

How to prepare the LCD Display before Wall-Mount Installation

Installation Manual _____	US
Manuel d'installation _____	FR
Manual de instalación _____	ES
安装说明书 _____	CS

To Customers

Sufficient expertise is required for installing this product. Be sure to subcontract the installation to Sony dealers or licensed contractors and pay special attention to safety during the installation. Sony is not liable for any damages or injury caused by mishandling or improper installation, or installing any other than the specified product. Your Statutory Rights (if any) are not affected.

WARNING

If the safety precautions are not observed or the product is used incorrectly, it may result in serious injury or fire.

This instruction manual shows the correct handling of the product and important precautions necessary to prevent accidents. It is your responsibility to read, thoroughly understand, and follow all instructions in this instruction manual. Failure to do so may result in serious personal injury or property damage, and may void the warranty. Keep this manual available for future reference.

To Sony dealers

Sufficient expertise is required for installing this product. Be sure to read this manual thoroughly to do the installation work safely. Sony is not liable for any damages or injury caused by mishandling or improper installation. Please give this manual to the customer after installation.

On Safety

Products by Sony are designed with safety in mind. If the products are used incorrectly, however, it may result in a serious injury through fire, electric shock, the product toppling over, or the product dropping. Be sure to observe the precautions for safety to prevent such accidents.

CAUTION

Specified products

The following products are subject to change without notice, may be out of stock, or discontinued.

Some models may not be available in certain regions.

LCD Display	FW-100BU40J FW-75BU30J FW-65BU30J FW-55BU30J FW-50BU35J FW-50BU30J FW-43BU35J FW-43BU30J FW-32BU30J FW-100BZ40J FW-75BZ30J FW-65BZ30J FW-55BZ30J FW-50BZ35J FW-50BZ30J FW-43BZ35J FW-43BZ30J FW-32BZ30J
-------------	--

WARNING

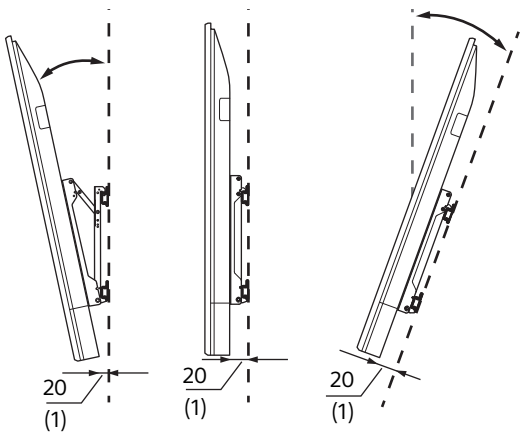
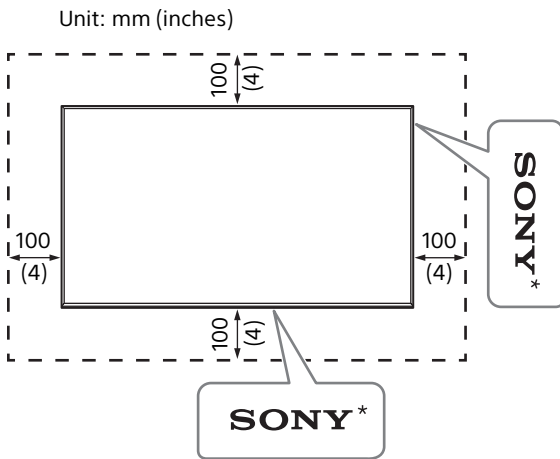
If the following precautions are not observed, serious injury or death through fire, electric shock, the product toppling over, or the product dropping can result.

Be sure to read thoroughly the all safety information described in the instruction manual.

Provide adequate clearances around the LCD Display.

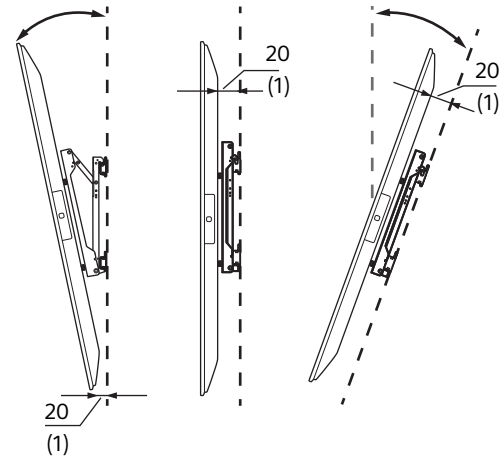
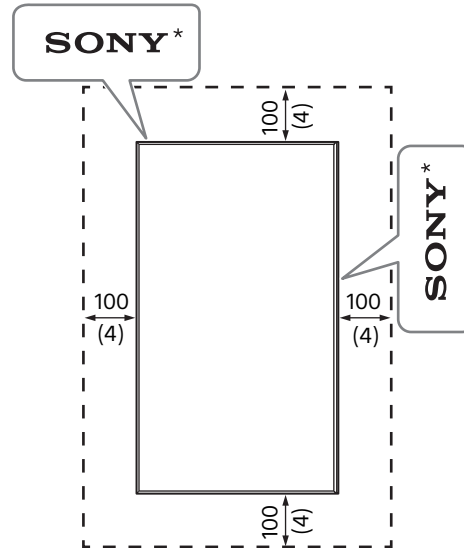
The following illustration shows how much space is required around the LCD Display. Be sure to install the LCD Display in the orientation shown in the following illustration.

Landscape



Portrait

Unit: mm (inches)



* Only on limited region/country/LCD Display model.



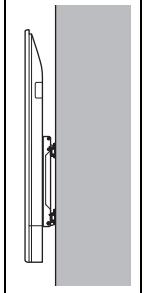
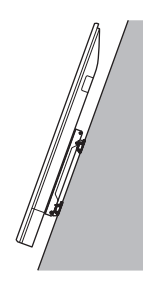
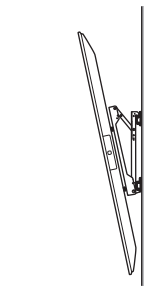
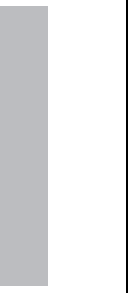
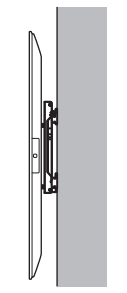
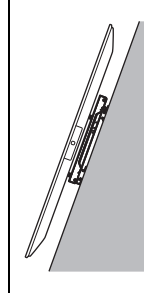
Do not block the ventilation holes of the LCD Display.

If you block the ventilation holes with tapes or other objects, heat builds up inside the LCD Display and may cause a fire.

Others

- If you cover the LED and its surroundings with tapes or other objects, the status of the LCD Display cannot be recognized and the remote control may not work.
- When carrying the LCD Display, hold it in landscape orientation, and take care not to drop it when installing. Do not apply excessive force to the LCD Display; otherwise, it may be deformed.

Installation Style

Model Name	Landscape				Portrait			
								
	~-20°	~-15°	0°	~+20°	~-20°	~-15°	0°	~+20°
FW-100BU40J / 100BZ40J	-	✓	✓	✓	-	✓	✓	✓
FW-75BU30J / 75BZ30J	✓	✓	✓	✓	-	✓	✓	✓*1
FW-65BU30J / 65BZ30J	✓	✓	✓	✓	-	✓*1	✓*2	✓*1
FW-55BU30J / 55BZ30J	✓	✓	✓	✓*1	-	✓*3	✓*4	✓*2
FW-50BU35J / 50BZ35J	✓	✓	✓	✓	✓	✓	✓	-
FW-50BU30J / 50BZ30J	✓	✓	✓*5	✓*2	✓	✓	✓	✓
FW-43BU35J / 43BZ35J	✓	✓	✓	✓	✓*3	✓*3	✓	-
FW-43BU30J / 43BZ30J	✓*1	✓*1	✓*5	✓*3	✓	✓	✓*2	✓*4
FW-32BU30J / 32BZ30J	✓	✓	✓	✓	✓	✓	✓	✓

*1 Operating temperature: 39 °C and lower

*2 Operating temperature: 38 °C and lower

*3 Operating temperature: 37 °C and lower

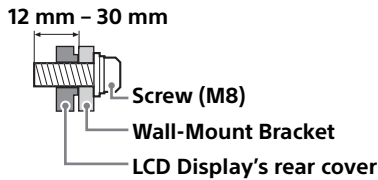
*4 Operating temperature: 36 °C and lower

*5 Operating temperature: 38 °C and lower or provide 300 mm clearance on top of the LCD Display

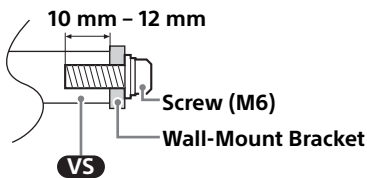
Landscape Style

The length of the screw for Wall-Mount Bracket differs depending on the Wall-Mount Bracket thickness. Please refer to below illustration.

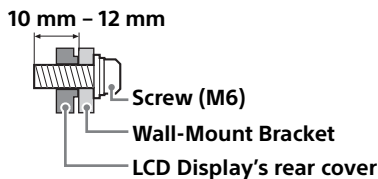
FW-100BU40J / 100BZ40J



FW-75BU30J / 65BU30J / 55BU30J / 50BU35J / 50BU30J / 43BU35J / 43BU30J / 75BZ30J / 65BZ30J / 55BZ30J / 50BZ35J / 50BZ30J / 43BZ35J / 43BZ30J

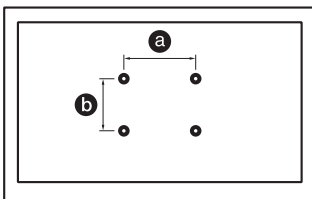


FW-32BU30J / 32BZ30J



Refer to the following table for wall-mount hole pattern.

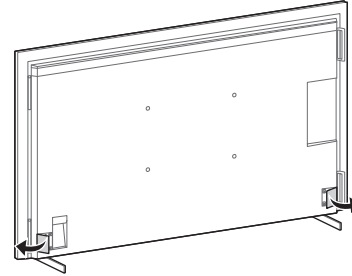
Model Name	Wall-mount hole pattern
FW-100BU40J / 100BZ40J	600 × 400 mm
FW-75BU30J / 75BZ30J / 65BU30J / 65BZ30J / 55BU30J / 55BZ30J	300 × 300 mm
FW-50BU35J / 50BZ35J / 50BU30J / 50BZ30J / 43BU35J / 43BZ35J / 43BU30J / 43BZ30J	200 × 200 mm
FW-32BU30J / 32BZ30J	100 × 200 mm



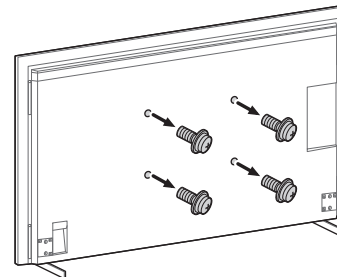
Be sure to store the unused screws and Table-Top Stand in a safe place until you are ready to attach the Table-Top Stand. Keep the screws away from small children.

FW-100BU40J / 100BZ40J

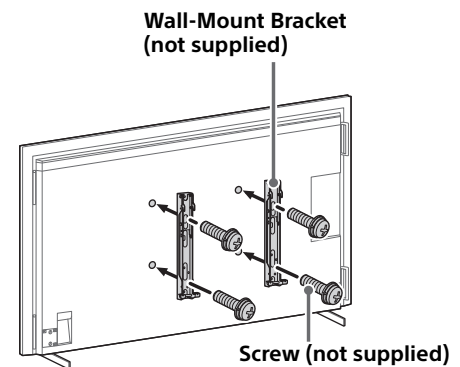
1 Remove the stand covers.



2 Remove the screws from the rear of the LCD Display.




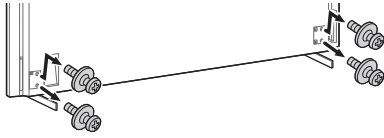
3 Attach the Wall-Mount Bracket (not supplied) using the screws (not supplied).



When using an electric screwdriver, set the torque setting to approximately 1.5 N·m {15 kgf·cm}. Do not lift the Mounting Hook before the screws (two screws each for left/right) are secured. This may distort the Mounting Hook or the LCD Display cabinet.

4 Detaching the Table-Top Stand from the LCD Display.

To detach the Table-Top Stand from the LCD Display, remove the screws .

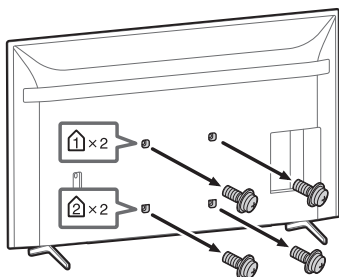


Note

- Be careful when lifting the LCD Display as the Table-Top Stand is detached, the Table-Top Stand may topple over and cause personal injury.
- Take care when removing the Table-Top Stand from the LCD Display to prevent it from falling over and damaging the surface that the LCD Display is sitting on.
- Do not remove the Table-Top Stand for any reason other than to install corresponding accessories on the LCD Display.
- Be sure the LCD Display is vertical before turning on. To avoid uneven picture uniformity do not power on the LCD Display with the panel facing down.
- When attaching the Table-Top Stand again, be sure to fasten the screws (previously removed) to the original holes on the rear of the LCD Display.

FW-75BU30J / 65BU30J / 55BU30J / 50BU35J / 50BU30J / 43BU35J / 43BU30J / 75BZ30J / 65BZ30J / 55BZ30J / 50BZ35J / 50BZ30J / 43BZ35J / 43BZ30J

1 Remove the screws from the rear of the LCD Display.

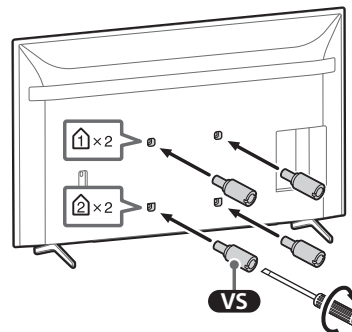
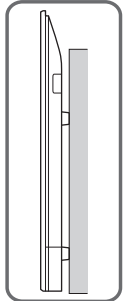
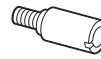


When using an electric screwdriver, set the torque setting to approximately 1.5 N·m {15 kgf·cm}. Do not lift the Mounting Hook before the screws (two screws each for left/right) are secured. This may distort the Mounting Hook or the LCD Display cabinet.

2 Attach the Wall-Mount Attachment (supplied with the LCD Display) to the rear of the LCD Display (to make it parallel with the wall).

Supplied with the LCD Display

VS Wall-Mount Attachment (4)



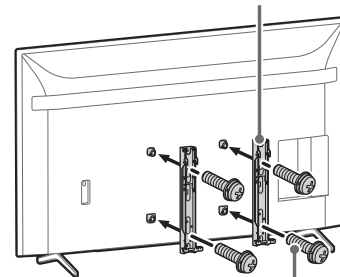
1.5 N·m
{15 kgf·cm}

Note

- Be sure to fasten the Wall-Mount Attachment when attaching them to the LCD Display. Use only a flat head screwdriver to install the Wall-Mount Attachment. Use of another tool might result in over torquing the Wall-Mount Attachment and damaging the LCD Display.

3 Attach the Wall-Mount Bracket (not supplied) using the screws (not supplied).

Wall-Mount Bracket (not supplied)



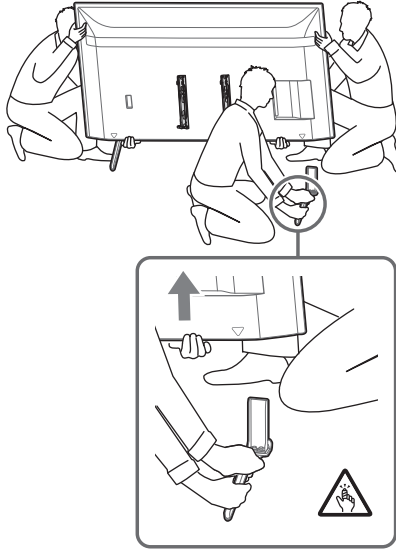
Screw (not supplied)

Note

- If using an electric screwdriver, set the torque at approximately 1.5 N·m {15 kgf·cm}.

4 Detaching the Table-Top Stand from the LCD Display.

- 1 Remove one side of the Table-Top Stand at a time. Firmly hold the Table-Top Stand securely with both hands while the other people lift the LCD Display.



- 2 Repeat the previous step and remove the other side of the Table-Top Stand.

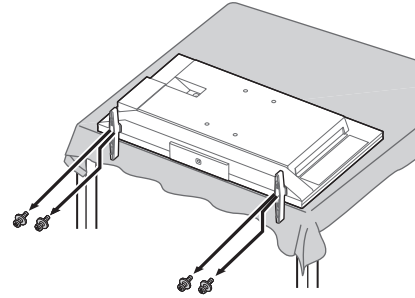
Note

- Three or more people are required to detach the Table-Top Stand.
- Be careful not to use excessive force while detaching the Table-Top Stand from the LCD Display as it may cause the LCD Display set to fall resulting in personal injury or physical damage to the LCD Display.
- Take care when handling the Table-Top Stand to prevent damage to the LCD Display.
- Be careful when lifting the LCD Display as the Table-Top Stand is detached, the Table-Top Stand may topple over and cause personal injury.
- Take care when removing the Table-Top Stand from the LCD Display to prevent it from falling over and damaging the surface that the LCD Display is sitting on.
- Do not remove the Table-Top Stand for any reason other than to install corresponding accessories on the LCD Display.
- Be sure the LCD Display is vertical before turning on. To avoid uneven picture uniformity do not power on the LCD Display with the LCD panel facing down.

FW-32BU30J / 32BZ30J only

1 Detaching the Table-Top Stand from the LCD Display.

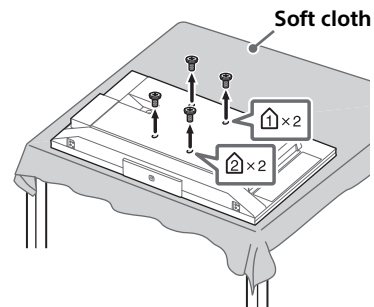
To detach the Table-Top Stand from the LCD Display, remove the screws.



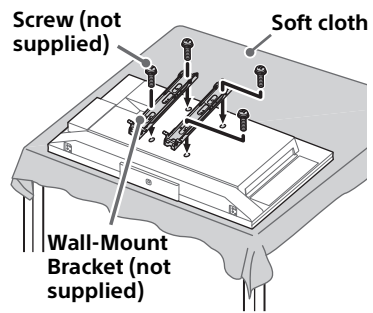
Note

- Do not remove the Table-Top Stand for any reason other than to install corresponding accessories on the LCD Display.
- Be sure the LCD Display is vertical before turning on. To avoid uneven picture uniformity do not power on the LCD Display with the LCD panel facing down.
- Place the LCD Display with its screen facing down on a level and stable surface covered with a thick and soft cloth when removing the Table-Top Stand from the LCD Display to prevent damaging the surface of the LCD display.

2 Remove the screws from the rear of the LCD Display.



3 Attach the Wall-Mount Bracket (not supplied) using the screws (not supplied).



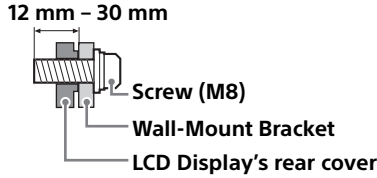
Note

- If using an electric screwdriver, set the torque at approximately 1.5 N·m {15 kgf·cm}.

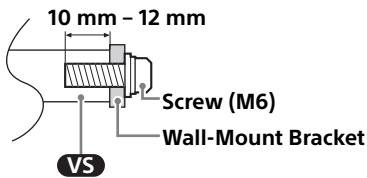
Portrait Style

The length of the screw for Wall-Mount Bracket differs depending on the Wall-Mount Bracket thickness. Please refer to below illustration.

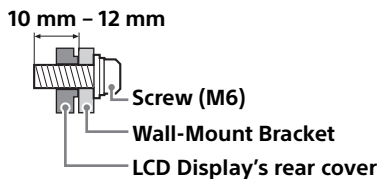
FW-100BU40J / 100BZ40J



FW-75BU30J / 65BU30J / 55BU30J / 50BU35J / 50BU30J / 43BU35J / 43BU30J / 75BZ30J / 65BZ30J / 55BZ30J / 50BZ35J / 50BZ30J / 43BZ35J / 43BZ30J

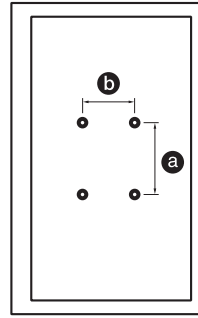


FW-32BU30J / 32BZ30J



Refer to the following table for wall-mount hole pattern.

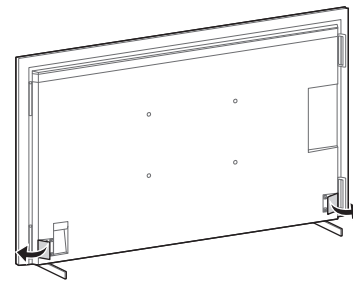
Model Name	Wall-mount hole pattern
FW-100BU40J / 100BZ40J	$a \times b$ 600 × 400 mm
FW-75BU30J / 75BZ30J / 65BU30J / 65BZ30J / 55BU30J / 55BZ30J	300 × 300 mm
FW-50BU35J / 50BZ35J / 50BU30J / 50BZ30J / 43BU35J / 43BZ35J / 43BU30J / 43BZ30J	200 × 200 mm
FW-32BU30J / 32BZ30J	100 × 200 mm



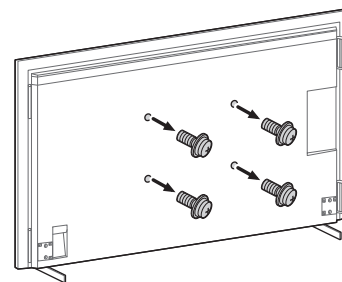
Be sure to store the unused screws and Table-Top Stand in a safe place until you are ready to attach the Table-Top Stand. Keep the screws away from small children.

FW-100BU40J / 100BZ40J

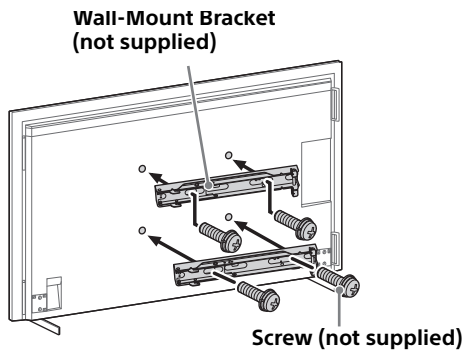
1 Remove the stand covers.



2 Remove the screws from the rear of the LCD Display.




3 Attach the Wall-Mount Bracket (not supplied) using the screws (not supplied).



When using an electric screwdriver, set the torque setting to approximately 1.5 N·m {15 kgf·cm}. Do not lift the Mounting Hook before the screws (two screws each for left/right) are secured. This may distort the Mounting Hook or the LCD Display cabinet.

4 Detaching the Table-Top Stand from the LCD Display.

To detach the Table-Top Stand from the LCD Display, remove the screws .

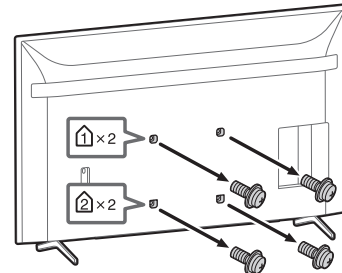


Note

- Be careful when lifting the LCD Display as the Table-Top Stand is detached, the Table-Top Stand may topple over and cause personal injury.
- Take care when removing the Table-Top Stand from the LCD Display to prevent it from falling over and damaging the surface that the LCD Display is sitting on.
- Do not remove the Table-Top Stand for any reason other than to install corresponding accessories on the LCD Display.
- Be sure the LCD Display is vertical before turning on. To avoid uneven picture uniformity do not power on the LCD Display with the panel facing down.
- When attaching the Table-Top Stand again, be sure to fasten the screws (previously removed) to the original holes on the rear of the LCD Display.

FW-75BU30J / 65BU30J / 55BU30J / 50BU35J / 50BU30J / 43BU35J / 43BU30J / 75BZ30J / 65BZ30J / 55BZ30J / 50BZ35J / 50BZ30J / 43BZ35J / 43BZ30J

1 Remove the screws from the rear of the LCD Display.

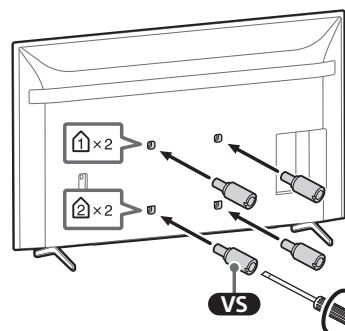
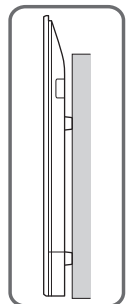
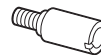


When using an electric screwdriver, set the torque setting to approximately 1.5 N·m {15 kgf·cm}. Do not lift the Mounting Hook before the screws (two screws each for left/right) are secured. This may distort the Mounting Hook or the LCD Display cabinet.

2 Attach the Wall-Mount Attachment (supplied with the LCD Display) to the rear of the LCD Display (to make it parallel with the wall).

Supplied with the LCD Display

VS Wall-Mount Attachment (4)

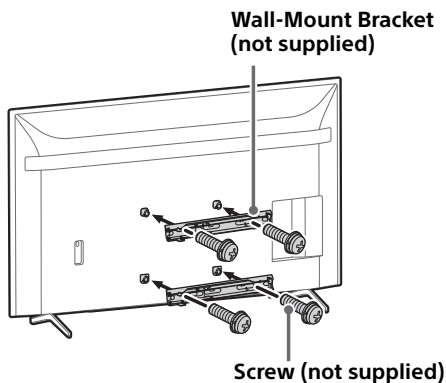


1.5 N·m
{15 kgf·cm}

Note

- Be sure to fasten the Wall-Mount Attachment when attaching them to the LCD Display. Use only a flat head screwdriver to install the Wall-Mount Attachment. Use of another tool might result in over torqueing the Wall-Mount Attachment and damaging the LCD Display.

3 Attach the Wall-Mount Bracket (not supplied) using the screws (not supplied).

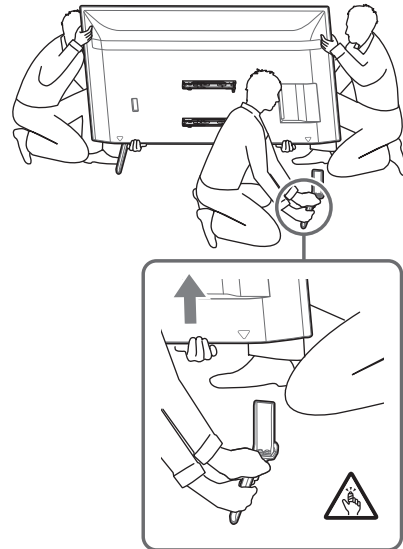


Note

- If using an electric screwdriver, set the torque at approximately 1.5 N·m {15 kgf·cm}.

4 Detaching the Table-Top Stand from the LCD Display.

- 1 Remove one side of the Table-Top Stand at a time. Firmly hold the Table-Top Stand securely with both hands while the other people lift up the LCD Display.



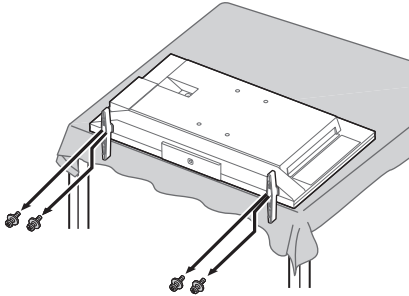
- 2 Repeat the previous step and remove the other side of the Table-Top Stand.

Note

- Three or more people are required to detach the Table-Top Stand.
- Be careful not to use excessive force while detaching the Table-Top Stand from the LCD Display as it may cause the LCD Display set to fall resulting in personal injury or physical damage to the LCD Display.
- Take care when handling the Table-Top Stand to prevent damage to the LCD Display.
- Be careful when lifting the LCD Display as the Table-Top Stand is detached, the Table-Top Stand may topple over and cause personal injury.
- Take care when removing the Table-Top Stand from the LCD Display to prevent it from falling over and damaging the surface that the LCD Display is sitting on.
- Do not remove the Table-Top Stand for any reason other than to install corresponding accessories on the LCD Display.
- Be sure the LCD Display is vertical before turning on. To avoid uneven picture uniformity do not power on the LCD Display with the LCD panel facing down.

1 Detaching the Table-Top Stand from the LCD Display.

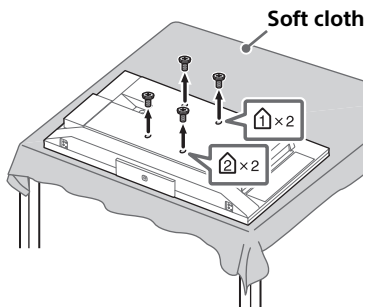
To detach the Table-Top Stand from the LCD Display, remove the screws.



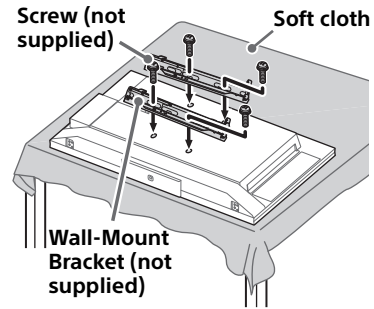
Note

- Do not remove the Table-Top Stand for any reason other than to install corresponding accessories on the LCD Display.
- Be sure the LCD Display is vertical before turning on. To avoid uneven picture uniformity do not power on the LCD Display with the LCD panel facing down.
- Place the LCD Display with its screen facing down on a level and stable surface covered with a thick and soft cloth when removing the Table-Top Stand from the LCD Display to prevent damaging the surface of the LCD display.

2 Remove the screws from the rear of the LCD Display.



3 Attach the Wall-Mount Bracket (not supplied) using the screws (not supplied).



Note

- If using an electric screwdriver, set the torque at approximately 1.5 N·m {15 kgf·cm}.

À l'attention des clients

L'installation de ce produit nécessite une certaine compétence. Veillez à confier l'installation à des détaillants Sony ou à des installateurs agréés et portez une attention particulière aux consignes de sécurité pendant l'installation. Sony n'est pas responsable des dommages ou blessures provoquées par une mauvaise manipulation ou une mauvaise installation, ou par l'installation d'autres produits que ceux précisés. Vos droits légaux (le cas échéant) ne sont pas affectés.

AVERTISSEMENT

Le non-respect des consignes de sécurité ou l'utilisation incorrecte de ce produit peut provoquer un incendie ou des blessures graves.

Ce mode d'emploi indique comment manipuler le produit correctement et contient des précautions essentielles à prendre pour éviter tout accident. Lisez attentivement ce mode d'emploi et veillez à utiliser le produit correctement. Dans le cas contraire, vous risquez de vous blesser gravement ou de causer des dommages matériels et d'annuler la garantie. Conservez ce mode d'emploi pour toute référence ultérieure.

Aux détaillants Sony

L'installation de ce produit nécessite une certaine compétence. Lisez ce mode d'emploi attentivement afin de procéder à l'installation en toute sécurité. Sony n'est pas responsable des dommages ou blessures provoquées par une mauvaise manipulation ou une mauvaise installation. Une fois l'installation terminée, veuillez remettre ce manuel d'installation au client.

Sécurité

Les produits Sony sont conçus pour vous offrir le maximum de sécurité. Toutefois, si les produits sont utilisés de façon incorrecte, ils peuvent entraîner des blessures graves en provoquant un incendie ou l'électrocution, ou encore la chute de l'appareil hors de son support. Veillez à observer les consignes de sécurité préconisées pour éviter de tels accidents.

ATTENTION

Produits spécifiés

Les produits suivants sont susceptibles d'être modifiés sans avis préalable, de ne plus être en stock ou de ne plus être fabriqués.

Certains modèles ne sont pas disponibles dans toutes les régions.

Écran LCD	FW-100BU40J FW-75BU30J FW-65BU30J FW-55BU30J FW-50BU35J FW-50BU30J FW-43BU35J FW-43BU30J FW-32BU30J FW-100BZ40J FW-75BZ30J FW-65BZ30J FW-55BZ30J FW-50BZ35J FW-50BZ30J FW-43BZ35J FW-43BZ30J FW-32BZ30J
-----------	--

AVERTISSEMENT

Le non-respect des consignes suivantes peut être fatal ou entraîner des blessures graves en provoquant un incendie ou une électrocution, ou encore le basculement ou la chute de l'appareil.

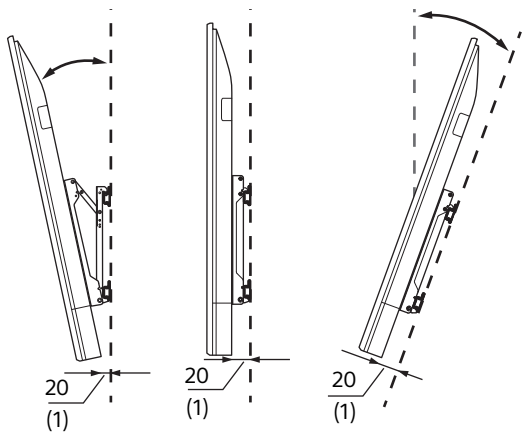
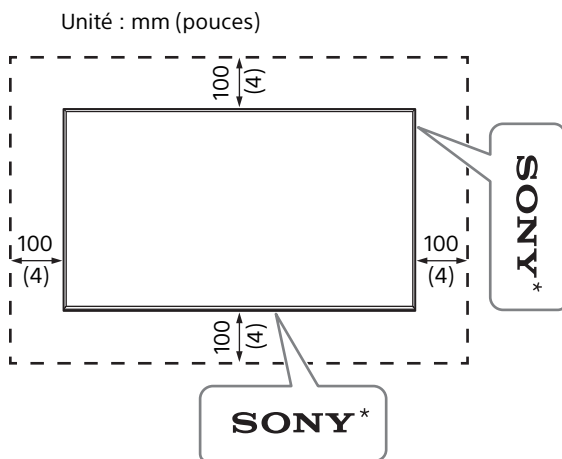
Veillez à lire toutes les consignes de sécurité indiquées dans le mode d'emploi.

Prévoyez un espace suffisant autour de l'écran LCD.

L'illustration suivante vous indique l'espace requis autour de l'écran LCD.

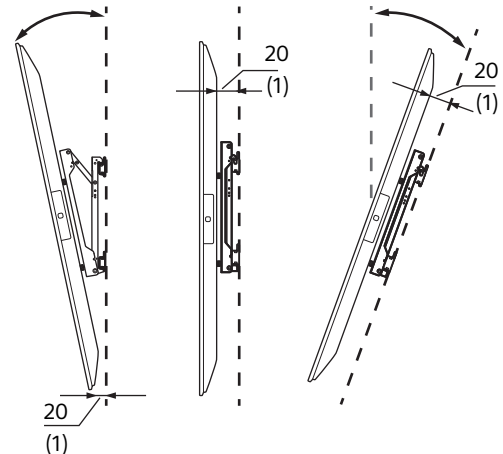
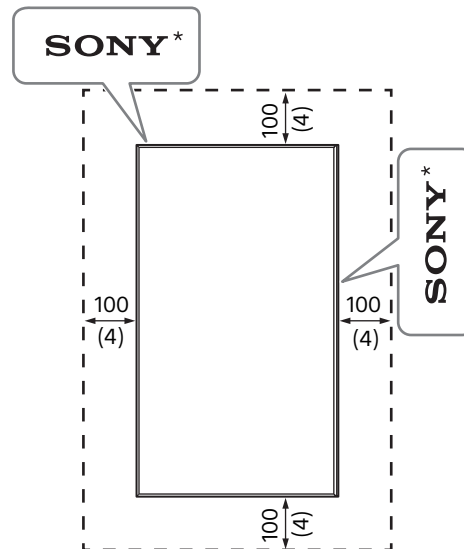
Assurez-vous d'installer l'écran LCD dans l'orientation indiquée dans l'illustration suivante.

Paysage



Portrait

Unité : mm (pouces)



* Uniquement pour certaines régions/pays/modèles d'écran LCD limités.



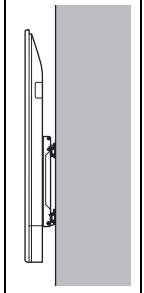
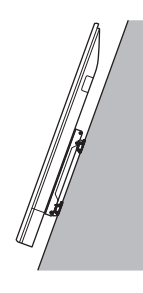
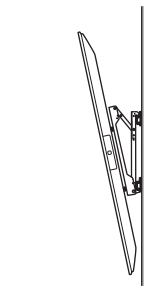
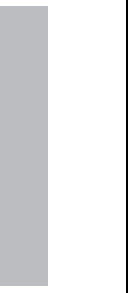
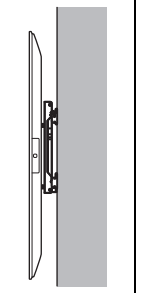
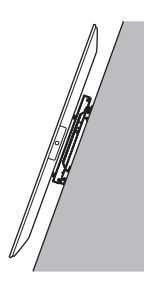
N'obstruez pas les orifices de ventilation de l'écran LCD.

Si vous obstruez les orifices de ventilation avec des rubans adhésifs ou d'autres objets, l'écran LCD pourrait surchauffer et provoquer un incendie.

Autres

- Si vous couvrez la DEL et la zone à proximité avec des rubans adhésifs ou d'autres objets, l'état de l'écran LCD ne pourra pas être reconnu et la télécommande risque de ne pas fonctionner.
- Lors du déplacement de l'écran LCD, tenez-le dans l'orientation paysage et veillez à ne pas le laisser tomber pendant l'installation. N'exercez aucune pression excessive sur l'écran LCD, car cela pourrait le déformer.

Style d'installation

N° de modèle	Paysage				Portrait			
								
	~-20°	~-15°	0°	~+20°	~-20°	~-15°	0°	~+20°
FW-100BU40J / 100BZ40J	-	✓	✓	✓	-	✓	✓	✓
FW-75BU30J / 75BZ30J	✓	✓	✓	✓	-	✓	✓	✓*1
FW-65BU30J / 65BZ30J	✓	✓	✓	✓	-	✓*1	✓*2	✓*1
FW-55BU30J / 55BZ30J	✓	✓	✓	✓*1	-	✓*3	✓*4	✓*2
FW-50BU35J / 50BZ35J	✓	✓	✓	✓	✓	✓	✓	-
FW-50BU30J / 50BZ30J	✓	✓	✓*5	✓*2	✓	✓	✓	✓
FW-43BU35J / 43BZ35J	✓	✓	✓	✓	✓*3	✓*3	✓	-
FW-43BU30J / 43BZ30J	✓*1	✓*1	✓*5	✓*3	✓	✓	✓*2	✓*4
FW-32BU30J / 32BZ30J	✓	✓	✓	✓	✓	✓	✓	✓

*1 Température de fonctionnement : 39 °C et inférieure

*2 Température de fonctionnement : 38 °C et inférieure

*3 Température de fonctionnement : 37 °C et inférieure

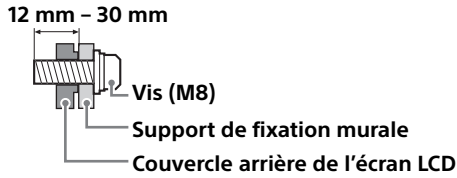
*4 Température de fonctionnement : 36 °C et inférieure

*5 Température de fonctionnement : 38 °C et inférieure ou prévoir un espace de 300 mm au-dessus de l'écran LCD

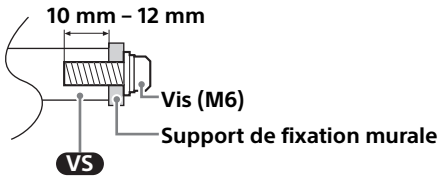
Style paysage

La longueur des vis pour le support de fixation murale diffère selon l'épaisseur du support de fixation murale. Reportez-vous à l'illustration ci-dessous.

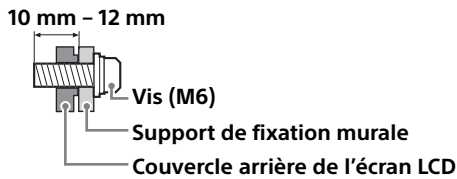
FW-100BU40J / 100BZ40J



FW-75BU30J / 65BU30J / 55BU30J / 50BU35J / 50BU30J / 43BU35J / 43BU30J / 75BZ30J / 65BZ30J / 55BZ30J / 50BZ35J / 50BZ30J / 43BZ35J / 43BZ30J

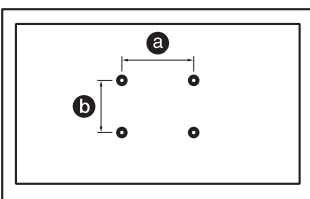


FW-32BU30J / 32BZ30J



Reportez-vous au tableau suivant pour le schéma des trous pour la fixation murale.

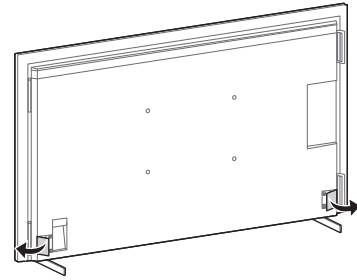
Nom du modèle	schéma des trous pour la fixation murale
	$a \times b$
FW-100BU40J / 100BZ40J	600 × 400 mm
FW-75BU30J / 75BZ30J / 65BU30J / 65BZ30J / 55BU30J / 55BZ30J	300 × 300 mm
FW-50BU35J / 50BZ35J / 50BU30J / 50BZ30J / 43BU35J / 43BZ35J / 43BU30J / 43BZ30J	200 × 200 mm
FW-32BU30J / 32BZ30J	100 × 200 mm



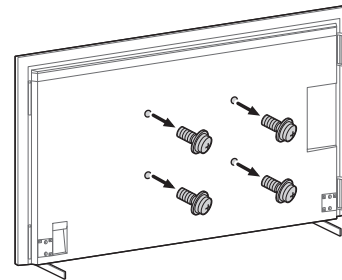
Assurez-vous de ranger les vis non utilisées et le support de table dans un endroit sûr jusqu'à ce que vous soyez prêt à fixer le support de table. Gardez les vis hors de la portée des jeunes enfants.

FW-100BU40J / 100BZ40J

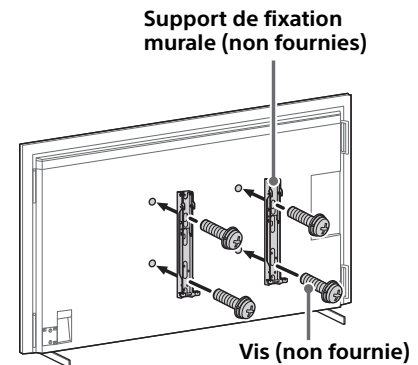
1 Retirez les couvercles du support.



2 Retirez les vis situées à l'arrière de l'écran LCD.




3 Fixez le support de fixation murale (non fourni) à l'aide des vis (non fournies).



Si vous utilisez un tournevis électrique, réglez son couple à 1,5N·m {15kgf·cm} environ.
Ne soulevez pas le crochet de montage avant d'avoir convenablement serré les vis (deux vis de chacun des côtés gauche/droit). Vous risqueriez de déformer le crochet de montage ou le boîtier de l'écran LCD.

Si vous utilisez un tournevis électrique, réglez son couple à 1,5N·m {15kgf·cm} environ.
Ne soulevez pas le crochet de montage avant d'avoir convenablement serré les vis (deux vis de chacun des côtés gauche/droit). Vous risqueriez de déformer le crochet de montage ou le boîtier de l'écran LCD.

4 Démontez le support de table de l'écran LCD.

Démontez le support de table de l'écran LCD en retirant d'abord les vis .

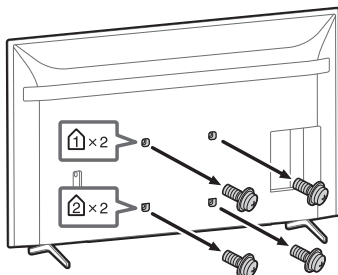


Remarque

- Soulevez l'écran LCD avec prudence, car le support de table qui se démonte pourrait basculer et provoquer des blessures.
- Lors du retrait du support de table de l'écran LCD, prenez soin d'éviter de le faire tomber et d'endommager la surface sur laquelle est posé l'écran LCD.
- N'enlevez pas le support de table pour aucune raison autre que l'installation des accessoires correspondants sur l'écran LCD.
- Assurez-vous que l'écran LCD est en position verticale avant de l'allumer. Pour éviter des irrégularités de l'uniformité de l'image, ne pas allumer l'écran LCD avec l'écran vers le bas.
- Pour fixer de nouveau le support de table, veillez à utiliser les vis (que vous avez enlevées précédemment) dans les mêmes orifices à l'arrière de l'écran LCD.

FW-75BU30J / 65BU30J / 55BU30J / 50BU35J / 50BU30J / 43BU35J / 43BU30J / 75BZ30J / 65BZ30J / 55BZ30J / 50BZ35J / 50BZ30J / 43BZ35J / 43BZ30J

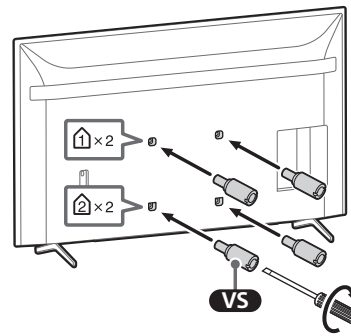
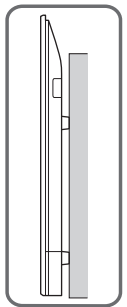
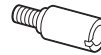
1 Retirez les vis situées à l'arrière de l'écran LCD.



2 Installez l'accessoire de fixation murale (fourni avec l'écran LCD) à l'arrière de l'écran LCD (de manière à ce qu'il soit parallèle au mur).

Fourni avec l'écran LCD

VS Accessoire de fixation murale (4)

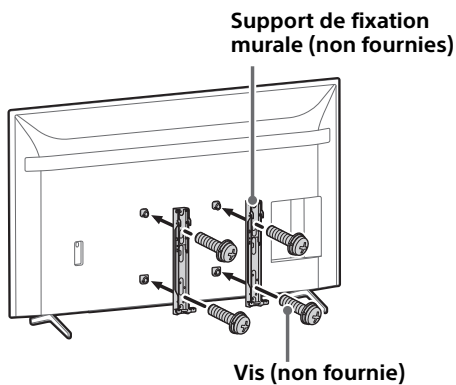


1,5 N·m
{15 kgf·cm}

Remarque

- Assurez-vous de bien serrer l'accessoire de fixation murale lors de son installation sur l'écran LCD. Utilisez uniquement un tournevis plat pour installer l'accessoire de fixation murale. L'utilisation d'un autre outil pourrait entraîner un serrage excessif de l'accessoire de fixation murale et endommager l'écran LCD.

3 Fixez le support de fixation murale (non fourni) à l'aide des vis (non fournies).

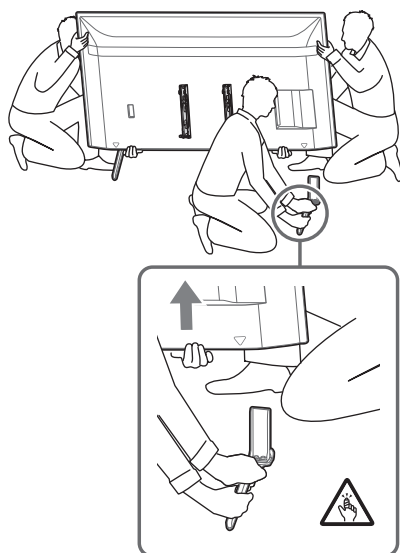


Remarque

- Si vous utilisez une visseuse électrique, réglez le couple à environ 1,5 N·m {15 kgf·cm}.

4 Démontez le support de table de l'écran LCD.

- 1 Retirez un seul côté du support de table à la fois. Maintenez fermement le support de table avec les deux mains pendant que l'autre personne soulève l'écran LCD.



- 2 Répétez les étapes précédentes et retirez l'autre côté du support de table.

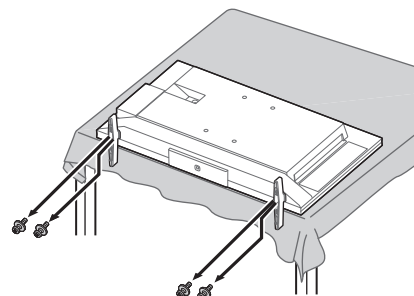
Remarque

- Trois personnes ou plus sont nécessaires pour démonter le support de table.
- Veillez à ne pas utiliser une force excessive pour démonter le support de table de l'écran LCD, car l'écran LCD pourrait tomber et provoquer des blessures ou endommager l'écran LCD.
- Lors de la manipulation du support de table, prenez soin d'éviter d'endommager l'écran LCD.
- Soulevez l'écran LCD avec prudence, car le support de table qui se démonte pourrait basculer et provoquer des blessures.
- Lors du retrait du support de table de l'écran LCD, prenez soin d'éviter de le faire tomber et d'endommager la surface sur laquelle est posé l'écran LCD.
- N'enlevez pas le support de table pour aucune raison autre que l'installation des accessoires correspondants sur l'écran LCD.
- Assurez-vous que l'écran LCD est en position verticale avant de l'allumer. Pour éviter des irrégularités de l'uniformité de l'image, ne pas allumer l'écran LCD avec l'écran ACL vers le bas.

FW-32BU30J / 32BZ30J uniquement

1 Démontez le support de table de l'écran LCD.

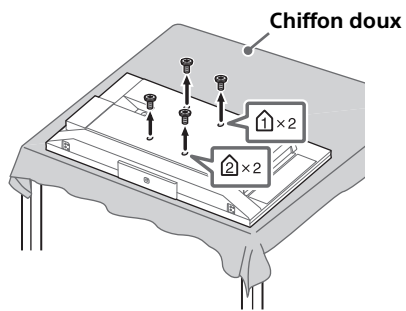
Démontez le support de table de l'écran LCD en retirant d'abord les vis.



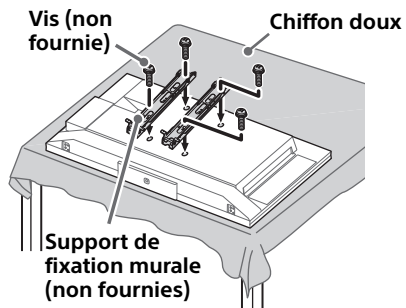
Remarque

- N'enlevez pas le support de table pour aucune raison autre que l'installation des accessoires correspondants sur l'écran LCD.
- Assurez-vous que l'écran LCD est en position verticale avant de l'allumer. Pour éviter des irrégularités de l'uniformité de l'image, ne pas allumer l'écran LCD avec l'écran ACL vers le bas.
- Lors du retrait du support de table de l'écran LCD, positionnez l'écran LCD face en bas sur une surface horizontale et stable recouverte d'un linge épais et doux afin d'éviter d'endommager la surface de l'écran LCD.

2 Retirez les vis situées à l'arrière de l'écran LCD.



3 Fixez le support de fixation murale (non fourni) à l'aide des vis (non fournies).



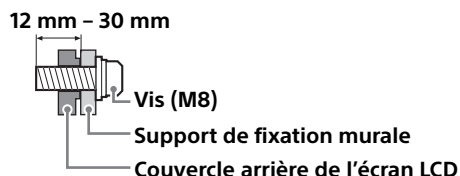
Remarque

- Si vous utilisez une visseuse électrique, réglez le couple à environ 1,5 N·m {15 kgf·cm}.

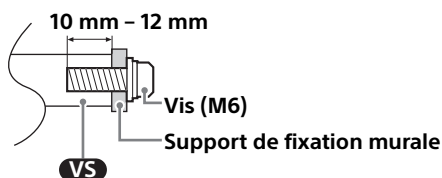
Style portrait

La longueur des vis pour le support de fixation murale diffère selon l'épaisseur du support de fixation murale. Reportez-vous à l'illustration ci-dessous.

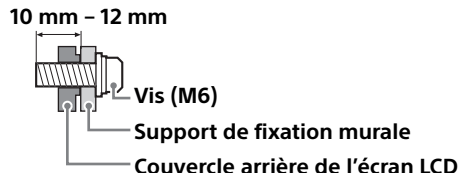
FW-100BU40J / 100BZ40J



FW-75BU30J / 65BU30J / 55BU30J / 50BU35J / 50BU30J / 43BU35J / 43BU30J / 75BZ30J / 65BZ30J / 55BZ30J / 50BZ35J / 50BZ30J / 43BZ35J / 43BZ30J

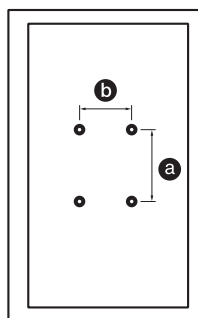


FW-32BU30J / 32BZ30J



Reportez-vous au tableau suivant pour le schéma des trous pour la fixation murale.

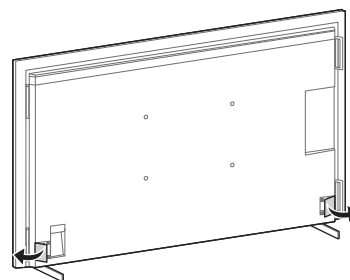
Nom du modèle	schéma des trous pour la fixation murale
FW-100BU40J / 100BZ40J	$a \times b$ 600 × 400 mm
FW-75BU30J / 75BZ30J / 65BU30J / 65BZ30J / 55BU30J / 55BZ30J	300 × 300 mm
FW-50BU35J / 50BZ35J / 50BU30J / 50BZ30J / 43BU35J / 43BZ35J / 43BU30J / 43BZ30J	200 × 200 mm
FW-32BU30J / 32BZ30J	100 × 200 mm



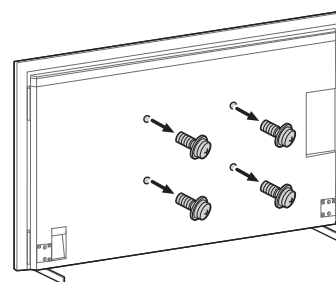
Assurez-vous de ranger les vis non utilisées et le support de table dans un endroit sûr jusqu'à ce que vous soyez prêt à fixer le support de table. Gardez les vis hors de la portée des jeunes enfants.

FW-100BU40J / 100BZ40J

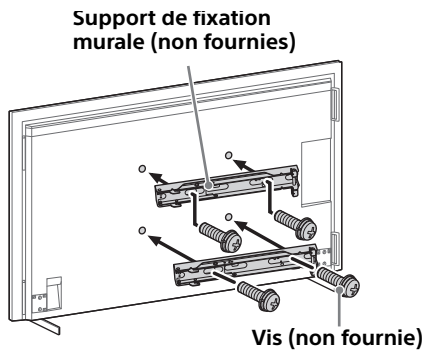
1 Retirez les couvercles du support.



2 Retirez les vis situées à l'arrière de l'écran LCD.



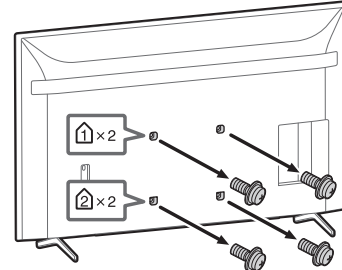
3 Fixez le support de fixation murale (non fourni) à l'aide des vis (non fournies).



Si vous utilisez un tournevis électrique, réglez son couple à 1,5N·m {15kgf·cm} environ. Ne soulevez pas le crochet de montage avant d'avoir convenablement serré les vis (deux vis de chacun des côtés gauche/droit). Vous risqueriez de déformer le crochet de montage ou le boîtier de l'écran LCD.


FW-75BU30J / 65BU30J / 55BU30J / 50BU35J / 50BU30J / 43BU35J / 43BU30J / 75BZ30J / 65BZ30J / 55BZ30J / 50BZ35J / 50BZ30J / 43BZ35J / 43BZ30J

1 Retirez les vis situées à l'arrière de l'écran LCD.



Si vous utilisez un tournevis électrique, réglez son couple à 1,5N·m {15kgf·cm} environ. Ne soulevez pas le crochet de montage avant d'avoir convenablement serré les vis (deux vis de chacun des côtés gauche/droit). Vous risqueriez de déformer le crochet de montage ou le boîtier de l'écran LCD.

4 Démontez le support de table de l'écran LCD.

Démontez le support de table de l'écran LCD en retirant d'abord les vis .



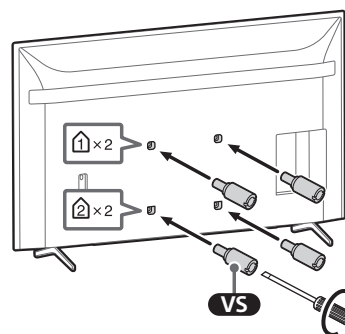
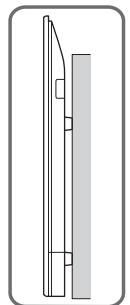
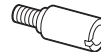
Remarque

- Soulevez l'écran LCD avec prudence, car le support de table qui se démonte pourrait basculer et provoquer des blessures.
- Lors du retrait du support de table de l'écran LCD, prenez soin d'éviter de le faire tomber et d'endommager la surface sur laquelle est posé l'écran LCD.
- N'enlevez pas le support de table pour aucune raison autre que l'installation des accessoires correspondants sur l'écran LCD.
- Assurez-vous que l'écran LCD est en position verticale avant de l'allumer. Pour éviter des irrégularités de l'uniformité de l'image, ne pas allumer l'écran LCD avec l'écran vers le bas.
- Pour fixer de nouveau le support de table, veillez à utiliser les vis (que vous avez enlevées précédemment) dans les mêmes orifices à l'arrière de l'écran LCD.

2 Installez l'accessoire de fixation murale (fourni avec l'écran LCD) à l'arrière de l'écran LCD (de manière à ce qu'il soit parallèle au mur).

Fourni avec l'écran LCD

VS Accessoire de fixation murale (4)

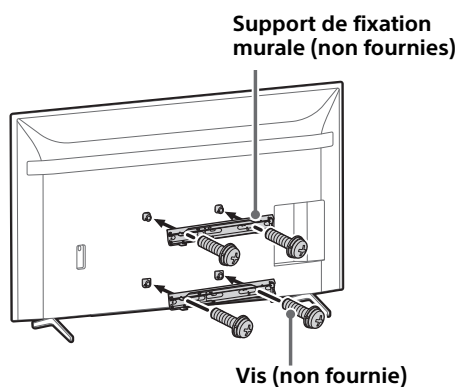


1,5 N·m
{15 kgf·cm}

Remarque

- Assurez-vous de bien serrer l'accessoire de fixation murale lors de son installation sur l'écran LCD. Utilisez uniquement un tournevis plat pour installer l'accessoire de fixation murale. L'utilisation d'un autre outil pourrait entraîner un serrage excessif de l'accessoire de fixation murale et endommager l'écran LCD.

3 Fixez le support de fixation murale (non fourni) à l'aide des vis (non fournies).

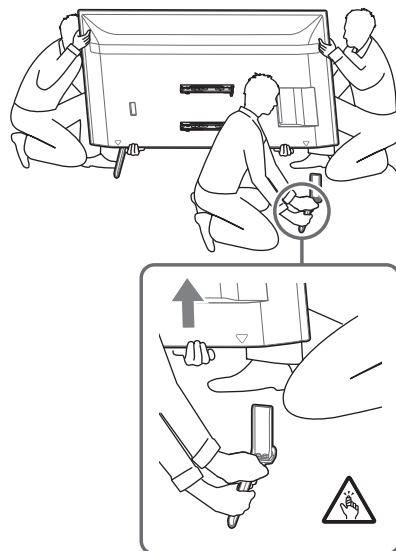


Remarque

- Si vous utilisez une visseuse électrique, réglez le couple à environ 1,5 N·m {15 kgf·cm}.

4 Démontez le support de table de l'écran LCD.

- Retirez un seul côté du support de table à la fois. Maintenez fermement le support de table avec les deux mains pendant que l'autre personne soulève l'écran LCD.



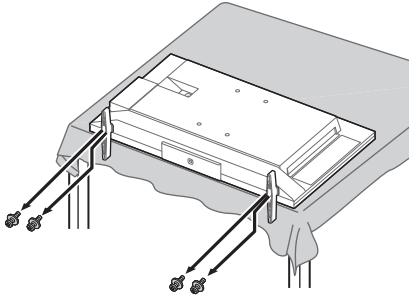
- Répétez les étapes précédentes et retirez l'autre côté du support de table.

Remarque

- Trois personnes ou plus sont nécessaires pour démonter le support de table.
- Veillez à ne pas utiliser une force excessive pour démonter le support de table de l'écran LCD, car l'écran LCD pourrait tomber et provoquer des blessures ou endommager l'écran LCD.
- Lors de la manipulation du support de table, prenez soin d'éviter d'endommager l'écran LCD.
- Soulevez l'écran LCD avec prudence, car le support de table qui se démonte pourrait basculer et provoquer des blessures.
- Lors du retrait du support de table de l'écran LCD, prenez soin d'éviter de le faire tomber et d'endommager la surface sur laquelle est posé l'écran LCD.
- N'enlevez pas le support de table pour aucune raison autre que l'installation des accessoires correspondants sur l'écran LCD.
- Assurez-vous que l'écran LCD est en position verticale avant de l'allumer. Pour éviter des irrégularités de l'uniformité de l'image, ne pas allumer l'écran LCD avec l'écran ACL vers le bas.

1 Démontez le support de table de l'écran LCD.

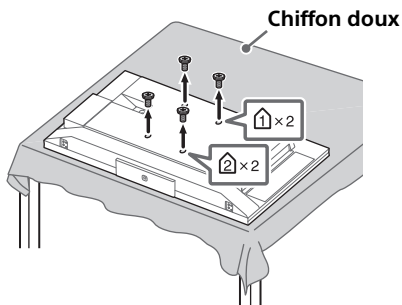
Démontez le support de table de l'écran LCD en retirant d'abord les vis.



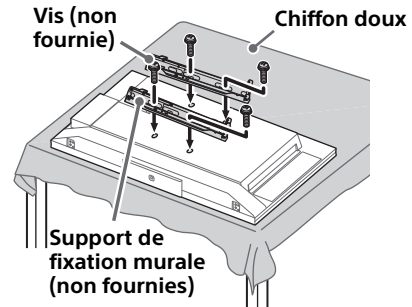
Remarque

- N'enlevez pas le support de table pour aucune raison autre que l'installation des accessoires correspondants sur l'écran LCD.
- Assurez-vous que l'écran LCD est en position verticale avant de l'allumer. Pour éviter des irrégularités de l'uniformité de l'image, ne pas allumer l'écran LCD avec l'écran ACL vers le bas.
- Lors du retrait du support de table de l'écran LCD, positionnez l'écran LCD face en bas sur une surface horizontale et stable recouverte d'un linge épais et doux afin d'éviter d'endommager la surface de l'écran LCD.

2 Retirez les vis situées à l'arrière de l'écran LCD.



3 Fixez le support de fixation murale (non fourni) à l'aide des vis (non fournies).



Remarque

- Si vous utilisez une visseuse électrique, réglez le couple à environ 1,5 N·m {15 kgf·cm}.

Información para clientes

Para la instalación de este producto, se requieren conocimientos y experiencia suficientes. Asegúrese de contratar la instalación a un distribuidor o a un contratista Sony autorizado y preste especial atención a la seguridad durante la instalación. Sony no será responsable de daños o lesiones ocasionadas por el manejo indebido o instalación incorrecta ni de la instalación de cualquier otro producto distinto al especificado. Sus derechos legales (si existe alguno) no son afectados.

ADVERTENCIA

Si no se siguen las medidas de seguridad o si el producto se utiliza incorrectamente, podrían producirse lesiones graves o un incendio.

Este manual de instrucciones muestra la manera correcta de manipular el producto, así como precauciones importantes necesarias para evitar accidentes. Es su responsabilidad leer detenidamente, comprender y seguir todas las instrucciones descritas en este manual. De lo contrario, podrían producirse lesiones personales graves o daños materiales, y se anularía la garantía. Conserve este manual para poder consultarlo en el futuro.

Para distribuidores de Sony

Para la instalación de este producto, se requieren conocimientos y experiencia suficientes. Lea detenidamente este manual para realizar la instalación de manera segura. Sony no será responsable de daños o lesiones ocasionadas por el manejo indebido o instalación incorrecta. Entregue este manual al cliente después de la instalación.

Seguridad

Los productos de Sony están diseñados pensando en la seguridad. Sin embargo, si los productos se utilizan incorrectamente, pueden producirse lesiones graves a causa de un incendio o una descarga, o al volcarse o caerse el producto. Para evitar tales accidentes, asegúrese de observar las precauciones de seguridad.

PRECAUCIÓN

Productos especificados

Los siguientes productos están sujetos a cambios sin previo aviso, podrían estar agotados o haberse dejado de fabricar.

Es posible que algunos modelos no se encuentren disponibles en algunas regiones.

Pantalla LCD	FW-100BU40J FW-75BU30J FW-65BU30J FW-55BU30J FW-50BU35J FW-50BU30J FW-43BU35J FW-43BU30J FW-32BU30J FW-100BZ40J FW-75BZ30J FW-65BZ30J FW-55BZ30J FW-50BZ35J FW-50BZ30J FW-43BZ35J FW-43BZ30J FW-32BZ30J
--------------	--

ADVERTENCIA

Si no se tienen en cuenta las siguientes precauciones, pueden producirse lesiones graves o incluso la muerte a causa de un incendio o una descarga eléctrica, o al volcarse el producto.

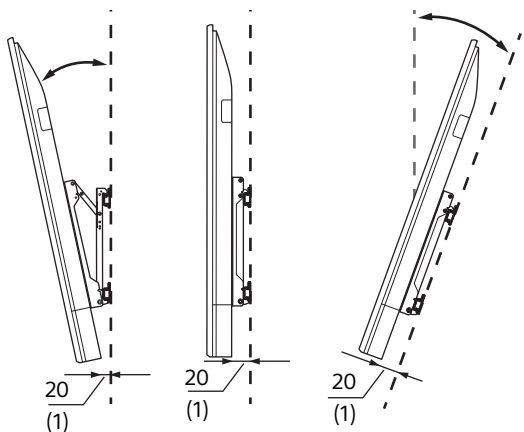
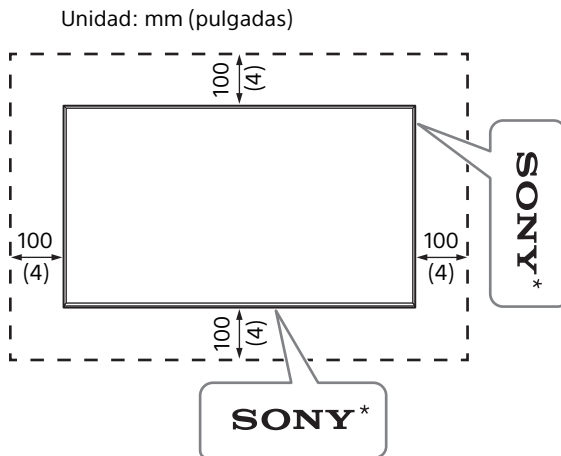
Asegúrese de leer detenidamente toda la información de seguridad descrita en el manual de instrucciones.

Deje espacio suficiente alrededor de la pantalla LCD.

La siguiente ilustración muestra el espacio requerido alrededor de la pantalla LCD.

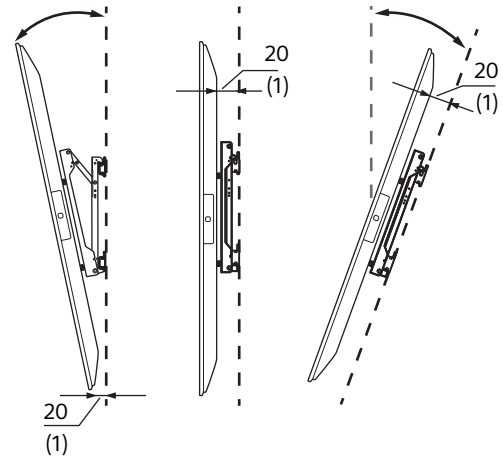
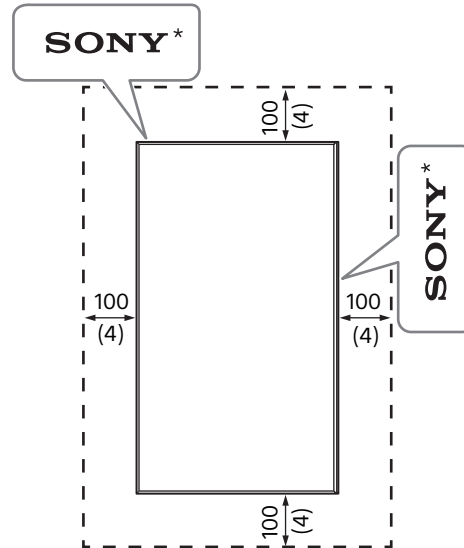
Asegúrese de instalar la pantalla LCD en la orientación que se muestra en la siguiente ilustración.

Horizontal



Vertical

Unidad: mm (pulgadas)



* Solo en ciertas regiones/países/modelos de pantalla LCD.

No bloquee los huecos de ventilación de la pantalla LCD.

Si bloquea los huecos de ventilación con cintas adhesivas u otros objetos, se acumulará calor dentro de la pantalla LCD y esto podrá provocar un incendio.

Otras

- Si cubre el LED y sus alrededores con cintas adhesivas u otros objetos, el estado de la pantalla LCD no podrá ser reconocido y es posible que el control remoto no funcione.
- Cuando transporte la pantalla LCD, manténgala en posición horizontal y cuide que no se caiga cuando la instale. No aplique fuerza excesiva a la pantalla LCD; si no, podrá deformarse.

Estilo de instalación

Nombre de modelo	Horizontal				Vertical			
	~-20°	~-15°	0°	~+20°	~-20°	~-15°	0°	~+20°
FW-100BU40J / 100BZ40J	-	✓	✓	✓	-	✓	✓	✓
FW-75BU30J / 75BZ30J	✓	✓	✓	✓	-	✓	✓	✓*1
FW-65BU30J / 65BZ30J	✓	✓	✓	✓	-	✓*1	✓*2	✓*1
FW-55BU30J / 55BZ30J	✓	✓	✓	✓*1	-	✓*3	✓*4	✓*2
FW-50BU35J / 50BZ35J	✓	✓	✓	✓	✓	✓	✓	-
FW-50BU30J / 50BZ30J	✓	✓	✓*5	✓*2	✓	✓	✓	✓
FW-43BU35J / 43BZ35J	✓	✓	✓	✓	✓*3	✓*3	✓	-
FW-43BU30J / 43BZ30J	✓*1	✓*1	✓*5	✓*3	✓	✓	✓*2	✓*4
FW-32BU30J / 32BZ30J	✓	✓	✓	✓	✓	✓	✓	✓

*1 Temperatura de funcionamiento: 39 °C e inferior

*2 Temperatura de funcionamiento: 38 °C e inferior

*3 Temperatura de funcionamiento: 37 °C e inferior

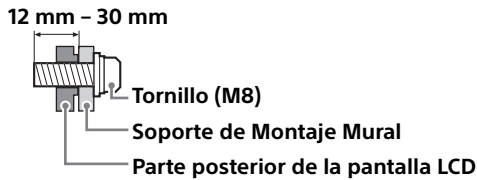
*4 Temperatura de funcionamiento: 36 °C e inferior

*5 Temperatura de funcionamiento: 38 °C e inferior o proporcione un espacio de 300 mm en la parte superior de la pantalla LCD

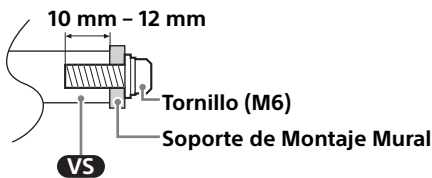
Estilo horizontal

La longitud del tornillo para el soporte de montaje mural varía dependiendo del espesor del soporte de montaje mural. Consulte la siguiente ilustración.

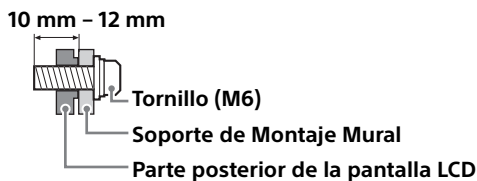
FW-100BU40J / 100BZ40J



FW-75BU30J / 65BU30J / 55BU30J / 50BU35J / 50BU30J / 43BU35J / 43BU30J / 75BZ30J / 65BZ30J / 55BZ30J / 50BZ35J / 50BZ30J / 43BZ35J / 43BZ30J

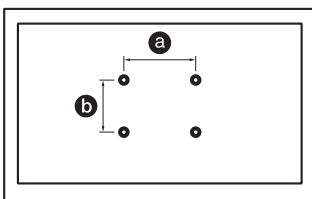


FW-32BU30J / 32BZ30J



Consulte la siguiente tabla para conocer el patrón de orificios de montaje mural.

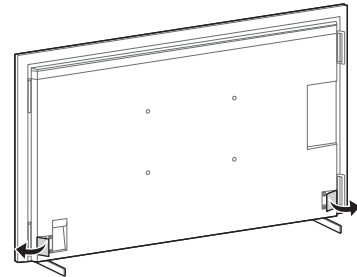
Nombre de modelo	Patrón de orificios de montaje mural
FW-100BU40J / 100BZ40J	$600 \times 400 \text{ mm}$
FW-75BU30J / 75BZ30J / 65BU30J / 65BZ30J / 55BU30J / 55BZ30J	$300 \times 300 \text{ mm}$
FW-50BU35J / 50BZ35J / 50BU30J / 50BZ30J / 43BU35J / 43BZ35J / 43BU30J / 43BZ30J	$200 \times 200 \text{ mm}$
FW-32BU30J / 32BZ30J	$100 \times 200 \text{ mm}$



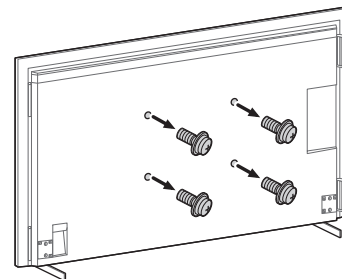
Guarde los tornillos no utilizados y el soporte de sobremesa en un lugar seguro hasta que esté listo para fijarlo. Mantenga los tornillos fuera del alcance de los niños pequeños.

FW-100BU40J / 100BZ40J

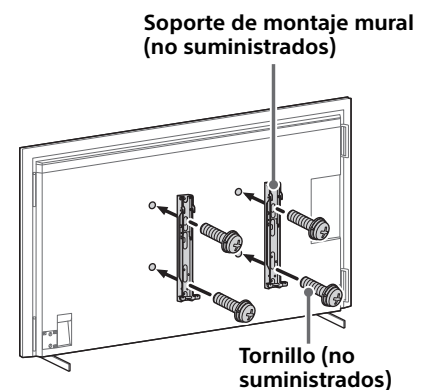
1 Retire las cubiertas del soporte.



2 Quite los tornillos en la parte posterior de la pantalla LCD.




3 Fije el soporte de montaje mural (no suministrado) utilizando los tornillos (no suministrados).



Si utiliza un destornillador eléctrico, ajuste el par de fijación aproximadamente 1,5 N·m {15 kgf·cm}. No levante el gancho de soporte antes de que los tornillos (dos tornillos para cada lado derecho/izquierdo) queden ajustados. Esto puede deformar el gancho de soporte o el gabinete de la pantalla LCD.

4 Desinstalación del soporte de sobremesa de la pantalla LCD.

Para desinstalar el soporte de sobremesa de la pantalla LCD, quite los tornillos .

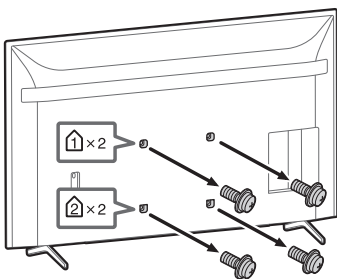


Nota

- Tenga cuidado al levantar la pantalla LCD ya que el soporte de sobremesa desmontado se puede caer y causar lesiones personales.
- Tenga cuidado al retirar el soporte de sobremesa de la pantalla LCD para evitar que se caiga y dañe la superficie en la que se apoya la pantalla LCD.
- No quite el soporte de sobremesa por ningún motivo, excepto para instalar los accesorios adicionales para su pantalla LCD.
- Asegúrese de que la pantalla LCD esté en la posición vertical antes de encenderla. Para evitar deformaciones de la imagen no encienda la pantalla LCD con el panel apuntando hacia abajo.
- Cuando vuelva a instalar el soporte de sobremesa, asegúrese de fijar los tornillos (retirados previamente) en los orificios originales de la parte posterior de la pantalla LCD.

FW-75BU30J / 65BU30J / 55BU30J / 50BU35J / 50BU30J / 43BU35J / 43BU30J / 75BZ30J / 65BZ30J / 55BZ30J / 50BZ35J / 50BZ30J / 43BZ35J / 43BZ30J

1 Quite los tornillos en la parte posterior de la pantalla LCD.

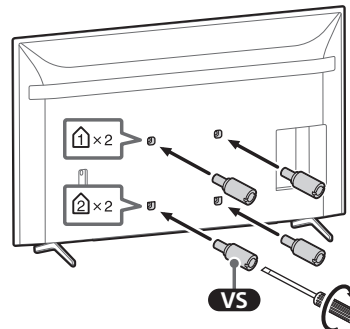
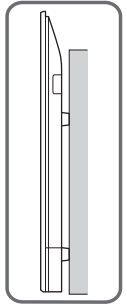
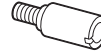


Si utiliza un destornillador eléctrico, ajuste el par de fijación aproximadamente 1,5 N·m {15 kgf·cm}. No levante el gancho de soporte antes de que los tornillos (dos tornillos para cada lado derecho/izquierdo) queden ajustados. Esto puede deformar el gancho de soporte o el gabinete de la pantalla LCD.

2 Coloque la sujeción del soporte de montaje mural (provisto con la pantalla LCD) a la parte posterior de la pantalla LCD (para que esté paralelo a la pared).

Suministrado con la pantalla LCD

VS Sujeción del soporte de montaje mural (4)

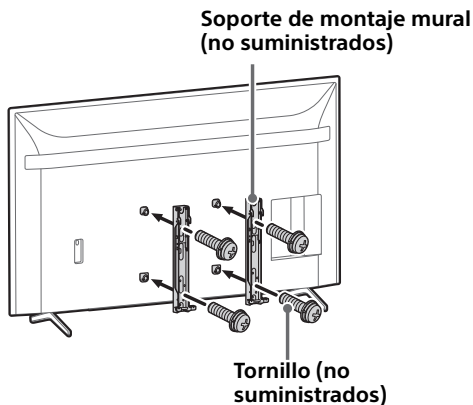


1,5 N·m
{15 kgf·cm}

Nota

- Asegúrese de sujetar el soporte de montaje mural al fijarlo a la pantalla LCD. Utilice solamente un destornillador de cabeza plana para instalar la sujeción del soporte de montaje mural. El uso de otra herramienta puede causar el exceso de ajuste del par de apriete en la sujeción del soporte de montaje mural y dañar la pantalla LCD.

3 Fije el soporte de montaje mural (no suministrado) utilizando los tornillos (no suministrados).

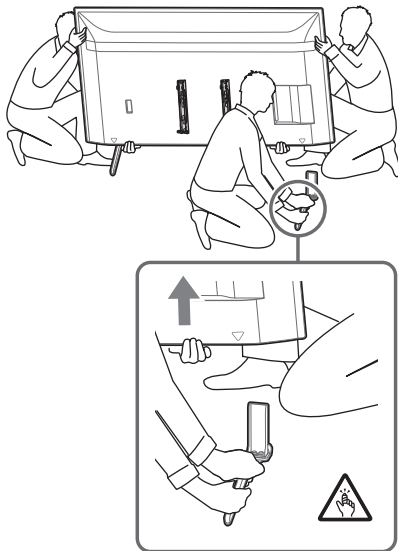


Nota

- Si utiliza un destornillador eléctrico, ajuste el par de apriete a aproximadamente 1,5 N·m {15 kgf·cm}.

4 Desinstalación del soporte de sobremesa de la pantalla LCD.

- 1 Retire un lado del soporte de sobremesa a la vez. Sostenga firmemente el soporte de sobremesa con ambas manos y de forma segura mientras otras personas levantan la pantalla LCD.



- 2 Repita el paso anterior y retire el otro lado del soporte de sobremesa.

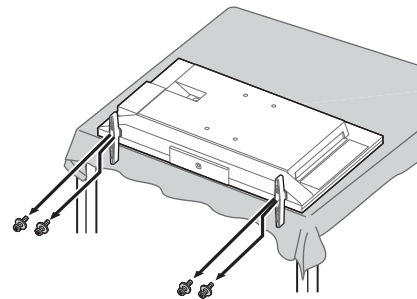
Nota

- Se requieren tres o más personas para desmontar el soporte de sobremesa.
- Tenga cuidado de no aplicar demasiada fuerza al desmontar el soporte de sobremesa de la pantalla LCD ya que puede causar que la pantalla LCD se caiga y cause lesiones personales o daños físicos a la pantalla LCD.
- Tenga cuidado al manipular el soporte de sobremesa para evitar daños en la pantalla LCD.
- Tenga cuidado al levantar la pantalla LCD ya que el soporte de sobremesa desmontado se puede caer y causar lesiones personales.
- Tenga cuidado al retirar el soporte de sobremesa de la pantalla LCD para evitar que se caiga y dañe la superficie en la que se apoya la pantalla LCD.
- No quite el soporte de sobremesa por ningún motivo, excepto para instalar los accesorios adicionales para su pantalla LCD.
- Asegúrese de que la pantalla LCD esté en la posición vertical antes de encenderla. Para evitar deformaciones de la imagen no encienda la pantalla LCD con la pantalla LCD apuntando hacia abajo.

Sólo FW-32BU30J / 32BZ30J

1 Desinstalación del soporte de sobremesa de la pantalla LCD.

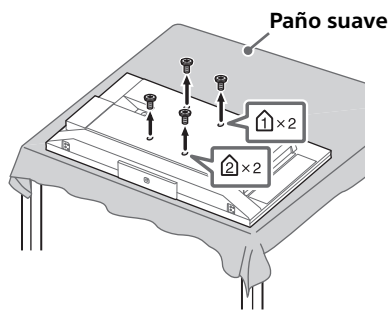
Para desinstalar el soporte de sobremesa de la pantalla LCD, quite los tornillos.



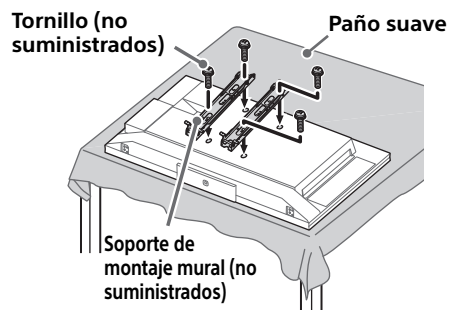
Nota

- No quite el soporte de sobremesa por ningún motivo, excepto para instalar los accesorios adicionales para su pantalla LCD.
- Asegúrese de que la pantalla LCD esté en la posición vertical antes de encenderla. Para evitar deformaciones de la imagen no encienda la pantalla LCD con la pantalla LCD apuntando hacia abajo.
- Coloque la pantalla LCD con la pantalla hacia abajo en una superficie nivelada y estable cubierta con un paño grueso y suave cuando se retira el soporte de sobremesa de la pantalla LCD para evitar dañar la superficie de la pantalla LCD.

2 Quite los tornillos en la parte posterior de la pantalla LCD.



3 Fije el soporte de montaje mural (no suministrado) utilizando los tornillos (no suministrados).



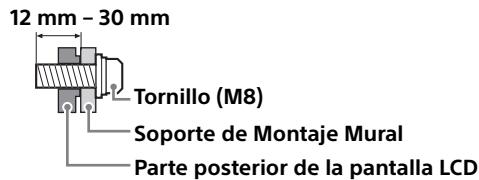
Nota

- Si utiliza un destornillador eléctrico, ajuste el par de apriete a aproximadamente 1,5 N·m {15 kgf·cm}.

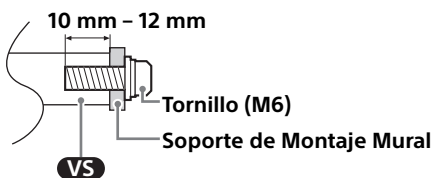
Estilo inclinado

La longitud del tornillo para el soporte de montaje mural varía dependiendo del espesor del soporte de montaje mural. Consulte la siguiente ilustración.

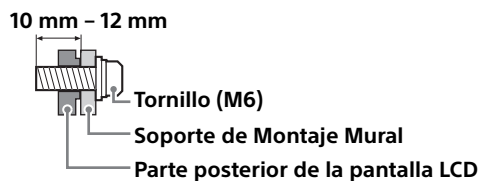
FW-100BU40J / 100BZ40J



FW-75BU30J / 65BU30J / 55BU30J / 50BU35J / 50BU30J / 43BU35J / 43BU30J / 75BZ30J / 65BZ30J / 55BZ30J / 50BZ35J / 50BZ30J / 43BZ35J / 43BZ30J

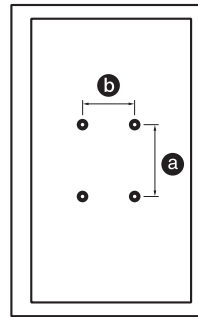


FW-32BU30J / 32BZ30J



Consulte la siguiente tabla para conocer el patrón de orificios de montaje mural.

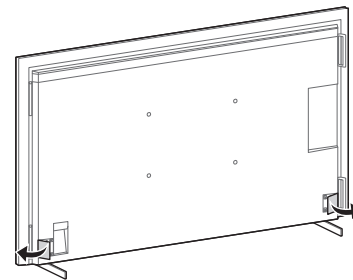
Nombre de modelo	Patrón de orificios de montaje mural
FW-100BU40J / 100BZ40J	600×400 mm
FW-75BU30J / 75BZ30J / 65BU30J / 65BZ30J / 55BU30J / 55BZ30J	300×300 mm
FW-50BU35J / 50BZ35J / 50BU30J / 50BZ30J / 43BU35J / 43BZ35J / 43BU30J / 43BZ30J	200×200 mm
FW-32BU30J / 32BZ30J	100×200 mm



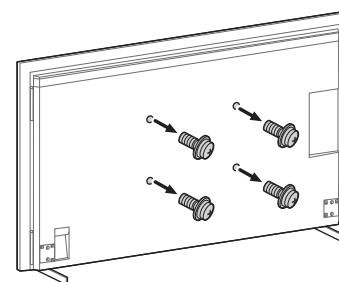
Guarde los tornillos no utilizados y el soporte de sobremesa en un lugar seguro hasta que esté listo para fijarlo. Mantenga los tornillos fuera del alcance de los niños pequeños.

FW-100BU40J / 100BZ40J

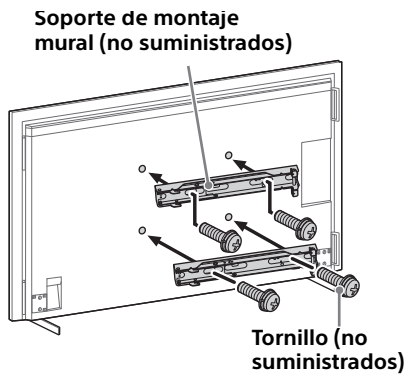
1 Retire las cubiertas del soporte.



2 Quite los tornillos en la parte posterior de la pantalla LCD.



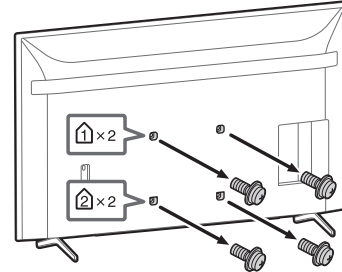
3 Fije el soporte de montaje mural (no suministrado) utilizando los tornillos (no suministrados).



Si utiliza un destornillador eléctrico, ajuste el par de fijación aproximadamente 1,5 N·m {15 kgf·cm}. No levante el gancho de soporte antes de que los tornillos (dos tornillos para cada lado derecho/izquierdo) queden ajustados. Esto puede deformar el gancho de soporte o el gabinete de la pantalla LCD.


FW-75BU30J / 65BU30J / 55BU30J / 50BU35J / 50BU30J / 43BU35J / 43BU30J / 75BZ30J / 65BZ30J / 55BZ30J / 50BZ35J / 50BZ30J / 43BZ35J / 43BZ30J

1 Quite los tornillos en la parte posterior de la pantalla LCD.



Si utiliza un destornillador eléctrico, ajuste el par de fijación aproximadamente 1,5 N·m {15 kgf·cm}. No levante el gancho de soporte antes de que los tornillos (dos tornillos para cada lado derecho/izquierdo) queden ajustados. Esto puede deformar el gancho de soporte o el gabinete de la pantalla LCD.

4 Desinstalación del soporte de sobremesa de la pantalla LCD.

Para desinstalar el soporte de sobremesa de la pantalla LCD, quite los tornillos .



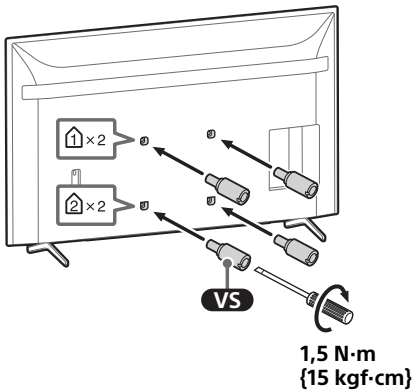
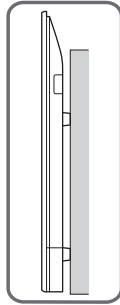
Nota

- Tenga cuidado al levantar la pantalla LCD ya que el soporte de sobremesa desmontado se puede caer y causar lesiones personales.
- Tenga cuidado al retirar el soporte de sobremesa de la pantalla LCD para evitar que se caiga y dañe la superficie en la que se apoya la pantalla LCD.
- No quite el soporte de sobremesa por ningún motivo, excepto para instalar los accesorios adicionales para su pantalla LCD.
- Asegúrese de que la pantalla LCD esté en la posición vertical antes de encenderla. Para evitar deformaciones de la imagen no encienda la pantalla LCD con el panel apuntando hacia abajo.
- Cuando vuelva a instalar el soporte de sobremesa, asegúrese de fijar los tornillos (retirados previamente) en los orificios originales de la parte posterior de la pantalla LCD.

2 Coloque la sujeción del soporte de montaje mural (provisto con la pantalla LCD) a la parte posterior de la pantalla LCD (para que esté paralelo a la pared).

Suministrado con la pantalla LCD

VS Sujeción del soporte de montaje mural (4)

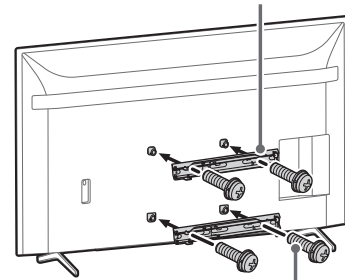


Nota

- Asegúrese de sujetar el soporte de montaje mural al fijarlo a la pantalla LCD. Utilice solamente un destornillador de cabeza plana para instalar la sujeción del soporte de montaje mural. El uso de otra herramienta puede causar el exceso de ajuste del par de apriete en la sujeción del soporte de montaje mural y dañar la pantalla LCD.

3 Fije el soporte de montaje mural (no suministrado) utilizando los tornillos (no suministrados).

Soporte de montaje mural (no suministrados)



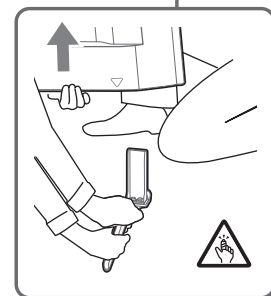
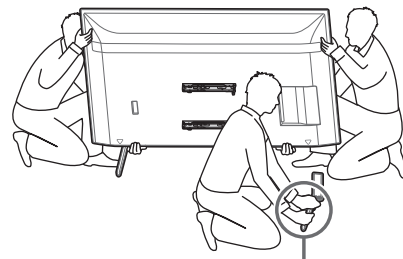
Tornillo (no suministrados)

Nota

- Si utiliza un destornillador eléctrico, ajuste el par de apriete a aproximadamente 1,5 N·m {15 kgf·cm}.

4 Desinstalación del soporte de sobremesa de la pantalla LCD.

- 1 Retire un lado del soporte de sobremesa a la vez. Sostenga firmemente el soporte de sobremesa con ambas manos y de forma segura mientras otras personas levantan la pantalla LCD.



- 2 Repita el paso anterior y retire el otro lado del soporte de sobremesa.

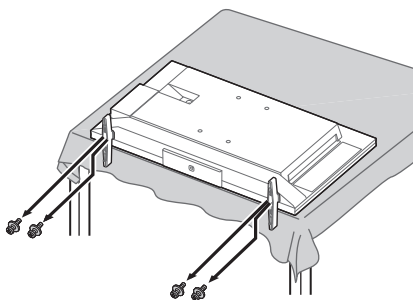
Nota

- Se requieren tres o más personas para desmontar el soporte de sobremesa.
- Tenga cuidado de no aplicar demasiada fuerza al desmontar el soporte de sobremesa de la pantalla LCD ya que puede causar que la pantalla LCD se caiga y cause lesiones personales o daños físicos a la pantalla LCD.
- Tenga cuidado al manipular el soporte de sobremesa para evitar daños en la pantalla LCD.
- Tenga cuidado al levantar la pantalla LCD ya que el soporte de sobremesa desmontado se puede caer y causar lesiones personales.
- Tenga cuidado al retirar el soporte de sobremesa de la pantalla LCD para evitar que se caiga y dañe la superficie en la que se apoya la pantalla LCD.
- No quite el soporte de sobremesa por ningún motivo, excepto para instalar los accesorios adicionales para su pantalla LCD.
- Asegúrese de que la pantalla LCD esté en la posición vertical antes de encenderla. Para evitar deformaciones de la imagen no encienda la pantalla LCD con la pantalla LCD apuntando hacia abajo.

Sólo FW-32BU30J / 32BZ30J

1 Desinstalación del soporte de sobremesa de la pantalla LCD.

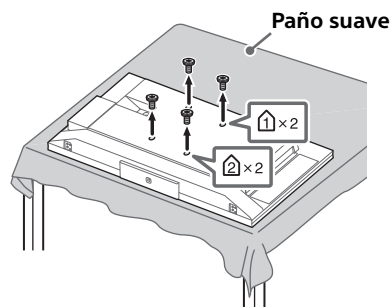
Para desinstalar el soporte de sobremesa de la pantalla LCD, quite los tornillos.



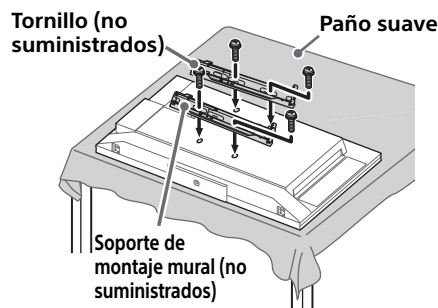
Nota

- No quite el soporte de sobremesa por ningún motivo, excepto para instalar los accesorios adicionales para su pantalla LCD.
- Asegúrese de que la pantalla LCD esté en la posición vertical antes de encenderla. Para evitar deformaciones de la imagen no encienda la pantalla LCD con la pantalla LCD apuntando hacia abajo.
- Coloque la pantalla LCD con la pantalla hacia abajo en una superficie nivelada y estable cubierta con un paño grueso y suave cuando se retira el soporte de sobremesa de la pantalla LCD para evitar dañar la superficie de la pantalla LCD.

2 Quite los tornillos en la parte posterior de la pantalla LCD.



3 Fije el soporte de montaje mural (no suministrado) utilizando los tornillos (no suministrados).



Nota

- Si utiliza un destornillador eléctrico, ajuste el par de apriete a aproximadamente 1,5 N·m {15 kgf·cm}.

致用户

安装本产品需要足够的专业技术。确保委托 Sony 经销商或授权承包商进行产品安装，并在安装过程中注意安全。Sony 对于误操作、不当安装或安装任何其他非指定产品所造成的损坏或受伤概不负责。您的法定权利（若有）不受影响。

警告

若不遵守安全预先注意事项或产品使用不当，则可能会导致严重伤害或火灾。

本使用说明书介绍了本产品的正确操作方法以及需要注意的重要预先注意事项，以免发生事故。用户有责任阅读、完全理解并按照本使用说明书中的指示操作。否则可能导致严重人身伤害或财产损失，并可能使保修失效。请妥善保管本手册，以供日后参考。

Sony 经销商须知

安装本产品需要足够的专业技术。请务必仔细阅读本使用说明书，以确保安装工作的安全性。Sony 对于误操作、不当安装所造成的损坏或受伤概不负责。安装完毕后，请将本手册交给用户。

安全须知

Sony 产品在设计时考虑到了安全的重要性。然而，若产品使用不当，则可能会导致火灾、触电、产品倾倒或掉落风险，进而造成严重伤害。请务必遵守安全预先注意事项，避免此类事故的发生。

注意事项

指定产品

下列产品如有变更，恕不另行通知，可能缺货或停产。某些地区可能无法供应某些型号。

LCD 显示器	FW-100BU40J FW-75BU30J FW-65BU30J FW-55BU30J FW-50BU35J FW-50BU30J FW-43BU35J FW-43BU30J FW-32BU30J FW-100BZ40J FW-75BZ30J FW-65BZ30J FW-55BZ30J FW-50BZ35J FW-50BZ30J FW-43BZ35J FW-43BZ30J FW-32BZ30J
---------	--

警告

若不遵守下列预先注意事项，则可能会导致火灾、触电、产品倾倒或掉落风险，进而造成严重伤害，甚至死亡。

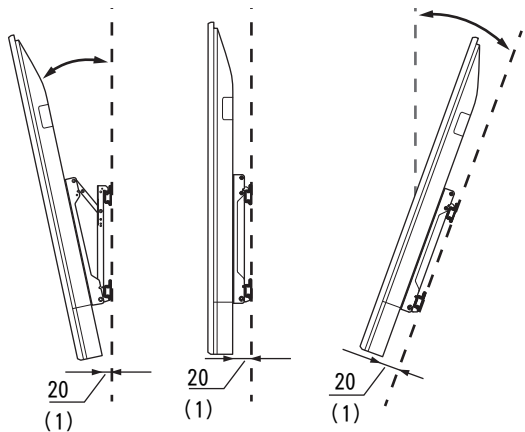
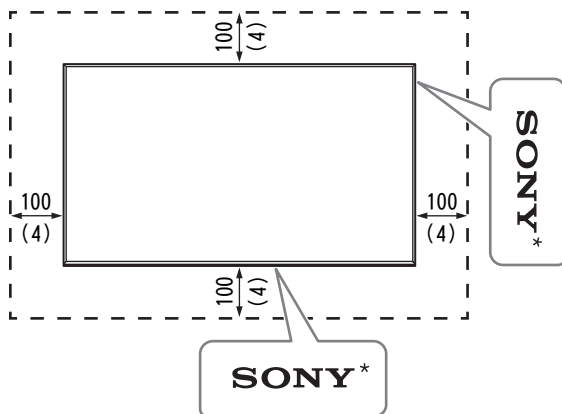
请务必仔细阅读使用说明书中所述的所有安全信息。

请在 LCD 显示器周围留出足够的空间。

下图中图示出了 LCD 显示器周围需要留出多大空间。请务必按下图所示方向安装 LCD 显示器。

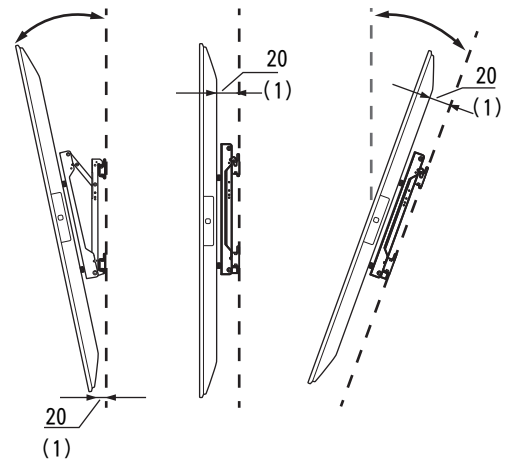
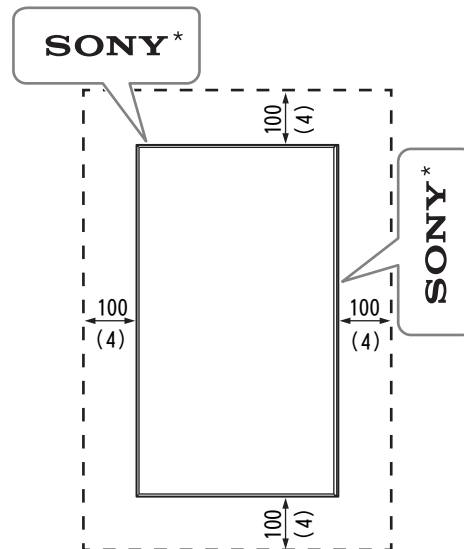
横屏

单位：mm (英寸)



竖屏

单位：mm (英寸)



* 仅针对有限的地区 / 国家 / LCD 显示器型号。

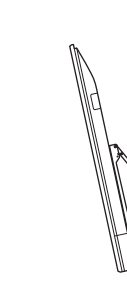

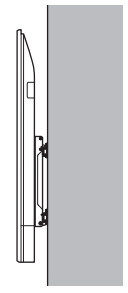
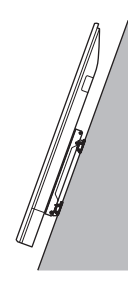

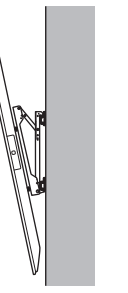
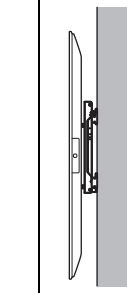
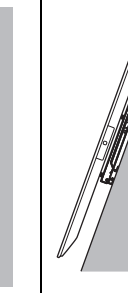
请勿堵塞 LCD 显示器的通风孔。

若用胶带或其他物品堵住通风孔，热量就会在 LCD 显示器内积聚，可能会引起火灾。

其他

- 若用胶带或其他物品覆盖 LED 指示灯及其周围，则无法识别 LCD 显示器状态，并且遥控器可能无法工作。
- 搬运 LCD 显示器时，请以横屏方向握紧 LCD 显示器，安装时务必小心，以免 LCD 显示器掉落。请勿在显示器上方用力过度，否则 LCD 显示器可能会变形。

安装方式

型号名称	横屏				竖屏			
								
	~-20°	~-15°	0°	~+20°	~-20°	~-15°	0°	~+20°
FW-100BU40J / 100BZ40J	-	✓	✓	✓	-	✓	✓	✓
FW-75BU30J / 75BZ30J	✓	✓	✓	✓	-	✓	✓	✓*1
FW-65BU30J / 65BZ30J	✓	✓	✓	✓	-	✓*1	✓*2	✓*1
FW-55BU30J / 55BZ30J	✓	✓	✓	✓*1	-	✓*3	✓*4	✓*2
FW-50BU35J / 50BZ35J	✓	✓	✓	✓	✓	✓	✓	-
FW-50BU30J / 50BZ30J	✓	✓	✓*5	✓*2	✓	✓	✓	✓
FW-43BU35J / 43BZ35J	✓	✓	✓	✓	✓*3	✓*3	✓	-
FW-43BU30J / 43BZ30J	✓*1	✓*1	✓*5	✓*3	✓	✓	✓*2	✓*4
FW-32BU30J / 32BZ30J	✓	✓	✓	✓	✓	✓	✓	✓

*1 推荐使用环境温度：39 °C 以下

*2 推荐使用环境温度：38 °C 以下

*3 推荐使用环境温度：37 °C 以下

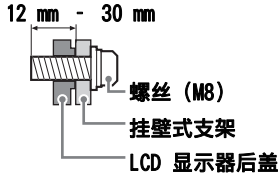
*4 推荐使用环境温度：36 °C 以下

*5 推荐使用环境温度：38 °C 以下或在 LCD 显示器顶部留出 300 mm 的空间

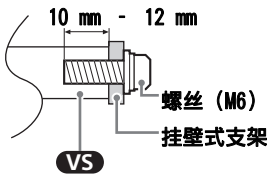
横屏式

视挂壁式支架厚度而定，挂壁式支架螺丝的长度可能不同。请参阅下方图例。

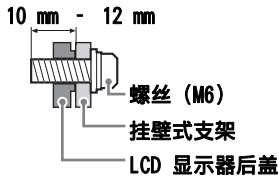
FW-100BU40J / 100BZ40J



FW-75BU30J / 65BU30J / 55BU30J / 50BU35J / 50BU30J / 43BU35J / 43BU30J / 75BZ30J / 65BZ30J / 55BZ30J / 50BZ35J / 50BZ30J / 43BZ35J / 43BZ30J

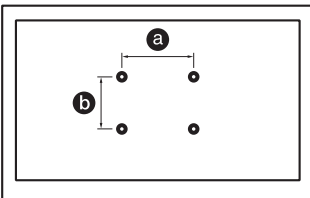


FW-32BU30J / 32BZ30J



有关挂壁式安装布孔方式，请参阅下表。

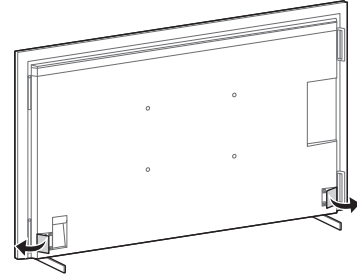
型号名称	挂壁式安装布孔方式 a × b
FW-100BU40J / 100BZ40J	600 × 400 mm
FW-75BU30J / 75BZ30J / 65BU30J / 65BZ30J / 55BU30J / 55BZ30J	300 × 300 mm
FW-50BU35J / 50BZ35J / 50BU30J / 50BZ30J / 43BU35J / 43BZ35J / 43BU30J / 43BZ30J	200 × 200 mm
FW-32BU30J / 32BZ30J	100 × 200 mm



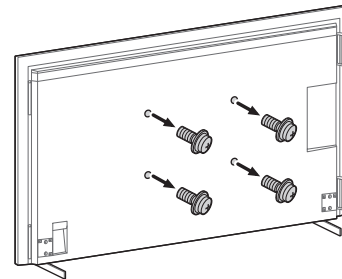
在您准备好安装台式底座之前，务必将未使用的螺丝和台式底座放在安全的地方。确保螺丝远离儿童。

FW-100BU40J / 100BZ40J

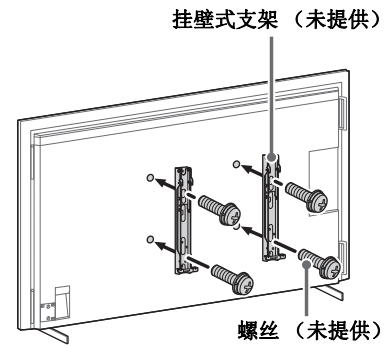
1 拆下底座护盖。



2 从 LCD 显示器背面拆下螺丝。




3 使用螺丝（未提供）安装挂壁式支架（未提供）。



若使用电动螺丝刀，将扭矩设定值设定为大约 1.5 N·m {15 kgf·cm}。
在将螺丝（左右各两枚螺丝）固定妥当之前，请勿抬起专用挂壁式支架。否则可能会使专用挂壁式支架或 LCD 显示器机柜变形。

4 从 LCD 显示器上拆下台式底座。

拆下螺丝 ，以从 LCD 显示器上拆下台式底座。

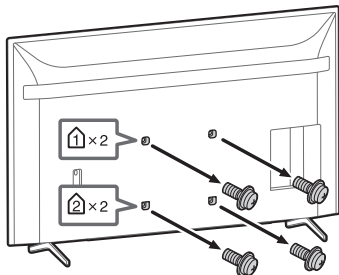


注意

- 抬起 LCD 显示器时请小心，因为台式底座已拆下，台式底座可能会倾倒并造成人身伤害。
- 从 LCD 显示器上拆下台式底座时，请务必小心，以避免 LCD 显示器掉落并损坏安装 LCD 显示器的表面。
- 除非要将相应的附件安装至 LCD 显示器上，否则请勿拆下台式底座。
- 接通电源前，请确保 LCD 显示器处于垂直位置。面板朝下时不得接通 LCD 显示器电源，以免导致图像均匀性不佳。
- 重新安装台式底座时，请务必将（先前拆下的）螺丝拧紧至位于 LCD 显示器背面的原孔中。

FW-75BU30J / 65BU30J / 55BU30J / 50BU35J /
50BU30J / 43BU35J / 43BU30J / 75BZ30J /
65BZ30J / 55BZ30J / 50BZ35J / 50BZ30J /
43BZ35J / 43BZ30J

1 从 LCD 显示器背面拆下螺丝。



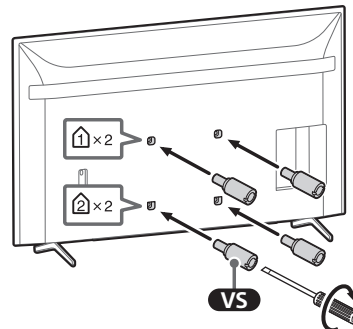
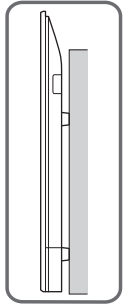
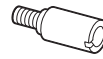
若使用电动螺丝刀，将扭矩设定值设定为大约 $1.5 \text{ N} \cdot \text{m}$ { $15 \text{ kgf} \cdot \text{cm}$ }。

在将螺丝（左右各两枚螺丝）固定妥当之前，请勿抬起专用挂壁式支架。否则可能会使专用挂壁式支架或 LCD 显示器机柜变形。

2 将挂壁式配件（LCD 显示器随附）固定到 LCD 显示器的背面（使 LCD 显示器与墙壁保持平行）。

LCD 显示器随附

VS 挂壁式配件
(4)



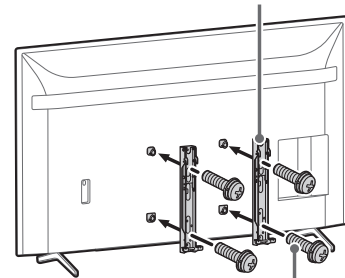
$1.5 \text{ N} \cdot \text{m}$
{ $15 \text{ kgf} \cdot \text{cm}$ }

注意

- 将挂壁式配件安装至 LCD 显示器时，请务必紧固挂壁式配件。只可使用平头螺丝刀来安装挂壁式配件。使用其他工具可能导致挂壁式配件扭矩过度并损坏 LCD 显示器。

3 使用螺丝（未提供）安装挂壁式支架（未提供）。

挂壁式支架（未提供）



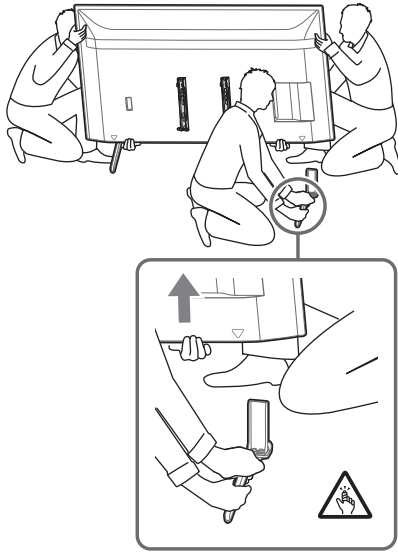
螺丝（未提供）

注意

- 如果使用电动螺丝起子，设定扭矩至大约 $1.5 \text{ N} \cdot \text{m}$ { $15 \text{ kgf} \cdot \text{cm}$ }。

4 从 LCD 显示器上拆下台式底座。

- 1 一次拆下台式底座的一侧。用双手牢牢握住台式底座，同时其他人员抬起 LCD 显示器。



- 2 重复上一步，拆下台式底座的另一侧。

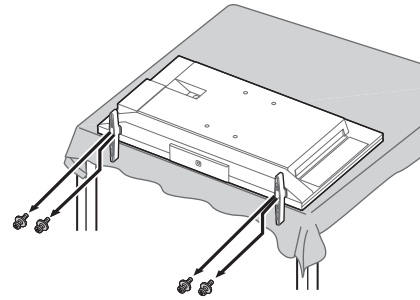
注意

- 拆下台式底座需要三个人或三个人以上。
- 从 LCD 显示器上拆下台式底座时请小心不要用力过度，因为可能导致 LCD 显示器掉落，造成人身伤害或 LCD 显示器损坏。
- 操作台式底座时应务必小心，以免损坏 LCD 显示器。
- 抬起 LCD 显示器时请小心，因为台式底座已拆下，台式底座可能会倾倒并造成人身伤害。
- 从 LCD 显示器上拆下台式底座时，请务必小心，以避免 LCD 显示器掉落并损坏安装 LCD 显示器的表面。
- 除非要将相应的附件安装至 LCD 显示器上，否则请勿拆下台式底座。
- 接通电源前，请确保 LCD 显示器处于垂直位置。LCD 面板朝下时不得接通 LCD 显示器电源，以免导致图像均匀性不佳。

仅限 FW-32BU30J / 32BZ30J

1 从 LCD 显示器上拆下台式底座。

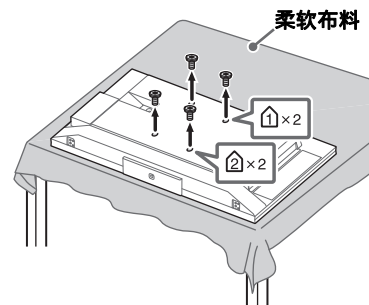
拆下螺丝，以从 LCD 显示器上拆下台式底座。



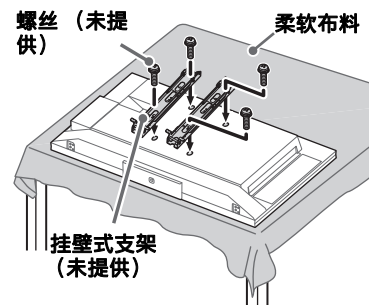
注意

- 除非要将相应的附件安装至 LCD 显示器上，否则请勿拆下台式底座。
- 接通电源前，请确保 LCD 显示器处于垂直位置。LCD 面板朝下时不得接通 LCD 显示器电源，以免导致图像均匀性不佳。
- 将台式底座从 LCD 显示器上移除时，请将 LCD 显示器放在稳定、水平及铺有柔软的厚布的表面，并将屏幕朝下，以防止损坏 LCD 显示器表面。

2 从 LCD 显示器背面拆下螺丝。



3 使用螺丝（未提供）安装挂壁式支架（未提供）。



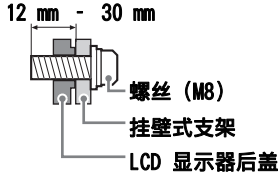
注意

- 如果使用电动螺丝起子，设定转矩至大约 1.5 N·m {15 kgf·cm}。

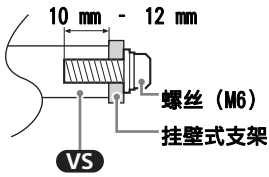
竖屏式

视挂壁式支架厚度而定，挂壁式支架螺丝的长度可能不同。请参阅下方图例。

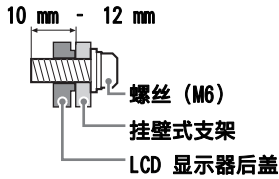
FW-100BU40J / 100BZ40J



FW-75BU30J / 65BU30J / 55BU30J / 50BU35J / 50BU30J / 43BU35J / 43BU30J / 75BZ30J / 65BZ30J / 55BZ30J / 50BZ35J / 50BZ30J / 43BZ35J / 43BZ30J

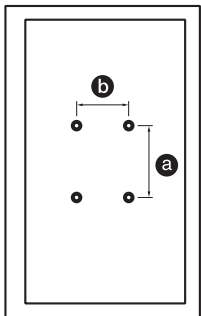


FW-32BU30J / 32BZ30J



有关挂壁式安装布孔方式，请参阅下表。

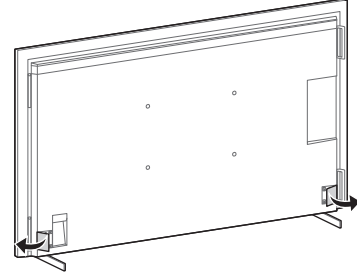
型号名称	挂壁式安装布孔方式
	a × b
FW-100BU40J / 100BZ40J	600 × 400 mm
FW-75BU30J / 75BZ30J / 65BU30J / 65BZ30J / 55BU30J / 55BZ30J	300 × 300 mm
FW-50BU35J / 50BZ35J / 50BU30J / 50BZ30J / 43BU35J / 43BZ35J / 43BU30J / 43BZ30J	200 × 200 mm
FW-32BU30J / 32BZ30J	100 × 200 mm



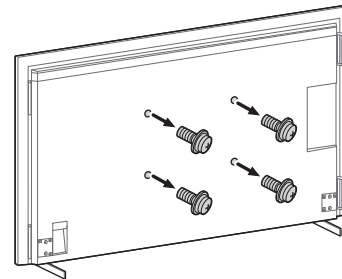
在您准备好安装台式底座之前，务必将未使用的螺丝和台式底座放在安全的地方。确保螺丝远离儿童。

FW-100BU40J / 100BZ40J

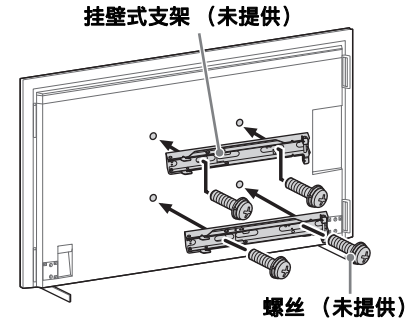
1 拆下底座护盖。



2 从 LCD 显示器背面拆下螺丝。




3 使用螺丝（未提供）安装挂壁式支架（未提供）。



若使用电动螺丝刀，将扭矩设定值设定为大约 1.5 N·m {15 kgf·cm}。
在将螺丝（左右各两枚螺丝）固定妥当之前，请勿抬起专用挂壁式支架。否则可能会使专用挂壁式支架或 LCD 显示器机柜变形。

4 从 LCD 显示器上拆下台式底座。

拆下螺丝 ，以从 LCD 显示器上拆下台式底座。

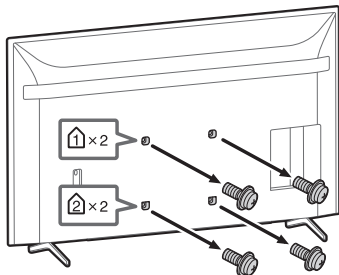


注意

- 抬起 LCD 显示器时请小心，因为台式底座已拆下，台式底座可能会倾倒并造成人身伤害。
- 从 LCD 显示器上拆下台式底座时，请务必小心，以避免 LCD 显示器掉落并损坏安装 LCD 显示器的表面。
- 除非要将相应的附件安装至 LCD 显示器上，否则请勿拆下台式底座。
- 接通电源前，请确保 LCD 显示器处于垂直位置。面板朝下时不得接通 LCD 显示器电源，以免导致图像均匀性不佳。
- 重新安装台式底座时，请务必将（先前拆下的）螺丝拧紧至位于 LCD 显示器背面的原孔中。

FW-75BU30J / 65BU30J / 55BU30J / 50BU35J /
50BU30J / 43BU35J / 43BU30J / 75BZ30J /
65BZ30J / 55BZ30J / 50BZ35J / 50BZ30J /
43BZ35J / 43BZ30J

1 从 LCD 显示器背面拆下螺丝。

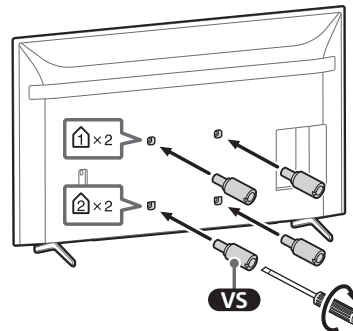
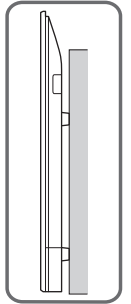
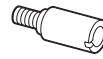


若使用电动螺丝刀，将扭矩设定值设定为大约 $1.5 \text{ N} \cdot \text{m}$ { $15 \text{ kgf} \cdot \text{cm}$ }。
在将螺丝（左右各两枚螺丝）固定妥当之前，请勿抬起专用挂壁式支架。否则可能会使专用挂壁式支架或 LCD 显示器机柜变形。

2 将挂壁式配件（LCD 显示器随附）固定到 LCD 显示器的背面（使 LCD 显示器与墙壁保持平行）。

LCD 显示器随附

VS 挂壁式配件
(4)



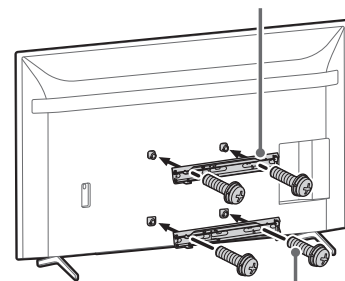
$1.5 \text{ N} \cdot \text{m}$
{ $15 \text{ kgf} \cdot \text{cm}$ }

注意

- 将挂壁式配件安装至 LCD 显示器时，请务必紧固挂壁式配件。只可使用平头螺丝刀来安装挂壁式配件。使用其他工具可能导致挂壁式配件扭矩过度并损坏 LCD 显示器。

3 使用螺丝（未提供）安装挂壁式支架（未提供）。

挂壁式支架（未提供）



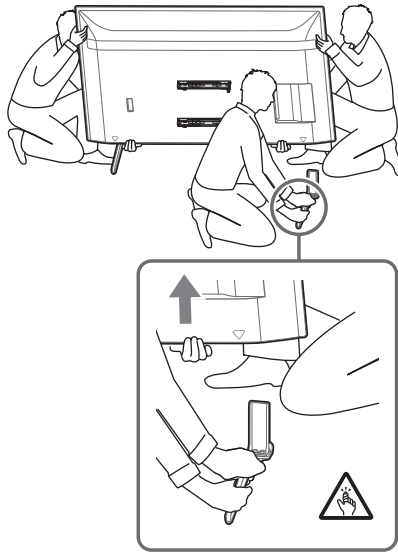
螺丝（未提供）

注意

- 如果使用电动螺丝起子，设定扭矩至大约 $1.5 \text{ N} \cdot \text{m}$ { $15 \text{ kgf} \cdot \text{cm}$ }。

4 从 LCD 显示器上拆下台式底座。

- 1 一次拆下台式底座的一侧。用双手牢牢握住台式底座，同时其他人员抬起 LCD 显示器。



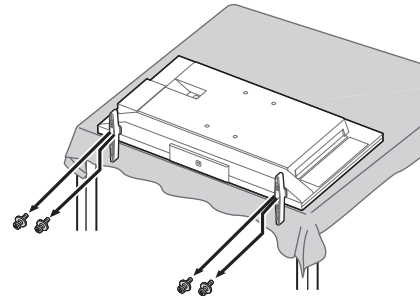
- 2 重复上一步，拆下台式底座的另一侧。

注意

- 拆下台式底座需要三个人或三个人以上。
- 从 LCD 显示器上拆下台式底座时请小心不要用力过度，因为可能导致 LCD 显示器掉落，造成人身伤害或 LCD 显示器损坏。
- 操作台式底座时应务必小心，以免损坏 LCD 显示器。
- 抬起 LCD 显示器时请小心，因为台式底座已拆下，台式底座可能会倾倒并造成人身伤害。
- 从 LCD 显示器上拆下台式底座时，请务必小心，以避免 LCD 显示器掉落并损坏安装 LCD 显示器的表面。
- 除非要将相应的附件安装至 LCD 显示器上，否则请勿拆下台式底座。
- 接通电源前，请确保 LCD 显示器处于垂直位置。LCD 面板朝下时不得接通 LCD 显示器电源，以免导致图像均匀性不佳。

仅限 FW-32BU30J / 32BZ30J

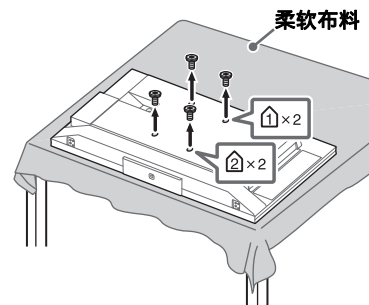
- 1 从 LCD 显示器上拆下台式底座。
拆下螺丝，以从 LCD 显示器上拆下台式底座。



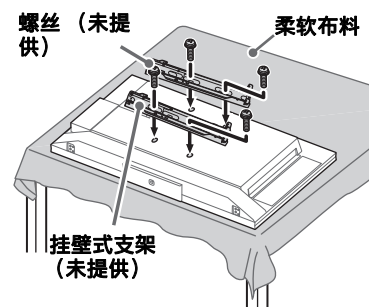
注意

- 除非要将相应的附件安装至 LCD 显示器上，否则请勿拆下台式底座。
- 接通电源前，请确保 LCD 显示器处于垂直位置。LCD 面板朝下时不得接通 LCD 显示器电源，以免导致图像均匀性不佳。
- 将台式底座从 LCD 显示器上移除时，请将 LCD 显示器放在稳定、水平及铺有柔软的厚布的表面，并将屏幕朝下，以防止损坏 LCD 显示器表面。

- 2 从 LCD 显示器背面拆下螺丝。



- 3 使用螺丝（未提供）安装挂壁式支架（未提供）。



注意

- 如果使用电动螺丝起子，设定转矩至大约 1.5 N·m {15 kgf·cm}。

