

3 MOTORIZED FLUSH

Flush Mounted Tab-Tension Motorized Screen Specification Sheet



SUGGESTED SPECIFICATIONS: _____ projection screen(s), _____ (H) x _____ (W). This specification covers 3 Series Motorized is available as a flush mount, self-contained unit, with wall, ceiling, or suspended mount capability. The screen shall contain a quick connect connector that is mounted in the housing for easy plug-in connection to the motorized fabric and roller assembly. The motorized fabric and roller assembly to be installed in the case at the factory or at a later time at the job site. To be complete with integrated low voltage trigger input and three position control switch and cover plate. The flush unit to be fitted with flat

ceiling trim to finish out installation. 3 Series Motorized screen materials are to be precision cut on computer-driven fabric tables. All 3 Series Motorized screens include tab tensioning. Each screen includes 24" (610 mm) of user adjustable black drop. Screens are available in 16:9 and 16:10 aspect ratios with standard sizing from 80" (2032 mm) to 200" (5080 mm) diagonal. Screen material to be Solar White 1.3 or Solar Gray .85. Please refer to a signed build drawing. If you require additional information not contained within this specification sheet, please contact us at sales@screeninnovations.com or 512-832-6939.

Theater HDTV (16:9) Format Dimensions

Viewing Area H x W (C X B)		Standard Diagonal (A)		Overall Case Length (F)		Overall Flange Length (G)		Approx. Ship. Wt.	
In.	mm	In.	mm	In.	mm	In.	mm	Lbs.	Kg
39.25" X 69.75"	997 X 1,772	80"	2,032	84.813"	2,154	87.125"	2,213	94	43
45.125" X 80.188"	1,146 X 2,037	92"	2,337	95.25"	2,419	97.563"	2,478	103	47
49" X 87.188"	1,245 X 2,215	100"	2,540	102.25"	2,597	104.563"	2,656	109	49
51.938" X 92.375"	1,319 X 2,346	106"	2,692	107.438"	2,729	109.813"	2,788	113	51
53.938" X 95.875"	1,370 X 2,435	110"	2,794	110.938"	2,818	113.25"	2,877	116	53
58.813" X 104.563"	1,494 X 2,656	120"	3,048	119.625"	3,038	122"	3,097	124	56
65.188" X 115.938"	1,656 X 2,945	133"	3,378	131"	3,327	133.313"	3,386	137	62

Wide (16:10) Format Dimensions

Viewing Area H x W (C X B)		Standard Diagonal (A)		Overall Case Length (F)		Overall Flange Length (G)		Approx. Ship. Wt.	
In.	mm	In.	mm	In.	mm	In.	mm	Lbs.	Kg
42.375" X 67.813"	1,076 X 1,722	80"	2,032	82.875"	2,105	90.375"	2,164	92	42
48.75" X 78"	1,238 X 1,981	92"	2,337	93.063"	2,364	100.563"	2,423	101	46
53" X 84.813"	1,346 X 2,154	100"	2,540	99.875"	2,537	107.375"	2,596	107	49
56.188" X 89.875"	1,427 X 2,283	106"	2,692	104.938"	2,665	112.438"	2,724	111	50
58.313" X 93.25"	1,481 X 2,369	110"	2,794	108.313"	2,751	115.813"	2,810	114	52
63.625" X 101.75"	1,616 X 2,584	120"	3,048	116.813"	2,967	124.313"	3,026	122	55
70.5" X 112.813"	1,791 X 2,865	133"	3,378	127.875"	3,248	135.375"	3,307	135	61

PRODUCT NOTES

- All screens come with user adjustable black-drop between the case and viewing surface up to 24" (61 mm).
- All screens come with Wall Switch, IR Remote, and Low Voltage Trigger.
- Screen surface is tab-tensioned with user adjustability.
- Aspect ratios Available: 16:9, 16:10
- For dimensions not listed, please see our online screen calculator. <http://dash.screeninnovations.com/screencalculator>
- Viewing surface widths of 116" (2,946 mm) or larger will utilize "commercial" case dimensions.

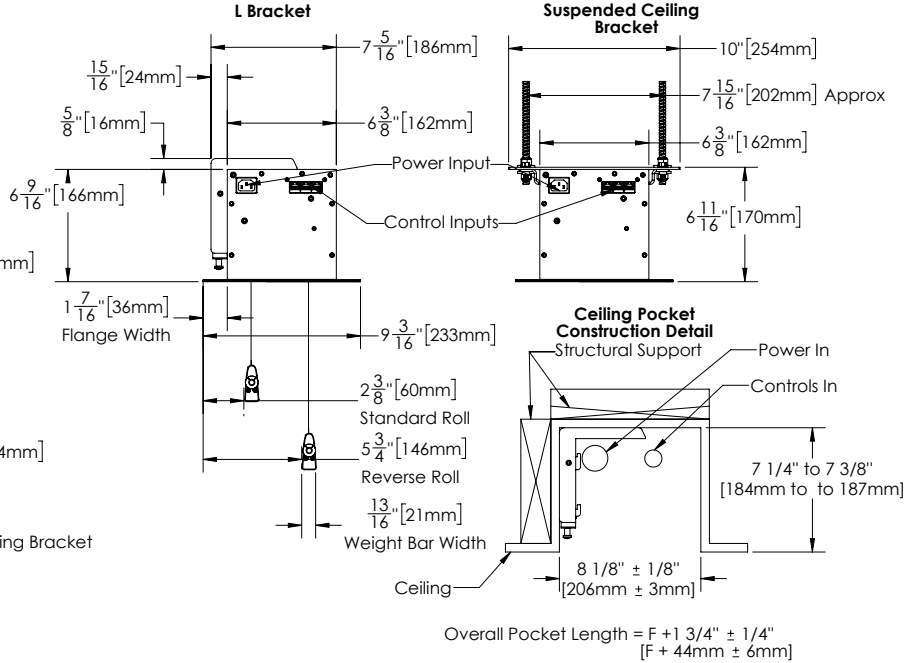
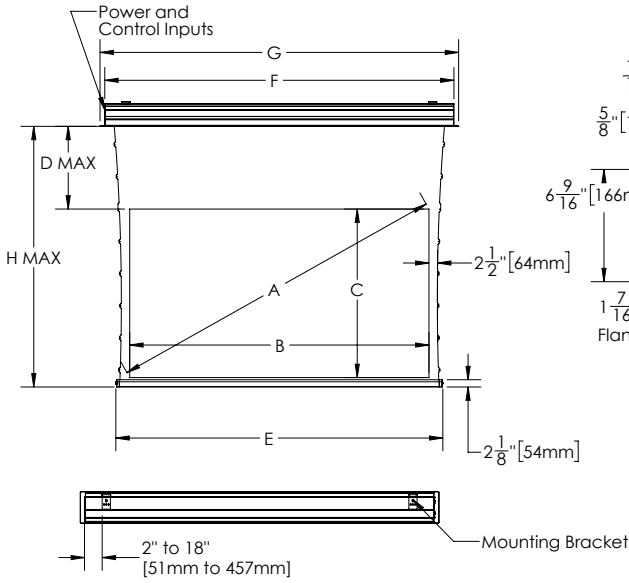
MATERIAL INFORMATION

- All surfaces will be seamless.
- Max viewing height 70.5 inches (1791 mm)

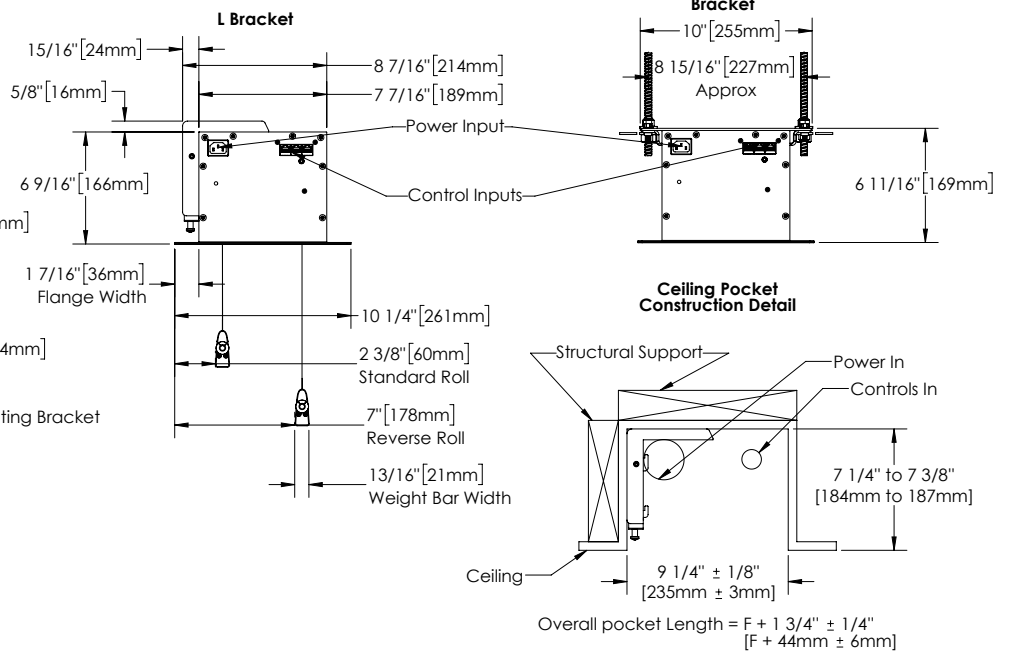
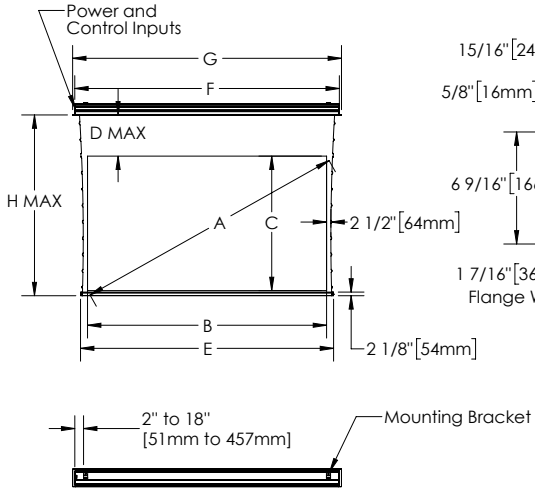
WHEN ORDERING, MARK APPROPRIATE SELECTIONS

1. Select Size from Charts.
2. Select Screen Material:
 - Solar White 1.3
 - Solar Gray .85
3. Screen Options:
 - 220v Motor
 - RS232/485 Control & Cable

Compact Case
Viewing width < 116" (2,946 mm)



Commercial Case
Viewing width > 116" (2,946 mm)



9715-B Burnet Rd. Ste 400
Austin, TX 78758
512-832-6939
screeninnovations.com

SI3FLSS2.0
© 2017 Screen Innovations.

Project Name:	_____
Architect:	_____
Contractor:	_____ Phone _____
Reseller:	_____ Phone _____