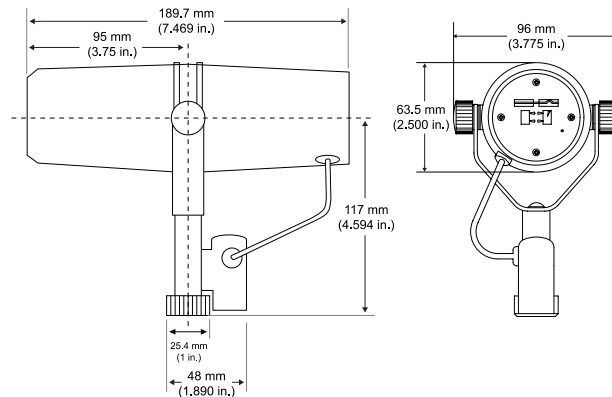
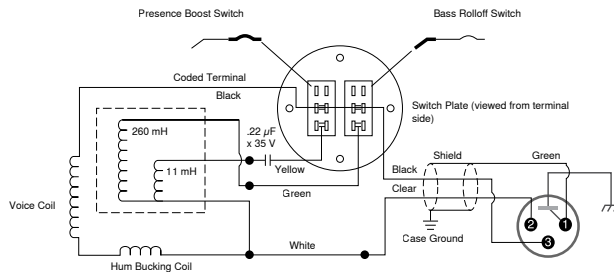


Typical Polar Pattern



Overall Dimensions



Internal Connections