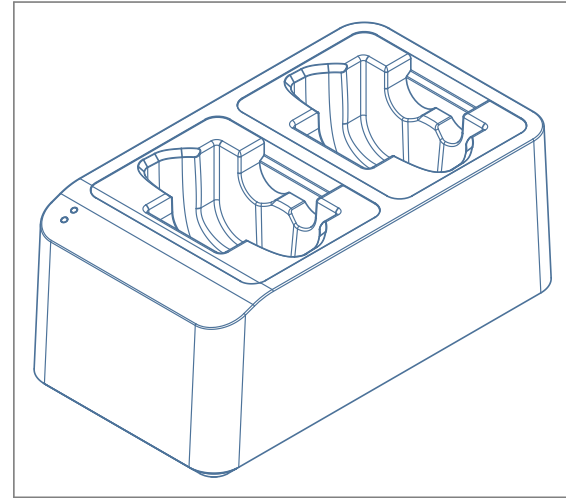
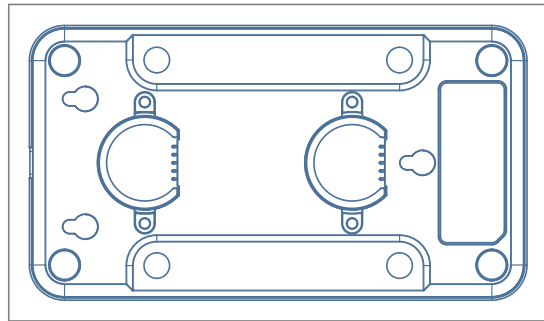
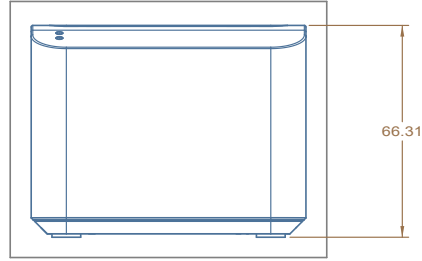
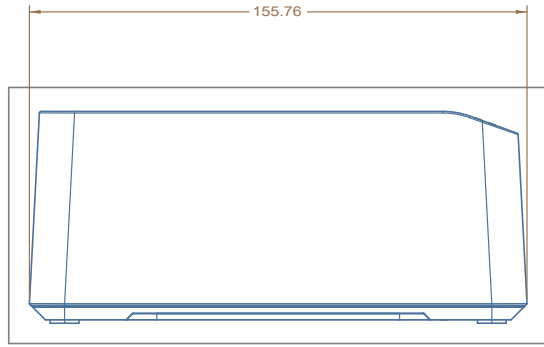
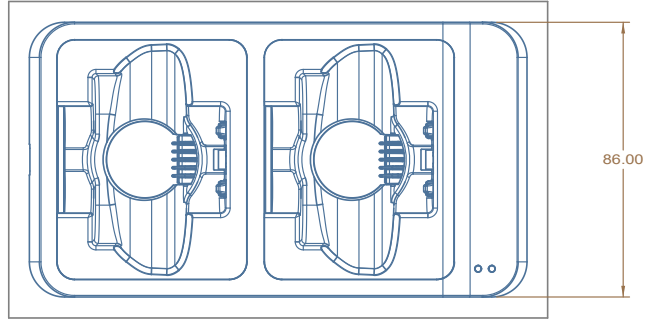


1 2 3 4 5 6 7 8 9 10 11 12



DRAWING NO: **MARKETING SBC203**

REVISION RECORD			
REV	ECO / PROCESS NUMBER	DESCRIPTION OF CHANGE NAME	DATE
			MMDDYYYY

**SHURE**  
SHURE INCORPORATED

<b>CONFIDENTIAL</b>		3RD ANGLE	
DRAWN: FOURNIV	04/14/2020		
CHK: X.XXX	MMDD/YYYY	TOL: 1 PL ±.13	2 PL ±.25
APP: N/A	MMDD/YYYY	a ±1A	

NOTES - NY CAD MODEL - DO NOT SCALE MUST CONFORM TO ENVIRONMENTAL COMPLIANCE SPEC - 6A278 - ALL DIMENSIONS IN mm UNLESS OTHERWISE SPECIFIED			
<b>NOTICE</b> THIS DRAWING IS THE PROPERTY OF SHURE INCORPORATED AND IS DISCLOSED TO YOU IN STRICT CONFIDENCE AND WITH THE UNDERSTANDING THAT IT IS NOT TO BE REPRODUCED, COPIED, OR USED IN ANY MANNER FOR THE PURPOSE OF PRODUCING TOOLS OR PRODUCTS EXCLUSIVELY FOR SHURE INCORPORATED. COPIES OF THIS DRAWING ARE TO BE MADE ONLY WHEN NECESSARY FOR THE PURPOSE STATED ABOVE AND ALL COPIES MUST CONTAIN THIS NOTICE. THIS DRAWING AND ALL COPIES MUST BE RETURNED ON REQUEST.			
DESCRIPTION: <b>MARKETING ASSEMBLY CHARGER</b> <b>SBC203</b>		FINISH: N/A	
MATL: N/A			
DWG NO: <b>MARKETING SBC203</b>	REV <b>00</b>	SIZE <b>D</b>	
PROJL: 12833A	SCALE: 1:1	SHEET: 1 OF 1	

1 2 3 4 5 6 7 8 9 10 11 12