

# Product Specifications

## Beta 87A Supercardioid Condenser Vocal Microphone

### Overview

The Shure Beta 87A is a precision-engineered supercardioid condenser vocal microphone with an exceptionally smooth frequency response. Built to withstand extreme sound pressure levels, the Beta 87A is ideal for professional sound reinforcement and studio recording applications - and constructed to withstand the rigors of touring.

### Features

- Premier live performance microphone with Shure quality, ruggedness, and reliability
- Uniform supercardioid pick-up pattern for maximum gain before feedback and superior rejection of off-axis sound
- Smooth, wide frequency response with gradual presence rise and controlled proximity effect tailored for vocals
- Advanced cartridge shock mount system absorbs mechanical shock and minimizes handling noise
- Dent-resistant steel mesh grille and enamel coated metal alloy construction resist wear and abuse
- Effective built-in pop filter reduces undesirable wind and breath noise
- Very low susceptibility to RF and electromagnetic hum



BETA 87A

### Available Models

Beta 87A	Supercardioid Condenser Vocal Microphone
----------	--

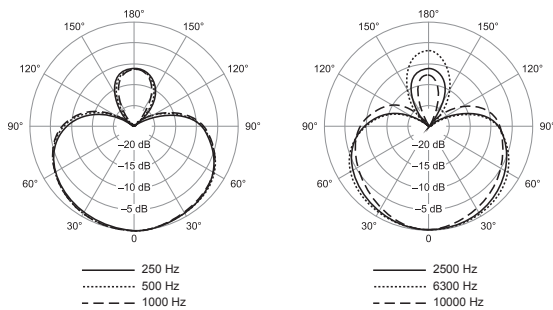
### Specifications

Cartridge Type	Electret Condenser
Frequency Response	50 to 20,000 Hz
Polar Pattern	Supercardioid
Output Impedance	150 ohms
Sensitivity (at 1kHz, open circuit voltage)	-52.5 dBV/Pa (2 mV) 1 Pascal=94 dB SPL
Maximum SPL (1 kHz at 1% THD, 1k ohms load)	140.5 dB
Signal-to-Noise Ratio (referenced at 94 dB SPL at 1 kHz)	70.5 dB S/N ratio is difference between 94 dB SPL and equivalent SPL of self noise, A-weighted
Dynamic Range (at 1 kHz, 1 k ohms load)	117 dB
Clipping Level (1 kHz at 0.25% THD, 1k ohms load)	-6 dBV (0.5 V)
Self Noise (typical, equivalent SPL, A-weighted)	23.5 dB typical
Polarity	Positive pressure on diaphragm produces positive voltage on pin 2 with respect to pin 3
Weight	Net: 0.207 kg (0.475 lbs)
Connector	Three-pin professional audio (XLR), male
Power Requirements	11 to 52 Vdc phantom (1.2 mA)

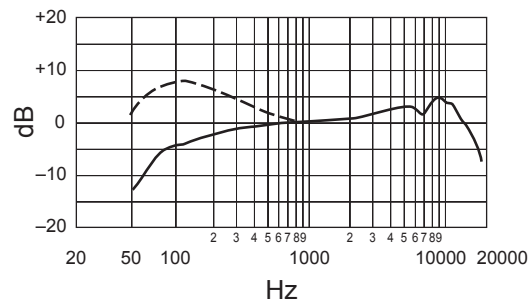
### Furnished Accessories

A25D	Swivel Adapter	95A2314	Carrying/Storage Bag
------	----------------	---------	----------------------

Polar Pattern



Frequency Response



**SHURE**<sup>®</sup>  
LEGENDARY  
PERFORMANCE™

www.shure.com

©2011 Shure Incorporated

CCI Solutions Call for The Best Available Price!  
be seen. be heard.® 800-562-6006