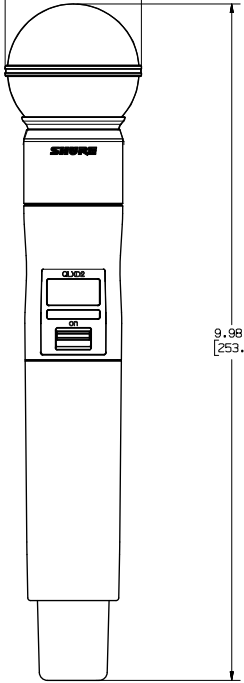
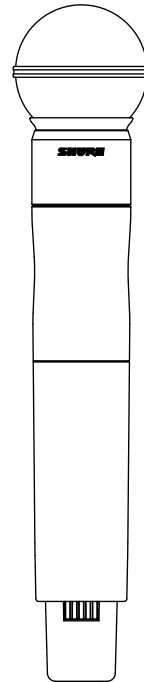
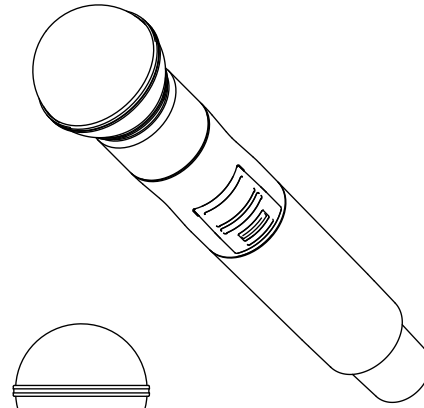
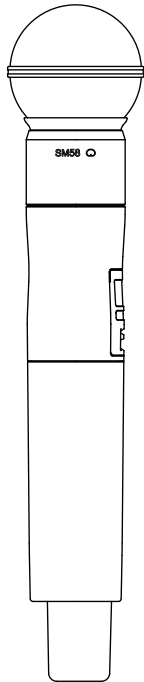


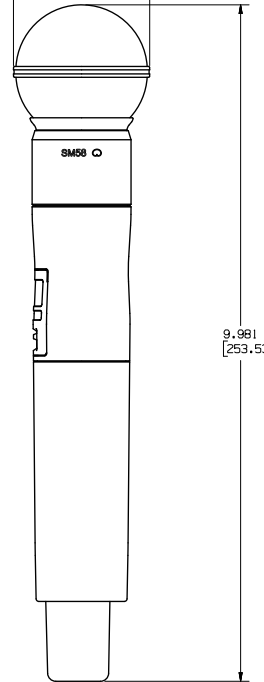
∅ 2.011
[51.08]



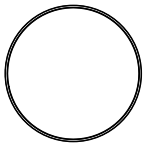
9.981
[253.53]



∅ 2.011
[51.08]



9.981
[253.53]



QLXD2 & SM58