



Sennheiser Documentation App



or online at
www.sennheiser.com/download
evolution wired_



e 614

Quick Guide

Kurzanleitung
Guide rapide
Guía rápida
Guía de inicio rápido
Guía rápido
Beknopte handleiding
Krótka instrukcja obsługi
Snabbguide

Kvikstartguide

Pikaohje
Γρήγορος οδηγός
Kisa Kilavuz
Краткая инструкция
快速指南
クイックガイド
퀵 가이드

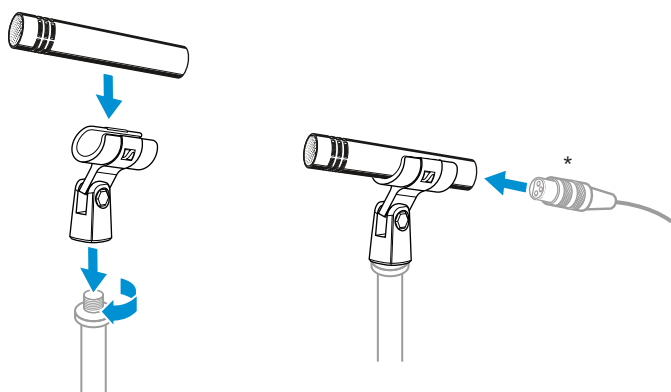
Sennheiser electronic GmbH & Co. KG

Am Labor 1, 30900 Wedemark, Germany
www.sennheiser.com

Printed in Germany
Publ. 07/18, 581327/A01

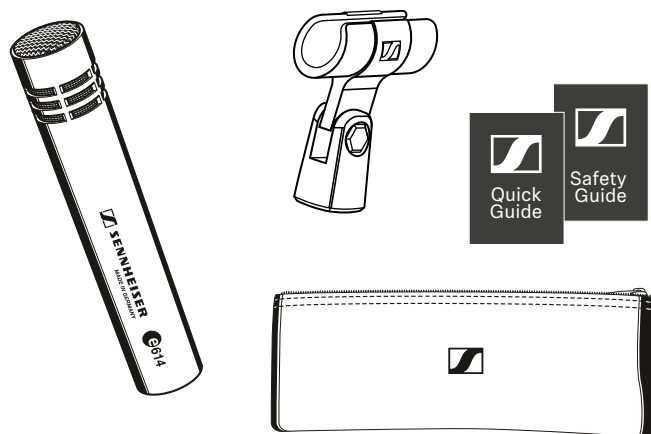
SENNHEISER

Setup



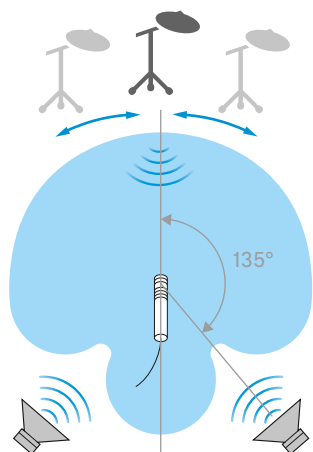
*XLR-3 cable not included

In the box

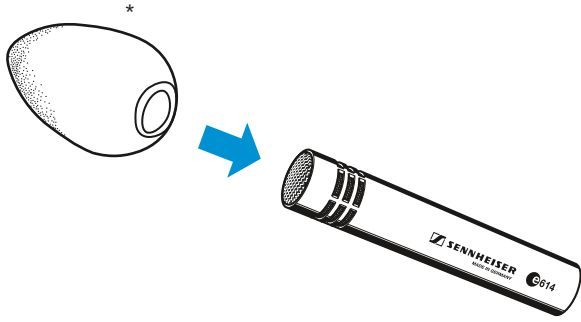


Overview

- 1 Sound inlet basket
- 2 XLR-3 connector

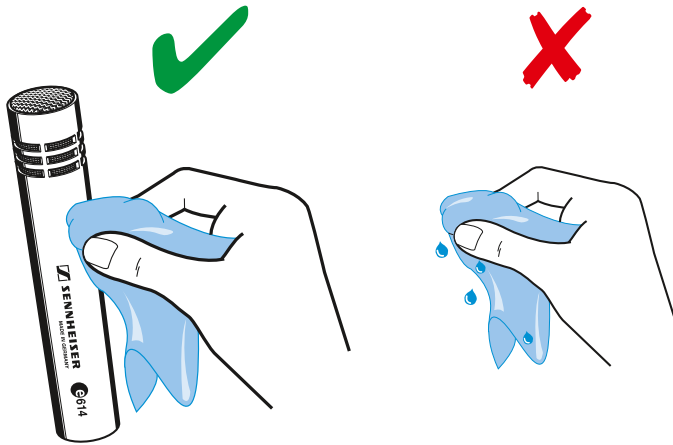


Accessory



*MZW 64 not included

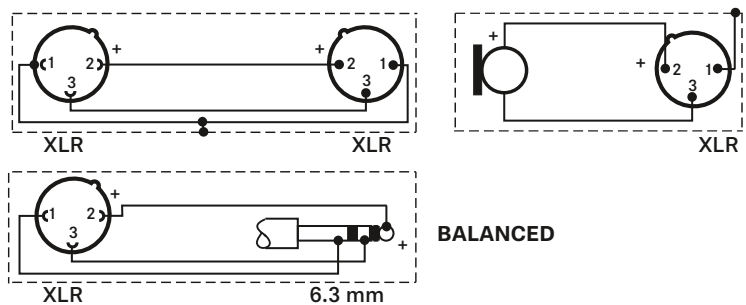
Cleaning



Specifications

Transducer principle	pre-polarised condenser microphone
Frequency response	40 - 20,000 Hz
Pick-up pattern	super-cardioid
Sensitivity (free field, at 1 kHz)	3 mV/Pa
Nominal impedance (at 1 kHz)	50 Ω
Min. terminating impedance	1 kΩ
Max. sound pressure level (at 1 kHz)	139 dB
Equivalent noise level	24 dB(A)
weighted as per CCIR 468-3	35 dB
Phantom powering	12 - 48 V
Connector	XLR-3
Dimensions	∅ 20 x 100 mm
Weight	93 g

Connector assignment



Polar pattern and frequency response

