



### Sennheiser Documentation App



or online at  
[www.sennheiser.com/download](http://www.sennheiser.com/download)  
 evolution wired\_



# e 602 II

#### Quick Guide

Kurzanleitung  
 Guide rapide  
 Guida rapida  
 Guía de inicio rápido  
 Guia rápido  
 Beknopte handleiding  
 Krótka instrukcja obsługi  
 Snabbguide

#### Kvikstartguide

Pikaohje  
 Γρήγορος οδηγός  
 Kısa Kılavuz  
 Краткая инструкция  
 快速指南  
 快速使用指南  
 クイックガイド  
 퀵 가이드

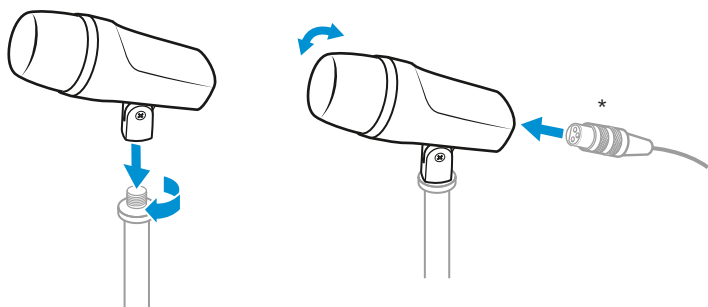
Sennheiser electronic GmbH & Co. KG

Am Labor 1, 30900 Wedemark, Germany  
[www.sennheiser.com](http://www.sennheiser.com)

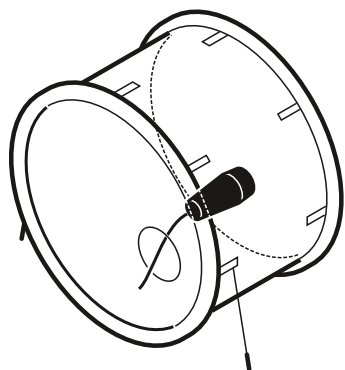
Printed in Germany  
 Publ. 07/18, 581323/A01

## SENNHEISER

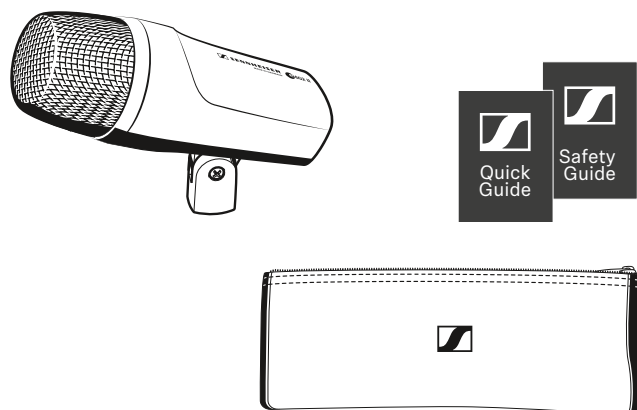
### Setup



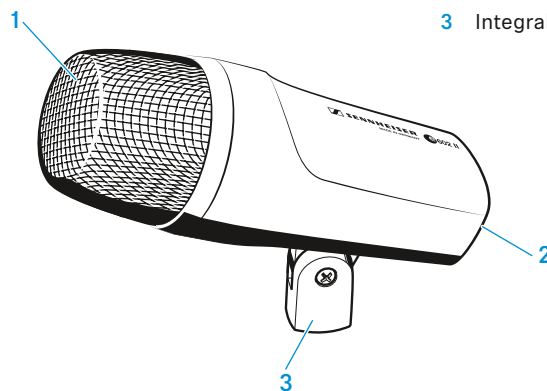
\*XLR-3 cable not included



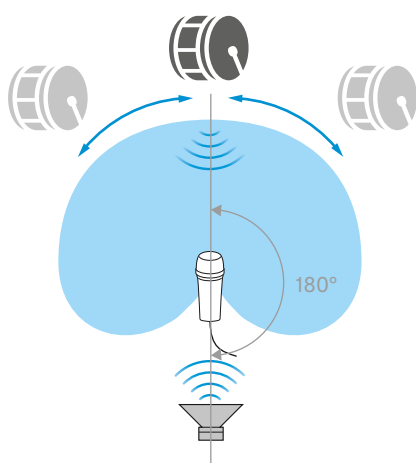
### In the box



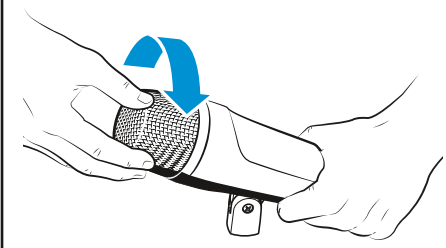
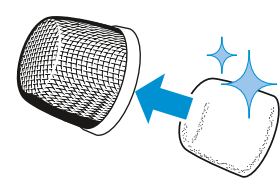
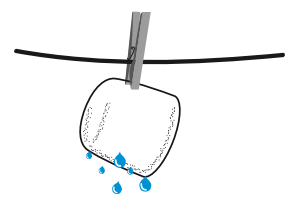
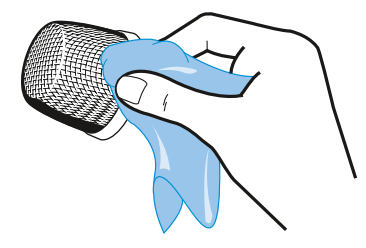
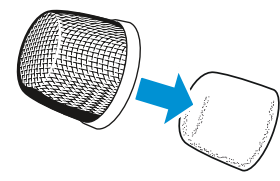
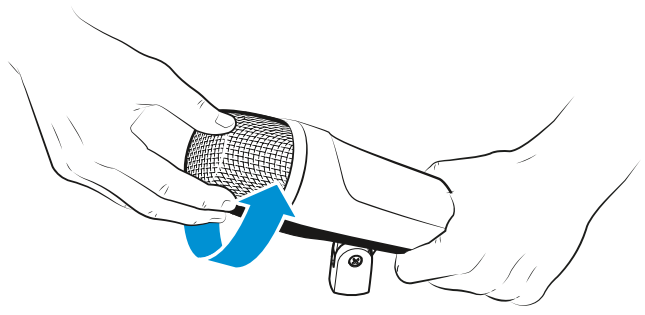
### Overview



- 1 Sound inlet basket
- 2 XLR-3 connector
- 3 Integral stand mount



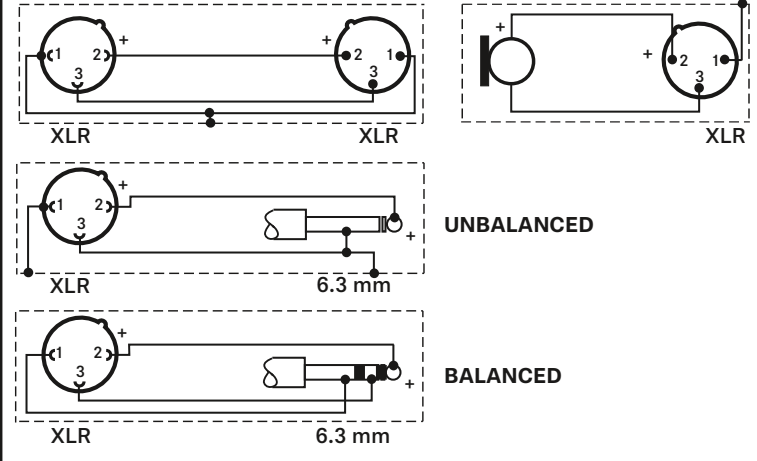
## Cleaning



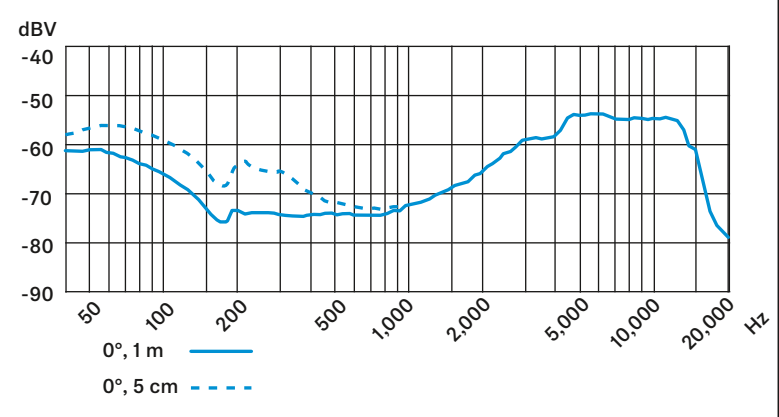
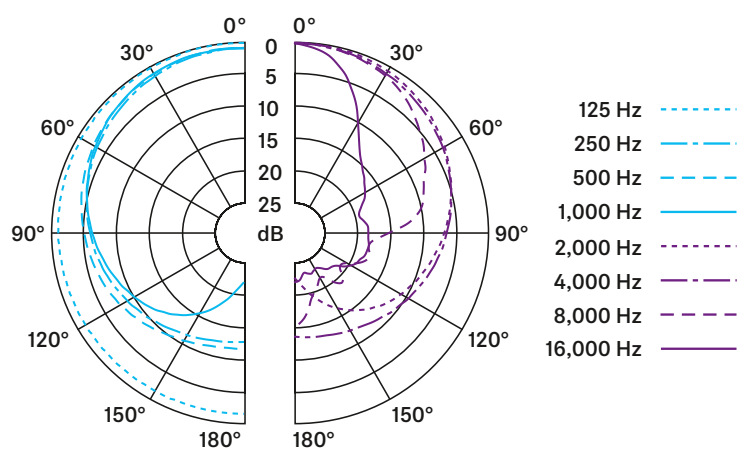
## Specifications

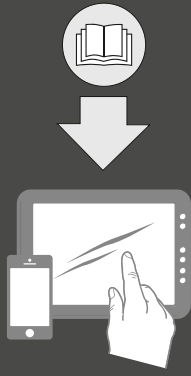
Transducer principle	dynamic
Frequency response	20 - 16,000 Hz
Pick-up pattern	cardioid
Sensitivity (free field)	0.9 mV/Pa (at 50 Hz) 0.25 mV/Pa (at 1 kHz)
Nominal impedance (at 1 kHz)	350 Ω
Min. terminating impedance	1 kΩ
Connector	XLR-3
Dimensions	∅ 60 x 153 mm
Weight	318 g

## Connector assignment



## Polar pattern and frequency response





**Sennheiser Documentation App**



or online at  
[www.sennheiser.com/download](http://www.sennheiser.com/download)  
 evolution wired\_



**e 604**

Quick Guide  
 Kurzanleitung  
 Guide rapide  
 Guida rapida  
 Guía de inicio rápido  
 Guia rápido  
 Beknopte handleiding  
 Krótka instrukcja obsługi  
 Snabbguide

Kvikstartguide  
 Pikaohje  
 Γρήγορος οδηγός  
 Kısa Kılavuz  
 Краткая инструкция  
 快速指南  
 快速使用指南  
 クイックガイド  
 퀵 가이드

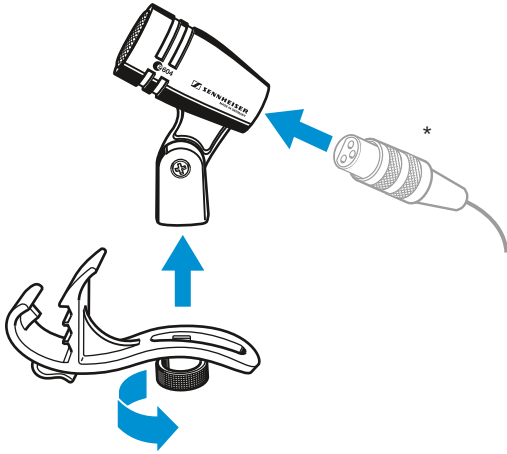
Sennheiser electronic GmbH & Co. KG

Am Labor 1, 30900 Wedemark, Germany  
[www.sennheiser.com](http://www.sennheiser.com)

Printed in Germany  
 Publ. 07/18, 581324/A01

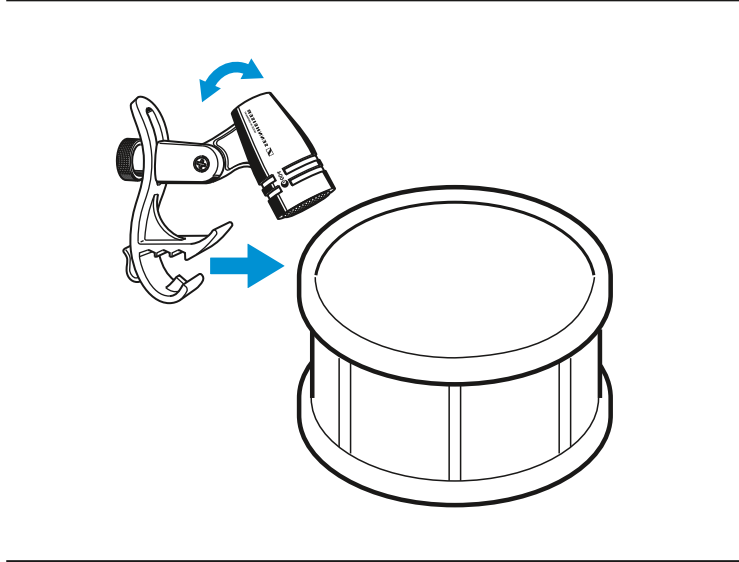
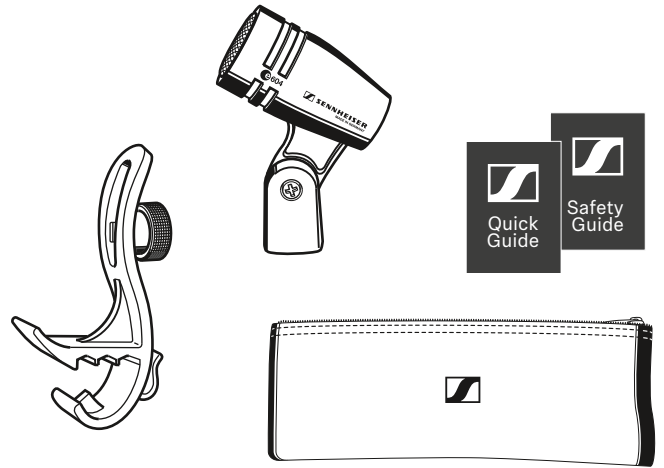
**SENNHEISER**

**Setup**

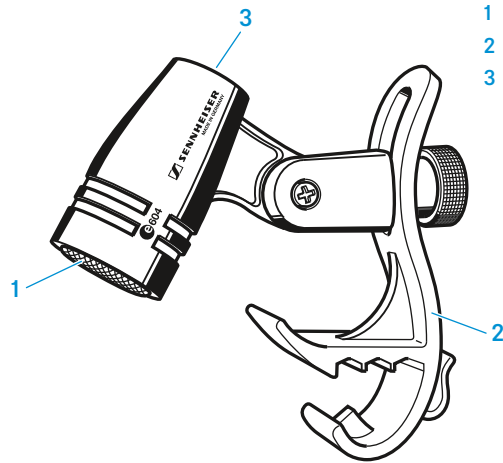


\*XLR-3 cable not included

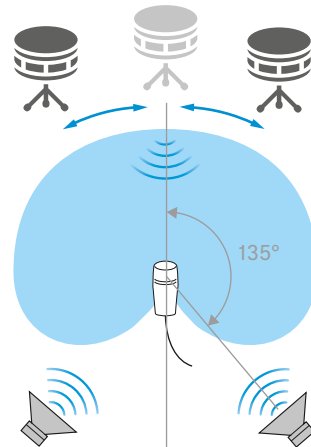
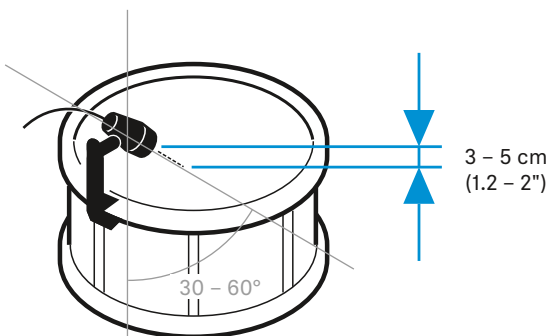
**In the box**



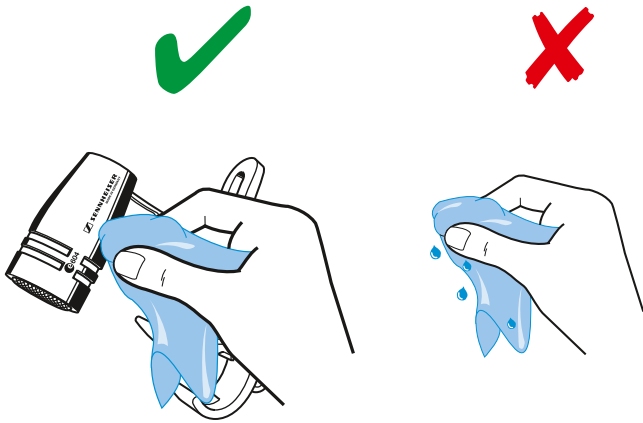
**Overview**



- 1 Sound inlet basket
- 2 Microphone clamp
- 3 XLR-3 connector



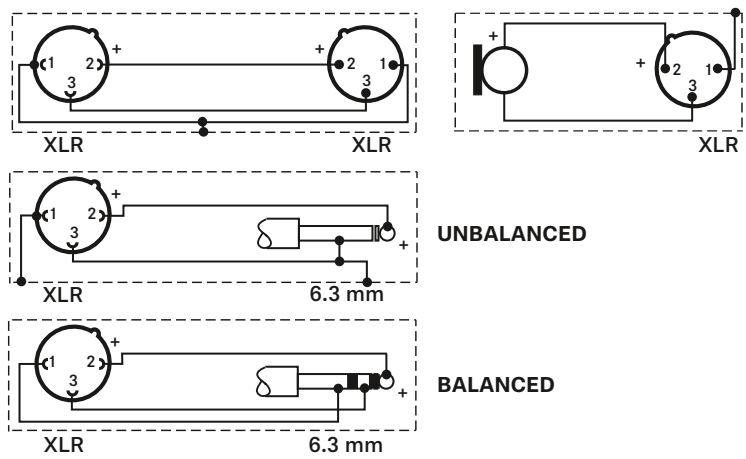
### Cleaning



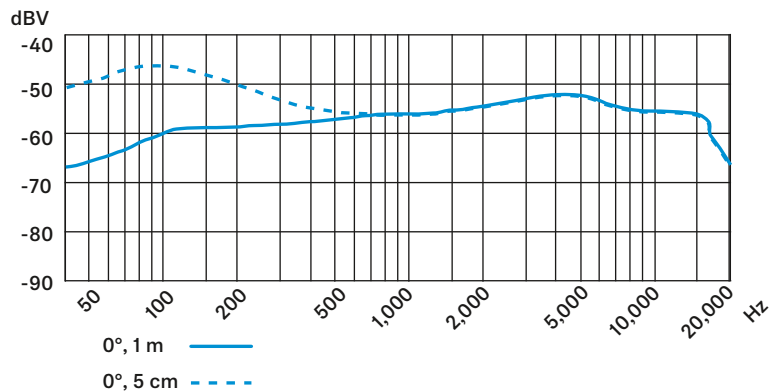
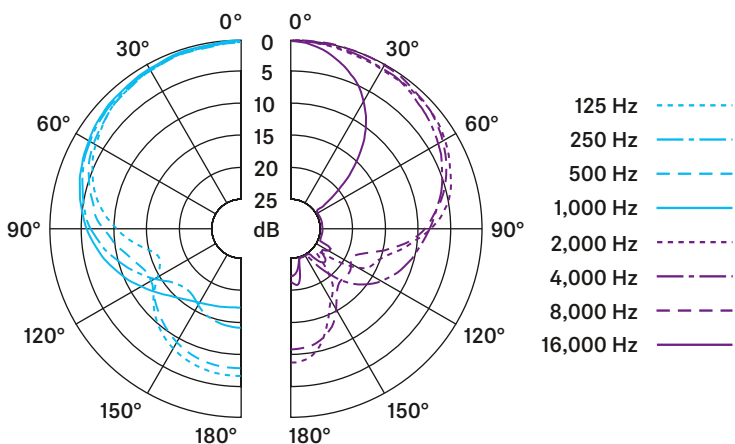
### Specifications

Transducer principle	dynamic
Frequency response	40 - 18,000 Hz
Pick-up pattern	cardioid
Sensitivity (free field, at 1 kHz)	1.8 mV/Pa
Nominal impedance (at 1 kHz)	350 Ω
Min. terminating impedance	1 kΩ
Connector	XLR-3
Dimensions	∅ 33 x 59 mm
Weight	60 g

### Connector assignment



### Polar pattern and frequency response





### Sennheiser Documentation App



or online at  
[www.sennheiser.com/download](http://www.sennheiser.com/download)  
evolution wired\_



# e 614

#### Quick Guide

Kurzanleitung  
Guide rapide  
Guía rápida  
Guía de inicio rápido  
Guía rápido  
Beknopte handleiding  
Krótka instrukcja obsługi  
Snabbguide

#### Kvikstartguide

Pikaohje  
Γρήγορος οδηγός  
Kisa Kilavuz  
Краткая инструкция  
快速指南  
クイックガイド  
퀵 가이드

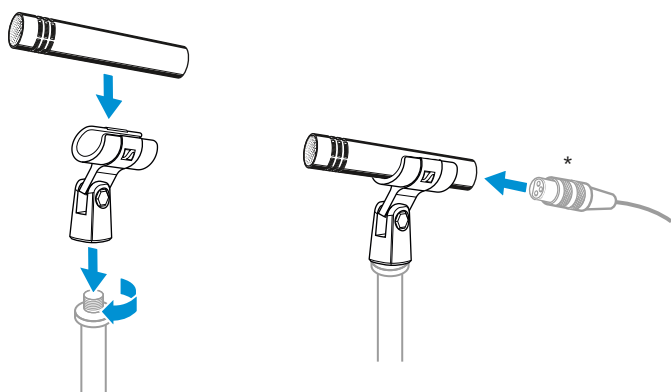
Sennheiser electronic GmbH & Co. KG

Am Labor 1, 30900 Wedemark, Germany  
[www.sennheiser.com](http://www.sennheiser.com)

Printed in Germany  
Publ. 07/18, 581327/A01

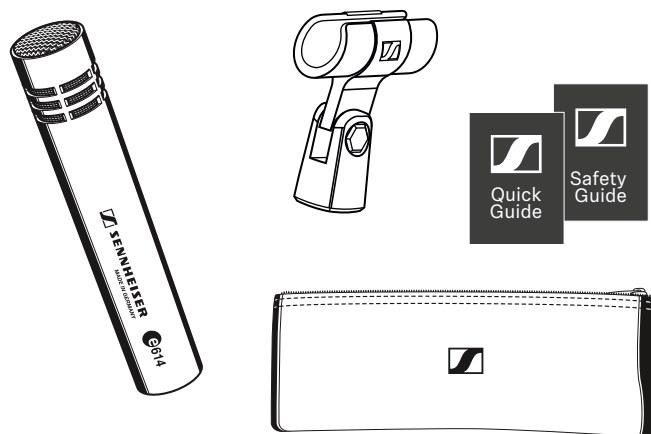
## SENNHEISER

### Setup



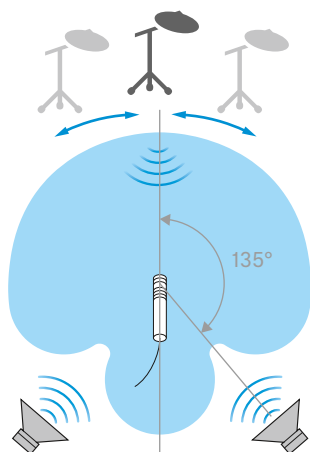
\*XLR-3 cable not included

### In the box

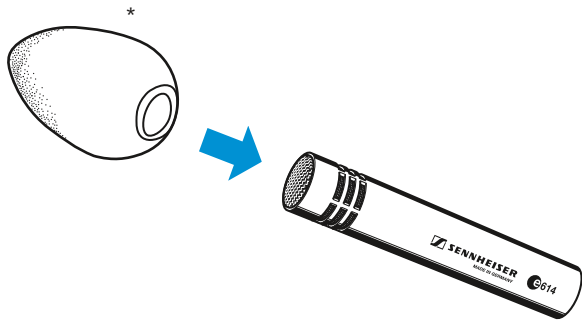


### Overview

- 1 Sound inlet basket
- 2 XLR-3 connector

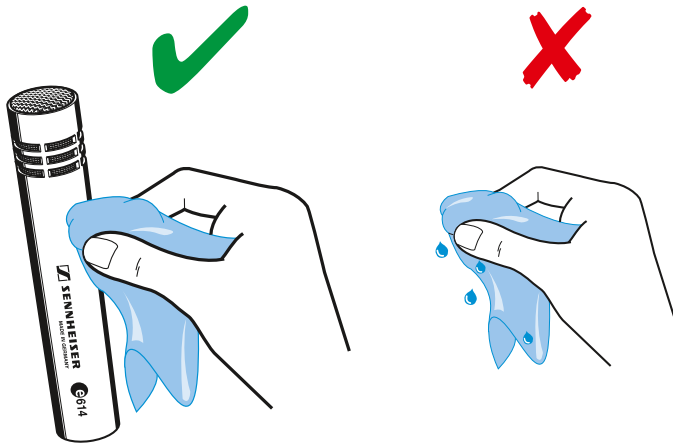


## Accessory



\*MZW 64 not included

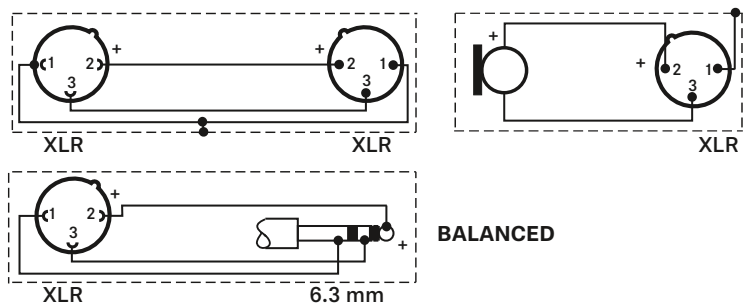
## Cleaning



## Specifications

Transducer principle	pre-polarised condenser microphone
Frequency response	40 - 20,000 Hz
Pick-up pattern	super-cardioid
Sensitivity (free field, at 1 kHz)	3 mV/Pa
Nominal impedance (at 1 kHz)	50 Ω
Min. terminating impedance	1 kΩ
Max. sound pressure level (at 1 kHz)	139 dB
Equivalent noise level	24 dB(A)
weighted as per CCIR 468-3	35 dB
Phantom powering	12 - 48 V
Connector	XLR-3
Dimensions	∅ 20 x 100 mm
Weight	93 g

## Connector assignment



## Polar pattern and frequency response

