



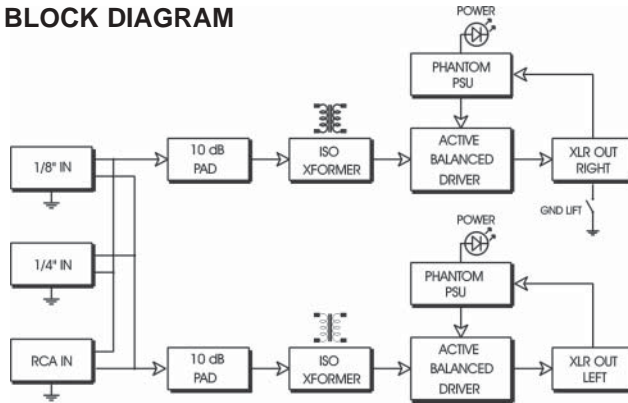
J-PC

User Guide

CCI Solutions
be seen. be heard.

For more information or to order call
1-800-426-8664 or visit www.ccisolutions.com

SPECIFICATIONS & BLOCK DIAGRAM



J-PC Specifications	
Frequency range	40Hz to 20kHz , (+/- 3dB)
Type	Active with isolated inputs
Powering	48-Volt phantom powered, 5mA draw
Size	2" x 3" x 6"
Weight	1kg or 2lbs
Dynamic range	80dB
Distortion	0.5% at 1kHz with -10dB input
Intermodulation distortion	Less than 1%
Phase distortion	Less than 5° at 100Hz, 0.1° at 1kHz
Linear response	+/- 1dB from 50Hz to 15kHz
	+/- 3dB from 20Hz to 20kHz
Input connections	1/4" TRS, 1/8" TRS, dual stereo RCA
Output connections	XLR balanced, AES pin-2 HOT