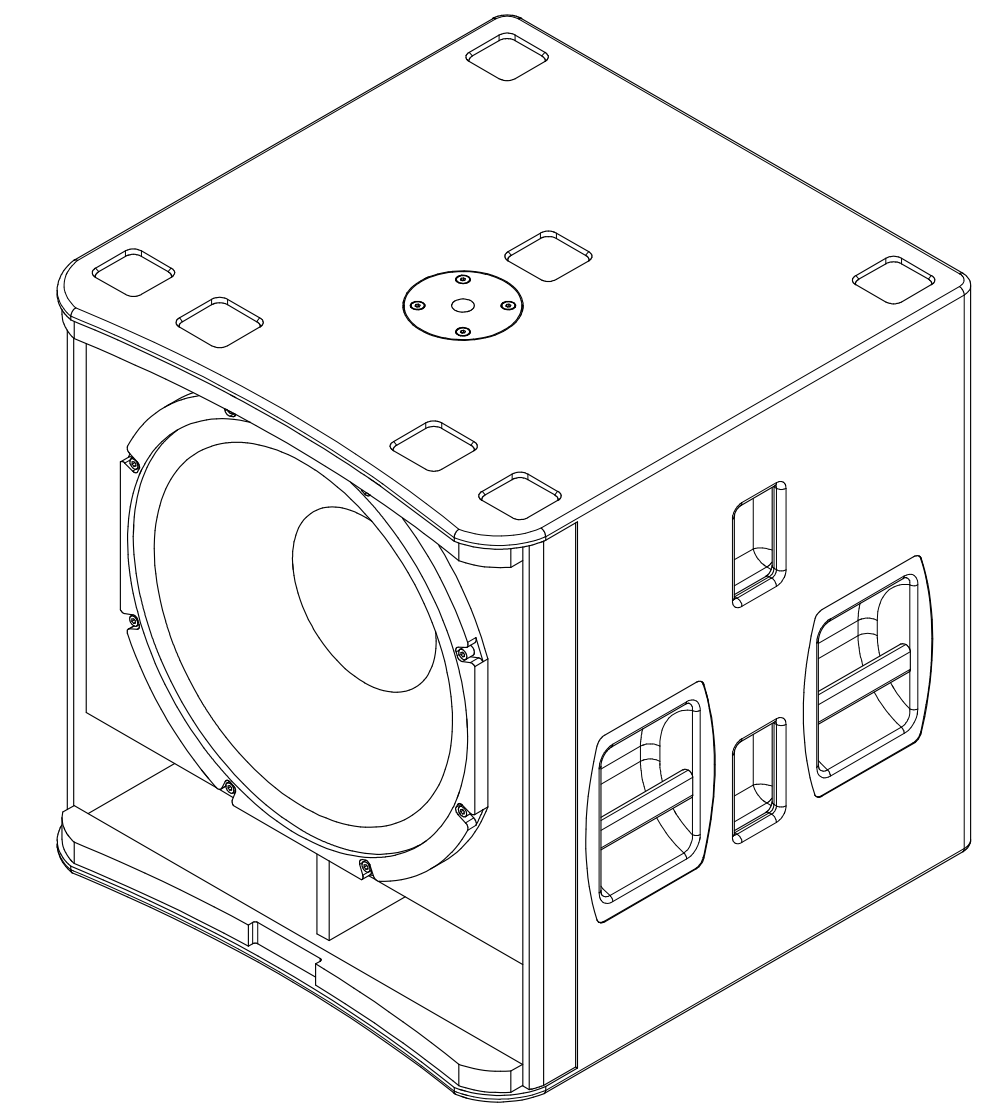
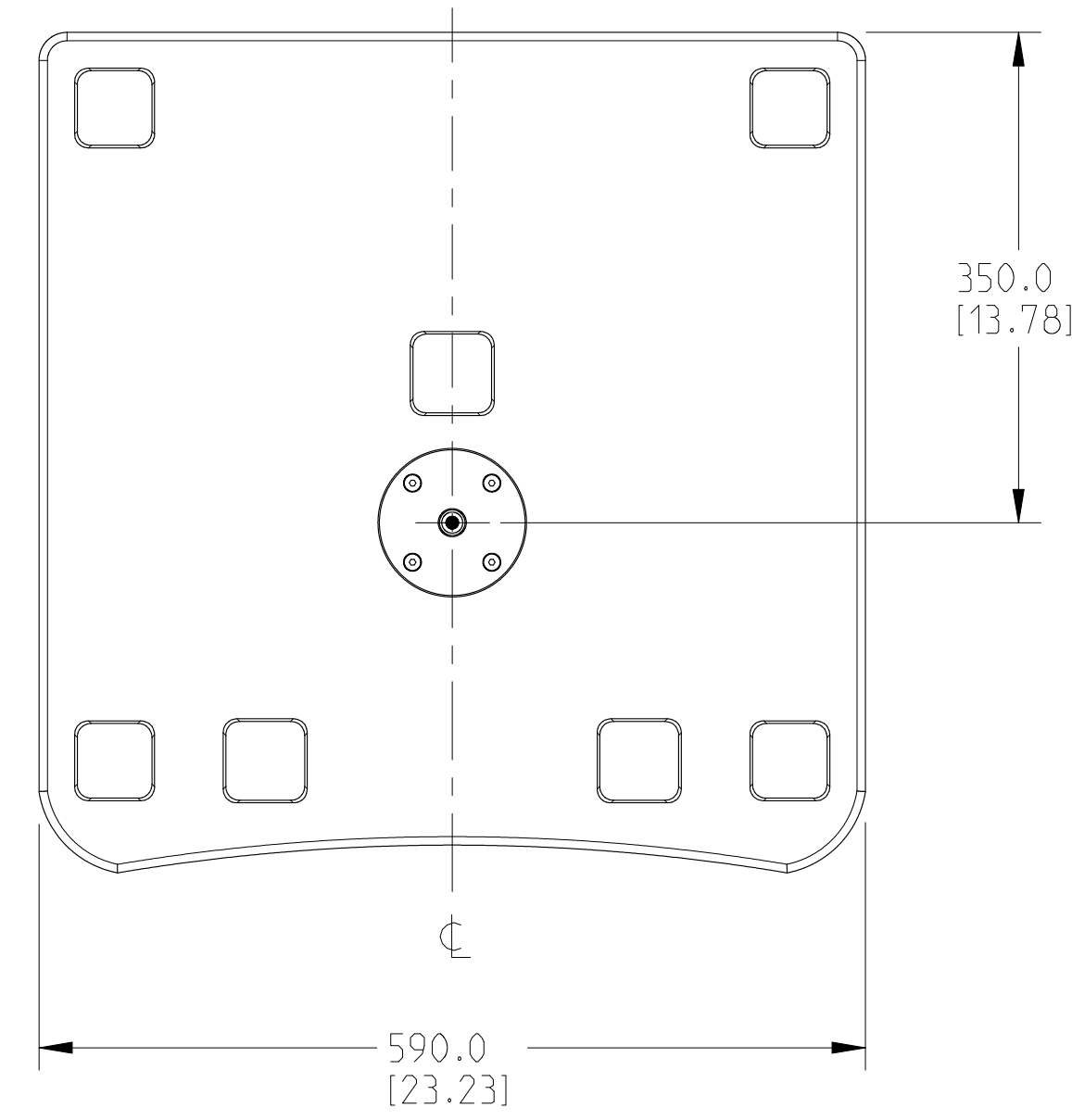
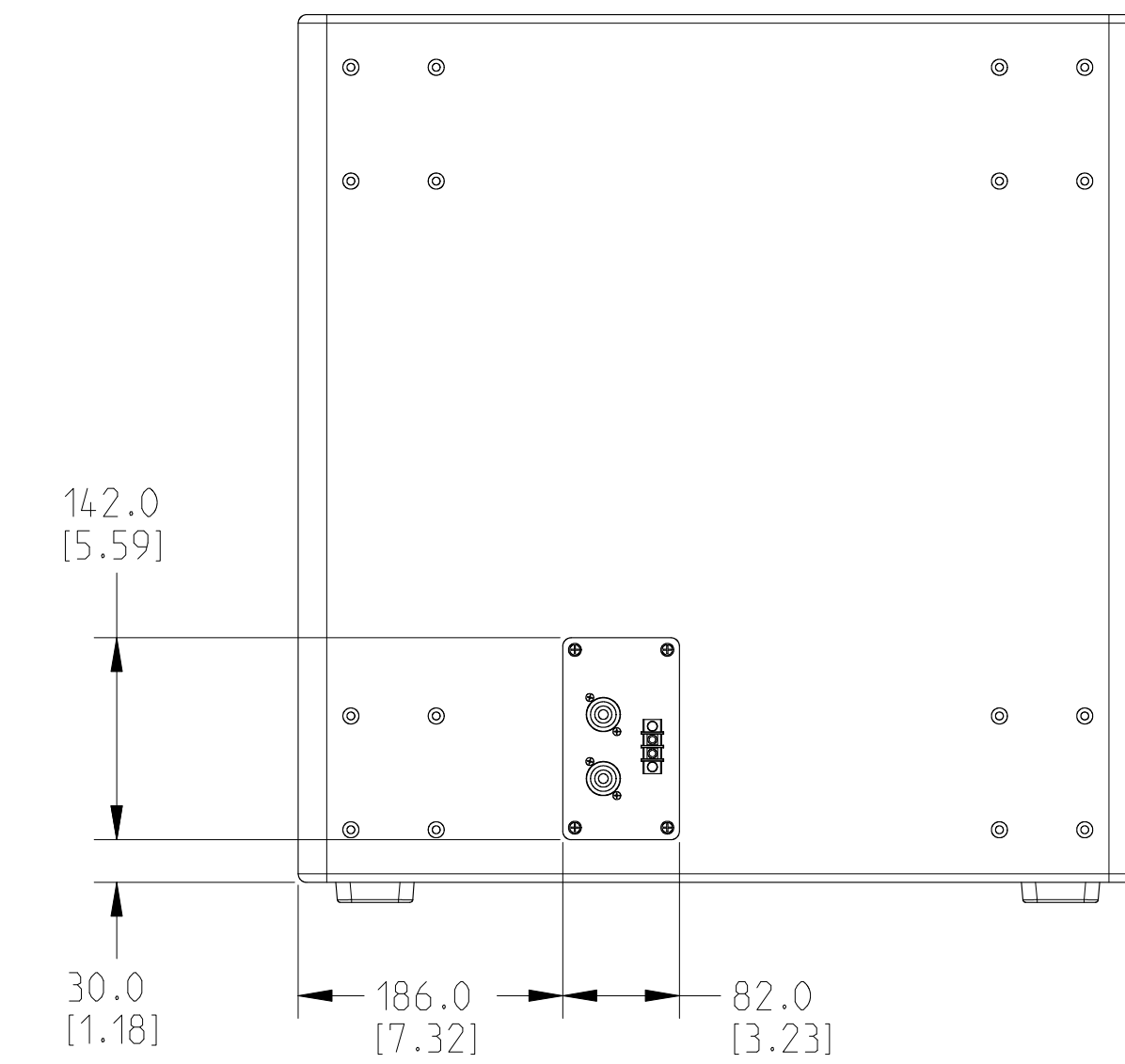
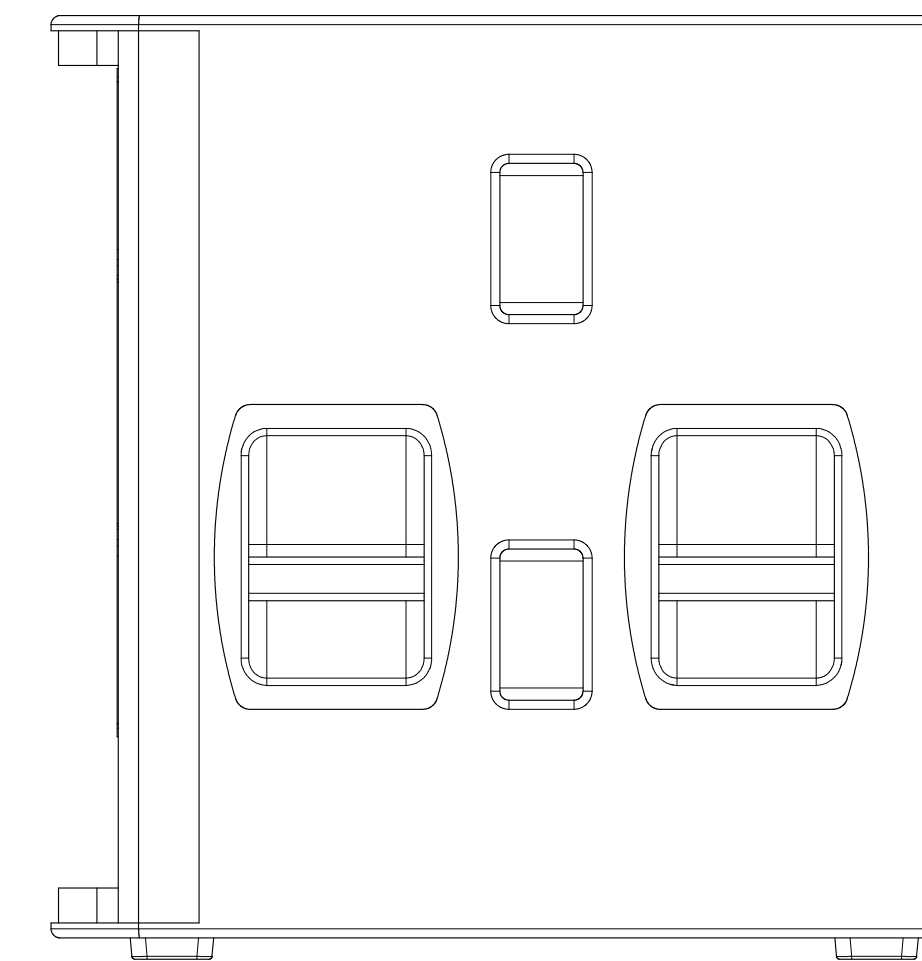
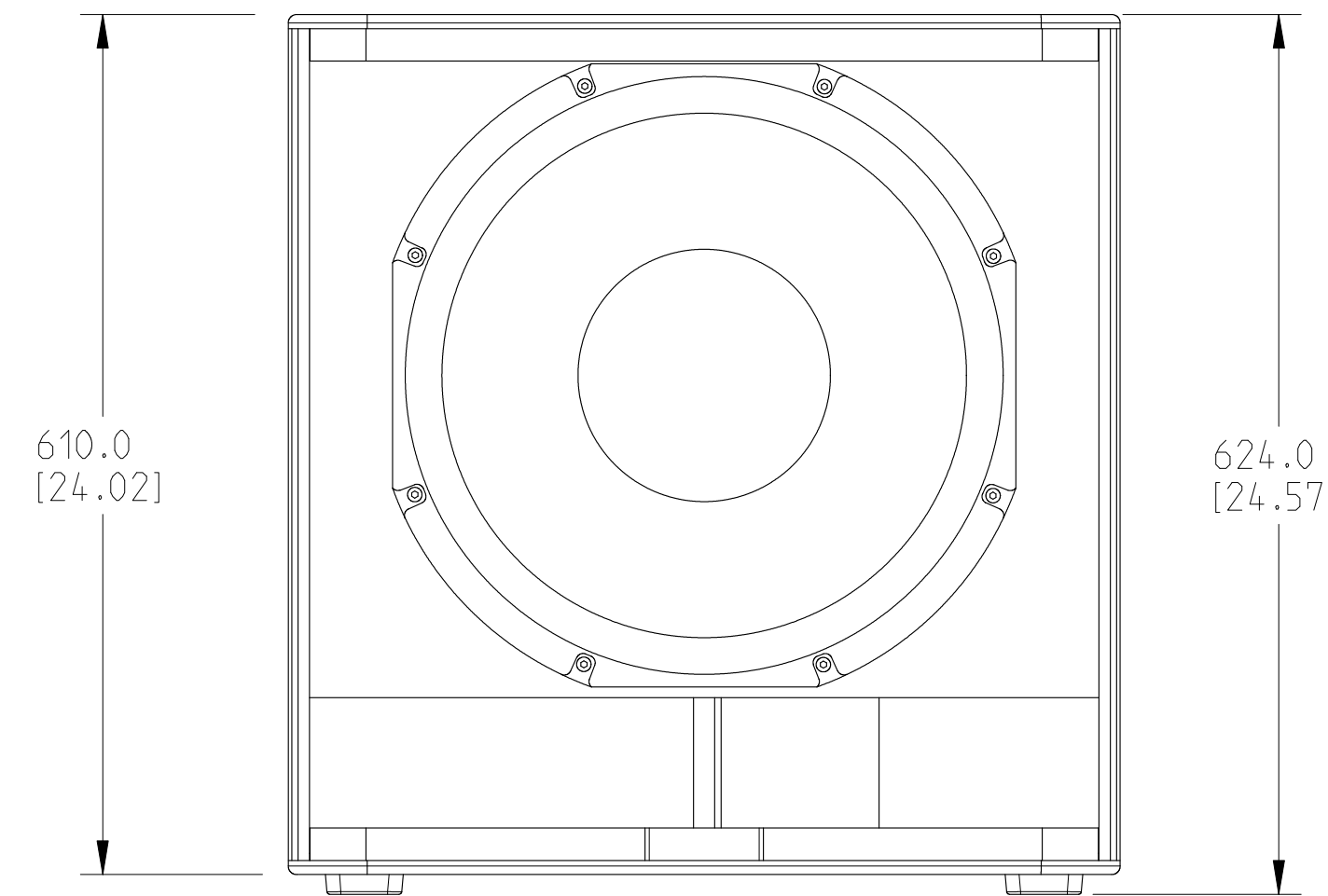
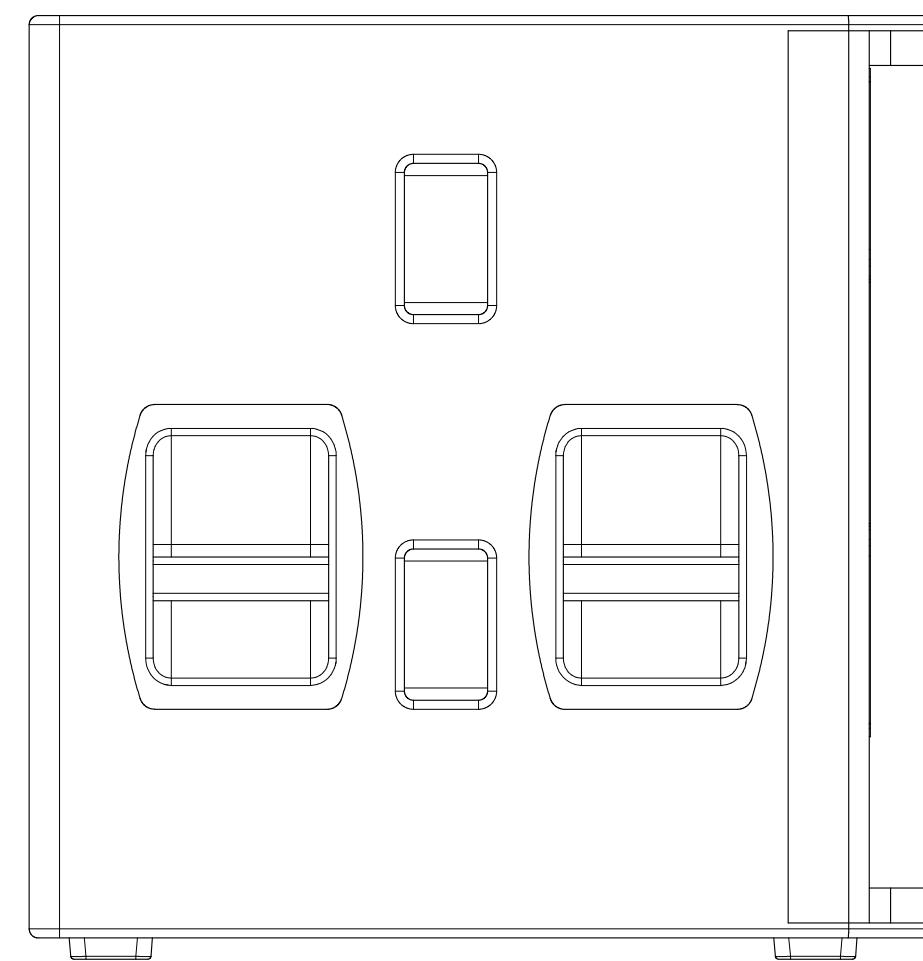


THIS DOCUMENT CONTAINS PROPRIETARY INFORMATION WHICH IS THE PROPERTY OF QSC, LLC. THAT MAY NOT BE DISCLOSED, REPRODUCED OR USED WITHOUT EXPRESS WRITTEN CONSENT FROM QSC, LLC.

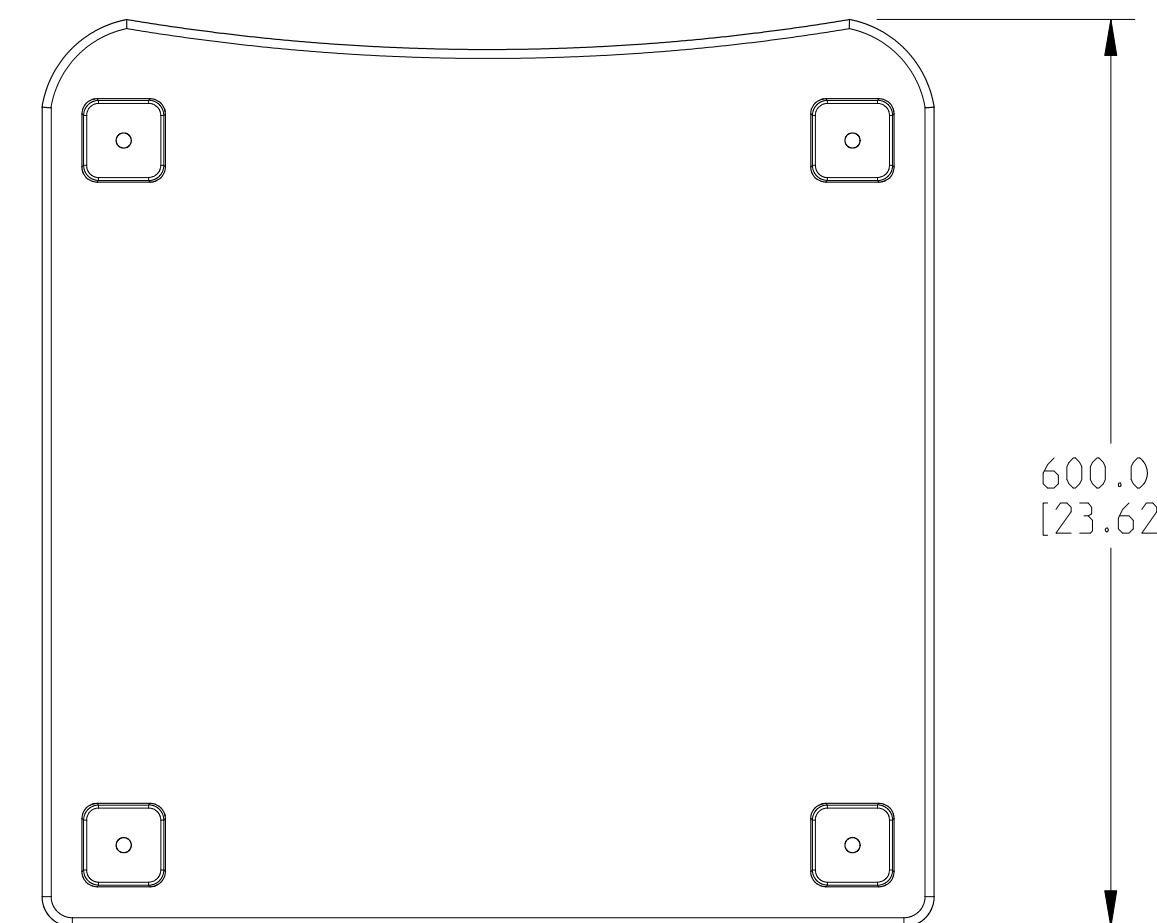
REVISIONS			
REV	DESCRIPTION	BY	DATE
A	RELEASE FOR SALES AND MARKETING	ES	23-MAR-18



SCALE 0.150



REAR VIEW



6. GRILLE NOT SHOWN FOR CLARITY.
5. DIMENSIONS ARE IN MILLIMETERS [INCH].
4. PARTS ARE SYMMETRICAL ABOUT CENTER LINES UNLESS OTHERWISE NOTED.
3. SYMBOL ● INDICATES POLE MOUNT LOCATION, M20 THD. POLE MOUNT SOCKET.
2. TOLERANCES (MM): X ± 3, ANGLES: ± 1°.
1. NET WEIGHT APPROX. 44.91 KG [99.0 LBS].

NOTE: UNLESS OTHERWISE SPECIFIED

UNLESS OTHERWISE SPECIFIED DIMENSIONS IN MILLIMETERS (IN) TOLERANCES ARE: DECIMALS DECIMALS ANGLES .X±.5(.02) .XX±.25(.010) ± 1/2 DEBURR EDGES .25 (1.010) R MAX	DESIGNER ENG. SERVICES	QSC, LLC 1675 MACARTHUR BOULEVARD COSTA MESA, CA 92626
	ENGINEER	
MATERIAL	TECHNICAL DIRECTOR	LOUDSPEAKER, E118SW -BK, 18" SUBWOOFER
FINISH	MANUFACTURING ENGINEER	
DRAWING INFO: FG-901264-2D.A.0	MODEL INFO: FG-901264-3D.A.0	SIZE D CAGE CODE 00PW4 DRAWING NO. FG-901264-2D REV A SCALE: 0.200 DO NOT SCALE DRAWING SHEET 1 OF 1