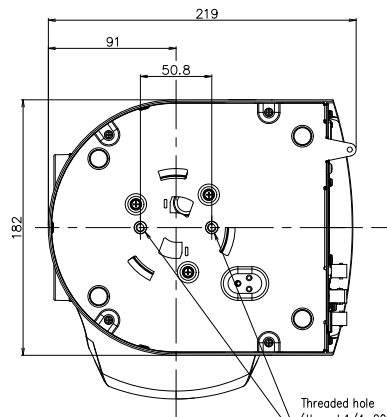
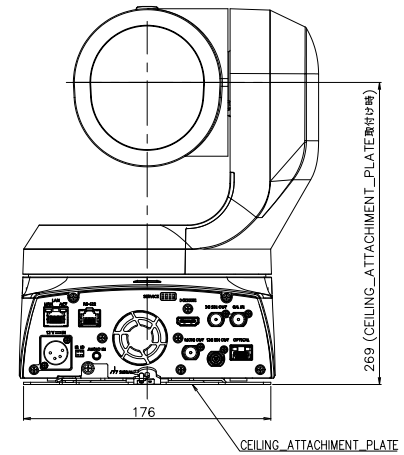
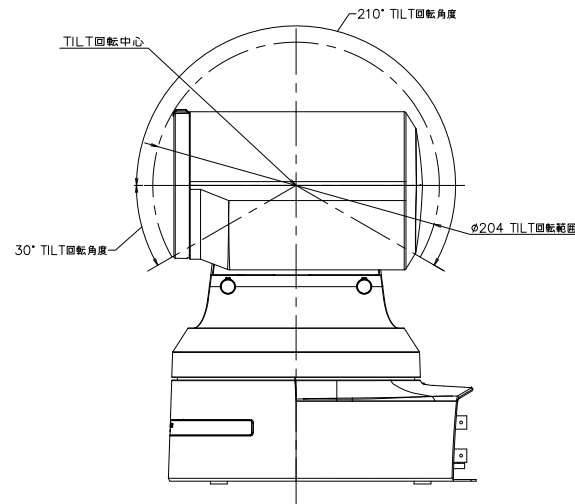
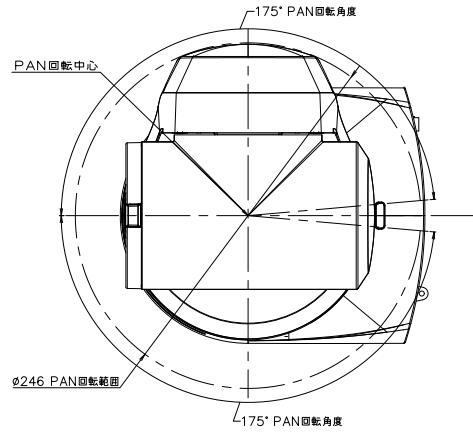
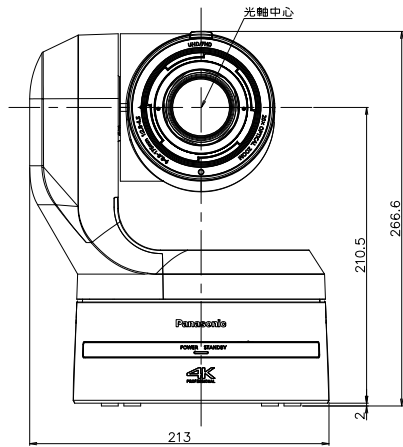


AW-UE150W/K



Threaded hole
(thread: 1/4-20UNC, ISO [6.35mm])
有効ネジ深±10(Max)

