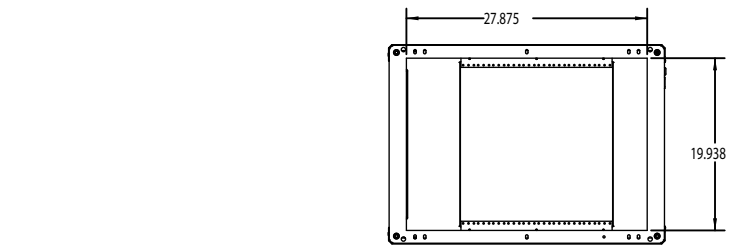
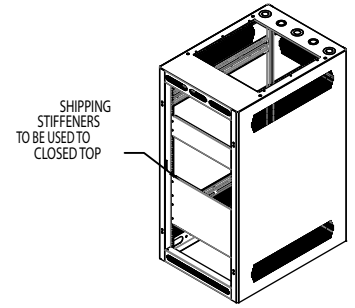
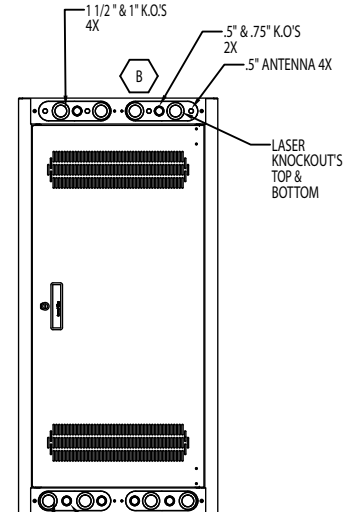
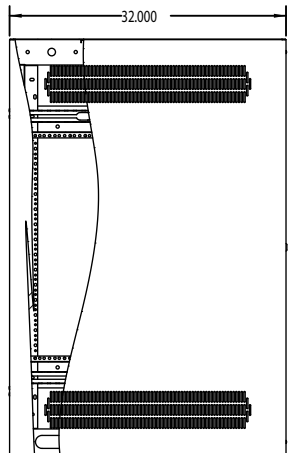
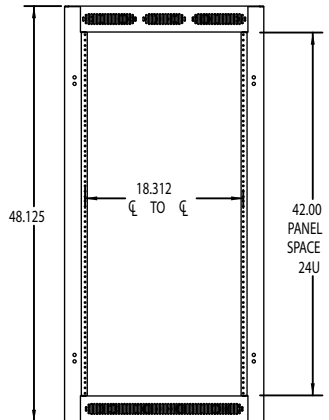
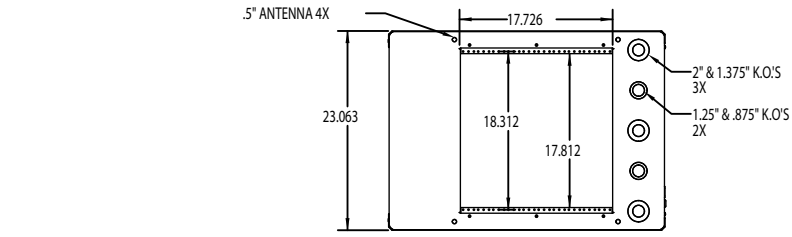


		REVISIONS		
ECN	REV.	DESCRIPTION	DATE	BY
	A	DRAWING CREATED	4/30/07	KW
	B		7/22/2019	



ITEM NO.	Default/QTY.	PART NUMBER	DESCRIPTION
1	1	SP7	SP7 BLANK PANEL
2	1	SP3	SP3 BLANK PANEL
3	3	18970	RDD24
4	4	17048	3/8\"/>
5	8	8579	NUT INSERT 10-32
6	12	3325	11/32 PLUG HOLE
7	4	3866	SCW 10-32 x .500
8	2	20845	17.5\"/>
9	1	20848	LER2432 PNTS SA
10	1	18828	LRD-V-24
11	6	18918	RIVET POP 3/16\"/>

P/N: LER-2432

UNLESS OTHERWISE SPECIFIED:		DATE	Lowell		HEARD EVERYWHERE
DIMENSIONS ARE IN INCHES		NAME	KW		
TOLERANCES:		DATE	12/7/05		
FRACTIONAL: ± 1/64		WHERE USED:			
DECIMAL: ± 0.004		TITLE:			
ANGULAR: ± 1.0°		LER-2432			
THREE PLACE DECIMAL: ± 0.001		PROPERTY AND CONFIDENTIAL			
THE INFORMATION CONTAINED HEREIN IS THE SOLE PROPERTY OF LOWELL MFG. ANY REPRODUCTION IN WHOLE OR IN PART WITHOUT THE WRITTEN PERMISSION OF LOWELL MFG. IS PROHIBITED.		SIZE	DWG. NO.	REV.	
www.Lowellmfg.com		C	LER-2432	B	
SCALE: 1:16		SHEET SCALE: DRAWING		SHEET 1 OF 1	