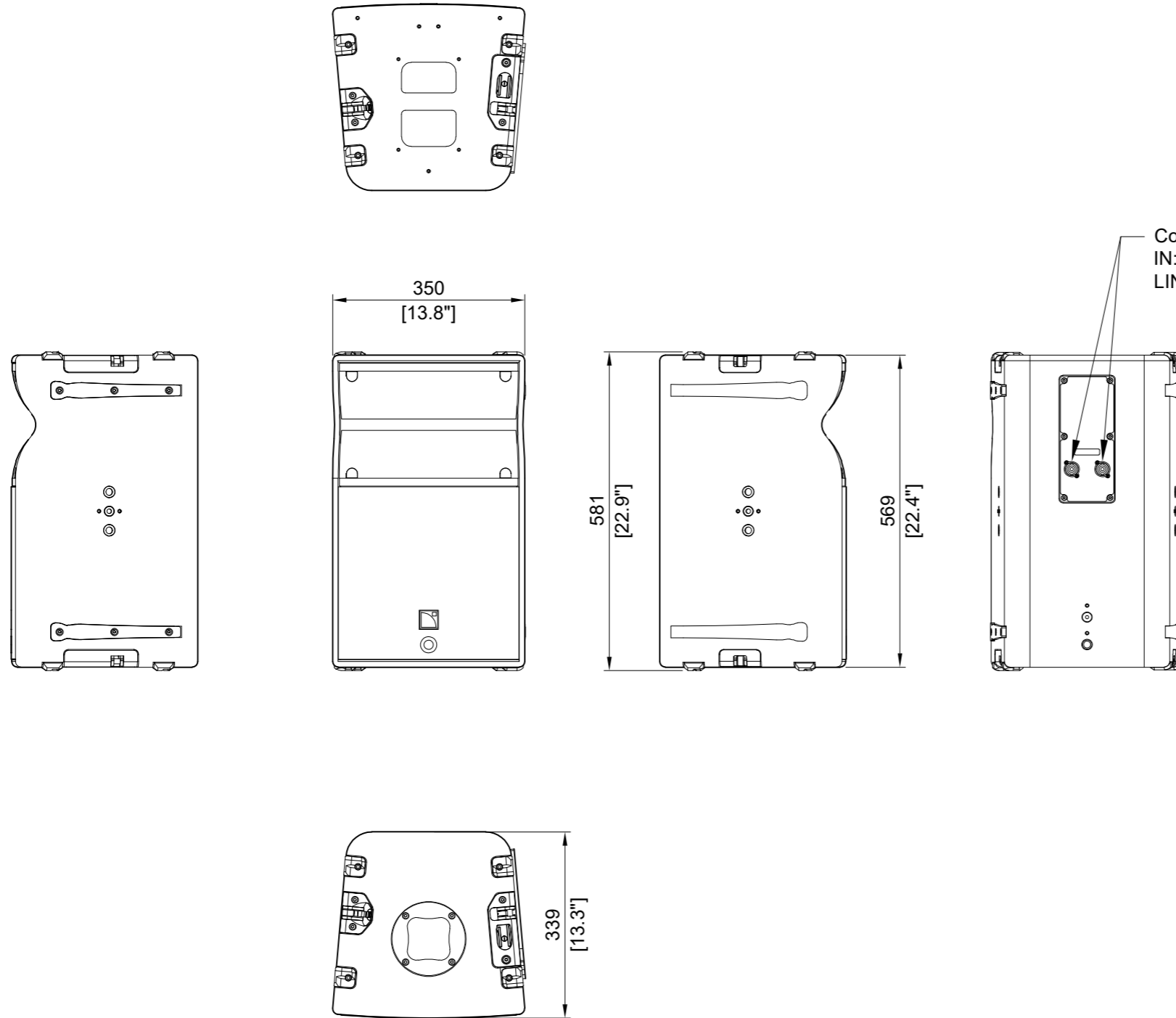
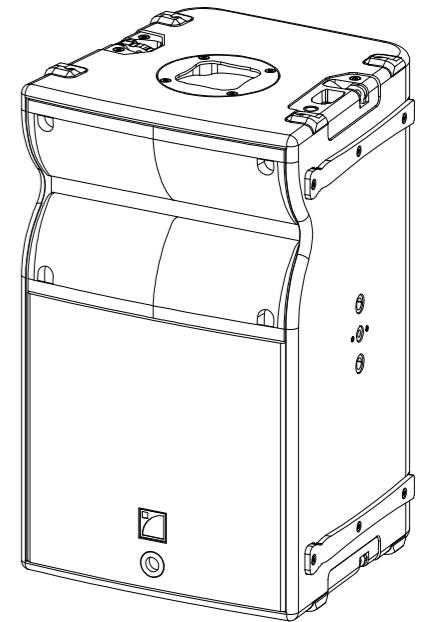


LOUDSPEAKER ENCLOSURE

A10 FOCUS

3D View



Connectors:
IN: 1 x 4-point SpeakON
LINK: 1 x 4-point SpeakON

Drawn by:	DAVID.LY		
Date:	2019-09-04		
Scale:	1/10	Dim: mm / inches	
Format:	A3	Weight (Kg/lbs):	22 Kg / 49 lb

	Referential axis of symmetry	
--	------------------------------	--

Rev.	Date:	Modifications:

	13 Rue Levacher Cintrat
	Parc de la Fontaine de Jouvance
	91462 MARCOUSSIS CEDEX
	- FRANCE -
	Tel: +33 (0)1.69.63.69.63
Fax: +33 (0)1.69.63.69.64	
Email: application@l-acoustics.com	

These drawing are the property of L-ACOUSTICS. All reproduction, copy or communication is forbidden without written permission.