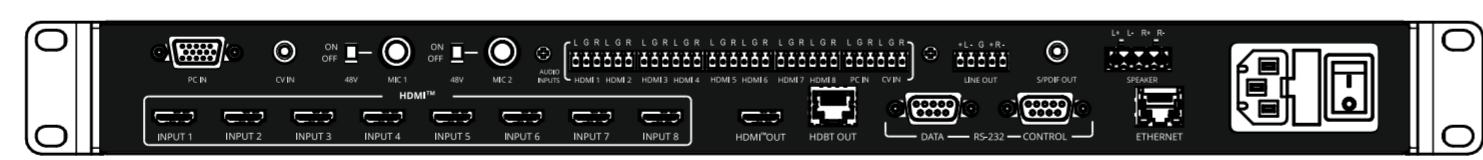
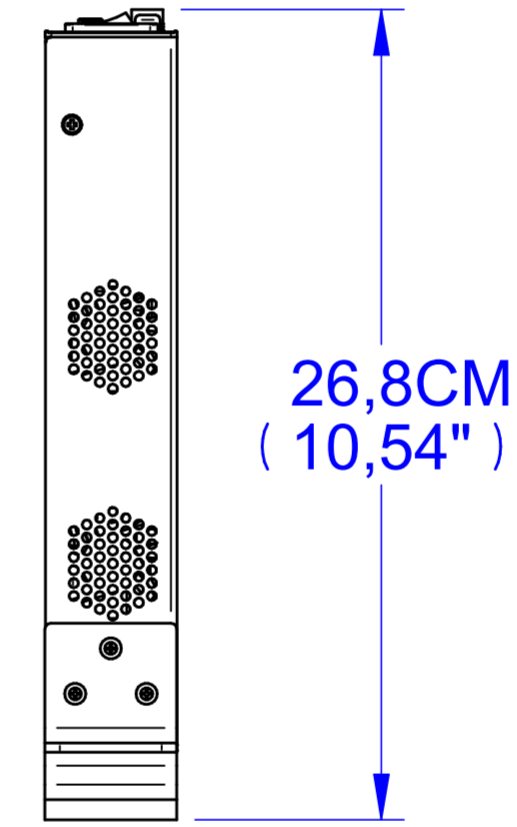
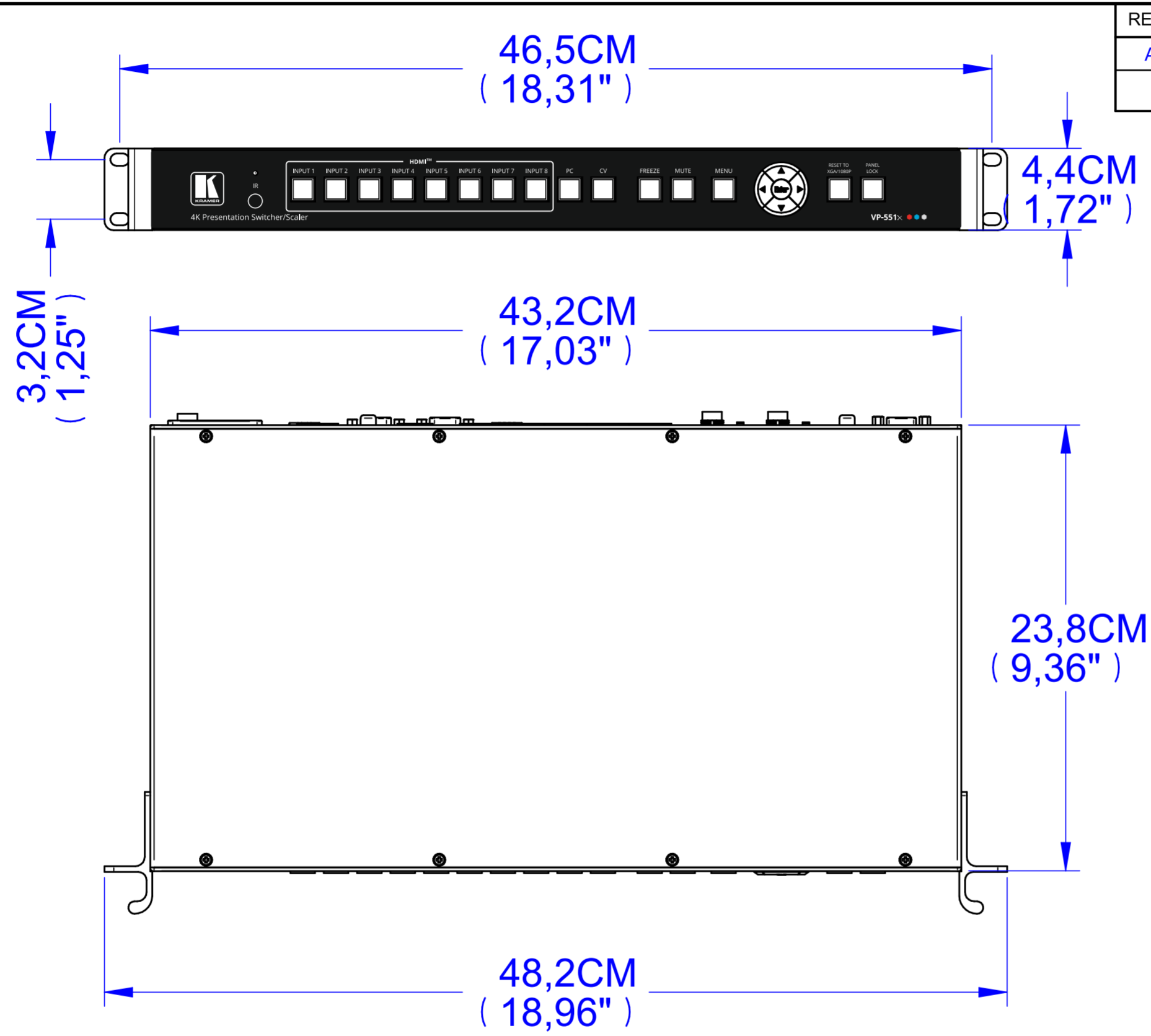

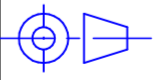


REV.	DESCRIPTION	ECO NO.	UPDATE BY	DATE	APPROVED
A	DRAWING RELEASE	0000	GLEB	25/01/18	RADU N.



	NAME	DATE	 <b>KRAMER ELECTRONICS LTD.</b> JERUSALEM, ISRAEL
DRAWN	gdanilenko	12/02/2019	
APPROVED	RADU N.	12/02/2019	
SHEET 1 OF 1	Project : VP-551X		SIZE <b>A3</b>
			<b>KRAMER DRW.:</b> OL000249
			REV. <b>A</b>