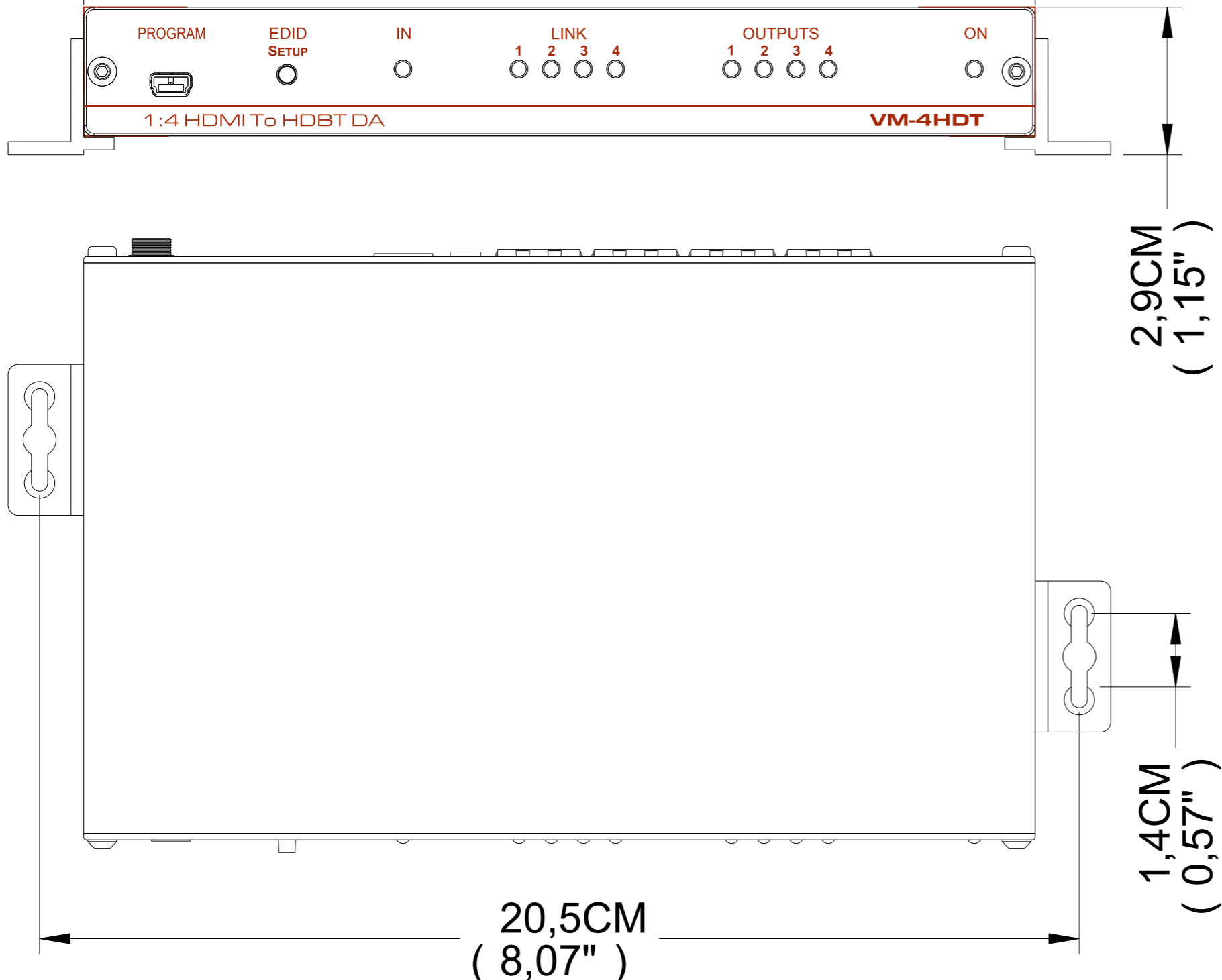
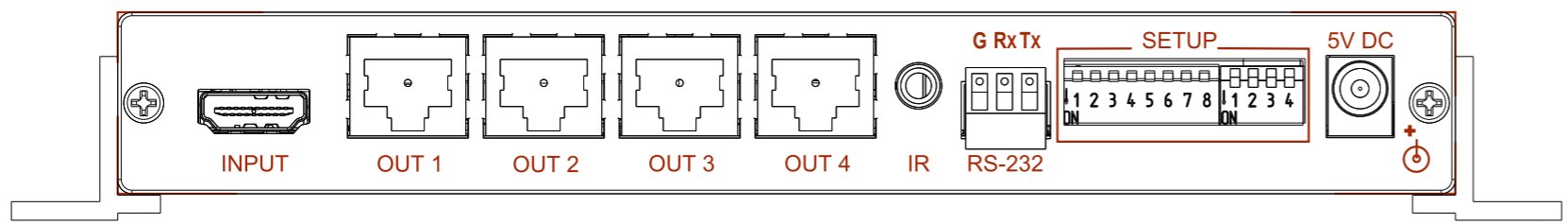


RoHS

18,8CM
(7,38")



20,5CM
(8,07")



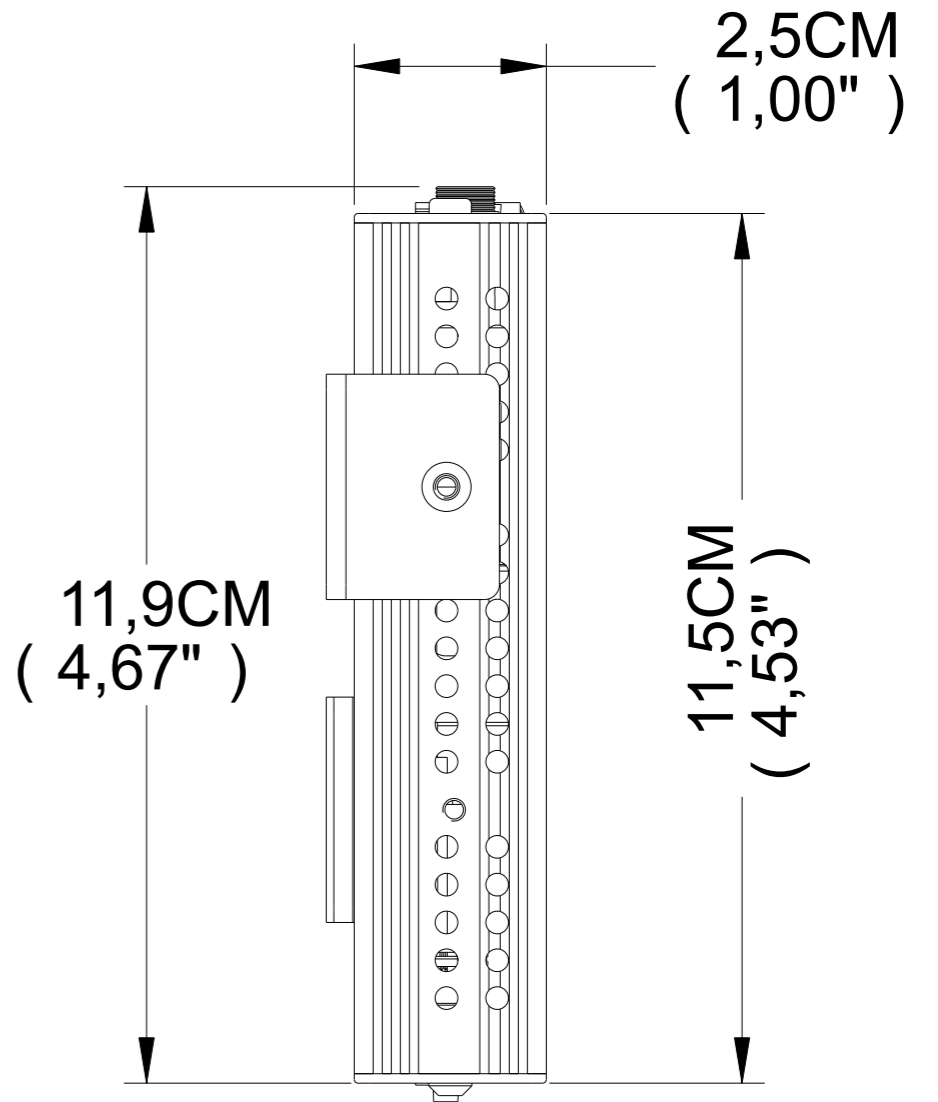
REVISION HISTORY


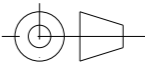
REV	DESCRIPTION	ECO NO.	DATE	APPROVED
A	DRAWING RELEASED	012687	08/06/17	RADU

2,5CM
(1,00")

11,9CM
(4,67")

11,5CM
(4,53")



	NAME	DATE	 KRAMER ELECTRONICS LTD. JERUSALEM, ISRAEL	
DRAWN	ARKADY	08/06/17		
APPROVED	RADU N.	08/06/17		
Project : VM-4HDT			KRAMER DRW.: OI000140	REV. A