



Scan for full manual

VIA GO2 Quick Start Guide For Installer



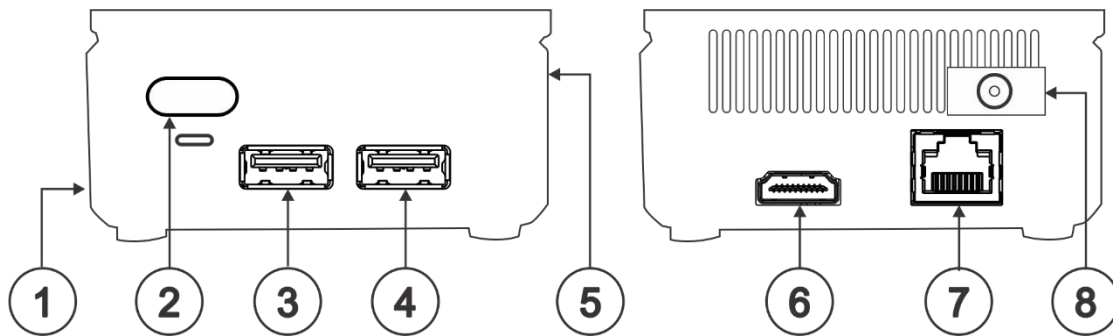
This guide helps you install and configure your **VIA GO2** for the first time.

Go to www.kramerav.com/downloads/VIA_GO2 to download the latest user manual and check if firmware upgrades are available.

Step 1: Check what's in the box

- ✓ VIA GO2 Collaboration Device
- ✓ 1 VESA mounting bracket
- ✓ 1 Quick start guide
- ✓ 1 Power supply (12V DC) with adapters for US, UK, and EU
- ✓ 1 VESA screw set

Step 2: Get to know your VIA GO2

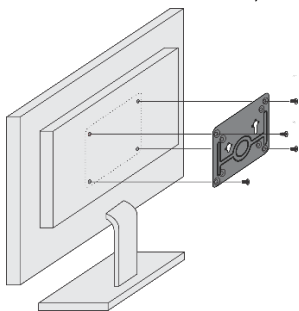


#	Feature	Function
1	Micro SD Card Slot	Not in use.
2	Power Button with LED	Press to power ON or turn OFF the device.
3	USB 3.0 Connector	Connect to a USB device, for example, a keyboard or mouse.
4	USB 2.0 Connector	Connect to a USB device, for example, a keyboard or mouse.
5	Lock Opening	Connect to a security locking cable.
6	HDMI™ Connector	Connect to an HDMI sink.
7	RJ-45 Connector	Connect to a LAN (default mode).
8	Power Connector	Connect to the 12V DC power supply.

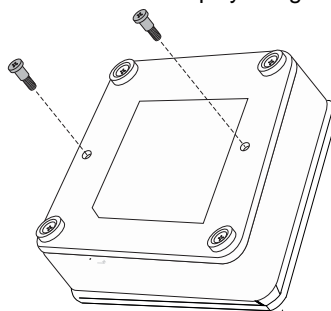
The terms HDMI, HDMI High-Definition Multimedia Interface, and the HDMI Logo are trademarks or registered trademarks of HDMI Licensing Administrator, Inc.

Step 3: Install VIA GO2

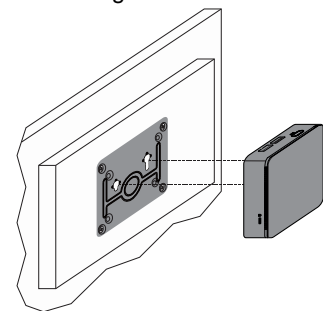
Place **VIA GO2** on a flat surface, or mount on a wall or the back of a display using the included VESA mounting bracket:



1. Attach the VESA mounting bracket to the back of the display with 4 screws.



2. Fasten two screws to the bottom of **VIA GO2**.



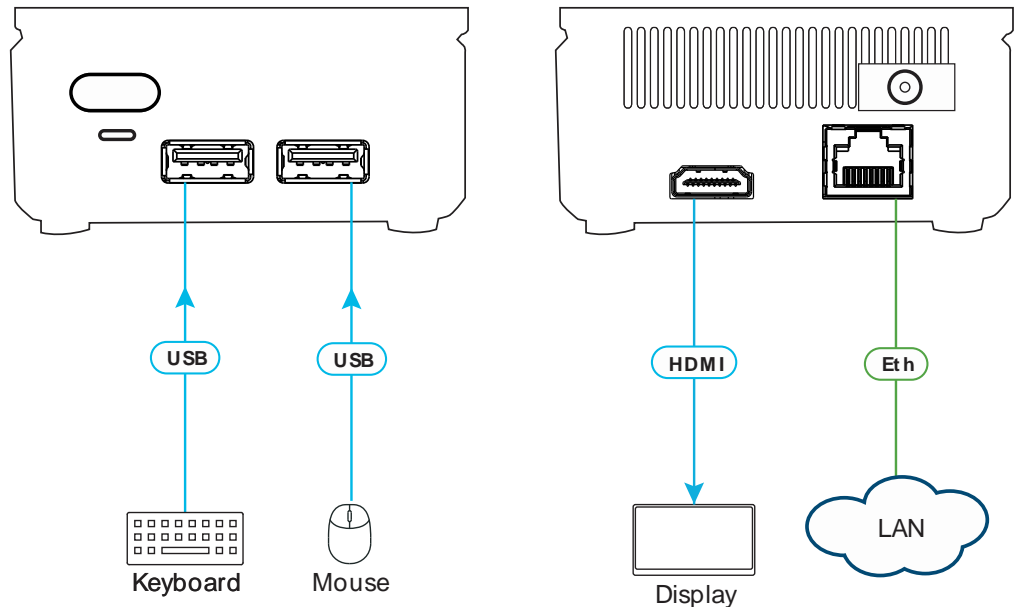
3. Insert the screws on the bottom of **VIA GO2** into the slots on the mounting bracket.



Step 4: Connect the inputs and outputs

Always switch OFF the power on each device before connecting it to your **VIA GO2**. For best results, we recommend that you always use Kramer high-performance cables to connect AV equipment to **VIA GO2**. Using third-party cables may cause damage!

1. Connect the keyboard and mouse.
2. Connect an HDMI display.
3. Connect to the LAN (default mode).



If you wish to use a Kramer active optical pluggable HDMI cable with your **VIA GO2**, contact your local Kramer office to assist in purchasing the correct cable.

Step 5: Connect the power

Connect the 12V DC power adapter to **VIA GO2** and plug it into the mains electricity.



- Caution:** There are no operator serviceable parts inside the unit.
- Warning:** Use only the Kramer Electronics power adapter that is provided with the unit.
- Warning:** Disconnect the power and unplug the unit from the wall before installing.
- See www.KramerAV.com for updated safety information.

Step 6: Configure VIA GO2

A wizard guides you through configuration. If you choose to skip the wizard, follow these steps for configuration:

General Settings Configuration

1. On the **Kramer VIA** dashboard, click **Features > Settings**. The settings login window appears.
2. Enter the User Name (default = su) and Password (default = supass) and click **Login**. The VIA Settings window appears.

The VIA Settings tabs are:

- LAN Settings – Configure network parameters (default = DHCP)
- System Controls – Manage your display and audio settings, set the time, select your language, etc.
- Wi-Fi – Activate and configure the built-in Wi-Fi capability.

3. When you have finished configuring settings, click **Reboot** to apply all settings.

The screenshot shows the VIA Settings login window. It has a dark background with the VIA logo in the top left. There are two input fields: 'User Name:' and 'Password:'. Below the fields are two buttons: 'Login' (in blue) and 'Cancel' (in grey). A small 'VIA' logo is also visible in the bottom left corner.

Change to AP Wi-Fi Mode

Set up the built-in Wi-Fi module as a secondary Access Point (for guests).

1. On the Wifi tab, click the switch next to **Switch On or Off Wifi**. The switch turns green and additional Wi-Fi settings appear.
2. Click **AP Mode**, and enter a new name in the SSID field and a new password or use the default name and password.
3. Select a Wi-Fi channel for the Access Point.
4. Select **Enable Internet** (if the primary LAN network is connected to the Internet) OR **Activate Standalone Wifi** (to create an autonomous network without Internet access) and click **Apply**.

Switch to Client Wi-Fi Mode

Attach your **VIA GO2** as a client device to your main network:

1. On the Wifi tab, click the switch next to **Switch On or Off Wifi**. The switch turns green and additional Wi-Fi settings appear.
2. Click **Client Mode**, select an available network from the drop-down.
3. Enter the required password and click **Apply**.
4. Disconnect the LAN cable (if connected) before rebooting the device.



Scan for full manual

VIA GO2 Quick Start Guide For User

This guide helps you participate in a meeting using **VIA GO2**.

Go to www.kramerav.com/downloads/VIA_GO2 to download the latest user manual.



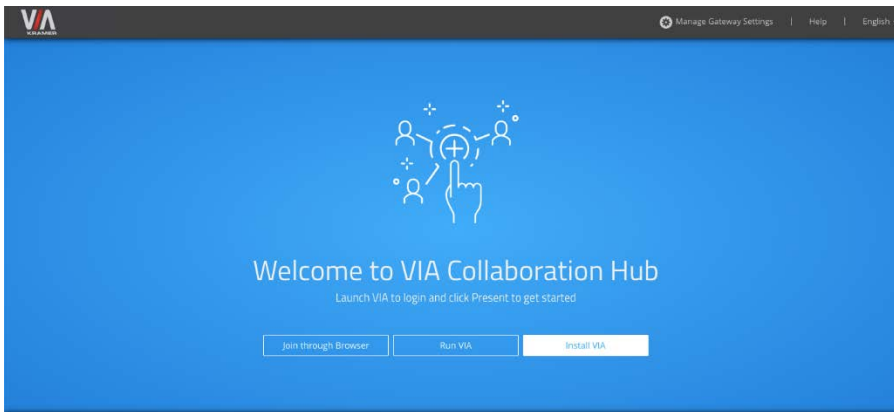
Step 1: Connect your personal device to the proper network

Connect your personal device to the same Wi-Fi network to which the **VIA GO2** in your meeting room is connected.

Step 2: Run or Download the Kramer VIA app

For Mac or PC:

1. Enter the Room Name of the **VIA GO2** device into your computer's browser. The Welcome page of **VIA GO2** appears.



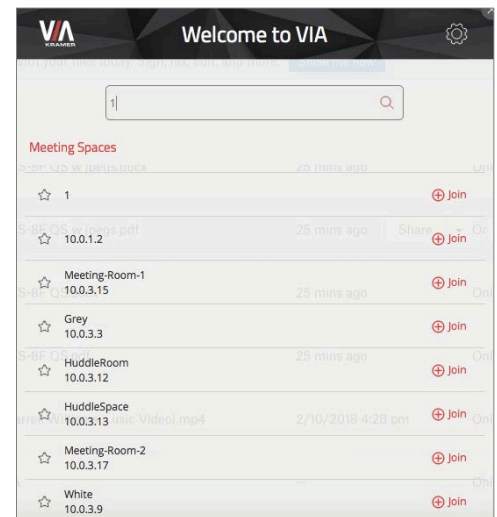
2. Click **Run VIA** to execute the **Kramer VIA** app without downloading it. (Intended for guests who are using VIA only temporarily.)
OR
Click **Install VIA** to download the **Kramer VIA** app onto your computer. (Intended for regular users of the VIA.)

For iOS or Android devices:

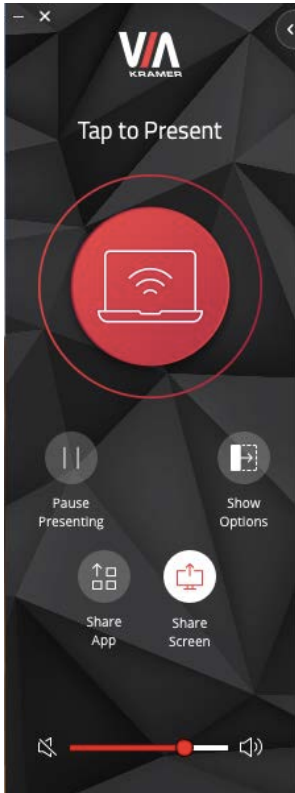
- Download and install the free **Kramer VIA** app from Apple App Store or Google Play or scan the QR code above.

Step 3: Join the meeting using Kramer VIA App

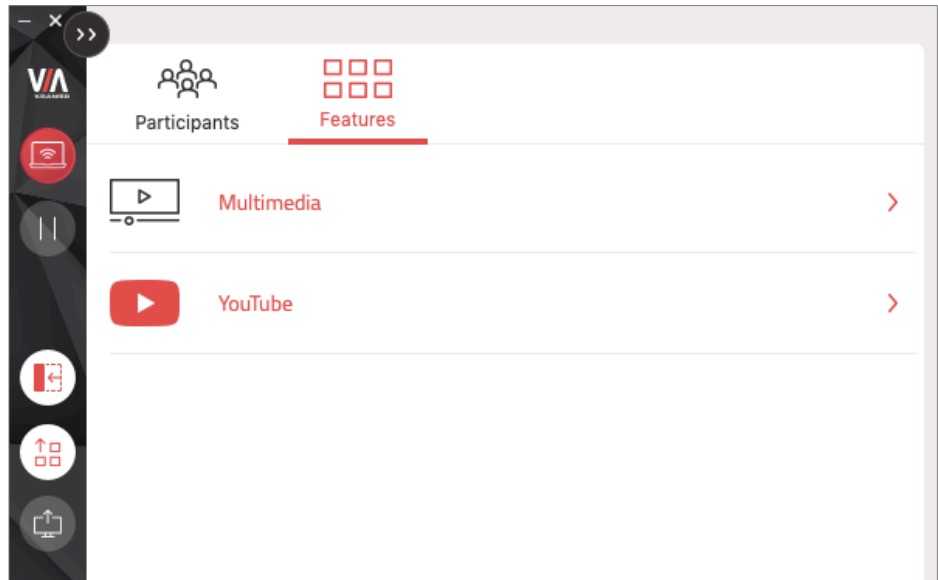
1. Open the Kramer VIA app and, on the Welcome to VIA window, click **Join** next to the name of the VIA device to which you want to connect. The Login window appears.
2. In the Nickname field, enter a name for your device. This name appears on the main display when you present content.
3. In the Room Code field, enter the 4-digit code as it appears on the main display (if enabled).
4. Click **Join**.
You are logged into the VIA meeting.
The VIA Dashboard (and taskbar icon for laptops) appears on your device screen.



Step 4: Using the VIA dashboard menu



- Tap the red button to present your screen to the meeting participants on the main display.
- Tap **Show Options > Features** to access **VIA GO2** features.
- Tap **Show Options > Participants** to see who else is connected.



Step 5: VIA GO2 Features

For a complete, updated list of available features go to: www.true-collaboration.com/products.html#.



Wireless Connection



Powerful Content Security



Video Streaming



Mobile Mirroring



VIA Site Management (VSM)



Digital Signage



Calendar Integration



VIA Pad Compatible



Integrated YouTube Player



Do Not Disturb (DND)