

Chroma-Q®

Inspire XT

CHINHLRGBWXT
CHINHLRGBWXTW
(Model 632-8200/8205)

User Manual



Chroma-Q®
BRILLIANT SOLUTIONS

Version 1.01 May 2017, Software Version 1.01

Manual: 632-0717

www.chroma-q.com



Warranty Statement

Chroma-Q warrants to the original purchaser, with proof of purchase, that its delivered products shall be free from defects in material and workmanship under normal use for a period of 24 months from date of shipment.

Chroma-Q will repair, or at its option, provide an equivalent item or replace, the defective product during the stated warranty period. This warranty applies only to the repair or replacement of the product and only when the product is properly handled, installed and maintained according to Chroma-Q instructions. This warranty excludes defects resulting from improper handling, storage, installation, acts of God, fire, vandalism or civil disturbances. Purchaser must notify Chroma-Q in writing within 14 days of noticing the defect. This warranty excludes field labour or service charges related to the repair or replacement of the product.

The warranty contained herein shall not extend to any finished goods or spare parts from which any serial number has been removed or which have been damaged or rendered defective (a) as a result of normal wear and tear, wilful or accidental damage, negligence, misuse or abuse; (b) due to water or moisture, lightning, windstorm, abnormal voltage, harmonic distortion, dust, dirt, corrosion or other external causes; (c) by operation outside the specifications contained in the user documentation; (d) by the use of spare parts not manufactured or sold by Chroma-Q or by the connection or integration of other equipment or software not approved by Chroma-Q unless the Customer provides acceptable proof to Chroma-Q that the defect or damage was not caused by the above; (e) by modification, repair or service by anyone other than Chroma-Q, who has not applied for and been approved by Chroma-Q to do such modification, repair or service unless the Customer provides acceptable proof to Chroma-Q that the defect or damage was not caused by the above; (f) due to procedures, deviating from procedures specified by Chroma-Q or (g) due to failure to store, install, test, commission, maintain, operate or use finished goods and spare parts in a safe and reasonable manner and in accordance with Chroma-Q's instructions (h) by repair or replacement of engines without factory training.

The warranty contained herein shall not apply to finished goods or spare parts which are sold "as is", as "second-hand", as used", as "demo" or under similar qualifications or to Consumables ("Consumables" is defined as any part(s) of goods or part(s) for use with goods, which part(s) of goods or part(s) for use with goods are consumed during the operation of the goods and which part(s) of goods or part(s) for use with goods require replacement from time to time by a user such as, but not limited to, light bulbs).

The warranty contained herein shall not apply, unless the total purchase price for the defective finished goods or spare parts has been paid by the due date for payment.

The warranty contained herein applies only to the original purchaser and are not assignable or transferable to any subsequent purchaser or end-user.

This warranty is subject to the shipment of the goods, within the warranty period, to the Chroma-Q warranty returns department, by the purchaser, at the purchaser's expense. If no fault is found, Chroma-Q will charge the purchaser for the subsequent return of the goods.

Chroma-Q reserves the right to change the warranty period without prior notice and without incurring obligation and expressly disclaims all warranties not stated in this limited warranty.

Disclaimer

The information contained herein is offered in good faith and is believed to be accurate. However, because conditions and methods of use of our products are beyond our control, this information should not be used in substitution for customer's tests to ensure that Chroma-Q products are safe, effective, and fully satisfactory for the intended end use. Suggestions of use shall not be taken as inducements to infringe any patent. Chroma-Q sole warranty is that the product will meet the sales specifications in effect at the time of shipment. Your exclusive remedy for breach of such warranty is limited to refund of purchase price or replacement of any product shown to be other than as warranted.

Chroma-Q reserves the right to change or make alteration to devices and their functionality without notice due to our on going research and development.

The Chroma-Q Inspire range has been designed specifically for the lighting industry. Regular maintenance should be performed to ensure that the products perform well in the entertainment environment.

If you experience any difficulties with any Chroma-Q products please contact your selling dealer. If your selling dealer is unable to help please contact support@chroma-q.com. If the selling dealer is unable to satisfy your servicing needs, please contact the following, for full factory service:

Outside North America:

Tel: +44 (0)1494 446000

Fax: +44 (0)1494 461024

support@chroma-q.com

North America:

Tel: 416-255-9494

Fax: 416-255-3514

support@chroma-q.com

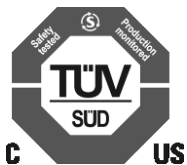
For further information please visit the Chroma-Q website at www.chroma-q.com.

Chroma-Q and Inspire are trademarks, for more information on this visit www.chroma-q.com/trademarks.

The rights and ownership of all trademarks are recognised.

Important Notice:

As per the requirements in the Occupational Safety and Health Administration standards for product approval, please refer to the OSHA web pages <http://www.osha.gov/dts/otpca/nrtl/> for information on the list of Nationally Recognized Testing Laboratories (NRTLs) and the scope of recognition.



Safety information



WARNING!

Read the safety precautions in this section before installing, powering, operating or servicing this product.

The following symbols are used to identify important safety information on the product and in this document:



**Warning!
Safety Hazard.
Risk of severe
injury or death.**



**Warning!
Fire Hazard.**



**Warning!
Hazardous
Voltage.
Risk of
severe lethal
electric
shock.**



**Warning!
Refer to User
manual.**

Warning!

- Read the user manual before installing and operating the Chroma-Q Inspire XT. For future reference, keep and use the manual.
- Safety precautions given in user manual must be followed at all times and the manuals of all the devices you connect it to. Observe all the warnings printed on devices and in manuals. Make sure whoever is involved in working on or using the Chroma-Q Inspire XT has carefully read and understood all the safety precautions and lasted warnings.
- Install, connect, operate and service devices only as described in this manual and in connected devices' manuals and only in accordance with local laws and regulations. All Chroma-Q manuals are supplied with devices and are also available for download from www.chroma-q.com.
- Chroma-Q Inspire XT does not have user-serviceable parts. Refer any operation not described in this manual to support@chroma-q.com.

If you experience difficulties with any Chroma-Q products please contact your local dealer. If your local dealer is unable to help then please contact support@chroma-q.com.

If you are having trouble finding what you are looking for on our website, then contact our Chroma-Q marketing department by sending an email to marketing@chroma-q.com.

PROTECTION FROM ELECTRIC SHOCK

- Use only the cables specified in this manual and on the Chroma-q website at www.chroma-q.com to interconnect devices in the installation. If the specified cables are not long enough for an intended cable run, consult Chroma-Q for assistance in finding or creating a safe alternative solution.
- Provide a means of locking out AC mains power that allows power to the installation to be shut down and made impossible to reapply, even accidentally, during work on the installation.
- Shut down power to the installation during service and when it is not in use.
- Before applying power to the installation, check that all power distribution equipment and cables are in perfect condition and rated for the current requirements of all connected devices.
- Isolate the installation from power immediately if any product, power cable or power plug is in any way damaged, defective or wet, or if it shows signs of overheating.
- Do not immerse a Chroma-Q Inspire XT fixture in water or expose it to high-pressure water jets.

PROTECTION FROM BURNS AND FIRE

- The Chroma-Q Inspire XT is cooled by convection. Provide free airflow and a minimum clearance of 10 mm (0.4in.) around fixtures.
- Do not operate the Chroma-Q Inspire XT if the ambient temperature (Ta) exceeds 55° C (131° F).
- Do not modify the Chroma-Q Inspire XT in any way not described in this manual or install other than genuine Chroma-Q parts. Use only accessories approved by Chroma-Q.

PROTECTION FROM INJURY

- Ensure that the installation hardware and supporting surface or structure can hold at least 10 times the weight of all the devices they support.
- Block access below the work area and work from a stable platform whenever installing, servicing or moving the Color Force™ II.
- As soon as work is completed, check that all hardware and components are securely fastened to supporting structures.
- Make sure there are no flammable materials close to the product during operation.
- Make sure the power cord is not crimped or damaged.
- Avoid direct eye exposure to the light source while the product is on.
- Never try to repair the product. Repairs carried out by unskilled people can lead to damage or malfunction. Please contact the nearest authorized dealer or contact support@chroma-q.com.



Keep this User Manual for future consultation. If this product is used by another user, be sure that they also receive this document.

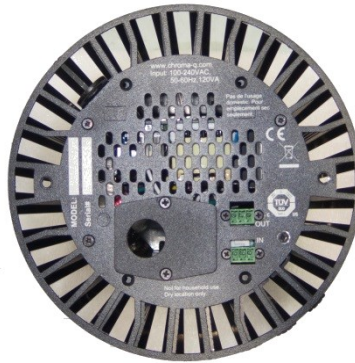
Table of Contents

1. Product overview	7
1.1 Inspire External Control Box.....	7
2. Operation	8
2.1 Unpacking the Units.....	8
2.2 Cabling.....	8
2.3 Mounting	14
2.4 Optics.....	14
2.5 Control	14
2.6 Thermal Performance.....	14
2.7 Updating the LED engine software.....	15
3. Troubleshooting	16
4. Specification.....	17
4.1 Technical Specifications.....	17
4.2 Drawings – Dimensions.....	18
5. Maintenance.....	18
6. Warranty	18

1. Product overview

The new Chroma-Q™ Inspire™ XT LED house light is a powerful multi-purpose creative lighting tool that utilises some of the innovative core technologies found in other popular Chroma-Q fixtures. The Inspire XT provides a choice of beautiful whites, soft pastels and bold saturates - all from one fixture. By incorporating industry standard DMX-512 control to the External Control Box, the Inspire is able to integrate seamlessly with an existing DMX infrastructure and can be controlled by any DMX supported lighting console. With fully homogenised colour mixing and a choice of different lensing options, the Inspire range provides an excellent selection of stunning mixed colours and 'true' whites, with no unsightly colour separation shadows. It also features an energy-efficient compact LED design providing reduced maintenance and running costs.

Each fixture is equipped with a built-in power supply which can be controlled remotely from the Inspire External Control Box through the ANSI E1.11 USITT DMX 512-A protocol.



Note: HANDHELD COLOR METERS

Handheld Color Meters provide a limited measuring range for LED fixtures, which results in inconsistent and unreliable data.

All photometric values listed in this document are based on testing and measurements conducted by certified independent laboratories with reference to the IES standards.

1.1 Inspire External Control Box

The Inspire External Control Box is a 19" rack mounted device for remote addressing, configuration & control of the Inspire™ fixtures. An External Control Box is required for operation of an Inspire™ XT system.

DMX data input and through connections from an external DMX control console are via XLR 5-pin. Three data output ports are available for the control of up to 32 daisy-chained fixtures from each port.

The Inspire External Control Box is built with Plug-in Terminal Block connectors for AC power input, Emergency power input, control data output signals and XLR DMX in and thru connections.



2. Operation

2.1 Unpacking the Units

The Inspire™ XT package includes:

- 1 fixture unit
- Safety chain
- Quick Start Guide
- 2 plug-in terminal blocks for DMX control data in/through
- 1 plug-in terminal block for AC power input

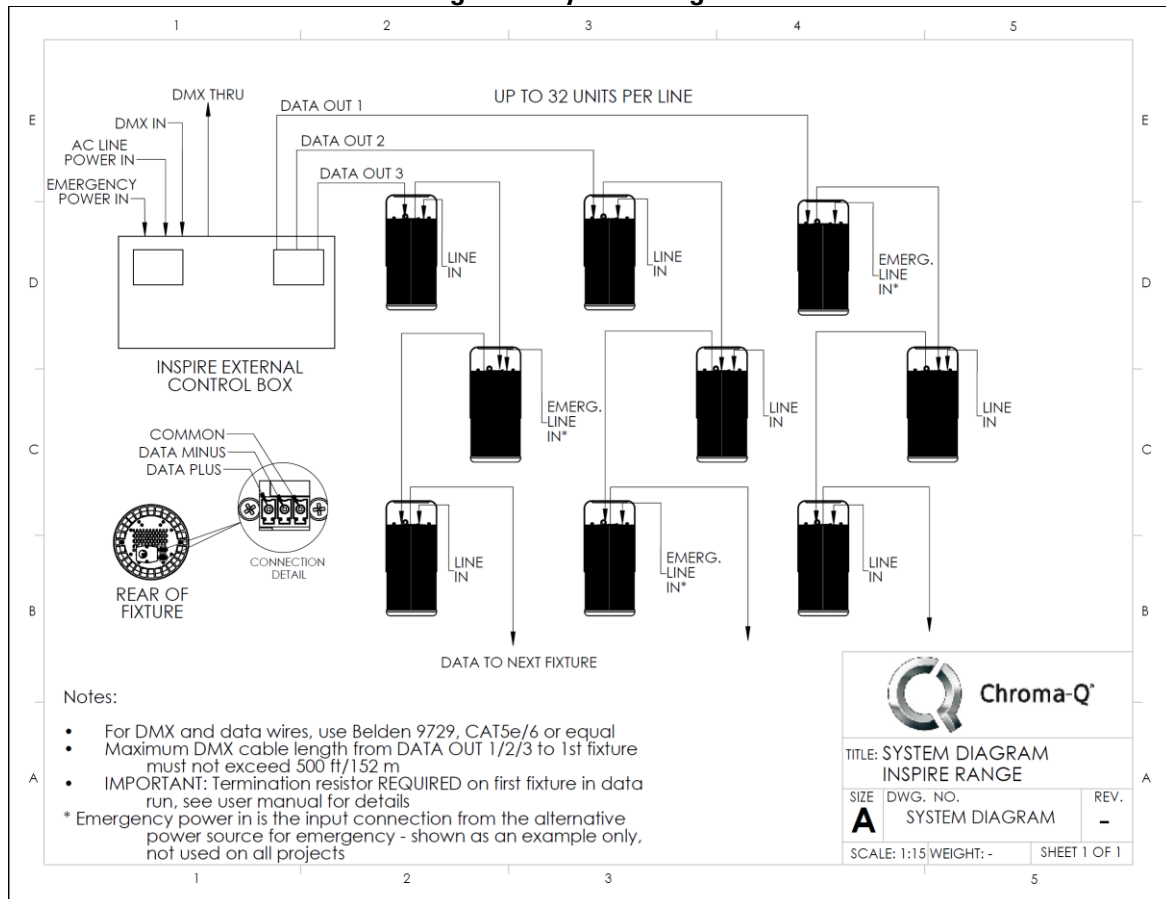
We recommend that you keep the original packaging in case the item needs to be returned.

2.2 Cabling

System:

The Inspire External Control Box has 3 control data outputs (Port 1, 2, 3). Each control data output provides remote control for up to 32 daisy-chained Inspire™ fixtures. The maximum length of the DMX cable from each data output of the External Control Box to the first Inspire™ fixture must not exceed 500 ft (152 m).

Figure 1: System Diagram



Inspire™ XT fixture wiring:

To connect the wiring of the AC power input cable:

1. Remove the Power Input Cover Plate (Figure 2)
2. Insert the power cable with the appropriate cable strain relief through the cover plate
3. Unplug the Terminal Block Plug from the Header and connect the wiring for the AC power input through the hole and into the Terminal Block PLUG (Figure 3)
4. Plug the wired Terminal Block Plug into the Terminal Block Header (Figure 3)
5. Put back and fasten the cover plate

To connect the wiring of the control data cables:

1. Connect the wiring for the data cables (In/Out) into the Terminal Block Plugs (Figure 4)
2. The control cable connected to the **first** Inspire™ XT fixture from each Data Output of the External Control Box **MUST** be terminated with a 120 ohm resistor. For details, see Inspire™ XT data cable Termination section on the next section.
3. Plug the wired Terminal Block Plugs into the Terminal Block Headers (Figure 4)

Note: The control cable connected to the **first** fixture from each data output **MUST** be terminated with a 120 Ω resistor. *Terminal blocks with resistors installed are included in the External Control Box.* See Inspire™ XT Data Cable Termination on the next section.

Figure 2

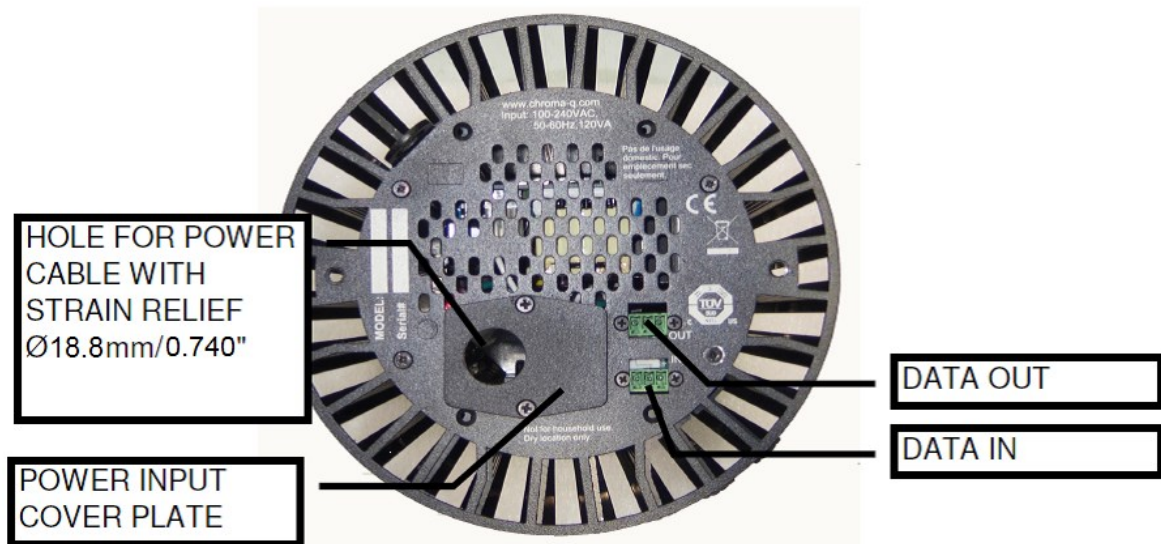


Figure 3: AC Power Cable Wiring

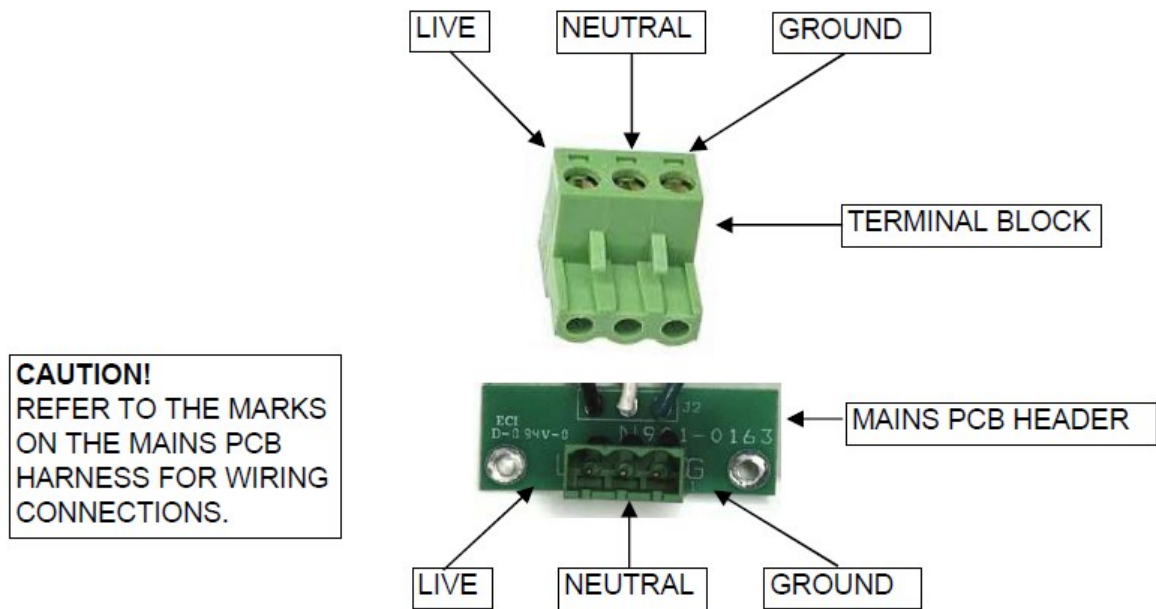
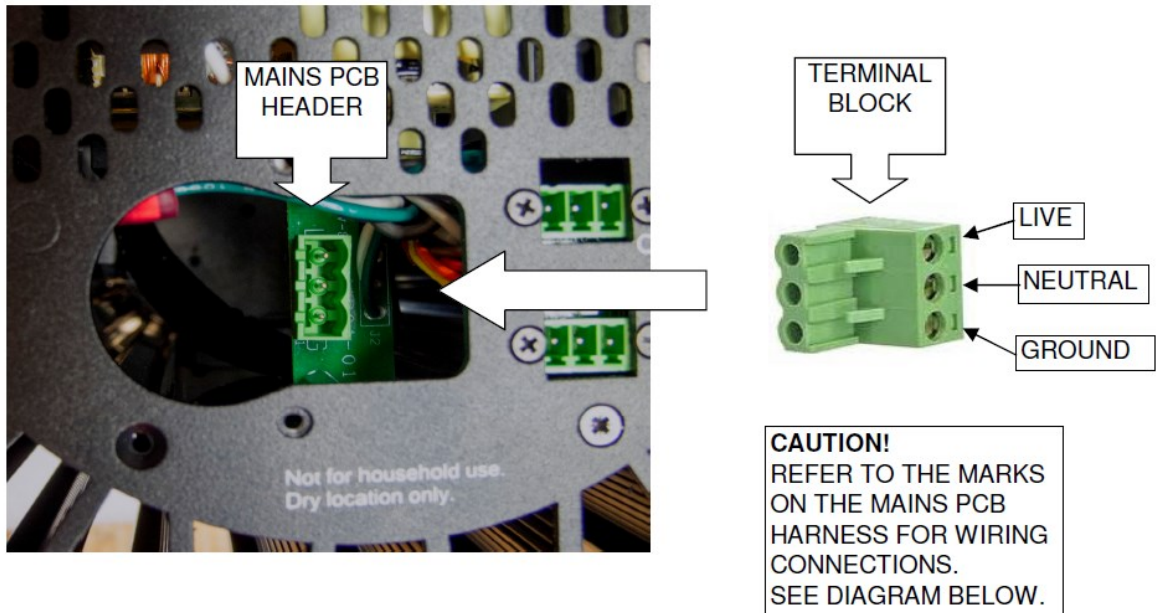
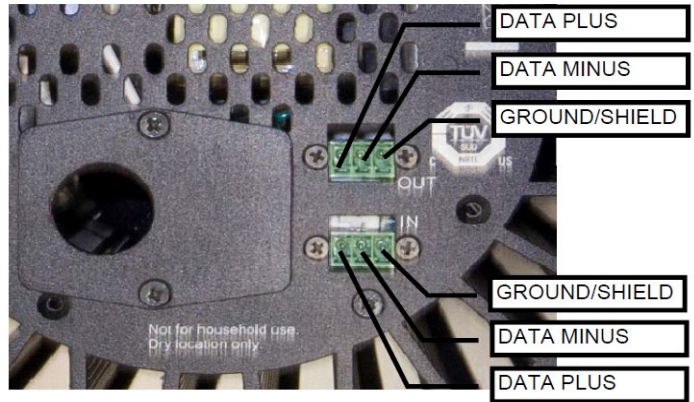


Figure 4: Data Cable Wiring



IMPORTANT! Inspire™ XT Data Cable Termination:

The data cable connection from each Data Output of the External Control Box to the **first** Inspire™ XT fixture **MUST** be terminated with a 120 ohm resistor. Insert a 120 ohm resistor into the Terminal Block Plug (Data Plus and Data Minus) and then plug into the data IN header of the **first** Inspire™ XT fixture. (Figure 5 & 6)

Terminal blocks with resistors installed are included in the External Control Box.

Note: In order to eliminate line noise, be sure to terminate the data common wire.

Figure 5

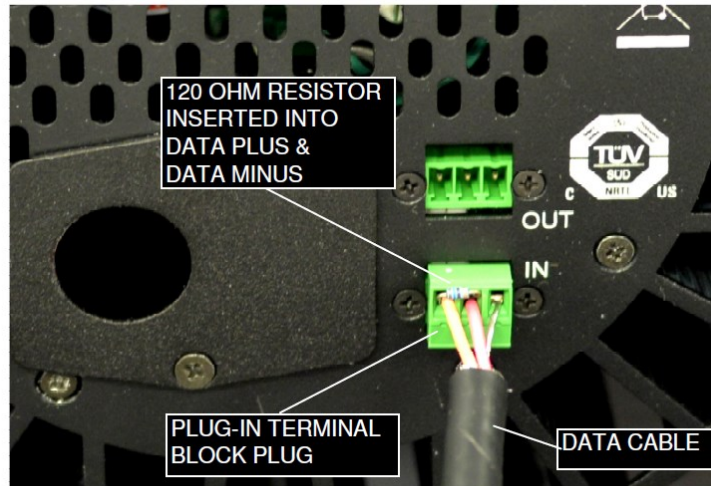
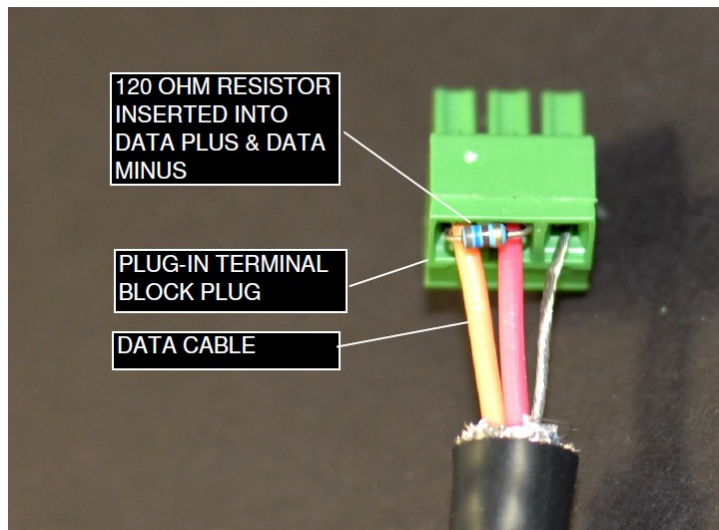


Figure 6



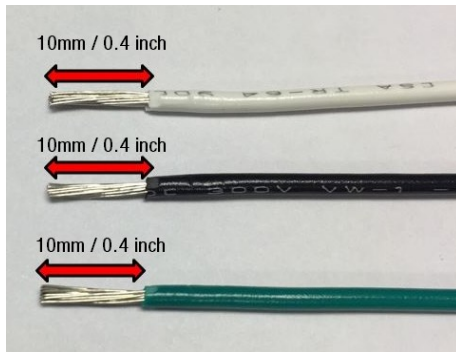
XLR 5-pin Cable:

Pin#	Function
1	Common (Screen)
2	Data Minus
3	Data Plus
4	Spare Data Minus
5	Spare Data Plus

Note: Refer to ESTA (Entertainment Services and Technology Association) technical standards program (TSP) documents (ANSI E1.27-2 -2009 (R2014)) for more detail about recommended practice for permanently installed control cables for use with ANSI E1.11 (DMX512-A) and USITT DMX512-1990 products or Click on the link below.
http://tsp.esta.org/tsp/documents/published_docs.php

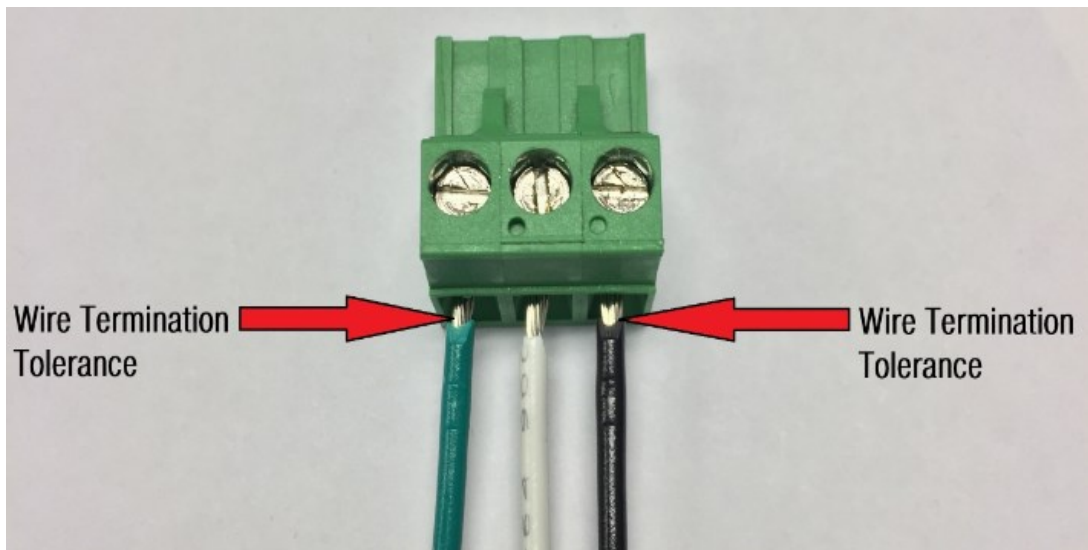
Power Cable Color Code:

EU	North America	Connections	
Green and Yellow	Green	Earth (E)	Ground (Green)
Blue	White	Neutral (N)	Neutral (Silver)
Brown	Black	Live (L)	Hot (Gold)



Stripping Wire: Remove a minimum of 10mm / 0.4 inch insulation off the 14 gauge wire before inserting into the phoenix connector.

To avoid short connections keep some gap between the wire terminations to the connector. Once inserted, tighten the screws, then gently pull and make sure the connections is tight.



2.3 Mounting

The Inspire™ XT fixture is built with a mounting bracket for overhead hanging applications. The mounting bracket has a 1/2" hole suitable for M10 & M12 bolts.

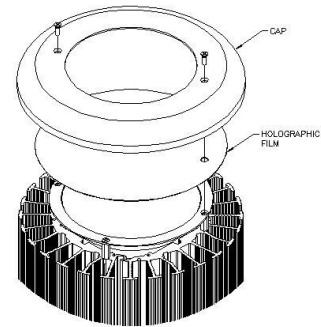
Secure the fixture with a safety cable. A provision for a fixing hold is built into the fixture.

Other mounting options, such as a yoke, or recessing mounting kits are available. Consult your local representative or the Chroma-Q website for more details.

2.4 Optics

The Inspire fixture is built with a permanent 32° lens. Where wider beam spreads are required, use the Spread Lens Kit provided. The diffusion film is installed between the permanent lens and the bezel. Consult the QSG in the lens kit for more detailed lens installation instructions. The beam angles are:

No lens	~ 32°
Medium lens	~ 42°
Wide lens	~ 65°



2.5 Control

The Inspire™ XT fixture is controlled remotely through the Inspire External Control Box which accepts DMX protocol. For control menu details see the User Manuals for the Inspire External Control and Inspire External Control UL924 units.

2.6 Thermal Performance

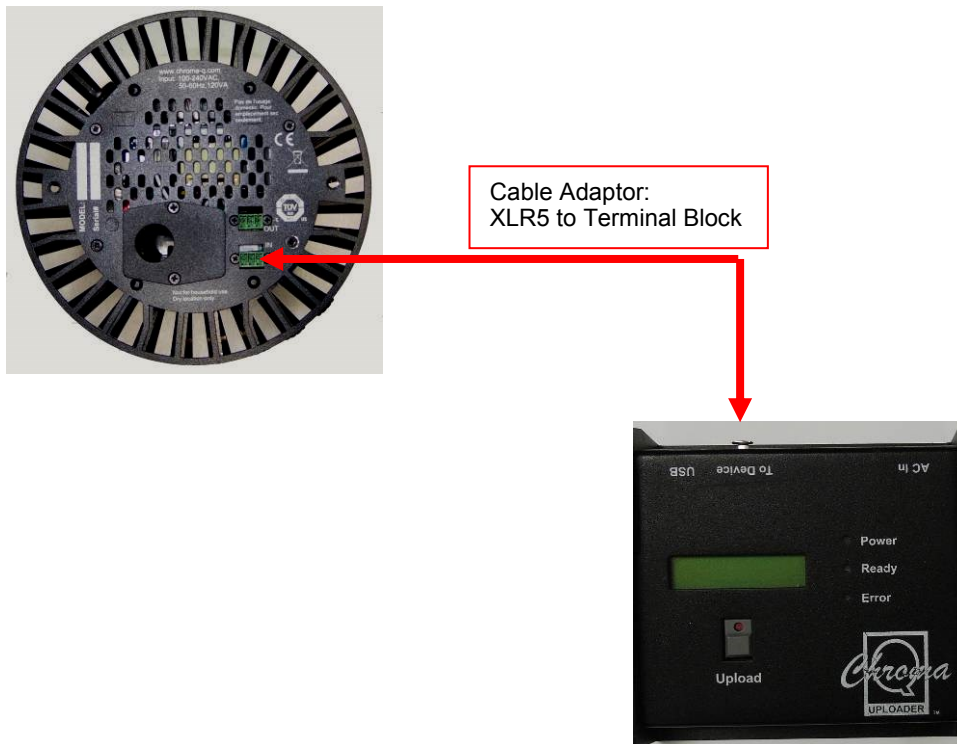
The internal cooling system of the Inspire™ XT is by convection and the fixture is built with automatic protection. The fixture's automatic protection reduces the output when the internal temperature reaches the maximum limit due to extreme ambient conditions.

2.7 Updating the LED engine software

The software for the LED engine module of the Terminal Strip can be uploaded directly into the fixture through the Uploader using an *XLR5-to-Terminal Block* cable adaptor. The upload process can be performed to one fixture at a time only. (See diagram below)

1. Download and extract the current software revision from <http://www.chroma-q.com/support/downloads.asp> under the "Software" column.
2. Connect the Chroma-Q Uploader to your PC.
3. Erase the previous file and copy the current hex file into the Uploader.
4. Connect the Uploader to the fixture with a XLR 5-pin to Terminal Block cable adaptor.
5. Power-up the fixture.
6. The Uploader display shows the software name and version, and "Ready".
7. Press the GO button once to execute the uploading.
8. The Red indicator light on the GO button blinks and the Uploader display shows a simulated arrow indicating the uploading process.
9. All the green LEDs of the fixture will light up (low intensity) to indicate completion of a successful Upload.
10. The Uploader display shows "DONE" upon completion of the upload.
11. Power-cycle the fixture.
12. Repeat step 6 to step 10 if the uploading process is interrupted (power and/or data).

(For more detail, see the Quick Start Guide of the Chroma-Q Uploader)



3. Troubleshooting

Troubleshooting is a process of elimination. First, rule out the other field factors (i.e. bad connections, faulty cables and power supplies). For technical support and/or parts, please contact your selling dealer or the offices listed in this manual.

Symptom	Possible Cause	Solution
Fixture does not respond to DMX control.	<ul style="list-style-type: none"> • The External Control Box is set to the wrong or different DMX address. • Bad cable connecting DMX control and External Control Box. • Bad data cable connecting control box and fixture. • Bad in/through connection between daisy-chained fixtures. • Bad in/through connection between daisy-chained External Control Boxes. 	<ul style="list-style-type: none"> • Check DMX address and Mode settings. • Check/replace DMX run from the console to the External Control Box. • Check/replace data runs from the External Control Box to the fixtures. • Check/replace data runs between daisy-chained fixtures. • Check/replace DMX runs between daisy-chained External Control Boxes.
Low LED output.	<ul style="list-style-type: none"> • Internal temperature of the fixture is over the limit. 	<ul style="list-style-type: none"> • Check area ventilation.
Flicker	<ul style="list-style-type: none"> • No termination resistor 	<ul style="list-style-type: none"> • Check the first fixture in each run if it has the 120 Ω terminating resistor.

4. Specification

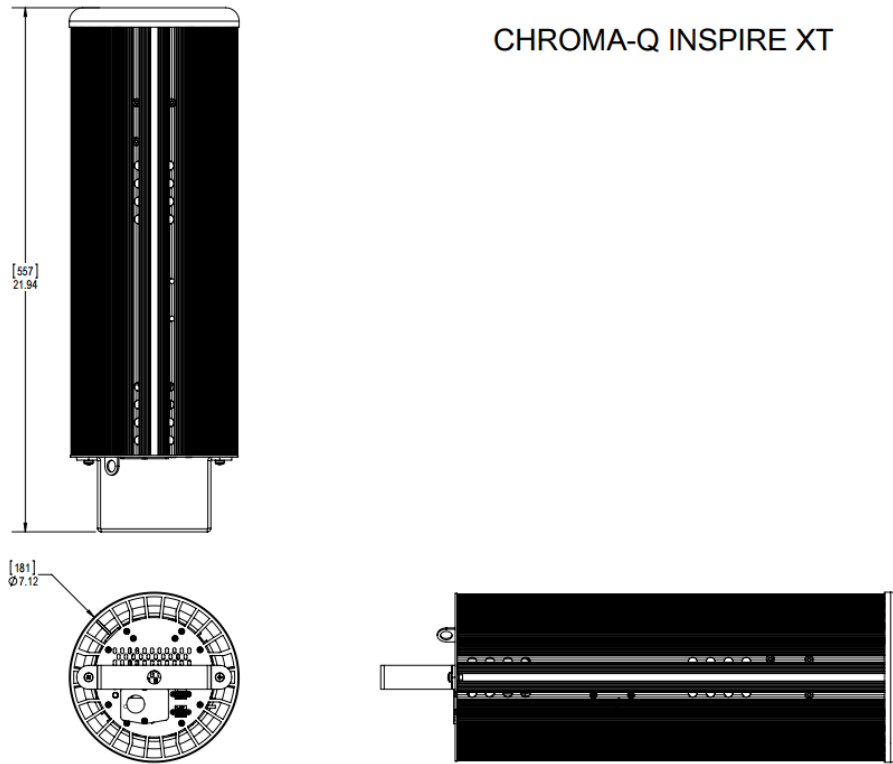
4.1 Technical Specifications

Net Dimensions** (Without Fixings – W x H x D)	181mm x 557mm x 181mm / 7.12" x 21.94" x 7.12"		
Net Weight (Without Fixings)	7.53 kgs / 16.60 lbs		
Shipping Dimensions (W x H x D)	305mm x 661mm x 305mm / 12" x 26" x 12"		
Shipping Weight	9.53 kgs / 21 lbs		
Power & Connections			
Power Supply	Built-in		
Power Input Rating	100-240V AC 50-60Hz 120VA		
Power Factor	0.99		
Power Consumption	135W		
Typical Power & Current	Measurements done with all LEDs at maximum intensity. Measurements made at nominal voltage. Allow for a deviation of +/- 10%.		
Power connector Input	Terminal Block : plug-in screw connector (Input only)		
Data Connectors In/Out	Terminal Block : plug-in screw connector		
Control Protocol	ANSI E1.11 USITT DMX 512-A		
Cooling System	Convection		
Operating Temperature	0°C to 40°C		
Construction	Anodized aluminum extrusion		
Color	Black / White		
Built-In Hardware	Mounting bracket (12.7mm / 1/2" diameter hole)		
IP Rating	IP20		
Approvals	CISPR 22/EN55022 & CISPR 24/EN55024, ICES-003 Issue 4:2004 / FCC Part 15 Subpart B:2010, CSA C22.2 No. 166-M1983: R2008, UL 1573:2003 (R2010), IEC 60598-2-17		
Control & Photometric			
Control Modes – <i>selected from External Control Box</i>	RGBW Single (up to 4 ch x # fixtures in system), RGBW Output (4 ch per output – 4, 8 or 12 ch), Tungsten (1 ch per data output), 0-10V, Look Recall, Alarm, Emergency		
Dimming Curve	Theatrical		
Hot Lumen Output (Combined)	9,500 (N)	7,500 (M)	8,400 (W)
Optics	Fully Homogenized		
Beam Angle	No extra lens installed 32° (approx.)	Medium lens installed 42° (approx.)	Wide lens installed 65° (approx.)
Beam Distribution	Symmetrical direct illumination		
CCT	Adjustable 1,000 – 10,000K		
Colour Gamut	Performance enhanced		
CRI	90		
Lamp Life	L70 at 50,000 hours		

**For exact measurements please refer to the line drawings below



4.2 Drawings – Dimensions



DISCLAIMER: Dimensions and illustrative drawings contained herein are accurate to the company's knowledge at the time of printing, however specifications are subject to change without notice

5. Maintenance

With care, the Inspire™ XT fixture and external control box requires little maintenance. However, as the unit is likely to be used in a stage environment we recommend periodic internal inspection and cleaning of any resulting dust and cracked oil residue.

Do not spray liquids on the front or rear panel. If the front enclosure requires cleaning, wipe with a mild detergent on a damp cloth.

6. Warranty

All the new Chroma-Q Inspire™ XT fixture come with 2 year limited warranty. The limited warranty covers any defects in material or workmanship under recommended use during the warranty period.

One year extended warranty is available at additional charge. For further information contact support@chroma-q.com.

If you experience any difficulties with any Chroma-Q products please contact your selling dealer. If your selling dealer is unable to help please contact support@chroma-q.com. If the selling dealer is unable to satisfy your servicing needs, please contact the following, for full factory service:

Outside North America:

Tel: +44 (0)1494 446000

Fax: +44 (0)1494 461024

support@chroma-q.com

North America:

Tel: 416-255-9494

Fax: 416-255-3514

support@chroma-q.com

For further information please visit the Chroma-Q website at www.chroma-q.com.