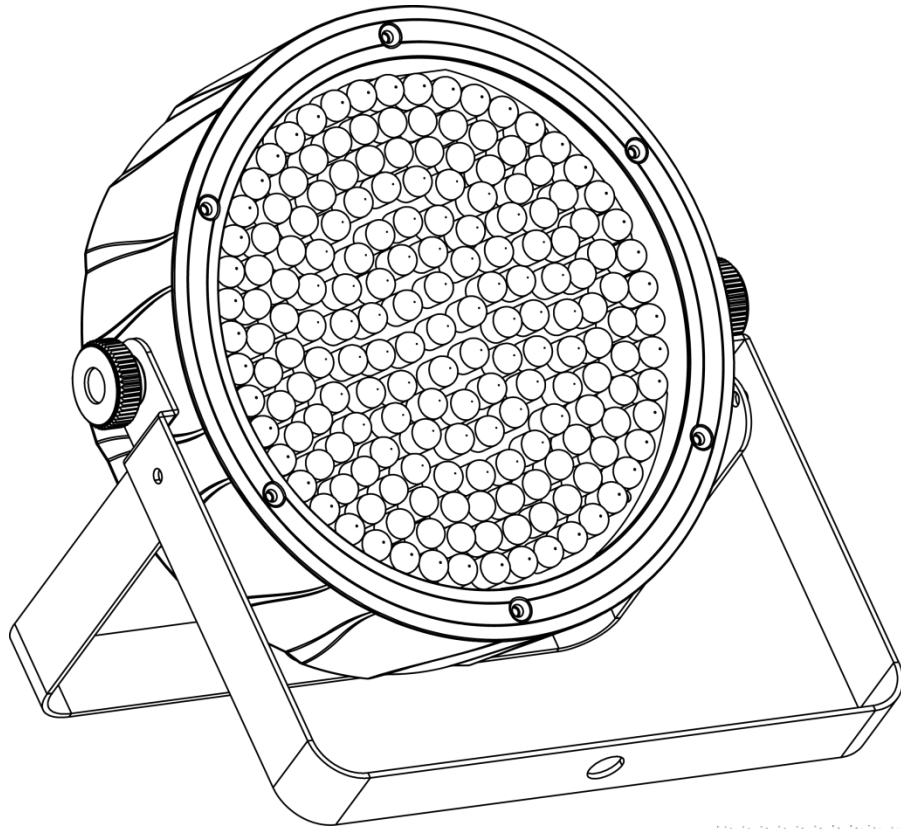


# EZpar™ 64 RGBA

## User Manual



**CHAUVET**®  
*Value · Innovation · Performance*  
It's  
**Green Thinking.**

---

# TABLE OF CONTENTS

<b>1. Before You Begin</b> .....	<b>3</b>
What Is Included .....	3
Unpacking Instructions .....	3
Claims .....	3
Text Conventions .....	3
Symbols .....	3
Disclaimer .....	3
Product at a Glance .....	4
Safety Notes .....	4
<b>2. Introduction</b> .....	<b>5</b>
Overview .....	5
Dimensions .....	6
<b>3. Setup</b> .....	<b>7</b>
AC Power .....	7
Charging the Battery .....	7
Battery Life Indicator .....	7
Battery Maintenance .....	7
Fuse Replacement .....	8
Power Linking .....	9
Mounting .....	10
Orientation .....	10
Rigging .....	10
<b>4. Operation</b> .....	<b>11</b>
Control Panel Operation .....	11
Menu Map .....	11
Configuration (DMX) .....	12
Starting Address .....	12
DMX Channel Modes, Assignments, and Values .....	13
8-Channel .....	13
4-Channel .....	13
Configuration (Standalone) .....	14
Sound-Active Mode .....	14
Sound Sensitivity .....	14
Auto Programs .....	14
Program Speed .....	14
Static Colors .....	15
Custom Color Mixing .....	15
Infrared Sensor .....	15
IRC Operation .....	16
Master/Slave Mode .....	17
<b>5. Technical Information</b> .....	<b>18</b>
Product Maintenance .....	18
<b>6. Technical Specifications</b> .....	<b>19</b>
Returns .....	20
Contact Us .....	20

# 1. BEFORE YOU BEGIN

## What Is Included

- EZpar™ 64 RGBA
- Infrared Remote Control (IRC)
- Power Cord
- Warranty Card
- Quick Reference Guide

## Unpacking Instructions

Carefully unpack the product immediately and check the container to make sure all the parts are in the package and are in good condition.

## Claims




If the box or the contents (the product and included accessories) appear damaged from shipping, or show signs of mishandling, notify the carrier immediately, not CHAUVET®. Failure to report damage to the carrier immediately may invalidate your claim. In addition, keep the box and contents for inspection.

For other issues, such as missing components or parts, damage not related to shipping, or concealed damage, file a claim with CHAUVET® within 7 days of delivery.

## Text Conventions

Convention	Meaning
1–512	A range of values
50/60	A set of values of which only one can be chosen
<b>Settings</b>	A menu option not to be modified
<b>Menu &gt; Settings</b>	A sequence of menu options to be followed
<b>&lt;ENTER&gt;</b>	A key to be pressed on the product's control panel
<b>ON</b>	A value to be entered or selected

## Symbols

Symbol	Meaning
	Critical installation, configuration, or operation information. Not following these instructions may make the product not work, cause damage to the product, or cause harm to the operator.
	Important installation or configuration information. The product may not function correctly if this information is not used.
	Useful information.

## Disclaimer

The information and specifications contained in this User Manual are subject to change without notice. CHAUVET® assumes no responsibility or liability for any errors or omissions, and reserves the right to revise or recreate this manual at any time. Download the latest version from [www.chauvetlighting.com](http://www.chauvetlighting.com).

© Copyright 2013 CHAUVET®. All rights reserved.

Electronically published by CHAUVET® in the United States of America.

Author	Date	Editor	Date
Albert Leon	06/12/13	T. Yeago	06/20/13

## Product at a Glance

Use on Dimmer	X	Auto Programs	P
Outdoor Use	X	Auto-ranging Power Supply	P
Sound-Activated	P	Replaceable Fuse	P
DMX	P	User-Serviceable	X
Master/Slave	P		

## Safety Notes

These notes include important information about the mounting, usage, and maintenance of this product; read before using the product.



- Always connect the product to a grounded circuit to avoid the risk of electrocution.
- Always disconnect the product from the power source before cleaning or replacing the fuse.
- Avoid direct eye exposure to the light source while the product is on.
- Make sure the power cord is not crimped or damaged.
- Never disconnect the product from power by pulling or tugging on the cord.
- If mounting the product overhead, always secure to a fastening device using a safety cable.
- Make sure there are no flammable materials close to the product when operating.
- Do not touch the product's housing when operating because it may be very hot.



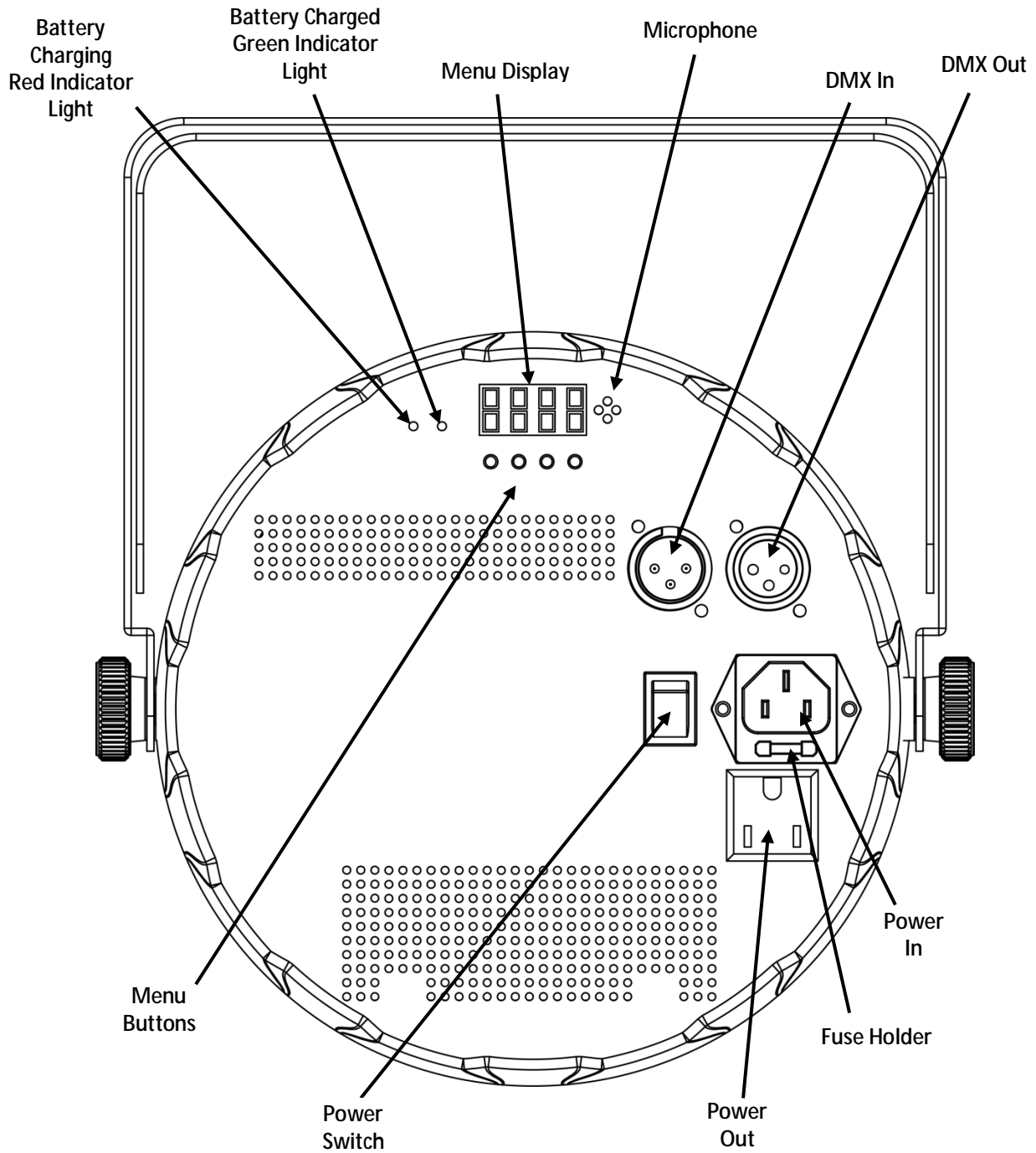
- Always make sure that the voltage of the outlet to which you are connecting the product is within the range stated on the decal or rear panel of the product.
- The product is for indoor use only! (IP20) To prevent risk of fire or shock, do not expose the product to rain or moisture.
- Always install the product in a location with adequate ventilation, at least 20 in (50 cm) from adjacent surfaces.
- Be sure that no ventilation slots on the product's housing are blocked.
- Never connect the product to a dimmer.
- Make sure to replace the fuse with another of the same type and rating.
- Never carry the product from the power cord or any moving part. Always use the hanging/mounting bracket.
- The maximum ambient temperature (Ta) is 104° F (40° C). Do not operate the product at higher temperatures.
- In the event of a serious operating problem, stop using the product immediately.
- Never try to repair the product. Repairs carried out by unskilled people can lead to damage or malfunction. Contact the nearest authorized technical assistance center.
- This product is not intended for permanent installation.



- Keep this User Manual for future use. If you sell the product to another user, be sure to give this document to the next owner.

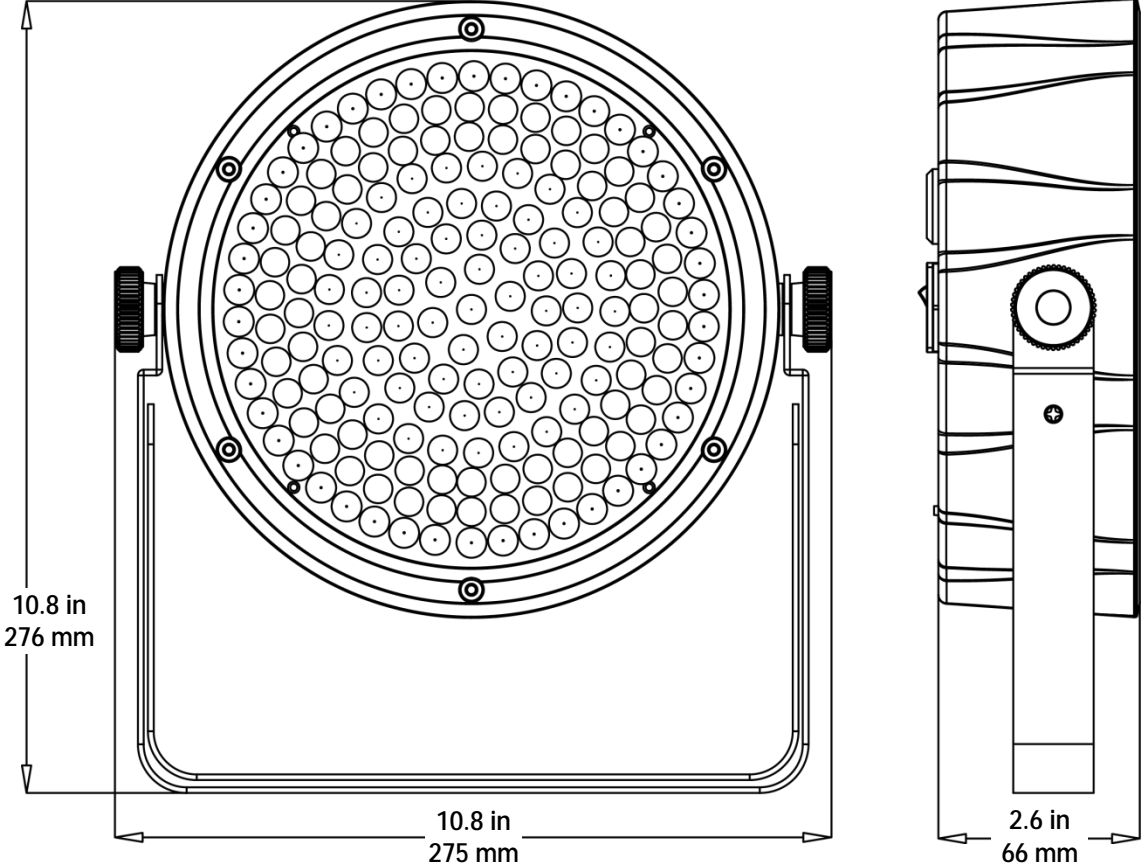
## 2. INTRODUCTION

### Overview



Back Panel View

# Dimensions



## 3. SETUP

**AC Power** The EZpar™ 64 RGBA has an auto-ranging power supply and it can work with an input voltage range of 100–240 VAC, 50/60 Hz.

To determine the product's power requirements (circuit breaker, power outlet, and wiring), use the current value listed on the label affixed to the product's back panel, or refer to the product's specifications chart. The listed current rating indicates the product's average current draw under normal conditions.



**Always connect the product to a protected circuit (circuit breaker or fuse). Make sure the product has an appropriate electrical ground to avoid the risk of electrocution or fire.**



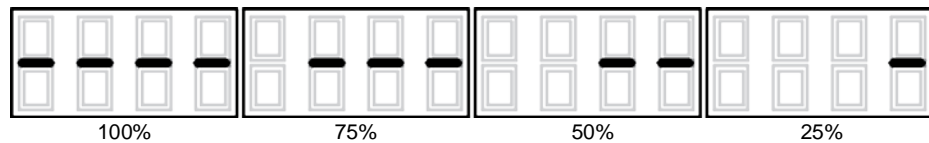
**Never connect the product to a rheostat (variable resistor) or dimmer circuit, even if the rheostat or dimmer channel serves only as a 0–100% switch.**

### Charging the Battery

The EZpar™ 64 RGBA comes with a rechargeable lithium battery for cable-free operation. To charge the battery, simply plug in the power cord at any time before, during, or after operation. To charge the battery before or after operation with all the LEDs off, leave the power switch in the Off position. The red indicator light for the battery turns on while the battery is charging. The green indicator light turns on when the battery is done charging.

### Battery Life Indicator

The battery life indicator shows the remaining amount of internal battery life when the menu buttons are inactive. Use the chart below to find out how much battery life remains per charge cycle.



**The EZpar™ 64 RGBA battery should be charged 24 hours prior to initial use for optimal battery life.**

### Battery Maintenance

To keep the battery in optimal operating condition, store the product in a cool, dry place and charge at least once every 30 days when not in use.

Avoid exposure to extreme temperatures. If the product is exposed to extreme cold or hot temperatures, warm up/cool down the product before use and before charging.

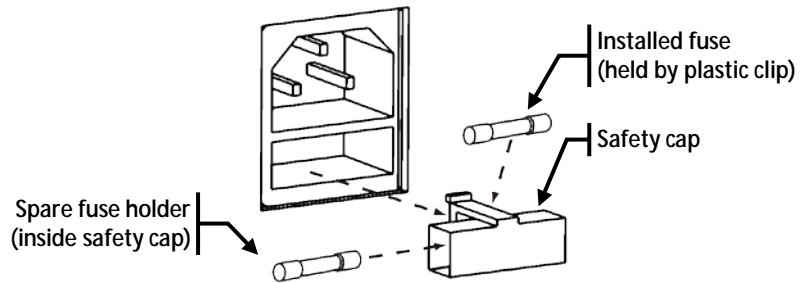
---

## Fuse Replacement



**Disconnect the product from power before replacing the fuse.**

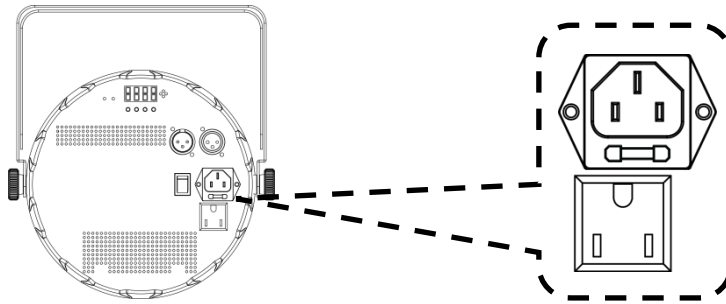
1. Disconnect the product from power.
2. Wedge the tip of a flat-head screwdriver into the slot of the fuse holder.
3. Pry the fuse holder out of the housing.
4. Remove the blown fuse from the holder.
5. Replace with a fuse of the exact same type and rating.
6. Insert the fuse holder back in place and reconnect power.



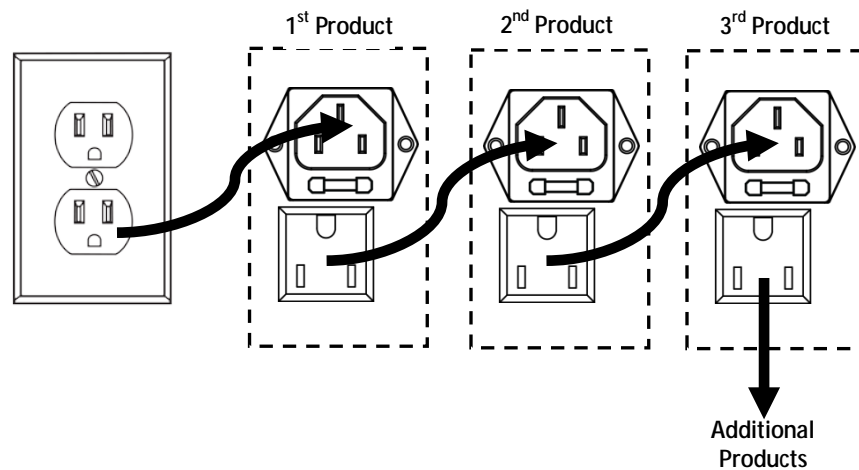
**A spare fuse is not included; however, the safety cap has room for a spare.**



**Power Linking** The product provides power linking via the Edison/IEC outlet located in the back of the unit.



**Power Linking Diagram**



You can power link up to 55 EZpar™ 64 RGBA units on 120 VAC or up to 85 EZpar™ 64 RGBA units on 230 VAC.



The power linking diagram shown above corresponds to the North American version of the product ONLY! If using the product in other markets, you must consult with the local CHAUVET® distributor as power linking connectors and requirements may differ in your country or region.

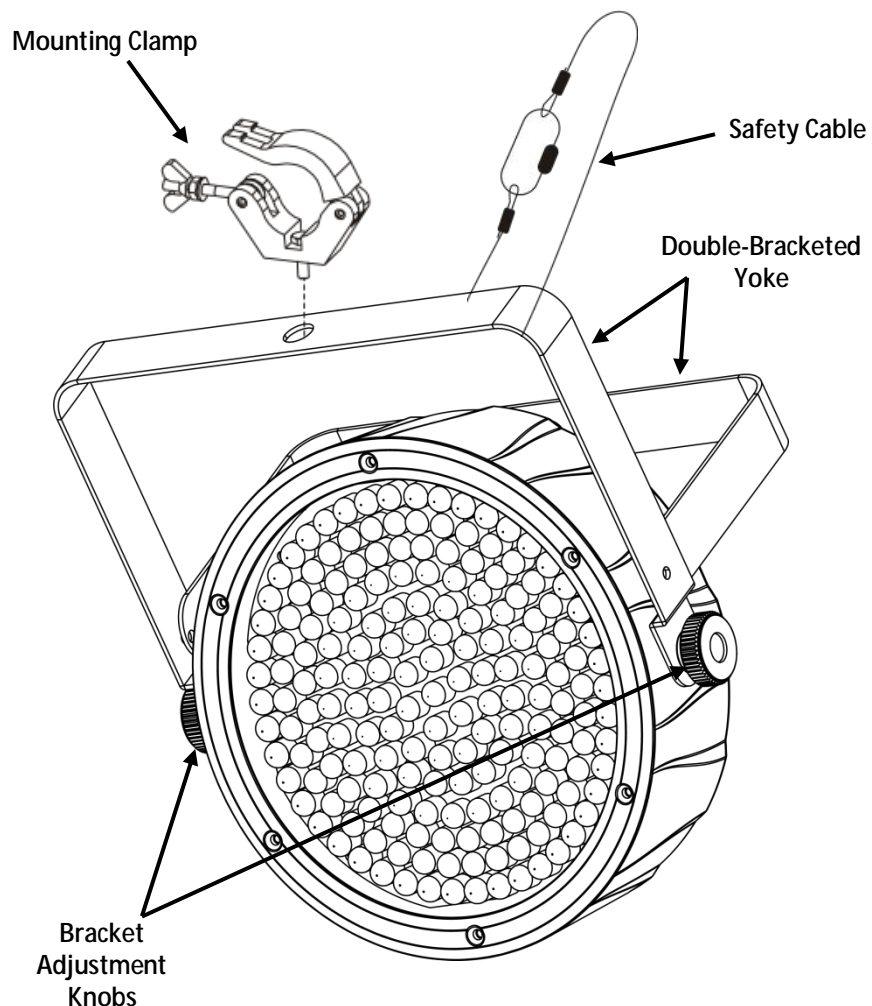
---

**Mounting** Before mounting the product, read and follow the safety recommendations indicated in the Safety Notes.

**Orientation** The EZpar™ 64 RGBA may be mounted in any position; however, make sure adequate ventilation is provided around the product.

- Rigging**
- Before deciding on a location, always make sure there is easy access to the product for maintenance and programming.
  - Make sure that the structure or surface onto which you are mounting the product can support the product's weight (see the [Technical Specifications](#)).
  - When mounting the product overhead, always use a safety cable. Mount the product securely to a rigging point, such as an elevated platform or a truss.
  - When rigging the product onto a truss, you should use a mounting clamp of appropriate weight capacity. The bracket has a 13-mm hole, which is appropriate for this purpose.
  - When power linking multiple products, you must always consider the length of the power linking cable and mount the products close enough for the cable to reach.
  - The bracket adjustment knobs allow for directional adjustment when aiming the product to the desired angle. Only loosen or tighten the bracket knobs manually. Using tools could damage the knobs.
  - The double-bracketed yoke also serves as a floor support. When mounting the product on the floor, make sure that the product and cables are away from people and vehicles.

**Mounting Diagram**



## 4. OPERATION

### Control Panel Operation

To access the control panel functions, use the four buttons located underneath the display.

Button	Function
<MENU>	Selects an operation mode or backs out of the current menu option
<UP>	Scrolls up the list of options or selects a higher value
<DOWN>	Scrolls down the list of options or selects a lower value
<ENTER>	Activates a menu option or a selected value

### Menu Map

Main Level	Programming Levels		Description
4-CH	d 1–d512		4-channel DMX mode (RGBA)
8-CH			8-channel DMX mode
C--	C 1	Red	Preset static colors
	C 2	Green	
	C 3	Blue	
	C 4	Amber	
	C 5	Cyan	
	C 6	Magenta	
	C 7	Yellow	
	C 8	White (RGB)	
	C 9	Orange	
	C 10	Light Green	
	C 11	Violet	
	C 12	Yellow	
	C 13	Pink	
	C 14	Light Blue	
	C 15	White (RGBA)	
P--	P 1		4-color program (switching)
	P 2		4-color program (fading)
	P 3		15-color program (switching)
	P 4		15-color program (fading)
	P 5		4-color program (sound-active)
	P 6		15-color program (sound-active)
S--	S 1–S100		Program speed for P 1–P 4
SenS	u 0–u100		Sound sensitivity control
U--	r 0–r100	Red (0–100%)	Custom static colors Combines red, green, blue, and amber
	g 0–g100	Green (0–100%)	
	b 0–b100	Blue (0–100%)	
	A 0–A100	Amber (0–100%)	
SET	ON		Turns infrared on or off
	OFF		

---

## Configuration (DMX)

Set the product in DMX mode to control with a DMX controller.

1. Connect the product to a suitable power outlet.
2. Turn the product on.
3. Connect a DMX cable from the DMX output of the DMX controller to the DMX input socket on the product.

## Starting Address

When selecting a starting DMX address, always consider the number of DMX channels the selected DMX mode uses. If you choose a starting address that is too high, you could restrict the access to some of the product's channels.

The EZpar™ 64 RGBA uses up to 8 DMX channels in its 8-channel DMX mode, which defines the highest configurable address to **505**.

If unfamiliar with DMX, download the DMX Primer from [www.chauvetlighting.com](http://www.chauvetlighting.com).

To select the starting address, do the following:

1. Press **<MENU>** repeatedly until **4-CH** (for the 4-channel mode) or **8-CH** (for the 8-channel mode) shows on the display.
2. Press **<ENTER>** to activate the selected DMX personality and **d 1-d512** shows on the display.
3. Use **<UP>** or **<DOWN>** to select the desired starting address.
4. Press **<ENTER>**.

## DMX Channel Modes, Assignments, and Values

8-Channel	Channel	Function	Value	Setting
	1	Red	000 ó 255	0–100%
	2	Green	000 ó 255	0–100%
	3	Blue	000 ó 255	0–100%
	4	Amber	000 ó 255	0–100%
	5	Color Macros (Overrides Channels 1–4)	000 ó 015 016 ó 255	No function Color macros
	6	Speed (When Channel 7 is 032–223)	000 ó 255	Slow to fast
		Strobe	000 ó 015 016 ó 255	No function Slow to fast
	7	Mode	000 ó 031 032 ó 063 064 ó 095 096 ó 127 128 ó 159 160 ó 191 192 ó 223 224 ó 255	No function Pulse effect 0–100% Pulse effect 100%–0 Pulse effect 100%–0–100% Auto fade transition Auto snap transition (4 colors) Auto snap transition (15 colors) Sound-Active mode
	8	Dimmer	000 ó 255	0–100%

4-Channel	Channel	Function	Value	Setting
	1	Red	000 ó 255	0–100%
	2	Green	000 ó 255	0–100%
	3	Blue	000 ó 255	0–100%
	4	Amber	000 ó 255	0–100%

---

## Configuration (Standalone)

Set the product in one of the standalone modes to control without a DMX controller.

1. Connect the product to a suitable power outlet.
2. Turn the product on.



**Never connect a product that is operating in any standalone mode (Static, Automatic, or Sound-Active) to a DMX string connected to a DMX controller. Products in standalone mode may transmit DMX signals that could interfere with the DMX signals from the controller.**

### Sound-Active Mode

To enable the Sound-Active mode, do the following:

1. Press <MENU> repeatedly until **P--** shows on the display.
2. Press <ENTER> and **P 1–P 6** shows on the display.
3. Use <UP> or <DOWN> to select **P 5** (4-color Sound-Active program) or **P 6** (15-color Sound-Active program).

**Note: P 1–P 4 are auto programs (see below).**

4. Press <ENTER>.

### Sound Sensitivity

To set the sound sensitivity, follow the instructions below:

1. Press <MENU> repeatedly until **SenS** shows on the display.
2. Use <UP> or <DOWN> to select the desired sound sensitivity (**u 0–u100**).
3. Press <ENTER>.



**The product will only respond to low frequencies of music (bass and drums).**

### Auto Programs

To select an auto program, do the following:

1. Press <MENU> repeatedly until **P--** shows on the display.
2. Press <ENTER> and **P 1–P 6** shows on the display.
3. Use <UP> or <DOWN> to select the desired auto program:
  - **P 1** - 4-color program (switching)
  - **P 2** - 4-color program (fading)
  - **P 3** - 15-color program (switching)
  - **P 4** - 15-color program (fading)

**Note: P 5 and P 6 are Sound-Active programs (see above).**

4. Press <ENTER>.

### Program Speed

To set the auto program speed, follow the instructions below:

1. Press <MENU> repeatedly until **S--** shows on the display.
2. Use <UP> or <DOWN> to select the desired auto program speed (**S 1–S100**, slow to fast).

**Note: This speed setting is for auto programs P 1–P 4 only.**

3. Press <ENTER>.

---

**Static Colors** To select a preset static color, do the following:

1. Press **<MENU>** repeatedly until **C--** shows on the display.
2. Press **<ENTER>**.
3. Use **<UP>** or **<DOWN>** to select the desired preset color:
  - **C 1** - Red
  - **C 2** - Green
  - **C 3** - Blue
  - **C 4** - Amber
  - **C 5** - Cyan
  - **C 6** - Magenta
  - **C 7** - Yellow
  - **C 8** - White (RGB)
  - **C 9** - Orange
  - **C 10** - Light Green
  - **C 11** - Violet
  - **C 12** - Yellow
  - **C 13** - Pink
  - **C 14** - Light Blue
  - **C 15** - White (RGBA)
4. Press **<ENTER>**.

**Custom Color Mixing** To custom mix a color, follow the instructions below:

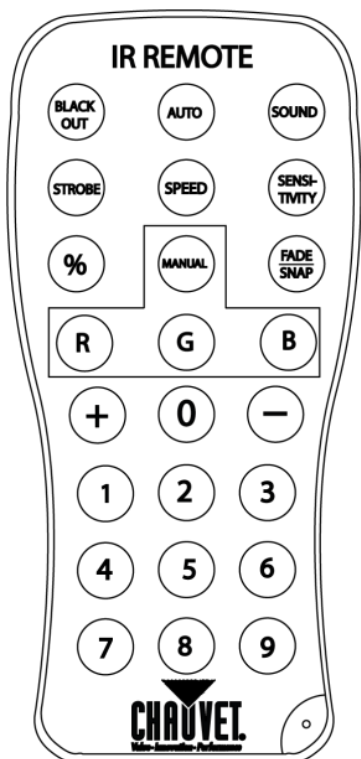
1. Press **<MENU>** repeatedly until **U--** shows on the display.
2. Press **<ENTER>** and one of the following colors shows on the display: **rXXX** (red), **gXXX** (green), **bXXX** (blue) or **AXXX** (amber).
3. Press **<ENTER>** repeatedly to select the desired color.
4. Use **<UP>** or **<DOWN>** to select the desired color value (**0–100**).  
**NOTE:** Selecting **0** will turn the color off.
5. Press **<ENTER>** to select color value and continue to the next color.
6. Repeat steps 3 to 5 until you create your desired color.

**Infrared Remote Control** The EZpar™ 64 RGBA is fully compatible with the Infrared Remote Control (IRC) from CHAUVET®. To enable use with the IRC, do the following:

1. Press **<MENU>** repeatedly until **SET** shows on the display.
2. Press **<ENTER>** and **ON** (turns on the infrared sensor) or **OFF** (turns off the infrared sensor) shows on the display.
3. Press **<UP>** or **<DOWN>** to select the desired option.
4. Press **<ENTER>**.

## IRC Operation

**Note:** Make sure to point the IRC directly at the receiver on the front of the product.



### Automatic Mode

Automatic mode will enable you to run the automatic programs on the product.

To turn on Automatic mode:

1. Press **<AUTO>** on the IRC.
2. Press **<+>** or **<->** to choose between any different auto programs.

To adjust the speed of the automatic program:

1. Press **<SPEED>** on the IRC.
2. Press **<%>**.
3. Press **<+>** or **<->** to either increase or decrease the speed of the program.

### Sound-Active Mode

Sound-Active mode will enable the product to respond to the music.

To turn on Sound Active mode:

1. Press **<SOUND>** on the IRC.

To adjust sound sensitivity in Sound-Active mode:

1. Press **<SENSITIVITY>** on the IRC.
2. Press **<%>**.
3. Press **<+>** or **<->** to either increase or decrease sound sensitivity.

### Manual Color Control

To choose a specific color with the IRC:

1. Press **<MANUAL>** on the IRC.
2. Press any number between **0–9** to choose your color (**0** = white (RGBA), **1** = red, **2** = amber, **3** = yellow, **4** = green, **5** = cyan, **6** = blue, **7** = magenta, **8** = orange, and **9** = amber).

To manually control the RGB percentage:

1. Press **<MANUAL>** on the IRC.
2. Press **<R>**, **<G>**, or **<B>** to choose your color.
3. Press **<+>** or **<->** to increase or decrease the percentage of each color.

### Miscellaneous Operation

To adjust the strobe rate of the program:

1. Press **<STROBE>** on the IRC.
2. Press **<+>** or **<->** to increase or decrease the strobe rate.
3. Press **<STROBE>** again to turn off the strobe.

To change the switching effect of the program:

1. Press **<FADE/SNAP>** on the IRC.

Fade will slowly switch the effect. Snap will rapidly switch the effect.

To black out the lights:

1. Press **<BLACK OUT>** on the IRC.

This will turn off all the lights until the button is pressed again.

**Note:** The IRC will not respond to any inputs when Black Out is activated. If the remote does not respond when a button is pressed, try pressing **<BLACK OUT>**. You may have inadvertently activated Black Out.



---

## Master/Slave Mode

The Master/Slave mode allows a single EZpar™ 64 RGBA unit (the “master”) to control the actions of one or more EZpar™ 64 RGBA units (the “slaves”) without the need of a DMX controller. The master unit will be set to operate in either an automatic program or Sound-Active mode, while the slave units will be set to operate at DMX address **d 1**. Once set and connected, the slave units will operate in unison with the master unit.

Configure the units as indicated below.

### Slave units:

1. Press **<MENU>** repeatedly until any DMX personality shows on the display.
2. Press **<ENTER>** to accept.
3. Set the DMX address to **d 1**.
4. Connect the DMX input of the first slave unit to the DMX output of the master unit.
5. Connect the DMX input of the subsequent slave units to the DMX output of the previous slave unit.
6. Finish setting and connecting all the slave units.

### Master unit:

1. Set the master unit to operate in either auto program or Sound-Active mode.
2. Make the master unit the first unit in the DMX daisy chain.



- **Configure all the slave units before connecting the master unit to the DMX daisy chain.**
- **Never connect a DMX controller to a DMX string configured for Master/Slave operation because the controller may interfere with the signals from the master unit.**
- **Do not connect more than 31 slave units to the master unit.**

---

## 5. TECHNICAL INFORMATION

### **Product Maintenance**

Dust build-up reduces light output performance and can cause overheating. This can lead to reduction of the light source's life and mechanical wear. To maintain optimum performance and minimize wear, clean the product at least twice a month. However, usage and environmental conditions contribute to increased cleaning frequency.

To clean the product, follow the instructions below:

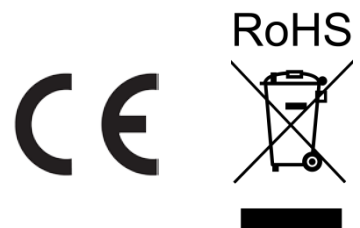
- Unplug the product from power.
- Wait until the product is at room temperature.
- Use a vacuum (or dry compressed air) and a soft brush to remove dust collected on the external surface/vents and reachable internal components.
- Clean all external optics and glass/transparent surfaces with a mild soap solution, ammonia-free glass cleaner, or isopropyl alcohol.
- Apply the solution directly to a soft, lint-free cotton cloth or a lens cleaning tissue.
- Softly wipe any dirt or grime to the outside edges of the external optics or glass/transparent surface.
- Gently polish the external optics and glass/transparent surfaces until they are free of haze and lint.



**Always dry the external optics and glass/transparent surfaces carefully after cleaning them.**

## 6. TECHNICAL SPECIFICATIONS

<b>Dimensions and Weight</b>	<b>Length</b>	<b>Width</b>	<b>Height</b>	<b>Weight</b>
	10.8 in (276 mm)	10.8 in (275 mm)	2.6 in (66 mm)	4 lbs (1.9 kg)
<b>Note:</b> Dimensions in inches rounded to the nearest decimal digit.				
<b>Power</b>	<b>Power Supply Type</b>	<b>Range</b>	<b>Voltage Selection</b>	
	Switching (internal)	100~240 V, 50/60 Hz	Auto-ranging	
	<b>Parameter</b>	<b>120 V, 60 Hz</b>	<b>230 V, 50 Hz</b>	
	Consumption	33 W	35 W	
	Operating	0.3 A	0.2 A	
<b>Power I/O</b>	<b>Power I/O</b>	<b>US/Worldwide</b>	<b>UK/Europe</b>	
	Power input connector	IEC	IEC	
	Power output connector	Edison	IEC	
<b>Light Source</b>	<b>Type</b>	<b>Power</b>	<b>Lifespan</b>	
	LED	0.25 W	100,000 hours	
	<b>Color</b>	<b>Quantity</b>	<b>Current</b>	
	Red	45	20 mA	
	Green	45	20 mA	
<b>Photo Optic</b>	<b>Parameter</b>			
	Illuminance @ 2 m	1325 lx		
	Beam angle	14°		
<b>Battery</b>	<b>Parameter</b>	<b>All Colors On</b>	<b>Single Color On</b>	
	Maximum run time	Up to 8 hrs	Up to 20 hrs	
	Recharge time	6 hrs	6 hrs	
<b>Thermal</b>	<b>Maximum External Temp.</b>	<b>Cooling System</b>		
	104° F (40° C)	Convection		
<b>DMX</b>	<b>I/O Connectors</b>	<b>Connector Type</b>	<b>Channel Range</b>	
	3-pin XLR	Sockets	4, 8	
<b>Ordering</b>	<b>Product Name</b>	<b>Item Code</b>	<b>UPC Number</b>	
	EZpar™ 64 RGBA (black)	03030670	781462210182	
	EZpar™ 64 RGBA (white)	03030671	781462210199	



---

To return a product or request support:

- In the U.S., contact CHAUVET® World Headquarters (see below).
- In the UK or Ireland, contact CHAUVET® Europe Ltd. (see below).
- In any other country, DO NOT contact CHAUVET®. Contact your distributor. See [www.chauvetlighting.com](http://www.chauvetlighting.com) for distributors outside the U.S., United Kingdom, or Ireland.



**If you live outside the U.S., United Kingdom, or Ireland, contact your distributor of record and follow their instructions on how to return CHAUVET® products to them. Visit our website for contact details.**

## Returns

Call the corresponding CHAUVET® Technical Support office and request a Return Merchandise Authorization (RMA) number before shipping the product. Be prepared to provide the model number, serial number, and a brief description of the cause for the return.

You must send the merchandise prepaid, in its original box, and with its original packing and accessories. CHAUVET® will not issue call tags.

Clearly label the package with the RMA number. CHAUVET® will refuse any product returned without an RMA number.



**Write the RMA number on a properly affixed label. DO NOT write the RMA number directly on the box.**

Before sending the product, clearly write the following information on a piece of paper and place it inside the box:

- Name
- Address
- Phone number
- RMA number
- Description of the problem

Be sure to pack the product properly. Any shipping damage resulting from inadequate packaging will be your responsibility. FedEx packing or double-boxing are recommended.



**CHAUVET® reserves the right to use its own discretion to repair or replace returned product(s).**

## Contact Us

### World Headquarters CHAUVET®

#### General Information

Address: 5200 NW 108th Avenue  
Sunrise, FL 33351  
Voice: (954) 577-4455  
Fax: (954) 929-5560  
Toll free: (800) 762-1084

#### Technical Support

Voice: (954) 577-4455 (Press 4)  
Fax: (954) 756-8015  
Email: [tech@chauvetlighting.com](mailto:tech@chauvetlighting.com)

#### World Wide Web

[www.chauvetlighting.com](http://www.chauvetlighting.com)

### United Kingdom & Ireland CHAUVET® Europe Ltd.

#### General Information

Address: Unit 1C  
Brookhill Road Industrial Estate  
Pinxton, Nottingham, UK  
NG16 6NT  
Voice: +44 (0)1773 511115  
Fax: +44 (0)1773 511110

#### Technical Support

Email: [uktech@chauvetlighting.com](mailto:uktech@chauvetlighting.com)

#### World Wide Web

[www.chauvetlighting.co.uk](http://www.chauvetlighting.co.uk)