

PMK 155 • Installation Guide

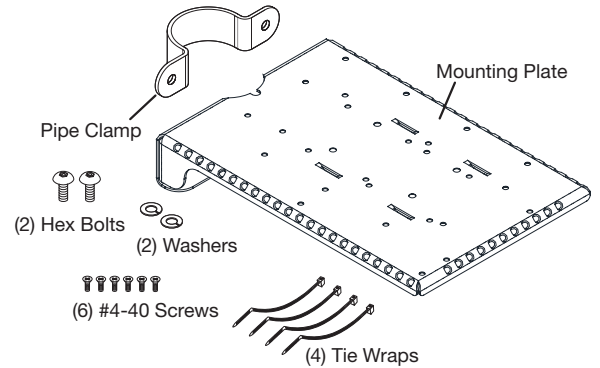
The Extron PMK 155 Pole Mount Kit is a simple solution for mounting Extron devices and their external power supplies to a projector pole. The PMK can be installed on a 1.5-inch pipe within a 4-inch space between the projector and the ceiling.

Any of the following devices can be mounted, along with their power supply:

- One 3-inch deep half-rack device
- One 6-inch deep half-rack device
- Two 3-inch deep quarter rack devices
- Four 4.5-inch deep eighth rack devices
- One MPA 401

ATTENTION:

- The maximum load for the PMK 155 is 5 lbs (2.25 kg).
- La charge maximum pour le PMK 155 est 2,25 kg (5 lbs).
- Only for use with Extron UL listed products.
- À utiliser uniquement avec les produits d'Extron, certifiés UL.



Installation

ATTENTION:

- All electrical installation should be performed by qualified personnel in accordance with local and national building codes, fire and safety codes, and local and national electrical codes.
- Toute installation électrique devrait être effectuée par un personnel qualifié, conformément aux codes du bâtiment, aux codes incendie et sécurité, et aux codes électriques locaux et nationaux.

To install the PMK 155 (with a device) on a projector pole:

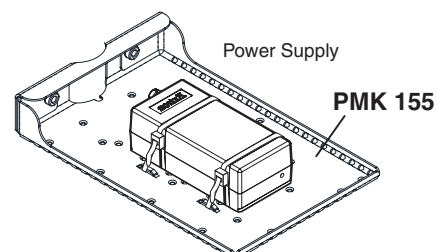
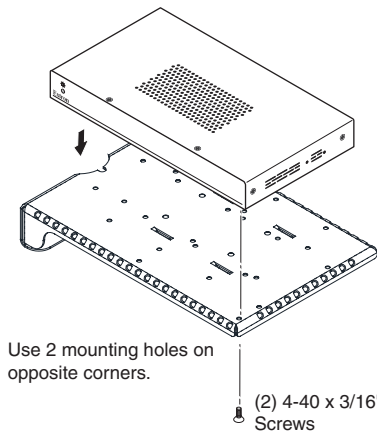
1. Place the plate on the base of the device and align holes in the plate with the mounting holes in the device.
2. Secure the device to the plate with 4-40 screws.

ATTENTION:

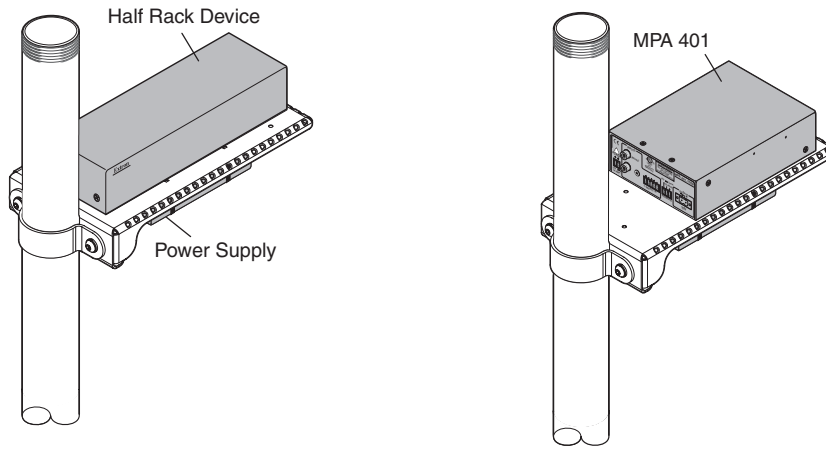
- Use only supplied screws to avoid damaging the device.
- Utilisez seulement les vis fournies pour ne pas endommager l'appareil.

3. Attach the power supply to the underside of the mounting plate by passing the supplied tie wraps under the power supply, through the raised slots in the plate, and back over the power supply.

Ensure the tie wraps sit in the grooves on the power supply. Tighten the ties until snug.



4. With the installed device on top, lift the plate up to the installation location on the projector pipe. Fit the pipe clamp around the pipe and hold it against the flange on the mounting plate.
5. Insert the two hex bolts through the clamp holes and into the flange.
6. Level the plate and tighten the hex bolts firmly to secure it against the pipe.



7. Attach input and output cables to the mounted device and thread the cables through the access hole in the projector pipe to the inputs and the display device. Use the remaining tie wraps for cable tidying.

CAUTION:

- DO NOT thread the projector power cable through the boom arm or mounting pipe. Threading it through the arm or the pipe violates national electrical regulations.
- N'enfilez pas le câble d'alimentation du projecteur sur le support flexible ou le tuyau de montage. L'enfiler sur le support ou le tuyau enfreint les réglementations électriques nationales.

8. Connect the power supply to an electrical outlet and turn on the device.

For configuration and operation of the attached devices, see the user guide for the specific device.

For information on safety guidelines, regulatory compliances, EMI/EMF compatibility, accessibility, and related topics, see the [Extron Safety and Regulatory Compliance Guide](#) on the Extron website.