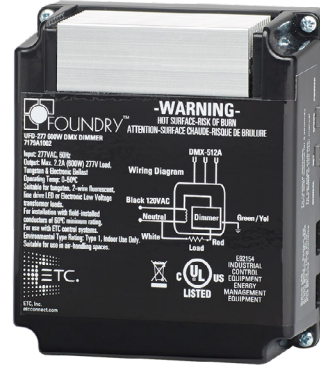


115/120V 277V

Foundry Distributed Power Series



GENERAL INFORMATION

The Foundry Phase-Adaptive Dimmer provides DMX controlled reverse- or forward- phase dimming for loads up to 600 watts. The Controller mounts to an electrical junction box.

APPLICATIONS

- Arena and stadium suites
- Office buildings
- Conference and meeting rooms
- Healthcare facilities
- Houses of worship
- Classrooms
- Hospitality and restaurants
- Retail

FEATURES

- Single-channel, 600-watt dimmer
- 120V or 277V models
- DMX controlled and RDM configurable

GENERAL

- UL and cUL LISTED

ORDERING INFORMATION

Foundry 600W Dimmer

MODEL	DESCRIPTION
UFD	600-watt DMX Phase Adaptive Dimmer (120V)
UFD-277	600-watt DMX Phase Adaptive Dimmer (277V)

FOUNDRY FAMILY OF PRODUCTS

Foundry Distributed Product Series

MODEL	DESCRIPTION
UFR2	Dual Zone DMX Relay
UFR2-LV	Dual Zone DMX Relay with 0-10V
UFD	600W 120V DMX Dimmer
UFD-277	600W 277V DMX Dimmer

Foundry Mini Panel Product Series

MODEL	DESCRIPTION
UFMP4	4 Zone Mini Panel
UFMP8	8 Zone Mini Panel



SPECIFICATIONS**FUNCTIONAL**

- Control individual fixture or zone power for tungsten, line-voltage LED and other general-purpose lighting or plug loads
- Supports loads up to 600W, minimum load of 1W
- Automatic detection of required dimming mode (forward or reverse phase) with manual override selection
- Supports USITT DMX512-A (ANSI E1.11)
- Supports RDM (ANSI E1.20)

MECHANICAL

- Constructed of injection-molded ABS plastic
- Button interface and LED indicators for configuration
- Half-inch conduit knockout mounted
- Mains-voltage wiring exits through knockout mount
- 0-10V dimming control wiring exits through knockout mount
- DMX wiring connects to side of controller
- External heatsink
- Mains power input:
 - 12 AWG Hot - Black (120V), Brown (277V)
 - 14 AWG Neutral - White
 - 12 AWG Ground - Green/Yellow
- Dimmed output:
 - 12 AWG - Red

ELECTRICAL

- 120V or 277VAC, 50/60Hz power input
- Phase-adaptive dimming control, default reverse phase
- 600W resistive or electronic load capacity
- 300W magnetic load capacity (120V only)
 - Magnetic transformers must be properly loaded to their rated current
 - Use care when retrofitting magnetic transformers with LED loads to ensure proper loading
- UL and cUL LISTED
- Conforms to UL 508 and UL 2043

DMX INPUT PORT

- Optically-isolated input from Dimmer electronics
- Withstands fault voltages of up to 250VAC
- Integrated DMX/RDM termination

CONFIGURATION

- Remote configuration available via RDM controllers including:
 - ETC DMX/RDM gateway networked to a device running ETC Net3 Concert software
 - ETC control console with RDM functionality
 - 3rd party configuration and control products
- Manual configuration of the starting DMX address on the controller

THERMAL

- Ambient room temperature: 0 to 50°C
- Ambient humidity: 5 to 95% non-condensing

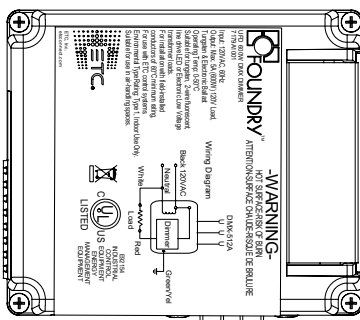
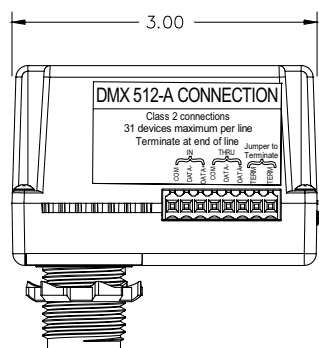
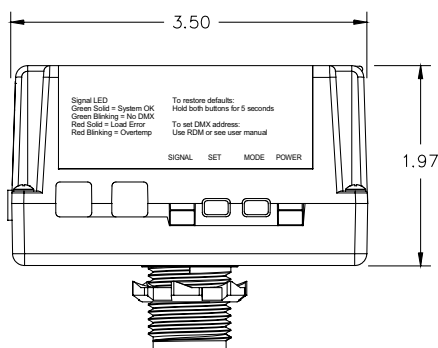
PHYSICAL

Dimmer Dimensions

MODEL	HEIGHT		WIDTH		DEPTH	
	inches	mm	inches	mm	inches	mm
UFD	2.0	51	3.5	89	3.0	77
UFD-277	2.0	51	3.5	89	3.0	77

Dimmer Weight

MODEL	WEIGHT	
	lbs	kgs
UFD	0.75	0.34
UFD-277	0.75	0.34



Corporate Headquarters • 3031 Pleasant View Rd, PO Box 620979, Middleton WI 53562 0979 USA • +1 608 831 4116

London, UK • Unit 26-28, Victoria Industrial Estate, Victoria Road, London W3 6UU, UK • +44 (0) 20 8896 1000

Rome, IT • Via Pieve Torina, 48, 00156 Rome, Italy • +39 (06) 32 111 683

Holzkirchen, DE • Ohmstrasse 3, 83607 Holzkirchen, Germany • +49 (80 24) 47 00-0

Hong Kong • Room 1801, 18/F, Tower 1 Phase 1, Enterprise Square, 9 Sheung Yuet Road, Kowloon Bay, Kowloon, Hong Kong • +852 2799 1220

Web • etconnect.com • Copyright©2018 ETC. All Rights Reserved. All product information and specifications subject to change. 7179L1002 Rev A 01/18