

ETC Quick Guide

Source 4WRD II Version 1.1.2

Introduction

The Source 4WRD II LED is a replacement for a standard Source Four burner assembly. It converts the HPL source to a white-light LED and provides a significant reduction in power consumption.

For complete information, download the Installation and User Manual at etconnect.com, or view online help on your smartphone or tablet by scanning this code.



What's in the Box

- Source 4WRD II retrofit
- Threaded post (see [Install the Source 4WRD II Retrofit on page 4](#))

Safety

The Source 4WRD II fixture is intended for professional use only. Read the entire manual before using this equipment.



WARNING: Note the following safety warnings before use:

- Do not mount the fixture on or near a flammable surface.
 - Do not use this fixture with a damaged power lead. If the power lead (cord set) is damaged, it must be replaced.
 - Mount and support the fixture only by the primary suspension holes in the yoke.
 - Suspend the fixture from a suitable structure using only hardware rated for the weight of the fixture.
 - In addition to primary suspension, attach a safety cable (ETC Model 400SC or other approved safety cable or device) to the fixture housing. An appropriate attachment point (hole) is provided in the protruding tab on the fixture housing.
 - Disconnect the unit from power and DMX and allow the fixture to cool before removing or installing accessories, and before all cleaning and maintenance.
-



Corporate Headquarters Middleton, WI, USA +1 608 831 4116
London, UK +44 (0)20 8896 1000 **Holzkirchen, DE** +49 (80 24) 47 00-0
Rome, IT +39 (06) 32 111 683 **Hong Kong** +852 2799 1220 **Paris, FR** +33 1 4243 3535
Web etconnect.com **Support** support.etconnect.com

Contact etconnect.com/contact ETC © 2020 Electronic Theatre Controls, Inc.
Product information and specifications subject to change. ETC intends this document to be provided in its entirety. Trademark and patent info: etconnect.com/ip
7067M1330-1.1.2 Rev A Released 2020-10

ETC Quick Guide

Source 4WRD II Version 1.1.2



AVERTISSEMENT : Prendre connaissance des avertissements de sécurité suivants avant toute utilisation :

- Ne pas installer le projecteur sur ou à côté d'une surface inflammable.
- Ne pas utiliser ce projecteur avec un cordon d'alimentation endommagé. Si le cordon d'alimentation (câble) est abîmé, il doit être remplacé.
- Installer et accrocher le projecteur uniquement par les trous de fixation principaux de la lyre.
- Accrocher le projecteur à une structure convenable en utilisant seulement du matériel adapté au poids du projecteur.
- En plus de l'accroche principale, fixer une élingue de sécurité (modèle ETC 400SC ou autre câble/dispositif de sécurité certifié) au corps du projecteur. Un point d'accroche (trou) approprié est prévu dans la patte qui ressort du boîtier du projecteur.
- Déconnecter l'alimentation et le DMX et laisser le projecteur refroidir avant d'enlever ou installer l'optique découpe ou les autres adaptateurs, et avant tout nettoyage et entretien.



WARNING: Note the following safety warnings before use:

- The Source 4WRD II LED is not user serviceable. Field modification of the Source 4WRD II LED will void your ETC warranty.
- Do not use the fixture below 5°C (41°F).
- Minimum storage temperature is 5°C (41°F). When the fixture has been stored or transported in cold temperatures, allow it to warm to room temperature for a minimum of 1 hour before applying power. Applying power to a cold fixture will cause damage to the fixture and void the ETC warranty.
- Do not use this fixture if a glass lens is deeply scratched or cracked. Damaged lenses must be replaced.
- To prevent wiring damage, or abrasion, do not expose wiring to edges of sheet metal or other sharp objects.
- Use the fixture in dry locations only, where humidity does not exceed 90 percent (non-condensing). These fixtures are not intended for outdoor use.

ETC Quick Guide

Source 4WRD II Version 1.1.2

Retrofit the Fixture



WARNING: RISK OF FIRE OR ELECTRIC SHOCK! Installing the Source 4WRD II LED retrofit kit requires knowledge of luminaire electrical systems. If you are not qualified, do not attempt installation. Contact a qualified electrician.

AVERTISSEMENT : RISQUE D'INCENDIE OU DE DÉCHARGE ÉLECTRIQUE! Installer le nécessaire de conversion Source 4WRD II LED nécessite une connaissance des systèmes électriques de projecteurs. Si vous n'êtes pas qualifié, ne tentez pas l'installation. Faire appel à un électricien qualifié.



Note: *THE RETROFIT KIT IS ACCEPTABLE AS A COMPONENT OF A LUMINAIRE WHERE THE SUITABILITY OF THE COMBINATION SHALL BE DETERMINED BY AUTHORITIES HAVING JURISDICTION.*

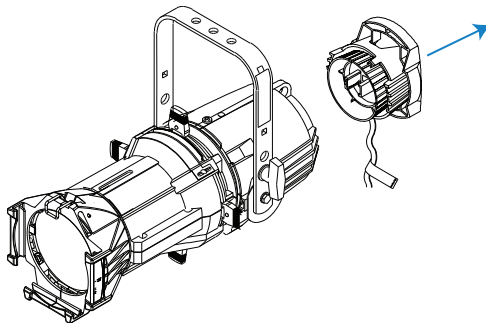
Wire the Power Connector (If Needed)

If you ordered a Source 4WRD II retrofit without a power connector, wire the connector in accordance with all national and local electrical codes:

- Brown = Live
- Blue = Neutral
- Green/Yellow = Protective earth

Remove Incandescent Lamp Housing

1. Unplug the Source Four incandescent fixture and place it on a flat, stable surface.
2. Loosen the brass thumb screw located above the beam adjustment knob. The lamp housing is now loose.
3. Remove the lamp housing from the fixture body.



ETC Quick Guide

Source 4WRD II Version 1.1.2

Install the Source 4WRD II Retrofit



WARNING: RISK OF FIRE OR ELECTRIC SHOCK! Install this kit only onto luminaires that have the construction features and dimensions shown in the images in this document and where the input rating of the retrofit kit does not exceed the input rating of the luminaire.

AVERTISSEMENT : RISQUE D'INCENDIE OU DE DÉCHARGE ÉLECTRIQUE! N'installer ce kit que sur les projecteurs qui ont les caractéristiques de construction et les dimensions indiquées sur les images de ce document et où la puissance électrique nécessaire à la conversion n'excède pas la puissance maximale du projecteur.



WARNING: Do not make or alter any open holes in an enclosure of wiring or electrical components during kit installation.



CAUTION: *Do not touch or clean LED emitters with anything other than oil-free canned air.*

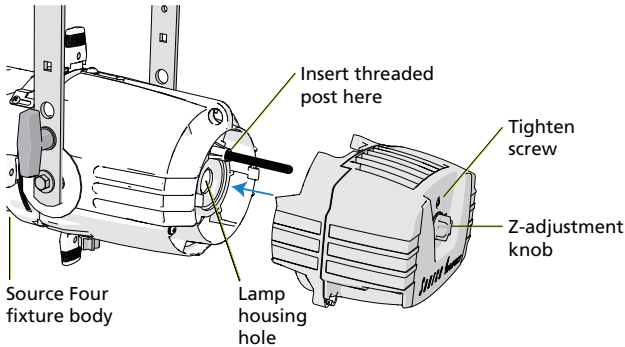
Tools required:

- Adjustable wrench
- #2 Phillips screwdriver

1. Use oil-free canned air to clean the LED emitters before you install the retrofit. Do not touch the LED emitters.
2. With the fixture resting securely on a flat surface, attach the supplied threaded post to the back end of the fixture body. Use an adjustable wrench to tighten the threaded post one-quarter turn past finger tight.
3. Gently slide the Source 4WRD II LED onto the fixture body and threaded post while guiding the LED tower into the lamp housing hole, as shown in the following image. Take care to prevent contact between the LEDs and the reflector.

ETC Quick Guide

Source 4WRD II Version 1.1.2



4. Use a #2 Phillips screwdriver to tighten the screw located on the back end of the Source 4WRD II LED, directly above the Z-adjustment knob.
5. Pull gently to verify secure attachment.
6. Set the Z-adjustment using the Z-adjustment knob. See [Set the Z-adjustment on page 8](#).

Attach C-clamp and Safety Cable

The C-clamp attaches the fixture to the mounting pipe and allows you to adjust the position of the mounted fixture. ETC recommends using 1.5 in schedule 40 pipe.

1. Tightly fasten the C-clamp to the yoke with the provided yoke bolt and lock washer.
2. Place the C-clamp on mounting pipe, and then tighten the pipe bolt to secure it.
3. Loosen the C-clamp pan screw and rotate the yoke to the desired position.
4. Tighten the pan screw to lock the fixture.
5. Connect the safety cable.
6. Tighten the C-clamp pipe bolt to 15–20 ft-lb (20–27 Nm), approximately finger tight plus up to one-quarter turn.



CAUTION: Do not exceed 25 ft-lb (33 Nm) while tightening the C-clamp pipe bolt. Do not use excessive force.

7. Tighten the yoke pivot bolt to 5–10 ft-lb (6–7 Nm), approximately finger tight plus up to one-eighth turn.



CAUTION: Do not exceed 15 ft-lb (20 Nm) while tightening the yoke pivot bolt. Do not use excessive force.

ETC Quick Guide

Source 4WRD II Version 1.1.2

Connect Cables

You can control the fixture using AC power or DMX. Configure the fixture to use the appropriate control method on the user interface. See [Configure the Fixture on the facing page](#).



WARNING: Do not use or store the Source 4WRD II fixture below 5°C (41°F). When the fixture has been stored or transported in cold temperatures, allow it to warm to room temperature for a minimum of 1 hour before applying power. Applying power to a cold fixture will cause damage to the fixture and void ETC warranty.



Note: For optimum performance, make sure that your dimmer is out of regulated mode. See [Line-dimming on the facing page](#) for recommended dimmer settings.



Note: Connecting both power and data from a SmartBar 1 to a Source 4WRD II fixture may cause flickering.

1. If you are using DMX control: Connect one RJ45 data cable for data-in and one for data-thru, as needed. Use the strain relief at the bottom of the fixture to support the data cables.
 - To order an RJ45-to-female XLR adapter, use ETC part number W6538.
 - To order an RJ45-to-male XLR adapter, use ETC part number W6539.
2. If you are using DMX control and this is the last fixture in the line, terminate the fixture with a 120 Ohm resistor. Please contact your ETC customer service representative to purchase ETC part number N4086.
3. Connect the fixture to the power source.

ETC Quick Guide

Source 4WRD II Version 1.1.2

DMX Dimming

When dimming via DMX, consider the following:

- When using DMX over Cat5, use Cat5e or better.
- Cable distance for full DMX daisy chain must not exceed 300 m (1000 ft).
- Up to 32 fixtures can be connected together into a daisy chain.
- The fixture cannot be controlled via Ethernet protocols and should not be directly connected to an Ethernet system.
- When DMX data is lost, the LED emitters turn off.
- The fixture uses a single DMX channel for intensity control.

Line-dimming

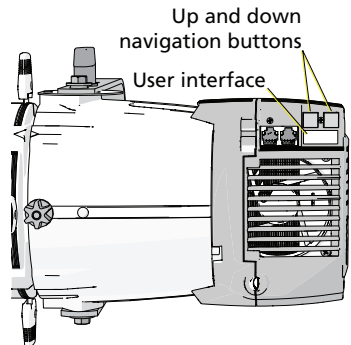
For the most current information on additional dimmer performance testing for both ETC and non-ETC dimmers, please visit the ETC website:

https://support.etconnect.com/ETC/Fixtures/Source_Four/Source_4WRD%2F%2FSource_4WRD_PAR/Dimmer_Settings_for_Use_with_Source_4WRD

Configure the Fixture

The two-button, seven-segment display shows the DMX address, AC mode, or the manually-set level. Use the up and down navigation buttons to configure the fixture.

- **Set a DMX address:** Use the up and down arrows to navigate to the desired DMX address number (1–512).
- **Set the fixture to use line-dimming (AC mode):** Use the down arrow to navigate one number below DMX address 1. The display will read **AC**.
- **Manually set a level:** Use the down arrow to navigate one number below **AC**. The display will read **L_FL** (Level = Full). Use the down arrow to decrease the level to a percentage of full (**L_99** = 99%, **L_98** = 98%, etc.). You can set levels from 0%–100% (full).



ETC Quick Guide

Source 4WRD II Version 1.1.2

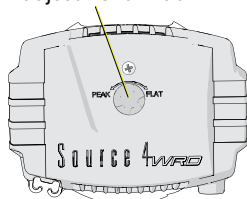
Focus the Fixture

Set the Z-adjustment

Use the Z-adjustment knob located on the rear of the fixture to adjust the field of the LED light for specific applications.

1. Turn on the fixture and aim it at a flat surface.
2. Slide the fixture barrel toward or away from the Source 4WRD II LED to create a hard-edged beam of light.
3. Turn the knob toward PEAK or FLAT until you achieve the desired field.

Z-adjustment knob



Ideal beam of uniform light



Adjust toward PEAK to blend overlapped beams



Adjust toward FLAT to improve sharp focus



Note: *The Source 4WRD PAR or PARNel Fixture Body optics are optimized for PEAK focus. When using the Source 4WRD II LED in a Source 4WRD PAR or PARNel Fixture Body, turn the Z-adjustment knob toward PEAK until the knob becomes loose, and then tighten the Z-adjustment knob an additional quarter turn. This sets the LED light source into the appropriate position within the fixture.*
