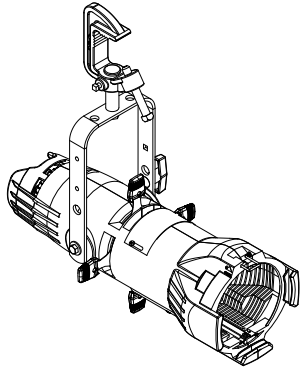
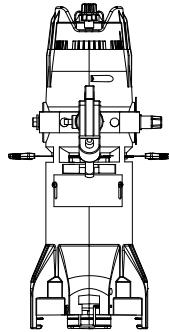


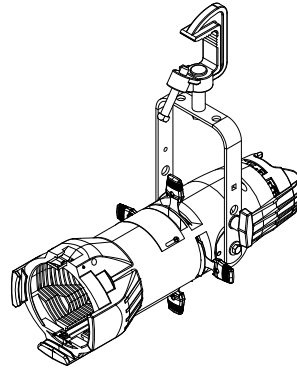
SW ISOMETRIC VIEW



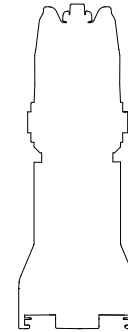
TOP VIEW



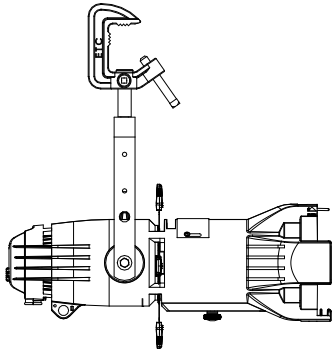
SE ISOMETRIC VIEW



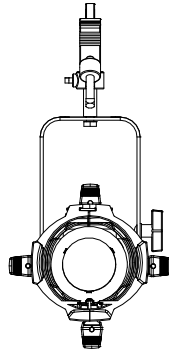
FOOTPRINT TEMPLATE



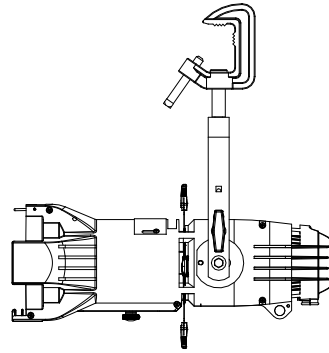
LEFT SIDE VIEW



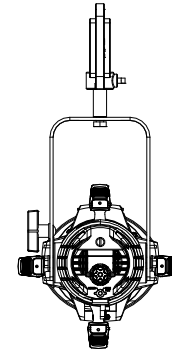
FRONT VIEW



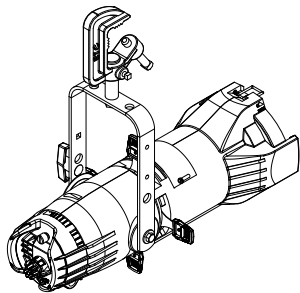
RIGHT SIDE VIEW



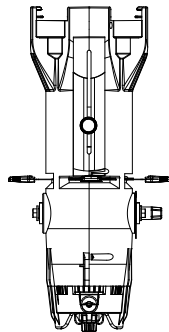
REAR VIEW



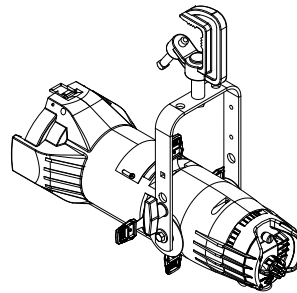
NW ISOMETRIC VIEW



BOTTOM VIEW

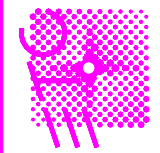


NE ISOMETRIC VIEW



JOB:		LOCATION:		CONTRACT WITH:		REPRESENTATIVE:		TITLE:		FILE NAME:	
											SA--R-VIEWS.DWG
SUBMITTAL		TW		BY		DATE		APPD.		SCALE:	
DWG. STATUS		9/1/11								FULL	
PART NUMBER:		SOURCE-FOUR, Jr. ELIPSOIDAL SPOTLIGHT (ALL VIEWS) - PHYSICAL									
7062A1001											

Electronic Theatre Controls inc
 3031 Pleasant View Rd
 PO Box 620979
 Middleton WI 53562 0979
 Tel: 608 831 4116
 Toll Free: 800 688 4116
 Fax: 608 836 1736
 www.etcconnect.com



UNLESS OTHERWISE SPECIFIED - ALL DIMENSIONS ARE IN INCHES.