



GENERAL INFORMATION

The ColorSource CYC is a dedicated cyclorama fixture designed with the sole purpose of creating beautiful, smooth washes of light on a cyclorama or wall. And it delivers! This is the first ETC fixture to use this innovative five-color mix of red, green, blue, lime, and indigo for expanded range and color control.

PRODUCT FEATURES

- All LED (RGBI-L)
- Rich, bright light
- Fanless operation
- Stand-alone presets and sequences
- Simple setup and user interface

ORDERING INFORMATION

ColorSource CYC

MODEL	DESCRIPTION
CSCYC	ColorSource CYC fixture, black

Color Options: Fixture ships standard in black. For additional colors please use the below color code suffix:

Add -1 for white or -5 for silver

Notes: C-clamp sold separately

COLORSOURCE CYC SHIPS WITH:

- Hanging yoke
- Power cable



PRODUCT SPECIFICATIONS

Source

LED Details	42 Lumileds LUXEON C LEDs
Max Lumens	4117
Lumens Per Watt	31
L70 Rating (Hours to 70% output)	50,000 hours (estimate pending testing data)

Color

Colors Used	Red, green, blue, indigo and lime
Color temperature range	Variable
Calibrated Array	Yes
Red Shift	No

Optical

Beam angle range	N/A (asymmetrical)
Gate size	N/A
Aperture size	N/A
Pattern projection	No
Pattern size	N/A
Camera flicker control/Hz range	1,200 Hz (default) and 25,000 Hz (via RDM)
Notes	The ColorSource CYC has a built in accessory for spill control

Control

Input method	DMX-512 via 5-pin XLR or RJ45 connector
Protocols	DMX
Modes (Footprint)	5 channel- IRGBS (5) Direct- IRGBILS (7) 1 channel- I (1) RGB- RGB (3)
RDM configuration	Yes
UI type	7-segment address display
Local control	Yes
Onboard presets	Yes (12)
Onboard sequences	Yes (5)
Onboard effects	No
Fixture to fixture control	Yes
Notes	Local level control via UI

Electrical

Voltage range	100V-240VAC, 50/60Hz
Input method	powerCON in and thru
Inrush	39A (first half-cycle) at 120V
Fixtures per circuit	9 (20A switched circuit, R20 module or similar)
Wattage (Typical/Standby)	133W/1.4W
Current draw	1.11A at 120V

Thermal

Ambient operating temp	0-40° C (32-104° F)
Fan (controllable)	No (N/A)
Droop compensation	Yes
dB range	18.5dBa average at 1m
BTUs/hour	418

Physical

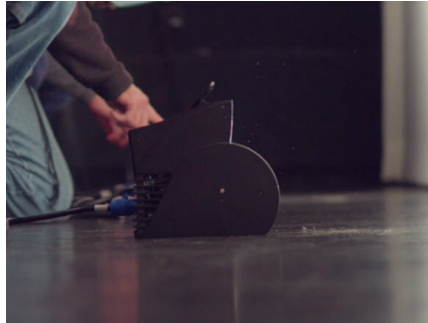
Materials	Die-cast aluminum and plastic
Color options	Black, white, silver or custom color
Mounting options	Yoke and floor
IP rating	IP-20
Weight	10.3 lbs (4.67 kg)
Included accessories	Hanging yoke, power cable
Notes	See accessories list for power cable options

PRODUCT FEATURES



UNIQUE 5-COLOR ARRAY

ColorSource CYC uses a unique blend of red, green, blue, indigo and lime LEDs



COMPACT DESIGN

The ColorSource CYC was designed to fit onto even the tightest of stages

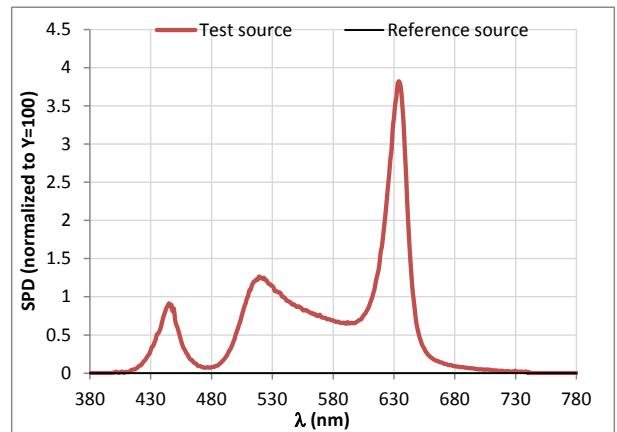
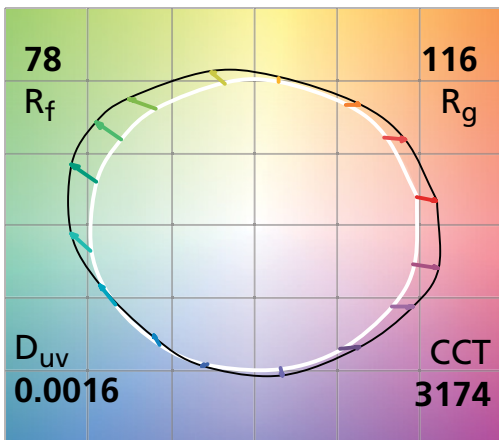


FAN-FREE

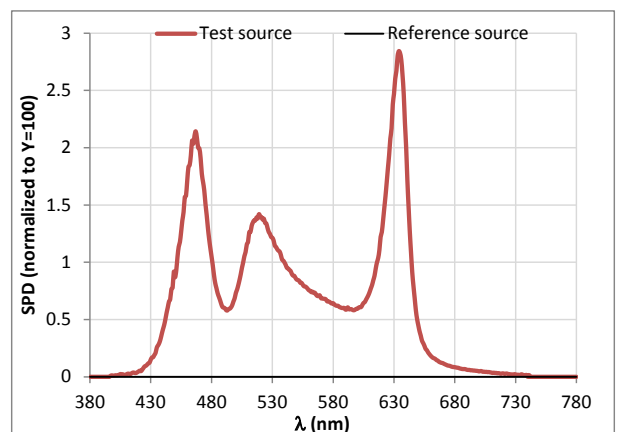
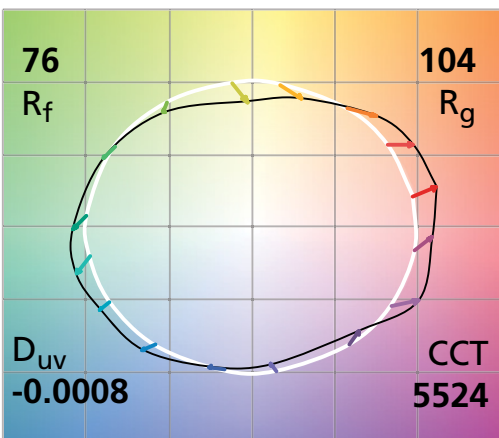
No fan means a quieter stage

COLOR METRIC INFORMATION

TM-30-15 3200K - COLORSOURCE CYC



TM-30-15 5600K - COLORSOURCE CYC



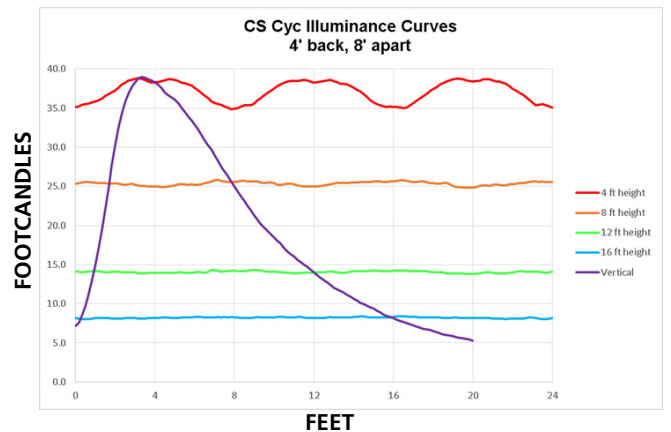
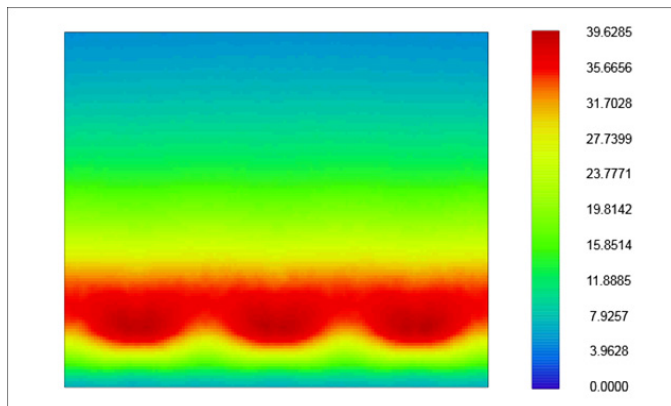
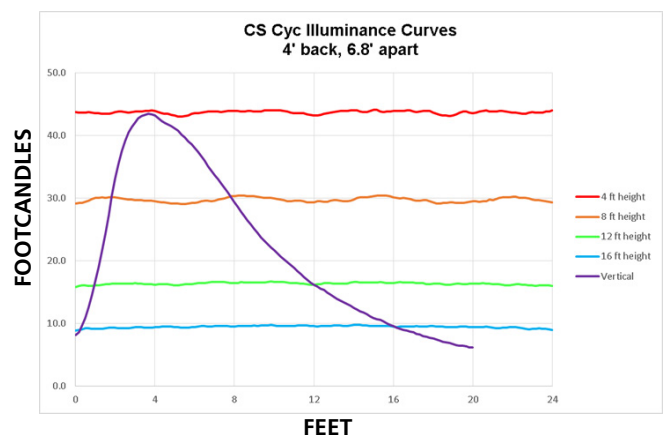
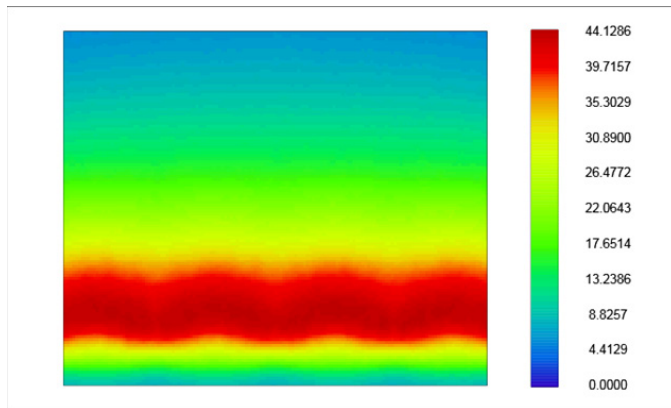
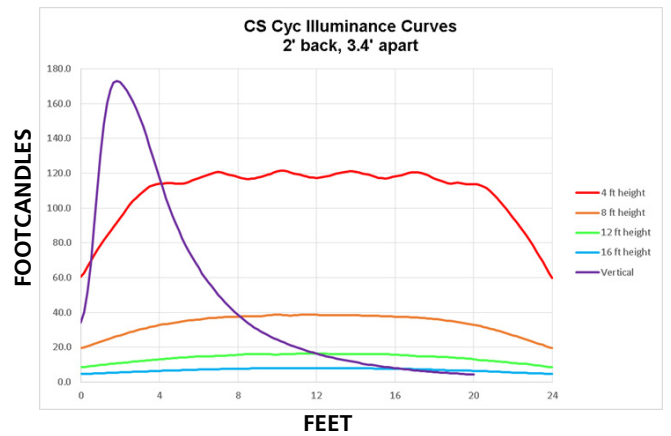
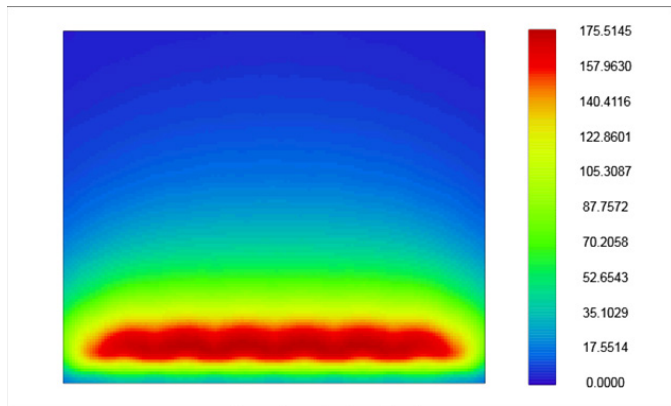
COLOR METRIC INFORMATION

Additional Color Metrics

	CS CYC 3200K	CS CYC 5600K
CRI R _s (R _g)	72 (2)	72 (-42)
TLCI	52	68

PHOTOMETRICS

Numerical values represent footcandles.



ADDITIONAL ORDERING INFORMATION

Accessories

MODEL	DESCRIPTION
400SC	Safety Cable
400CC	C-Clamp
DPA-A	5' powerCon to parallel blade U-ground (Edison) connector
DPA-B	5' powerCon to 20A two-pin and ground (stage-pin) connector
DPA-C	5' powerCon to grounded 20A twistlock connector
DPA-X	5' powerCon to bare-end power input lead
DPJ-5	5' powerCon to powerCon fixture to fixture jumper
DPJ-10	10' powerCon to powerCon fixture to fixture jumper

NOTES ABOUT LED LUMINAIRES

All LED sources experience some lessening of light output and some color shift over time. LED output will vary with thermal conditions. Thermal conditions can be affected by ambient temperatures and orientation. Based on the LED manufacturer's B50 L70 specification, a ColorSource CYC luminaire will achieve ~70% of its initial output after an estimated 50,000 hours of typical usage*. In individual situations, LEDs will be used for different durations and at different levels. This can eventually lead to minor alterations in color performance, necessitating slight adjustments to presets, cues or programs.

*Note: Life tests are currently underway. Results are pending.

PHYSICAL

ColorSource CYC Dimensions

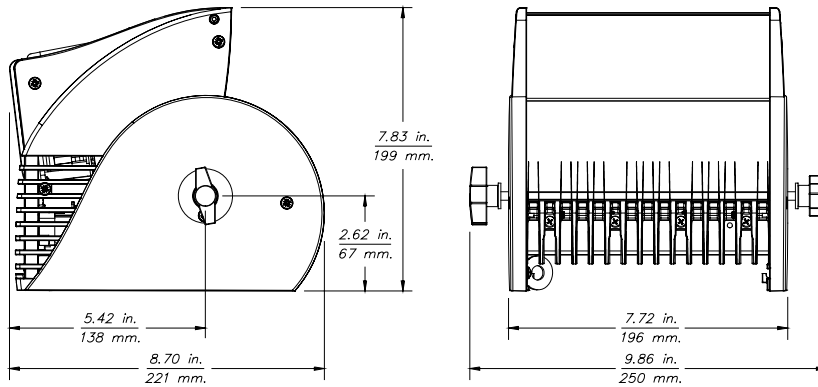
MODEL	HEIGHT		WIDTH		DEPTH	
	inches	mm	inches	mm	inches	mm
ColorSource CYC (Floor)	7.83	199	9.86	250	8.70	221
ColorSource CYC (Hang)	11.97	304	9.86	250	8.70	221

ColorSource CYC Weights

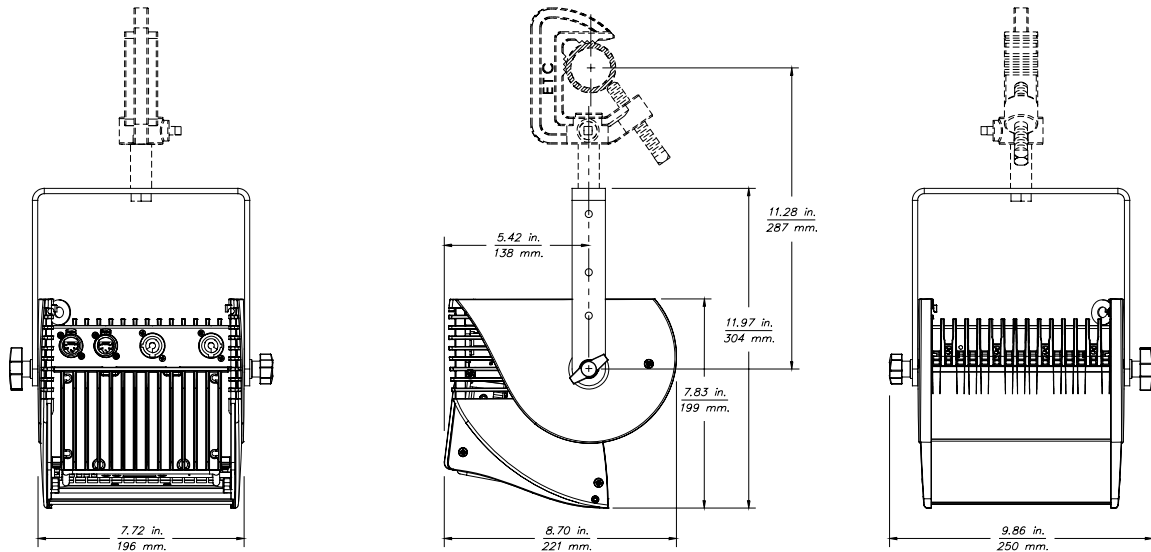
MODEL	WEIGHT*		SHIPPING WEIGHT	
	lbs	kgs	lbs	kgs
ColorSource CYC	10.3	4.67	12.9	5.85

*Without mounting hardware

FLOOR



HANG



Corporate Headquarters • 3031 Pleasant View Rd, PO Box 620979, Middleton WI 53562 0979 USA • +1 608 831 4116

London, UK • Unit 26-28, Victoria Industrial Estate, Victoria Road, London W3 6JU, UK • +44 (0) 20 8896 1000

Rome, IT • Via Pieve Torina, 48, 00156 Rome, Italy • +39 (06) 32 111 683

Holzkirchen, DE • Ohmstrasse 3, 83607 Holzkirchen, Germany • +49 (80 24) 47 00-0

Hong Kong • Room 1801, 18/F, Tower 1 Phase 1, Enterprise Square, 9 Sheung Yuet Road, Kowloon Bay, Kowloon, Hong Kong • +852 2799 1220

Web • etconnect.com • Copyright©2018 ETC. All Rights Reserved. All product information and specifications subject to change. 7415L1001 Rev B 02/18