



Type(s)
Project
Date
Notes

GENERAL INFORMATION

The compact Pro One-Cell luminaire is a single-cell solution that is ideally suited for recessed or surface-mount installations in areas that require short- to medium-throw illumination. With a high grade metal construction, the Pro One-Cell Adjustable delivers the quality performance of the larger multi-cell versions, in a much smaller form factor.

A range of LED drivers are available for the Pro One-Cell luminaires including products from our D1 and D4 series, as well as remote drivers from our F-Drive systems, for more information please review the datasheets for these products.

In conjunction with the driver unit, the luminaire can be dimmed using either a wired-DMX connection or the onboard wireless ArcMesh protocol. Alternatively, a wired-only DMX/RDM version of the D1 driver is available for applications where wireless control and configuration is not required.

ArcSystem has been specifically developed for auditorium lighting applications where high-quality, extremely accurate and smooth dimming is required. The use of onboard device management in the driver allows all fixtures to be addressed remotely, ensuring fast and simple installation.

ORDERING INFORMATION

ArcSystem Pro One-Cell

MODEL	FADE-TO-WARM	COLOR TEMP	BEAM ANGLE	FIXTURE COLOR	MOUNTING
ARCP1	BLANK - Standard F - Fade To Warm (Only available with 2700 K and 3000 K options)	2 - 2700 K 3 - 3000 K 35 - 3500 K 4 - 4000 K 5 - 5000 K	18 - 18° 30 - 30° 50 - 50°	W - White B - Black C - Custom	A - Recess Adjust F - Recessed Fixed Y - Surface Yoke

To complete the form, simply select an option at the bottom of each column to populate the last row with your desired part number.

Color Options: Fixtures ship standard in black or white. For additional colors, please contact ETC.

GENERAL INFORMATION

APPLICATIONS

- Auditoriums
- Work lights
- Lobbies
- Houses of worship
- Retail
- Museums
- Studios

PRODUCT FEATURES

- Wired-DMX or wireless (ArcMesh) control protocols
- Stepless smooth dimming to blackout
- Convection cooled
- Fan-free, silent operation
- Multiple color-temperature and fixture color options



PRODUCT SPECIFICATIONS (PRO ONE-CELL)

Source

LED details	Bridgelux Vero 13 (standard) Vesta 15 (FTW)
Max field lumens	2,300 (5000 K 50°)
Max total lumens	2,459 (5000 K 50°)
Lumens per watt	103 (5000 K 50°)
L70 rating (hours to 70% output)	50,000 hours

Color

Colors used	Fixed white
Color temperature options	2700 K, 3000 K, 3500 K, 4000 K, 5000 K
Fade to warm	Optional on 2700 K and 3000 K

Optical

Beam angle range	15, 30, 50
CRI	>90
TM-30-18 data	Refer to ArcSystem photometry guide
Photometry data	See below or refer to ArcSystem photometry guide

Control (via separate driver)

Input method	DMX-512 via RJ45 connector
Protocols	DMX, ArcMesh wireless, RDM (option)
Modes (footprint)	1-channel
RDM configuration	Yes (with RDM driver option)
UI type	PC config app for ArcMesh option
Local control	No
Notes	RDM control via external RDM controller

Electrical

Voltage range	48 VDC Max (requires separate D1 or D4 driver to operate)
Input method	4-position (2-pole) Molex connector with hard-wired 40 in (1 m) power cord
Inrush (including Driver)	D1 Driver: 20 A at 120 VAC D4 CC Driver: 15 A at all voltages
Wattage (typical / max / standby)	20 W/23.7 W/<1 W
Current draw	0.17 A at 120 V

Thermal

Ambient operating temp	0°–40°C (32°–104°F)
Fan (controllable)	N/A (convection cooled)
BTUs/hour	68

Physical

Materials	Die-cast aluminum and cold-rolled steel
Color options	Black, white or custom color
Mounting options	Recessed spring clips (for 3–24 mm thick ceilings) or yoke
IP rating	IP-20
Weight (adj / fixed / yoke)	1.41 kg (3.1 lb)/1.41 kg (3.1 lb)/ 1.13 kg (2.5 lb)
Included accessories	Yoke (for yoke mount version)
Notes	See accessories list for power cable options

Warranty

Full fixture	5 years
LED array	10 years

Regulatory and Compliance

Approved regulatory standards	Standard version cETLus Listed Conforms to ANSI/UL STD.2108 Certified to CSA STD. C22.2 No: 250 CE Compliant EAC Compliant UKCA Compliant Recessed fixtures additionally conform to ANSI/UL STD. 2043
-------------------------------	--

RECESSED CEILING BRACKET



The optional recessed ceiling bracket can be used to install the Pro One-Cell luminaire and its companion D1 driver into a drop ceiling or for rough-in use. Model number ARCP1RCB.

REMOTE DRIVERS



ArcSystem Pro One-Cell fixtures require an external ArcSystem D1 or D4 driver to operate. See separate datasheet or visit etconnect.com/ArcSystem for additional information.

PHOTOMETRY

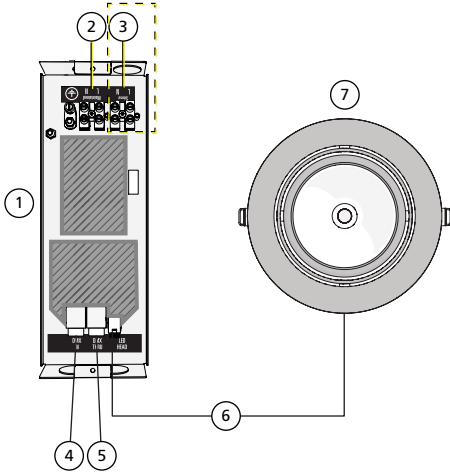
Lumen table

COLOR TEMP	BEAM ANGLE	FIELD ANGLE	FIELD LUMENS	TOTAL LUMENS	MAX CANDELA
3000 K	18°	52.4°	1,224	1,310	10,324
3000 K	30°	70.9°	1,550	1,659	6,403
3000 K	50°	82.7°	1,977	2,116	3,046

IES light files are available on request for all beam angles of ArcSystem.

Full photometry and color information for the ArcSystem family is available in the [ArcSystem Photometry and Color Info Guide](#).

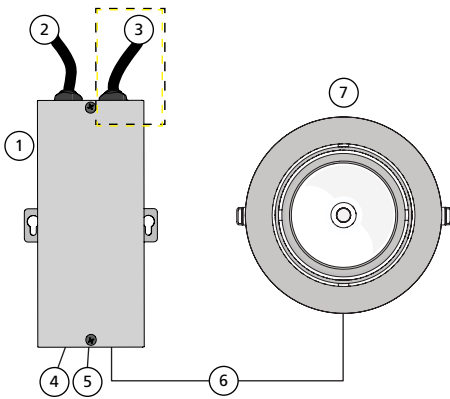
D1 DRIVER WIRING DIAGRAM



	Description	Notes
1	ArcSystem Pro D1 Driver	ARCPD1DM and ARCPD1DRDMM ARCPED1DM and ARCPED1DRDMM (Emergency)
2	Maintained input power	Up to 6 mm ² (10 AWG) line/neutral/ground 100–277 VAC, 50/60 Hz ARCPD1DM/ARCPD1DRDMM: normal branch circuit ARCPED1D/ARCPED1DRDMM: normal/emergency branch circuit from UL1008 automatic transfer switch (ATS) by others
3	Sense input power (emergency models only)	Up to 6 mm ² (10 AWG) line/neutral/ground 100–277 VAC, 50/60 Hz, normal branch circuit (ARCPED1DM/ARCPED1DRDMM only)
4	DMX input from external DMX source	RJ45 connector, Cat5e (or equivalent) 0.2 mm ² (24 AWG) or larger conductors terminated to T568B standard
5	DMX thru to another ArcSystem Pro Driver or other device	RJ45 connector, Cat5e (or equivalent) 0.2 mm ² (24 AWG) or larger conductors terminated to T568B standard
6	Luminaire cable	18 AWG with Molex Mini-Fit connector, provided attached to luminaire. Extension cables are available (see page 3).
7	ArcSystem Pro One-Cell or One-Cell Small luminaire ARCP1 or ARCP1S	

Note: The illustration is not drawn to scale.

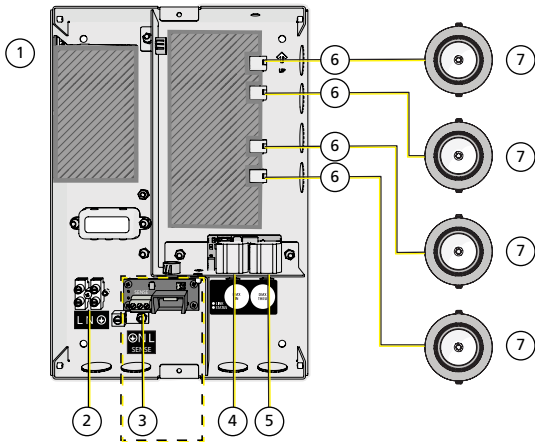
D1 DRIVER QUICK CONNECT WIRING DIAGRAM



	Description	Notes
1	ArcSystem Pro D1 Driver Quick Connect	ARCPD1DC or ARCPD1DRDMC ARCPED1DC or ARCPED1DRDMC (Emergency)
2	Maintained input power	Use the provided cable: 18 AWG line/neutral/ground with a #8 22–18 AWG (0.5–1 mm ²) ring terminal on ground 100–277 VAC, 50/60 Hz ARCPD1DC/ARCPD1DRDMC: normal branch circuit ARCPED1DC/ARCPED1DRDMC: normal/emergency branch circuit from UL1008 automatic transfer switch (ATS) by others
3	Sense input power (emergency models only)	Use the provided cable: 18 AWG line/neutral/ground with a #8 22–18 AWG (0.5–1 mm ²) ring terminal on ground 100–277 VAC, 50/60 Hz, normal branch circuit (ARCPED1DC/ARCPED1DRDMC only)
4	DMX input from external DMX source	RJ45 connector, Cat5e (or equivalent) 0.2 mm ² (24 AWG) or larger conductors terminated to T568B standard
5	DMX thru to another ArcSystem Pro Driver or other device	RJ45 connector, Cat5e (or equivalent) 0.2 mm ² (24 AWG) or larger conductors terminated to T568B standard
6	Luminaire cable	18 AWG with Molex Mini-Fit connector, provided attached to luminaire. Extension cables are available (see page 3).
7	ArcSystem Pro One-Cell or One-Cell Small luminaire ARCP1 or ARCP1S	

Note: The illustration is not drawn to scale.

D4 CC DRIVER WIRING DIAGRAM



	Description	Notes
1	ArcSystem Pro D4 CC Driver	ARCPD4DCCMMW ARCPED4DCCMMW (Emergency)
2	Input power	0.5–10 mm ² (22–6 AWG) line/neutral, 2.5–10 mm ² (14–6 AWG) ground 100–277 VAC, 50/60 Hz ARCPD4DCCMMW: normal branch circuit ARCPED4DCCMMW: normal/emergency branch circuit from UL1008 automatic transfer switch (ATS) by others
3	Sense input power (emergency models only)	0.2–2.5 mm ² (24–14 AWG) line/neutral/ground 100–277 VAC, 50/60 Hz, normal branch circuit (ARCPED4DCCMMW only)
4	DMX input from external DMX source	RJ45 connector, Cat5e (or equivalent) 0.2 mm ² (24 AWG) or larger conductors terminated to T568B standard
5	DMX thru to another ArcSystem Pro Driver or other device	RJ45 connector, Cat5e (or equivalent) 0.2 mm ² (24 AWG) or larger conductors terminated to T568B standard
6	Luminaire cable	18 AWG with Molex Mini-Fit connector, provided attached to luminaire. Extension cables are available (see page 3).
7	ArcSystem Pro One-Cell or One- Cell Small luminaire ARCP1 or ARCP1S	
<p>Note: The illustration is not drawn to scale.</p>		

ACCESSORIES

PART NUMBER	DESCRIPTION
ARCDAHBC1	1 m Extension Cable
ARCDAHBC2	2 m Extension Cable
ARCDAHBC3	3 m Extension Cable
ARCDAHBC5	5 m Extension Cable
ARCDAHBC10	10 m Extension Cable
ARCP1RCB	ArcSystem Pro One-Cell Recessed Ceiling Bracket

Extension cables to be used between the ARCMD1D driver and the Pro One-Cell luminaire.

PHYSICAL

Pro One-Cell Dimensions

MODEL	HEIGHT		WIDTH		DEPTH	
	in	mm	in	mm	in	mm
Adjustable*	6.14	156	7.77	197	6.14	156
Fixed*	7.75	197	7.75	197	6.26	159
Yoke	6.65	169	5.37	136	5.37	136

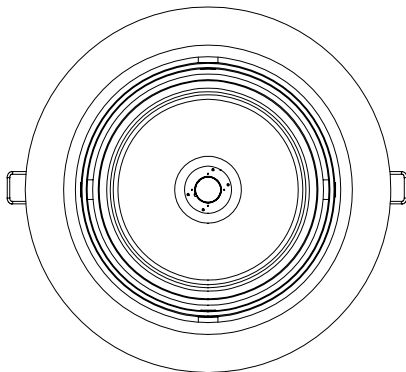
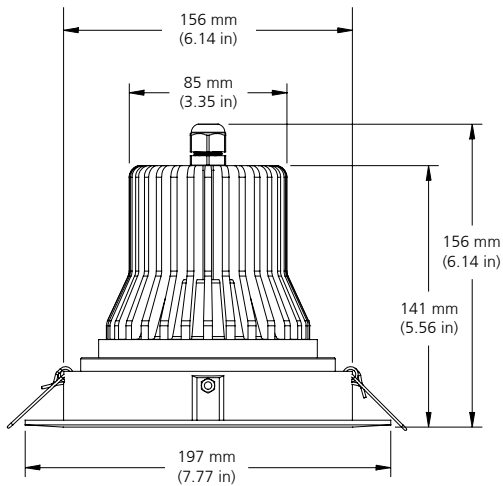
*Recommend hole cut-out: 165 mm / 6.5 in

Pro One-Cell Weights

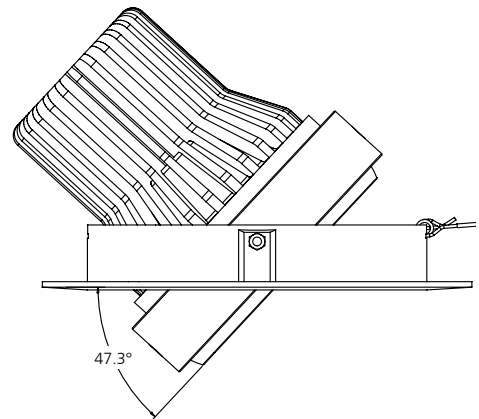
MODEL	WEIGHT*		SHIPPING WEIGHT	
	lb	kg	lb	kg
Adjustable	3.1	1.41	3.5	1.60
Fixed	3.1	1.41	3.5	1.60
Yoke	2.50	1.13	3.0	1.36

*Does not include mounting hardware

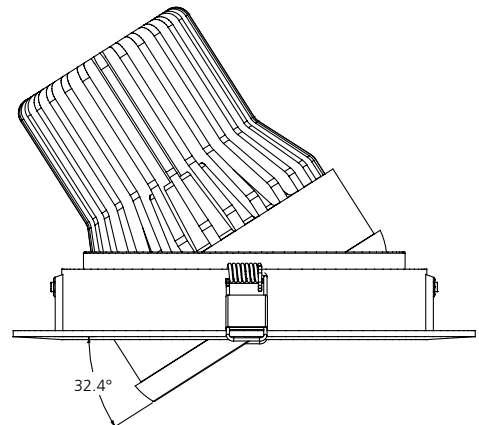
PRO ONE-CELL ADJUSTABLE



MAXIMUM TILT ANGLE: OUTER RING

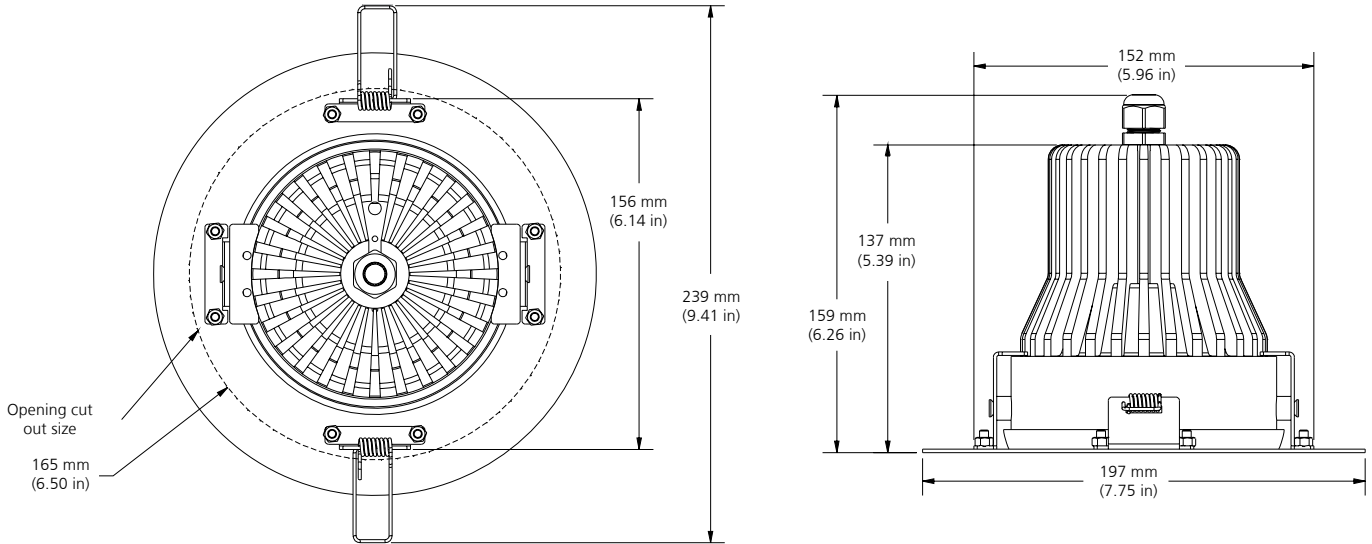


MAXIMUM TILT ANGLE: INNER RING

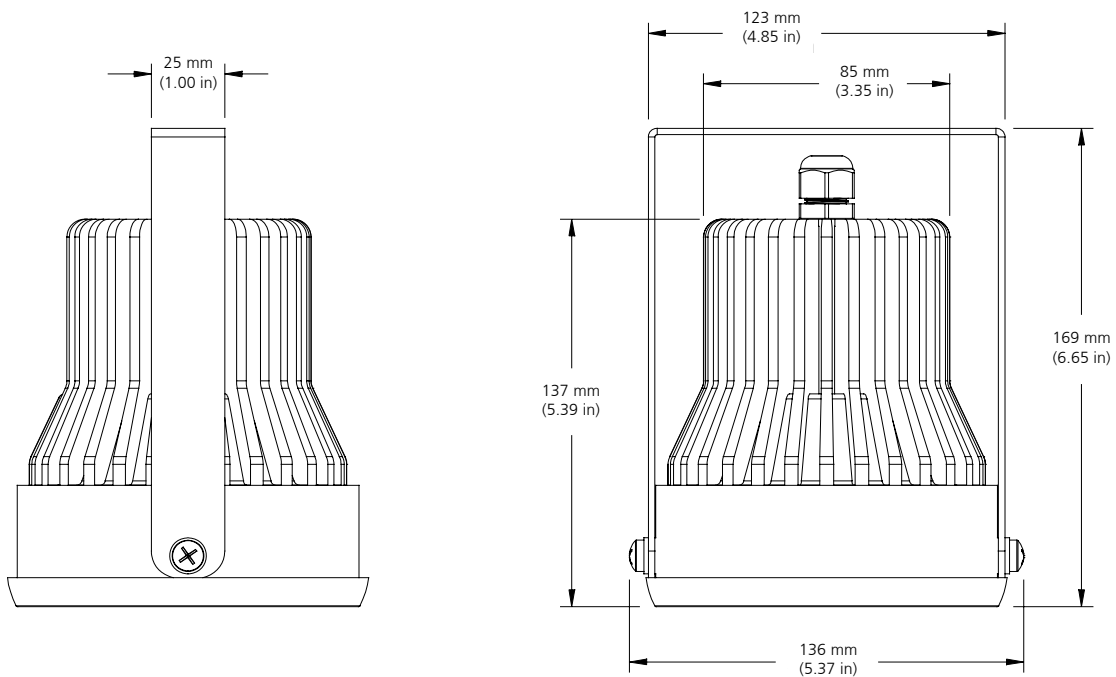


PHYSICAL

PRO ONE-CELL FIXED



PRO ONE-CELL YOKE



Corporate Headquarters • Middleton, WI USA

Global Offices • London, UK • Rome, IT • Holzkirchen, DE • Paris, FR • Hong Kong
Dubai, UAE • Singapore • New York, NY • Orlando, FL • Los Angeles, CA • Austin, TX

Copyright©2021 ETC. All Rights Reserved. All product information and specifications subject to change. Rev H 2021-07

*Trademark and patent info: etconnect.com/IE

etconnect.com