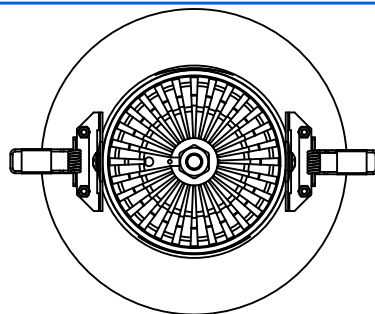
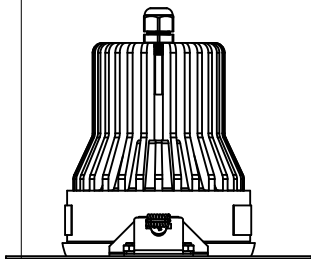


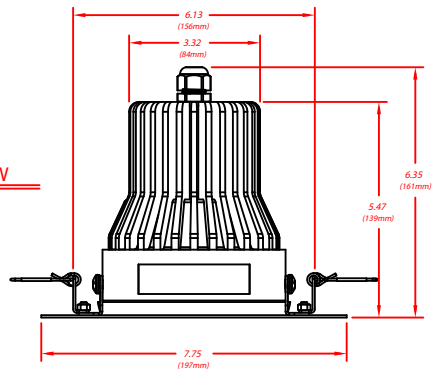
TOP VIEW



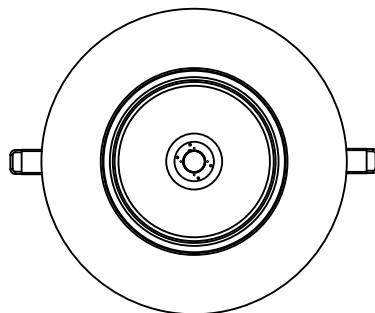
SIDE VIEW



FRONT VIEW



BOTTOM VIEW



ITEM	QTY.	DESCRIPTION	PARTS LIST	DESIGNATION	PART NUMBER
A	1	ARCYSYS 1-CELL RECESSED-FIXED 2700K/18"	BLK		7491A1201

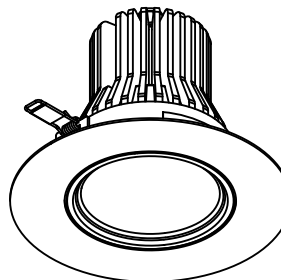
NOTES:

- 1.) LUMINAIRE IS CONSTRUCTED OF CAST ALUMINUM AND IS FINISHED IN A FINBEREASURED POWDER COAT.
- 2.) LUMINAIRE MEETS OR EXCEEDS REQUIREMENTS FOR EACH OF THE FOLLOWING MARKINGS:



ISOMETRIC VIEW

(3/4 SCALE)



ETC, Inc.

3031 Pleasant View Rd
 PO Box 620979
 Middleton WI 53562-0979
 Tel +1 608 831 4116
 Toll Free +1 800 688 4116
 Fax +1 608 836 1736
etcconnect.com

UNLESS OTHERWISE SPECIFIED ALL DIMENSIONS ARE IN INCHES.

ORIGINAL FILE: ARCYSYS-PRO-1-FIXED.DWG

CONTRACT WITH:

REPRESENTATIVE:

PROJECT MANAGER:

APPLICATIONS ENGINEER:

DRAWING TITLE:
 ARCYSYS-PRO ONE-CELL
 FIXED LUMINAIRE

PHYSICAL

BY	DATE	REV

JOB: LOCATION:

JOB NUMBER:

DRAWING: