

KL FRESNEL 8™



KL FRESNEL 8™ is a 350W 3,000K >96CRI Warm White LED fresnel, producing over 14,000 total lumen output, on par with compatible tungsten halogen models. Features include manual and DMX control, 11° to 57° wide manual zoom, manual and DMX controlled dimmer, shutter, and zoom, dimmer and zoom rotary dials, smooth 16-bit selectable dimming curve modes, LED refresh rate frequency and gamma brightness adjustment for flicker free operation for TV and FILM, removable barn doors (included), RDM (remote device management) protocol support, 3/5pin DMX and powerCON in/out connections, 4 button control panel, LCD menu display, multiple unit power linking, a universal auto switching power supply (100-240v), gel frame and rotating barn doors (included), and a 3 clamp position adjustable mounting yoke.

FEATURES

- 350W 3,000K >96CRI Warm White LED Engine**
- 14,000+ Total Lumen Output**
- Output On Par with Tungsten Halogen Models**
- 11° to 57° Wide Manual Zoom**
- Manual and DMX Controlled Dimmer and Shutter**
- Dimmer and Zoom Rotary Dials**
- Smooth 16-bit Selectable Dimming Curve Modes**
- LED Refresh Rate and Gamma Brightness Adjustment**
- Flicker Free Operation for TV and FILM**
- RDM (Remote Device Management)**
- Gel Frame and Rotating Barn Doors (included)**
- 3 Clamp Position Adjustable Mounting Yoke**



PRODUCT SPECIFICATIONS

SOURCE

350W >95CRI 3,000K Cool White LED
50,000 Hour Average LED Life*

*LED Life may vary depending on several factors including but not limited to:
Environmental Conditions, Power/Voltage, Usage Patterns (On-Off Cycling), Control and Dimming.

PHOTOMETRIC DATA

43,673 LUX 4,057 FC @6.6' (2m) (Min Zoom / Full ON)
4,169 LUX 387 FC @6.6' (2m) (Max Zoom / Full ON)

EFFECTS

11° - 57° Wide Motorized Zoom
Electronic Strobe
Variable 16-bit Dimming Curve Modes

COLOR

Warm White 3,000K

CONTROL / CONNECTIONS

Manual and DMX Controlled Dimmer, Shutter, and Zoom
Dimmer and Zoom Rotary Dials
(4) DMX Channel Modes (1 / 2 / 3 / 4)
4 Button Control Panel LCD Menu Display
RDM (Remote Device Management)
3/5pin DMX and powerCON TRUE1 In/Out

SIZE / WEIGHT

Length: 23.95" (608.4mm)
Width: 12.89" (327.5mm)
Vertical Height: 17.95" (456mm)
Weight: 18.5 lbs. (8.4kg)

ELECTRICAL / THERMAL

AC 100-240V - 50/60Hz
430W Max Power Consumption
Multiple Unit Power Linking
5°F to 113°F (-15°C to 45°C)

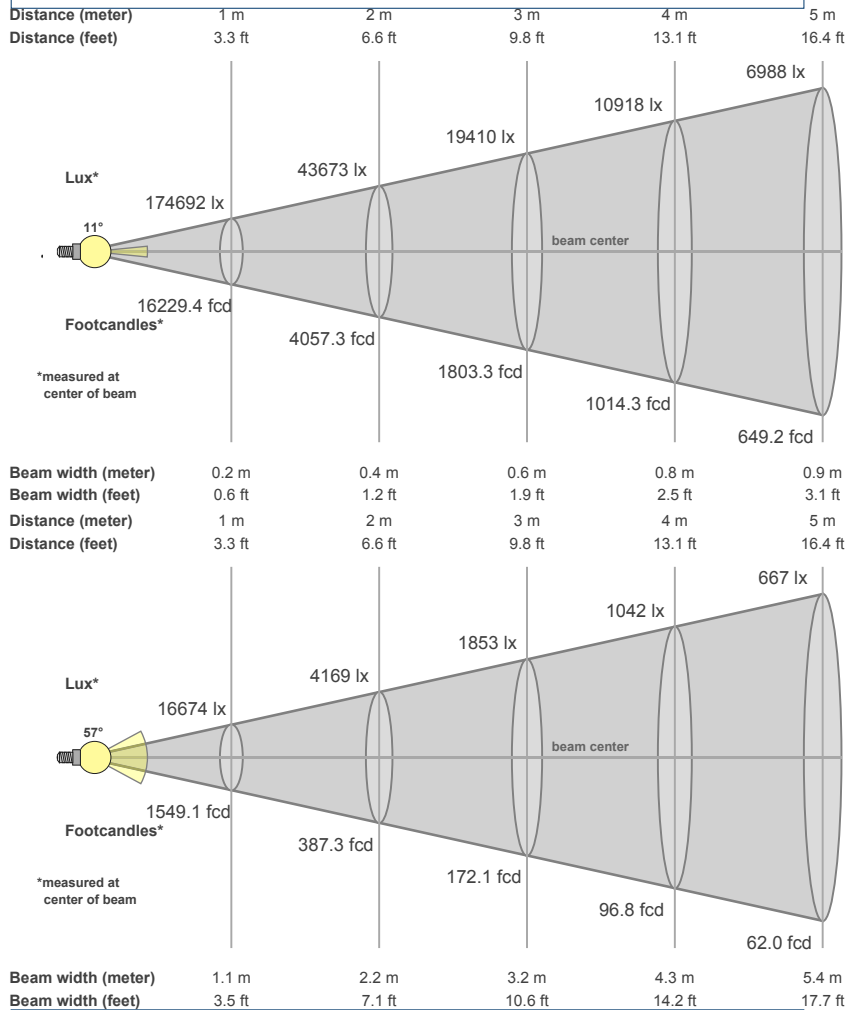
INCLUDED ITEMS

Gel Frame and Rotating Barn Doors
powerCON TRUE1 Power Cable
Barn Doors and Fixture Safety Cables

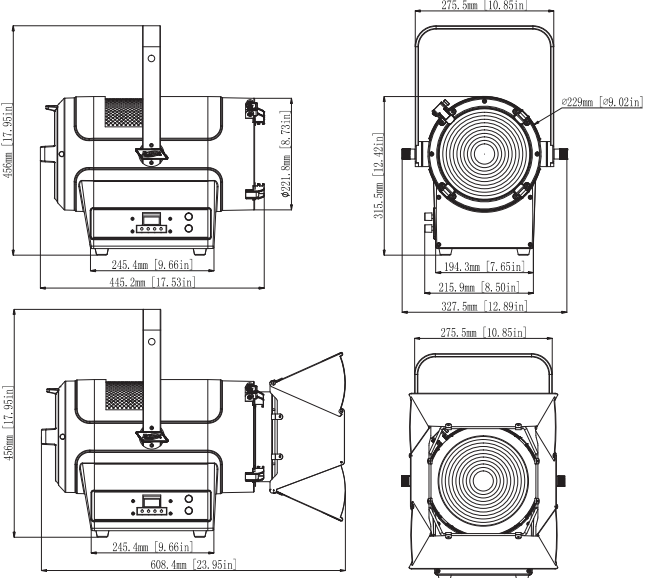
APPROVALS / RATINGS



PHOTOMETRIC DATA



DIMENSIONAL DIAGRAMS



ORDERING INFORMATION

KLF023	KL FRESNEL 8
TRIGGER CLAMP	Heavy Duty Wrap Around Hook Style Clamp
AC5PDMX5PRO	5 ft. (1.5m) 5pin PRO DMX Cable (Additional cable lengths available)
PLC3	3 ft. (1m) PowerCON Power Link Cable

Specifications subject to change without notice ©Elation Professional 11/29/18

