

FUZE SPOT



The **FUZE SPOT™** is an automated LED spot fixture designed for theater, television and a wide array of other precision lighting applications. The 92 CRI engine utilizes a 5-color homogenized LED array consisting of Red, Green, Blue, Mint, and Amber sources. The carefully tuned LEDs ensures accurate color reproduction while delivering a powerful output of over 10,000 lumens. Virtual color temperature, Magenta / Green adjustment plus CMY emulation provide the designer with immediate access to the impressive LED color array.

The **FUZE SPOT** is designed for any application where an automated ellipsoidal fixture with outstanding and impactful color range and quality is required. Dual rotating gobo wheels, animation wheel, frost, prism and iris round out its comprehensive feature set in a compact, quiet and lightweight fixture.

FEATURES

305W 6,500K 92CRI RGBMA LED Engine

10,000+ Total Lumen Fixture Output

7° to 42° Wide Zoom Range

Extended RGBMA Color Array and CMY Emulation

Virtual Color Correction and Gel Swatch Book

2 Gobo Wheels

Rotating / Indexing Interchangeable Glass Gobos

Animation Wheel

Variable Frost Filter, Motorized Iris, 4-Facet Prism

DMX Adjustable LED Refresh Rate Frequency

Hibernation Mode (Power Save)

Attachable 2-inch Snoot Included



Shown with included Snoot

Specifications subject to change without notice ©Elation Professional 08/27/19

Elation Professional USA | 6122 S. Eastern Ave. | Los Angeles, CA. 90040
323-582-3322 | 323-832-9142 fax | www.elationlighting.com | info@elationlighting.com

Elation Professional B.V. | Junostraat 2 | 6468 EW Kerkrade, The Netherlands
+31 45 546 85 66 | +31 45 546 85 96 fax | www.elationlighting.eu | info@elationlighting.eu

SPECIFICATIONS

SOURCE

305W 6,500K RGBMA LED Engine
30,000 Hour Average LED Life*

*Test lab conditions. May vary depending on several factors including but not limited to:
Environmental Conditions, Power/Voltage, Usage Patterns (On-Off Cycling), Control, Dimming, and Lamp Mode.

PHOTOMETRIC DATA

10,000+ Total Lumen Output
CRI 92

EFFECTS

Motorized Zoom (7° - 42°)
Variable Frost Filter
Motorized Iris
4-Facet Prism
Variable 16-bit Dimming Curve Modes
High Speed Electronic Shutter and Strobe
DMX Controllable LED Refresh Rate Frequency

COLOR

Extended RGBMA Color Aray
CMY Emulation
Virtual Color Correction (2,400K - 8,500K)
Green/Magenta Shift
Virtual Gel Swatch Book

GOBOS

2 Gobo Wheels
12 Rotating / Indexing Interchangeable Glass Gobos
Animation Wheel

CONTROL / CONNECTIONS

4 DMX Channel Modes (RGBMA 31 / 41) (CMY 29 / 37)
16-bit Pan, Tilt and Dimming Control
Motorized Focus
DMX, RDM Protocol Support
4 Button / Touch Screen Control Panel
Full Color 180° Reversible LCD Menu Display
16-bit Resolution Adjustable Movement
Hibernation Mode (Power Save)
5pin XLR DMX In/Out
Neutrik powerCON TRUE1 Power In/Out
USB Connection (Firmware Updates)

SIZE / WEIGHT

Length: 16.0" (408mm)
Width: 20.04" (518.2mm)
Height: 27.48" (698mm)
Weight: 54.0 lbs (24.5 kg)

ELECTRICAL / THERMAL

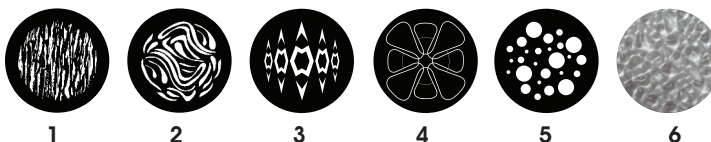
AC 100-240V - 50/60Hz
466 Max Power Consumption
14°F to 113°F (-10°C to 45°C)

APPROVALS / RATINGS

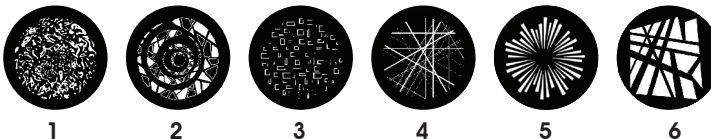


GOBOS | ANIMATION

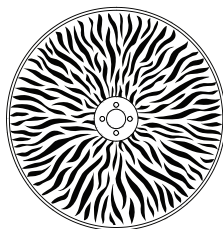
INTERCHANGEABLE-ROTATING GLASS GOBO WHEEL 1



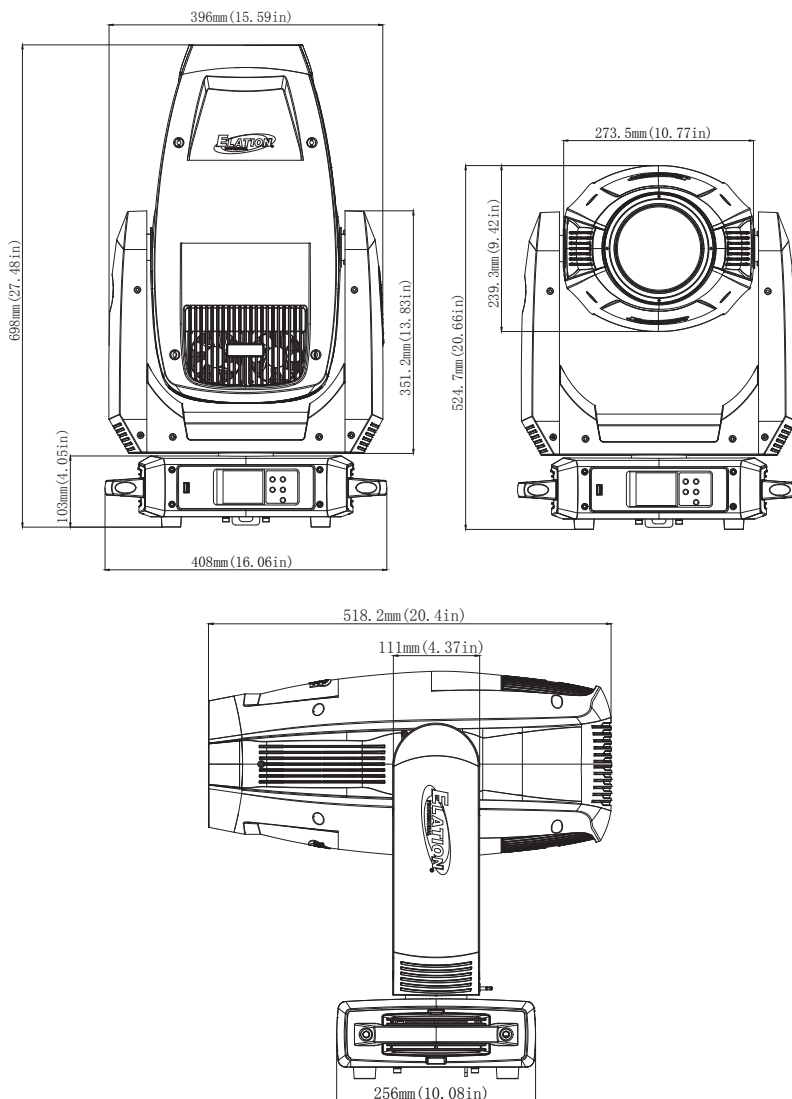
INTERCHANGEABLE-ROTATING GLASS GOBO WHEEL 2



ANIMATION WHEEL



DIMENSIONAL DRAWINGS



ORDERING INFORMATION

FUZE296

FUZE SPOT



Specifications subject to change without notice ©Elation Professional 08/27/19

Elation Professional USA | 6122 S. Eastern Ave. | Los Angeles, CA, 90040
323-582-3322 | 323-832-9142 fax | www.elationlighting.com | info@elationlighting.com

Elation Professional B.V. | Junostraat 2 | 6468 EW Kerkrade, The Netherlands
+31 45 546 85 66 | +31 45 546 85 96 fax | www.elationlighting.eu | info@elationlighting.eu