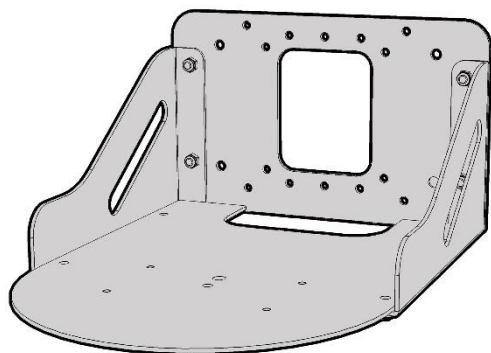


datavideo



**PROFESSIONAL
WALL MOUNT FOR
PTC VIDEO CAMERA**

WM- 1

Instruction Manual

www.datavideo.com

Table of Contents

Table of Contents	1
FCC Compliance Statement	1
Warnings and Precautions	2
Warranty	3
Standard Warranty	3
Three Year Warranty.....	4
Disposal	4
WM-1 Wall Mount Kit for Datavideo HD/SD PTZ Camera Series	6
Introduction.....	6
Assembly Steps of the WM-1	6
How to install Datavideo PTC-150 to WM-1	8
What’s in the Box: WM-1	10
Weight.....	10
Dimensions.....	11
Service and Support.....	15

Disclaimer of Product & Services

The information offered in this instruction manual is intended as a guide only. At all times, Datavideo Technologies will try to give correct, complete and suitable information. However, Datavideo Technologies cannot exclude that some information in this manual, from time to time, may not be correct or may be incomplete. This manual may contain typing errors, omissions or incorrect information. Datavideo Technologies always recommend that you double check the information in this document for accuracy before making any purchase decision or using the product. Datavideo Technologies is not responsible for any omissions or errors, or for any subsequent loss or damage caused by using the information contained within this manual. Further advice on the content of this manual or on the product can be obtained by contacting your local Datavideo Office or dealer.

FCC Compliance Statement

This device complies with part 15 of the FCC rules. Operation is subject to the following two conditions:

- (1) This device may not cause harmful interference, and
- (2) This device must accept any interference received, including interference that may cause undesired operation.

Warnings and Precautions



1. Read all of these warnings and save them for later reference.
2. Follow all warnings and instructions marked on this unit.
3. Unplug this unit from the wall outlet before cleaning. Do not use liquid or aerosol cleaners. Use a damp cloth for cleaning.
4. Do not use this unit in or near water.
5. Do not place this unit on an unstable cart, stand, or table. The unit may fall, causing serious damage.
6. Slots and openings on the cabinet top, back, and bottom are provided for ventilation. To ensure safe and reliable operation of this unit, and to protect it from overheating, do not block or cover these openings. Do not place this unit on a bed, sofa, rug, or similar surface, as the ventilation openings on the bottom of the cabinet will be blocked. This unit should never be placed near or over a heat register or radiator. This unit should not be placed in a built-in installation unless proper ventilation is provided.
7. This product should only be operated from the type of power source indicated on the marking label of the AC adapter. If you are not sure of the type of power available, consult your Datavideo dealer or your local power company.
8. Do not allow anything to rest on the power cord. Do not locate this unit where the power cord will be walked on, rolled over, or otherwise stressed.
9. If an extension cord must be used with this unit, make sure that the total of the ampere ratings on the products plugged into the extension cord do not exceed the extension cord rating.
10. Make sure that the total amperes of all the units that are plugged into a single wall outlet do not exceed 15 amperes.

11. Never push objects of any kind into this unit through the cabinet ventilation slots, as they may touch dangerous voltage points or short out parts that could result in risk of fire or electric shock. Never spill liquid of any kind onto or into this unit.
12. Except as specifically explained elsewhere in this manual, do not attempt to service this product yourself. Opening or removing covers that are marked “Do Not Remove” may expose you to dangerous voltage points or other risks, and will void your warranty. Refer all service issues to qualified service personnel.
13. Unplug this product from the wall outlet and refer to qualified service personnel under the following conditions:
 - a. When the power cord is damaged or frayed;
 - b. When liquid has spilled into the unit;
 - c. When the product has been exposed to rain or water;
 - d. When the product does not operate normally under normal operating conditions. Adjust only those controls that are covered by the operating instructions in this manual; improper adjustment of other controls may result in damage to the unit and may often require extensive work by a qualified technician to restore the unit to normal operation;
 - e. When the product has been dropped or the cabinet has been damaged;
 - f. When the product exhibits a distinct change in performance, indicating a need for service.

Warranty

Standard Warranty

- Datavideo equipment are guaranteed against any manufacturing defects for one year from the date of purchase.
- The original purchase invoice or other documentary evidence should be supplied at the time of any request for repair under warranty.
- The product warranty period begins on the purchase date. If the purchase date is unknown, the product warranty period begins on the thirtieth day after shipment from a Datavideo office.

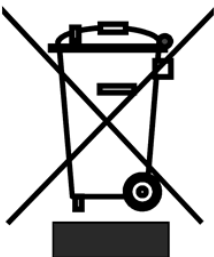
- All non-Datavideo manufactured products (product without Datavideo logo) have only one year warranty from the date of purchase.
- Damage caused by accident, misuse, unauthorized repairs, sand, grit or water is not covered under warranty.
- Viruses and malware infections on the computer systems are not covered under warranty.
- Any errors that are caused by unauthorized third-party software installations, which are not required by our computer systems, are not covered under warranty.
- All mail or transportation costs including insurance are at the expense of the owner.
- All other claims of any nature are not covered.
- All accessories including headphones, cables, and batteries are not covered under warranty.
- Warranty only valid in the country or region of purchase.
- Your statutory rights are not affected.

Three Year Warranty

- All Datavideo products purchased after July 1st, 2017 are qualified for a free two years extension to the standard warranty, providing the product is registered with Datavideo within 30 days of purchase.
- Certain parts with limited lifetime expectancy such as LCD panels, DVD drives, Hard Drive, Solid State Drive, SD Card, USB Thumb Drive, Lighting, Camera module, PCIe Card are covered for 1 year.
- The three-year warranty must be registered on Datavideo's official website or with your local Datavideo office or one of its authorized distributors within 30 days of purchase.



Disposal



For EU Customers only - WEEE Marking

This symbol on the product or on its packaging indicates that this product must not be disposed of with your other household waste. Instead, it is your responsibility to dispose of your waste equipment by handing it over to a designated collection point for the recycling of waste electrical and electronic equipment. The separate collection and recycling of your waste equipment at the time of disposal will help to

conserve natural resources and ensure that it is recycled in a manner that protects human health and the environment. For more information about where you can drop off your waste equipment for recycling, please contact your local city office, your household waste disposal service or the shop where you purchased the product.



CE Marking is the symbol as shown on the left of this page. The letters "CE" are the abbreviation of French phrase "Conformité Européene" which literally means "European Conformity". The term initially used was "EC Mark" and it was officially replaced by "CE Marking" in the Directive 93/68/EEC in 1993. "CE Marking" is

now used in all EU official documents.

WM-1 Wall Mount Kit for Datavideo HD/SD PTZ Camera Series

Introduction

The WM-1 is a wall mount kit which is designed for Datavideo HD/SD PTZ Camera series including PTC-150/PTC-150T/PTC-200/PTC-200T. Please follow following steps for assembling the WM-1 wall mount. This user manual takes PTC-150 as an example.

Assembly Steps of the WM-1

Please follow following steps for assembling the WM-1.

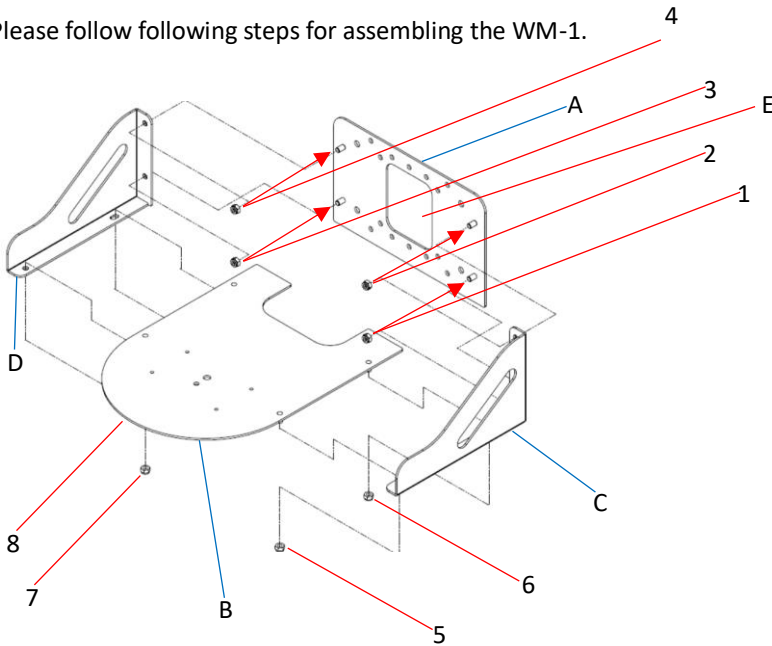


Figure 1. WM-1 Assembly

Please note that the screws of the WM-1 are attached to the iron plates/accessories in advance as shown as diagram above. Please read safety notes prior to installation.

Step 1. Please mount the bracket (A) to wall.

Step 2. Please attach the right side plate C to the bracket's two mounted screws on the right side as shown as diagram above.

Step 3. Please attach the left side plate D to the bracket's two mounted screws on the left side as shown as diagram above.

Step 4. Please fix 4 bundled nylon nuts M5 in the order of 1, 2, 3 and 4 to assemble the left side and the right side plates to the bracket.

Step 5. Please place the bottom plate B from the top side on the center of the left side and right side racks and then place the four pre-mounted screws which are below the bottom plate into four screw holes on the side plate C and the side plate D (two screw holes for the side plate C, two screw holes for the side plate D).

Step 6. Please fix 4 bundled nylon nuts M5 in the order of 5, 6, 7 and 8 to the four pre-mounted screws which are under the bottom plate to secure the bottom plate with the side plates.

How to install Datavideo PTC-150 to WM-1

Please follow following steps to install the PTC-150 to WM-1.

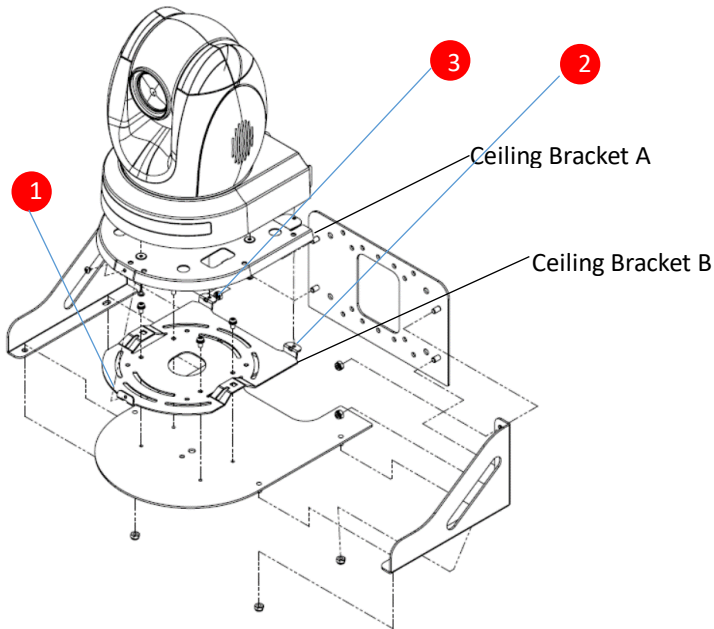


Figure 2. Install the PTC-150 to WM-1

Step 1. Please install the ceiling bracket A to the base of the PTC-150 as shown as the diagram above.

Step 2. Secure the PTC-150 to the ceiling bracket A by screwing 3 screws as shown as following diagrams. Please pay attention that the 3 screws must be screwed at the same screw holes as the No. 3 as shown as follows.

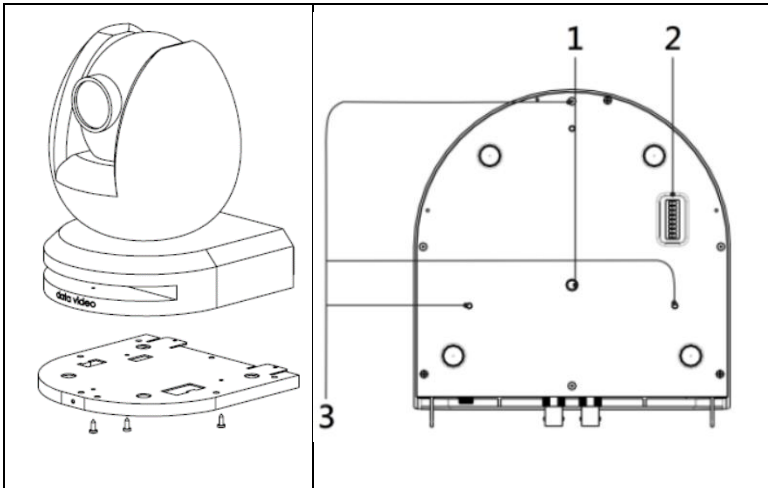


Figure 3. Screw 3 screws to ceiling Bracket A

Step 3. Mount the PTC-150 to the ceiling bracket B as shown as the Figure 2.

Step 4. After the PTC-150 is mounted, please screw 3 screws into the three screw holes in the order of 1, 2, and 3 to secure the PTC-150 to WM-1.

Step 5. After the PTC-150 is mounted, connect cables through the rectangular hole on the bracket A as shown as Figure 1. After that, the whole installation procedure of the WM-1 is completed.

SAFETY NOTES

- Before beginning the installation, it is very important to examine the unit for damage, defects and correct hardware.
- The installation instructions must be read and entirely understood prior to install.
- It must be determined that the mounting surface is capable of supporting the mount and equipment.
- The professional installer must determine the proper way to attach the WALL BRACKET MODEL XXXX
- The installation of the mount and equipment is dependent on proper/secure attachment and is the responsibility of the installer.
- Make sure wall will support 4 times the combined weight of Equipment and Wall Mount.
- This mount should be attached to wood studs only. Under no circumstances should this product be

mounted to metal studs, unless an installation professional deems they have been adequately reinforced and will support 4 times the combined weight of Equipment and Wall Mount.

- Please use only the bolts supplied with the unit or bolts of the correct size, making sure the hardware used is tightened properly for a secure installation.
- The WALL BRACKET MODEL is only intended to be used with the equipment listed on the install sheet. It is not meant to be used with any other equipment.
- If at anytime, a question arises regarding this installation (or regarding the safety or integrity of the projected use), please cease the installation and either obtain the advice of another qualified installer or contact FEC.

What's in the Box: WM-1

Please see following table for the accessories in the box of the WM-1. The WM-1 is a robust wall mount kit for the PTC-150, PTC-150T, PTC-200, and PTC-200T PTZ video cameras. The WM-1 is also available in white.

WM-1 What's in the Box		
No.	Item	Quantity
1	WM-1 Main Unit	1
2	Nylon Nuts M5	8
3	Installation Guide	1

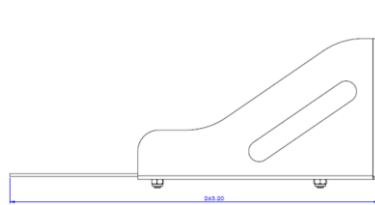
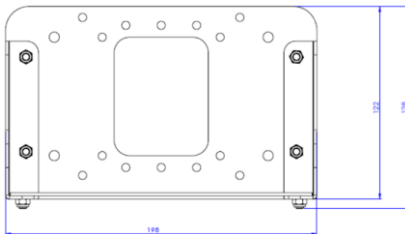
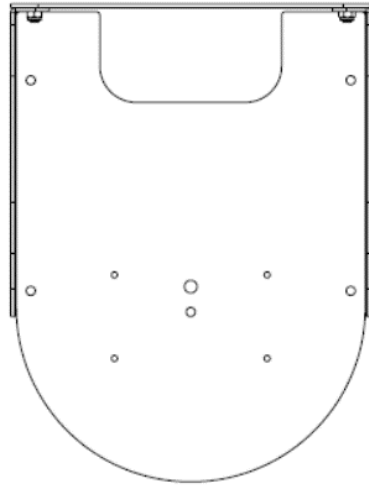
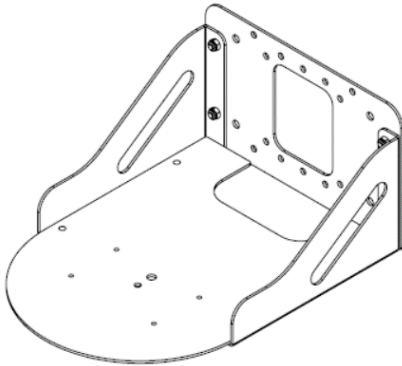
Weight

Weight of the WM-1
1.37Kg = 3.02 lb

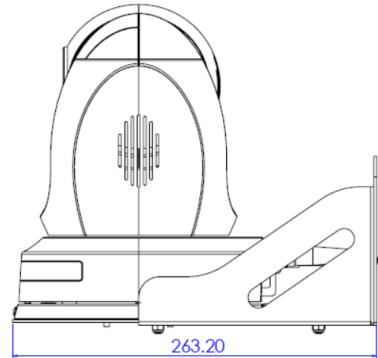
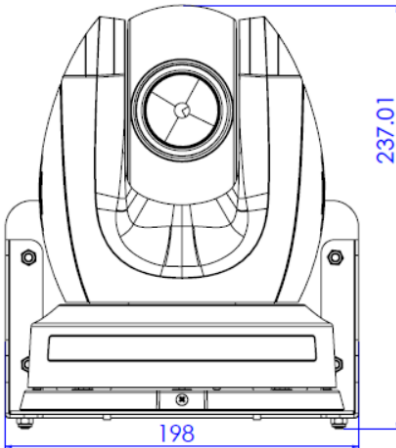
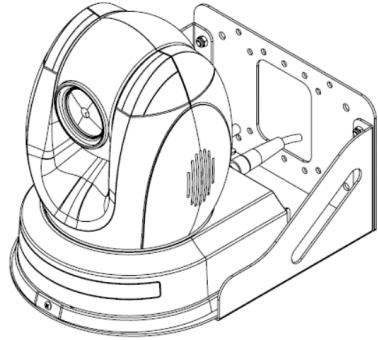
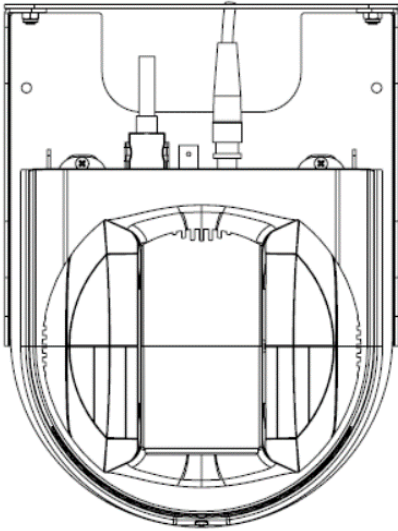
* Please note that the WM-1 wall mount kit can be applied to the PTC-150, PTC 150T, PTC-200 and PTC-200T. This manual takes the PTC-150 as an example to show how it can be installed to WM-1.

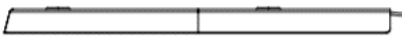
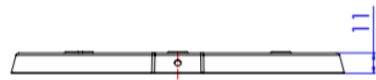
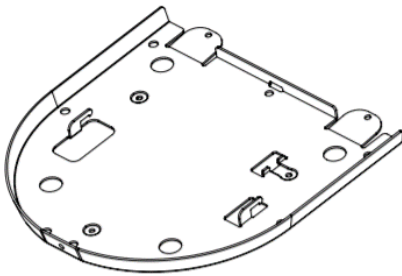
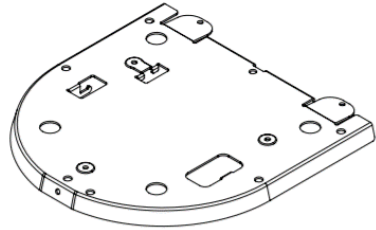
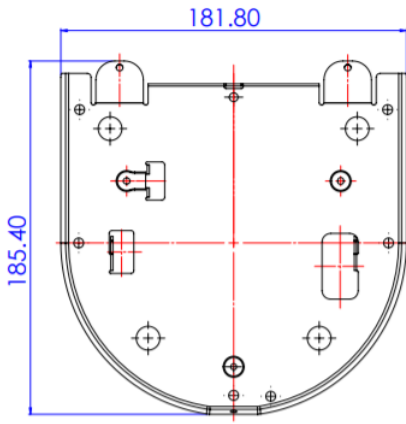
Dimensions

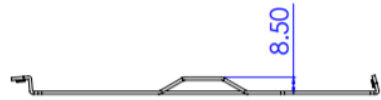
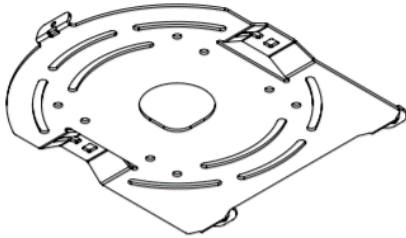
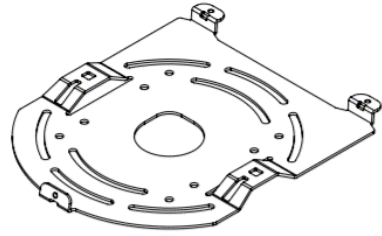
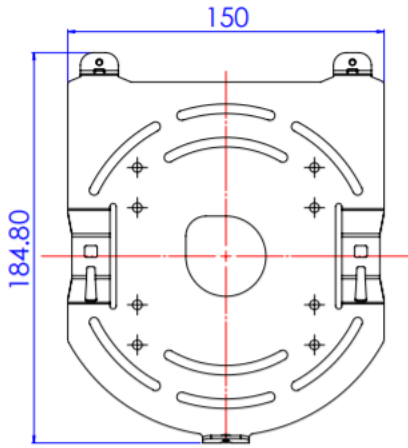
Unit: mm



Unit: mm







Service & Support

It is our goal to make your products ownership a satisfying experience. Our supporting staff is available to assist you in setting up and operating your system. Please refer to our web site www.datavideo.com for answers to common questions, support requests or contact your local office below.

China Shanghai
DataVideo Technologies China Co
601, Building 10 No. 1228,
Rd. Jiangchang,
Jingan District, Shanghai
Tel: +86 21-5603 6599
Fax: +86 21-5603 6770
E-mail: service@datavideo.cn

China Beijing
DataVideo Technologies China Co
No. 812, Building B, Wankai Center,
No.316, Wan Feng Road, Fengtai District,
Beijing, China
Tel: +86 10-8586 9034
Fax: +86 10-8586 9074
E-mail: service@datavideo.cn

China Chengdu
DataVideo Technologies China Co
B-323, Meiliant Square, No. 1385,
Middle of Tianfu Avenue, Gaoxin District,
Chengdu, Sichuan
Tel: +86 28-8613 7786
Fax: +86 28-8513 6486
E-mail: service@datavideo.cn

China Fuzhou
DataVideo Technologies China Co
A1-2318-19 Room, No. 8, Aojiang Road,
Tajiang District, Fuzhou, Fujian, China
Tel: 0591-83211756 · 0591-83210187
Fax: 0591-93211262
E-mail: service@datavideo.cn

China Jinan
DataVideo Technologies China Co
902, No. 1 business building,
Xiangtai Square, No. 129,
Yingxiongshan Road, Shizhong District,
Jinan City, Shandong Province, China
Tel: +86 531-8607 8813
E-mail: service@datavideo.cn

Hong Kong
DataVideo Hong Kong Ltd
G/F, 26 Cross Lane
Wanchai, Hong Kong
Tel: +852-2833-1981
Fax: +852-2833-9916
E-mail: info@datavideo.com.hk

India Noida
DataVideo India Noida
A-132, Sec-63, Noida-201307,
India
Tel: +91-0120-2427337
Fax: +91-0120-2427338
E-mail: sales@datavideo.in

India Kochi
DataVideo India Kochi
2nd Floor- North Wing, Govardhan Building,
Opp. NCC Group Headquarters, Chittoor Road,
Cochin- 682035
Tel: +91 4844-025336
Fax: +91 4844-047696
E-mail: sales@datavideo.in

Netherlands
DataVideo Technologies Europe BV
Floridadreef 106
3565 AM Utrecht,
The Netherlands
Tel: +31-30-261-96-66
Fax: +31-30-261-96-67
E-mail: info@datavideo.nl

Singapore
DataVideo Visual Technology(S) Pte Ltd
No. 178 Paya Lebar Road #06-07
Singapore 409030
Tel: +65-6749 6866
Fax: +65-6749 3266
E-mail: info@datavideovirtualset.com

Singapore
DataVideo Technologies (S) PTE Ltd
No. 178 Paya Lebar Road #06-03
Singapore 409030
Tel: +65-6749 6866
Fax: +65-6749 3266
E-mail: sales@datavideo.sg

Taiwan
DataVideo Technologies Co. Ltd
10F, No. 176, Jian 1st Rd., Chung Ho
District, New Taipei City 235, Taiwan
Tel: +886-2-8227-2888
Fax: +886-2-8227-2777
E-mail: service@datavideo.com.tw

United States
DataVideo Corporation
7048 Elmer Avenue,
Whittier, CA 90602,
U.S.A.
Tel: +1-562-696 2324
Fax: +1-562-698 6930
E-mail: sales@datavideo.com

France
DataVideo France s.a.r.l.
Cite Descartes 1, rue Albert Einstein
Champs sur Marne 774477 –
Marne la Vallée cedex 2
Tel: +33-1-60370246
Fax: +33-1-60376732
E-mail: info@datavideo.fr



Please visit our website for latest manual update.
www.datavideo.com/product/WM-1

datavideo

www.datavideo.com

All the trademarks are the properties of their respective owners.
DataVideo Technologies Co., Ltd. All rights reserved 2018