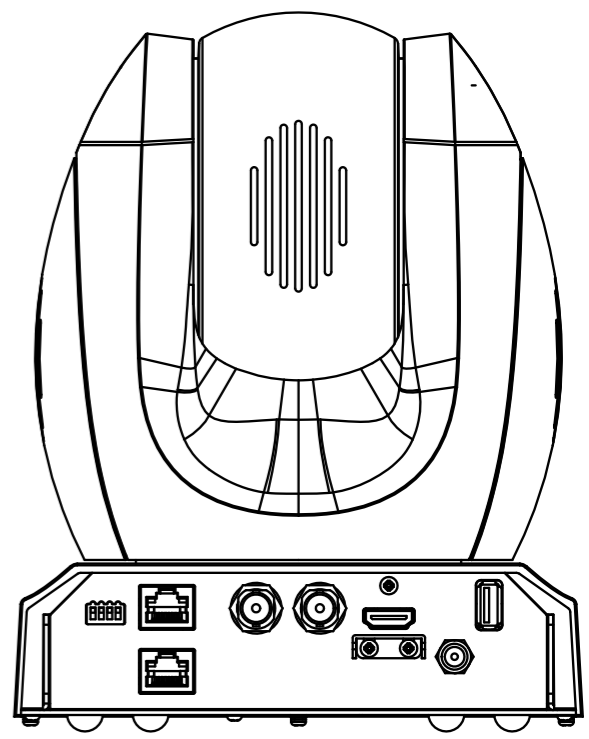
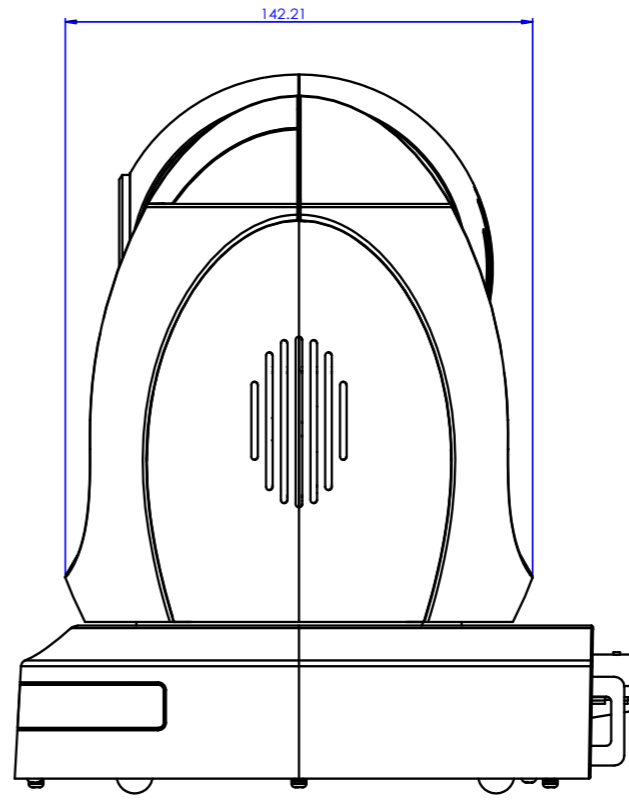
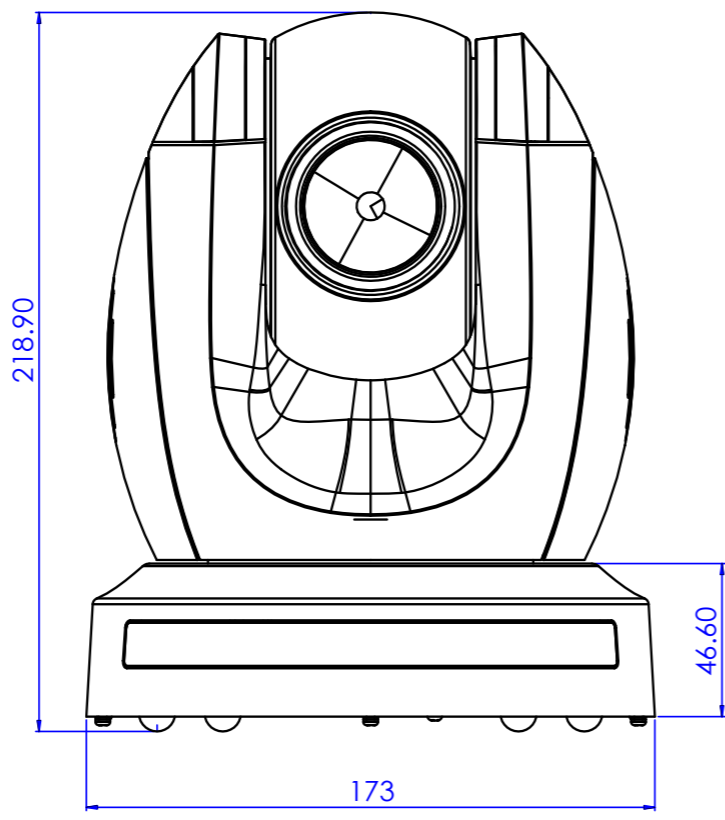
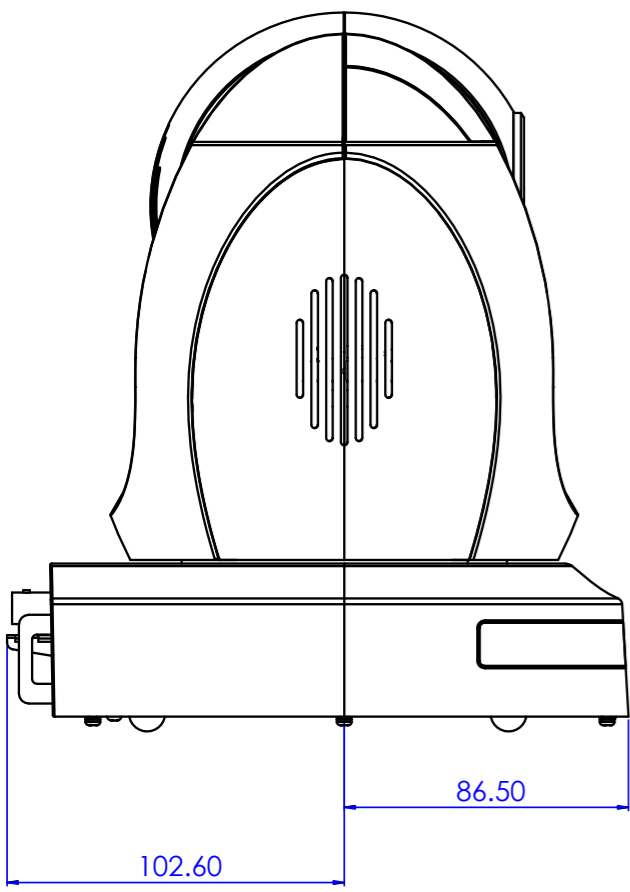
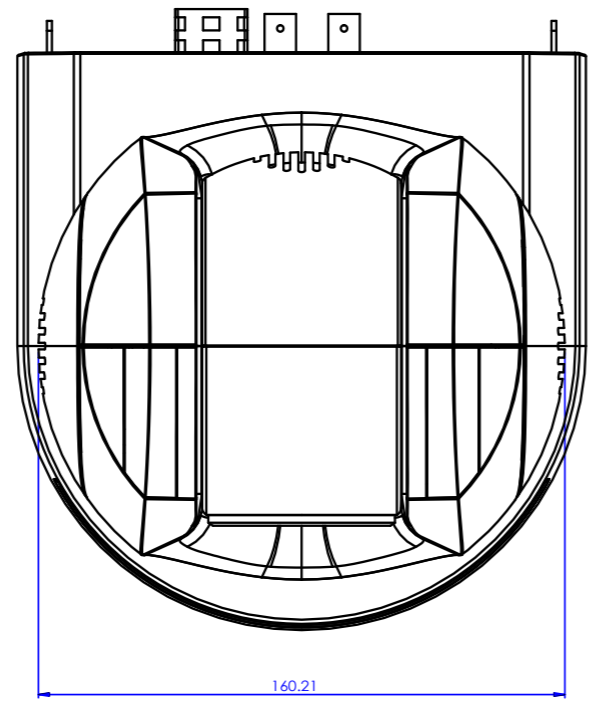


Rev	ECN NO	Description	Drawing	Approved	Date

注意事項:
 1.未標註尺寸公差請參照Common Tolerance
 2.標註尺寸加框 為重點檢驗尺寸



Common Tolerance		UNLESS OTHERWISE SPECIFIED		Material:	XXXXXXX	Part Name: PTC-150 總組立圖	
10mm以下	±0.1	DIMENSIONS ARE IN MILLIMETERS		Finish:	XXXXXXX	Part No: XXXXXXX	
10.01-50mm	±0.2	Angles Tolerance: ±0.5A				Model No: XXXXXXX	
50.01-150mm	±0.3	Drawing	Design			Check	Approved
150.01-300mm	±0.4	Michael	Michael	Lake		Date: 2015/8/17	QTY: X
300.01mm以上	±0.5						