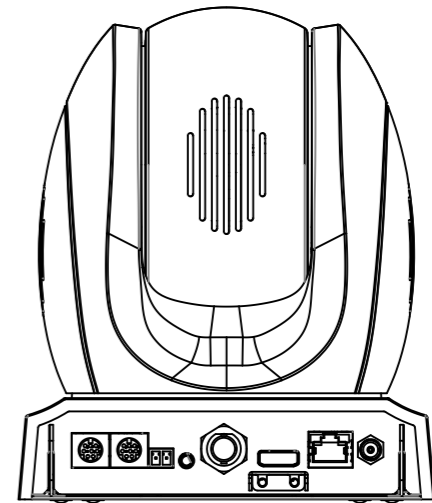
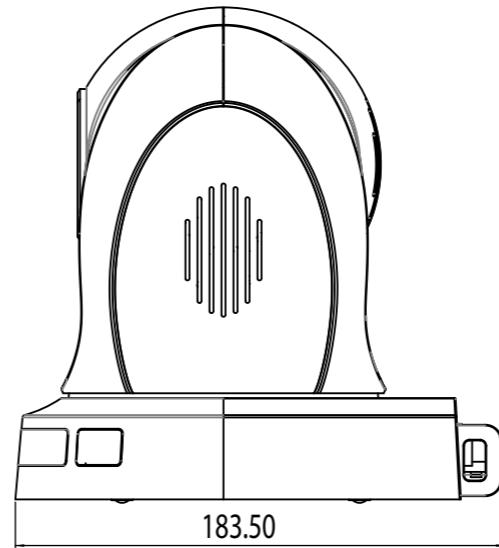
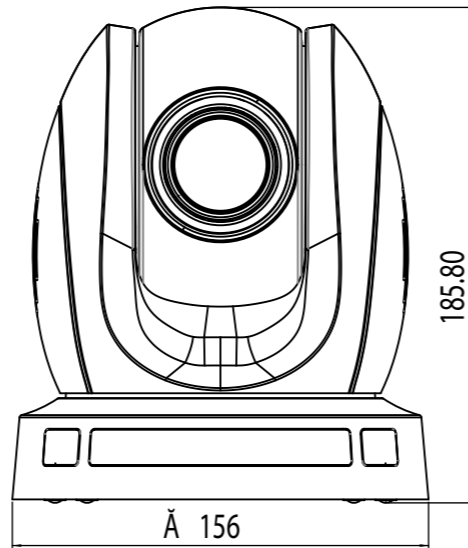
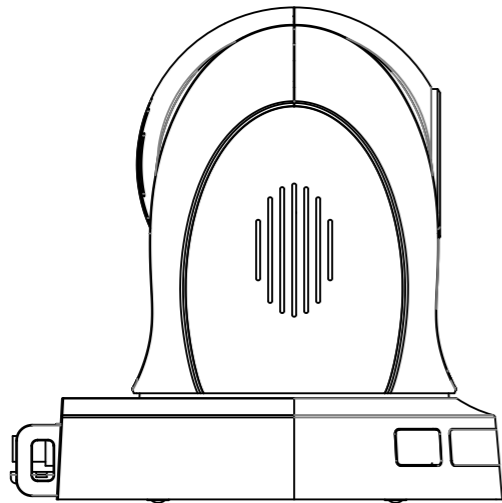
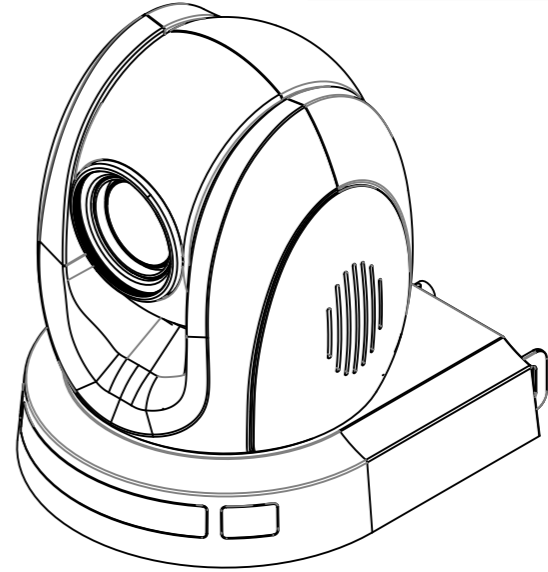
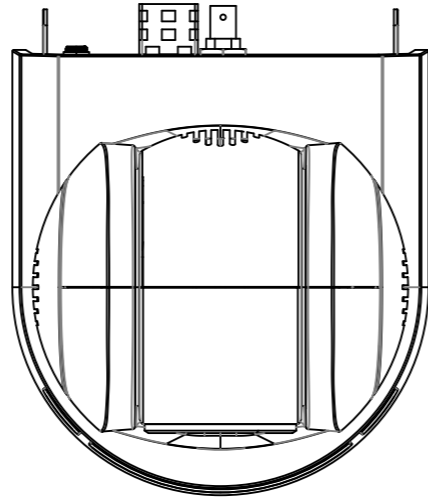


2.500000  
2.500000  
2.500000  
2.500000  
Tolerance

Rev	EC/Nº	Description	Drawing	Approved	Date



Common Tolerance		MATERIAL	XXXXXXXXXX	
Ø<sub>nom</sub>	Ø<sub>min</sub>	Finish	XXXXXXXXXX	Part Name: PTC-140
Ø<sub>max</sub>	Ø<sub>min</sub>	Angular Tolerance	°	Part No: XXXXXXXX
Ø<sub>nom</sub>	Ø<sub>min</sub>	Cleaning	Design	Check
Ø<sub>max</sub>	Ø<sub>min</sub>	Material	XXXXXXXXXX	Scale: 1:2
Ø<sub>nom</sub>	Ø<sub>min</sub>	Date	20/09/2022	Sheet: 1/1