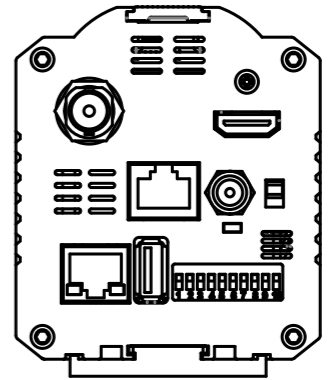
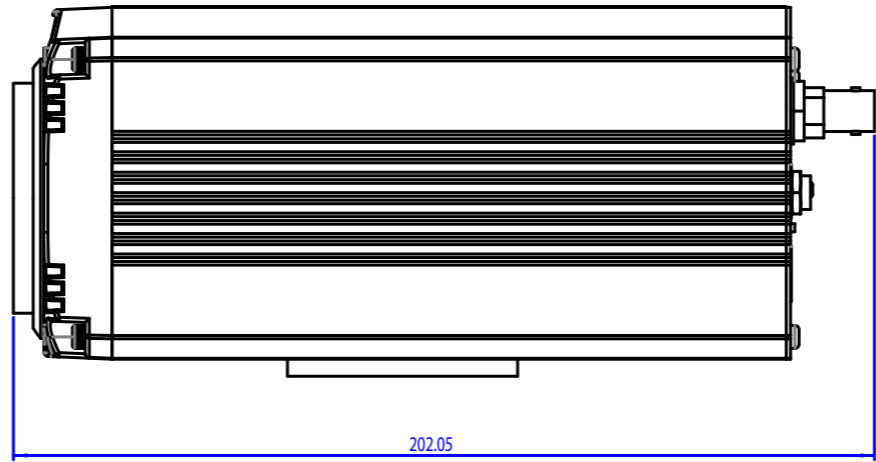
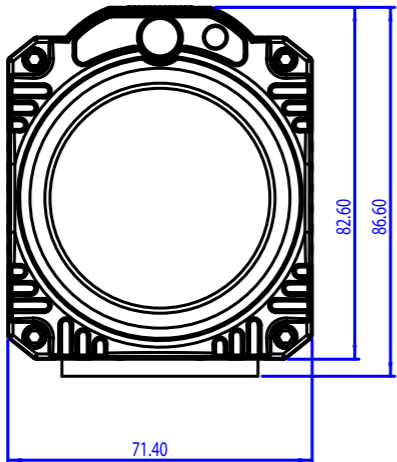
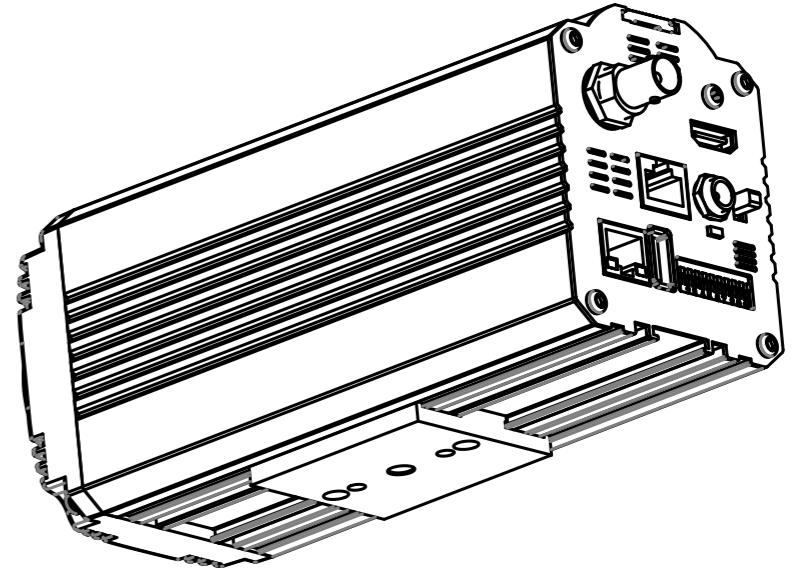
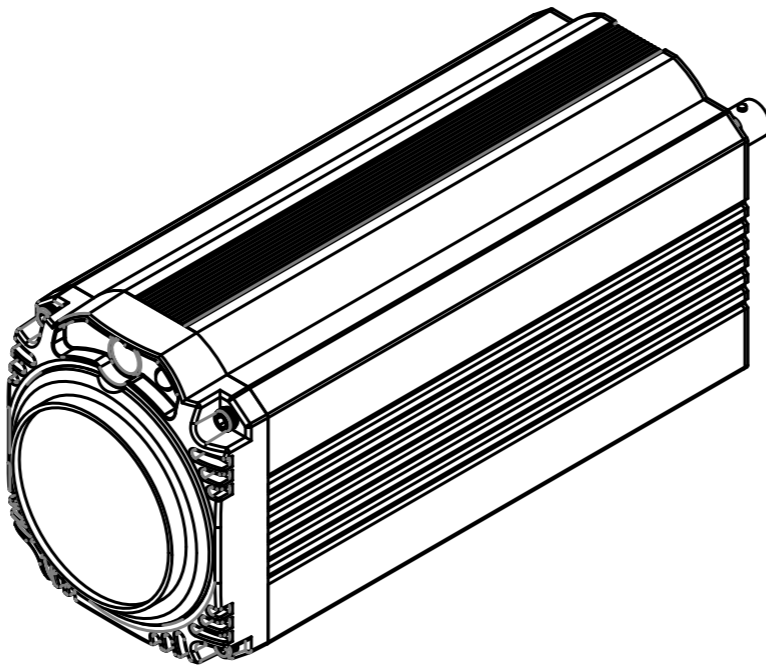
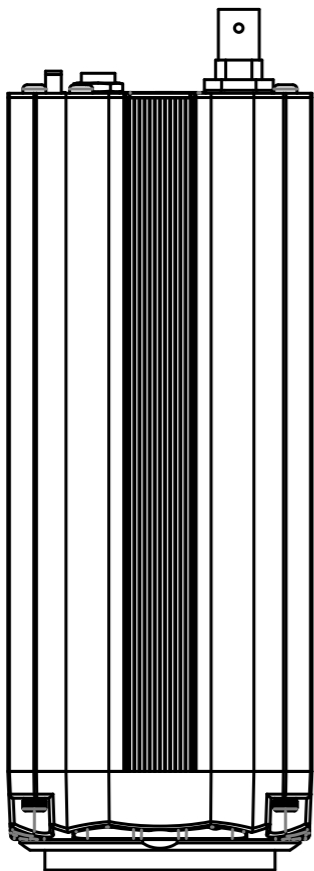


10	11	12
Rev	ECN NO	Description
X	XXXXXXXX	XXXXXXXXXX
Drawing	Approved	Date

Common Tolerance  
 1. Common Tolerance  
 2. Common Tolerance



Common Tolerance	UNLESS OTHERWISE SPECIFIED	Material:	XXXXXXX	datavideo		
10mm	DIMENSIONS ARE IN MILLIMETERS	Finish:	XXXXXXX	Part Name:	BC-80 Assembly-20191210	
10.01-50mm		Angles Tolerance: 80.5	A	Part No:	XXXXXXXX	
50.01-150mm		Drawing	Design	Check	Approved	Model No: XXXXXXXX
150.01-300mm		Michael	Michael	Ask	Luke	Unit: mm
300.01mm		Scale: 1:2	Date: 2019/12/10	QTY: X		