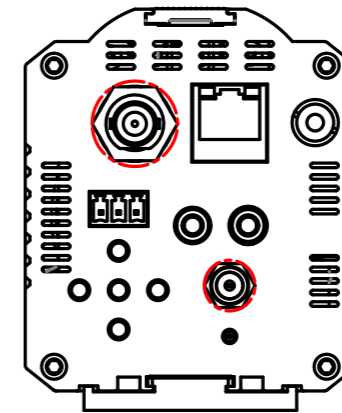
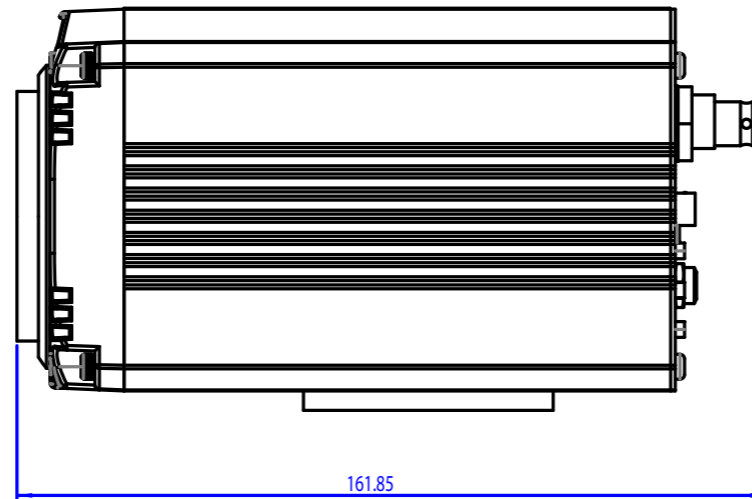
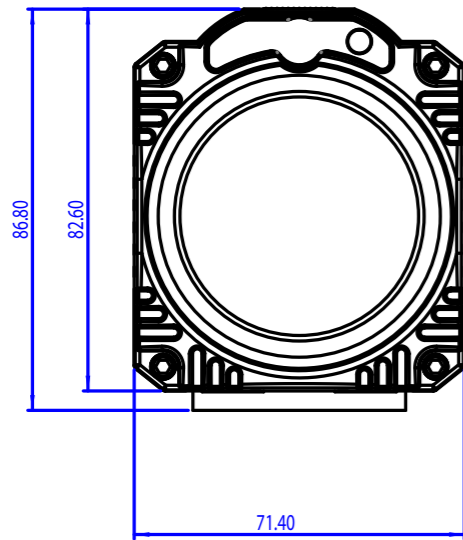
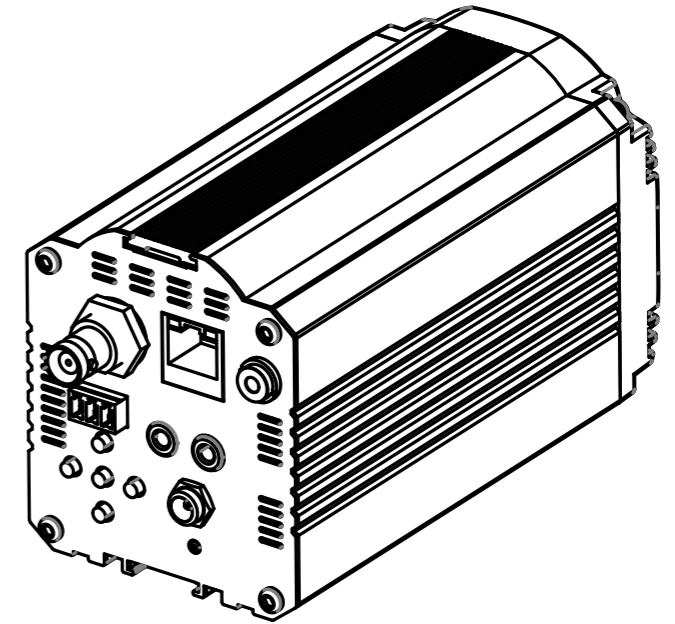
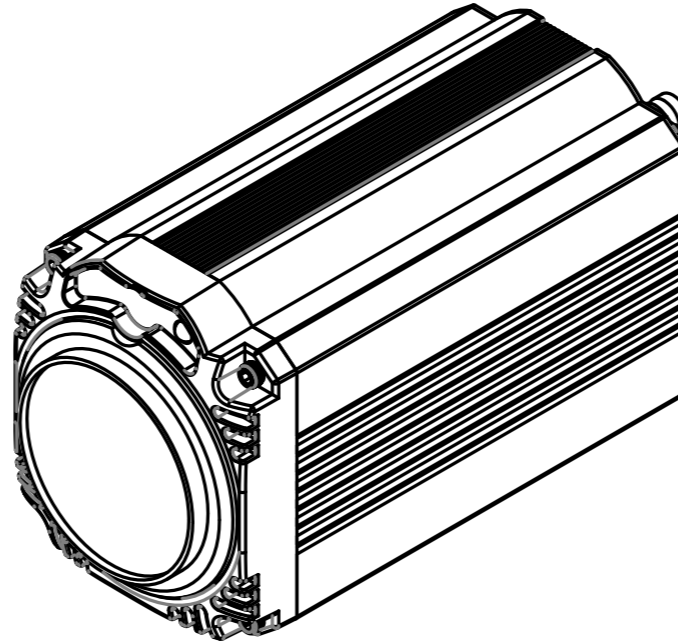
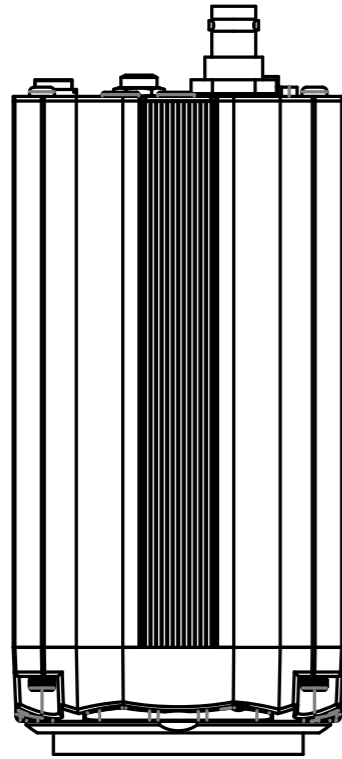


1. Common Tolerance
 2.

| Rev | ECN NO | Description | Drawing | Approved | Date |
|-----|----------|-------------|---------|----------|------|
| X | XXXXXXXX | XXXXXXXXXX | | | |



| | | | | | | | |
|------------------|------|-------------------------------|---------|--------------------|----------|------------------------------------|------------|
| Common Tolerance | | UNLESS OTHERWISE SPECIFIED | | Material: XXXXXXXX | | datavideo | |
| 10mm | ±0.1 | DIMENSIONS ARE IN MILLIMETERS | | Finish: XXXXXXXX | | Part Name: BC-50 Assembly-20191210 | |
| 10.01-50mm | ±0.2 | Angles Tolerance: ±0.5 A | | | | Part No: XXXXXXXX | |
| 50.01-150mm | ±0.3 | Drawing | Design | Check | Approved | Model No: XXXXXXXX | |
| 150.01-300mm | ±0.4 | Michael | Michael | Aska | Lake | Unit: mm | Scale: 1:2 |
| 300.01mm | ±0.5 | | | | | Date: 2019/12/10 | QTY: X |