

Cosmopolitan® Electrol®

Automatic Electric Projection Screen Model



SPECIFICATION DATA

SUGGESTED SPECIFICATIONS: _____ projection screen(s), _____ (H) x _____ (W), electrically operated 120 volt (60 Hz) not more than 2.4 amp. Shall have specially designed motor mounted inside the roller, to be three wire with ground quick reversal type, oiled for life, with automatic thermal overload cut-out, integral gears, capacitor and an electric brake to prevent coasting. To have pre-set but adjustable limit switches to automatically stop picture surface in the "up" and "down" positions. The roller to be of rigid metal. Screen fabric to be flame retardant and mildew resistant fiberglass with

black masking borders standard. Bottom of fabric shall be formed into a pocket holding a metal rod. Case to be powder coated white 21-gauge steel, hexagon in shape with flat back to prevent scraping fabric. Case end caps to be heavy duty, allowing no exposed roller pins. End caps shall form sturdy brackets for wall or ceiling installation. To be complete with three position control switch with cover plate. Screen to be listed by Underwriters' Laboratories.



HDTV (16:9) Format Dimensions (2" Standard Black Drop At Top)

Viewing Area (H x W)		Nominal Diagonal		A - Overall Length of Case		B - Between Hanger Eyes		Approx. Ship. Wt.	
In.	Cm	In.	Cm	In.	Cm	In.	Cm	Lbs.	Kg
45" x 80"	114 x 203	92"	234	92"	234	90½"	230	48	21.8
52" x 92"	132 x 234	106"	269	104"	264	102½"	260	51	23.1
54" x 96"	137 x 244	110"	279	108"	274	106½"	271	53	24.0
58" x 104"	147 x 264	119"	302	116"	295	114½"	291	56	25.4
65" x 116"	165 x 295	133"	338	128"	325	126½"	321	65	29.5
78" x 139"	198 x 353	159"	404	152"	386	150½"	382	85	38.6

Wide (16:10) Format Dimensions (2" Standard Black Drop At Top)

Viewing Area (H x W)		Nominal Diagonal		A - Overall Length of Case		B - Between Hanger Eyes		Approx. Ship. Wt.	
In.	Cm	In.	Cm	In.	Cm	In.	Cm	Lbs.	Kg
50" x 80"	127 x 203	94"	239	92"	234	90½"	230	48	21.8
57½" x 92"	146 x 234	109"	277	104"	264	102½"	260	51	23.1
60" x 96"	152 x 244	113"	287	108"	274	106½"	271	53	24.0
65" x 104"	165 x 264	123"	312	116"	295	114½"	291	60	27.2
69" x 110"	175 x 279	130"	330	122"	310	120½"	306	61	27.7
72½" x 116"	184 x 295	137"	348	128"	325	126½"	321	65	29.5
87" x 139"	221 x 353	164"	417	152"	386	150½"	382	85	38.6

Video (NTSC 4:3) Format Dimensions (2" Standard Black Drop At Top)

Viewing Area (H x W)		Nominal Diagonal		A - Overall Length of Case		B - Between Hanger Eyes		Approx. Ship. Wt.	
In.	Cm	In.	Cm	In.	Cm	In.	Cm	Lbs.	Kg
43" x 57"	109 x 145	72"	183	68"	173	66½"	169	37	16.8
50" x 67"	127 x 170	84"	213	78"	198	76½"	194	41	18.6
60" x 80"	152 x 203	100"	254	92"	234	90½"	230	48	21.8
69" x 92"	175 x 234	120"	305	104"	264	102½"	260	52	23.6
87" x 116"	221 x 295	150"	381	128"	325	126½"	321	75	34.0
105" x 140"	267 x 356	180"	457	152"	386	150½"	382	92	41.7

Square Format Dimensions

Sizes (H x W)		A - Overall Length of Case		B - Between Hanger Eyes		Approx. Ship. Wt.	
In.	Cm	In.	Cm	In.	Cm	Lbs.	Kg
60" x 60"	152 x 152	68"	172	66½"	169	38	17.2
70" x 70"	178 x 178	78"	198	76½"	194	41	18.6
84" x 84"	213 x 213	92"	234	90½"	230	49	22.2
8" x 8"	244 x 244	104"	264	102½"	260	55	25.0
9" x 9"	274 x 274	116"	295	114½"	291	62	28.1
10" x 10"	305 x 305	128"	325	126½"	321	78	35.4

*Includes 2" Standard Black Drop

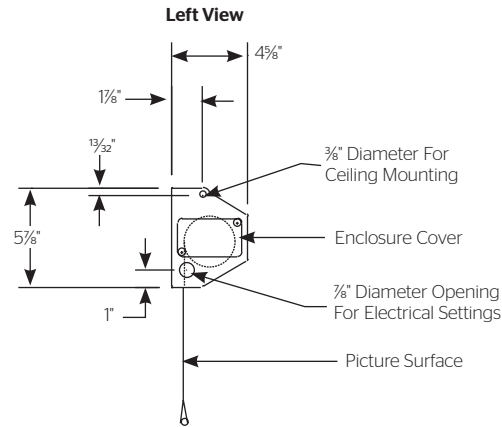
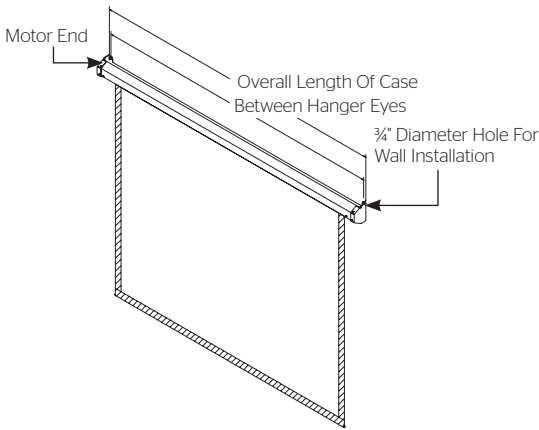
PRODUCT NOTES

- **Matte White:** Horizontal seam required when both dimensions exceed 10'.
- **High Contrast Matte White and Video Spectra 1.5:** Available in sizes where both dimensions do not exceed 8'.
- Overall case length dimensions +/- 1/4" (6mm).
- Specifications subject to change without notice.
- Custom formats and sizes available upon request.

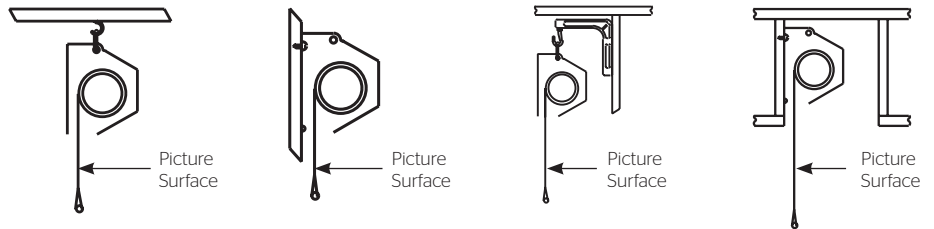
WHEN ORDERING, MARK APPROPRIATE SELECTIONS:

- Select size from charts on the other side.
 - Matte White
 - High Contrast Matte White
 - Video Spectra 1.5
- Options:
 - Extra Drop available to lower picture area more than normal. Specify total drop at top ____ (black or white) or at bottom ____ (black or white). 13' maximum total surface height including picture area.
 - No borders (Black masking borders standard).
 - Single Motor Low Voltage Control (LVC) - built-in.
 - Silent Motor (available on sizes up to 10' x 10').
 - Silent Motor with Integrated LVC (on sizes up to 10' x 10').
 - Key Operated Switch for 120 V only (Note: Cannot be used with LVC).
 - 220 Volt (50 Hz) Motor.
 - Video Projector Interface Control - built-in (120V motor only).
 - Black case (white standard).
- Optional Accessories:
 - Single Motor Low Voltage Control (LVC) - external.
 - Wireless Remote Control for LVC.
 - Radio Frequency Remote.
 - Radio Frequency Range Extender available.
 - Infrared Remote.
 - Key Locking Cover Plate for 120 V Switch or LVC Switch.
 - No. 6 Wall Bracket - 6" non-adjustable extension brackets (140# maximum per pair) (black or white).
 - Ceiling Trim Kit. Built in LVC recommended.
 - Video Projector Interface Control - external.
 - Floating Mounting Bracket. Recommended for drywall installations (black or white).
 - External SCB-100 - RS-232 Serial Control Board.
 - NET-100 Ethernet-Serial Adapter.

PRODUCT VIEWS



SUGGESTED METHODS OF INSTALLATION



Ceiling Mounted

Wall Mounted

Behind Beam or Valance
(use No. 6 Brackets)

Concealed



A BRAND OF MILESTONE AV TECHNOLOGIES

www.milestone.com
 P 800.622.3737 / 574.267.8101
 F 877.325.4832 / 574.267.7804
 E info@da-lite.com

In British Columbia, Milestone AV Technologies ULC carries on business as MAVT Milestone AV Technologies ULC.

©2018 Milestone AV Technologies. DL-0210 (Rev. 4) 0418.
 Da-Lite is a registered trademarks of Milestone AV Technologies. All other brand names or marks are used for identification purposes and are trademarks of their respective owners. All patents are protected under existing designations. Other patents pending.

Project Name: _____

Architect: _____

Contractor: _____ Phone: _____

Reseller: _____ Phone: _____