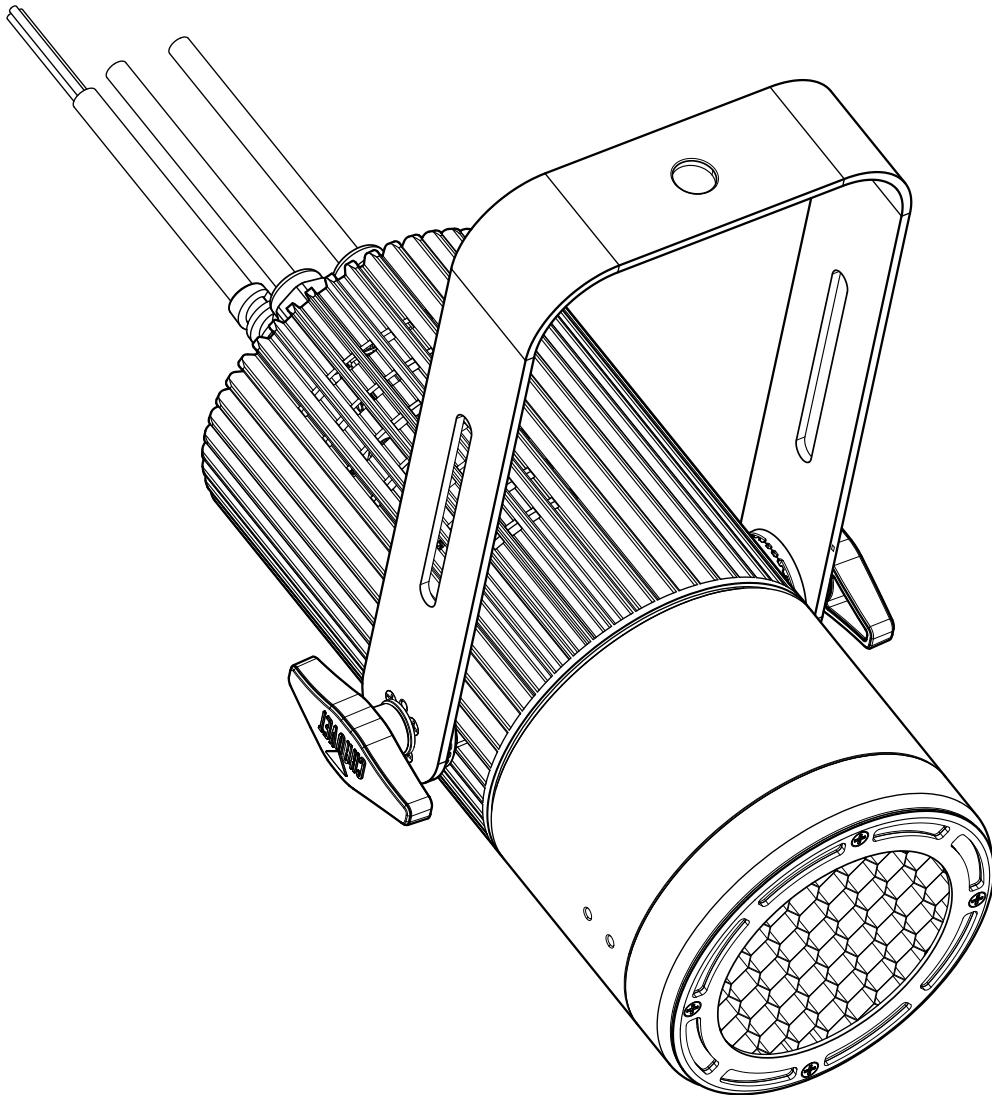


OVATION

H-55FC

Quick Reference Guide

English	EN
Español	ES
Français	FR
Deutsche	DE
Nederlands	NL



Model ID: OVATIONH55FCBLK
OVATIONH55FCWHT


CHAUVET
PROFESSIONAL

About This Guide

The Ovation H-55FC Quick Reference Guide (QRG) has basic product information such as connection, mounting, menu options, and DMX values.

Disclaimer

The information and specifications contained in this QRG are subject to change without notice.

LIMITED WARRANTY

FOR WARRANTY REGISTRATION AND COMPLETE TERMS AND CONDITIONS PLEASE VISIT OUR WEBSITE.

For Customers in the United States and Mexico: www.chauvetlighting.com/warranty-registration.

For Customers in the United Kingdom, Republic of Ireland, Belgium, the Netherlands, Luxembourg, France, and Germany: www.chauvetlighting.eu/warranty-registration.

Chauvet warrants that this product shall be free from defects in material and workmanship under normal use, for the period specified in, and subject to the exclusions and limitations set forth in the full limited warranty on our website. This warranty extends only to the original purchaser of the product and is not transferable. To exercise rights under this warranty, you must provide proof of purchase in the form of an original sales receipt from an authorized dealer that shows the product name and date of purchase. THERE ARE NO OTHER EXPRESS OR IMPLIED WARRANTIES. This warranty gives you specific legal rights. You may also have other rights that vary from state to state and country to country. This warranty is valid only in the United States, United Kingdom, Republic of Ireland, Belgium, the Netherlands, Luxembourg, France, Germany and Mexico. For warranty terms in other countries, please consult your local distributor.

Safety Notes

These Safety Notes include important information about installation, use, and maintenance.

- The luminaire should be positioned so that prolonged staring into the luminaire at a distance closer than 8 m is not expected.
- If the external flexible cable or cord of this luminaire is damaged, it shall be replaced by a special cord or cord exclusively available from the manufacturer or his service agent.
- The light source contained in this luminaire shall only be replaced by the manufacturer or his service agent or a similar qualified person.
- The luminaire is intended for professional use only.
- DO NOT open this product. It contains no user-serviceable parts.
- DO NOT look at the light source when the product is on.
- To eliminate unnecessary wear and improve its lifespan, during periods of non-use completely disconnect the product from power via breaker or by unplugging it.
- CAUTION: When transferring product from extreme temperature environments, (e.g. cold truck to warm humid ballroom) condensation may form on the internal electronics of the product. To avoid causing a failure, allow product to fully acclimate to the surrounding environment before connecting it to power.
- CAUTION: This product's housing may be hot when lights are operating.
- Mount this product in a location with adequate ventilation, at least 20 in (50 cm) from adjacent surfaces.
- DO NOT leave any flammable material within 50 cm of this product while operating or connected to power.
- USE a safety cable when mounting this product overhead.
- DO NOT operate this product outdoors or in any location where dust, excessive heat, water, or humidity may affect it. (IP20)
- DO NOT operate this product if the housing, lenses, or cables appear damaged.
- DO NOT connect this product to a dimmer or rheostat.
- ONLY connect this product to a grounded and protected circuit.
- ONLY use the hanging/mounting bracket to carry this product.
- In the event of a serious operating problem, stop using immediately.
- The maximum ambient temperature is 113 °F (45 °C). Do not operate this product at higher temperatures.
- The minimum ambient temperature is -4 °F (-20°C). Do not operate the product at lower temperatures.

FCC Compliance

This device complies with Part 15 Part B of the FCC Rules. Operation is subject to the following two conditions:

1. This device may not cause harmful interference, and
2. This device must accept any interference received, including interference that may cause undesired operation.

Any changes or modifications not expressly approved by the party responsible for compliance could void the user's authority to operate the equipment.

RF Exposure Warning for North America, and Australia

Warning! This equipment complies with FCC radiation exposure limits set forth for an uncontrolled environment. This equipment should be installed and operated with a minimum distance of 20cm between the radiator and your body. This transmitter must not be co-located or operating in conjunction with any other antenna or transmitter.

Contact

Outside the U.S., U.K., Ireland, Benelux, France, Germany, or Mexico, contact your distributor to request support or return a product. Refer to [Contact Us](#) at the end of this QRG for contact information.

What is Included

- Ovation H-55FC
- 65°, 40°, and 25° lens
- 80° filter
- Egg crate
- Recess and Sconce Mounting Kits
- Quick Reference Guide

AC Power

This product has an auto-ranging power supply that can work with an input voltage range of 100–240 VAC, 50/60 Hz.

AC Plug

Connection	Wire (U.S.)	Wire (Europe)	Screw Color
AC Live	Black	Brown	Yellow/Brass
AC Neutral	White	Blue	Silver
AC Ground	Green/Yellow	Green/Yellow	Green



To eliminate unnecessary wear and improve its lifespan, during periods of non-use completely disconnect the product from power via breaker or by unplugging it.

Replacing the Fuse

1. Disconnect the product from power.
2. Using a flat head screwdriver, unscrew the fuse holder cap from the housing.
3. Remove blown fuse and replace with a good fuse of the same type and rating.
4. Screw the fuse holder cap back in place and reconnect power.

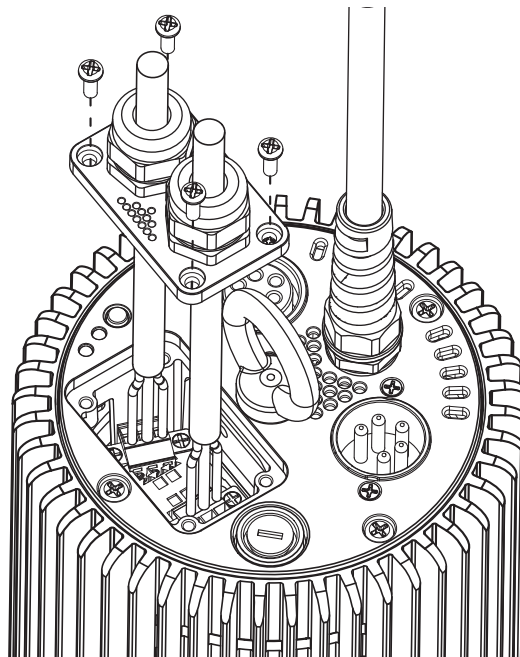
DMX Linking

The Ovation H-55FC will work with a DMX controller using a wireless, 5-pin serial or hard-wired connection. A DMX Primer is available from www.chauvetprofessional.com.

DMX Connection

The Ovation H-55FC uses a 5-pin DMX or hard-wired connection for its DMX personalities: **3Ch, 5Ch, 7Ch, 10Ch, 12Ch, 13Ch, 16Ch**, and **HSV**.

DMX Hard-Wire Diagram



Master/Slave Connection

The Ovation H-55FC uses the DMX data connection for its Master/Slave mode.

RDM (Remote Device Management)

Remote Device Management, or RDM, is a standard for allowing DMX-enabled devices to communicate bi-directionally along existing DMX cabling. Check the DMX controller's User Manual or with the manufacturer as not all DMX controllers have this capability. The Ovation H-55FC supports RDM protocol that allows feedback to make changes to menu map options.

Wireless Operation

In optimal conditions, the Ovation H-55FC can operate up to 300 m (900 ft) away from the W-DMX transmitter. The W-DMX receiver in the Ovation H-55FC must be paired with the W-DMX transmitter for wireless operation.

Initial Setup

1. Turn the W-DMX transmitter on.
2. Connect the W-DMX transmitter to a DMX controller.
3. Place the Ovation H-55FC within 300 m from the W-DMX transmitter.
4. Disconnect any DMX connection from the Ovation H-55FC.
5. Power the Ovation H-55FC on.

Wireless Configuration

To configure the wireless mode, press and hold the button next to the indicator lights.

Mode	Wireless Indicator Light	Description
OFF	Green/Red lights off	Product is off
RECEIVE MODE	Green light flashing slowly	In Receiving Mode
	Red light off	Waiting for wireless connection
	Red light on	Receiving DMX input from W-DMX transmitter
	Red light flashing slowly	Connected to W-DMX transmitter but not receiving signal
	Red light flashing quickly	Connected to W-DMX transmitter but signal is weak.

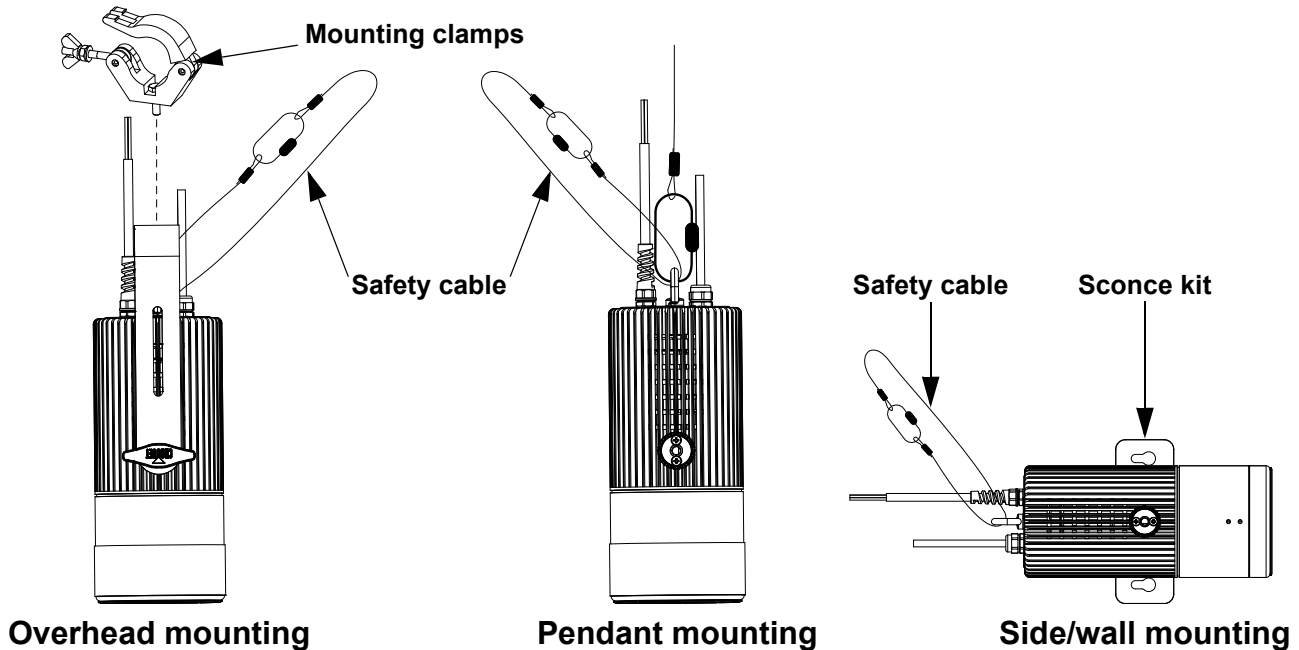


W-DMX operation can be interrupted or inhibited by liquid masses between the transmitter and receiver such as water, snow, or people. For best results, keep the area between the transmitter and receiver clear of any liquid masses.

Mounting

Before mounting this product, read the [Safety Notes](#). Make sure the mounting clamps are capable of supporting the weight of the product. For our Chauvet line of mounting clamps, go to <http://trusst.com/productcategory/truss-clamps/>.

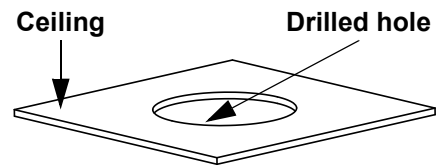
Mounting Diagram



Houselight Recess Kit Installation

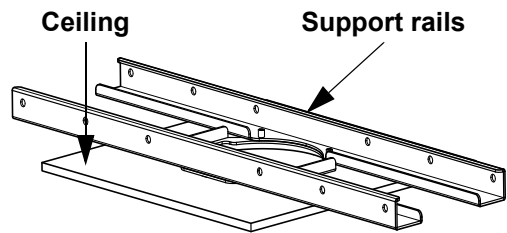
Follow the instructions below to install an Ovation H-55FC product using the houselight recess kit.

1. Drill a 145–160 mm hole in the ceiling.

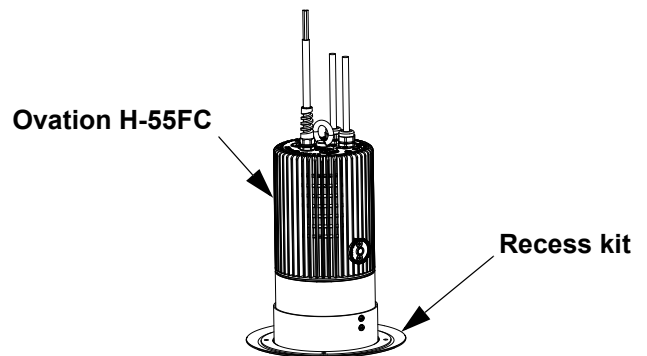


Ensure that the ceiling can support the weight of the product and associated hardware before installing.

2. Attach the support rails to the ceiling.

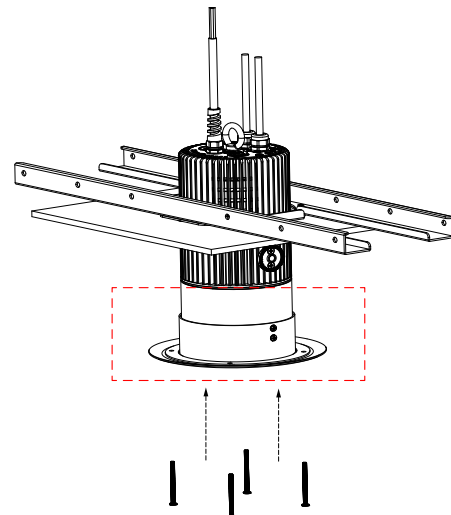


3. Attach the recess kit to the product.



When using the recess kit, the product must be installed into a plenum space with adequate open space for ventilation. Installing into confined spaces with no airflow is not permitted.

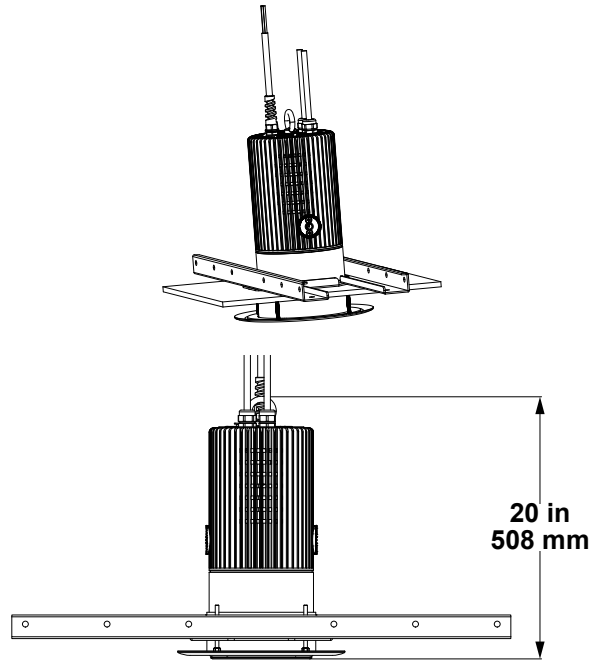
4. Attach the product to the ceiling using M4 screws (x4).



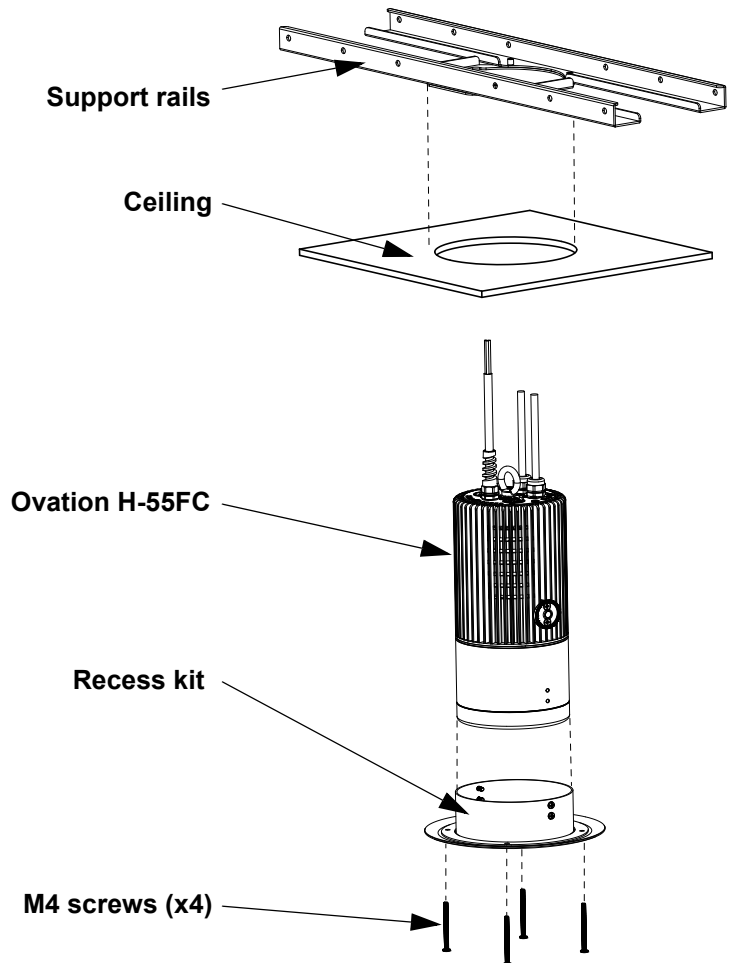
5. Setup is finished.



A Distance of at least 20 in (508 mm) from wall to ceiling, in all directions, is required when installing the recess kit.



Exploded View of Installation



Virtual Color Wheel

The Ovation H-55FC includes a feature called the Virtual Color Wheel (VCW). This feature is available as a stand-alone control mode for manual use and also as a control channel in select DMX personalities. Over 30 colors, custom blended by our engineers, are available to call up for easier programming. The DMX values used to mix these colors are provided below. Adjust the overall intensity of the Ovation fixture in order to more closely replicate familiar colors. A chart is available on our website www.chauvetprofessional.com to compare our pre-mixed colors with popular gel colors. This chart is for comparison purposes only and is not a representation that our pre-mixed colors match any of the gel colors listed.

Virtual Color Wheel Chart

DMX Value	Color	Red Value	Green Value	Blue Value	Amber Value	Lime Value
000 ⇔ 005		000	000	000	000	000
006 ⇔ 013	C3050-Md Yellow	210	255	003	255	157
014 ⇔ 021	C3040-Lt Yellow	244	167	010	216	213
022 ⇔ 028	C3240-Amb Yellow	208	105	000	255	234
029 ⇔ 035	C2340-VLt Amber	254	049	026	255	255
036 ⇔ 043	C2040-Lt Amber	255	046	020	255	255
044 ⇔ 051	C2050-Md Amber	255	027	002	255	126
052 ⇔ 059	C2060-Dk Amber	255	008	002	255	098
060 ⇔ 067	C1050-Lt Red	255	021	003	000	000
068 ⇔ 075	C1080-Md Red	255	000	001	000	000
076 ⇔ 083	C1020-NC Pink	255	255	051	255	016
084 ⇔ 091	C1030-Md Pink	255	205	051	255	000
092 ⇔ 099	C1630-Dk Pink	255	148	060	255	214
100 ⇔ 107	C1250-Md Red Amber	255	000	008	255	004
108 ⇔ 115	C1060-Dk Red Amber	255	000	011	110	000
116 ⇔ 121	C1650-Magenta	255	052	050	255	041
122 ⇔ 130	C6170-Dk Magenta	255	000	075	034	000
131 ⇔ 138	C6020-Lt Lavender	090	117	077	255	255
139 ⇔ 146	C5030-Lt Blue	000	255	123	006	255
147 ⇔ 154	C5020-VLt Blue	023	255	126	061	255
155 ⇔ 162	C5430-Lt Blue2	000	255	116	000	255
163 ⇔ 170	C5070-Blue	000	255	139	000	033
171 ⇔ 178	C5050-Md Blue	000	255	128	048	033
179 ⇔ 186	C5060-Dk Blue	000	255	174	000	039
187 ⇔ 194	C5690-Indigo	002	024	255	055	001
195 ⇔ 202	C5080-VDk Blue	000	255	229	000	000
203 ⇔ 210	C5081-VdK Blue2	000	237	255	000	024
211 ⇔ 218	C4370-Yel Green	000	255	005	017	010
219 ⇔ 226	C4070-Green	042	255	010	010	001
227 ⇔ 234	C4550-Turquoise	000	255	046	016	255
235 ⇔ 242	C4560-Aqua	015	255	053	017	167
243 ⇔ 250	C4570-Blue Green	000	255	025	000	028
251 ⇔ 255		000	000	000	000	000



The colors above are simulated renditions of the color output produced as compared to other similar incandescent products. Chauvet makes no guarantee of the color output accuracy.

Color Temperature Chart

DMX Value	Color Temperature	Red Value	Green Value	Blue Value	Amber Value	Lime Value
000 ⇔ 005		000	000	000	000	000
006 ⇔ 025	2800K	152	133	050	255	255
026 ⇔ 050	3000K	139	149	061	255	255
051 ⇔ 075	3200K	124	163	069	255	255
076 ⇔ 100	3500K	117	196	080	255	255
101 ⇔ 125	4000K	101	232	105	255	255
126 ⇔ 150	4500K	091	255	122	210	249
151 ⇔ 175	5000K	076	255	130	180	238
176 ⇔ 200	5600K	065	255	143	163	222
201 ⇔ 225	6000K	058	255	150	155	219
226 ⇔ 250	6500K	053	255	157	146	212
251 ⇔ 255		000	000	000	000	000

 The color temperatures above are simulated renditions of the color output produced as compared to a tungsten lamp at the specified color temperature. Chauvet makes no guarantee of the color output accuracy.

Menu Map

Refer to the Ovation H-55FC product page on www.chauvetprofessional.com for the latest menu map.



RDM2go, or another RDM-capable interface, is required to access these settings.

Main Level	Programming Levels	Description
DMX Address	1–512*	Selects DMX address (*highest channel restricted to personality chosen)
DMX Channel	3CH	3-channel: dimmer, VCW, color temperature
	5CH	5-channel: RGBAL
	7CH	7-channel: dimmer, RGBAL, strobe
	10CH	10-channel: 16-bit dimmer, RGBAL, strobe, VCW, color temperature
	12CH	12-channel: dimmer, RGBAL, strobe, VCW, color temperature, auto program and speed, control
	13CH	13-channel: 16-bit dimmer, 16-bit RGBAL
	16CH	16-channel: 16-bit dimmer, 16-bit RGBAL, strobe, VCW, color temperature, control
	HSV	3-channel: hue, saturation, value
Dimmer Curve	S-Curve	S-curve
	Linear	Linear curve
	Square	Square law curve
	Inverse Square	Inverse square law curve
Dimmer Mode	OFF	Instantaneous dimmer
	Dimmer 1–3	Dimmer mode 1 (fast) to 3 (slow)
LED Frequency	600Hz	Sets the PWM frequency
	1200Hz	
	2000Hz	
	4000Hz	
	6000Hz	
Factory Default	No	Resets the product to factory default settings
	Yes	

Main Level	Programming Levels				Description
Specific PIDS	1	82C8	Clean All Data	0	No
				1	Yes
	2	8218	Static-Red	0–255	Combine red, green, blue, amber, and lime to make a custom color (0–100%).
	3	8219	Static-Green	0–255	
	4	8220	Static-Blue	0–255	
	5	8221	Static-Amber	0–255	
	6	8222	Static-Lime	0–255	
	7	8209	Auto Show	0–5	
	8	8210	Auto Speed	1–100	Sets program speed
	9	8211	Master/Slave	0	Master mode
				1	Slave mode
	10	8212	W-DMX On/Off	0	W-DMX off
				1	W-DMX on
	11	8215	Receive Reset	0	Do not reset receiver
				1	Reset receiver
	12	8216	Emergency Mode	0	Emergency mode off
				1	Emergency mode on
	13	8200	White Balance-Red	125–255	Sets red LED maximum value
14	8201	White Balance-Green	125–255	Sets green LED maximum value	
15	8202	White Balance-Blue	125–255	Sets blue LED maximum value	
16	8204	White Balance-Amber	125–255	Sets amber LED maximum value	
17	8205	White Balance-Lime	125–255	Sets lime LED maximum value	
18	82BC	Red Shift	0	Red shift off	
			1	Red shift on	

DMX Values

HSV

Channel	Function	Value	Percent/Setting
1	Hue	000 ⇔ 255	0–100%
2	Saturation	000 ⇔ 255	0–100%
3	Value	000 ⇔ 255	0–100%

16Ch

Channel	Function	Value	Percent/Setting
1	Dimmer	000 ⇔ 255	0–100%
2	Fine Dimmer	000 ⇔ 255	0–100% (16-bit)
3	Red	000 ⇔ 255	0–100%
4	Fine red	000 ⇔ 255	0–100% (16-bit)
5	Green	000 ⇔ 255	0–100%
6	Fine green	000 ⇔ 255	0–100% (16-bit)
7	Blue	000 ⇔ 255	0–100%
8	Fine blue	000 ⇔ 255	0–100% (16-bit)
9	Amber	000 ⇔ 255	0–100%

QUICK REFERENCE GUIDE



EN

Channel	Function	Value	Percent/Setting
10	Fine amber	000 ⇔ 255	0–100% (16-bit)
11	Lime	000 ⇔ 255	0–100%
12	Fine lime	000 ⇔ 255	0–100% (16-bit)
13	Strobe	000 ⇔ 010	No function
		011 ⇔ 255	Strobe, slow to fast
14	Virtual Color Wheel	000 ⇔ 255	See Virtual Color Wheel Chart
15	Color Temperature	000 ⇔ 255	See Color Temperature Chart
16	Control (hold for 3 seconds)	000 ⇔ 007	No function
		008 ⇔ 015	Dimmer reset
		016 ⇔ 023	Red shift on
		024 ⇔ 031	Red shift off
		032 ⇔ 039	S-curve dimmer
		040 ⇔ 047	Linear dimmer
		048 ⇔ 055	Square dimmer curve
		056 ⇔ 063	Inverse square dimmer curve
		064 ⇔ 071	Dimmer speed mode OFF
		072 ⇔ 079	Dimmer speed 1 (fastest)
		080 ⇔ 087	Dimmer speed 2
		088 ⇔ 095	Dimmer speed 3 (slowest)
		096 ⇔ 255	Reserved for future use

13Ch

Channel	Function	Value	Percent/Setting
1	Dimmer	000 ⇔ 255	0–100%
2	Fine Dimmer	000 ⇔ 255	0–100% (16-bit)
3	Red	000 ⇔ 255	0–100%
4	Fine red	000 ⇔ 255	0–100% (16-bit)
5	Green	000 ⇔ 255	0–100%
6	Fine green	000 ⇔ 255	0–100% (16-bit)
7	Blue	000 ⇔ 255	0–100%
8	Fine blue	000 ⇔ 255	0–100% (16-bit)
9	Amber	000 ⇔ 255	0–100%
10	Fine amber	000 ⇔ 255	0–100% (16-bit)
11	Lime	000 ⇔ 255	0–100%
12	Fine lime	000 ⇔ 255	0–100% (16-bit)
13	Strobe	000 ⇔ 010	No function
		011 ⇔ 255	Strobe, slow to fast

12Ch

Channel	Function	Value	Percent/Setting
1	Dimmer	000 ⇔ 255	0–100%
2	Red	000 ⇔ 255	0–100%
3	Green	000 ⇔ 255	0–100%
4	Blue	000 ⇔ 255	0–100%
5	Amber	000 ⇔ 255	0–100%
6	Lime	000 ⇔ 255	0–100%
7	Strobe	000 ⇔ 010	No function
		011 ⇔ 255	Strobe, slow to fast
8	Virtual Color Wheel	000 ⇔ 255	See Virtual Color Wheel Chart
9	Color Temperature	000 ⇔ 255	See Color Temperature Chart

Channel	Function	Value	Percent/Setting
10	Automatic Program	000 ⇔ 010	No function
		011 ⇔ 060	Auto program 1
		061 ⇔ 110	Auto program 2
		111 ⇔ 160	Auto program 3
		161 ⇔ 210	Auto program 4
		211 ⇔ 255	Auto program 5 (Auto programs 1-4)
11	Program Speed	000 ⇔ 255	Automatic program speed, slow to fast
12	Control (hold for 3 seconds)	000 ⇔ 007	No function
		008 ⇔ 015	Dimmer reset
		016 ⇔ 023	Red shift on
		024 ⇔ 031	Red shift off
		032 ⇔ 039	S-curve dimmer
		040 ⇔ 047	Linear dimmer
		048 ⇔ 055	Square dimmer curve
		056 ⇔ 063	Inverse square dimmer curve
		064 ⇔ 071	Dimmer speed mode OFF
		072 ⇔ 079	Dimmer speed 1 (fastest)
		080 ⇔ 087	Dimmer speed 2
		088 ⇔ 095	Dimmer speed 3 (slowest)
		096 ⇔ 255	Reserved for future use

10Ch

Channel	Function	Value	Percent/Setting
1	Dimmer	000 ⇔ 255	0–100%
2	Fine dimmer	000 ⇔ 255	0–100%
3	Red	000 ⇔ 255	0–100%
4	Green	000 ⇔ 255	0–100%
5	Blue	000 ⇔ 255	0–100%
6	Amber	000 ⇔ 255	0–100%
7	Lime	000 ⇔ 255	0–100%
8	Strobe	000 ⇔ 010	No function
		011 ⇔ 255	Strobe, slow to fast
9	Virtual Color Wheel	000 ⇔ 255	See Virtual Color Wheel Chart
10	Color Temperature	000 ⇔ 255	See Color Temperature Chart

7Ch

Channel	Function	Value	Percent/Setting
1	Dimmer	000 ⇔ 255	0–100%
2	Red	000 ⇔ 255	0–100%
3	Green	000 ⇔ 255	0–100%
4	Blue	000 ⇔ 255	0–100%
5	Amber	000 ⇔ 255	0–100%
6	Lime	000 ⇔ 255	0–100%
7	Strobe	000 ⇔ 010	No function
		011 ⇔ 255	Strobe, slow to fast

5Ch

Channel	Function	Value	Percent/Setting
1	Red	000 ⇔ 255	0–100%
2	Green	000 ⇔ 255	0–100%
3	Blue	000 ⇔ 255	0–100%
4	Amber	000 ⇔ 255	0–100%
5	Lime	000 ⇔ 255	0–100%

QUICK REFERENCE GUIDE



EN

3Ch

Channel	Function	Value	Percent/Setting
1	Dimmer	000 ⇄ 255	0–100%
2	Virtual Color Wheel	000 ⇄ 255	See Virtual Color Wheel Chart
3	Color Temperature	000 ⇄ 255	See Color Temperature Chart

Technical Specifications

Dimensions and Weight

Length	Width	Height	Weight
13.14 in (334 mm)	6.92 in (176 mm)	4.52 in (115 mm)	7.4 lb (3.4 kg)

Note: Dimensions in inches are rounded.

Power

Power Supply Type	Range	Voltage Selection
Switching (internal)	100–240 VAC, 50/60 Hz	Auto-ranging

Parameter	120 V, 60 Hz	208 V, 60 Hz	230 V, 50 Hz
Consumption	62 W	64 W	64 W
Operating current	0.541 A	0.308 A	0.278 A
Fuse	T2 A, 250 V	T2 A, 250 V	T2 A, 250 V

Power I/O	US/Canada	UK/Worldwide
Fixed Power Cord	Bare-wired	Bare-wired

Light Source

Type	Color	Quantity	Power	Current	Lifespan
LED	Red	6	2.62–5.25 W	840 mA	50,000 hours
	Green	6			
	Blue	6			
	Amber	4			
	Lime	4			

Photometrics

Filter/Lens	Beam Angle	Field Angle	Illuminance @ 5 m
80° filter	46.1°	76.8°	152 lux
65° lens	63.3°	86.9°	115 lux
45° lens	38.8°	78.4°	173 lux
25° lens	24.7°	46.7°	430 lux

Thermal

Minimum External Temp.	Maximum External Temp.	Cooling
-4 °F (-20 °C)	113 °F (45 °C)	Convection

DMX

I/O Connector	Channel Range
5-pin XLR, W-DMX	3Ch, 5Ch, 7Ch, 10Ch, 12Ch, 13Ch, 16Ch, or HSV

Ordering

Product	Item Name	Item Code	UPC Number
Ovation H-55FC (black)	OVATIONH55FCBLK	03031727	781462220754
Ovation H-55FC (white)	OVATIONH55FCWHT	03031726	781462220747

Acerca de Esta Guía

La Guía de Referencia Rápida (GRR) del Ovation H-55FC contiene información básica sobre el producto, como montaje, opciones de menú y valores DMX.

Exención de Responsabilidad

La información y especificaciones contenidas en esta GRR están sujetas a cambio sin previo aviso.

GARANTÍA LIMITADA

PARA VER EL REGISTRO DE GARANTÍA Y LOS TÉRMINOS Y CONDICIONES COMPLETOS, VISITE NUESTRO SITIO WEB.

Para clientes en los Estados Unidos y México: www.chauvetlighting.com/warranty-registration.

Para clientes en Reino Unido, República de Irlanda, Bélgica, Países Bajos, Luxemburgo, Francia y Alemania:

www.chauvetlighting.eu/warranty-registration.

Chauvet garantiza que este producto estará libre de defectos de material y mano de obra en condiciones de uso normales, durante el periodo especificado, sujeto siempre a las exclusiones y limitaciones establecidas en la garantía limitada completa de nuestro sitio web. Esta garantía se concede únicamente al comprador original del producto y no es transferible. Para ejercer los derechos que otorga esta garantía, usted debe proporcionar una prueba de compra en forma de un recibo de compra original, expedido por un distribuidor autorizado, donde figure el nombre del producto y la fecha de compra. **NO EXISTEN OTRAS GARANTÍAS EXPRESAS NI IMPLÍCITAS.** Esta garantía le otorga derechos legales específicos. Es posible que a usted le asistan otros derechos, que variarán dependiendo del estado o del país. Esta garantía solamente es válida en los Estados Unidos, Reino Unido, República de Irlanda, Bélgica, Países Bajos, Luxemburgo, Francia, Alemania y México. Para conocer los términos de garantía en otros países, consulte a su distribuidor local.

Notas de Seguridad

- Este producto debe colocarse de forma que la fuente de luz se encuentre a más de 8 m de distancia de los ojos de cualquier persona.
- Sustituya los cables dañados SOLO con cables idénticos o equivalentes, disponibles a través del fabricante o de su agente de servicio.
- Solo el fabricante, su agente de servicio o un técnico de similar cualificación deben reemplazar la fuente de luz contenida en este producto.
- Este producto está destinado exclusivamente a un uso profesional.
- NO abra este producto. No contiene piezas reparables por el usuario.
- Para evitar un desgaste innecesario y alargar su vida útil, desconecte complemente el producto de la alimentación, mediante el interruptor o desenchufándolo, durante los periodos en los que no se use.
- NO mire a la fuente de luz cuando el producto esté encendido.
- CUIDADO: La carcasa de este producto está caliente cuando las luces están en funcionamiento.
- Monte este producto en una ubicación con ventilación adecuada, al menos a 20" (50 cm) de superficies adyacentes.
- NO deje ningún material inflamable a menos de 50 cm de este producto mientras esté funcionando o conectado a la alimentación.
- Cuidado: cuando transfiera el producto desde ambientes con temperatura extrema (p. ej., del remolque frío de un camión a una sala de baile con calor y humedad), puede formarse condensación en la electrónica interna del producto. Para evitar que se produzca una avería, deje que el producto se aclimate completamente al ambiente antes de conectar la alimentación.
- USE un cable de seguridad cuando monte este producto en lo alto.
- NO ponga en funcionamiento este producto en el exterior o en cualquier ubicación en la que el polvo, calor excesivo, agua o humedad puedan afectarlo. (IP20)
- NO ponga en funcionamiento este producto si sospecha que la carcasa, lentes o cables están dañados.
- NO conecte este producto a un atenuador o reostato.
- Conecte este producto SOLO a un circuito con toma de tierra y protegido.
- Use SOLAMENTE los soportes de montar para mover este producto.
- En caso de un problema grave de funcionamiento, deje de usarlo inmediatamente.
- La máxima temperatura ambiente es de 113 °F (45 °C). No haga funcionar este producto a temperaturas más altas.
- La temperatura de inicio máxima es de -4 °F (-20 °C). No ponga en funcionamiento el producto a temperaturas más bajas.

Cumplimiento de la FCC

Este dispositivo cumple la parte 15, parte B de las normas FCC. El funcionamiento está supeditado al cumplimiento de estas dos condiciones:

1. Este dispositivo no puede causar interferencias perjudiciales; y
2. Este dispositivo debe aceptar cualquier interferencia recibida, incluyendo las interferencias que puedan causar un funcionamiento no deseado.

Cualquier cambio o modificación que no haya sido expresamente autorizado por la parte responsable de conformidad puede anular la potestad del usuario para hacer funcionar el equipo.

Advertencia de exposición a RF para América del Norte y Australia

¡Advertencia! Este equipo cumple los límites FCC de exposición a radiación establecidos para un entorno no controlado. Este equipo debe instalarse y manejarse con una distancia mínima de 20 cm entre el radiador y su cuerpo. Este transmisor no se debe situar junto a ninguna otra antena o transmisor ni hacerse funcionar en combinación con ellos.

Contacto

Fuera de EE. UU., Reino Unido, Irlanda, Benelux, Francia, Alemania o México póngase en contacto con su distribuidor para solicitar asistencia o devolver un producto. Consulte [Contact Us](#) al final de este GRR para información de contacto.

Qué va Incluido

- Ovation H-55FC
- Lentes de 65°, 40° y 25°
- Filtro de 80°
- Caja tipo huevera
- Kit de receso y kit montaje de candelabro de pared
- Guía de Referencia Rápida

Corriente Alterna

Este producto tiene una fuente de alimentación con detección automática que puede funcionar con un rango de tensión de entrada de 100 a 240 VCA, 50/60 Hz.

Enchufe CA

Conexión	Cable (EE.UU.)	Cable (Europa)	Color del tornillo
CA Cargado	Negro	Marrón	Amarillo/Latón
CA Neutro	Blanco	Azul	Plata
CA Tierra	Verde/Amarillo	Verde/Amarillo	Verde



Para evitar un desgaste innecesario y alargar su vida útil, desconecte completamente el producto de la alimentación, mediante el interruptor o desenchufándolo, durante los periodos en los que no se use.

Sustitución del Fusible

1. Desconecte este producto de la alimentación.
2. Utilizando un destornillador plano, desatornille la tapa del portafusibles de la carcasa.
3. Quite el fusible fundido del portafusibles y sustitúyalo con uno nuevo del mismo tipo y categoría.
4. Vuelva a atornillar la tapa del portafusibles en su sitio y conecte de nuevo la alimentación.

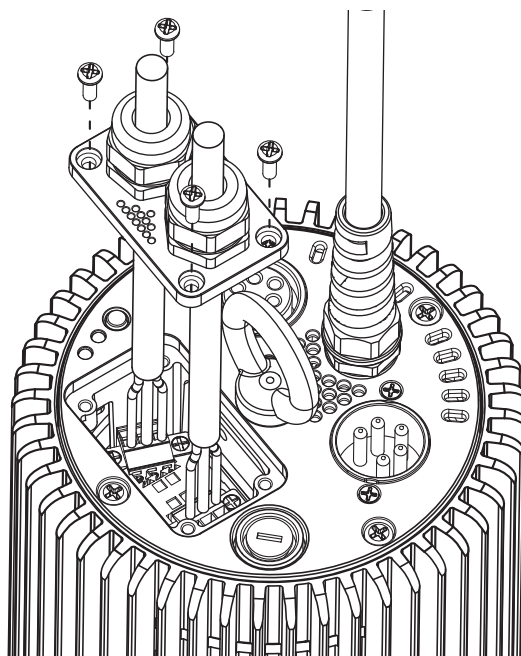
Enlace DMX

El Ovation H-55FC funcionará con un controlador DMX usando una conexión inalámbrica, cableado o serie de 5 pines. Hay un Manual DMX disponible en www.chauvetprofessional.com.

Conexión DMX

El Ovation H-55FC usa una conexión de datos DMX para sus personalidades: **3Ch, 5Ch, 7Ch, 10Ch, 12Ch, 13Ch, 16Ch y HSV.**

Diagrama cableado DMX



Conexión Maestro/Esclavo

El Ovation H-55FC usa la conexión de datos DMX para su modo Maestro/Esclavo.

RDM (gestión remota del dispositivo)

Remote Device Management (gestión remota del dispositivo) o RDM, es un estándar que permite a los dispositivos con capacidad DMX una comunicación bidireccional por un cableado DMX existente. El Ovation H-55FC admite protocolo RDM, que posibilita información para supervisar cambiar las opciones del mapa de menú.

Funcionamiento inalámbrica

En condiciones óptimas, el Ovation H-55FC puede funcionar a una distancia de hasta 300 m (900 ft) del transmisor W-DMX. El receptor W-DMX de Ovation H-55FC tiene que estar emparejado con el transmisor W-DMX para el funcionamiento inalámbrica.

Configuración inicial

1. Encienda el transmisor W-DMX.
2. Conecte el transmisor W-DMX a un controlador DMX.
3. Sitúe el Ovation H-55FC a una distancia de hasta 300 m del transmisor W-DMX.
4. Desconecte cualquier cable DMX del Ovation H-55FC.
5. Encienda el Ovation H-55FC.

Configuración inalámbrica

Para configurar el modo inalámbrica, presione y mantenga presionado el botón al lado de las luces indicadoras.

Modo	Luces indicadores de inalámbrica	Descripción
APAGADO	Luces verdes / rojas apagadas	El aparato está apagado
MODO RECEPTOR	Luz verde intermitentes lentamente	En modo de receptor
	Luz roja apagada	Esperando conexión inalámbrica
	Luz roja encendida	Conectado con control W-DMX y hay una señal de entrada DMX
	Luz roja intermitentes lentamente	Conectado con control W-DMX pero no se detectó señal de entrada DMX
	Luz roja parpadeando rápidamente	Conectado al control W-DMX pero la señal es débil

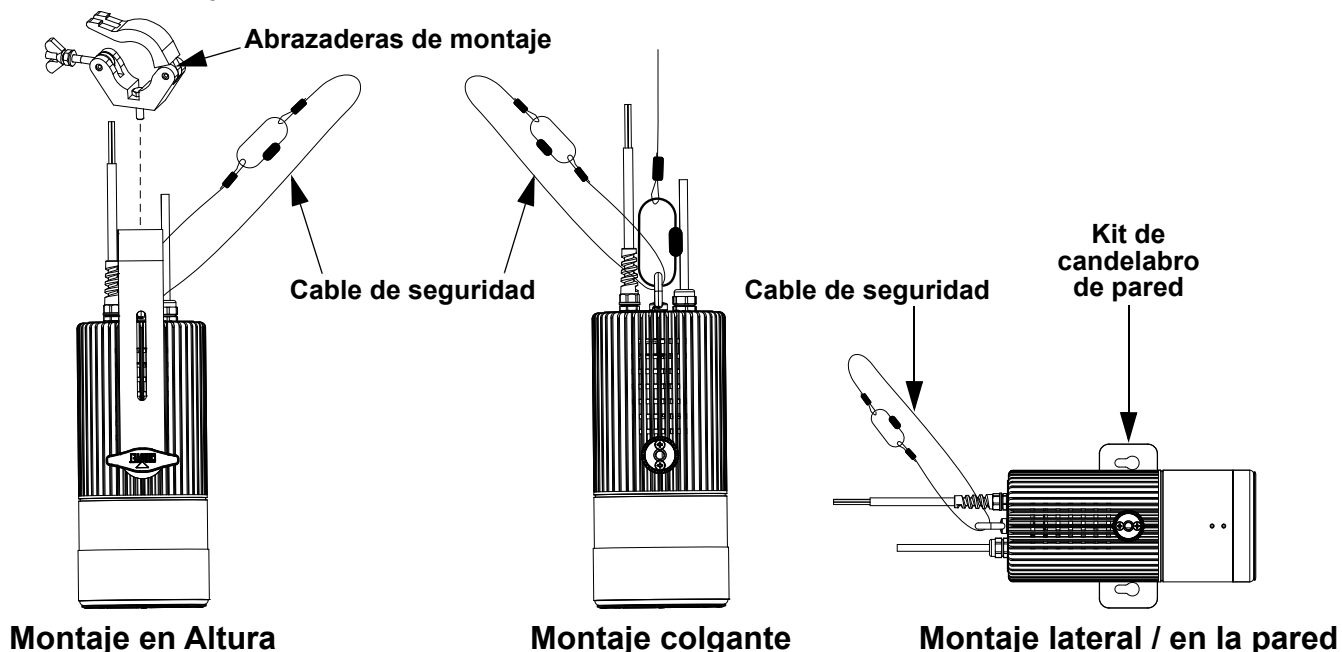


Masas líquidas entre el transmisor y el receptor, como agua, nieve o personas, pueden interrumpir o impedir el funcionamiento por W-DMX. Para mejores resultados, mantenga la zona entre el transmisor y el receptor sin ninguna masa líquida.

Montaje

Antes de montar este producto, lea las [Notas de Seguridad](#). Asegúrese de que las abrazaderas de montaje son capaces de soportar el peso del producto. Para nuestra línea Chauvet de abrazaderas de montaje, visite <http://trusst.com/productcategory/truss-clamps/>.

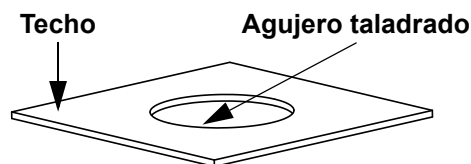
Diagrama de Montaje del Producto



Instrucciones de instalación para Houselight Recess Kit

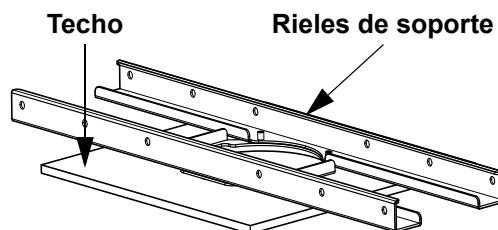
Las instrucciones para instalar Houselight Recess Kit con el Ovation H-55FC se pueden encontrar a continuación.

1. Taladre un agujero de 145–160 mm hole en el techo.

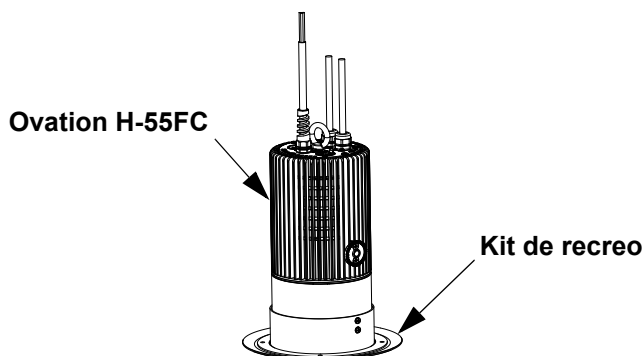


Asegúrese de que el techo pueda soportar el peso del aparato y del material que lo acompaña antes de instalar.

2. Fije los rieles de soporte al techo.

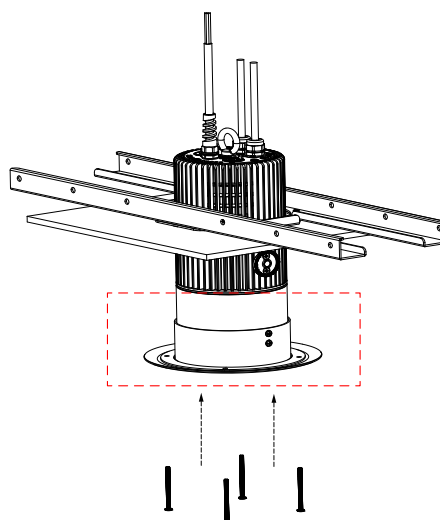


3. Fije el kit de receso al accesorio.



Cuando utilice el kit para empotrar, el aparato debe instalarse en el espacio del falso techo con suficiente espacio abierto para la ventilación. No está permitido instalarlo en espacios cerrados sin flujo de aire.

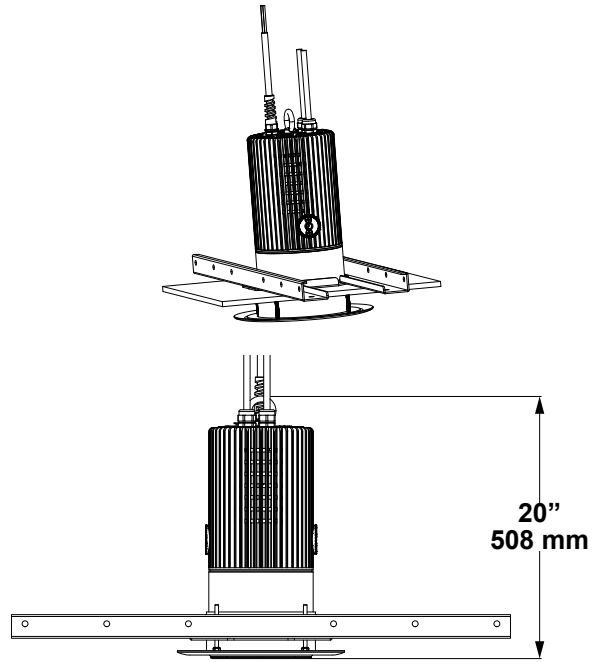
4. Fije el dispositivo al techo con tornillos M4 (x4).



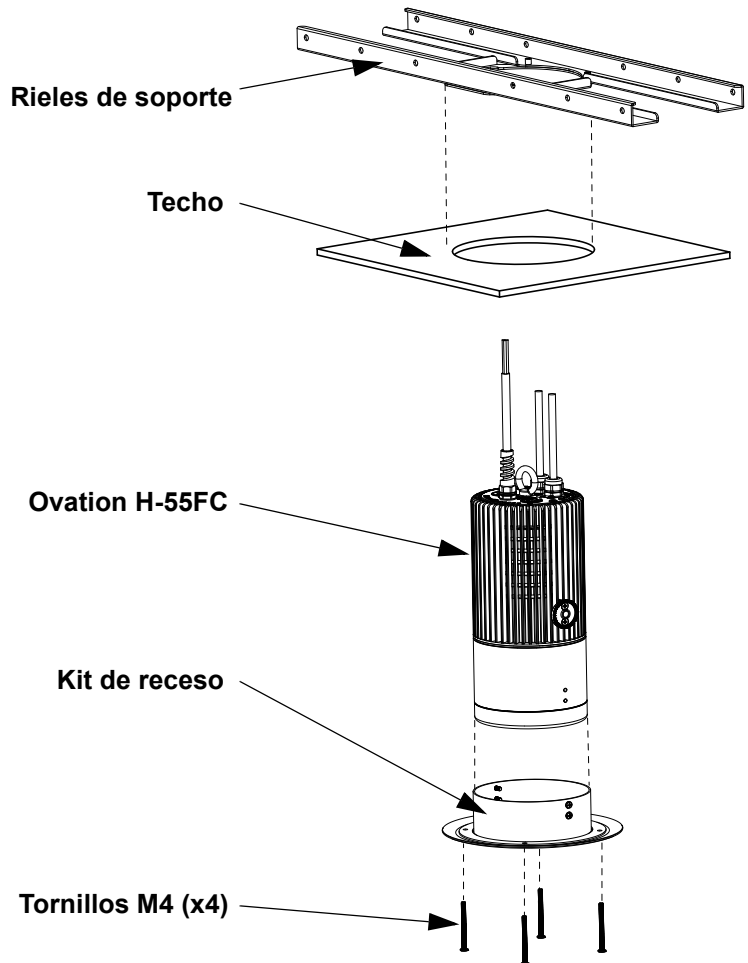
5. La configuración ha finalizado.



Se requiere una distancia de al menos 20 pulgadas (508 mm) desde la pared hasta el techo, en todas las direcciones, al instalar el kit de empotrar.



Vista despiezada de la instalación del accesorio



Rueda de Color Virtual (VCW)

El Ovation H-55FC incluye una función de rueda de color virtual llamada Virtual Color Wheel (VCW). Esta función está disponible como modo de control independiente para uso manual y también como canal de control en algunas personalidades DMX del dispositivo. Más de 30 colores premezclados, elaborados por nuestros ingenieros, están disponibles para facilitar la programación. Los valores DMX utilizados para mezclar estos colores se indican más abajo. Puede ajustar la intensidad general del dispositivo Ovation para reproducir más fielmente los colores a los que esté habituado. Hay un gráfico a su disposición en nuestro sitio web www.chauvetprofessional.com para comparar nuestros colores premezclados con los colores de gel más populares. Este gráfico sirve solamente para comparar y no implica que nuestros colores premezclados coincidan exactamente con los colores de gel listados.

Gráfico de rueda de color virtual (VCW)

Valores DMX	Color	Valor Rojo	Valor Verde	Valor Azul	Valor Ámbar	Valor Lime
000 ⇔ 005		000	000	000	000	000
006 ⇔ 013	C3050-Md Yellow	210	255	003	255	157
014 ⇔ 021	C3040-Lt Yellow	244	167	010	216	213
022 ⇔ 028	C3240-Amb Yellow	208	105	000	255	234
029 ⇔ 035	C2340-VLt Amber	254	049	026	255	255
036 ⇔ 043	C2040-Lt Amber	255	046	020	255	255
044 ⇔ 051	C2050-Md Amber	255	027	002	255	126
052 ⇔ 059	C2060-Dk Amber	255	008	002	255	098
060 ⇔ 067	C1050-Lt Red	255	021	003	000	000
068 ⇔ 075	C1080-Md Red	255	000	001	000	000
076 ⇔ 083	C1020-NC Pink	255	255	051	255	016
084 ⇔ 091	C1030-Md Pink	255	205	051	255	000
092 ⇔ 099	C1630-Dk Pink	255	148	060	255	214
100 ⇔ 107	C1250-Md Red Amber	255	000	008	255	004
108 ⇔ 115	C1060-Dk Red Amber	255	000	011	110	000
116 ⇔ 121	C1650-Magenta	255	052	050	255	041
122 ⇔ 130	C6170-Dk Magenta	255	000	075	034	000
131 ⇔ 138	C6020-Lt Lavender	090	117	077	255	255
139 ⇔ 146	C5030-Lt Blue	000	255	123	006	255
147 ⇔ 154	C5020-VLt Blue	023	255	126	061	255
155 ⇔ 162	C5430-Lt Blue2	000	255	116	000	255
163 ⇔ 170	C5070-Blue	000	255	139	000	033
171 ⇔ 178	C5050-Md Blue	000	255	128	048	033
179 ⇔ 186	C5060-Dk Blue	000	255	174	000	039
187 ⇔ 194	C5690-Indigo	002	024	255	055	001
195 ⇔ 202	C5080-VDk Blue	000	255	229	000	000
203 ⇔ 210	C5081-VdK Blue2	000	237	255	000	024
211 ⇔ 218	C4370-Yel Green	000	255	005	017	010
219 ⇔ 226	C4070-Green	042	255	010	010	001
227 ⇔ 234	C4550-Turquoise	000	255	046	016	255
235 ⇔ 242	C4560-Aqua	015	255	053	017	167
243 ⇔ 250	C4570-Blue Green	000	255	025	000	028
251 ⇔ 255		000	000	000	000	000



Los colores listados son interpretaciones simuladas de la emisión de color generada en comparación con otros productos incandescentes similares. Chauvet no garantiza la exactitud del color emitido.

Gráfico de temperaturas de color

Valores DMX	Temperatura de color	Valor Rojo	Valor Verde	Valor Azul	Valor Ámbar	Valor Lime
000 ⇔ 005		000	000	000	000	000
006 ⇔ 025	2800K	152	133	050	255	255
026 ⇔ 050	3000K	139	149	061	255	255
051 ⇔ 075	3200K	124	163	069	255	255
076 ⇔ 100	3500K	117	196	080	255	255
101 ⇔ 125	4000K	101	232	105	255	255
126 ⇔ 150	4500K	091	255	122	210	249
151 ⇔ 175	5000K	076	255	130	180	238
176 ⇔ 200	5600K	065	255	143	163	222
201 ⇔ 225	6000K	058	255	150	155	219
226 ⇔ 250	6500K	053	255	157	146	212
251 ⇔ 255		000	000	000	000	000



Las temperaturas de color que aparecen arriba son interpretaciones simuladas de la emisión de color producida cuando se compara con una lámpara de tungsteno a la temperatura de color especificada. Chauvet no garantiza la exactitud del color emitido.

Mapa de Menú

Consulte la página del producto Ovation H-55FC en www.chauvetprofessional.com para ver el último mapa de menú.



Se requiere RDM2go u otra interfaz compatible con RDM para la configuración del dispositivo.

Nivel Principal	Niveles de Programación	Descripción
DMX Address	1–512*	Selecciona la dirección de inicio (*canal más alto restringido a la elección de personalidad)
DMX Channel	3CH	3 canales: atenuador, VCW, temperatura de color
	5CH	5 canales: RGBAL
	7CH	7 canales: atenuador, RGBAL, estroboscopio
	10CH	10 canales: 16 bits atenuador, RGBAL, estroboscopio, VCW, temperatura de color
	12CH	12 canales: atenuador, RGBAL, estroboscopio, VCW, temperatura de color, programas automático y velocidad, control
	13CH	13 canales: 16 bits atenuador, 16 bits RGBAL
	16CH	16 canales: 16 bits atenuador, 16 bits RGBAL, estroboscopio, VCW, temperatura de color, control
	HSV	3 canales: tono, saturación, valor
Dimmer Curve	S-Curve	Curva-S
	Linear	Curva lineal
	Square	Curva cuadrado
	Inverse Square	Curva cuadrado inverso
Dimmer Mode	OFF	Atenuador instantánea
	Dimmer 1–3	Modos de atenuador 1 (rápido) a 3 (lento)
LED Frequency	600Hz	Selecciona la frecuencia de emisión PWM
	1200Hz	
	2000Hz	
	4000Hz	
	6000Hz	
Factory Default	25KHz	Reinicia a la configuración de fábrica
	No	
	Yes	

Nivel Principal	Niveles de Programación				Descripción
Specific PIDS	1	82C8	Clean All Data	0	No
				1	Si
	2	8218	Static-Red	0–255	Combina rojo, verde, azul, ámbar y lima para generar un color personalizado
	3	8219	Static-Green	0–255	
	4	8220	Static-Blue	0–255	
	5	8221	Static-Amber	0–255	
	6	8222	Static-Lime	0–255	
	7	8209	Auto Show	0–5	
	8	8210	Auto Speed	1–100	Establece el velocidad de programa
	9	8211	Master/Slave	0	Modo maestro
				1	Modo esclavo
	10	8212	W-DMX On/Off	0	W-DMX apagado
				1	W-DMX encendido
	11	8215	Receive Reset	0	No restablecer el receptor
				1	Restablecer el receptor
	12	8216	Emergency Mode	0	Modo de emergencia apagado
				1	Modo de emergencia encendido
	13	8200	White Balance-Red	125–255	Establece el valor máximo de LED rojo
14	8201	White Balance-Green	125–255	Establece el valor máximo de LED verde	
15	8202	White Balance-Blue	125–255	Establece el valor máximo de LED azul	
16	8204	White Balance-Amber	125–255	Establece el valor máximo de LED ámbar	
17	8205	White Balance-Lime	125–255	Establece el valor máximo de LED lima	
18	82BC	Red Shift	0	Cambio a rojo apagado	
			1	Cambio a rojo encendido	

**Valores DMX
HSV**

Canal	Función	Valor	Porcentaje/Configuración
1	Tono	000 ⇔ 255	0–100%
2	Saturación	000 ⇔ 255	0–100%
3	Valor	000 ⇔ 255	0–100%

16Ch

Canal	Función	Valor	Porcentaje/Configuración
1	Atenuador	000 ⇔ 255	0–100%
2	Atenuador fino	000 ⇔ 255	0–100% (16 bits)
3	Rojo	000 ⇔ 255	0–100%
4	Rojo fino	000 ⇔ 255	0–100% (16 bits)
5	Verde	000 ⇔ 255	0–100%
6	Verde fino	000 ⇔ 255	0–100% (16 bits)
7	Azul	000 ⇔ 255	0–100%
8	Azul fino	000 ⇔ 255	0–100% (16 bits)
9	Ámbar	000 ⇔ 255	0–100%

Canal	Función	Valor	Porcentaje/Configuración
10	Ambar fino	000 ⇔ 255	0–100% (16 bits)
11	Lima	000 ⇔ 255	0–100%
12	Lima fino	000 ⇔ 255	0–100% (16 bits)
13	Estroboscopio	000 ⇔ 010	Sin función
		011 ⇔ 255	Estroboscopio, lento a rápido
14	Rueda de color virtual	000 ⇔ 255	Consulte la sección Gráfico de rueda de color virtual (VCW)
15	Temperatura de color	000 ⇔ 255	Consulte la sección Gráfico de temperaturas de color
16	Control (mantenga para 3 segundos)	000 ⇔ 007	Sin función
		008 ⇔ 015	Reiniciar el atenuador
		016 ⇔ 023	Cambio a rojo apagado
		024 ⇔ 031	Cambio a rojo encendido
		032 ⇔ 039	Curva de atenuador curva-S
		040 ⇔ 047	Curva de atenuador lineal
		048 ⇔ 055	Curva de atenuador cuadrado
		056 ⇔ 063	Curva atenuador cuadrado inverso
		064 ⇔ 071	Modo velocidad del atenuador desactivado
		072 ⇔ 079	Velocidad de atenuador 1 (rápida)
		080 ⇔ 087	Velocidad de atenuador 2
088 ⇔ 095	Velocidad de atenuador 3 (lenta)		
		096 ⇔ 255	Reservado para utilización futura

13Ch

Canal	Función	Valor	Porcentaje/Configuración
1	Atenuador	000 ⇔ 255	0–100%
2	Atenuador fino	000 ⇔ 255	0–100% (16 bits)
3	Rojo	000 ⇔ 255	0–100%
4	Rojo fino	000 ⇔ 255	0–100% (16 bits)
5	Verde	000 ⇔ 255	0–100%
6	Verde fino	000 ⇔ 255	0–100% (16 bits)
7	Azul	000 ⇔ 255	0–100%
8	Azul fino	000 ⇔ 255	0–100% (16 bits)
9	Ámbar	000 ⇔ 255	0–100%
10	Ámbar fino	000 ⇔ 255	0–100% (16 bits)
11	Lima	000 ⇔ 255	0–100%
12	Lima fino	000 ⇔ 255	0–100% (16 bits)
13	Estroboscopio	000 ⇔ 010	Sin función
		011 ⇔ 255	Estroboscopio, lento a rápido

12Ch

Canal	Función	Valor	Porcentaje/Configuración
1	Atenuador	000 ⇔ 255	0–100%
2	Rojo	000 ⇔ 255	0–100%
3	Verde	000 ⇔ 255	0–100%
4	Azul	000 ⇔ 255	0–100%
5	Ámbar	000 ⇔ 255	0–100%
6	Lima	000 ⇔ 255	0–100%
7	Estroboscopio	000 ⇔ 010	Sin función
		011 ⇔ 255	Estroboscopio, lento a rápido
8	Rueda de color virtual	000 ⇔ 255	Consulte la sección Gráfico de rueda de color virtual (VCW)
9	Temperatura de color	000 ⇔ 255	Consulte la sección Gráfico de temperaturas de color

ES

Canal	Función	Valor	Porcentaje/Configuración
10	Programas automáticos	000 ⇔ 010	Sin función
		011 ⇔ 060	Programa automático 1
		061 ⇔ 110	Programa automático 2
		111 ⇔ 160	Programa automático 3
		161 ⇔ 210	Programa automático 4
		211 ⇔ 255	Programa automático 5 (Programas automáticos 1-4)
11	Velocidad de programa	000 ⇔ 255	Velocidad de programa automático, lento a rápido
12	Control (mantenga para 3 segundos)	000 ⇔ 007	Sin función
		008 ⇔ 015	Reiniciar el atenuador
		016 ⇔ 023	Cambio a rojo apagado
		024 ⇔ 031	Cambio a rojo encendido
		032 ⇔ 039	Curva de atenuador curva-S
		040 ⇔ 047	Curva de atenuador lineal
		048 ⇔ 055	Curva de atenuador cuadrado
		056 ⇔ 063	Curva atenuador cuadrado inverso
		064 ⇔ 071	Modo velocidad del atenuador desactivado
		072 ⇔ 079	Velocidad de atenuador 1 (rápida)
		080 ⇔ 087	Velocidad de atenuador 2
		088 ⇔ 095	Velocidad de atenuador 3 (lenta)
		096 ⇔ 255	Reservado para utilización futura

10Ch

Canal	Función	Valor	Porcentaje/Configuración
1	Atenuador	000 ⇔ 255	0–100%
2	Atenuador fino	000 ⇔ 255	0–100% (16 bits)
3	Rojo	000 ⇔ 255	0–100%
4	Verde	000 ⇔ 255	0–100%
5	Azul	000 ⇔ 255	0–100%
6	Ámbar	000 ⇔ 255	0–100%
7	Lima	000 ⇔ 255	0–100%
8	Estroboscopio	000 ⇔ 010	Sin función
		011 ⇔ 255	Estroboscopio, lento a rápido
9	Rueda de color virtual	000 ⇔ 255	Consulte la sección Gráfico de rueda de color virtual (VCW)
10	Temperatura de color	000 ⇔ 255	Consulte la sección Gráfico de temperaturas de color

7Ch

Canal	Función	Valor	Porcentaje/Configuración
1	Atenuador	000 ⇔ 255	0–100%
2	Rojo	000 ⇔ 255	0–100%
3	Verde	000 ⇔ 255	0–100%
4	Azul	000 ⇔ 255	0–100%
5	Ámbar	000 ⇔ 255	0–100%
6	Lima	000 ⇔ 255	0–100%
7	Estroboscopio	000 ⇔ 010	Sin función
		011 ⇔ 255	Estroboscopio, lento a rápido

5Ch

Canal	Función	Valor	Porcentaje/Configuración
1	Rojo	000 ⇔ 255	0–100%
2	Verde	000 ⇔ 255	0–100%
3	Azul	000 ⇔ 255	0–100%
4	Ámbar	000 ⇔ 255	0–100%
5	Lima	000 ⇔ 255	0–100%

3Ch

Canal	Función	Valor	Porcentaje/Configuración
1	Atenuador	000 ⇔ 255	0–100%
2	Rueda de color virtual	000 ⇔ 255	Consulte la sección Gráfico de rueda de color virtual (VCW)
3	Temperatura de color	000 ⇔ 255	Consulte la sección Gráfico de temperaturas de color

Especificaciones Técnicas
Dimensiones y peso

Longitud	Anchura	Altura	Peso
334 mm (13,14")	176 mm (6,92")	115 mm (4,52")	3,4 kg (7,4 lb)

Nota: las dimensiones en pulgadas están redondeadas.

Alimentación

Tipo de fuente de alimentación	Rango	Selección de tensión	
Conmutación (interna)	100–240 VCA, 50/60 Hz	Detección automática (autorango)	
Parámetro	120 V, 60 Hz	208 V, 60 Hz	230 V, 50 Hz
Consumo	62 W	64 W	64 W
Corriente de funcionamiento	0,541 A	0,308 A	0,278 A
Fusibles	T2 A, 250 V	T2 A, 250 V	T2 A, 250 V
E/S alimentación	US/Canadá	UK/Mundial	
Cable de alimentación fijo	Cable pelado	Cable pelado	

Fuente de Luz

Tipo	Color	Cantidad	Alimentación	Intensidad	Duración
LED	Rojo	6	2,62–5,25 W	840 mA	50.000 horas
	Verde	6			
	Azul	6			
	Ámbar	4			
	Lima	4			

Fotometría

Filtro/Lente	Ángulo de haz	Ángulo de campo	Iluminancia @ 5 m
80° filtro	46,1°	76,8°	152 lux
65° lente	63,3°	86,9°	115 lux
45° lente	38,8°	78,4°	173 lux
25° lente	24,7°	46,7°	430 lux

Térmico

Temp. externa mínima	Temp. externa máxima	Refrigeración
-4 °F (-20 °C)	113 °F (45 °C)	Convección

DMX

Conectores E/S	Rango de canal
XLR 5 pines, W-DMX	3Ch, 5Ch, 7Ch, 10Ch, 12Ch, 13Ch, 16Ch o HSV

Pedidos

Descripción de producto	Nombre del producto	Código de artículo	Número UPC
Ovation H-55FC (negro)	OVATIONH55FCBLK	03031727	781462220754
Ovation H-55FC (blanco)	OVATIONH55FCWHT	03031726	781462220747

À Propos de ce Manuel

Le Manuel de Référence du Ovation H-55FC (MdR) reprend des informations de base sur cet appareil notamment en matière de connexions, montage, options de menu et valeurs DMX.

Clause de Non-Responsabilité

Les informations et caractéristiques contenues dans ce manuel sont sujettes à changement sans préavis.

GARANTIE LIMITÉE

VEUILLEZ VISITER NOTRE SITE INTERNET POUR CONSULTER LES MODALITÉS D'ENREGISTREMENT DE LA GARANTIE ET LES CONDITIONS GÉNÉRALES COMPLÈTES.

Pour les clients aux États-Unis et au Mexique: www.chauvetlighting.com/warranty-registration.

Pour les clients du Royaume-Uni, de la République d'Irlande, de la Belgique, des Pays-Bas, du Luxembourg, de la France et de l'Allemagne: www.chauvetlighting.eu/warranty-registration.

Chauvet garantit que cet appareil est exempt de défauts de matériaux et de fabrication dans des conditions normales d'utilisation, pendant la période spécifiée dans la garantie limitée complète consultable sur notre site Internet et sous réserve des exclusions et limitations qui y sont énoncées. Cette garantie ne s'applique qu'à l'acheteur initial du produit et n'est pas transférable. Pour exercer les droits prévus par cette garantie, vous devez fournir une preuve d'achat sous la forme d'un reçu de vente original d'un revendeur autorisé qui indique le nom du produit et la date d'achat. IL N'EXISTE AUCUNE AUTRE GARANTIE EXPRESSE OU IMPLICITE. Cette garantie vous confère des droits légaux spécifiques. Vous pouvez également bénéficier d'autres droits qui varient selon les états et les pays. Cette garantie n'est valable qu'aux États-Unis, au Royaume-Uni, en République d'Irlande, en Belgique, aux Pays-Bas, au Luxembourg, en France, en Allemagne et au Mexique. Pour connaître les conditions de garantie dans d'autres pays, veuillez consulter votre revendeur local.

Consignes de Sécurité

- Cet appareil doit être positionné de manière à ce que la source de lumière soit à plus de 8 m des yeux.
- Remplacez les câbles endommagés UNIQUEMENT par des câbles identiques, ou l'équivalent, disponibles auprès du fabricant ou de son revendeur.
- La source lumineuse contenue dans ce produit ne doit être remplacée que par le fabricant, son revendeur ou un technicien ayant une qualification similaire.
- Ce produit est destiné à un usage professionnel uniquement.
- N'ouvrez PAS cet appareil. Il ne contient aucun composant susceptible d'être réparé par l'utilisateur.
- Durant les périodes de non-utilisation, pour éviter tout usure inutile et pour prolonger la durée de vie, déconnectez-entièrement l'appareil en le débranchant de l'alimentation électrique ou en coupant le disjoncteur.
- Ne regardez PAS la source lumineuse lorsque l'appareil fonctionne.
- ATTENTION : le boîtier de cet appareil est brûlant lors du fonctionnement.
- Montez toujours cet appareil dans un endroit bien ventilé, à au moins, 20 pouces (50 cm) des surfaces adjacentes.
- Ne laissez AUCUNE source inflammable dans un rayon de 50 cm de l'appareil lorsque celui-ci fonctionne.
- Attention : Lorsque l'appareil est transféré d'un environnement à température extrême à un autre (par exemple d'un camion froid vers une salle de bal chaude et humide), de la condensation peut se former sur les composants électriques internes. Pour éviter de causer des dommages, laissez l'appareil s'acclimater entièrement au milieu environnant avant de le mettre sous tension.
- Utilisez TOUJOURS un câble de sécurité lorsque vous montez cet appareil en hauteur.
- N'utilisez PAS cet appareil en extérieur ou tout autre endroit où de la poussière, une chaleur excessive, de l'eau ou de l'humidité pourrait en affecter le fonctionnement. (IP20)
- N'utilisez PAS cet appareil si le boîtier, les lentilles ou les câbles vous semblent endommagés.
- Ne connectez PAS cet appareil ni à un gradateur ni à un rhéostat.
- Connectez UNIQUEMENT cet appareil à un circuit protégé et relié à la terre.
- Transportez/Suspendez cet appareil UNIQUEMENT par le support de montage dont il est doté.
- En cas de sérieux problèmes de fonctionnement, arrêtez le système immédiatement.
- La température ambiante maximale supportée par ce produit est de 113 °F (45 °C). Ne le faites pas fonctionner à des températures plus élevées.
- La température de démarrage minimale est de -20°C (-4°F). Ne pas démarrer l'appareil à des températures plus basses.

Conformité FCC

Cet appareil est conforme à la partie 15, sous-partie B du règlement de la FCC. L'utilisation est soumise aux deux conditions suivantes :

1. Cet appareil ne doit pas causer d'interférences nuisibles, et
2. Cet appareil doit accepter toutes les interférences reçues, y compris celles pouvant entraîner un fonctionnement indésirable.

Tout changement ou modification non expressément approuvé par l'autorité responsable de la conformité pourrait annuler le droit de l'utilisateur à utiliser l'équipement.

Avertissement à l'exposition aux fréquences radio pour l'Amérique du Nord et l'Australie

Attention ! Cet équipement est conforme aux limites de la FCC d'exposition aux radiations définies pour un environnement non contrôlé. Cet équipement doit être installé et utilisé à une distance minimale de 20 cm entre le radiateur et votre corps. Cet émetteur ne doit pas être installé ou fonctionner conjointement avec une autre antenne ou un autre émetteur.

Contact

En dehors des États-Unis, du Royaume-Uni, de l'Irlande, du Benelux, de la France, de l'Allemagne, ou du Mexique, contactez votre fournisseur si vous avez besoin d'assistance ou pour retourner un appareil. Référez-vous à [Contact Us](#) à la fin de ce MdR pour obtenir des informations pour nous contacter.

Ce Qui est Inclus

- Ovation H-55FC
- Lentilles 65°, 40° et 25°
- Filtre 80 °
- Coussin alvéolé
- Kit d'encastrement et kit d'applique
- Manuel de Référence

Alimentation CA

Cet appareil est doté d'une alimentation universelle prenant en charge toute tension d'entrée comprise entre 100 et 240 VCA, 50/60 Hz.

Prise CA

Connexion	Câble (États-Unis)	Câble (Europe)	Couleur de la vis
Conducteur CA	Noir	Marron	Jaune/Cuivré
Neutre CA	Blanc	Bleu	Argenté
Terre CA	Vert/Jaune	Vert/Jaune	Vert



Durant les périodes de non-utilisation, pour éviter toute usure inutile et pour prolonger la durée de vie, déconnectez-entièrement l'appareil en le débranchant de l'alimentation électrique ou en coupant le disjoncteur.

Remplacement du Fusible

1. Débranchez l'appareil de l'alimentation.
2. À l'aide d'un tournevis à tête plate, dévissez le couvercle du porte-fusible du boîtier.
3. Retirez le fusil obsolète et remplacez-le par un fusible en bon état de même type et ampérage.
4. Revissez le couvercle du porte-fusible et rebranchez l'unité.

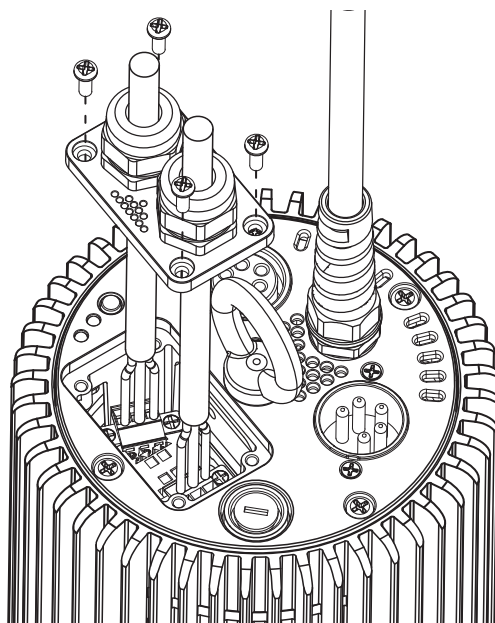
Raccordement DMX

Le Ovation H-55FC fonctionnera avec une console DMX au moyen d'une connexion sans fil, câblée ou DMX série à 5 broches. Une introduction au DMX est à votre disposition sur www.chauvetprofessional.com.

Connexion DMX

Le Ovation H-55FC utilise une connexion de données DMX pour ses personnalités DMX: **3Ch, 5Ch, 7Ch, 10Ch, 12Ch, 13Ch, 16Ch** et **HSV**.

Schéma de câblage DMX



Connexion Maître/ Esclave

Le Ovation H-55FC utilise une connexion de données DMX pour son mode Maître/Esclave.

RDM (Gestion des périphériques à distance)

Le protocole RDM (gestion des périphériques à distance) est un standard pour la communication bidirectionnelle des appareils dotés de fonctions DMX dans un câblage DMX existant. Le Ovation H-55FC supporte le protocole RDM permettant un retour d'information pour la surveillance et des changements des options de menu.

Fonctionnement sans fil

Dans des conditions optimales, l'Ovation H-55FC peut fonctionner jusqu'à 300 m de l'émetteur W-DMX. Le récepteur W-DMX de l'Ovation H-55FC doit être associé à l'émetteur W-DMX pour un fonctionnement sans fil.

Configuration initiale

1. Allumez l'émetteur W-DMX.
2. Connectez l'émetteur W-DMX au contrôleur DMX.
3. Placez le Ovation H-55FC à moins de 300 m de l'émetteur W-DMX.
4. Débranchez tous les câbles DMX branches sur le Ovation H-55FC.
5. Allumez le Ovation H-55FC.

Configuration sans fil

Pour configurer le mode sans fil, appuyez et maintenez le bouton à côté des voyants lumineux.

Mode	Voyant sans fil	Description
ÉTEINDRE	Feux verts et rouges éteints	Le luminaire est éteint
MODE DE RÉCEPTION	La lumière verte clignote lentement	En mode de réception
	Lumière rouge éteinte	En attente de connexion sans fil
	Lumière rouge allumé	Connecté avec W-DMX Control et il y a un signal d'entrée DMX
	La lumière rouge clignote lentement	Connecté avec W-DMX Control mais aucun signal d'entrée DMX détecté
	La lumière rouge clignote rapidement	Connecté au contrôle W-DMX mais le signal est faible

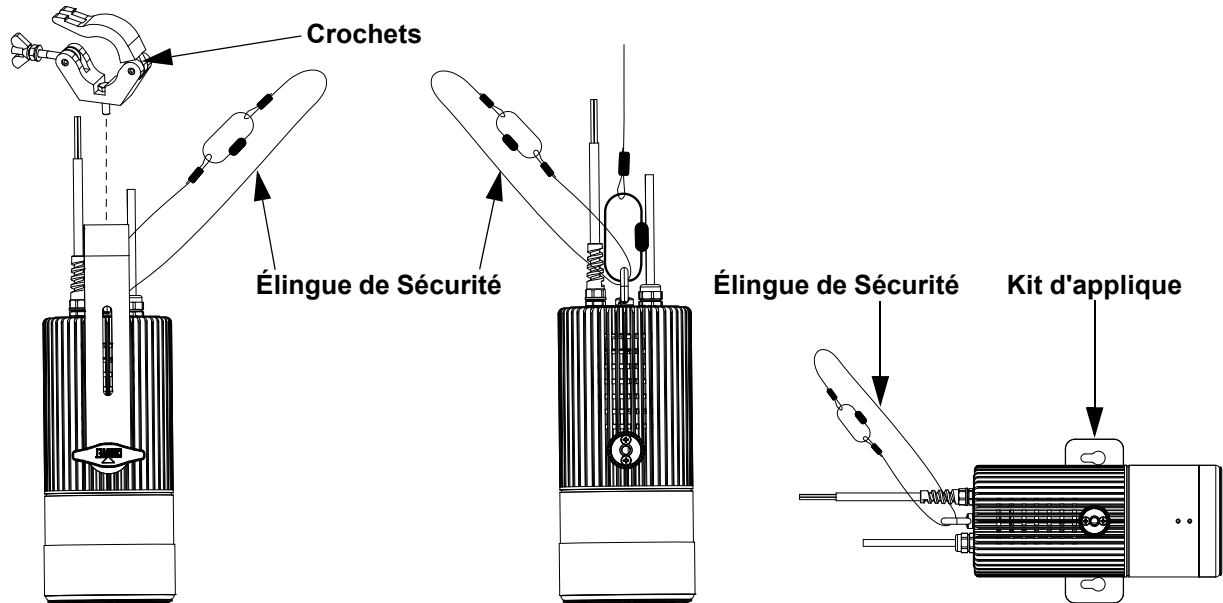


Le fonctionnement W-DMX peut être interrompu ou inhibé par des masses de liquides entre l'émetteur et le récepteur, comme par exemple de l'eau, de la neige ou des personnes. Pour de meilleurs résultats, assurez-vous que la zone située entre l'émetteur et le récepteur soit exempte de toute masse liquide.

Installation

Avant de monter cet appareil, lisez et assimilez les [Consignes de Sécurité](#). Soyez sûr que les crochets sont capables de supporter le poids du produit. Pour voir notre gamme de crochets, rendez-vous sur <http://trusst.com/productcategory/truss-clamps>.

Schéma de Montage de l'Appareil



Montage en Hauteur

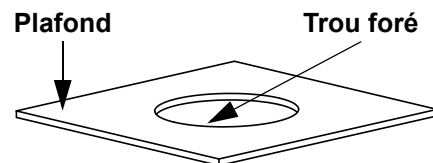
Montage suspendu

Montage Latéral / Mural

Instructions d'installation pour Houselight Recess Kit

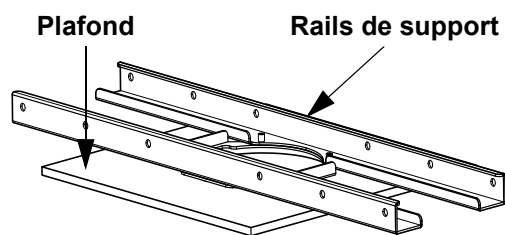
Vous trouverez ci-dessous les instructions d'installation du kit de montage Houselight avec la Ovation H-55FC.

1. Percer un trou de 145–160 mm au plafond.

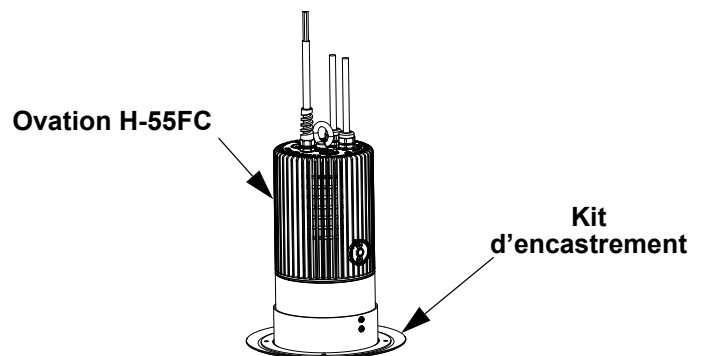


Assurez-vous que le plafond peut supporter le poids de l'appareil et de ses accessoires avant l'installation.

2. Fixez les rails de support au plafond.



3. Fixez le kit d'encastement à l'appareil.

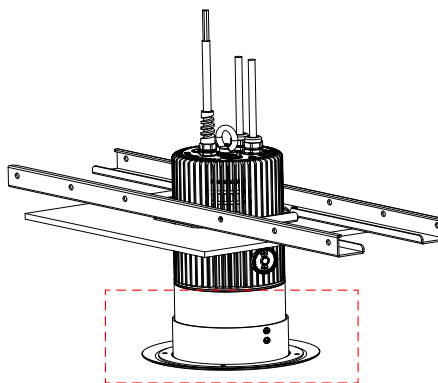


FR

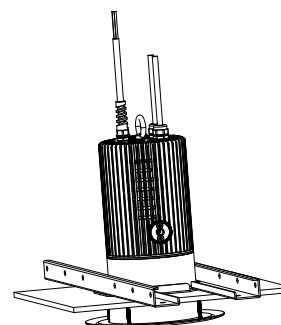


Lors de l'utilisation du kit d'encastrement, le luminaire doit être installé dans un plénum avec un espace libre suffisant pour la ventilation. L'installation dans des espaces confinés sans circulation d'air n'est pas autorisée.

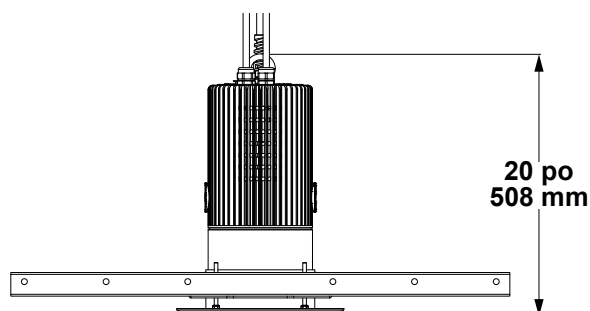
4. Fixez le luminaire au plafond à l'aide de 4 vis M4.



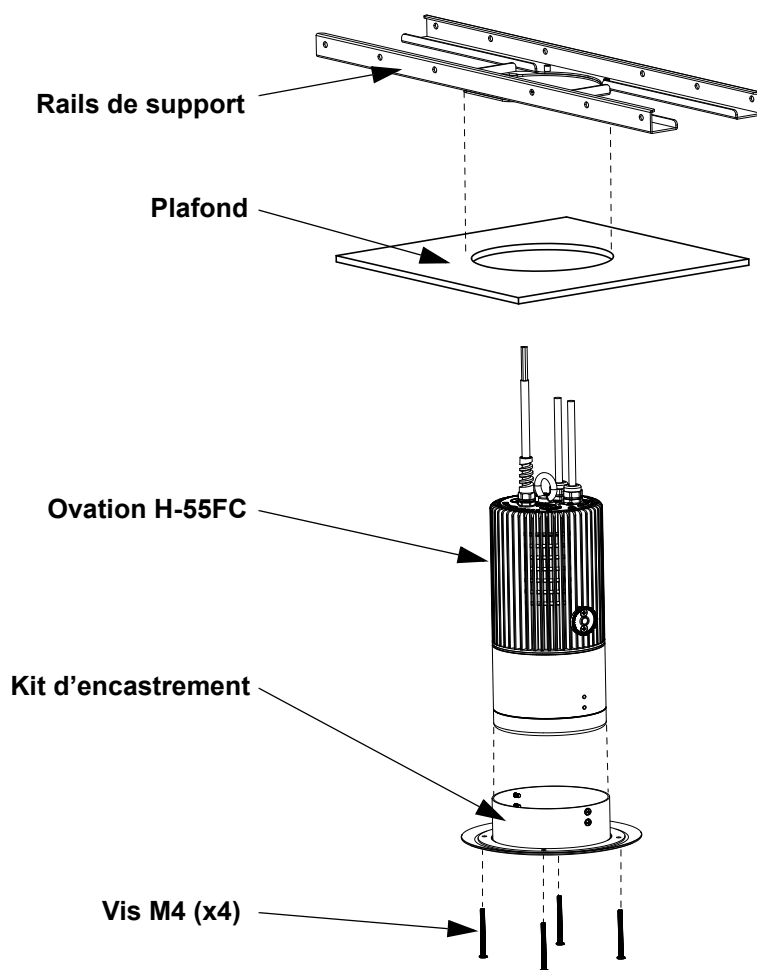
5. L'installation est fini.



Une distance d'au moins 20 po (508 mm) du mur au plafond, dans toutes les directions, est requise lors de l'installation du kit d'encastrement.



Vue éclatée de l'installation du luminaire



Roue de Couleurs Virtuelles (VCW)

Le Ovation H-55FC dispose d'une fonction appelée Roue de Couleur Virtuelle (VCW - Virtual Color Wheel). Cette fonction est disponible en mode de contrôle autonome pour une utilisation manuelle mais également en tant que canal de contrôle dans certaines personnalités DMX. Plus de 30 couleurs pré-mélangées, personnalisées par nos ingénieurs, sont disponibles pour faciliter la programmation. Les valeurs DMX utilisées pour mélanger ces couleurs sont indiquées ci-dessous. Vous pouvez ajuster l'intensité globale du Ovation afin de reproduire plus fidèlement les couleurs que vous avez l'habitude d'utiliser. Un graphique est disponible sur notre site Web à l'adresse www.chauvetprofessional.com pour comparer nos couleurs pré-mélangées avec des couleurs de gel populaires. Ce tableau est fourni uniquement à des fins de comparaison et ne certifie pas que nos couleurs pré-mélangées correspondent aux couleurs de gel énumérées.

Gamme de roue de couleurs virtuelles (VCW)

Valeur DMX	Couleur	Valeur Rouge	Valeur Vert	Valeur Bleu	Valeur Ambre	Valeur Lime
000 ⇔ 005		000	000	000	000	000
006 ⇔ 013	C3050-Md Yellow	210	255	003	255	157
014 ⇔ 021	C3040-Lt Yellow	244	167	010	216	213
022 ⇔ 028	C3240-Amb Yellow	208	105	000	255	234
029 ⇔ 035	C2340-VLt Amber	254	049	026	255	255
036 ⇔ 043	C2040-Lt Amber	255	046	020	255	255
044 ⇔ 051	C2050-Md Amber	255	027	002	255	126
052 ⇔ 059	C2060-Dk Amber	255	008	002	255	098
060 ⇔ 067	C1050-Lt Red	255	021	003	000	000
068 ⇔ 075	C1080-Md Red	255	000	001	000	000
076 ⇔ 083	C1020-NC Pink	255	255	051	255	016
084 ⇔ 091	C1030-Md Pink	255	205	051	255	000
092 ⇔ 099	C1630-Dk Pink	255	148	060	255	214
100 ⇔ 107	C1250-Md Red Amber	255	000	008	255	004
108 ⇔ 115	C1060-Dk Red Amber	255	000	011	110	000
116 ⇔ 121	C1650-Magenta	255	052	050	255	041
122 ⇔ 130	C6170-Dk Magenta	255	000	075	034	000
131 ⇔ 138	C6020-Lt Lavender	090	117	077	255	255
139 ⇔ 146	C5030-Lt Blue	000	255	123	006	255
147 ⇔ 154	C5020-VLt Blue	023	255	126	061	255
155 ⇔ 162	C5430-Lt Blue2	000	255	116	000	255
163 ⇔ 170	C5070-Blue	000	255	139	000	033
171 ⇔ 178	C5050-Md Blue	000	255	128	048	033
179 ⇔ 186	C5060-Dk Blue	000	255	174	000	039
187 ⇔ 194	C5690-Indigo	002	024	255	055	001
195 ⇔ 202	C5080-VDk Blue	000	255	229	000	000
203 ⇔ 210	C5081-VdK Blue2	000	237	255	000	024
211 ⇔ 218	C4370-Yel Green	000	255	005	017	010
219 ⇔ 226	C4070-Green	042	255	010	010	001
227 ⇔ 234	C4550-Turquoise	000	255	046	016	255
235 ⇔ 242	C4560-Aqua	015	255	053	017	167
243 ⇔ 250	C4570-Blue Green	000	255	025	000	028
251 ⇔ 255		000	000	000	000	000



Les couleurs ci-dessus sont des rendus simulés de couleurs produits sur base des couleurs émises par les appareils à incandescence. Chauvet ne peut garantir l'exactitude du rendu d'une couleur.

Gamme des températures de couleur

Valeur DMX	Température de couleur	Valeur Rouge	Valeur Vert	Valeur Bleu	Valeur Ambre	Valeur Lime
000 ⇔ 005		000	000	000	000	000
006 ⇔ 025	2800K	152	133	050	255	255
026 ⇔ 050	3000K	139	149	061	255	255
051 ⇔ 075	3200K	124	163	069	255	255
076 ⇔ 100	3500K	117	196	080	255	255
101 ⇔ 125	4000K	101	232	105	255	255
126 ⇔ 150	4500K	091	255	122	210	249
151 ⇔ 175	5000K	076	255	130	180	238
176 ⇔ 200	5600K	065	255	143	163	222
201 ⇔ 225	6000K	058	255	150	155	219
226 ⇔ 250	6500K	053	255	157	146	212
251 ⇔ 255		000	000	000	000	000



Les températures de couleur ci-dessus sont des rendus simulés de la sortie de couleur effectivement générée par comparaison avec une lampe tungstène à la température de couleur spécifiée. Chauvet ne donne aucune garantie sur la précision de la sortie de couleur.

Plan du Menu

Reportez-vous à la page du produit Ovation H-55FC sur www.chauvetprofessional.com pour la dernière carte des menu.



RDM2go, ou une autre interface compatible RDM, est nécessaire pour la configuration de l'appareil.

Menu Principal	Niveaux de Programmation	Description
DMX Address	1–512*	Permet de sélectionner l'adresse de démarrage (*le canal le plus élevé est restreint à la personnalité choisie)
DMX Channel	3CH	3 canaux: gradateur, VCW, température de couleur
	5CH	5 canaux: RGBAL
	7CH	7 canaux: gradateur, RGBAL, stroboscope
	10CH	10 canaux: gradateur 16-bit, RGBAL, stroboscope, VCW, température de couleur
	12CH	12 canaux: gradateur, RGBAL, stroboscope, VCW, température de couleur, programmes automatiques et vitesse, contrôle
	13CH	13 canaux: gradateur 16-bit, RGBAL 16-bit
	16CH	16 canaux: gradateur 16-bit, RGBAL 16-bit, stroboscope, VCW, température de couleur, contrôle
	HSV	3 canaux: teint, saturation, valeur
Dimmer Curve	S-Curve	Courbe S-courbe
	Linear	Courbe linéaire
	Square	Courbe carrée
	Inverse Square	Courbe carrée inverse
Dimmer Mode	OFF	Gradateur instantané
	Dimmer 1–3	Mode gradateur 1 (rapide) à 4 (lent)
LED Frequency	600Hz	Permet de sélectionner la fréquence de sortie MLI
	1200Hz	
	2000Hz	
	4000Hz	
	6000Hz	
Factory Default	25KHz	Permet de réinitialiser aux valeurs par défaut d'usine
	No	
	Yes	

Menu Principal	Niveaux de Programmation				Description
Specific PIDS	1	82C8	Clean All Data	0	Non
				1	Oui
	2	8218	Static-Red	0–255	Combine les couleurs rouge, vert, bleu, ambre et lime pour un résultat personnalisé
	3	8219	Static-Green	0–255	
	4	8220	Static-Blue	0–255	
	5	8221	Static-Amber	0–255	
	6	8222	Static-Lime	0–255	
	7	8209	Auto Show	0–5	
	8	8210	Auto Speed	1–100	Définit la vitesse du programme
	9	8211	Master/Slave	0	Mode maître
				1	Mode esclave
	10	8212	W-DMX On/Off	0	W-DMX désactive
				1	W-DMX active
	11	8215	Receive Reset	0	Ne pas réinitialiser le récepteur
				1	Réinitialiser le récepteur
	12	8216	Emergency Mode	0	Mode d'urgence désactive
				1	Mode d'urgence active
	13	8200	White Balance-Red	125–255	Définit la valeur maximale de LED rouge
14	8201	White Balance-Green	125–255	Définit la valeur maximale de LED verte	
15	8202	White Balance-Blue	125–255	Définit la valeur maximale de LED bleue	
16	8204	White Balance-Amber	125–255	Définit la valeur maximale de LED ambre	
17	8205	White Balance-Lime	125–255	Définit la valeur maximale de LED lime	
18	82BC	Red Shift	0	Décalage rouge désactivé	
			1	Décalage rouge activé	

DMX Valeurs

HSV

Canal	Fonction	Valeur	Pourcentage/Configuration
1	Teinte	000 ⇔ 255	0–100%
2	Saturation	000 ⇔ 255	0–100%
3	Valeur	000 ⇔ 255	0–100%

16Ch

Canal	Fonction	Valeur	Pourcentage/Configuration
1	Gradateur	000 ⇔ 255	0–100%
2	Gradateur fin	000 ⇔ 255	0–100% (16-bit)
3	Rouge	000 ⇔ 255	0–100%
4	Rouge fin	000 ⇔ 255	0–100% (16-bit)
5	Vert	000 ⇔ 255	0–100%
6	Vert fin	000 ⇔ 255	0–100% (16-bit)
7	Bleu	000 ⇔ 255	0–100%
8	Bleu fin	000 ⇔ 255	0–100% (16-bit)
9	Ambre	000 ⇔ 255	0–100%
10	Ambre fin	000 ⇔ 255	0–100% (16-bit)
11	Lime	000 ⇔ 255	0–100%

Canal	Fonction	Valeur	Pourcentage/Configuration
12	Lime fin	000 ⇔ 255	0–100% (16-bit)
13	Stroboscope	000 ⇔ 010 011 ⇔ 255	Pas de fonction Stroboscope, lent à rapide
14	VCW	000 ⇔ 255	Consultez la section Gamme de roue de couleurs virtuelles (VCW)
15	Températures de couleur	000 ⇔ 255	Consultez la section Gamme des températures de couleur
16	Contrôle (maintenez pendant 3 secondes)	000 ⇔ 007	Pas de fonction
		008 ⇔ 015	Réinitialisation du gradateur
		016 ⇔ 023	Décalage rouge activé
		024 ⇔ 031	Décalage rouge désactivé
		032 ⇔ 039	Courbe de gradateur S-courbe
		040 ⇔ 047	Courbe de gradateur linéaire
		048 ⇔ 055	Courbe de gradation carrée
		056 ⇔ 063	Courbe de gradation carrée inverse
		064 ⇔ 071	Arrêt du mode de vitesse d'assombrissement
		072 ⇔ 079	Mode 1 de vitesse d'assombrissement (rapide)
		080 ⇔ 087	Mode 2 de vitesse d'assombrissement
088 ⇔ 095	Mode 3 de vitesse d'assombrissement (lente)		
096 ⇔ 255	Réservé pour une utilisation future		

13Ch

Canal	Fonction	Valeur	Pourcentage/Configuration
1	Gradateur	000 ⇔ 255	0–100%
2	Gradateur fin	000 ⇔ 255	0–100% (16-bit)
3	Rouge	000 ⇔ 255	0–100%
4	Rouge fin	000 ⇔ 255	0–100% (16-bit)
5	Vert	000 ⇔ 255	0–100%
6	Vert fin	000 ⇔ 255	0–100% (16-bit)
7	Bleu	000 ⇔ 255	0–100%
8	Bleu fin	000 ⇔ 255	0–100% (16-bit)
9	Ambre	000 ⇔ 255	0–100%
10	Ambre fin	000 ⇔ 255	0–100% (16-bit)
11	Lime	000 ⇔ 255	0–100%
12	Lime fin	000 ⇔ 255	0–100% (16-bit)
13	Stroboscope	000 ⇔ 010	Pas de fonction
		011 ⇔ 255	Stroboscope, lent à rapide

12Ch

Canal	Fonction	Valeur	Pourcentage/Configuration
1	Gradateur	000 ⇔ 255	0–100%
2	Rouge	000 ⇔ 255	0–100%
3	Vert	000 ⇔ 255	0–100%
4	Bleu	000 ⇔ 255	0–100%
5	Ambre	000 ⇔ 255	0–100%
6	Lime	000 ⇔ 255	0–100%
7	Stroboscope	000 ⇔ 010	Pas de fonction
		011 ⇔ 255	Stroboscope, lent à rapide
8	VCW	000 ⇔ 255	Consultez la section Gamme de roue de couleurs virtuelles (VCW)
9	Températures de couleur	000 ⇔ 255	Consultez la section Gamme des températures de couleur
10	Programmes automatiques	000 ⇔ 010	Pas de fonction
		011 ⇔ 060	Programme automatique 1
		061 ⇔ 110	Programme automatique 2
		111 ⇔ 160	Programme automatique 3
		161 ⇔ 210	Programme automatique 4
211 ⇔ 255	Programme automatique 5 (programmes automatiques 1-4)		

Canal	Fonction	Valeur	Pourcentage/Configuration
11	Vitesse du programme	000 ⇔ 255	Vitesse du programme automatique, lent à rapide
12	Contrôle (maintenez pendant 3 secondes)	000 ⇔ 007	Pas de fonction
		008 ⇔ 015	Réinitialisation du gradateur
		016 ⇔ 023	Décalage rouge activé
		024 ⇔ 031	Décalage rouge désactivé
		032 ⇔ 039	Courbe de gradateur S-courbe
		040 ⇔ 047	Courbe de gradateur linéaire
		048 ⇔ 055	Courbe de gradation carrée
		056 ⇔ 063	Courbe de gradation carrée inverse
		064 ⇔ 071	Arrêt du mode de vitesse d'assombrissement
		072 ⇔ 079	Mode 1 de vitesse d'assombrissement (rapide)
		080 ⇔ 087	Mode 2 de vitesse d'assombrissement
		088 ⇔ 095	Mode 3 de vitesse d'assombrissement (lente)
		096 ⇔ 255	Réservé pour une utilisation future

10Ch

Canal	Fonction	Valeur	Pourcentage/Configuration
1	Gradateur	000 ⇔ 255	0–100%
2	Gradateur fin	000 ⇔ 255	0–100% (16-bit)
3	Rouge	000 ⇔ 255	0–100%
4	Vert	000 ⇔ 255	0–100%
5	Bleu	000 ⇔ 255	0–100%
6	Ambre	000 ⇔ 255	0–100%
7	Lime	000 ⇔ 255	0–100%
8	Stroboscope	000 ⇔ 010 011 ⇔ 255	Pas de fonction Stroboscope, lent à rapide
9	VCW	000 ⇔ 255	Consultez la section Gamme de roue de couleurs virtuelles (VCW)
10	Températures de couleur	000 ⇔ 255	Consultez la section Gamme des températures de couleur

7Ch

Canal	Fonction	Valeur	Pourcentage/Configuration
1	Gradateur	000 ⇔ 255	0–100%
2	Rouge	000 ⇔ 255	0–100%
3	Vert	000 ⇔ 255	0–100%
4	Bleu	000 ⇔ 255	0–100%
5	Ambre	000 ⇔ 255	0–100%
6	Lime	000 ⇔ 255	0–100%
7	Stroboscope	000 ⇔ 010 011 ⇔ 255	Pas de fonction Stroboscope, lent à rapide

5Ch

Canal	Fonction	Valeur	Pourcentage/Configuration
1	Rouge	000 ⇔ 255	0–100%
2	Vert	000 ⇔ 255	0–100%
3	Bleu	000 ⇔ 255	0–100%
4	Ambre	000 ⇔ 255	0–100%
5	Lime	000 ⇔ 255	0–100%

3Ch

Canal	Fonction	Valeur	Pourcentage/Configuration
1	Gradateur	000 ⇔ 255	0–100%
2	VCW	000 ⇔ 255	Consultez la section Gamme de roue de couleurs virtuelles (VCW)
3	Températures de couleur	000 ⇔ 255	Consultez la section Gamme des températures de couleur

Spécifications techniques
Dimensions et poids

Longueur	Largeur	Hauteur	Poids
334 mm (13,14 po)	176 mm (6,92 po)	115 mm (4,52 po)	3,4 kg (7,4 lb)

Remarque: Les dimensions en pouce sont arrondies.

Alimentation

Type d'alimentation	Plage	Sélection de tension
Commutation (interne)	100–240 VCA, 50/60 Hz	Universelle

Paramètre	120 V, 60 Hz	208 V, 60 Hz	230 V, 50 Hz
Consommation	62 W	64 W	64 W
Courant de fonctionnement	0,541 A	0,308 A	0,278 A
Fusibles	T2 A, 250 V	T2 A, 250 V	T2 A, 250 V

E/S alimentation	États-Unis/Mondial	Royaume-Uni/Europe
Cordon d'alimentation fixe	Fil nu	Fil nu

Source lumineuse

Type	Couleur	Quantité	Alimentation	Courant	Durée de vie
LED	Rouge	6	2,62–5,25 W	840 mA	50 000 heures
	Vert	6			
	Bleu	6			
	Ambre	4			
	Lime	4			

Photométrie

Filtre/Lentille	Angle de faisceau	Angle de champ	Éclairage @ 5 m
80° filtre	46,1°	76,8°	152 lux
65° lentille	63,3°	86,9°	115 lux
45° lentille	38,8°	78,4°	173 lux
25° lentille	24,7°	46,7°	430 lux

Thermique

Température externe minimum	Température externe maximum	Système de refroidissement
-4 °F (-20 °C)	113 °F (45 °C)	Convection

DMX

Connecteurs E/S	Plage de canaux
Prise XLR à cinq broches, W-DMX	3Ch, 5Ch, 7Ch, 10Ch, 12Ch, 13Ch, 16Ch ou HSV

Commande

Nom du produit	Nom de l'Appareil	Code de l'article	Code UPC
Ovation H-55FC (noir)	OVATIONH55FCBLK	03031727	781462220754
Ovation H-55FC (blanc)	OVATIONH55FCWHT	03031726	781462220747

Über diese Schnellanleitung

In der Schnellanleitung des Ovation H-55FC finden Sie die wesentlichen Produktinformationen, wie etwa über die Montage, Menüoptionen und DMX-Werte des Geräts.

Haftungsausschluss

Die in dieser Anleitung aufgeführten Informationen und Spezifikationen können ohne vorherige Ankündigung geändert werden.

EINGESCHRÄNKTE GARANTIE

ZUR REGISTRIERUNG FÜR GARANTIEANSPRÜCHE UND ZUR EINSICHT IN DIE VOLLSTÄNDIGEN GESCHÄFTSBEDINGUNGEN BESUCHEN SIE BITTE UNSERE WEBSITE.

Für Kunden in den USA und in Mexiko: www.chauvetlighting.com/warranty-registration.

Für Kunden im Vereinigten Königreich, in Irland, Belgien, den Niederlanden, Luxemburg, Frankreich und Deutschland: www.chauvetlighting.eu/warranty-registration.

Chauvet garantiert für die in der auf unserer Website veröffentlichten vollständigen eingeschränkten Garantie genannten Dauer und unter Vorbehalt der darin genannten Haftungsausschlüsse und -beschränkungen, dass dieses Produkt bei normalen Gebrauch frei von Material- und Verarbeitungsfehlern ist. Diese Garantie erstreckt sich nur auf den Erstkäufer des Produkts und ist nicht übertragbar. Zur Ausübung der unter dieser Garantie gewährten Rechte ist der Kaufbeleg in Form der Originalrechnung von einem autorisierten Händler vorzulegen, in der die Produktbezeichnung und das Kaufdatum vermerkt sein müssen. ES BESTEHEN KEINE WEITEREN AUSDRÜCKLICHEN ODER STILLSCHWEIGENDEN GARANTIEN. Diese Garantie gibt Ihnen besondere gesetzliche Rechte. Und Sie haben möglicherweise weitere Rechte, die von Land zu Land unterschiedlich sein können. Diese Garantie ist nur in den USA, im Vereinigten Königreich, in Irland, Belgien, den Niederlanden, Luxemburg, Frankreich, Deutschland und Mexiko gültig. Bezüglich der Garantiebestimmungen in anderen Ländern wenden Sie sich bitte an Ihren lokalen Händler.

Sicherheitshinweise

- Dieses Gerät sollte so positioniert werden, dass die Leuchtquelle weiter als 8 Meter von den Augen umstehender Personen entfernt ist.
- Beschädigte Kabel dürfen NUR durch Kabel gleichen Typs oder gleichwertige Kabel ersetzt werden; diese sind beim Hersteller oder dessen Servicevertreter erhältlich.
- Die in diesem Gerät befindliche Leuchtquelle darf ausschließlich durch den Hersteller, dessen Servicevertreter oder einen entsprechend qualifizierten Service-Techniker ausgetauscht werden.
- Dieses Gerät ist für den professionellen Einsatz bestimmt.
- Dieses Gerät NICHT öffnen. Die eingebauten Komponenten sind für den Kunden wartungsfrei.
- Um unnötigen Verschleiß zu vermeiden und die Lebensdauer des Geräts zu verlängern, trennen Sie während längerer Perioden des Nichtgebrauchs das Gerät vom Stromnetz – entweder per Trennschalter oder durch Herausziehen des Steckers aus der Steckdose.
- NIEMALS in die Lichtquelle schauen, während das Gerät eingeschaltet ist.
- VORSICHT: Das Gehäuse dieses Produkts kann während des Betriebs heiß werden. Installieren Sie das Gerät an einem Ort mit ausreichender Belüftung und mit einem Abstand von mindestens 50 cm zu den angrenzenden Flächen.
- Installieren Sie das Gerät an einem Ort mit ausreichender Belüftung und mit einem Abstand von mindestens 50 cm zu den angrenzenden Flächen.
- Belassen Sie KEINE entflammaren Materialien in einem Umkreis von 50 cm dieses Geräts, während es in Betrieb oder an der Stromversorgung angeschlossen ist.
- VORSICHT: Beim Transport des Geräts von einer Umgebung mit außergewöhnlichen Temperaturen in eine andere solche Umgebung (z. B. aus einem kalten Transporter in einen warm-feuchten Ballsaal) kann an der im Gerät enthaltenen Elektronik Wasser kondensieren. Um einen Defekt zu vermeiden, muss sich das Gerät erst in der neuen Umgebung akklimatisiert haben, bevor es an die Stromversorgung angeschlossen werden kann.
- VERWENDEN Sie bei Montage über Kopf immer ein Sicherheitsseil.
- Nehmen sie das Gerät NICHT im Freien oder an einem Ort in Betrieb, der durch Staubentwicklung, übermäßige Hitze, Wasser oder hohe Luftfeuchtigkeit charakterisiert ist. (IP20)
- NIEMALS das Gerät in Betrieb nehmen, wenn Ihnen das Gehäuse, die Linsen oder das Kabel beschädigt erscheinen.
- Schließen Sie dieses Gerät NICHT an einen Dimmer oder Regelwiderstand an.
- Schließen Sie dieses Produkt NUR an einen mit der Erde verbundenen und geschützten Stromkreis an.
- Das Gerät NUR an den Hänge-/Befestigungsbügeln oder Griffen tragen.
- Bei ernsthaften Betriebsproblemen stoppen Sie umgehend die Verwendung des Geräts.
- Die maximal zulässige Umgebungstemperatur beträgt 45 °C. Nehmen Sie das Gerät nicht bei höheren Temperaturen in Betrieb.
- Die zulässige Mindesttemperatur für den Start beträgt -20 °C. Starten Sie das Gerät nicht bei niedrigeren Temperaturen.

FCC-Konformität

Dieses Gerät erfüllt Teil 15, Teil B, der FCC-Bestimmungen. Der Betrieb ist an folgende zwei Bedingungen geknüpft:

1. Dieses Gerät darf keine schädlichen Interferenzen verursachen, und
2. Dieses Gerät muss empfangende Interferenzen aufnehmen können, auch Interferenzen, die eventuell einen unerwünschten Betrieb verursachen.

Jegliche Änderungen oder Modifikationen, die nicht ausdrücklich von der Partei genehmigt wurden, die für die Compliance zuständig ist, könnten die Berechtigung des Benutzers zum Betrieb dieses Geräts aufheben.

Warnung vor Exposition gegenüber HF für Nordamerika und Australien

Warnung! Dieses Gerät entspricht den FCC-Grenzwerten für Strahlenbelastung, die für eine nicht kontrollierte Umgebung festgelegt wurden. Dieses Gerät sollte so installiert und in Betrieb gesetzt werden, dass ein Mindestabstand von 20 cm zwischen dem Gerät und Ihrem Körper gewährleistet ist. Der Sender darf nicht in der Nähe anderer Antennen oder Sender aufgestellt oder in Verbindung mit anderen Antennen oder Sendern betrieben werden.

Kontakt

Kunden außerhalb der USA, GB, Irland, Benelux, Frankreich, Deutschland oder Mexiko wenden sich an ihren Lieferanten, um den Kundensupport in Anspruch zu nehmen oder ein Produkt zurückzuschicken. Kontaktinformationen finden Sie im [Contact Us](#) am Ende dieses QRG.

Packungsinhalt

- Ovation H-55FC
- 65 °, 40 ° und 25 ° Linsen
- 80 ° Filter
- Ei-Kiste
- Tragschienen-Kit und Wandleuchter-Kit
- Schnellanleitung

Wechselstrom

Dieses Gerät verfügt über ein Vorschaltgerät, das automatisch die anliegende Spannung erkennt, sobald der Netzstecker in die Schukosteckdose gesteckt wird, und kann mit einer Eingangsspannung von 100~240 V AC, 50/60 Hz arbeiten.

Wechselstromstecker

Anschluss	Draht (USA)	Draht (Europa)	Schraubenfarbe
Stromführender AC-Leiter	Schwarz	Braun	Gelb/Messingfarben
AC-Neutralleiter	Weiß	Blau	Silber
AC-Erdungsleiter	Grün/Gelb	Grün/Gelb	Grün



Um unnötigen Verschleiß zu vermeiden und die Lebensdauer des Geräts zu verlängern, trennen Sie während längerer Perioden des Nichtgebrauchs das Gerät vom Stromnetz – entweder per Trennschalter oder durch Herausziehen des Steckers aus der Steckdose.

Auswechseln der Sicherung

1. Trennen Sie das Gerät vom Stromnetz.
2. Mit einem Flachkopfschraubendreher lösen Sie die Abdeckung des Sicherungshalters vom Gehäuse.
3. Entfernen Sie die durchgebrannte Sicherung, und ersetzen Sie diese durch eine Sicherung des gleichen Typs und mit den gleichen Werten.
4. Schrauben Sie die Abdeckung der Sicherung wieder ein, und schließen Sie das Gerät wieder an das Stromnetz an.

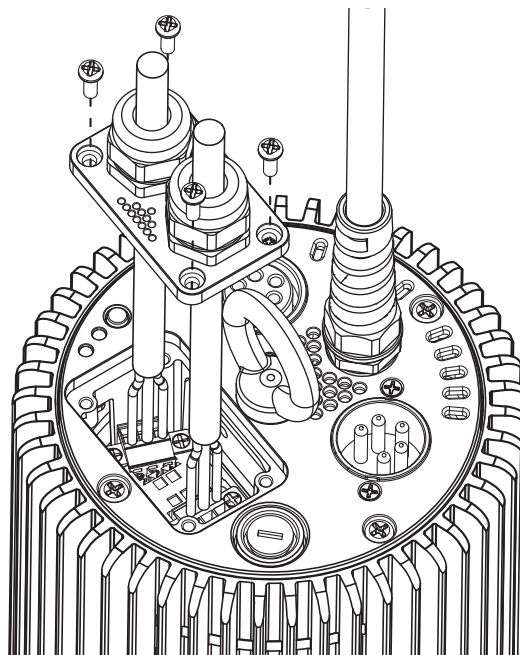
DMX-Verbindung

Der Ovation H-55FC kann mit einem DMX-Controller betrieben werden, wenn eine Drahtloser Verbindung, 5-polige DMX-Serienschaltung oder fest verdrahtete Verbindung zum Einsatz kommt. Sie können sich eine Einführung in DMX unter www.chauvetprofessional.com herunterladen.

DMX-Anschluss

Der Ovation H-55FC nutzt zur seiner Kontrollpersönlichkeiten: **3Ch, 5Ch, 7Ch, 10Ch, 12Ch, 13Ch, 16Ch** und **HSV** eine DMX-Datenverbindung.

DMX-Verkabelungsschema



Meister/Sklave-Schaltung

Der Ovation H-55FC verwendet für seinen "Master/Slave"-Modus eine DMX-Datenverbindung.

RDM (Remote Device Management)

Remote Device Management bzw. RDM ist ein Standard, mit dem DMX-aktivierte Geräte bidirektional entlang bestehender DMX-Kabel kommunizieren können. Lesen Sie die Bedienungsanleitung des DMX-Controllers oder wenden Sie sich an den Hersteller, da nicht alle DMX-Controller über diese Funktion verfügt. Der Ovation H-55FC unterstützt das RDM-Protokoll, das ein Feedback zur Vornahme von Änderungen der Menüoptionen erlaubt.

Drahtloser Betrieb

Unter optimalen Bedingungen kann der Ovation H-55FC in einer Entfernung von bis zu 300 m vom drahtlosen DMX-Sender betrieben werden. Der drahtlose DMX-Empfänger des Ovation H-55FC muss mit dem drahtlosen DMX-Sender für den Drahtlos-Betrieb gekoppelt werden.

Ersteinrichtung

1. Schalten Sie den drahtlosen DMX-Sender ein.
2. Schließen Sie den drahtlosen DMX-Sender an einen DMX-Controller an.
3. Platzieren Sie den Ovation H-55FC in einer Entfernung von maximal 300 m zum drahtlosen DMX-Sender.
4. Trennen Sie alle DMX-Verbindungen von der Ovation H-55FC.
5. Schalten Sie den Ovation H-55FC ein.

Drahtloser Konfiguration

Um den Drahtloser-Modus zu konfigurieren, halten Sie die Taste neben den Anzeigelampen gedrückt.

Modus	Drahtloser-Anzeigelampe	Beschreibung
AUS	Grün / Rot leuchtet nicht	Das Gerät ist ausgeschaltet
	Grünes Licht blinkt langsam	Im Empfangsmodus
EMPFANGS-MODUS	Rotes Licht aus	Warten auf drahtlose Verbindung
	Rotes Licht an	Wird mit W-DMX Control verbunden und es liegt ein DMX-Eingangssignal an
	Rotes Licht blinkt langsam	Verbunden mit W-DMX Control, aber kein DMX-Eingangssignal erkannt
	Rotes Licht blinkt schnell	Verbunden mit W-DMX Control, aber das Signal ist schwach

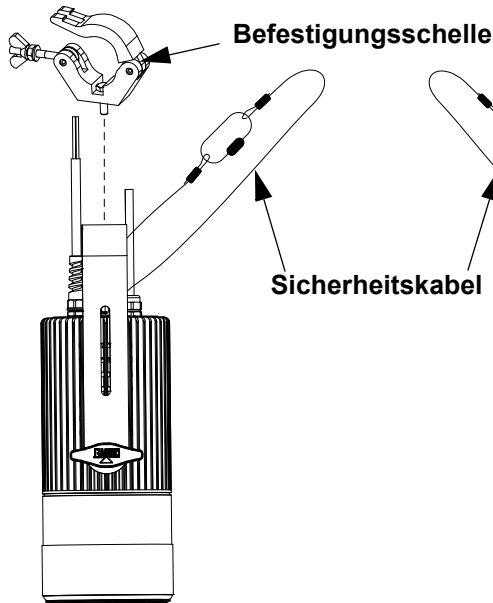


Ein drahtloser DMX-Betrieb kann durch Flüssigkeiten o. Ä. zwischen Sender und Empfänger, wie etwa Wasser, Schnee oder Menschen, unterbrochen oder behindert werden. Für beste Ergebnisse sollte daher der Bereich zwischen Sender und Empfänger von Flüssigkeiten o. Ä. freigehalten werden.

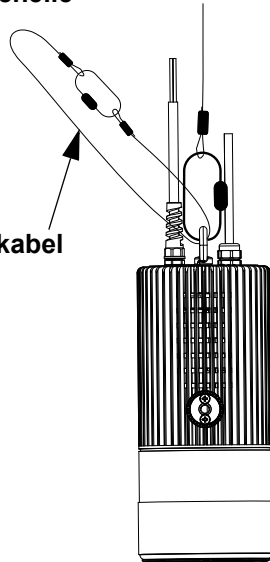
Montage

Lesen Sie vor der Montage dieses Geräts die [Sicherheitshinweise](#) durch. Stellen Sie sicher, dass die Befestigungsklemmen dafür ausgelegt sind, das Produktgewicht tragen zu können. Informationen zu unserer CHAUVET-Produktlinie für Befestigungsklemmen finden Sie unter <http://trusst.com/productcategory/truss-clamps/>.

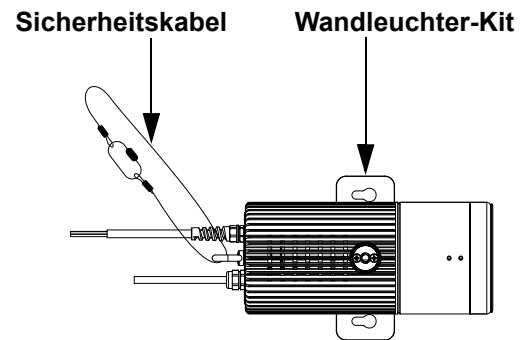
Montageansicht



Montage über Kopf



Hängende Montage

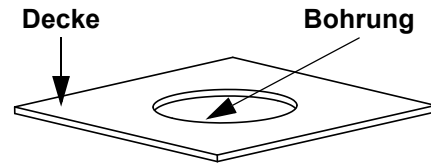


Seiten- /Wandmontage

Montageanleitung für Houselight Recess Kit

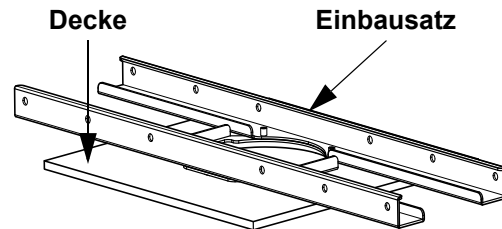
Die Anweisungen zum Installieren des Houselight-Einbausatzes mit dem Ovation H-55FC finden Sie unten.

1. Bohren Sie ein Loch von 145–160 mm in die Decke.

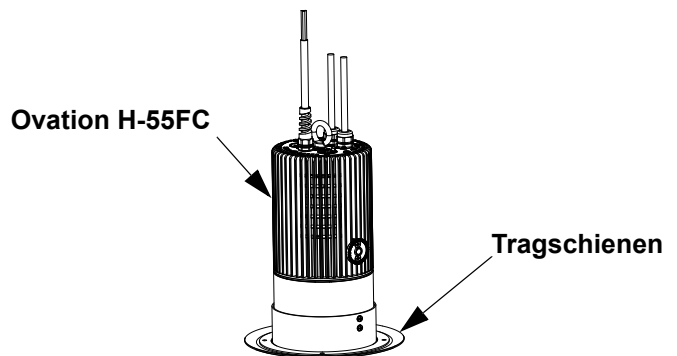


Stellen Sie vor der Installation sicher, dass die Decke das Gewicht des Geräts und die zugehörigen Befestigungsmittel tragen kann.

2. Befestigen Sie die Tragschienen an der Decke.

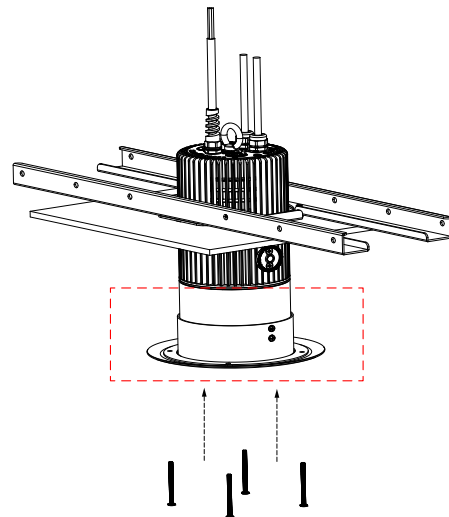


3. Befestigen Sie den Einbausatz an der Halterung.



Bei Verwendung des Vertiefungs-Sets muss das Gerät in einem Schacht mit ausreichender Belüftung installiert werden. Eine Installation in engen Räumen ohne Belüftung ist nicht zulässig.

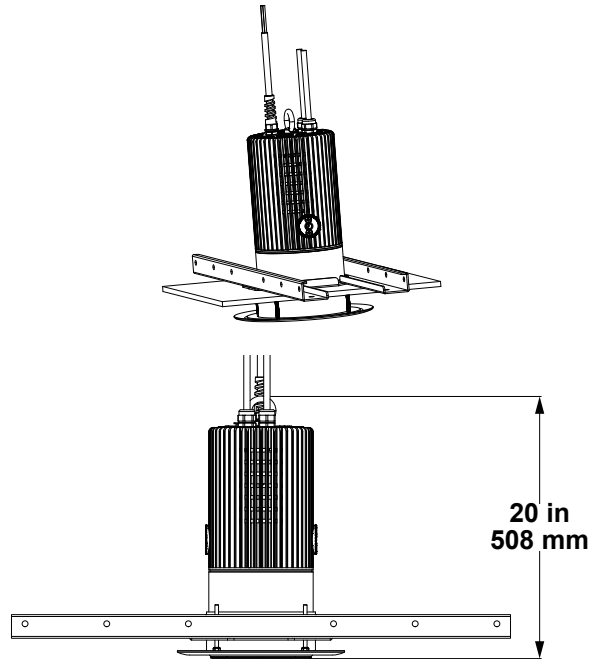
4. Befestigen Sie die Leuchte mit 4 Stück M4-Schrauben an der Decke.



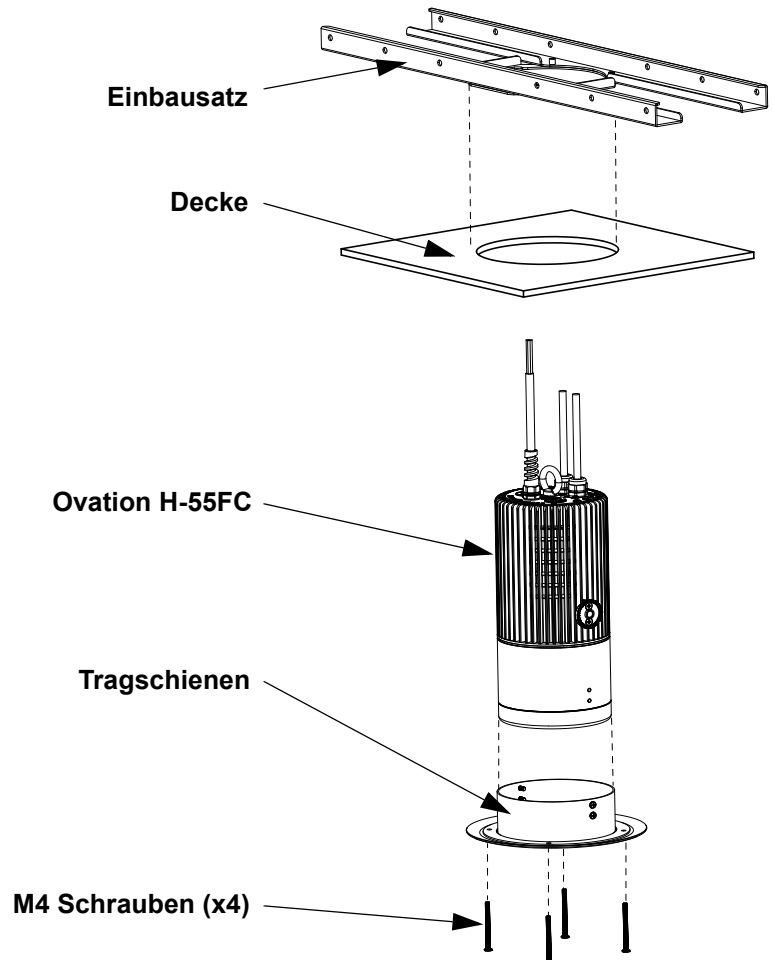
5. Setup ist erledigt.



Für die Installation des Einbausatzes ist ein Abstand von mindestens 508 mm (20 in) von der Wand zur Decke in alle Richtungen erforderlich.



Exploded View of Installation



Virtuelles Farbrad (VCW)

Der Ovation H-55FC verfügt über eine Funktion mit der Bezeichnung Virtuelles Farbrad (Virtual Color Wheel, VCW). Diese Funktion steht als Standalone-Steuerungsmodus für die manuelle Bedienung sowie als Steuerungskanal bei ausgewählten DMX-Eigenschaften zur Verfügung. Es sind mehr als 30 von unseren Technikern vorgemischte Farben verfügbar, um die Programmierung einfacher zu gestalten. Die zum Mischen dieser Farben verwendeten DMX-Werte sind nachstehend angegeben. Sie können die Gesamtintensität des Ovation anpassen, um die Farben, mit denen Sie vertraut sind, besser nachzubilden. Auf unserer Website www.chauvetprofessional.com finden Sie eine Tabelle, mit deren Hilfe Sie unsere vorgemischten Farben mit beliebigen Gel-Farben vergleichen können. Diese Tabelle dient einzig Vergleichszwecken und ist keine Gewähr dafür, dass unsere vorgemischten Farben mit einer der aufgeführten Gel-Farben übereinstimmen.

Tabelle: Virtuelles Farbrad (VCW)

DMX-Wert	Farb	Roter Wert	Grüner Wert	Blauer Wert	Bernsteiner Wert	Neongrüner Wert
000 ⇔ 005		000	000	000	000	000
006 ⇔ 013	C3050-Md Yellow	210	255	003	255	157
014 ⇔ 021	C3040-Lt Yellow	244	167	010	216	213
022 ⇔ 028	C3240-Amb Yellow	208	105	000	255	234
029 ⇔ 035	C2340-VLt Amber	254	049	026	255	255
036 ⇔ 043	C2040-Lt Amber	255	046	020	255	255
044 ⇔ 051	C2050-Md Amber	255	027	002	255	126
052 ⇔ 059	C2060-Dk Amber	255	008	002	255	098
060 ⇔ 067	C1050-Lt Red	255	021	003	000	000
068 ⇔ 075	C1080-Md Red	255	000	001	000	000
076 ⇔ 083	C1020-NC Pink	255	255	051	255	016
084 ⇔ 091	C1030-Md Pink	255	205	051	255	000
092 ⇔ 099	C1630-Dk Pink	255	148	060	255	214
100 ⇔ 107	C1250-Md Red Amber	255	000	008	255	004
108 ⇔ 115	C1060-Dk Red Amber	255	000	011	110	000
116 ⇔ 121	C1650-Magenta	255	052	050	255	041
122 ⇔ 130	C6170-Dk Magenta	255	000	075	034	000
131 ⇔ 138	C6020-Lt Lavender	090	117	077	255	255
139 ⇔ 146	C5030-Lt Blue	000	255	123	006	255
147 ⇔ 154	C5020-VLt Blue	023	255	126	061	255
155 ⇔ 162	C5430-Lt Blue2	000	255	116	000	255
163 ⇔ 170	C5070-Blue	000	255	139	000	033
171 ⇔ 178	C5050-Md Blue	000	255	128	048	033
179 ⇔ 186	C5060-Dk Blue	000	255	174	000	039
187 ⇔ 194	C5690-Indigo	002	024	255	055	001
195 ⇔ 202	C5080-VDk Blue	000	255	229	000	000
203 ⇔ 210	C5081-VdK Blue2	000	237	255	000	024
211 ⇔ 218	C4370-Yel Green	000	255	005	017	010
219 ⇔ 226	C4070-Green	042	255	010	010	001
227 ⇔ 234	C4550-Turquoise	000	255	046	016	255
235 ⇔ 242	C4560-Aqua	015	255	053	017	167
243 ⇔ 250	C4570-Blue Green	000	255	025	000	028
251 ⇔ 255		000	000	000	000	000



Die oben genannten Farben sind simulierte Ähnlichkeiten der Farbausgabe im Vergleich zu anderen, ähnlich weißglühenden Produkten. Chauvet gibt keine Gewährleistung bezüglich der Genauigkeit der Farbausgabe.

Farbtemperatur-Tabelle

DMX-Wert	Farbtemperatur	Roter Wert	Grüner Wert	Blauer Wert	Bernsteiner Wert	Neongrüner Wert
000 ⇔ 005		000	000	000	000	000
006 ⇔ 025	2800K	152	133	050	255	255
026 ⇔ 050	3000K	139	149	061	255	255
051 ⇔ 075	3200K	124	163	069	255	255
076 ⇔ 100	3500K	117	196	080	255	255
101 ⇔ 125	4000K	101	232	105	255	255
126 ⇔ 150	4500K	091	255	122	210	249
151 ⇔ 175	5000K	076	255	130	180	238
176 ⇔ 200	5600K	065	255	143	163	222
201 ⇔ 225	6000K	058	255	150	155	219
226 ⇔ 250	6500K	053	255	157	146	212
251 ⇔ 255		000	000	000	000	000



Die oben genannten Farbtemperaturen sind simulierte Ähnlichkeiten der Farbausgabe im Vergleich zu einer Wolframlampe mit spezifizierter Farbtemperatur. Chauvet gibt keine Gewährleistung bezüglich der Genauigkeit der Farbausgabe.

Menüstruktur

Die neueste Menükarte finden Sie auf der Ovation H-55FC-produktseite unter www.chauvetprofessional.com.



RDM2go oder eine andere RDM-fähige Schnittstelle ist für die Einrichtung des Geräts erforderlich.

Hauptebene	Programmirebenen	Beschreibung
DMX Address	1–512*	Wählt die DMX-Adresse aus (der höchste Kanal ist auf die gewählte Eigenschaft beschränkt)
DMX Channel	3CH	3-Kanal: Dimmer, VCW, Farbtemperatur
	5CH	5-Kanal: RGBAL
	7CH	7-Kanal: Dimmer, RGBAL, Stroboskopeffekt
	10CH	10-Kanal: 16-Bit Dimmer, RGBAL, Stroboskopeffekt, VCW, Farbtemperatur
	12CH	12-Kanal: Dimmer, RGBAL, Stroboskopeffekt, VCW, Farbtemperatur, automatische Programme und Geschwindigkeit, Kontrolle
	13CH	13-Kanal: 16-Bit Dimmer, 16-Bit RGBAL
	16CH	16-Kanal: 16-Bit Dimmer, 16-Bit RGBAL, Stroboskopeffekt, VCW, Farbtemperatur, Kontrolle
	HSV	3-Kanal: Farbton, Farbsättigung, Wert
Dimmer Curve	S-Curve	S-Kurve
	Linear	Lineare Kurve
	Square	Quadratische Kurve
	Inverse Square	Inverse quadratische Kurve
Dimmer Mode	OFF	Sofortiger Dimmer
	Dimmer 1–3	Dimmungskurven 1 (schnell) nach 3 (langsam)
LED Frequency	600Hz	Stellt die PWM-Frequenz ein
	1200Hz	
	2000Hz	
	4000Hz	
	6000Hz	
Factory Default	25KHz	Zeigt an, wie lange das Gerät eingeschaltet gewesen ist
	No	
	Yes	

Hauptebene	Programmirebenen				Beschreibung
Specific PIDS	1	82C8	Clean All Data	0	Nein
				1	Ja
	2	8218	Static-Red	0–255	Kombiniert rote, grüne, blaue, bernstein und neongrün Farben zu einer benutzerdefinierten Farbe
	3	8219	Static-Green	0–255	
	4	8220	Static-Blue	0–255	
	5	8221	Static-Amber	0–255	
	6	8222	Static-Lime	0–255	
	7	8209	Auto Show	0–5	Wählt das Auto-Programm
	8	8210	Auto Speed	1–100	Legt die Programm-Geschwindigkeit aus
	9	8211	Master/Slave	0	Meister-Modus
				1	Sklave-Modus
	10	8212	W-DMX On/Off	0	W-DMX aus
				1	W-DMX ein
	11	8215	Receive Reset	0	Setzen Sie den Empfänger nicht zurück
				1	Setzen Sie den Empfänger zurück
	12	8216	Emergency Mode	0	Notfallmodus aus
				1	Notfallmodus ein
	13	8200	White Balance-Red	125–255	Stellt den maximalen Wert der roten LED ein
14	8201	White Balance-Green	125–255	Stellt den maximalen Wert der grünen LED ein	
15	8202	White Balance-Blue	125–255	Stellt den maximalen Wert der blauen LED ein	
16	8204	White Balance-Amber	125–255	Stellt den maximalen Wert der bernsteinen LED ein	
17	8205	White Balance-Lime	125–255	Stellt den maximalen Wert der neongrünen LED ein	
18	82BC	Red Shift	0	Rotverschiebung aus	
			1	Rotverschiebung ein	

**DMX-Wert
HSV**

Kanal	Funktion	Wert	Prozent/Einstellung
1	Farbton	000 ⇔ 255	0–100%
2	Farbsättigung	000 ⇔ 255	0–100%
3	Wert	000 ⇔ 255	0–100%

16Ch

Kanal	Funktion	Wert	Prozent/Einstellung
1	Dimmer	000 ⇔ 255	0–100%
2	Feine Dimmer	000 ⇔ 255	0–100% (16-Bit)
3	Rot	000 ⇔ 255	0–100%
4	Feine Rot	000 ⇔ 255	0–100% (16-Bit)
5	Grün	000 ⇔ 255	0–100%
6	Feine Grün	000 ⇔ 255	0–100% (16-Bit)
7	Blau	000 ⇔ 255	0–100%
8	Feine Blau	000 ⇔ 255	0–100% (16-Bit)
9	Bernstein	000 ⇔ 255	0–100%
10	Feine Bernstein	000 ⇔ 255	0–100% (16-Bit)
11	Neongrün	000 ⇔ 255	0–100%

Kanal	Funktion	Wert	Prozent/Einstellung
12	Feine Neongrün	000 ⇔ 255	0–100% (16-Bit)
13	Stroboskop	000 ⇔ 010 011 ⇔ 255	Keine Funktion Stroboskop, von langsam nach schnell
14	Virtuelles Farbrad	000 ⇔ 255	Siehe Tabelle: Virtuelles Farbrad (VCW)
15	Farbtemperaturen	000 ⇔ 255	Siehe Farbtemperatur-Tabelle
16	Kontrolle (3 Sekunden lang gedrückt halten)	000 ⇔ 007	Keine Funktion
		008 ⇔ 015	Dimmer zurücksetzen
		016 ⇔ 023	Rotverschiebung ein
		024 ⇔ 031	Rotverschiebung aus
		032 ⇔ 039	S-Kurve Dimmerkurve
		040 ⇔ 047	Lineare Dimmerkurve
		048 ⇔ 055	Quadratische Dimmerkurve
		056 ⇔ 063	Inverse quadratische Dimmerkurve
		064 ⇔ 071	Dimmer-Geschwindigkeits-Modus aus
		072 ⇔ 079	Dimmer-Geschwindigkeits-Modus 1 (schnellste)
		080 ⇔ 087	Dimmer-Geschwindigkeits-Modus 2
088 ⇔ 095	Dimmer-Geschwindigkeits-Modus 3 (langsamste)		
		096 ⇔ 255	Reserviert für zukünftige Verwendung

13Ch

Kanal	Funktion	Wert	Prozent/Einstellung
1	Dimmer	000 ⇔ 255	0–100%
2	Feine Dimmer	000 ⇔ 255	0–100% (16-Bit)
3	Rot	000 ⇔ 255	0–100%
4	Feine Rot	000 ⇔ 255	0–100% (16-Bit)
5	Grün	000 ⇔ 255	0–100%
6	Feine Grün	000 ⇔ 255	0–100% (16-Bit)
7	Blau	000 ⇔ 255	0–100%
8	Feine Blau	000 ⇔ 255	0–100% (16-Bit)
9	Bernstein	000 ⇔ 255	0–100%
10	Feine Bernstein	000 ⇔ 255	0–100% (16-Bit)
11	Neongrün	000 ⇔ 255	0–100%
12	Feine Neongrün	000 ⇔ 255	0–100% (16-Bit)
13	Stroboskop	000 ⇔ 010	Keine Funktion
		011 ⇔ 255	Stroboskop, von langsam nach schnell

12Ch

Kanal	Funktion	Wert	Prozent/Einstellung
1	Dimmer	000 ⇔ 255	0–100%
2	Rot	000 ⇔ 255	0–100%
3	Grün	000 ⇔ 255	0–100%
4	Blau	000 ⇔ 255	0–100%
5	Bernstein	000 ⇔ 255	0–100%
6	Neongrün	000 ⇔ 255	0–100%
7	Stroboskop	000 ⇔ 010	Keine Funktion
		011 ⇔ 255	Stroboskop, von langsam nach schnell
8	Virtuelles Farbrad	000 ⇔ 255	Siehe Tabelle: Virtuelles Farbrad (VCW)
9	Farbtemperaturen	000 ⇔ 255	Siehe Farbtemperatur-Tabelle
10	Automatische Programme	000 ⇔ 010	Keine Funktion
		011 ⇔ 060	Automatische Programm 1
		061 ⇔ 110	Automatische Programm 2
		111 ⇔ 160	Automatische Programm 3
		161 ⇔ 210	Automatische Programm 4
		211 ⇔ 255	Automatische Programm 5 (Automatische Programme 1-4)

Kanal	Funktion	Wert	Prozent/Einstellung
11	Programmgeschwindigkeit	000 ⇔ 255	Automatische-Programmgeschwindigkeit, von langsam nach schnell
12	Kontrolle (3 Sekunden lang gedrückt halten)	000 ⇔ 007	Keine Funktion
		008 ⇔ 015	Dimmer zurücksetzen
		016 ⇔ 023	Rotverschiebung ein
		024 ⇔ 031	Rotverschiebung aus
		032 ⇔ 039	S-Kurve Dimmerkurve
		040 ⇔ 047	Lineare Dimmerkurve
		048 ⇔ 055	Quadratische Dimmerkurve
		056 ⇔ 063	Inverse quadratische Dimmerkurve
		064 ⇔ 071	Dimmer-Geschwindigkeits-Modus aus
		072 ⇔ 079	Dimmer-Geschwindigkeits-Modus 1 (schnellste)
		080 ⇔ 087	Dimmer-Geschwindigkeits-Modus 2
		088 ⇔ 095	Dimmer-Geschwindigkeits-Modus 3 (langsamste)
		096 ⇔ 255	Reserviert für zukünftige Verwendung

10Ch

Kanal	Funktion	Wert	Prozent/Einstellung
1	Dimmer	000 ⇔ 255	0–100%
2	Feine Dimmer	000 ⇔ 255	0–100%
3	Rot	000 ⇔ 255	0–100%
4	Grün	000 ⇔ 255	0–100%
5	Blau	000 ⇔ 255	0–100%
6	Bernstein	000 ⇔ 255	0–100%
7	Neongrün	000 ⇔ 255	0–100%
8	Stroboskop	000 ⇔ 010	Keine Funktion
		011 ⇔ 255	Stroboskop, von langsam nach schnell
9	Virtuelles Farbrad	000 ⇔ 255	Siehe Tabelle: Virtuelles Farbrad (VCW)
10	Farbtemperaturen	000 ⇔ 255	Siehe Farbtemperatur-Tabelle

7Ch

Kanal	Funktion	Wert	Prozent/Einstellung
1	Dimmer	000 ⇔ 255	0–100%
2	Rot	000 ⇔ 255	0–100%
3	Grün	000 ⇔ 255	0–100%
4	Blau	000 ⇔ 255	0–100%
5	Bernstein	000 ⇔ 255	0–100%
6	Neongrün	000 ⇔ 255	0–100%
7	Stroboskop	000 ⇔ 010	Keine Funktion
		011 ⇔ 255	Stroboskop, von langsam nach schnell

5Ch

Kanal	Funktion	Wert	Prozent/Einstellung
1	Rot	000 ⇔ 255	0–100%
2	Grün	000 ⇔ 255	0–100%
3	Blau	000 ⇔ 255	0–100%
4	Bernstein	000 ⇔ 255	0–100%
5	Neongrün	000 ⇔ 255	0–100%

3Ch

Kanal	Funktion	Wert	Prozent/Einstellung
1	Dimmer	000 ⇔ 255	0–100%
2	Virtuelles Farbrad	000 ⇔ 255	Siehe Tabelle: Virtuelles Farbrad (VCW)
3	Farbtemperaturen	000 ⇔ 255	Siehe Farbtemperatur-Tabelle

Technische Daten
Abmessungen und Gewicht

Länge	Breite	Höhe	Gewicht
334 mm (13,14 in)	176 mm (6,92 in)	115 mm (4,52 in)	3,4 kg (7,4 lb)

Hinweis: Abmessungen in Zoll sind gerundet.

Leistungsaufnahme

Netzteiltyp	Bereich	Spannungsschalter
Schaltend (intern)	100–240 V, 50/60 Hz	Autom. Spann.-Erkennung

Parameter	120 V, 60 Hz	208 V, 60 Hz	230 V, 50 Hz
Stromverbrauch	62 W	64 W	64 W
Betriebsstromstärke	0,541 A	0,308 A	0,278 A
Sicherung	T2 A, 250 V	T2 A, 250 V	T2 A, 250 V

I/O-Eingangsbuchse	USA/Weltweit	GB/Europa
Angeklemmtes Netzkabel	Blanker Leitungsdraht	Blanker Leitungsdraht

Leuchtquelle

Typ	Farbe	Menge	Leistungsaufnahme	Strom	Dauer
LED	Rot	6	2,62–5,25 W	840 mA	50.000 Stunden
	Grün	6			
	Blau	6			
	Bernstein	4			
	Neongrün	4			

Lichttechnik

Filter/Linsee	Abstrahlwinkel	Feldwinkel	Beleuchtungsstärke @ 5 m
80° Filter	46,1°	76,8°	152 lux
65° Linse	63,3°	86,9°	115 lux
45° Linse	38,8°	78,4°	173 lux
25° Linse	24,7°	46,7°	430 lux

Wärmeentwicklung

Minimum externe Temp.	Maximal externe Temp.	Kühlung
-4 °F (-20 °C)	113 °F (45 °C)	Konvektion

DMX

I/O-Buchsen	Kanalbereich
5-polig XLR, W-DMX	3Ch, 5Ch, 7Ch, 10Ch, 12Ch, 13Ch, 16Ch oder HSV

Bestellung

Produktbezeichnung	Artikelname	Artikelcode	UPC-Nummer
Ovation H-55FC (schwarz)	OVATIONH55FCBLK	03031727	781462220754
Ovation H-55FC (weiß)	OVATIONH55FCWHT	03031726	781462220747

Over deze handleiding

De Ovation H-55FC Beknopte Handleiding (BH) bevat basisinformatie over het product, zoals aansluiting, montage, menu-opties en DMX-waarden.

Disclaimer

De informatie en specificaties in deze BH kunnen zonder voorafgaande kennisgeving worden gewijzigd.

BEPERKTE GARANTIE

GA NAAR ONZE WEBSITE VOOR REGISTRATIE VAN DE GARANTIE EN DE VOLLEDIGE ALGEMENE VOORWAARDEN.

Voor klanten in de Verenigde Staten en Mexico: www.chauvetlighting.com/warranty-registration.

Voor klanten in het Verenigd Koninkrijk, Ierland, België, Nederland, Luxemburg, Frankrijk en Duitsland: www.chauvetlighting.eu/warranty-registration.

Chauvet garandeert dat dit product bij normaal gebruik vrij zal blijven van defecten in materiaal en vakmanschap, voor de opgegeven periode en onder voorbehoud van de uitzonderingen en beperkingen die zijn uiteengezet in de volledige beperkte garantie op onze website. Deze garantie geldt uitsluitend voor de oorspronkelijke koper van het product en is niet overdraagbaar. Om onder deze garantie rechten uit te oefenen, moet u een aankoopbewijs overleggen in de vorm van een origineel verkoopbewijs van een geautoriseerde dealer, waarop de naam van het product en de aankoopdatum zichtbaar zijn. ER ZIJN GEEN ANDERE EXPLICIETE OF IMPLICIETE GARANTIES. Deze garantie geeft u specifieke wettelijke rechten. Mogelijk heeft u ook andere rechten die van staat tot staat en van land tot land verschillen. Deze garantie is uitsluitend geldig in de Verenigde Staten, het Verenigd Koninkrijk, Ierland, België, Nederland, Luxemburg, Frankrijk, Duitsland en Mexico. Neem contact op met uw lokale verkoper voor garantievoorwaarden in andere landen.

Veiligheidsinstructies

- Dit product moet zodanig geplaatst worden dat de lichtbron zich verder dan 8 m van enige ogen bevindt.
- Vervang beschadigde kabels ALLEEN met identieke kabels, of het equivalent daarvan, die verkrijgbaar zijn bij de fabrikant of diens serviceagent.
- De lichtbron die in dit product omvat is mag alleen vervangen worden door de fabrikant, diens serviceagent, of een soortgelijke erkende monteur.
- Dit product is alleen bedoeld voor professioneel gebruik.
- Open het product NIET. Het bevat geen te onderhouden onderdelen.
- Om onnodige slijtage te elimineren en zijn levensduur te verlengen, gedurende perioden wanneer het product niet wordt gebruikt, moet u het product van de stroom afsluiten door een aardlekschakelaar om te zetten of door het te ontkoppelen.
- KIJK NIET in de lichtbron wanneer het apparaat is ingeschakeld.
- LET OP: De behuizing van dit product kan heet zijn wanneer het in bedrijf is.
- Monteer dit product op een plek met voldoende ventilatie, ten minste 50 cm van de aangrenzende oppervlakken.
- Plaats geen ontvlambaar materiaal binnen 50 cm van dit product als het in gebruik is of is aangesloten op het stopcontact.
- LET OP: Bij het verplaatsen van het product uit extreme omgevingen, (bijv. koude vrachtwagen naar warme, vochtige balzaal) kan er condensvorming optreden op de elektronica van het product. Om storingen te vermijden moet het product volledig kunnen acclimatiseren aan de omgeving voordat het op stroom wordt aangesloten.
- GEBRUIK een veiligheidskabel bij het boven het hoofd plaatsen van dit product.
- Gebruik dit product NIET buitenshuis of op een locatie waar stof, grote warmte, water of vochtigheid het kunnen beïnvloeden. (IP20)
- Gebruik dit product NIET als de behuizing, lenzen of kabels beschadigd lijken.
- Sluit dit product NIET aan op een dimmer of een regelweerstand.
- Sluit dit product UITSLUITEND op een geaard en beveiligd stroomcircuit.
- Gebruik UITSLUITEND de ophang-/montagebeugel om dit product te dragen.
- Stop in het geval van ernstige operationele problemen onmiddellijk met het gebruik.
- De maximale omgevingstemperatuur bedraagt 45 °C. Gebruik dit product niet bij hogere temperaturen.
- De minimale opstarttemperatuur is -20° C. Start het product niet op bij lagere temperaturen.

FCC-naleving

Dit apparaat voldoet aan Part 15 Part B van de FCC-regels. Het gebruik is onderworpen aan de volgende twee voorwaarden:

1. Dit apparaat mag geen schadelijke interferentie veroorzaken, en
2. Dit apparaat moet enige ontvangen interferentie accepteren, inclusief interferentie die een ongewenste werking kan veroorzaken.

Eventuele wijzigingen of aanpassingen die niet uitdrukkelijk door de voor naleving verantwoordelijke partij zijn goedgekeurd, kan de bevoegdheid van de gebruiker om de apparatuur te bedienen ongeldig verklaren.

RF-blootstellingswaarschuwing voor Noord-Amerika en Australië

Waarschuwing! Deze apparatuur voldoet aan de FCC-limieten voor blootstelling aan straling die zijn vastgesteld voor een ongecontroleerde omgeving. Deze apparatuur moet geplaatst en gebruikt worden met een minimale afstand van 20 cm tussen de radiator en uw lichaam. Deze zender mag niet op dezelfde locatie worden gebruikt als of geplaatst worden bij een andere antenne of zender.

Contact

Van buiten de VS, Verenigd Koninkrijk, Ierland, Benelux, Frankrijk, Duitsland of Mexico kunt u contact opnemen met de distributeur of om ondersteuning vragen dan wel het product retourneren. Raadpleeg [Contact Us](#) aan het einde van deze BH voor contactinformatie.

Wat is inbegrepen

- Ovation H-55FC
- 65°, 40° en 25° lenzen
- 80° filter
- Eierkrat
- Inbouwset en Wandverlichting-set
- Beknopte handleiding

AC-stroom

Dit product heeft een voeding met automatisch bereik die werkt met een ingangsspanning van 100–240 VAC, 50/60 Hz.

AC-stekker

Aansluiting	Snoer (VS)	Snoer (Europa)	Schroefkleur
AC Live	Zwart	Bruin	Geel/messing
AC Neutraal	Wit	Blauw	Zilver
AC Aarde	Groen/geel	Groen/geel	Groen



Om onnodige slijtage te elimineren en zijn levensduur te verlengen, gedurende perioden wanneer het product niet wordt gebruikt, moet u het product van de stroom afsluiten door een aardlekschakelaar om te zetten of door het te ontkoppelen.

De zekering vervangen

1. Ontkoppel dit product van de stroom.
2. Gebruik een kruiskopschroevendraaier nr. 2 en schroef de kap van de zekeringhouder los van de behuizing.
3. Verwijder de doorgebrande zekering en vervang het met een werkende zekering van hetzelfde type en met dezelfde waarde.
4. Schroef de kap van de zekeringhouder terug en steek de stekker er weer in.

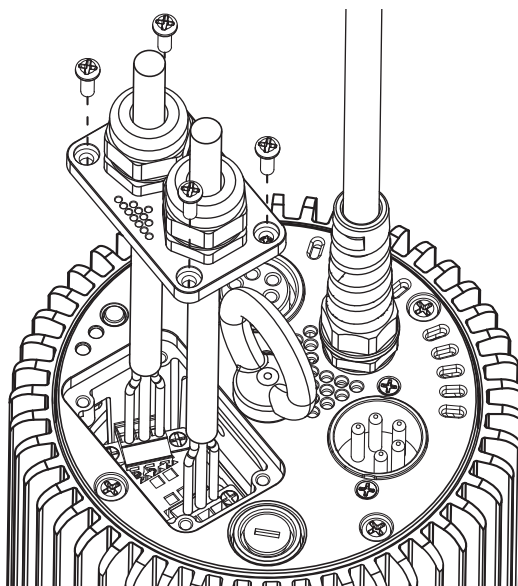
DMX-koppeling

De Ovation H-55FC kan met een DMX-controller werken met een draadloze, 5-pin's DMX seriële, of bedrade verbinding. Op www.chauvetprofessional.com is een DMX basishandleiding verkrijgbaar.

DMX-aansluiting

De Ovation H-55FC gebruikt een normale DMX-gegevensverbinding voor zijn DMX-persoonlijkheden: **3Ch, 5Ch, 7Ch, 10Ch, 12Ch, 13Ch, 16Ch** en **HSV**.

DMX bedradingschema



Meester/slaaf-verbinding

De Ovation H-55FC maakt gebruik van de DMX-dataverbinding voor haar Meester-/Slaaf-modus.

RDM (apparaatbeheer op afstand)

Remote Device Management of RDM (apparaatbeheer op afstand) is een standaard die het voor DMX-apparaten mogelijk maakt om in twee richtingen te communiceren over bestaande DMX-kabels. De Ovation H-55FC ondersteunt het RDM-protocol dat zorgt feedback toelaat bij de bewaking van wijzigingen aan de menu map-opties van. Download de gebruikershandleiding op www.chauvetprofessional.com voor meer informatie.

Draadloze bediening

In optimale omstandigheden, kan de Ovation H-55FC werken tot een afstand van 300 m van de W-DMX zender. De W-DMX ontvanger in de Ovation H-55FC moet met de W-DMX zender zijn gekoppeld voor draadloze werking.

Eerste opstelling

1. Schakel de W-DMX-zender in
2. Sluit de W-DMX-zender aan op een DMX-regelaar.
3. Plaats de Ovation H-55FC binnen 300 m van de W-DMX-zender.
4. Ontkoppel alle DMX-kabels van de Ovation H-55FC.
5. Schakel de Ovation H-55FC in.

Configuratie

To configure the wireless mode, press and hold the button next to the indicator lights.

Mode	Draadloos indicatielampje	Beschrijving
UIT	Groen / rood licht uit	Armatuur is uitgeschakeld
ONTVANGST-MODUS	Groen licht knippert langzaam	In ontvangstmodus
	Rood licht uit	Wachten op draadloze verbinding
	Rood licht aan	Verbonden met W-DMX Control en er is een DMX-ingangssignaal
	Rood licht knippert langzaam	Verbonden met W-DMX-besturing maar geen DMX-ingangssignaal gedetecteerd
	Rood licht knippert snel	Verbonden met W-DMX-besturing maar het signaal is zwak

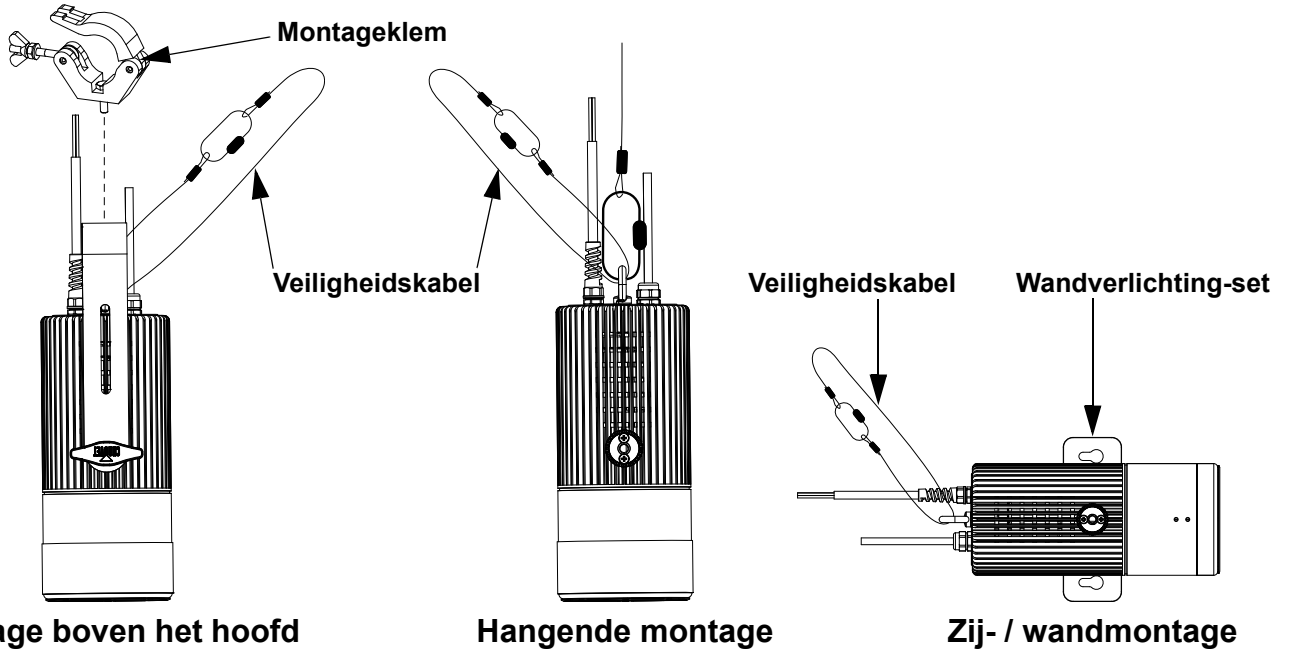


De werking van W-DMX kan worden verstoord of onderbroken door vloeistofmassa's tussen de zender en de ontvanger, zoals water, sneeuw of mensen. Houd het gebied tussen de zender en de ontvanger voor de beste resultaten vrij van vloeistofmassa.

Montage

Lees alvorens dit product te monteren alle [Veiligheidsinstructies](#). Controleer of de montageklem het gewicht van het product kan dragen. Ga voor onze Chauvet-serie montageklemmen naar <http://trusst.com/productcategory/truss-clamps/>.

Montagediagram van het product



Montage boven het hoofd

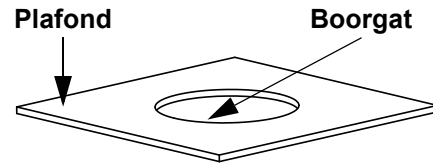
Hangende montage

Zij- / wandmontage

Installatie-instructies voor Houselight Recess Kit

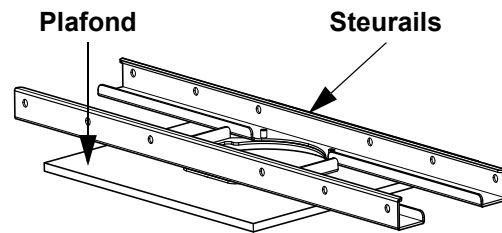
De instructies voor het installeren van de Houselight Recess Kit met de Ovation H-55FC vindt u hieronder.

1. Boor een gat van 145–160 mm in het plafond.

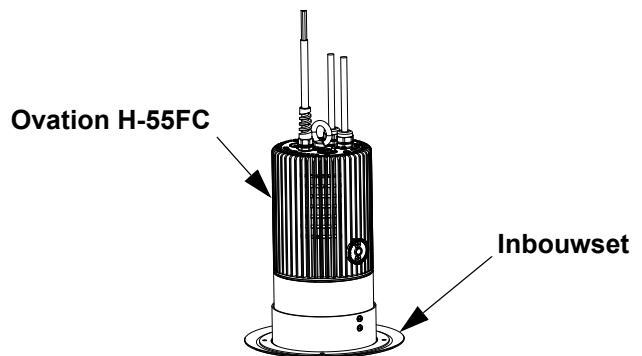


Controleer voorafgaand aan de installatie of het plafond het gewicht van de armatuur en bijbehorende hulpmiddelen kan dragen.

2. Bevestig de steunrails aan het plafond.

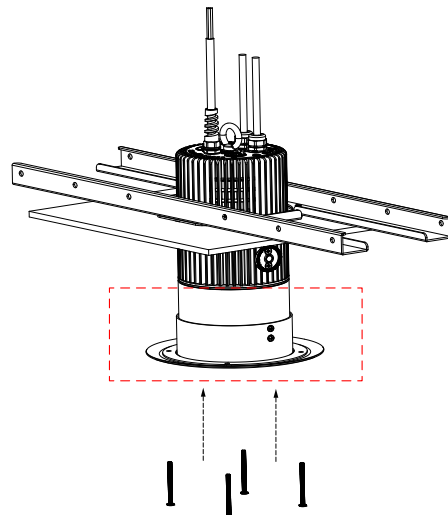


3. Bevestig de inbouwset op het armatuur.



Bij gebruik van de inbouwset moet de armatuur in een tussenruimte met voldoende open ruimte voor ventilatie geïnstalleerd worden. Het is niet toegestaan de set in besloten ruimtes zonder luchtstroom te installeren.

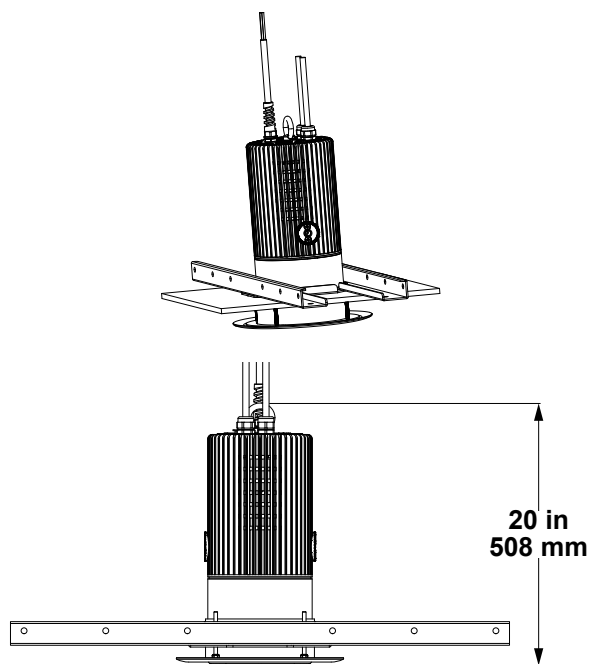
4. Bevestig het armatuur met 4 M4-schroeven aan het plafond.



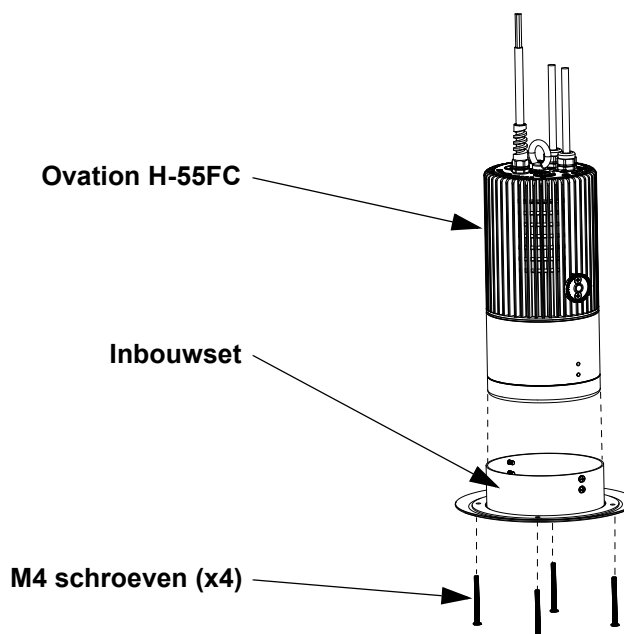
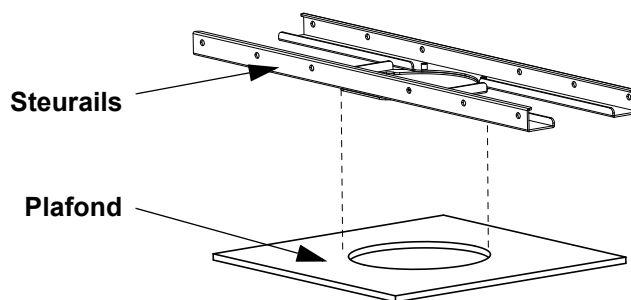
5. Setup is voltooid.



Een afstand van minimaal 20 in (508 mm) van muur tot plafond, in alle richtingen, is vereist bij het installeren van de inbouwset.



Exploded view van armatuurinstallatie



Virtueel kleurenwiel (VCW)

De Ovation H-55FC bevat een functie, genaamd het virtuele kleurenwiel (Virtual Color Wheel, VCW). Deze functie is beschikbaar als een losstaande bedieningsmodus voor handmatig gebruik en ook als een bedieningskanaal in de geselecteerde DMX-persoonlijkheden van de producten. Voor eenvoudiger programmering zijn er meer dan 30 voorgemengde kleuren beschikbaar die speciaal door onze technici zijn samengesteld. De DMX-waarden die worden gebruikt voor het mengen van deze kleuren staan hieronder vermeld. U kunt de algehele intensiteit van het Ovation-armatuur aanpassen om de kleuren waarmee u bekend bent beter na te bootsen. Op onze website www.chauvetprofessional.com is een tabel beschikbaar om onze voorgemengde kleuren te vergelijken met populaire gelkleuren. Deze grafiek is uitsluitend bedoeld voor vergelijkingsdoeleinden en vormt geen garantie dat onze voorgemengde kleuren overeenkomen met de vermelde gelkleuren.

Virtueel kleurenwiel-kaart (VCW)

DMX waarde	Kleur	Rode waarde	Groene waarde	Blauwe waarde	Amber waarde	Lime waarde
000 ⇄ 005		000	000	000	000	000
006 ⇄ 013	C3050-Md Yellow	210	255	003	255	157
014 ⇄ 021	C3040-Lt Yellow	244	167	010	216	213
022 ⇄ 028	C3240-Amb Yellow	208	105	000	255	234
029 ⇄ 035	C2340-VLt Amber	254	049	026	255	255
036 ⇄ 043	C2040-Lt Amber	255	046	020	255	255
044 ⇄ 051	C2050-Md Amber	255	027	002	255	126
052 ⇄ 059	C2060-Dk Amber	255	008	002	255	098
060 ⇄ 067	C1050-Lt Red	255	021	003	000	000
068 ⇄ 075	C1080-Md Red	255	000	001	000	000
076 ⇄ 083	C1020-NC Pink	255	255	051	255	016
084 ⇄ 091	C1030-Md Pink	255	205	051	255	000
092 ⇄ 099	C1630-Dk Pink	255	148	060	255	214
100 ⇄ 107	C1250-Md Red Amber	255	000	008	255	004
108 ⇄ 115	C1060-Dk Red Amber	255	000	011	110	000
116 ⇄ 121	C1650-Magenta	255	052	050	255	041
122 ⇄ 130	C6170-Dk Magenta	255	000	075	034	000
131 ⇄ 138	C6020-Lt Lavender	090	117	077	255	255
139 ⇄ 146	C5030-Lt Blue	000	255	123	006	255
147 ⇄ 154	C5020-VLt Blue	023	255	126	061	255
155 ⇄ 162	C5430-Lt Blue2	000	255	116	000	255
163 ⇄ 170	C5070-Blue	000	255	139	000	033
171 ⇄ 178	C5050-Md Blue	000	255	128	048	033
179 ⇄ 186	C5060-Dk Blue	000	255	174	000	039
187 ⇄ 194	C5690-Indigo	002	024	255	055	001
195 ⇄ 202	C5080-VDk Blue	000	255	229	000	000
203 ⇄ 210	C5081-VdK Blue2	000	237	255	000	024
211 ⇄ 218	C4370-Yel Green	000	255	005	017	010
219 ⇄ 226	C4070-Green	042	255	010	010	001
227 ⇄ 234	C4550-Turquoise	000	255	046	016	255
235 ⇄ 242	C4560-Aqua	015	255	053	017	167
243 ⇄ 250	C4570-Blue Green	000	255	025	000	028
251 ⇄ 255		000	000	000	000	000



De kleuren hierboven zijn gesimuleerde waargaven van de kleurenitvoer die zijn geproduceerd, in vergelijking met de andere gelijksoortige lichtproducten. Chauvet geeft geen garantie over de nauwkeurigheid van de kleuropbrengst.

Kleurtemperatuur-kaart

DMX waarde	Kleurtemperatuur	Rode waarde	Groene waarde	Blauwe waarde	Amber waarde	Lime waarde
000 ⇔ 005		000	000	000	000	000
006 ⇔ 025	2800K	152	133	050	255	255
026 ⇔ 050	3000K	139	149	061	255	255
051 ⇔ 075	3200K	124	163	069	255	255
076 ⇔ 100	3500K	117	196	080	255	255
101 ⇔ 125	4000K	101	232	105	255	255
126 ⇔ 150	4500K	091	255	122	210	249
151 ⇔ 175	5000K	076	255	130	180	238
176 ⇔ 200	5600K	065	255	143	163	222
201 ⇔ 225	6000K	058	255	150	155	219
226 ⇔ 250	6500K	053	255	157	146	212
251 ⇔ 255		000	000	000	000	000



De bovenstaande kleurtemperaturen zijn gesimuleerde weergaven van de geproduceerde kleuropbrengst, in vergelijking met een wolfram-lamp bij de opgegeven kleurtemperatuur. Chauvet geeft geen garantie over de nauwkeurigheid van de kleuropbrengst.

Menumap

Raadpleeg de productpagina van Ovation H-55FC op www.chauvetprofessional.com voor de nieuwste menukaart.



RDM2go of een andere RDM-compatibele interface is vereist voor het instellen van een armatuur.

Hoofdniveau	Programmeerniveaus	Beschrijving
DMX Address	1–512*	Selecteert het start-adres (hoogste kanaal beperkt tot de gekozen persoonlijkheid)
DMX Channel	3CH	3-kanaals: dimmer, VCW, kleurtemperatuur
	5CH	5-kanaals: RGBAL
	7CH	7-kanaals: dimmer, RGBAL, stroboscoop
	10CH	10-kanaals: 16-bits dimmer, RGBAL, stroboscoop, VCW, kleurtemperatuur
	12CH	12-kanaals: dimmer, RGBAL, stroboscoop, VCW, kleurtemperatuur, automatisch programma en snelheid, controle
	13CH	13-kanaals: 16-bits dimmer, 16-bits RGBAL
	16CH	16-kanaals: 16-bits dimmer, 16-bits RGBAL, stroboscoop, VCW, kleurtemperatuur, controle
	HSV	3-kanaals: tint, verzadiging, waarde
Dimmer Curve	S-Curve	S-curve
	Linear	Lineaire curve
	Square	Vierkante curve
	Inverse Square	Omgekeerde vierkante curve
Dimmer Mode	OFF	Ogenblikkelijke dimmer
	Dimmer 1–3	Dimmer-modi van 1 (snel) tot 3 (langzaam)
LED Frequency	600Hz	Selecteert de PWM-uitgangsfrequentie
	1200Hz	
	2000Hz	
	4000Hz	
	6000Hz	
Factory Default	No	Herstellen naar de fabrieksstandaard
	Yes	

Hoofdniveau	Programmeerniveaus				Beschrijving
Specific PIDS	1	82C8	Clean All Data	0	Nee
				1	Ja
	2	8218	Static-Red	0–255	Combineert rood, groen, blauw, amber en lime om een aangepaste kleur te genereren
	3	8219	Static-Green	0–255	
	4	8220	Static-Blue	0–255	
	5	8221	Static-Amber	0–255	
	6	8222	Static-Lime	0–255	
	7	8209	Auto Show	0–5	
	8	8210	Auto Speed	1–100	Stelt de programmasnelheid in
	9	8211	Master/Slave	0	Meester -modus
				1	Slaaf-modus
	10	8212	W-DMX On/Off	0	W-DMX uit
				1	W-DMX aan
	11	8215	Receive Reset	0	Reset de ontvanger niet
				1	Reset de ontvanger
	12	8216	Emergency Mode	0	Noodmodus uit
				1	Noodmodus aan
	13	8200	White Balance-Red	125–255	Stelt de maximum waarde van de rode LED in
14	8201	White Balance-Green	125–255	Stelt de maximum waarde van de groene LED in	
15	8202	White Balance-Blue	125–255	Stelt de maximum waarde van de blauwe LED in	
16	8204	White Balance-Amber	125–255	Stelt de maximum waarde van de amber LED in	
17	8205	White Balance-Lime	125–255	Stelt de maximum waarde van de limoen LED in	
18	82BC	Red Shift	0	Rode shift uit	
			1	Rode shift aan	

DMX-waarden

HSV

Kanaal	Functie	Waarde	Percentage/Instelling
1	Tint	000 ⇔ 255	0–100%
2	Verzadiging	000 ⇔ 255	0–100%
3	Waarde	000 ⇔ 255	0–100%

16Ch

Kanaal	Functie	Waarde	Percentage/Instelling
1	Dimmer	000 ⇔ 255	0–100%
2	Fijne Dimmer	000 ⇔ 255	0–100% (16-bits)
3	Rood	000 ⇔ 255	0–100%
4	Fijne rood	000 ⇔ 255	0–100% (16-bits)
5	Groen	000 ⇔ 255	0–100%
6	Fijne groen	000 ⇔ 255	0–100% (16-bits)
7	Blauw	000 ⇔ 255	0–100%
8	Fijne blauw	000 ⇔ 255	0–100% (16-bits)
9	Amber	000 ⇔ 255	0–100%

Kanaal	Functie	Waarde	Percentage/Instelling
10	Fijne amber	000 ⇔ 255	0–100% (16-bits)
11	Lime	000 ⇔ 255	0–100%
12	Fijne lime	000 ⇔ 255	0–100% (16-bits)
13	Stroboscoop	000 ⇔ 010 011 ⇔ 255	Geen functie Stroboscoop, langzaam naar snel
14	Virtueel kleurenwiel	000 ⇔ 255	Zie Virtueel kleurenwiel-kaart (VCW)
15	Kleurtemperaturen	000 ⇔ 255	Zie Kleurtemperatuur-kaart
16	Controle (houd 3 seconden ingedrukt)	000 ⇔ 007	Geen functie
		008 ⇔ 015	Dimmer reset
		016 ⇔ 023	Rode shift aan
		024 ⇔ 031	Rode shift uit
		032 ⇔ 039	S-curve dimcurve
		040 ⇔ 047	Lineaire dimcurve
		048 ⇔ 055	Vierkante dimcurve
		056 ⇔ 063	Omgekeerde vierkante dimcurve
		064 ⇔ 071	Dimmer snelheidsmodus uit
		072 ⇔ 079	Dimmer snelheidsmodus 1 (snel)
		080 ⇔ 087	Dimmer snelheidsmodus 2
088 ⇔ 095	Dimmer snelheidsmodus 3 (langzaam)		
096 ⇔ 255	Gereserveerd voor toekomstig gebruik		

13Ch

Channel	Function	Value	Percent/Setting
1	Dimmer	000 ⇔ 255	0–100%
2	Fijne Dimmer	000 ⇔ 255	0–100% (16-bits)
3	Rood	000 ⇔ 255	0–100%
4	Fijne rood	000 ⇔ 255	0–100% (16-bits)
5	Groen	000 ⇔ 255	0–100%
6	Fijne groen	000 ⇔ 255	0–100% (16-bits)
7	Blauw	000 ⇔ 255	0–100%
8	Fijne blauw	000 ⇔ 255	0–100% (16-bits)
9	Amber	000 ⇔ 255	0–100%
10	Fijne amber	000 ⇔ 255	0–100% (16-bits)
11	Lime	000 ⇔ 255	0–100%
12	Fijne lime	000 ⇔ 255	0–100% (16-bits)
13	Stroboscoop	000 ⇔ 010	Geen functie
		011 ⇔ 255	Stroboscoop, langzaam naar snel

12Ch

Channel	Function	Value	Percent/Setting
1	Dimmer	000 ⇔ 255	0–100%
2	Rood	000 ⇔ 255	0–100%
3	Groen	000 ⇔ 255	0–100%
4	Blauw	000 ⇔ 255	0–100%
5	Amber	000 ⇔ 255	0–100%
6	Lime	000 ⇔ 255	0–100%
7	Stroboscoop	000 ⇔ 010	Geen functie
		011 ⇔ 255	Stroboscoop, langzaam naar snel
8	Virtueel kleurenwiel	000 ⇔ 255	Zie Virtueel kleurenwiel-kaart (VCW)
9	Kleurtemperaturen	000 ⇔ 255	Zie Kleurtemperatuur-kaart

Channel	Function	Value	Percent/Setting
10	Automatische Programma	000 ⇔ 010	Geen functie
		011 ⇔ 060	Automatische programma 1
		061 ⇔ 110	Automatische programma 2
		111 ⇔ 160	Automatische programma 3
		161 ⇔ 210	Automatische programma 4
		211 ⇔ 255	Automatische programma 5 (Automatische programma's 1-4)
11	Programmasnelheid	000 ⇔ 255	Automatische programmasnelheid, langzaam naar snel
12	Controle (houd 3 seconden ingedrukt)	000 ⇔ 007	Geen functie
		008 ⇔ 015	Dimmer reset
		016 ⇔ 023	Rode shift aan
		024 ⇔ 031	Rode shift uit
		032 ⇔ 039	S-curve dimcurve
		040 ⇔ 047	Lineaire dimcurve
		048 ⇔ 055	Vierkante dimcurve
		056 ⇔ 063	Omgekeerde vierkante dimcurve
		064 ⇔ 071	Dimmer snelheidsmodus uit
		072 ⇔ 079	Dimmer snelheidsmodus 1 (snel)
		080 ⇔ 087	Dimmer snelheidsmodus 2
		088 ⇔ 095	Dimmer snelheidsmodus 3 (langzaam)
		096 ⇔ 255	Gereserveerd voor toekomstig gebruik

10Ch

Channel	Function	Value	Percent/Setting
1	Dimmer	000 ⇔ 255	0–100%
2	Fijne Dimmer	000 ⇔ 255	0–100% (16-bits)
3	Rood	000 ⇔ 255	0–100%
4	Groen	000 ⇔ 255	0–100%
5	Blauw	000 ⇔ 255	0–100%
6	Amber	000 ⇔ 255	0–100%
7	Lime	000 ⇔ 255	0–100%
8	Stroboscoop	000 ⇔ 010	Geen functie
		011 ⇔ 255	Stroboscoop, langzaam naar snel
9	Virtueel kleurenwiel	000 ⇔ 255	Zie Virtueel kleurenwiel-kaart (VCW)
10	Kleurtemperaturen	000 ⇔ 255	Zie Kleurtemperatuur-kaart

7Ch

Channel	Function	Value	Percent/Setting
1	Dimmer	000 ⇔ 255	0–100%
2	Rood	000 ⇔ 255	0–100%
3	Groen	000 ⇔ 255	0–100%
4	Blauw	000 ⇔ 255	0–100%
5	Amber	000 ⇔ 255	0–100%
6	Lime	000 ⇔ 255	0–100%
7	Stroboscoop	000 ⇔ 010	Geen functie
		011 ⇔ 255	Stroboscoop, langzaam naar snel

5Ch

Channel	Function	Value	Percent/Setting
1	Rood	000 ⇔ 255	0–100%
2	Groen	000 ⇔ 255	0–100%
3	Blauw	000 ⇔ 255	0–100%
4	Amber	000 ⇔ 255	0–100%
5	Lime	000 ⇔ 255	0–100%

3Ch

Channel	Function	Value	Percent/Setting
1	Dimmer	000 ⇔ 255	0–100%
2	Virtueel kleurenwiel	000 ⇔ 255	Zie Virtueel kleurenwiel-kaart (VCW)
3	Kleurtemperaturen	000 ⇔ 255	Zie Kleurtemperatuur-kaart

Technische Specificaties
Afmetingen en Gewicht

Lengte	Breedte	Hoogte	Gewicht
334 mm (13,14 in)	176 mm (6,92 in)	115 mm (4,52 in)	3,4 kg (7,4 lb)

Let op: Afmetingen in inches zijn afgerond.

Vermogen

Type Voeding	Bereik	Voltage Selectie
Schakelend (intern)	100–240 V, 50/60 Hz	Automatisch wisselend bereik

Parameter	120 V, 60 Hz	208 V, 60 Hz	230 V, 50 Hz
Consumptie	62 W	64 W	64 W
Bedrijfsstroom	0,541 A	0,308 A	0,278 A
Zekering	T2 A, 250 V	T2 A, 250 V	T2 A, 250 V

Stroom I/O	VS/Wereldwijd	VK/Europa
Vast stroomsnoer	Ongeïsoleerde draad	Ongeïsoleerde draad

Lichtbron

Type	Kleur	Aantal	Vermogen	Stroomsterkte	Levensduur
LED	Rood	6	2,62–5,25 W	840 mA	50 000 uur
	Groen	6			
	Blauw	6			
	Amber	4			
	Lime	4			

Photometrics

Filter/Lens	Stralingshoek	Field hoek	Verlichtingssterkte @ 5 m
80° filter	46,1°	76,8°	152 lux
65° lens	63,3°	86,9°	115 lux
45° lens	38,8°	78,4°	173 lux
25° lens	24,7°	46,7°	430 lux

Thermaal

Minimum Externe Temperatuur	Maximum Externe Temperatuur	Koeling
-4 °F (-20 °C)	113 °F (45 °C)	Convectie

DMX

I/O-stekkers	Kanaalbereik
5-pin XLR, W-DMX	3Ch, 5Ch, 7Ch, 10Ch, 12Ch, 13Ch, 16Ch of HSV

Bestellen

Productbeschrijving	Productnaam	Artikelcode	UPC Nummer
Ovation H-55FC (zwart)	OVATIONH55FCBLK	03031727	781462220754
Ovation H-55FC (wit)	OVATIONH55FCWHT	03031726	781462220747

Contact Us

General Information	Technical Support
Chauvet World Headquarters	
Address: 5200 NW 108th Ave. Sunrise, FL 33351 Voice: (954) 577-4455 Fax: (954) 929-5560 Toll Free: (800) 762-1084	Voice: (844) 393-7575 Fax: (954) 756-8015 Email: chauvetcs@chauvetlighting.com Website: www.chauvetprofessional.com
Chauvet Europe Ltd.	
Address: Unit 1C Brookhill Road Industrial Estate Pinxton, Nottingham, UK NG16 6NT Voice: +44 (0) 1773 511115 Fax: +44 (0) 1773 511110	Email: UKtech@chauvetlighting.eu Website: www.chauvetprofessional.eu
Chauvet Europe BVBA	
Address: Stokstraat 18 9770 Kruishoutem Belgium Voice: +32 9 388 93 97	Email: BNLtech@chauvetlighting.eu Website: www.chauvetprofessional.eu
Chauvet France	
Address: 3, Rue Ampère 91380 Chilly-Mazarin France Voice: +33 1 78 85 33 59	Email: FRtech@chauvetlighting.fr Website: www.chauvetprofessional.eu
Chauvet Germany	
Address: Bruno-Bürgel-Str. 11 28759 Bremen Germany Voice: +49 421 62 60 20	Email: DEtech@chauvetlighting.de Website: www.chauvetprofessional.eu
Chauvet Mexico	
Address: Av. de las Partidas 34 - 3B (Entrance by Calle 2) Zona Industrial Lerma Lerma, Edo. de México, CP 52000 Voice: +52 (728) 690-2010	Email: servicio@chauvet.com.mx Website: www.chauvetprofessional.mx

Visit the applicable website above to verify our contact information and instructions to request support. Outside the U.S., U. K., Ireland, Mexico, France, Germany, or Benelux, contact the dealer of record.



UL 1573
CSA C22.2 No. 166
E113093



RoHS

