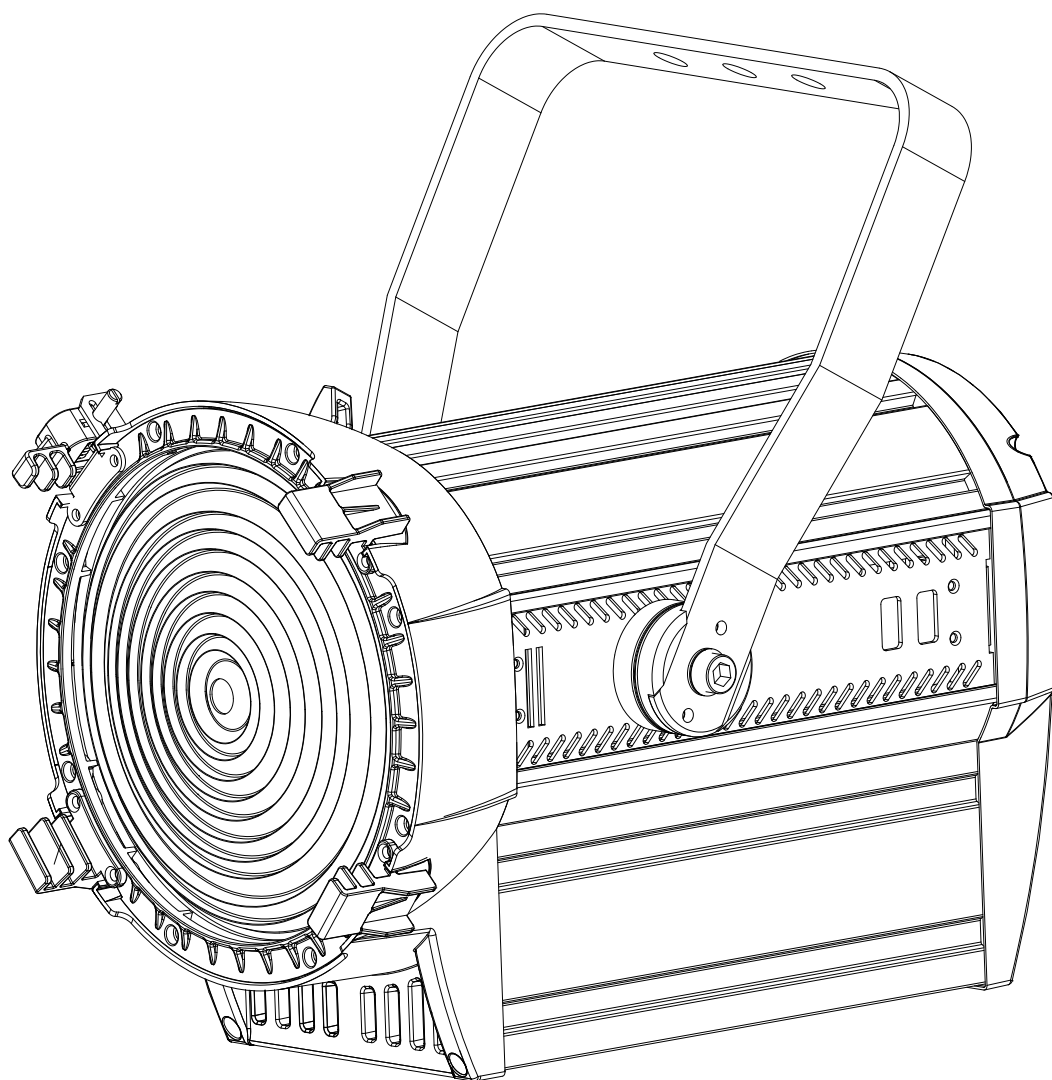


Ovation

FD-205WW

User Manual




CHAUVET
PROFESSIONAL

EDITION NOTES

The Ovation FD-205WW User Manual includes a description, safety precautions, installation, programming, operation and maintenance instructions for the Ovation FD-205WW.

Trademarks

CHAUVET, the Chauvet logo and Ovation FD-205WW are registered trademarks or trademarks of Chauvet & Sons, LLC (d/b/a Chauvet and Chauvet Lighting) in the United States and other countries. Other company and product names and logos referred to herein may be trademarks of their respective companies.

Copyright Notice

The works of authorship contained in this manual, including, but not limited to, all design, text and images are owned by Chauvet.

© **Copyright 2018 Chauvet & Sons, LLC. All rights reserved.**

Electronically published by Chauvet in the United States of America.

Manual Use

Chauvet authorizes its customers to download and print this manual for professional information purposes only. Chauvet expressly prohibits the usage, copy, storage, distribution, modification, or printing of this manual or its content for any other purpose without written consent from Chauvet.

Document Printing

For best results, print this document in color, on letter size paper (8.5 x 11 in), double-sided. If using A4 paper (210 x 297 mm), configure the printer to scale the content accordingly.

Intended Audience

Any person installing, operating, and/or maintaining this product should completely read through the guide that shipped with the product, as well as this manual, before installing, operating, or maintaining this product.

Disclaimer

Chauvet believes that the information contained in this manual is accurate in all respects. However, Chauvet assumes no responsibility and specifically disclaims any and all liability to any party for any loss, damage or disruption caused by any errors or omissions in this document, whether such errors or omissions result from negligence, accident or any other cause. Chauvet reserves the right to revise the content of this document without any obligation to notify any person or company of such revision, however, Chauvet has no obligation to make, and does not commit to make, any such revisions. Download the latest version from www.chauvetprofessional.com

Document Revision

This Ovation FD-205WW User Manual is the 1st edition of this document. Go to www.chauvetprofessional.com for the latest version.

TABLE OF CONTENTS

1. Before You Begin	3
What Is Included	3
Claims	3
Manual Conventions	3
Symbols	3
Safety Notes.....	4
Personal Safety.....	4
Mounting and Rigging	4
Power and Wiring.....	4
Operation	4
Expected LED Lifespan.....	4
2. Introduction	5
Description	5
Features.....	5
Product Overview.....	6
Product Dimensions.....	7
3. Setup	8
AC Power.....	8
AC Plug.....	8
Power Linking.....	8
Fuse Replacement.....	8
DMX Linking.....	8
DMX Personalities.....	8
Remote Device Management (RDM).....	9
Master/Slave Connectivity.....	9
Dimmer Modes.....	9
Mounting	9
Orientation.....	9
Rigging.....	10
Procedure.....	10
4. Operation	11
Control Panel Operation.....	11
Control Options	11
Programming.....	11
Control Panel Lock.....	11
Settings Lock.....	11
Passcode	11
Menu Map	12
DMX Personalities.....	13
DMX Control.....	13
DMX Values	14
STD.P.....	14
DOS	14
UNO	14
Loss of Signal Setting	14
Dimmer Control	14
Dimmer - Menu Control.....	14
Dimmer - Manual Control.....	15
Dimmer Speeds	15
Dimmer Curves	15
Master/Slave Mode	15
Reset.....	16

Zoom - Options Control.....	16
Setting Zoom Ranges	16
Resetting the Zoom Motor.....	16
Zoom - Menu Control	16
Zoom - Manual Control	16
LED Frequency	16
Power Performance Output Options	17
Power Output Options.....	17
System Information	17
5. Technical Information	18
Product Maintenance	18
6. Technical Specifications	19
Photometrics Chart	20
Returns.....	21
Contact Us	22

1. BEFORE YOU BEGIN

What Is Included

- Ovation FD-205WW
- Neutrik® powerCON® power cord
- Gel frame (7.5 in/191 mm accessories)
- Quick Reference Guide

Claims

Carefully unpack the product immediately and check the container to make sure all the parts are in the package and are in good condition.





If the box or the contents (the product and included accessories) appear damaged from shipping, or show signs of mishandling, notify the carrier immediately, not Chauvet. Failure to report damage to the carrier immediately may invalidate your claim. In addition, keep the box and contents for inspection.

For other issues, such as missing components or parts, damage not related to shipping, or concealed damage, file a claim with Chauvet within 7 days of delivery.

Manual Conventions

Convention	Meaning
1–512	A range of values
50/60	A set of values of which only one can be chosen
<SET>	A button on the product’s control panel
Settings	A product function or a menu option

Symbols

Symbol	Meaning
	Electrical warning. Not following these instructions may cause electrical damage to the product, accessories, or the user.
	Critical installation, configuration, or operation information. Not following these instructions may make the product not work, cause damage to the product, or cause harm to the operator.
	Important installation or configuration information. The product may not function correctly if this information is not used.
	Useful information.



Any reference to power connections in this manual assumes the use of Neutrik® powerCON® cables.



The term “DMX” used throughout this manual refers to the USITT DMX512-A digital data transmission protocol.

Safety Notes

Read all the following safety notes before working with this product. These notes contain important information about the installation, usage, and maintenance of this product.



This product contains no user-serviceable parts. Any reference to servicing in this User Manual will only apply to properly trained, certified technicians. Do not open the housing or attempt any repairs.



All applicable local codes and regulations apply to proper installation of this product.

Personal Safety

- DO NOT open this product. It contains no user-serviceable parts.
- To eliminate unnecessary wear and improve its lifespan, during periods of non-use completely disconnect the product from power via breaker or by unplugging it.
- DO NOT look at the light source when the product is on.
- CAUTION: This product's housing may be hot when lights are operating. Mount this product in a location with adequate ventilation, at least 20 in (50 cm) from adjacent surfaces.
- DO NOT leave any flammable material within 50 cm of this product while operating or connected to power.
- Do not touch the product's housing when operating because it may be very hot.

Mounting and Rigging

- DO NOT operate this product outdoors or in any location where dust, excessive heat, water, or humidity may affect it. (IP20).
- CAUTION: When transferring product from extreme temperature environments, (e.g., cold truck to warm, humid ballroom) condensation may form on the internal electronics of the product. To avoid causing a failure, allow product to fully acclimate to the surrounding environment before connecting it to power.
- Mount this product in a location with adequate ventilation, at least 20 in (50 cm) from adjacent surfaces.
- ONLY use the hanging/mounting bracket to carry this product.
- Make sure there are no flammable materials close to the product when operating.
- When hanging this product, always secure to a fastening device using a safety cable.

Power and Wiring

- Always make sure you are connecting the product to the proper voltage in accordance with the specifications in this manual or on the product's specification label.
- Always disconnect the product from the power source before cleaning or replacing the fuse.
- Always connect the product to a grounded circuit to avoid the risk of electrocution.
- Never disconnect this product by pulling or tugging on the power cable.

Operation

- Do not operate this product if there is damage on the housing, lenses, or cables. Have the damaged parts replaced by an authorized technician at once.
- Do not cover the ventilation slots when operating to avoid internal overheating.
- The maximum ambient temperature is 113 °F (45 °C). Do not operate the product at higher temperatures.
- In the event of a serious operation problem, stop using this product immediately!



If your Chauvet product requires service, contact Chauvet Technical Support.

Expected LED Lifespan

LEDs gradually decline in brightness over time, primarily because of heat. LEDs that are arranged in clusters experience higher operating temperatures than single LEDs. For this reason, operating clustered LEDs at their fullest intensity significantly reduces the LEDs' lifespan. Under normal conditions, this lifespan is 40,000 to 50,000 hours. If extending this lifespan is vital, lower the operating temperature by improving the ventilation around the product, thus reducing the ambient temperature. In addition, limiting the overall projection intensity may extend the LEDs' lifespan.

2. INTRODUCTION

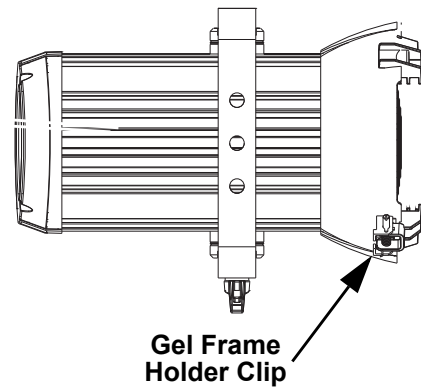
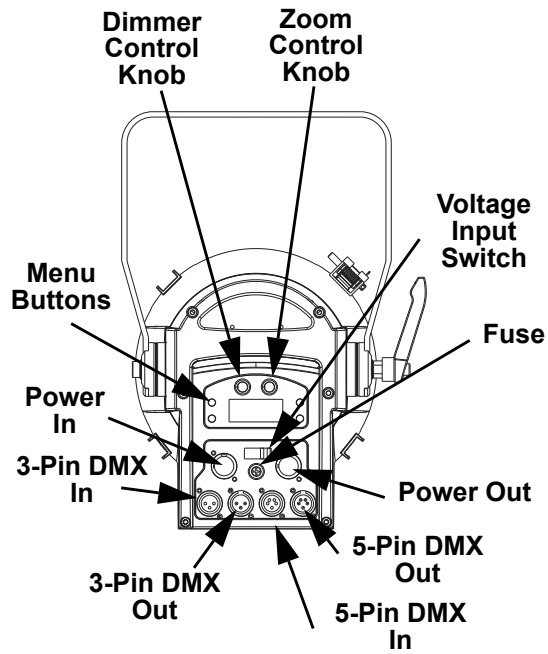
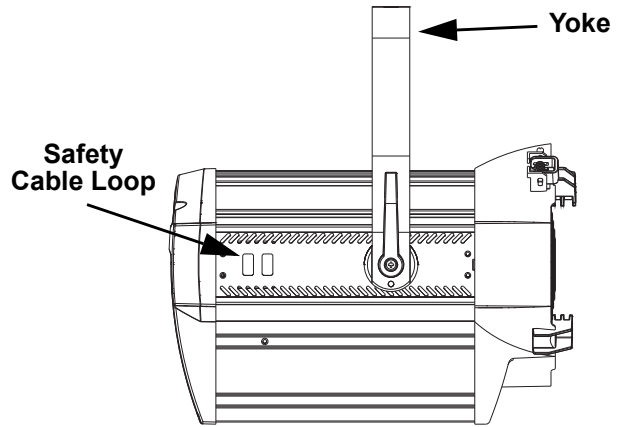
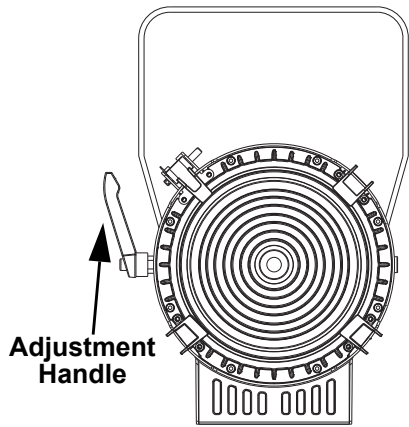
Description

The Ovation FD-205WW is a powerful LED Fresnel wash utilizing data and power sensors that make it possible to run it on both conventional dimming power systems and constant power rigs. A massive zoom range of 20° to 72° and a beautifully soft, warm white wash with high CRI make it an ideal LED replacement for aging incandescent eight-inch Fresnels. Our proprietary motorized zoom is easily accessed by the rotary knob on the back of the fixture even when the fixture is run via a traditional dimming system. Enjoy the benefits of LED lighting without being held back by previous investments made in major dimming systems.

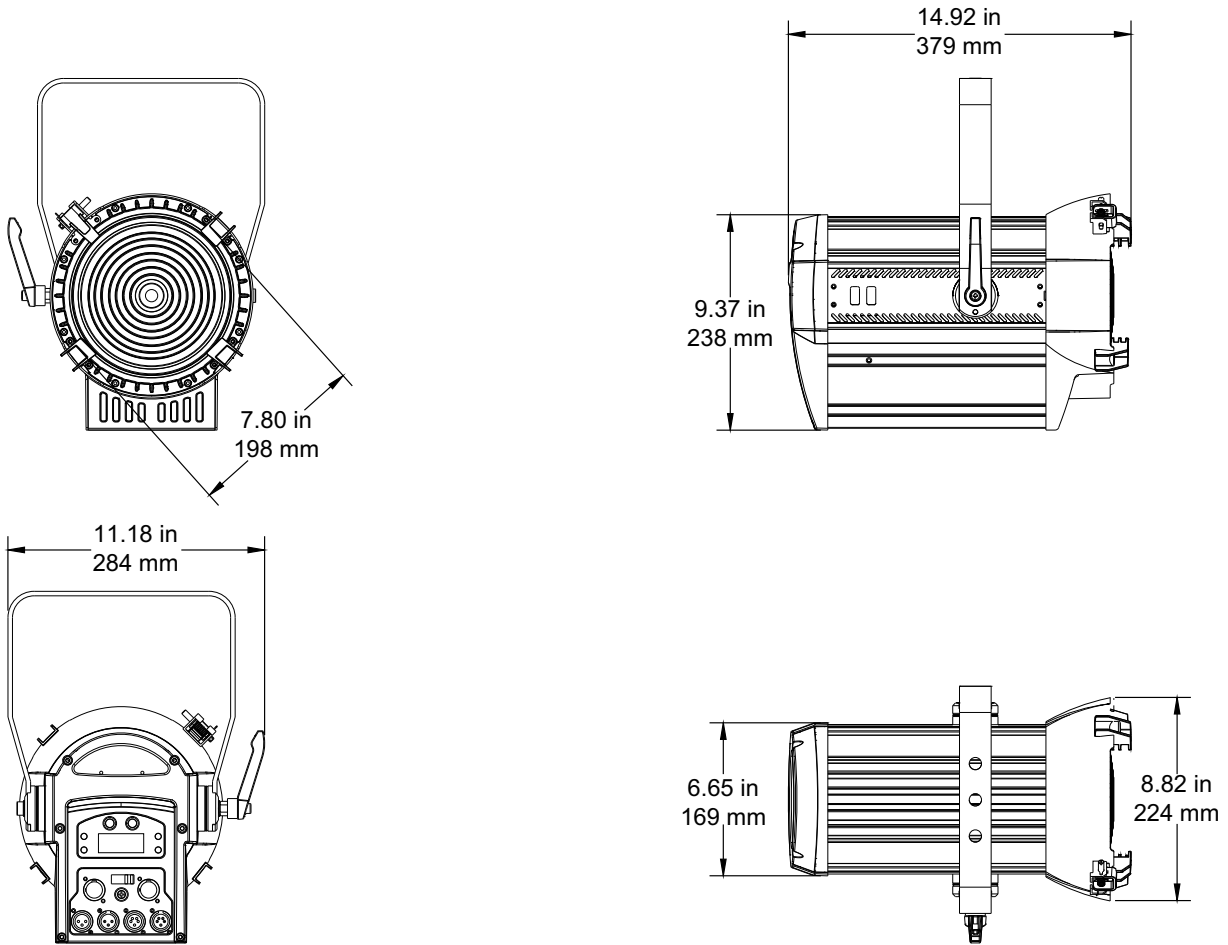
Features

- 1, 2 or 5-channel Warm White LED wash product
- Operating modes:
 - 1-channel: Dimmer (UNO)
 - 2-channel: 16-bit Dimmer (DOS)
 - 5-channel: 16-bit Dimmer, strobe, zoom, motor reset
- Works perfectly on conventional dimmers or constant power with DMX
- Auto-senses what kind of system (dimmers or constant power with DMX) and responds appropriately
- Superior low end dimming regardless of power supplied (conventional dimmer/constant power with DMX)
- Perfect fixture for the retrofit market, utilizes existing infrastructure flawlessly
- Motorized zoom feature available in Dimmer, SENS or DMX modes
- 16-bit dimming resolution (DMX mode) for smooth fades
- Soft and even field of light
- Virtually silent operation for use in any situation
- Simple and complex DMX channel profiles for programming versatility
- Warm white Fresnel-style lighting fixture
- Motorized zoom angle between 20° to 72°, manually or via DMX

Product Overview



Product Dimensions



3. SETUP

AC Power

Each Ovation FD-205WW has a switchable power supply that can work with an input voltage of 120 VAC, 60 Hz or 230 VAC, 50 Hz. To determine the power requirements for each Ovation FD-205WW, refer to the label affixed to the product. You can also refer to the Technical Specifications chart in this manual.

The listed current rating indicates the maximum current draw during normal operation. For more information, download Sizing Circuit Breakers from the Chauvet website: www.chauvetprofessional.com.



- **Always connect the product to a protected circuit (circuit breaker or fuse). Make sure the product has an appropriate electrical ground to avoid the risk of electrocution or fire.**
- **To eliminate unnecessary wear and improve its lifespan, during periods of non-use completely disconnect the product from power via breaker or by unplugging it.**

AC Plug

The Ovation FD-205WW comes with a power input cord terminated with a Neutrik® powerCON® A connector on one end and an Edison plug on the other end (U.S. market). If the power input cord that came with your product has no plug, or if you need to change the plug, use the table below to wire the new plug.

Connection	Wire (U.S.)	Wire (Europe)	Screw Color
AC Live	Black	Brown	Yellow or Brass
AC Neutral	White	Blue	Silver
AC Ground	Green/Yellow	Green/Yellow	Green

Power Linking

The product supports power linking. You can power link up to 8 products at 120 V; or 16 at 230 V. This product comes with a power input cord. Power linking cables are available from Chauvet for purchase.

Fuse Replacement

1. Disconnect this product from the power outlet.
2. Using a Phillips-head screwdriver, unscrew the fuse holder cap from the housing.
3. Remove the blown fuse and replace with another fuse of the same type and rating (T 3.15 A, 250 V).
4. Screw the fuse holder cap back in place and reconnect power.



Make sure to disconnect the product's power cord before replacing a blown fuse. Always replace the blown fuse with another of the same type and rating.

DMX Linking

You can link the Ovation FD-205WW to a DMX controller using a 3- or 5-pin DMX connection. If using other DMX-compatible products with this product, you can control each individually with a single DMX controller.

DMX Personalities

The Ovation FD-205WW uses a 3- or 5-pin DMX data connection for the 1-, 2- and 5-channel DMX personalities.

- Refer to the Introduction for a brief description of each DMX personality.
- Refer to the Operation chapter to learn how to configure the Ovation FD-205WW to work in these personalities.
- The DMX Values section provides detailed information regarding the DMX personalities.

Remote Device Management (RDM)

Remote Device Management, or RDM, is a standard for allowing DMX-enabled devices to communicate bi-directionally along existing DMX cabling. Check the DMX controller's User Manual or with the manufacturer as not all DMX controllers have this capability. The Ovation FD-205WW supports RDM protocol that allows feedback to make changes to menu map options.

Master/Slave Connectivity

The Master/Slave mode allows a Ovation FD-205WW (the master) to control one or more Ovation FD-205WW products (the slaves) without a DMX controller. One Ovation FD-205WW becomes the master when running an auto or custom program, or by being in a Static mode.

You must configure each slave's control panel to operate in Slave mode. During Master/Slave operation, the slaves will operate in unison with the master.



DO NOT connect a DMX controller to products operating in Master/Slave mode. The DMX controller signals may interfere with the signals from the master.



- The **Operation** section of this manual provides detailed instructions on how to configure the master and slaves.
- If you are not familiar with DMX standards or Master/Slave connectivity, download the DMX Primer from the Chauvet website www.chauvetprofessional.com for more information.

Dimmer Modes

The Ovation FD-205WW may be plugged into and controlled using a regular dimmer.

- When in **SENS** mode, advanced onboard electronics automatically detect what type of power and data the product receives and it responds accordingly. This is the factory default setting.
- When in **DMX** mode, the product runs only on constant power and is controlled solely on DMX. The product will not respond to dimmer control in this mode.
- When in **DMMR** mode, DMX control is turned off. Intensity is controlled using a dimmer. In this mode, the product reacts exactly like an incandescent product.

For the best performance while running on dimmers, use the settings listed below:

1. Go to the **SETTING** main level.
2. Select the **DIMMER** programming level.
3. Select **DIM4**.
4. Go back to **SETTING** main level.
5. Select the **CURVE** programming level.
6. Select **CURVE3**.

Mounting

Before mounting the product, read and follow the safety recommendations indicated in the Safety Notes. For our CHAUVET Professional line of mounting clamps, go to <http://trusst.com/products/>.

Orientation

Always mount this product in a safe position, making sure there is adequate room for ventilation, configuration, and maintenance.

Rigging

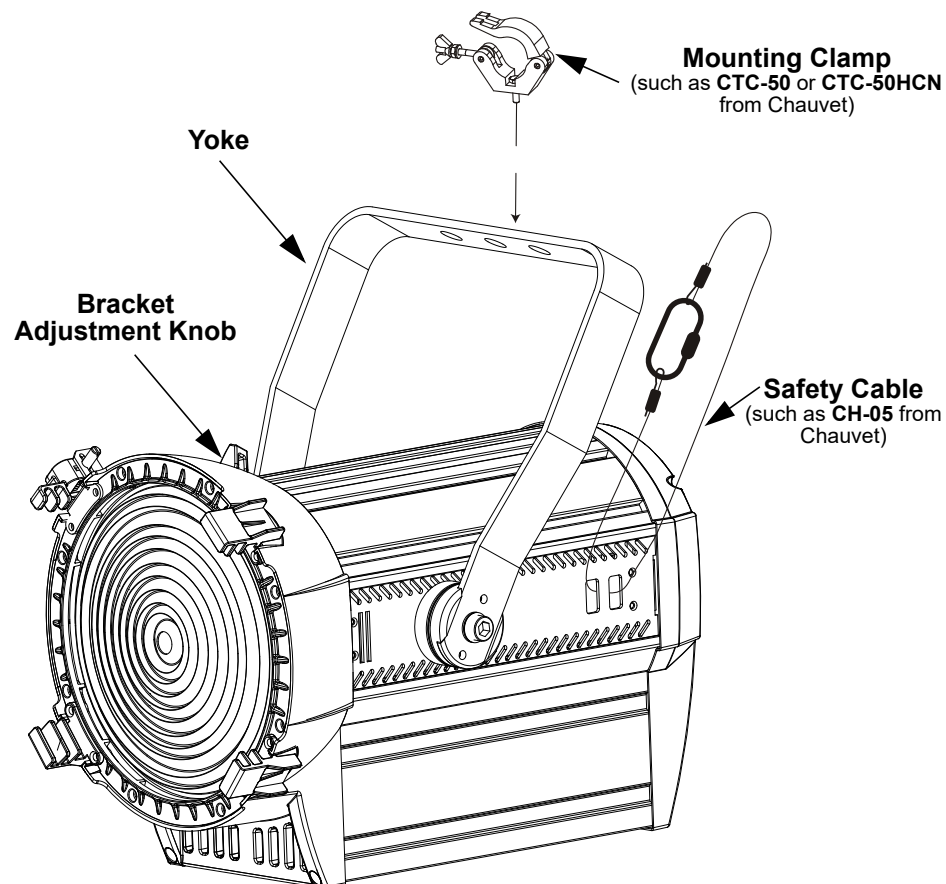
Chauvet recommends using the following general guidelines when mounting this product.

- Before deciding on a location for the product, make sure there is easy access to the product for maintenance and programming purposes.
- Make sure that the structure onto which you are mounting the product can support the product's weight. See the [Technical Specifications](#) for weight information.
- When mounting the product overhead, always use a safety cable. Mount the product securely to a rigging cable, whether an elevated platform or a truss.
- When rigging the product onto a truss, use a mounting clamp of appropriate weight capacity.
- When power linking multiple products, mount the products close enough for power linking cables to reach.
- The bracket adjustment knobs allow for directional adjustment when aiming the product to the desired angle. Only loosen or tighten the bracket knobs manually. Using tools could damage the knobs.

Procedure

The Ovation FD-205WW comes with a hanging/mounting yoke to which you can attach mounting clamps. The yoke has 13-mm holes, which are appropriate for this purpose. You must supply your own mounting clamps, so be sure the clamps are capable of supporting the weight of this product. Use at least one mounting point per product where necessary. For our Chauvet line of mounting clamps, go to <http://www.trusst.com/products>.

Mounting Diagram



4. OPERATION

Control Panel Operation

Button	Function
<MENU>	Exits from the current menu or function
<ENTER>	Enables the currently displayed menu or sets the currently selected value in to the current function
<UP>	Navigates upward through the menu list or increases the numeric value when in a function
<DOWN>	Navigates downward through the menu list or decreases the numeric value when in a function
<DIM>	Press 2 times rapidly to access the dimmer function. Use knob to adjust dimmer intensity.
<ZOOM>	Press 2 times rapidly to access the zoom function. Use knob to adjust the zoom.

Control Options

Set the Ovation FD-205WW starting address in the 001-512 DMX range. This enables control of up to 102 products in the 5-channel **STD.P** personality.

Programming

Refer to the Menu Map to understand the menu options. The menu map shows the main level and a variable number of programming levels for each option.

- To go to the desired main level, press **<MENU>** repeatedly until the option shows on the display. Press **<ENTER>** to select. This will take you to the first programming level for that option.
- To select an option or value within the current programming level, press **<UP>** or **<DOWN>** until the option shows on the display. Press **<ENTER>** to select. In this case, if there is another programming level, you will see that first option, or you will see the selected value.
- Press **<MENU>** repeatedly to exit to the previous main level.

Control Panel Lock

This setting enables you to activate or disable the control panel lock, which keeps unauthorized users from changing the product's settings.

1. Go to the **SETTING** main level
2. Select **KEY**.
3. Choose **ON** or **OFF**.



When the control panel lock is activated, in order to access the products main programming level, the product will prompt for the passcode. Enter the passcode as described below.

Settings Lock

This setting enables you to activate or disable the settings lock, which keeps non-authorized personnel from making any changes to the programming levels under the **SET** main level.

1. Go to the **SETTING** main level.
2. Select **SLOCK**
3. Choose **ON** or **OFF**.



When the settings lock is activated, in order to access the SETTINGS level, the product will prompt for the passcode. Enter the passcode as described below.

Passcode

After being prompted to enter the passcode:

Press **<UP>**, **<DOWN>**, **<UP>**, **<DOWN>**, **<ENTER>**

Menu Map

Main Level	Programming Levels		Description
STATIC	DIMMER	0-100	Local control of output
	ZOOM		Local control of zoom lens
RUN MODE	DMX 512		Sets the mode to DMX control
	SLAVE		Sets the mode to master/slave
	DMMR		Sets the mode to dimmer control, which turns off data input
	SENS		Automatically chooses between DMMR and DMX
POWER MODE	575W		Matches output to 575W incandescent fixture
	750W		Matches output to 750W incandescent fixture
ADDRESS	001-512		Sets the starting address
MOTOR	YES		Resets the Zoom Motor
	NO		
SETTING	KEY	ON	Sets the key lock (Passcode mode)
		OFF	
	DIMMER	OFF	No dimmer
		DIM1	Slow (DIM4) to fast (DIM1) dimmer speeds
		DIM2	
		DIM3	
		DIM4	
	CURVE	OFF	No dimmer
		CURVE1	Large (CURVE3) to small (CURVE1) dimmer curves
		CURVE2	
	CURVE3		
	PERSONALITY	UNO	Selects DMX personality
		DOS	
		STD.P	
	SLOCK	ON	SETTING menu level access lock
		OFF	
	DMX ERROR	SAVE	Continues with last command upon loss of DMX control
		BLACK	Blacks out fixture upon loss of DMX
	RESET	PASS CODE (Enter Passcode)	Resets fixture to factory defaults
	ZOOM	BASE	Sets default zoom position (full movement)
		POSE1	Sets position 1 setting for zoom limit
		POSE2	Sets position 2 setting for zoom limit
	PERFORM	LIVE	Balances LED cooling using fans and output power level
		STUDIO	Maintains LED cooling by limiting output power level
MODE SETTING	SELF	No DMX data is sent in standalone operation	
	MAST	Sends DMX data to other Ovation FD-205WW during standalone operation	

Main Level	Programming Levels				Description
SETTING	PWM		600Hz		PWM Selection
			1200Hz		
			2000Hz		
			4000Hz		
			6000Hz		
			25KHz		
CALIBRATION	PASS CODE (Enter Passcode)	CALZ	POSE1	0-255	Sets min/max position of zoom
			POSE2		
INFO	VERSION		V__		Software Version Number
	RDM	UID	-----		Unique Identification Code
		LABEL	-----		Product Model

DMX Personalities

This setting allows you to choose a particular DMX personality.

1. Go to the **SETTING** main level.
2. Select **PERSONALITY**.
3. Choose the desired personality (**UNO**, **DOS**, or **STD.P**).



- See the [DMX Control](#) section for the highest starting address you can select for each personality.
- Make sure that the starting addresses on the various products do not overlap due to the new personality setting.

DMX Control

In this mode, each product will respond to a unique starting address from the DMX controller. All products with the same starting address will respond in unison.

1. Select a DMX personality as shown in [DMX Personalities](#).
2. Set the Running Mode:
 - a. Go to **RUN MODE** main level.
 - b. Select **DMX 512**.
 - **Note:** For information on the **SLAVE** option, see [Master/Slave Mode](#).
3. Set the starting address:
 - a. Go to **ADDRESS** main level.
 - b. Select the starting address (**001–512**).

The highest recommended starting address for each DMX mode is as follows:

DMX Personality	DMX Address
UNO	512
DOS	511
STD.P	508

DMX Values

STD.P

Channel	Function	Value	Percent/Setting
1	Dimmer	000 ⇄ 255	0-100%
2	Fine Dimmer	000 ⇄ 255	Fine control (16-bit)
3	Strobe	000 ⇄ 009	No function
		010 ⇄ 099	Slow to fast
		100 ⇄ 109	No function
		110 ⇄ 179	Lightning effect from slow to fast
		180 ⇄ 189	No function
190 ⇄ 255	Random effect from slow to fast		
4	Zoom	000 ⇄ 255	Narrow-wide
5	Zoom Motor Reset	000 ⇄ 200	No function
		201 ⇄ 220	Zoom motor reset
		221 ⇄ 255	No function

DOS

Channel	Function	Value	Percent/Setting
1	Dimmer	000 ⇄ 255	0-100%
2	Fine Dimmer	000 ⇄ 255	Fine control (16-bit)

UNO

Channel	Function	Value	Percent/Setting
1	Dimmer	000 ⇄ 255	0-100%

Loss of Signal Setting

This setting controls how the product responds when the DMX signal is lost.

1. Go to the **SETTING** main level
2. Select **DMX ERROR**.
3. Choose **BLACK** to turn off the LEDs when the signal is lost or **SAVE** to use the last command programmed when the signal is lost.

Dimmer Control

The Ovation FD-205WW may be plugged into and controlled using a regular dimmer or by being plugged into constant power and using DMX control. By default the product is set to **SENS** which automatically senses the type of power/control being used and sets the product to react accordingly. The product may also be set to **DMMR** mode which turns off the DMX control and only allows exclusive control of the product via the dimmer.

1. Go to the **RUN MODE** main level.
2. Choose **DMMR** or **SENS**.



When SENS and DMMR modes are active, the only control panel button that will work will be the <ENTER> button which will allow you to change modes.

Dimmer - Menu Control

To adjust the light output of the Ovation FD-205WW, select the dimmer setting as follows:

1. Go to the **STATIC** main level.
2. Select **DIMMER**.
3. Choose the desired dimmer setting **000–100** (0–100% light output)

Dimmer - Manual Control

Manually adjust the light output by using the dimmer adjustment knob, as follows:

1. Press the dimmer adjustment knob above the display twice.
2. Select the desired dimmer setting **000–100** (0–100% light output) by turning the knob clockwise (value increases) or counter-clockwise (value decreases).



- When using the dimmer adjustment knob, the lowest dimmer value stops at **000** and the highest dimmer value stops at **100**.
- During manual dimmer control, you can also use **<UP>** or **<DOWN>**, which will cycle through all the dimmer values.

Dimmer Speeds

Select the dimmer speed of the Ovation FD-205WW by selecting the **DIMMER** programming level.

1. Go to the **SETTING** main level.
2. Select **DIMMER**.
3. Choose a dimmer speed **DIM1–DIM4** (fast to slow) or **OFF** (linear output).



When selecting **DIM1–DIM4**, the output will correspond to the dimmer curve option selected under the dimmer curves programming level (**CURV**).

Dimmer Curves

Select the dimmer curve of the Ovation FD-205WW by selecting the **CURVE** programming level. These options simulate the dimmer curve of an incandescent lighting product.

1. Go to the **SETTING** main level.
2. Select **CURVE**.
3. Choose a dimmer speed **CURVE1–CURVE3** (small to large) or **OFF** (linear output).

Master/Slave Mode

The Master/Slave mode allows a single Ovation FD-205WW (the “master”) to control the actions of one or more Ovation FD-205WW products (the “slaves”) without the need of a DMX controller to control the slaves. The master will be set to operate in Master mode (**MAST**), while the slaves will be set to operate in Slave mode (**SLAVE**). Once set and connected, the slaves will operate in unison with the master.

To set each of the slaves:

1. Go to the **RUN MODE** main level.
2. Select **SLAVE**.
3. Connect the DMX input of the first slave to the DMX output of the master.
4. Connect the DMX input of the subsequent slaves to the DMX output of the previous slave
5. Finish setting and connecting all the slaves

To set the master:

1. Go to the **SETTING** main level
2. Select **MODE SETTING**.
3. Select **MAST**.
 - **Note:** If you select **SELF**, no DMX signals are sent to the slaves.
4. Make the master the first product in the DMX daisy chain.
5. Control the master using the DMX controller and the slaves will operate in unison.



- The master is the one that runs a program in Static mode.
- Do not connect a DMX controller to the products configured for Master/Slave operation. The DMX controller may interfere with signals from the master.
- The master should be the first product in the daisy chain.

Reset

To reset the Ovation FD-205WW to the factory default settings:

1. Go to the **SETTING** main level.
2. Select the **RESET** programming level and then the display becomes blank.
3. Enter the passcode as described in [Passcode](#).
4. "OK" appears on the display when finished.

Zoom - Options Control

The Ovation FD-205WW offers three zoom options during the operation of the OVATION FD-165WW. To select from these options, do the following.

1. Go to the **SETTING** main level.
2. Select the **ZOOM** programming level.
3. Choose from the following options:
 - a. Select **BASE** for the default zoom position (full movement).
 - b. Select **POS1** for the position 1 zoom range.
 - c. Select **POS2** for the position 2 zoom range.

Setting Zoom Ranges

These settings allow you to select the zoom ranges for **POS1** and **POS2** during menu control of the zoom.

1. Go to the **CALIBRATION** main level.
2. Enter the passcode as described in [Passcode](#).
3. Go to the **CALZ** programming level.
4. Select **POSE1** (position 1) or **POSE2** (position 2).
5. Select the desired maximum for the zoom **000–255** (0–100%).
6. Repeat to select the other position setting.

Resetting the Zoom Motor

To reset the zoom motor, do the following.

1. Go to the **MOTOR** main level.
2. Select **YES**.



Note: Selecting NO does not reset the zoom's motor.

Zoom - Menu Control

To adjust the beam of the Ovation FD-205WW, select the zoom setting as follows:

1. Go to the **STATIC** main level.
2. Select **ZOOM**.
3. Choose the desired zoom setting **000–100**.

Zoom - Manual Control

Manually adjust the zoom by using the zoom adjustment knob, as follows.

1. Press the zoom adjustment knob above the display twice.
2. Select the desired zoom setting **000–100** by turning the knob clockwise (value increases) or counter-clockwise (value decreases)..



- When using the zoom adjustment knob, the lowest zoom value stops at **000** and the highest zoom value stops at **100**.
- During manual zoom control, you can also use **<UP>** or **<DOWN>**, which will cycle through all the zoom values.

LED Frequency

This option changes the Pulse Width Modulation (PWM) frequency of the LEDs on the Ovation FD-205WW.

1. Go to the **SETTING** main level.
2. Select the **PWM** programming level.
3. Choose a PWM Frequency (**600Hz**, **1200Hz**, **2000Hz**, **4000Hz**, **6000Hz**, or **25Khz**).

Power Performance Output Options

The Ovation FD-205WW offers two power output options during the cooling of the fixture's LEDs.

1. Go to the **SETTING** main level.
2. Select **PERFORM**.
 - Select **LIVE** to cool the LEDs by balancing the use of the fan and the power output level.
 - Select **STUDIO** to cool the LEDs by maintaining the use of the fan and limiting the power output level.

Power Output Options

The Ovation FD-205WW offers two output modes to reasonably duplicate incandescent products with a 575 Watt or 750 Watt output.

1. Go to the **POWER MODE** main level.
2. Choose **575W** or **750W**.

System Information

This option displays the installed software version, and the product's UID.

1. Go to the **INFO** main level.
2. Select **VERSION** or **RDM**.
 - The product version, UID, or label will be displayed.

5. TECHNICAL INFORMATION

Product Maintenance

To maintain optimum performance and minimize wear, clean this product frequently. Usage and environment are contributing factors in determining the cleaning frequency.

Clean this product at least twice a month. Dust build-up reduces light output performance and can cause overheating. This can lead to reduced light source life and increased mechanical wear.

To clean the product:

1. Unplug the product from power.
2. Wait until the product is at room temperature.
3. Use a vacuum (or dry compressed air) and a soft brush to remove dust collected on the external vents.
4. Clean all transparent surfaces with a mild soap solution, ammonia-free glass cleaner, or isopropyl alcohol.
5. Apply the solution directly to a soft, lint free cotton cloth or a lens cleaning tissue.
6. Softly drag any dirt or grime to the outside of the transparent surface.
7. Gently polish the transparent surfaces until they are free of haze and lint.



Always dry the transparent surfaces carefully after cleaning them.

6. TECHNICAL SPECIFICATIONS

Dimensions and Weight

Length	Width	Height	Weight
10.28 in (261 mm)	11.18 in (284 mm)	16.22 in (412 mm)	14 lb (6.4 kg)

Note: Dimensions in inches rounded to the nearest hundredth.

Power

Power Supply Type	Range	Voltage Selection
Switchable	120/240 VAC, 50/60 Hz	120 or 230 VAC
Parameter	120 V, 60 Hz	230 V, 50 Hz
Consumption	182 W	188 W
Operating Current	1.52 A	0.819 A
Power linking current (products)	13.6 A (8 products)	13.6 A (16 products)
Fuse	T 3.15 A, 250 V	T 3.15 A, 250 V
Power I/O	U.S./Canada	Worldwide
Power input connector	Neutrik powerCON	Neutrik powerCON
Power output connector	Neutrik powerCON	Neutrik powerCON
Power Cord plug	Edison (U.S.)	Local Plug

Light Source

Type	Power	Lifespan
LED	230 W	50,000 hours
Color	Quantity	Current
Warm White	1	2.5 A

Photometrics

Parameter	Narrow Zoom	Wide Zoom
Beam Angle	11°	53°
Field Angle	20°	72°
Illuminance @ 5 m	5,678lux	450 lux

Thermal

Maximum External Temperature	Cooling System
113 °F (45 °C)	Convection

DMX

I/O Connector	Channel Range
3- and 5-pin XLR	1,2 or 5

Ordering

Product Name	Item Code	UPC Number
Ovation FD-205WW	01031456	781462218041



UL 1573
CSA C22.2 No. 166
E113093

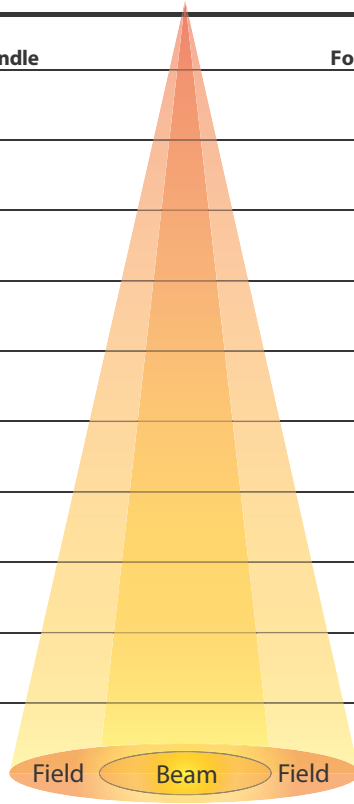


RoHS

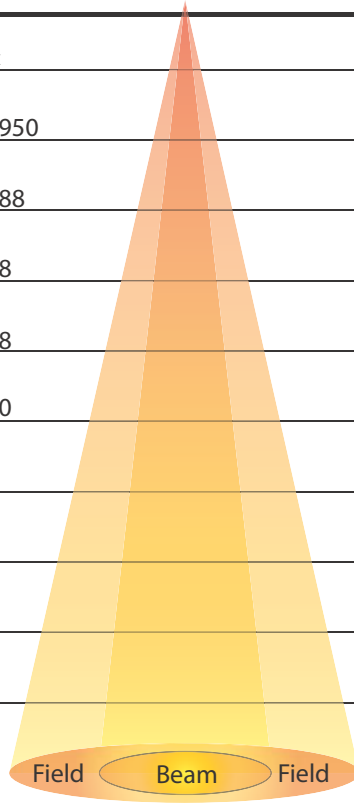


Photometrics Chart

Distance	Narrow		Zoomable Light Source		Wide	
	11° Beam Diameter	20° Field Diameter	Footcandle	Footcandle	53° Beam Diameter	72° Field Diameter
15 ft	2.89 ft	5.29 ft	631	50	14.96 ft	21.80 ft
20 ft	3.85 ft	7.05 ft	355	28	19.94 ft	29.06 ft
30 ft	5.78 ft	10.58 ft	158	13	29.91 ft	43.59 ft
40 ft	7.70 ft	14.11 ft	89	7	39.89 ft	58.12 ft
50 ft	9.63 ft	17.63 ft	57	5	49.86 ft	72.65 ft
75 ft	14.44 ft	26.45 ft	25	2	74.79 ft	108.98 ft
100 ft	19.26 ft	35.27 ft	14	1	99.72 ft	145.31 ft
125 ft	24.07 ft	44.08 ft	9	1	124.65 ft	181.64 ft
150 ft	28.89 ft	52.90 ft	6	1	149.57 ft	217.96 ft



Distance	Narrow		Zoomable Light Source		Wide	
	11° Beam Diameter	20° Field Diameter	Lux	Lux	53° Beam Diameter	72° Field Diameter
1 m	0.19 m	0.35 m	141,950	11,250	1.00 m	1.45 m
2 m	0.39 m	0.71 m	35,488	2,813	1.99 m	2.91 m
5 m	0.96 m	1.76 m	5,678	450	4.99 m	7.27 m
8 m	1.54 m	2.82 m	2,218	176	7.98 m	11.62 m
10 m	1.93 m	3.53 m	1,420	113	9.97 m	14.53 m
15 m	2.89 m	5.29 m	631	50	14.96 m	21.80 m
20 m	3.85 m	7.05 m	355	28	19.94 m	29.06 m
25 m	4.81 m	8.82 m	227	18	24.93 m	36.33 m
30 m	5.78 m	10.58 m	158	13	29.91 m	43.59 m



RETURNS

RETURNS

Send the product prepaid, in the original box, and with the original packing and accessories. Chauvet will not issue call tags.

Call Chauvet and request a Return Merchandise Authorization (RMA) number before shipping the product. Be prepared to provide the model number, serial number, and a brief description of the cause(s) for the return.

Clearly label the package with an RMA number. Chauvet will refuse any product returned without an RMA number.



Write the RMA number on a properly affixed label. DO NOT write the RMA number directly on the box.

Once you have the RMA number, provide the following information on a piece of paper and place it inside the box:

- Your name
- Your address
- Your phone number
- RMA number
- A brief description of the problem

Be sure to pack the product properly. Any shipping damage resulting from inadequate packaging will be your responsibility. FedEx packing or double-boxing are recommended.



Chauvet reserves the right to use its own discretion to repair or replace returned product(s).

CONTACT US

General Information	Technical Support
Chauvet World Headquarters	
Address: 5200 NW 108th Ave. Sunrise, FL 33351 Voice: (954) 577-4455 Fax: (954) 929-5560 Toll Free: (800) 762-1084	Voice: (844) 393-7575 Fax: (954) 756-8015 Email: chauvetcs@chauvetlighting.com Website: www.chauvetprofessional.com
Chauvet Europe Ltd	
Address: Unit 1C Brookhill Road Industrial Estate Pinxton, Nottingham, UK NG16 6NT Voice: +44 (0) 1773 511115 Fax: +44 (0) 1773 511110	Email: UKtech@chauvetlighting.eu Website: www.chauvetprofessional.eu
Chauvet Europe BVBA	
Address: Stokstraat 18 9770 Kruishoutem Belgium Voice: +32 9 388 93 97	Email: BNLtech@chauvetlighting.eu Website: www.chauvetprofessional.eu
Chauvet France	
Address: 3, Rue Ampère 91380 Chilly-Mazarin France Voice: +33 1 78 85 33 59	Email: FRtech@chauvetlighting.fr Website: www.chauvetprofessional.eu
Chauvet Germany	
Address: Bruno-Bürgel-Str. 11 28759 Bremen Germany Voice: +49 421 62 60 20	Email: DEtech@chauvetlighting.de Website: www.chauvetprofessional.eu
Chauvet Mexico	
Address: Av. de las Partidas 34 - 3B (Entrance by Calle 2) Zona Industrial Lerma Lerma, Edo. de México, CP 52000 Voice: +52 (728) 690-2010	Email: servicio@chauvet.com.mx Website: www.chauvetprofessional.mx

Visit the applicable website above to verify our contact information and instructions to request support. Outside the U.S., United Kingdom, Ireland, Mexico, France, Germany, or Benelux, contact the dealer of record.