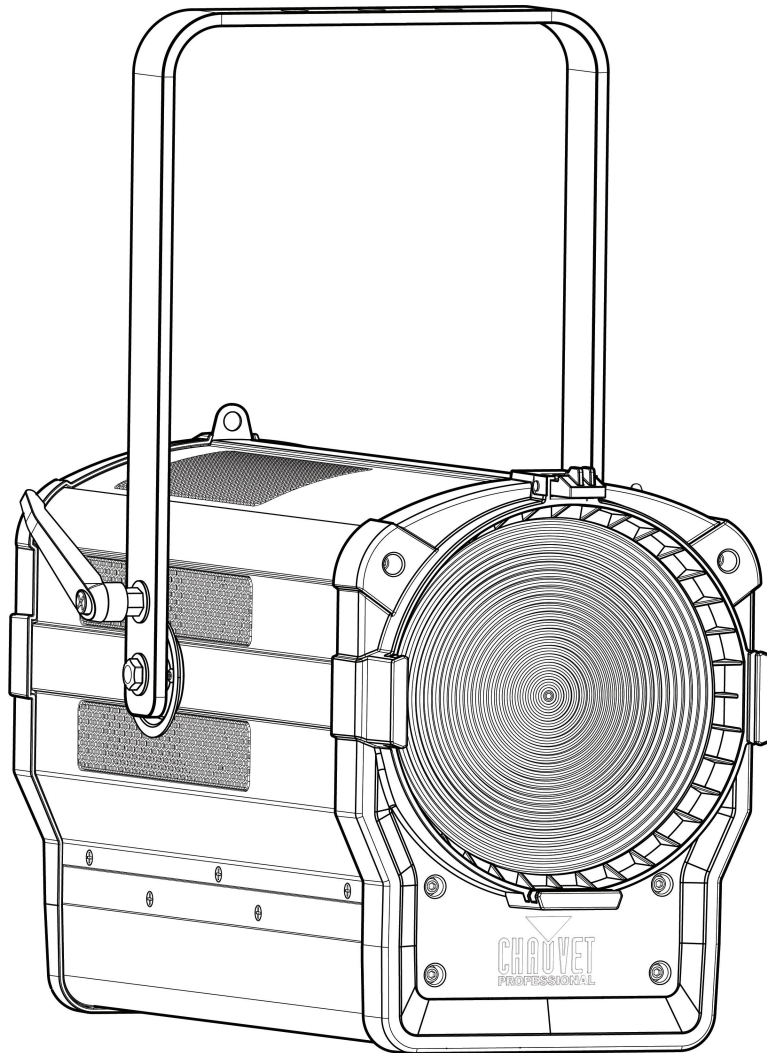


# Ovation

## F-915FC

### User Manual



  
**CHAUVET**  
PROFESSIONAL

## **Edition Notes**

The Ovation F-915FC User Manual includes a description, safety precautions, installation, programming, operation and maintenance instructions for the Ovation F-915FC as of the release date of this edition.

## **Trademarks**

CHAUVET, the Chauvet logo and Ovation F-915FC are registered trademarks or trademarks of Chauvet & Sons, LLC (d/b/a Chauvet and Chauvet Lighting) in the United States and other countries. Other company and product names and logos referred to herein may be trademarks of their respective companies.

## **Copyright Notice**

The works of authorship contained in this manual, including, but not limited to, all design, text and images are owned by Chauvet.

© Copyright 2019 Chauvet & Sons, LLC. All rights reserved.

Electronically published by Chauvet in the United States of America.

## **Manual Use**

Chauvet authorizes its customers to download and print this manual for professional information purposes only. Chauvet expressly prohibits the usage, copy, storage, distribution, modification, or printing of this manual or its content for any other purpose without written consent from Chauvet.

## **Document Printing**

For best results, print this document in color, on letter size paper (8.5 x 11 in), double-sided. If using A4 paper (210 x 297 mm), configure the printer to scale the content accordingly.

## **Intended Audience**

Any person installing, operating, and/or maintaining this product should completely read through the guide that shipped with the product, as well as this manual, before installing, operating, or maintaining this product.

## **Disclaimer**

Chauvet believes that the information contained in this manual is accurate in all respects. However, Chauvet assumes no responsibility and specifically disclaims any and all liability to any party for any loss, damage or disruption caused by any errors or omissions in this document, whether such errors or omissions result from negligence, accident or any other cause. Chauvet reserves the right to revise the content of this document without any obligation to notify any person or company of such revision, however, Chauvet has no obligation to make, and does not commit to make, any such revisions. Download the latest version from [www.chauvetprofessional.com](http://www.chauvetprofessional.com).

## **Document Revision**

This Ovation F-915FC User Manual is the 6<sup>th</sup> edition of this document. Go to [www.chauvetprofessional.com](http://www.chauvetprofessional.com) for the latest version.

TABLE OF CONTENTS

<b>1. Before You Begin</b> .....	1
What Is Included .....	1
Claims .....	1
Manual Conventions .....	1
Symbols .....	1
Safety Notes.....	2
Personal Safety.....	2
Mounting and Rigging .....	2
Power and Wiring.....	2
Operation .....	2
Expected LED Lifespan.....	2
<b>2. Introduction</b> .....	3
Description .....	3
Features.....	3
Product Overview.....	4
Product Dimensions.....	5
<b>3. Setup</b> .....	6
AC Power.....	6
AC Plug.....	6
Power Linking.....	6
DMX Linking.....	6
DMX Personalities.....	6
Remote Device Management (RDM).....	6
Master/Slave Connectivity.....	6
Mounting .....	7
Orientation.....	7
Rigging .....	7
Procedure.....	7
<b>4. Operation</b> .....	8
Control Panel Operation.....	8
Control Options .....	8
Programming.....	8
Menu Map .....	8
Configuration (DMX) .....	10
Control Personalities .....	10
Starting Address.....	11
DMX Values .....	11
17 Ch.....	11
14 Ch.....	11
13 Ch.....	12
11 Ch.....	12
7 Ch.....	13
5 Ch.....	13
3 Ch.....	13
HSV.....	13
1 Ch.....	13
Virtual Color Wheel .....	14
Configuration (Standalone) .....	15
Static Mode .....	15
Auto Programs .....	15
Zoom.....	15
Master/Slave .....	16

Dimmer Profiles.....	16
White Balance.....	16
LED Frequency.....	16
Fan Mode.....	16
Back Light.....	16
System Information.....	16
Zoom Reset.....	17
Factory Reset.....	17
<b>5. Technical Information.....</b>	<b>18</b>
Product Maintenance.....	18
<b>6. Technical Specifications.....</b>	<b>19</b>
Photometrics Charts.....	20
<b>7. Returns.....</b>	<b>21</b>
<b>8. Contact Us.....</b>	<b>22</b>



## Before You Begin

# 1. Before You Begin

## What Is Included

- Ovation F-915FC
- Neutrik® powerCON® Power Cord
- Gel Frame (7.5 in/191 mm accessories)
- Quick Reference Guide

## Claims

Carefully unpack the product immediately and check the container to make sure all the parts are in the package and are in good condition.





If the box or the contents (the product and included accessories) appear damaged from shipping, or show signs of mishandling, notify the carrier immediately, not Chauvet. Failure to report damage to the carrier immediately may invalidate your claim. In addition, keep the box and contents for inspection.

For other issues, such as missing components or parts, damage not related to shipping, or concealed damage, file a claim with Chauvet within 7 days of delivery.

## Manual Conventions

Convention	Meaning
1–512	A range of values
50/60	A set of values of which only one can be chosen
<SET>	A button on the product's control panel
Settings	A product function or a menu option

## Symbols

Symbol	Meaning
	Electrical warning. Not following these instructions may cause electrical damage to the product, accessories, or the user.
	Critical installation, configuration, or operation information. Not following these instructions may make the product not work, cause damage to the product, or cause harm to the operator.
	Important installation or configuration information. The product may not function correctly if this information is not used.
	Useful information.



Any reference to power connections in this manual assumes the use of Neutrik® powerCON® cables.



The term “DMX” used throughout this manual refers to the USITT DMX512-A digital data transmission protocol.

## Safety Notes

Read all the following safety notes before working with this product. These notes contain important information about the installation, usage, and maintenance of this product.



**This product contains no user-serviceable parts. Any reference to servicing in this User Manual will only apply to properly trained, certified technicians. Do not open the housing or attempt any repairs.**



**All applicable local codes and regulations apply to proper installation of this product.**

## Personal Safety

- Avoid direct eye exposure to the light source while the product is on.
- Always disconnect the product from the power source before cleaning or replacing the fuse.
- Always connect the product to a grounded circuit to avoid the risk of electrocution.
- Do not touch the product's housing when operating because it may be very hot.

## Mounting and Rigging

- This product is not intended for permanent installation.
- This product is for indoor use only! To prevent risk of fire or shock, do not expose this product to rain or moisture. (IP20)
- CAUTION: When transferring product from extreme temperature environments, (e.g. cold truck to warm humid ballroom) condensation may form on the internal electronics of the product. To avoid causing a failure, allow product to fully acclimate to the surrounding environment before connecting it to power.
- Mount this product in a location with adequate ventilation, at least 20 in (50 cm) from adjacent surfaces.
- Make sure there are no flammable materials close to this product while it is operating.
- When hanging this product, always secure to a fastening device using a safety cable.
- Never carry the product by the power cord.

## Power and Wiring

- Make sure the power cord is not crimped or damaged.
- Always make sure you are connecting this product to the proper voltage in accordance with the specifications in this manual or on the product's specification label.
- To eliminate unnecessary wear and improve its lifespan, during periods of non-use completely disconnect the product from power via breaker or by unplugging it.
- Never connect this product to a dimmer pack or rheostat.
- Make sure to replace the fuse with another of the same type and rating.
- Never disconnect this product by pulling or tugging on the power cable.

## Operation

- Do not operate this product if there is damage on the housing, lenses, or cables. Have the damaged parts replaced by an authorized technician at once.
- Do not cover the ventilation slots when operating to avoid internal overheating.
- The maximum ambient temperature is 113 °F (45 °C). Do not operate the product at higher temperatures.
- In the event of a serious operation problem, stop using this product immediately!



**If your Chauvet product requires service, contact Chauvet Technical Support.**

## Expected LED Lifespan

LEDs gradually decline in brightness over time, primarily because of heat. LEDs that are arranged in clusters experience higher operating temperatures than single LEDs. For this reason, operating clustered LEDs at their fullest intensity significantly reduces the LEDs' lifespan. Under normal conditions, this lifespan is 40,000 to 50,000 hours. If extending this lifespan is vital, lower the operating temperature by improving the ventilation around the product, thus reducing the ambient temperature. In addition, limiting the overall projection intensity may extend the LEDs' lifespan.

# 2. Introduction

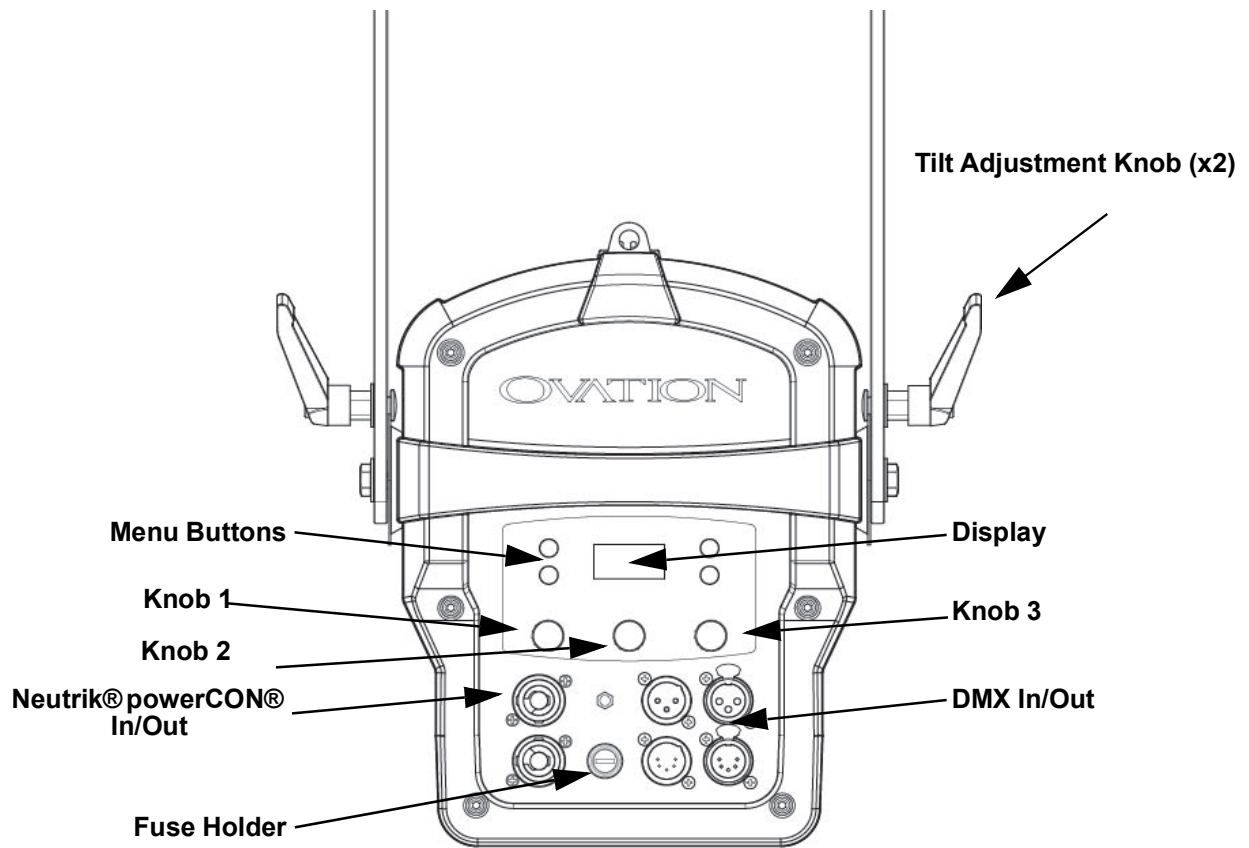
## Description

The Ovation F-915FC is a full-color Fresnel-style LED lighting fixture with 16-bit dimming resolution for smooth fades. It delivers a beautiful flat, even field of light. Its motorized zoom, with a range between 30° to 85°, is controlled either manually or via DMX. Simple and complex DMX channel profiles offer programming versatility. Virtually silent operation makes it ideal for use in any situation.

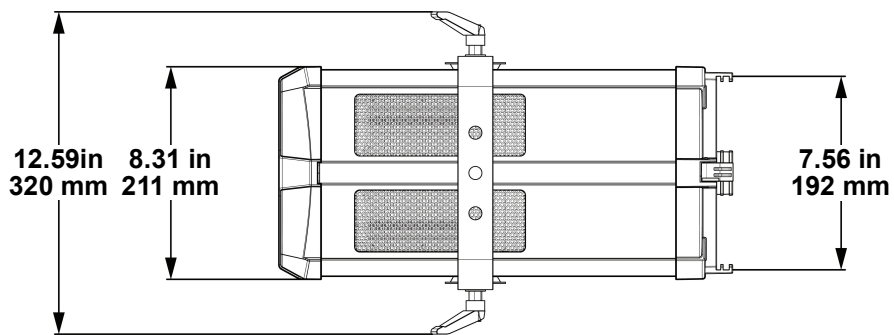
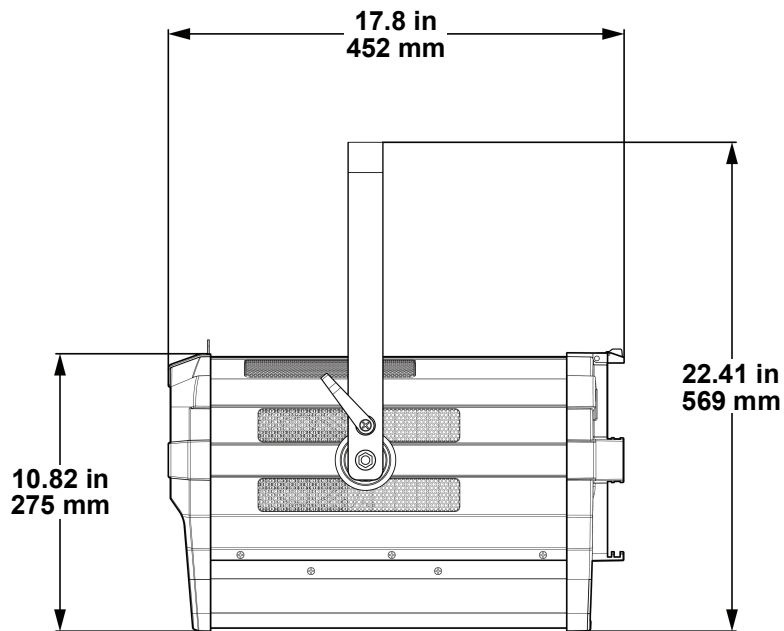
## Features

- Operating modes:
  - 1 Ch: manual color mixer, virtual color wheel, or color temperature
  - 3 Ch: Dimmer, virtual color wheel, color temperature
  - 5 Ch: RGBAL control
  - 7 Ch: Dimmer, RGBAL control, strobe
  - 11 Ch: 16-bit dimmer, RGBAL control, strobe, virtual color wheel, color temperature, zoom
  - 13 Ch: 16-bit dimmer, 16-bit RGBAL control, strobe
  - 14 Ch: Dimmer, RGBAL control, strobe, virtual color wheel, color temperature, auto programs, auto speed, dimmer speed mode, zoom, and motor reset
  - 17 Ch: 16-bit dimmer, 16-bit RGBAL control, strobe, virtual color wheel, color temperature, zoom, motor reset
  - HSV: Hue, saturation, value
- Full Color LED (RGBAL) Fresnel lighting fixture for theatre, film and production
- Smooth, motorized zoom from 30° to 85°
- Beautiful 16-bit dimming of master dimmer and individual colors
- Easy to use on board control of color, zoom and dimming
- Virtual Color wheel with color matched to popular gel colors
- Color Temperature Presets from 2800 K to 6500 K with high CRI and CQS
- RDM (Remote Device Management) for added flexibility
- Adjustable PWM (Pulse Width Modulation) to avoid flickering on camera
- Virtually silent operation for use in studio and theatre applications

Product Overview



Product Dimensions



### 3. Setup

#### AC Power

Each Ovation F-915FC has an auto-ranging power supply that works with an input voltage range of 100 to 240 VAC, 50/60 Hz. To determine the power requirements for each Ovation F-915FC, refer to the label affixed to the product. You can also refer to the Technical Specifications chart in this manual.

The listed current rating indicates the maximum current draw during normal operation. For more information, download Sizing Circuit Breakers from the Chauvet website: [www.chauvetprofessional.com](http://www.chauvetprofessional.com).



- **Always connect the product to a protected circuit (circuit breaker or fuse). Make sure the product has an appropriate electrical ground to avoid the risk of electrocution or fire.**
- **To eliminate unnecessary wear and improve its lifespan, during periods of non-use completely disconnect the product from power via breaker or by unplugging it.**



**Never connect the product to a rheostat (variable resistor) or dimmer circuit, even if the rheostat or dimmer channel serves only as a 0 to 100% switch.**

#### AC Plug

The Ovation F-915FC comes with a power input cord terminated with a Neutrik® powerCON® connector on one end and an Edison plug on the other end (U.S. market). If the power input cord that came with your product has no plug, or if you need to change the plug, use the table below to wire the new plug.

Connection	Wire (U.S.)	Wire (Europe)	Screw Color
AC Live	Black	Brown	Yellow or Brass
AC Neutral	White	Blue	Silver
AC Ground	Green/Yellow	Green/Yellow	Green

#### Power Linking

The product supports power linking. You can power link up to 6 products at 120 V; up to 10 at 208 V; or up to 12 at 230 V.

This product comes with a power input cord. Power linking cables are available from Chauvet for purchase.

#### DMX Linking

You can link the Ovation F-915FC to a DMX controller using a 3- or 5-pin DMX connection. If using other DMX-compatible products with this product, you can control each individually with a single DMX controller.

#### DMX Personalities

The Ovation F-915FC uses a 3- or 5-pin DMX data connection for the **1 Ch, 3 Ch, 5 Ch, 7 Ch, 11 Ch, 13 Ch, 14 Ch, 17 Ch**, and **HSV** DMX personalities.

- Refer to the [Introduction](#) chapter for a brief description of each DMX personality.
- Refer to the [Operation](#) chapter to learn how to configure the Ovation F-915FC to work in these personalities.
- The [DMX Values](#) section provides detailed information regarding the control personalities.



**If you are not familiar with or need more information about DMX standards, Master/Slave connectivity, or the DMX cables needed to link this product to a DMX controller, download the DMX Primer from the Chauvet website: [www.chauvetprofessional.com](http://www.chauvetprofessional.com).**

#### Remote Device Management (RDM)

Remote Device Management, or RDM, is a standard for allowing DMX-enabled devices to communicate bi-directionally along existing DMX cabling. Check the DMX controller's User Manual or with the manufacturer as not all DMX controllers have this capability. The Ovation F-915FC supports RDM protocol that allows feedback to make changes to menu map options.

#### Master/Slave Connectivity

The Master/Slave mode allows an Ovation F-915FC (the master) to control one or more Ovation F-915FC products (the slaves) without a DMX controller. One Ovation F-915FC becomes the master when running an auto program, or by being in Static mode.

You must configure each slave's control panel to operate in Slave mode. During Master/Slave operation, the slaves will operate in unison with the master.



**DO NOT connect a DMX controller to products operating in Master/Slave mode. The DMX controller signals may interfere with the signals from the master.**



- The [Operation](#) section of this manual provides detailed instructions on how to configure the master and slaves.
- **If you are not familiar with or need more information about DMX standards, or the DMX cables needed to link this product to a DMX controller, download the DMX Primer from the Chauvet website: [www.chauvetprofessional.com](http://www.chauvetprofessional.com).**

## Setup

### Mounting

Before mounting the product, read and follow the safety recommendations indicated in the Safety Notes. For our CHAUVET Professional line of mounting clamps, go to <http://trusst.com/products/>.

### Orientation

Always mount this product in a safe position, making sure there is adequate room for ventilation, configuration, and maintenance.

### Rigging

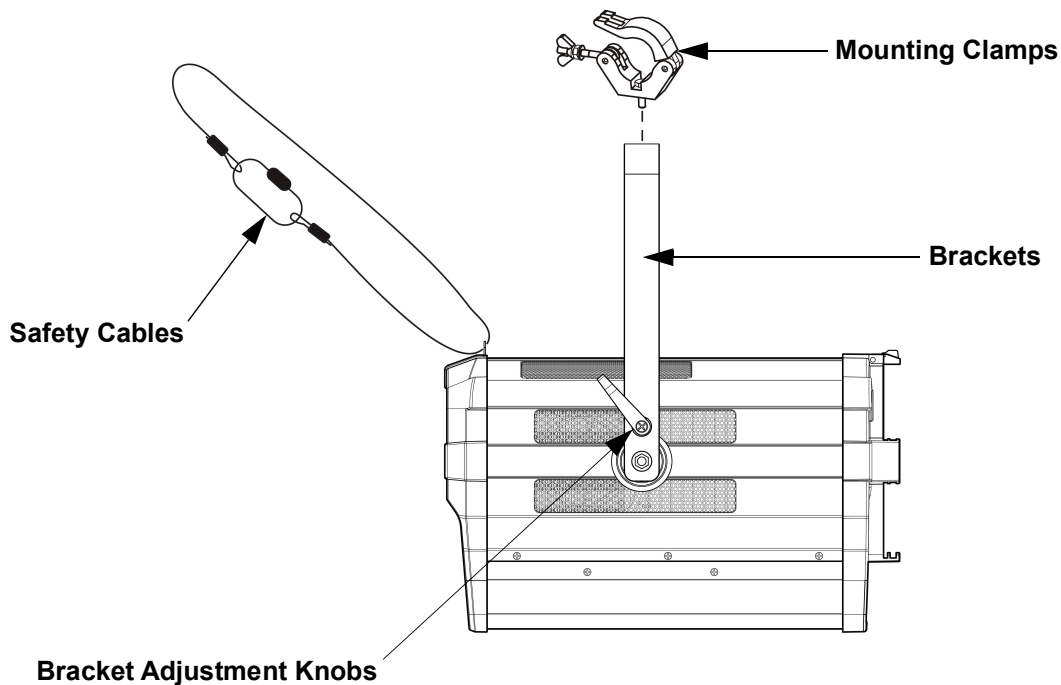
Chauvet recommends using the following general guidelines when mounting this product.

- Before deciding on a location for the product, make sure there is easy access to the product for maintenance and programming purposes.
- Make sure that the structure onto which you are mounting the product can support the product's weight. See the [Technical Specifications](#) for weight information.
- When mounting the product overhead, always use a safety cable. Mount the product securely to a rigging point, whether an elevated platform or a truss.
- When rigging the product onto a truss, use a mounting clamp of appropriate weight capacity.
- When power linking multiple products, mount the products close enough for power linking cables to reach.
- The bracket adjustment knobs allow for directional adjustment when aiming the product to the desired angle. Only loosen or tighten the bracket knobs manually. Using tools could damage the knobs.

### Procedure

The Ovation F-915FC comes with a bracket to which you can attach a mounting clamp directly. You must supply the mounting clamps. Make sure the clamps are capable of supporting the weight of this product. Use at least one mounting point per product. For the CHAUVET Professional line of mounting clamps, go to <http://www.trusst.com/products>.

### Mounting Diagram



## 4. Operation

### Control Panel Operation

Button	Function
<MENU>	Exits from the current menu or function
<ENTER>	Enables the currently displayed menu or sets the currently selected value in to the current function
<UP>	Navigates upward through the menu list or increases the numeric value when in a function
<DOWN>	Navigates downward through the menu list or decreases the numeric value when in a function
Knob 1	Push twice, then turn to select the color temperature.
Knob 2	Push twice, then turn to increase or decrease the dimmer
Knob 3	Push twice, then turn to increase or decrease the zoom

### Control Options

Set the Ovation F-915FC starting address in the 001–512 DMX range. This enables control of up to 30 products in the 17-channel **17 Ch** personality.

### Programming

Refer to the Menu Map to understand the menu options. The menu map shows the main level and a variable number of programming levels for each option.

- To go to the desired main level, press <MENU> repeatedly until the option shows on the display. Press <ENTER> to select. This will take you to the first programming level for that option.
- To select an option or value within the current programming level, press <UP> or <DOWN> until the option shows on the display. Press <ENTER> to select. In this case, if there is another programming level, you will see that first option, or you will see the selected value.
- Press <MENU> repeatedly to exit to the previous main level.

### Menu Map

Main Level	Programming Levels		Description
DMX Address	001–510*		Selects DMX address (highest channel restricted to personality chosen)
DMX Channel	1 Ch	Virtual Color Wheel	1-channel: RGBAL,VCW, color temperature
		Color Temperature	
		Manual Color Mixer	
		3 Ch	3-channel: dimmer, VCW, color temperature
		5 Ch	5-channel: RGBAL
		7 Ch	7-channel: dimmer, RGBAL, strobe
		11 Ch	11-channel: 16-bit dimmer, RGBAL, strobe, VCW, color temperature, zoom
		13 Ch	13-channel: 16-bit dimmer, 16-bit RGBAL, strobe
		14 Ch	14-channel: dimmer, RGBAL, strobe, VCW, color temperature, auto show, auto speed, dimmer speed mode, zoom, motor reset
	17 Ch	17-channel: 16-bit dimmer, 16-bit RGBAL, strobe, VCW, color temperature, zoom, motor reset	
	HSV		3-channel: hue, saturation, value
Virtual Color Wheel	Virtual Color Wheel	C3050-Md Yellow	Dimmer <000–255> Virtual color wheel simulates the output of each gel color. Refer to the <a href="#">Virtual Color Wheel Chart</a> section for specific values.
		C3040-Lt Yellow	
		C3240-Amb Yellow	
		C2340-VLt Amber	
		C2040-Lt Amber	
		C2050-Md Amber	
		C2060-Dk Amber	
		C1050-Lt Red	



Main Level	Programming Levels		Description
Virtual Color Wheel	Virtual Color Wheel	C1080-Md Red	Dimmer <000–255>
		C1020-NC Pink	
		C1030-Md Pink	
		C1630-Dk Pink	
		C1250-Md Red Amber	
		C1060-Dk Red Amber	
		C1650-Magenta	
		C6170-Dk Magenta	
		C6020-Lt Lavender	
		C5030-Lt Blue	
		C5020-VLt Blue	
		C5430-Lt Blue2	
		C5070-Blue	
		C5050-Md Blue	
		C5060-Dk Blue	
		C5690- Indigo	
		C5080-VDk Blue	
		C5081-VDk Blue2	
	C4370-Yel Green		
	C4070-Green		
	C4550-Turquoise		
	C4560-Aqua		
	C4570-Blue Green		
	Color Temperature	2800K	Preset white color temperatures. Emulates a tungsten lamp at the specified color temperature. Refer to the <a href="#">Preset Color Temperature Chart</a> section for specific values.
		3000K	
		3200K	
		3500K	
4000K			
4500K			
5000K			
5600K			
6000K			
6500K			
Manual Color Mixer	Red	<000–255>	
	Green		
	Blue		
	Amber		
	Lime		
Auto Show	Auto 1–5	<001–100>	Selects automatic programs and program speed
Zoom		0–255	Controls zoom
Master/Slave		Master	DMX mode (Master)
		Slave	Slave mode
Dimmer Mode		Off	Linear dimmer
		Dimmer 1–3	Dimming curves <b>Dimmer 1</b> (fast) to <b>Dimmer 3</b> (slow)
White Balance	Manual	Off	Uses factory default white setting
		Red	Sets red LED maximum value
		Green	Sets green LED maximum value
		Blue	Sets blue LED maximum value
		Amber	Sets amber LED maximum value
Lime	Sets lime LED maximum value		

Main Level	Programming Levels		Description
LED Frequency	600Hz		Sets the PWM frequency
	1200Hz		
	2000Hz		
	4000Hz		
	6000Hz		
	25KHz		
Fan Mode	Auto		Sets the fan to auto mode
	On		Sets the fan to always on
	Off		Sets the fan to always off
	Silent		Sets the fan to silent
Back Light	10S		Turns off display backlight after 10 seconds of inactivity
	30S		Turns off display backlight after 30 seconds of inactivity
	2Min		Turns off display backlight after 120 seconds of inactivity
	On		Display backlight always on
Information	Fixture Hours	<_ _ _ _H>	Shows total hours the product has been powered on
	Version	<V_._>	Shows current firmware version
	UID	<_ _ _ _ _ _ _ _>	Shows product UID
Reset Zoom w/ Power	No		Keeps zoom in last position when powered on
	Yes		Resets the zoom to home position when powered on
Reset Factory	No		Resets the product to factory default settings
	Yes		

### Configuration (DMX)

Use control configurations to operate the product with a DMX controller.

#### Control Personalities

This setting allows you to choose a particular control personality.

1. Go to the DMX **Personality** main level.
2. Select the desired personality (see table below).

Personality	Channels	Personality	Channels
17 Ch	17	7 Ch	7
14 Ch	14	5 Ch	5
13 Ch	13	3 Ch	3
11 Ch	11	HSV	3
		1 Ch	1



- See the [Starting Address](#) section for the highest starting address you can select for each personality.
- Make sure that the starting addresses on the various products do not overlap due to the new personality setting.

## Operation

### Starting Address

Each product will respond to a unique starting address from the DMX controller. All products with the same starting address will respond in unison.

1. Go to the **DMX Address** main level.
2. Select the starting address (**001–512**).

The highest recommended starting address for each DMX mode is as follows:

Personality	Address	Personality	Address
17 Ch	496	7 Ch	506
14 Ch	499	5 Ch	508
13 Ch	500	3 Ch	510
11 Ch	502	1Ch	512
		HSV	510

### DMX Values

#### 17 Ch

Channel	Function	Value	Percent/Setting
1	Dimmer	000 ⇄ 255	0–100%
2	Dimmer Fine	000 ⇄ 255	0–100%
3	Red	000 ⇄ 255	0–100%
4	Red Fine	000 ⇄ 255	0–100%
5	Green	000 ⇄ 255	0–100%
6	Green Fine	000 ⇄ 255	0–100%
7	Blue	000 ⇄ 255	0–100%
8	Blue Fine	000 ⇄ 255	0–100%
9	Amber	000 ⇄ 255	0–100%
10	Amber Fine	000 ⇄ 255	0–100%
11	Lime	000 ⇄ 255	0–100%
12	Lime Fine	000 ⇄ 255	0–100%
13	Strobe	000 ⇄ 010	No function
		011 ⇄ 255	Strobe, slow to fast
14	Virtual Color Wheel	000 ⇄ 255	See <a href="#">Virtual Color Wheel Chart</a>
15	Color Temperature	000 ⇄ 255	See <a href="#">Preset Color Temperature Chart</a>
16	Zoom	000 ⇄ 255	Narrow to wide
17	Motor Reset	000 ⇄ 200	No function
		201 ⇄ 220	Motor reset
		221 ⇄ 255	No function

#### 14 Ch

Channel	Function	Value	Percent/Setting
1	Dimmer	000 ⇄ 255	0–100%
2	Red	000 ⇄ 255	0–100%
3	Green	000 ⇄ 255	0–100%
4	Blue	000 ⇄ 255	0–100%
5	Amber	000 ⇄ 255	0–100%
6	Lime	000 ⇄ 255	0–100%
7	Strobe	000 ⇄ 010	No function
		011 ⇄ 255	Strobe, slow to fast
8	Virtual Color Wheel	000 ⇄ 255	See <a href="#">Virtual Color Wheel Chart</a>

Channel	Function	Value	Percent/Setting
9	Color Temperature	000 ⇄ 255	See <a href="#">Preset Color Temperature Chart</a>
10	Auto Programs	000 ⇄ 010	No function
		011 ⇄ 060	Auto program 1
		061 ⇄ 110	Auto program 2
		111 ⇄ 160	Auto program 3
		161 ⇄ 210	Auto program 4
		211 ⇄ 255	Auto program 5
11	Auto Speed	000 ⇄ 255	Auto speed, slow to fast
12	Dimmer Speed Mode	000 ⇄ 051	No function
		052 ⇄ 101	Dimmer speed mode off
		102 ⇄ 152	Dimmer speed mode 1
		153 ⇄ 203	Dimmer speed mode 2
		204 ⇄ 255	Dimmer speed mode 3
13	Zoom	000 ⇄ 255	Narrow to wide
14	Motor Reset	000 ⇄ 200	No function
		201 ⇄ 220	Motor reset
		221 ⇄ 255	No function

Hold for 3 seconds:  
Overrides and  
changes menu  
selection

### 13 Ch

Channel	Function	Value	Percent/Setting
1	Dimmer	000 ⇄ 255	0–100%
2	Dimmer Fine	000 ⇄ 255	0–100%
3	Red	000 ⇄ 255	0–100%
4	Red Fine	000 ⇄ 255	0–100%
5	Green	000 ⇄ 255	0–100%
6	Green Fine	000 ⇄ 255	0–100%
7	Blue	000 ⇄ 255	0–100%
8	Blue Fine	000 ⇄ 255	0–100%
9	Amber	000 ⇄ 255	0–100%
10	Amber Fine	000 ⇄ 255	0–100%
11	Lime	000 ⇄ 255	0–100%
12	Lime Fine	000 ⇄ 255	0–100%
13	Strobe	000 ⇄ 010	No function
		011 ⇄ 255	Strobe, slow to fast

### 11 Ch

Channel	Function	Value	Percent/Setting
1	Dimmer	000 ⇄ 255	0–100%
2	Dimmer Fine	000 ⇄ 255	0–100%
3	Red	000 ⇄ 255	0–100%
4	Green	000 ⇄ 255	0–100%
5	Blue	000 ⇄ 255	0–100%
6	Amber	000 ⇄ 255	0–100%
7	Lime	000 ⇄ 255	0–100%
8	Strobe	000 ⇄ 010	No function
		011 ⇄ 255	Strobe, slow to fast

## Operation

Channel	Function	Value	Percent/Setting
9	Virtual Color Wheel	000 ⇔ 255	See <a href="#">Virtual Color Wheel Chart</a>
10	Color Temperature	000 ⇔ 255	See <a href="#">Preset Color Temperature Chart</a>
11	Zoom	000 ⇔ 255	Narrow to wide

### 7 Ch

Channel	Function	Value	Percent/Setting
1	Dimmer	000 ⇔ 255	0–100%
2	Red	000 ⇔ 255	0–100%
3	Green	000 ⇔ 255	0–100%
4	Blue	000 ⇔ 255	0–100%
5	Amber	000 ⇔ 255	0–100%
6	Lime	000 ⇔ 255	0–100%
7	Strobe	000 ⇔ 010 011 ⇔ 255	No function Strobe, slow to fast

### 5 Ch

Channel	Function	Value	Percent/Setting
1	Red	000 ⇔ 255	0–100%
2	Green	000 ⇔ 255	0–100%
3	Blue	000 ⇔ 255	0–100%
4	Amber	000 ⇔ 255	0–100%
5	Lime	000 ⇔ 255	0–100%

### 3 Ch

Channel	Function	Value	Percent/Setting
1	Dimmer	000 ⇔ 255	0–100%
2	Virtual Color Wheel	000 ⇔ 255	See <a href="#">Virtual Color Wheel Chart</a>
3	Color Temperature	000 ⇔ 255	See <a href="#">Preset Color Temperature Chart</a>

### HSV

Channel	Function	Value	Percent/Setting
1	Hue	000 ⇔ 255	0–100%
2	Saturation	000 ⇔ 255	0–100%
3	Value	000 ⇔ 255	0–100%

### 1 Ch

Channel	Function	Value	Percent/Setting
1	Set in Menu Map	000 ⇔ 255	0–100%

### Virtual Color Wheel

The Ovation F-915FC includes a feature called the Virtual Color Wheel (VCW). This feature is available as a stand-alone control mode for manual use and also as a control channel in select DMX personalities. Over 30 pre-mixed colors, custom blended by our engineers, are available to call up for easier programming.

The DMX values used to mix these colors are provided below. You may adjust the overall intensity of the Ovation fixture in order to more closely replicate colors you are familiar with. A chart is available on our website [www.chauvetprofessional.com](http://www.chauvetprofessional.com) to compare our pre-mixed colors with popular gel colors. This chart is for comparison purposes only and is not a representation that our pre-mixed colors match any of the gel colors listed.

### Virtual Color Wheel Chart

DMX Channel Value	Display Readout	Red Value	Green Value	Blue Value	Amber Value	Lime Value
000 ⇔ 005	--	000	000	000	000	000
006 ⇔ 013	<b>C3050 - Md Yellow</b>	233	163	020	123	255
014 ⇔ 021	<b>C3040 - Lt Yellow</b>	224	158	047	255	231
022 ⇔ 028	<b>C3240 - Amb Yellow</b>	180	060	000	245	255
029 ⇔ 035	<b>C2340 - VLt Amber</b>	245	107	081	255	213
036 ⇔ 043	<b>C2040 - Lt Amber</b>	230	130	062	255	155
044 ⇔ 051	<b>C2050 - Md Amber</b>	255	000	025	255	194
052 ⇔ 059	<b>C2060 - Dk Amber</b>	255	000	024	255	150
060 ⇔ 067	<b>C1050 - Lt Red</b>	255	037	027	030	038
068 ⇔ 075	<b>C1080 - Md Red</b>	255	004	017	000	000
076 ⇔ 083	<b>C1020 - NC Pink</b>	238	135	129	255	255
084 ⇔ 091	<b>C1030 - Md Pink</b>	255	131	120	255	195
092 ⇔ 099	<b>C1630 - Dk Pink</b>	255	165	123	255	210
100 ⇔ 107	<b>C1250 - Md Red Amber</b>	255	000	041	195	055
108 ⇔ 115	<b>C1060 - Dk Red Amber</b>	255	000	045	120	030
116 ⇔ 121	<b>C1650 - Magenta</b>	255	050	115	255	115
122 ⇔ 130	<b>C6170 - Dk Magenta</b>	255	035	117	000	000
131 ⇔ 138	<b>C6020 - Lt Lavender</b>	127	122	142	251	255
139 ⇔ 146	<b>C5030 - Lt Blue</b>	000	255	197	100	255
147 ⇔ 154	<b>C5020 - VLt Blue</b>	158	255	189	000	255
155 ⇔ 162	<b>C5430 - Lt Blue 2</b>	000	255	180	000	243
163 ⇔ 170	<b>C5070 - Blue</b>	043	255	210	043	036
171 ⇔ 178	<b>C5050 - Md Blue</b>	000	255	218	000	181
179 ⇔ 186	<b>C5060 - Dk Blue</b>	000	210	206	000	118
187 ⇔ 194	<b>C5690 - Indigo</b>	065	000	210	040	055
195 ⇔ 202	<b>C5080 - VDk Blue</b>	000	203	230	000	040
203 ⇔ 210	<b>C5081 - VDk Blue2</b>	040	199	240	000	045
211 ⇔ 218	<b>C4370 - Yel Green</b>	027	255	028	016	104
219 ⇔ 226	<b>C4070 - Green</b>	049	255	055	120	090
227 ⇔ 234	<b>C4550 - Turquoise</b>	060	230	109	000	245
235 ⇔ 242	<b>C4560 - Aqua</b>	020	240	126	036	255
243 ⇔ 250	<b>C4570 - Blue Green</b>	000	255	079	030	053
251 ⇔ 255	--	000	000	000	000	000



**Note:** The colors above are simulated renditions of the color output produced as compared to other similar incandescent products. Chauvet makes no guarantee of the color output accuracy.

## Operation

### Preset Color Temperature Chart

DMX Channel Value	Display Readout	Red Value	Green Value	Blue Value	Amber Value	Lime Value
000 ⇄ 005	--	000	000	000	000	000
006 ⇄ 025	<b>2800K</b>	237	120	036	255	255
026 ⇄ 050	<b>3000K</b>	220	128	050	255	255
051 ⇄ 075	<b>3200K</b>	176	128	057	255	255
076 ⇄ 100	<b>3500K</b>	154	128	080	255	255
101 ⇄ 125	<b>4000K</b>	128	128	112	255	255
126 ⇄ 150	<b>4500K</b>	108	128	133	255	255
151 ⇄ 175	<b>5000K</b>	097	128	152	255	255
176 ⇄ 200	<b>5600K</b>	087	128	170	255	255
201 ⇄ 225	<b>6000K</b>	075	128	177	255	255
226 ⇄ 250	<b>6500K</b>	066	128	187	255	255
251 ⇄ 255	--	000	000	000	000	000



Note: The color temperatures above are simulated renditions of the color output produced as compared to a tungsten lamp at the specified color temperature. Chauvet makes no guarantee of the color output accuracy.

### Configuration (Standalone)

Use standalone configuration to operate the product without a DMX controller.

#### Static Mode

The Static mode allows for an unchanging color without a DMX controller.

#### Virtual Color Wheel

1. Go to the **Virtual Color Wheel** main level.
2. Select **Virtual Color Wheel**.
3. Select the desired gel color (see [Virtual Color Wheel Chart](#)).
4. Select the desired output level (<000–255>).

#### Color Temperature

1. Go to the **Virtual Color Wheel** main level.
2. Select **Color Temperature**.
3. Select the desired color temperature (see [Preset Color Temperature Chart](#)).
4. Select the desired output level (<000–255>).

#### Manual Color Mixer

1. Go to the **Virtual Color Wheel** main level.
2. Select **Manual Color Mixer**.
3. Select the color to edit (**Red, Green, Blue, Amber, or Lime**).
4. Select the desired output level for that color (<000–255>).
5. Repeat steps 3 and 4 until product outputs as desired.

#### Auto Programs

Auto programs allow for dynamic blinder effects without a DMX controller.

1. Go to the **Auto Show** main level
2. Select the desired auto program (**Auto 1–5**).
3. Select the desired speed (**1–100**).



The auto programs cannot be edited.

#### Zoom

The zoom setting allows standalone control of the motorized zoom.

1. Go to the **Zoom** main level
2. Select the desired zoom level (**0–255**).

## Master/Slave

The Master/Slave mode allows a group of Ovation F-915FC products (the slaves) to simultaneously duplicate the output of another Ovation F-915FC (the master) without a DMX controller.

To set each of the slaves:

1. Go to the **Master/Slave** main level
2. Select **Slave**.

To set the master:

1. Go to the **Master/Slave** main level
2. Select **Master**.
3. Select a static setting.



- The master is the one that runs a program whether in Auto or Static mode.
- Do not connect a DMX controller to the products configured for Master/Slave operation. The DMX controller may interfere with signals from the master.
- The master should be the first product in the daisy chain.

## Dimmer Profiles

This setting determines how fast the output of the Ovation F-915FC changes when you modify the output value. This setting provides four different options to simulate the dimming curve of an incandescent lighting product.

1. Go to the **Dimmer Mode** main level.
2. Select a dimmer curve (**Off**, **Dimmer 1**, **Dimmer 2**, or **Dimmer 3**).



**Off:** The output is proportional (linear) to the dimmer channel value.

**Dimmer 1-3:** The output follows the dimmer value based on the corresponding dimmer curve, **Dimmer 1** being the fastest.

## White Balance

This setting determines the maximum output values for each color, which affects the appearance of a full output white.

1. Go to the White Balance main level.
2. Select **Off** (the product will use a default setting) or **Manual**.
3. For **Manual** mode, select the color value to edit (**Red**, **Green**, **Blue**, **Amber**, or **Lime**).
4. Set the maximum value for the selected color (**125–255**).
5. Repeat steps 3 and 4 until the product outputs as desired.

## LED Frequency

This option changes the Pulse Width Modulation (PWM) frequency of the LEDs on the Ovation F-915FC.

1. Go to the **LED Frequency** main level.
2. Select PWM Frequency (**600Hz**, **1200Hz**, **2000Hz**, **4000Hz**, **6000Hz**, or **25Khz**).

## Fan Mode

This setting determines how the fan speed on the Ovation F-915FC is set.

1. Go to the **Fan Mode** main level
2. Select **Auto** (fan speed will increase or decrease based on product temperature), **Off** (fan will stay off. Product output will decrease based on product temperature), **Silent** (fan will maintain a constant silent speed), or **On** (fan speed will always be at maximum).

## Back Light

This setting allows for selection of the amount of time the backlight on the Ovation F-915FC's display stays on after the last button is pressed on the control panel.

1. Go to the **Back Light** main level.
2. Select **On** (remains on), **10S** (10 seconds), **2Min** (120 seconds), or **30S** (seconds).

## System Information

This option displays the total number of hours the product has run, the installed software version, and the product's UID.

1. Go to the **Information** main level.
2. Select **Fixture Hours**, **Version**, or **UID**.



## Operation

---

### Zoom Reset

This setting determines whether the zoom resets when power is applied to the Ovation F-915FC.

1. Go to the **Reset Zoom w/ Power** main level.
2. Select **No** (zoom stays in last command position when power was removed) or **Yes** (zoom resets when power is applied to the product).

### Factory Reset

This option restores the Ovation F-915FC to factory default settings.

1. Go to the **Reset Factory** main level.
2. Select **No** or **Yes**.

## 5. Technical Information

### Product Maintenance

To maintain optimum performance and minimize wear, clean this product frequently. Usage and environment are contributing factors in determining the cleaning frequency.

Clean this product at least twice a month. Dust build-up reduces light output performance and can cause overheating. This can lead to reduced light source life and increased mechanical wear.

To clean the product:

1. Unplug the product from power.
2. Wait until the product is at room temperature.
3. Use a vacuum (or dry compressed air) and a soft brush to remove dust collected on the external vents.
4. Clean all transparent surfaces with a mild soap solution, ammonia-free glass cleaner, or isopropyl alcohol.
5. Apply the solution directly to a soft, lint free cotton cloth or a lens cleaning tissue.
6. Softly drag any dirt or grime to the outside of the transparent surface.
7. Gently polish the transparent surfaces until they are free of haze and lint.



**Always dry the transparent surfaces carefully after cleaning them.**



**Do not spin the cooling fan using compressed air because you could damage it.**

## Technical Specifications

### 6. Technical Specifications

#### Dimensions and Weight

Length	Width	Height	Weight
22.41 in (569.44 mm)	12.59 in (320 mm)	10.82 in (275 mm)	19 lb (8.6 kg)

**Note:** Dimensions in inches rounded to the nearest decimal digit.

#### Power

Power Supply Type	Range	Voltage Selection
Switching (internal)	100 to 240 VAC, 50/60 Hz	Auto-ranging

Parameter	120 V, 60 Hz	208 V, 60 Hz	230 V, 50 Hz
Consumption	260 W	260 W	260 W
Operating Current	2.15 A	1.25 A	1.12 A
Power linking current (products)	13.6 A (6 products)	13.6 A (10 products)	13.6 A (12 products)

Power I/O	U.S./Worldwide	UK/Europe
Power input connector	Neutrik® powerCON® A	Neutrik® powerCON® A
Power output connector	Neutrik® powerCON® B	Neutrik® powerCON® B
Power Cord plug	Edison (U.S.)	Local Plug

#### Light Source

Type	Color	Quantity	Power	Current	Lifespan
LED	Red	18	3 W	1.13 A	50,000 hours
LED	Green	18	3 W	1.13 A	50,000 hours
LED	Blue	16	3 W	1.13 A	50,000 hours
LED	Amber	16	3 W	1.13 A	50,000 hours
LED	Lime	21	3 W	1.13 A	50,000 hours

#### Photometrics

Color Temperature (range)	Beam Angle	Field Angle	Zoom Angle	Illuminance @ 5 m (30°)	Illuminance @ 5 m (73°)
2800 to 6500 K	17° to 54°	30° to 73°	30° to 73°	1,980 lux	433 lux

#### Thermal

Maximum External Temperature	Cooling System
113 °F (45 °C)	Fan-assisted convection

#### DMX

I/O Connector	Channel Range
3- and 5-pin XLR	1, 3, 5, 7, 11, 13, 14 or 17

#### Ordering

Product Name	Item Name	Item Code	UPC Number
Ovation F-915FC	OVATIONF915FC	03031389	781462217372



UL 1573  
CSA C22.2 No. 166  
E113093

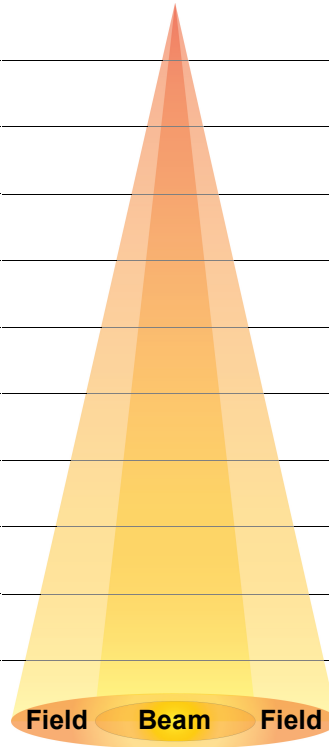


RoHS

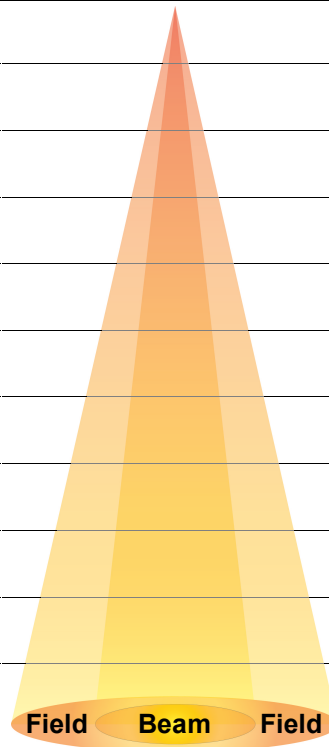


## Photometrics Charts

Distance	Narrow (30°)		Ovation F-915FC (Imperial)		Wide (73°)	
	Beam Diameter	Field Diameter	Footcandle	Footcandle	Beam Diameter	Field Diameter
15 ft	4.48 ft	8.04 ft	220	48	15.29 ft	22.20 ft
20 ft	5.98 ft	10.72 ft	124	27	20.38 ft	29.60 ft
30 ft	8.97 ft	16.08 ft	55	12	30.57 ft	44.40 ft
40 ft	11.96 ft	21.44 ft	31	7	40.76 ft	59.20 ft
50 ft	14.95 ft	26.79 ft	20	4	50.95 ft	74.00 ft
75 ft	22.42 ft	40.19 ft	9	2	76.43 ft	110.99 ft
100 ft	29.89 ft	53.59 ft	5	1	101.91 ft	147.99 ft
125 ft	37.36 ft	66.99 ft	3	1	127.38 ft	184.99 ft
150 ft	44.84 ft	80.38 ft	2	0	152.86 ft	221.99 ft



Distance	Narrow (30°)		Ovation F-915FC (Metric)		Wide (73°)	
	Beam Diameter	Field Diameter	Lux	Lux	Beam Diameter	Field Diameter
1 m	0.30	0.54	49,500	10,825	1.02 m	1.48 m
2 m	0.60	1.07	12,375	2,706	2.04 m	2.96 m
5 m	1.49	2.68	1,980	433	5.10 m	7.40 m
8 m	2.39	4.29	773	169	8.15 m	11.84 m
10 m	2.99	5.36	495	108	10.19 m	14.80 m
15 m	4.48	8.04	220	48	15.29 m	22.20 m
20 m	5.98	10.72	124	27	20.38m	29.60 m
25 m	7.47	13.40	79	17	25.48 m	37.00 m
30 m	8.97	16.08	55	12	30.57 m	44.40 m



## Returns

Send the product prepaid, in the original box, and with the original packing and accessories. Chauvet will not issue call tags.

Call Chauvet and request a Return Merchandise Authorization (RMA) number before shipping the product. Be prepared to provide the model number, serial number, and a brief description of the cause(s) for the return.

To submit a service request online, go to [www.chauvetprofessional.com/service-request](http://www.chauvetprofessional.com/service-request).

Clearly label the package with an RMA number. Chauvet will refuse any product returned without an RMA number.



**Write the RMA number on a properly affixed label. DO NOT write the RMA number directly on the box.**

Once you have the RMA number, provide the following information on a piece of paper and place it inside the box:

- Your name
- Your address
- Your phone number
- RMA number
- A brief description of the problem

Be sure to pack the product properly. Any shipping damage resulting from inadequate packaging will be your responsibility. FedEx packing or double-boxing are recommended.



**Chauvet reserves the right to use its own discretion to repair or replace returned product(s).**

## CONTACT US

General Information	Technical Support
<b>Chauvet World Headquarters</b>	
Address: 5200 NW 108th Ave. Sunrise, FL 33351 Voice: (954) 577-4455 Fax: (954) 929-5560 Toll Free: (800) 762-1084	Voice: (844) 393-7575 Fax: (954) 756-8015 Email: <a href="mailto:chauvetcs@chauvetlighting.com">chauvetcs@chauvetlighting.com</a> Website: <a href="http://www.chauvetprofessional.com">www.chauvetprofessional.com</a>
<b>Chauvet Europe Ltd</b>	
Address: Unit 1C Brookhill Road Industrial Estate Pinxton, Nottingham, UK NG16 6NT Voice: +44 (0) 1773 511115 Fax: +44 (0) 1773 511110	Email: <a href="mailto:UKtech@chauvetlighting.eu">UKtech@chauvetlighting.eu</a> Website: <a href="http://www.chauvetprofessional.eu">www.chauvetprofessional.eu</a>
<b>Chauvet Europe BVBA</b>	
Address: Stokstraat 18 9770 Kruishoutem Belgium Voice: +32 9 388 93 97	Email: <a href="mailto:BNLtech@chauvetlighting.eu">BNLtech@chauvetlighting.eu</a> Website: <a href="http://www.chauvetprofessional.eu">www.chauvetprofessional.eu</a>
<b>Chauvet France</b>	
Address: 3, Rue Ampère 91380 Chilly-Mazarin France Voice: +33 1 78 85 33 59	Email: <a href="mailto:FRtech@chauvetlighting.fr">FRtech@chauvetlighting.fr</a> Website: <a href="http://www.chauvetprofessional.eu">www.chauvetprofessional.eu</a>
<b>Chauvet Germany</b>	
Address: Bruno-Bürgel-Str. 11 28759 Bremen Germany Voice: +49 421 62 60 20	Email: <a href="mailto:DEtech@chauvetlighting.de">DEtech@chauvetlighting.de</a> Website: <a href="http://www.chauvetprofessional.eu">www.chauvetprofessional.eu</a>
<b>Chauvet Mexico</b>	
Address: Av. de las Partidas 34 - 3B (Entrance by Calle 2) Zona Industrial Lerma Lerma, Edo. de México, CP 52000 Voice: +52 (728) 690-2010	Email: <a href="mailto:servicio@chauvet.com.mx">servicio@chauvet.com.mx</a> Website: <a href="http://www.chauvetprofessional.mx">www.chauvetprofessional.mx</a>

Visit the applicable website above to verify our contact information and instructions to request support. Outside the U.S., United Kingdom, Ireland, Mexico, France, Germany, or Benelux, contact the dealer of record.