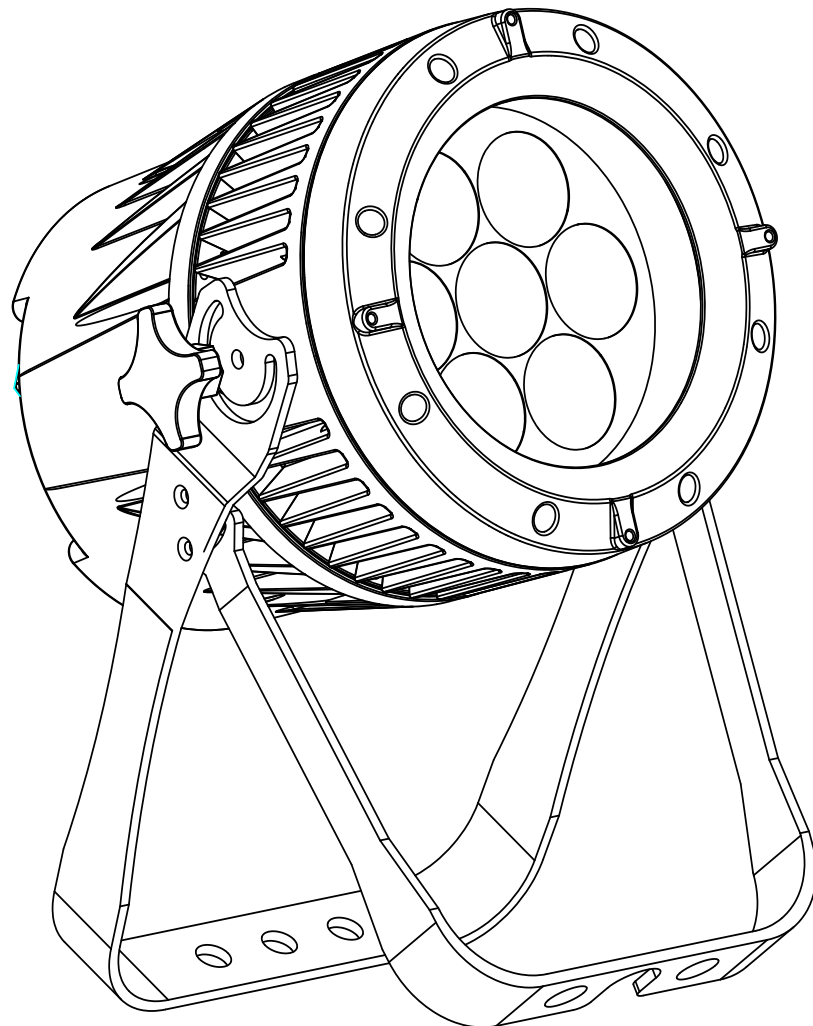


# COLORADO 1-QUAD ZOOM

## Quick Reference Guide

English	EN
Español	ES
Français	FR
Nederlands	NL



## About This Guide

The Colorado 1 Quad Zoom Quick Reference Guide (QRG) has basic product information such as connection, mounting, menu options, and DMX values. Download the User Manual from [www.chauvetprofessional.com](http://www.chauvetprofessional.com) for more details.

### Disclaimer

The information and specifications contained in this QRG are subject to change without notice.

### Safety Notes

- DO NOT open this product. It contains no user-serviceable parts.
- To eliminate unnecessary wear and improve its lifespan, during periods of non-use completely disconnect the product from power via breaker or by unplugging it.
- DO NOT look at the light source when the product is on.
- CAUTION: This product's housing may be hot when lights are operating. Mount this product in a location with adequate ventilation, at least 20 in (50 cm) from adjacent surfaces.
- DO NOT leave any flammable material within 50 cm of this product while operating or connected to power.
- CAUTION: When transferring product from extreme temperature environments, (e.g., cold truck to warm humid ballroom) condensation may form on the internal electronics of the product. To avoid causing a failure, allow product to fully acclimate to the surrounding environment before connecting it to power.
- Not for permanent outdoor installation in locations with extreme environmental conditions. This includes, but is not limited to:
  - Exposure to a marine/saline environment (within 3 miles of a saltwater body of water).
  - Where the normal high or low temperatures of the location exceed the temperature ranges in this manual.
  - Locations that are prone to flooding or being buried in snow.
  - Other areas where the product will be subject to extreme radiation or caustic substances.
  - When using this product in an outdoor, IP65 type environment, be sure to use IP65 (or higher) rated power/data cables, secure unused ports with attached IP65 covers, and secure the display plate to the control panel.
- USE a safety cable when mounting this product overhead.
- DO NOT submerge this product (IP65). Regular outdoor operation is fine.
- DO NOT operate this product if the housing, lenses, or cables appear damaged.
- DO NOT connect this product to a dimmer or rheostat.
- ONLY connect this product to a grounded and protected circuit.
- ONLY use the hanging/mounting bracket to carry this product.
- In the event of a serious operating problem, stop using immediately.
- The maximum ambient temperature is 113 °F (45 °C). Do not operate this product at higher temperatures.

### Contact

Outside the U.S., United Kingdom, Ireland, Mexico, or Benelux, contact your distributor to request support or return a product. From inside the U.S., UK, Ireland, Mexico, or Benelux, use the information in [Contact Us](#) at the end of this QRG.

### What is Included

- Colorado 1 Quad Zoom
- Seetronic Powerkon IP65 power cord
- Gel frame holder (7.5 in/191 mm accessories)
- Gel frame
- Warranty Card
- Quick Reference Guide

### AC Power

This product has an auto-ranging power supply that can work with an input voltage range of 100–240 VAC, 50/60 Hz.

### Power Linking

You can link up to 12 Colorado 1 Quad Zoom products at 120 VAC or 23 at 230 VAC. Never exceed this number. Power linking cords can be purchased separately.

**AC Plug**

Connection	Wire (U.S.)	Wire (Europe)	Screw Color
AC Live	Black	Brown	Yellow/Brass
AC Neutral	White	Blue	Silver
AC Ground	Green/Yellow	Green/Yellow	Green



- To eliminate unnecessary wear and improve its lifespan, during periods of non-use completely disconnect the product from power via breaker or by unplugging it.
- When using this product in an outdoor IP65 type environment, be sure to use IP65 (or higher) rated power cables and secure unused ports with attached IP65 covers.

**DMX Linking**

The Colorado 1 Quad Zoom will work with a DMX controller using a 5-pin DMX serial connection. A DMX Primer is available from [www.chauvetprofessional.com](http://www.chauvetprofessional.com).

**DMX Connection**

The Colorado 1 Quad Zoom uses a 5-pin DMX data connection for its DMX personalities: **TOUR, TR16, FULL, ARC.1, AR1.D, ARC.2, AR2.D, C1Q, STD.Y, AR2.S, AR2.Z,** and **HSV**. See the User Manual for information about connecting and configuring the product for DMX operation.



When using this product in an outdoor IP65 type environment, be sure to use IP65 (or higher) rated data cables and secure unused ports with attached IP65 covers.



The C1Q personality has been designed to be used to match the Colorado 1-Quad series. In this personality, the zoom is locked to match the beam and field angles of the Colorado 1-Quad series.

For optimum control of the 16-bit dimming channels in the TR16, FULL, and STD.Y personalities, be sure that both dimming curves in **SETTING > DIMMER** are set to **OFF**

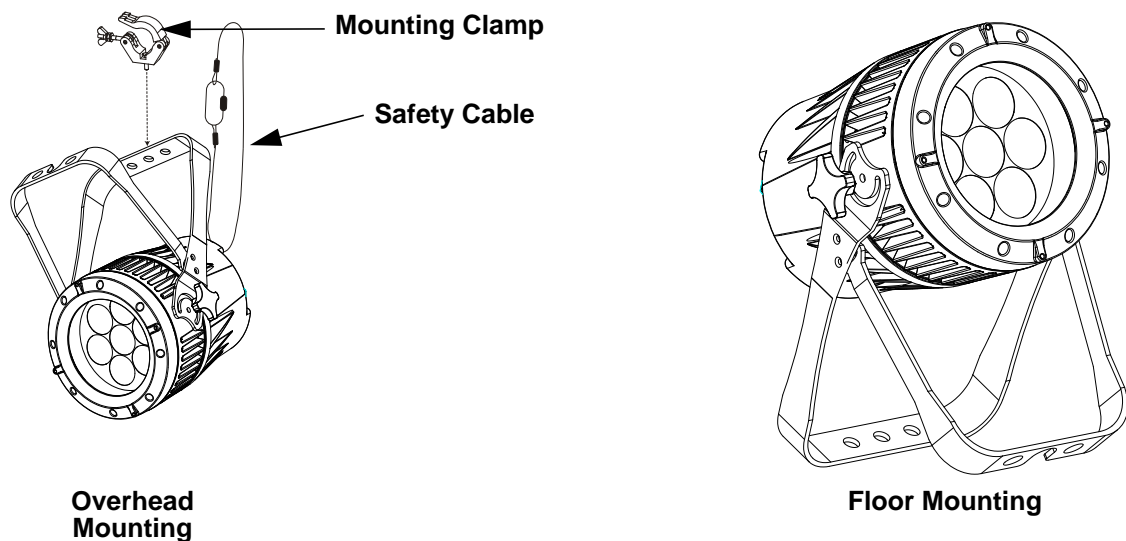
**Master/Slave Connection**

The Colorado 1 Quad Zoom uses the DMX data connection for its Master/Slave mode. See the User Manual for information about connecting and configuring the product for master/slave operation.

**Mounting**

Before mounting this product, read the [Safety Notes](#). Use at least one mounting point per product. Make sure the mounting clamps are capable of supporting the weight of the product. For our Chauvet line of mounting clamps, go to <http://trusst.com/productcategory/truss-clamps/>

**Product Mounting Diagram**



### Control Panel Description

Button	Function
<MENU>	Exits from the current menu or function
<ENTER>	Enables the currently displayed menu or sets the currently selected value into the selected function
<UP>	Navigates upwards through the menu list or increases the numeric value when in a function
<DOWN>	Navigates downwards through the menu list or decreases the numeric value when in a function

### Passcode

After being prompted, enter the following passcode by pressing:

<UP>, <DOWN>, <UP>, <DOWN>, <ENTER>

This passcode cannot be changed and must be used whenever prompted.

### Menu Map

Main Level	Programming Levels		Description
STAT	RED	R.	0-255 Combines red, green, blue, and white to make a custom color (0–100%)
	GREEN	G.	
	BLUE	B.	
	WHITE	W.	
	ZOOM	Z.	
	STROBE	S.	0-20 Changes the beam angle (zoom) Selects the strobe frequency (0–20 Hz)
AUTO	AT. 1-10		P. 0-255 Selects automatic programs and auto program speed
	PR 1-10		
RUN	DMX		Receives DMX signals from the DMX controller
	SLAVE		Receives DMX signals from the master
ADDR	D. 001-512		Sets the DMX starting address
PERS	FULL		25-channel: 16-bit RGBW pixel control and dimmer; strobe, color macro, auto/custom, dimmer speed, auto speed, zoom, zoom reset
	TR16		17-channel: 16-bit RGBW and dimmer; strobe, color macro, auto/custom, dimmer speed, auto speed, zoom, zoom reset
	STD.Y		17-channel: 16-bit RGBW and dimmer; strobe, color macro, auto/custom, dimmer speed, auto speed, zoom, zoom reset
	TOUR		12-channel: RGBW, dimmer, strobe, color macro, auto/custom, dimmer speed, auto speed, zoom, zoom reset
	C1Q**		10-channel: RGBW, dimmer, strobe, color macro, auto/custom, dimmer speed, auto speed **
	AR2.Z		7-channel: RGBW, dimmer, zoom, zoom reset
	AR2.S		6-channel: RGBW, dimmer, strobe
	AR2.D		5-channel: RGBW, dimmer
	ARC.2		4-channel: RGBW
	AR1.D		4-channel: RGB, dimmer
ARC.1		3-channel: RGB control	
HSV.		3-channel: HSV control	

Main Level	Programming Levels				Description		
EDIT	PR. 1-10	SC.01-30	RED	0-255	Combines red, green, blue, and white to make a custom color (0-100%)		
			GRN				
			BLU				
			WHIT				
			ZOOM			0-20	Changes the beam angle (zoom)
			STRB				Selects the strobe frequency (0–20 Hz)
			TIME				0-255
FADE	Defines the fade duration (slow to fast)						
SET	**** (Enter Passcode)	UPLD	**** (Enter Passcode)	SEND	Uploads custom programs to other Colorado 1 Quad Zoom		
		KEY	OFF	ON	Sets to key lock (Passcode mode)		
			ON				
		REST	**** (Enter Passcode)	Resets the fixture to factory defaults			
		COLR	OFF	RGBW	RGB set to 255 = max. output		
			RGBW		RGB set to 255 = balanced white		
			UC.		Universal color balance		
		DIMX	OFF	DIM1	Selects dimming profiles from fast (DIM1) to slow (DIM4) or OFF		
			DIM1				
			DIM2				
			DIM3				
		CURV	OFF	CV1	No dimmer		
			CV1				
			CV2				
		DERR	SAVE	BLACK	Continues with last command upon loss of DMX control		
BLACK	Blacks out fixture upon loss of DMX						
ON	SET main level access lock						
OFF							
ZOOM	BASE	POS1	Sets default zoom position (full movement)				
	POS1		Sets position 1 setting for zoom limit				
	POS2		Sets position 2 setting for zoom limit				
CAL	**** (Enter Passcode)	CAL1	WH. 01-11	RED	0-255	Modifies the color macros used in the TOUR, FULL, C1Q, STD.Y, and TR16 personalities	
				GREEN			
		CAL2	R.				
			G.				
CALR	B.	**** (Enter Passcode)	Defaults CAL to factory settings				
	**** (Enter Passcode)						
ZOOM	POS.1	P. 0-255	Sets the min/max position of the zoom function				
	POS.2						

\*\*Zoom locked to match Colorado 1-Quad Tour series.

## QUICK REFERENCE GUIDE



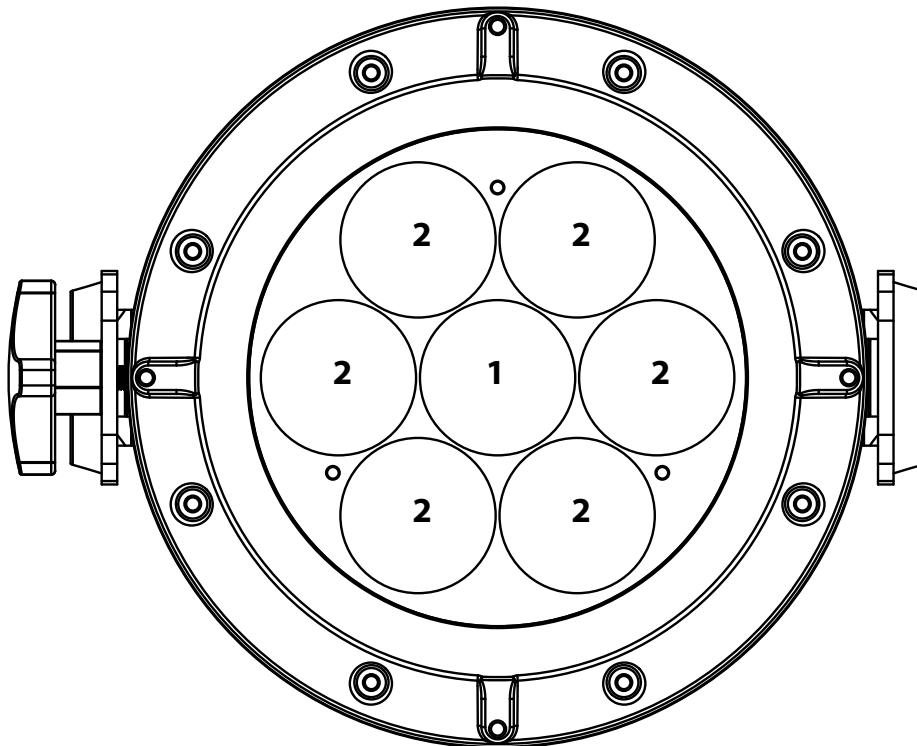
EN

### DMX Values

FULL	Channel	Function	Value	Percent/Setting
	1	Dimmer	000 ⇔ 255	0-100%
	2	Fine Dimmer	000 ⇔ 255	Fine control (16-bit) (Step Duration if Custom 1–10 in CH. 21 is active)
	3	Red 1	000 ⇔ 255	0–100% (Fade Duration if Custom 1–10 in CH. 21 is active)
	4	Fine Red 1	000 ⇔ 255	Fine control (16-bit)
	5	Green 1	000 ⇔ 255	0-100%
	6	Fine Green 1	000 ⇔ 255	Fine control (16-bit)
	7	Blue 1	000 ⇔ 255	0-100%
	8	Fine Blue 1	000 ⇔ 255	Fine control (16-bit)
	9	White 1	000 ⇔ 255	0-100%
	10	Fine White 1	000 ⇔ 255	Fine control (16-bit)
	11	Red 2	000 ⇔ 255	0–100%
	12	Fine Red 2	000 ⇔ 255	Fine control (16-bit)
	13	Green 2	000 ⇔ 255	0-100%
	14	Fine Green 2	000 ⇔ 255	Fine control (16-bit)
	15	Blue 2	000 ⇔ 255	0-100%
	16	Fine Blue 2	000 ⇔ 255	Fine control (16-bit)
	17	White 2	000 ⇔ 255	0-100%
	18	Fine White 2	000 ⇔ 255	Fine control (16-bit)
	19	Color Macro + White Balance	000 ⇔ 010	No function
			011 ⇔ 030	R:100% G: 0-100% B: 0
			031 ⇔ 050	R:100%-0 G: 100% B: 0
			051 ⇔ 070	R:0 G: 100% B: 0-100%
			071 ⇔ 090	R:0 G: 100%-0 B: 100%
			091 ⇔ 110	R:0-100% G: 0 B: 100%
			111 ⇔ 130	R:100% G: 0 B: 100%-0
			131 ⇔ 150	R:100% G: 0-100% B: 0-100%
			151 ⇔ 170	R:100%-0 G: 100%-0 B: 100%
			171 ⇔ 200	RGBW: 100%
			201 ⇔ 205	White 1
			206 ⇔ 210	White 2
			211 ⇔ 215	White 3
			216 ⇔ 220	White 4
			221 ⇔ 225	White 5
			226 ⇔ 230	White 6
			231 ⇔ 235	White 7
	236 ⇔ 240	White 8		
	241 ⇔ 245	White 9		
	246 ⇔ 251	White 10		
	251 ⇔ 255	White 11		
	20	Strobe	000 ⇔ 009 010 ⇔ 255	No function 0-20 Hz

FULL	Channel	Function	Value	Percent/Setting
	21	Programs	000 ⇄ 040	No function
			041 ⇄ 050	Auto 1
			051 ⇄ 060	Auto 2
			061 ⇄ 070	Auto 3
			071 ⇄ 080	Auto 4
			081 ⇄ 090	Auto 5
			091 ⇄ 100	Auto 6
			101 ⇄ 110	Auto 7
			111 ⇄ 120	Auto 8
			121 ⇄ 130	Auto 9
			131 ⇄ 140	Auto 10
			141 ⇄ 150	Custom 1
			151 ⇄ 160	Custom 2
			161 ⇄ 170	Custom 3
			171 ⇄ 180	Custom 4
			181 ⇄ 190	Custom 5
	191 ⇄ 200	Custom 6		
	201 ⇄ 210	Custom 7		
	211 ⇄ 220	Custom 8		
	221 ⇄ 230	Custom 9		
	231 ⇄ 255	Custom 10		
	22	Auto Speed	000 ⇄ 255	0-100% (only when using Auto 1–10 in CH. 21)
	23	Dimmer Speed	000 ⇄ 009	Preset dimmer speed from display menu
			010 ⇄ 029	Linear dimmer
			030 ⇄ 069	Nonlinear dimming curve 1 (fastest)
			070 ⇄ 129	Nonlinear dimming curve 2
			130 ⇄ 189	Nonlinear dimming curve 3
		190 ⇄ 255	Nonlinear dimming curve 4 (slowest)	
	24	Zoom	000 ⇄ 255	0-100%
	25	Zoom Control	000 ⇄ 200	No function
			201 ⇄ 220	Zoom reset
			221 ⇄ 255	No function

**COLORado 1-Quad Zoom Tour Pixel Selection for DMX Control**





QUICK REFERENCE GUIDE



EN

TR16	Channel	Function	Value	Percent/Setting
	1	Dimmer	000 ⇔ 255	0-100%
	2	Fine Dimmer	000 ⇔ 255	Fine control (16-bit) (Step Duration if Custom 1–10 in CH. 13 is active)
	3	Red	000 ⇔ 255	0-100% (Fade Duration if Custom 1–10 in CH. 13 is active)
	4	Fine Red	000 ⇔ 255	Fine control (16-bit)
	5	Green	000 ⇔ 255	0-100%
	6	Fine Green	000 ⇔ 255	Fine control (16-bit)
	7	Blue	000 ⇔ 255	0-100%
	8	Fine Blue	000 ⇔ 255	Fine control (16-bit)
	9	White	000 ⇔ 255	0-100%
	10	Fine White	000 ⇔ 255	Fine control (16-bit)
	11	Color Macro + White Balance	000 ⇔ 010	No function
011 ⇔ 030			R:100% G: 0-100% B: 0	
031 ⇔ 050			R:100%-0 G: 100% B: 0	
051 ⇔ 070			R:0 G: 100% B: 0-100%	
071 ⇔ 090			R:0 G: 100%-0 B: 100%	
091 ⇔ 110			R:0-100% G: 0 B: 100%	
111 ⇔ 130			R:100% G: 0 B: 100%-0	
131 ⇔ 150			R:100% G: 0-100% B: 0-100%	
151 ⇔ 170			R:100%-0 G: 100%-0 B: 100%	
171 ⇔ 200			RGBW: 100%	
201 ⇔ 205			White 1	
206 ⇔ 210			White 2	
211 ⇔ 215			White 3	
216 ⇔ 220			White 4	
221 ⇔ 225			White 5	
226 ⇔ 230			White 6	
231 ⇔ 235			White 7	
236 ⇔ 240	White 8			
241 ⇔ 245	White 9			
246 ⇔ 251	White 10			
251 ⇔ 255	White 11			
	12	Strobe	000 ⇔ 009 010 ⇔ 255	No function 0-20 Hz
	13	Programs	000 ⇔ 040	No function
041 ⇔ 050			Auto 1	
051 ⇔ 060			Auto 2	
061 ⇔ 070			Auto 3	
071 ⇔ 080			Auto 4	
081 ⇔ 090			Auto 5	
091 ⇔ 100			Auto 6	
101 ⇔ 110			Auto 7	
111 ⇔ 120			Auto 8	
121 ⇔ 130			Auto 9	
131 ⇔ 140			Auto 10	
141 ⇔ 150			Custom 1	
151 ⇔ 160			Custom 2	
161 ⇔ 170			Custom 3	
171 ⇔ 180			Custom 4	
181 ⇔ 190			Custom 5	
191 ⇔ 200			Custom 6	
201 ⇔ 210	Custom 7			
211 ⇔ 220	Custom 8			
221 ⇔ 230	Custom 9			
231 ⇔ 255	Custom 10			
	14	Auto Speed	000 ⇔ 255	0-100% (only when using Auto 1–10 in CH. 13)



TR16	Channel	Function	Value	Percent/Setting
	15	Dimmer Speed	000 ⇄ 009 010 ⇄ 029 030 ⇄ 069 070 ⇄ 129 130 ⇄ 189 190 ⇄ 255	Preset dimmer speed from display menu Linear dimmer Nonlinear dimming curve 1 (fastest) Nonlinear dimming curve 2 Nonlinear dimming curve 3 Nonlinear dimming curve 4 (slowest)
	16	Zoom	000 ⇄ 255	0-100%
	17	Zoom Control	000 ⇄ 200 201 ⇄ 220 221 ⇄ 255	No function Zoom reset No function

STD.Y	Channel	Function	Value	Percent/Setting
	1	Dimmer	000 ⇄ 255	0-100%
	2	Fine Dimmer	000 ⇄ 255	Fine control (16-bit) (Step Duration if Custom 1–10 in CH. 13 is active)
	3	Red	000 ⇄ 255	0-100% (Fade Duration if Custom 1–10 in CH. 13 is active)
	4	Fine Red	000 ⇄ 255	Fine control (16-bit)
	5	Green	000 ⇄ 255	0-100%
	6	Fine Green	000 ⇄ 255	Fine control (16-bit)
	7	Blue	000 ⇄ 255	0-100%
	8	Fine Blue	000 ⇄ 255	Fine control (16-bit)
	9	White	000 ⇄ 255	0-100%
	10	Fine White	000 ⇄ 255	Fine control (16-bit)
	11	Color Macro + White Balance	000 ⇄ 010 011 ⇄ 030 031 ⇄ 050 051 ⇄ 070 071 ⇄ 090 091 ⇄ 110 111 ⇄ 130 131 ⇄ 150 151 ⇄ 170 171 ⇄ 200 201 ⇄ 205 206 ⇄ 210 211 ⇄ 215 216 ⇄ 220 221 ⇄ 225 226 ⇄ 230 231 ⇄ 235 236 ⇄ 240 241 ⇄ 245 246 ⇄ 251 251 ⇄ 255	No function R:100% G: 0-100% B: 0 R:100%-0 G: 100% B: 0 R:0 G: 100% B: 0-100% R:0 G: 100%-0 B: 100% R:0-100% G: 0 B: 100% R:100% G: 0 B: 100%-0 R:100% G: 0-100% B: 0-100% R:100%-0 G: 100%-0 B: 100% RGBW: 100% White 1 White 2 White 3 White 4 White 5 White 6 White 7 White 8 White 9 White 10 White 11
	12	Strobe	000 ⇄ 009 010 ⇄ 255	No function 0-20 Hz

## QUICK REFERENCE GUIDE



EN

STD.Y	Channel	Function	Value	Percent/Setting
13		Programs	000 ⇄ 040	No function
			041 ⇄ 050	Auto 1
			051 ⇄ 060	Auto 2
			061 ⇄ 070	Auto 3
			071 ⇄ 080	Auto 4
			081 ⇄ 090	Auto 5
			091 ⇄ 100	Auto 6
			101 ⇄ 110	Auto 7
			111 ⇄ 120	Auto 8
			121 ⇄ 130	Auto 9
			131 ⇄ 140	Auto 10
			141 ⇄ 150	Custom 1
			151 ⇄ 160	Custom 2
			161 ⇄ 170	Custom 3
			171 ⇄ 180	Custom 4
			181 ⇄ 190	Custom 5
			191 ⇄ 200	Custom 6
201 ⇄ 210	Custom 7			
211 ⇄ 220	Custom 8			
221 ⇄ 230	Custom 9			
231 ⇄ 255	Custom 10			
14	Auto Speed		000 ⇄ 255	0-100% (only when using Auto 1–10 in CH. 13)
15	Dimmer Speed		000 ⇄ 009	Preset dimmer speed from display menu
			010 ⇄ 029	Linear dimmer
			030 ⇄ 069	Nonlinear dimming curve 1 (fastest)
			070 ⇄ 129	Nonlinear dimming curve 2
			130 ⇄ 189	Nonlinear dimming curve 3
	190 ⇄ 255	Nonlinear dimming curve 4 (slowest)		
16	Zoom		000 ⇄ 255	0-100%
17	Zoom Control		000 ⇄ 200	No function
			201 ⇄ 220	Zoom reset
			221 ⇄ 255	No function

TOUR	Channel	Function	Value	Percent/Setting
	1	Dimmer	000 ⇄ 255	0-100%
	2	Red	000 ⇄ 255	0-100% (Step Duration if Custom 1–10 in CH. 8 is active)
	3	Green	000 ⇄ 255	0-100% (Fade Duration if Custom 1–10 in CH. 8 is active)
	4	Blue	000 ⇄ 255	0-100%
	5	White	000 ⇄ 255	0-100%
	6	Color Macro + White Balance	000 ⇄ 010	No function
			011 ⇄ 030	R:100% G: 0-100% B: 0
			031 ⇄ 050	R:100%-0 G: 100% B: 0
			051 ⇄ 070	R:0 G: 100% B: 0-100%
			071 ⇄ 090	R:0 G: 100%-0 B: 100%
			091 ⇄ 110	R:0-100% G: 0 B: 100%
			111 ⇄ 130	R:100% G: 0 B: 100%-0
			131 ⇄ 150	R:100% G: 0-100% B: 0-100%
			151 ⇄ 170	R:100%-0 G: 100%-0 B: 100%
			171 ⇄ 200	RGBW: 100%
			201 ⇄ 205	White 1
			206 ⇄ 210	White 2
			211 ⇄ 215	White 3
			216 ⇄ 220	White 4
			221 ⇄ 225	White 5
			226 ⇄ 230	White 6
			231 ⇄ 235	White 7
			236 ⇄ 240	White 8
			241 ⇄ 245	White 9
			246 ⇄ 251	White 10
	251 ⇄ 255	White 11		

TOUR	Channel	Function	Value	Percent/Setting
	7	Strobe	000 ⇄ 009	No function
			010 ⇄ 255	0-20 Hz
	8	Programs	000 ⇄ 040	No function
			041 ⇄ 050	Auto 1
			051 ⇄ 060	Auto 2
			061 ⇄ 070	Auto 3
			071 ⇄ 080	Auto 4
			081 ⇄ 090	Auto 5
			091 ⇄ 100	Auto 6
			101 ⇄ 110	Auto 7
			111 ⇄ 120	Auto 8
			121 ⇄ 130	Auto 9
			131 ⇄ 140	Auto 10
			141 ⇄ 150	Custom 1
			151 ⇄ 160	Custom 2
			161 ⇄ 170	Custom 3
171 ⇄ 180	Custom 4			
181 ⇄ 190	Custom 5			
191 ⇄ 200	Custom 6			
201 ⇄ 210	Custom 7			
211 ⇄ 220	Custom 8			
221 ⇄ 230	Custom 9			
231 ⇄ 255	Custom 10			
9	Auto Speed	000 ⇄ 255	0-100% (only when using Auto 1–10 in CH. 8)	
10	Dimmer Speed	000 ⇄ 009	Preset dimmer speed from display menu	
		010 ⇄ 029	Linear dimmer	
		030 ⇄ 069	Nonlinear dimming curve 1 (fastest)	
		070 ⇄ 129	Nonlinear dimming curve 2	
		130 ⇄ 189	Nonlinear dimming curve 3	
190 ⇄ 255	Nonlinear dimming curve 4 (slowest)			
11	Zoom	000 ⇄ 255	0-100%	
12	Zoom Control	000 ⇄ 200	No function	
		201 ⇄ 220	Zoom reset	
		221 ⇄ 255	No function	

C1Q	Channel	Function	Value	Percent/Setting
	1	Dimmer	000 ⇄ 255	0-100%
	2	Red	000 ⇄ 255	0-100% (Step Duration if Custom 1–10 in CH. 8 is active)
	3	Green	000 ⇄ 255	0–100% (Fade Duration if Custom 1–10 in CH. 8 is active)
	4	Blue	000 ⇄ 255	0-100%
	5	White	000 ⇄ 255	0-100%

## QUICK REFERENCE GUIDE



EN

C1Q	Channel	Function	Value	Percent/Setting
6		<b>Color Macro + White Balance</b>	000 ⇔ 010	No function
			011 ⇔ 030	R:100% G: 0-100% B: 0
			031 ⇔ 050	R:100%-0 G: 100% B: 0
			051 ⇔ 070	R:0 G: 100% B: 0-100%
			071 ⇔ 090	R:0 G: 100%-0 B: 100%
			091 ⇔ 110	R:0-100% G: 0 B: 100%
			111 ⇔ 130	R:100% G: 0 B: 100%-0
			131 ⇔ 150	R:100% G: 0-100% B: 0-100%
			151 ⇔ 170	R:100%-0 G: 100%-0 B: 100%
			171 ⇔ 200	RGBW: 100%
			201 ⇔ 205	White 1
			206 ⇔ 210	White 2
			211 ⇔ 215	White 3
			216 ⇔ 220	White 4
			221 ⇔ 225	White 5
			226 ⇔ 230	White 6
			231 ⇔ 235	White 7
236 ⇔ 240	White 8			
241 ⇔ 245	White 9			
246 ⇔ 251	White 10			
251 ⇔ 255	White 11			
7		<b>Strobe</b>	000 ⇔ 009	No function
			010 ⇔ 255	0-20 Hz
8		<b>Programs</b>	000 ⇔ 040	No function
			041 ⇔ 050	Auto 1
			051 ⇔ 060	Auto 2
			061 ⇔ 070	Auto 3
			071 ⇔ 080	Auto 4
			081 ⇔ 090	Auto 5
			091 ⇔ 100	Auto 6
			101 ⇔ 110	Auto 7
			111 ⇔ 120	Auto 8
			121 ⇔ 130	Auto 9
			131 ⇔ 140	Auto 10
			141 ⇔ 150	Custom 1
			151 ⇔ 160	Custom 2
			161 ⇔ 170	Custom 3
			171 ⇔ 180	Custom 4
			181 ⇔ 190	Custom 5
			191 ⇔ 200	Custom 6
201 ⇔ 210	Custom 7			
211 ⇔ 220	Custom 8			
221 ⇔ 230	Custom 9			
231 ⇔ 255	Custom 10			
9		<b>Auto Speed</b>	000 ⇔ 255	0-100% (only when using Auto 1–10 in CH. 8)
10		<b>Dimmer Speed</b>	000 ⇔ 009	Preset dimmer speed from display menu
			010 ⇔ 029	Linear dimmer
			030 ⇔ 069	Nonlinear dimming curve 1 (fastest)
			070 ⇔ 129	Nonlinear dimming curve 2
			130 ⇔ 189	Nonlinear dimming curve 3
190 ⇔ 255	Nonlinear dimming curve 4 (slowest)			

AR2.Z	Channel	Function	Value	Percent/Setting
	1	Dimmer	000 ⇄ 255	0-100%
	2	Red	000 ⇄ 255	0-100%
	3	Green	000 ⇄ 255	0-100%
	4	Blue	000 ⇄ 255	0-100%
	5	White	000 ⇄ 255	0-100%
	6	Zoom	000 ⇄ 255	0-100%
	7	Zoom Control	000 ⇄ 200 201 ⇄ 220 221 ⇄ 255	No function Zoom reset No function

AR2.S	Channel	Function	Value	Percent/Setting
	1	Dimmer	000 ⇄ 255	0-100%
	2	Red	000 ⇄ 255	0-100%
	3	Green	000 ⇄ 255	0-100%
	4	Blue	000 ⇄ 255	0-100%
	5	White	000 ⇄ 255	0-100%
	6	Strobe	000 ⇄ 009 010 ⇄ 255	No function 0-20 Hz

AR2.D	Channel	Function	Value	Percent/Setting
	1	Dimmer	000 ⇄ 255	0-100%
	2	Red	000 ⇄ 255	0-100%
	3	Green	000 ⇄ 255	0-100%
	4	Blue	000 ⇄ 255	0-100%
	5	White	000 ⇄ 255	0-100%

ARC.2	Channel	Function	Value	Percent/Setting
	1	Red	000 ⇄ 255	0-100%
	2	Green	000 ⇄ 255	0-100%
	3	Blue	000 ⇄ 255	0-100%
	4	White	000 ⇄ 255	0-100%

AR1.D	Channel	Function	Value	Percent/Setting
	1	Dimmer	000 ⇄ 255	0-100%
	2	Red	000 ⇄ 255	0-100%
	3	Green	000 ⇄ 255	0-100%
	4	Blue	000 ⇄ 255	0-100%

ARC.1	Channel	Function	Value	Percent/Setting
	1	Red	000 ⇄ 255	0-100%
	2	Green	000 ⇄ 255	0-100%
	3	Blue	000 ⇄ 255	0-100%

HSV	Channel	Function	Value	Percent/Setting
	1	Hue	000 ⇄ 255	0-100%
	2	Saturation	000 ⇄ 255	0-100%
	3	Value	000 ⇄ 255	0-100%

## Acerca de Esta Guía

La Guía de Referencia Rápida (GRR) del Colorado 1 Quad Zoom contiene información básica sobre el producto, como montaje, opciones de menú y valores DMX. Descargue el Manual de Usuario de [www.chauvetprofessional.com](http://www.chauvetprofessional.com) para información más detallada.

## Exención de Responsabilidad

La información y especificaciones contenidas en esta GRR están sujetas a cambio sin previo aviso.

## Notas de Seguridad

- NO abra este producto. No contiene piezas reparables por el usuario.
- Para evitar un desgaste innecesario y alargar su vida útil, desconecte complementemente el producto de la alimentación, mediante el interruptor o desenchufándolo, durante los periodos en los que no se use.
- NO mire a la fuente de luz cuando el producto esté encendido.
- CUIDADO: La carcasa de este producto está caliente cuando las luces están en funcionamiento.
- Monte este producto en una ubicación con ventilación adecuada, al menos a 20" (50 cm) de superficies adyacentes.
- NO deje ningún material inflamable a menos de 50 cm de este producto mientras esté funcionando o conectado a la alimentación.
- Cuidado: cuando transfiera el producto desde ambientes con temperatura extrema (p. ej., del remolque frío de un camión a una sala de baile con calor y humedad), puede formarse condensación en la electrónica interna del producto. Para evitar que se produzca una avería, deje que el producto se aclimate completamente al ambiente antes de conectar la alimentación.
- No apto para la instalación permanente en exteriores en lugares con condiciones ambientales extremas. Estas incluyen, sin limitarse a ellas:
  - Exposición a un ambiente marino/salino (a menos de 4,8 km de una masa de agua salada).
  - Cuando las temperaturas máxima o mínima habituales del lugar superan los rangos de temperatura en este manual.
  - Lugares proclives a inundaciones o a ser sepultados por la nieve.
  - Otras zonas en las que el producto esté expuesto a radiación extrema o sustancias cáusticas.
  - Cuando utilice este producto en exteriores con ambiente tipo IP65, asegúrese de usar cables de alimentación/datos con protección IP65 (o superior), proteger los puertos que no se usen colocando tapas IP65 y fijar la placa de pantalla al panel de control.
- USE un cable de seguridad cuando monte este producto en lo alto.
- NO sumerja este producto (IP65). La operación normal en exteriores es correcta.
- NO ponga en funcionamiento este producto si sospecha que la carcasa, lentes o cables están dañados.
- NO conecte este producto a un atenuador o reostato.
- Conecte este producto SOLO a un circuito con toma de tierra y protegido.
- Use SOLAMENTE los soportes de colgar/montar para mover este producto.
- En caso de un problema grave de funcionamiento, deje de usarlo inmediatamente.
- La máxima temperatura ambiente es de 113 °F (45 °C). No haga funcionar este producto a temperaturas más altas.

## Contacto

Fuera de EE.UU, Reino Unido, Irlanda, México o Benelux, póngase en contacto con su distribuidor para solicitar asistencia o devolver el producto. Visite [Contact Us](#) para información de contacto.

## Qué va Incluido

- Colorado 1 Quad Zoom
- Seetronic Powerkon IP65 cable de alimentación
- Marco de Gel
- Soporte para el Marco de Gel (accesorios 7,5"/191 mm)
- Tarjeta de Garantía
- Guía de Referencia Rápida

## Corriente Alterna

Este producto tiene una fuente de alimentación con detección automática que puede funcionar con un rango de tensión de entrada de 100 a 240 VCA, 50/60 Hz.

### Alimentación en Cadena

Puede enlazar hasta 12 productos Colorado 1 Quad Zoom a 120 V, o 23 a 230 V. Nunca sobrepase este número. Los cables de alimentación en cadena se pueden adquirir por separado

### Enchufe CA

Conexión	Cable (EE.UU.)	Cable (Europa)	Color del tornillo
CA Cargado	Negro	Marrón	Amarillo/Latón
CA Neutro	Blanco	Azul	Plata
CA Tierra	Verde/Amarillo	Verde/Amarillo	Verde



- Para evitar un desgaste innecesario y alargar su vida útil, desconecte completamente el producto de la alimentación, mediante el interruptor o desenchufándolo, durante los periodos en los que no se use.
- Cuando utilice este producto en exteriores, use cables de datos y alimentación con protección IP65 (o superior). Asegúrese de proteger los puertos de datos y alimentación que no se usen colocando tapas IP65.

## Enlace DMX

El Colorado 1 Quad Zoom funcionará con un controlador DMX usando una conexión serie DMX normal. Hay un manual DMX disponible en [www.chauvetprofessional.com](http://www.chauvetprofessional.com).

### Conexión DMX

El Colorado 1 Quad Zoom usa una conexión de datos DMX normal para sus personalidades: **TOUR**, **TR16**, **FULL**, **ARC.1**, **AR1.D**, **ARC.2**, **AR2.D**, **C1Q**, **STD.Y**, **AR2.S**, **AR2.Z**, y **HSV**. Vea el Manual de Usuario para conectar y configurar para funcionamiento DMX.



Quando utilice este producto en exteriores con ambiente tipo IP65, asegúrese de usar cables de datos con protección IP65 (o superior) y de proteger los puertos que no se usen colocando tapas IP65.



La personalidad C1Q est diseñada para utilizarse adaptándose a la serie COLORado 1-Quad. En esta personalidad, se bloquea el zoom para adaptarse a los Ángulos de haz y campo de la serie COLORado 1-Quad.

Para un control óptimo de los canales de atenuación de 16 bits en la personalidades TR16 y STD.Y asegúrese de que ambas curvas de atenuación en **SETTING > DIMMER** están configuradas en **OFF**.

## Conexión Maestro/Esclavo

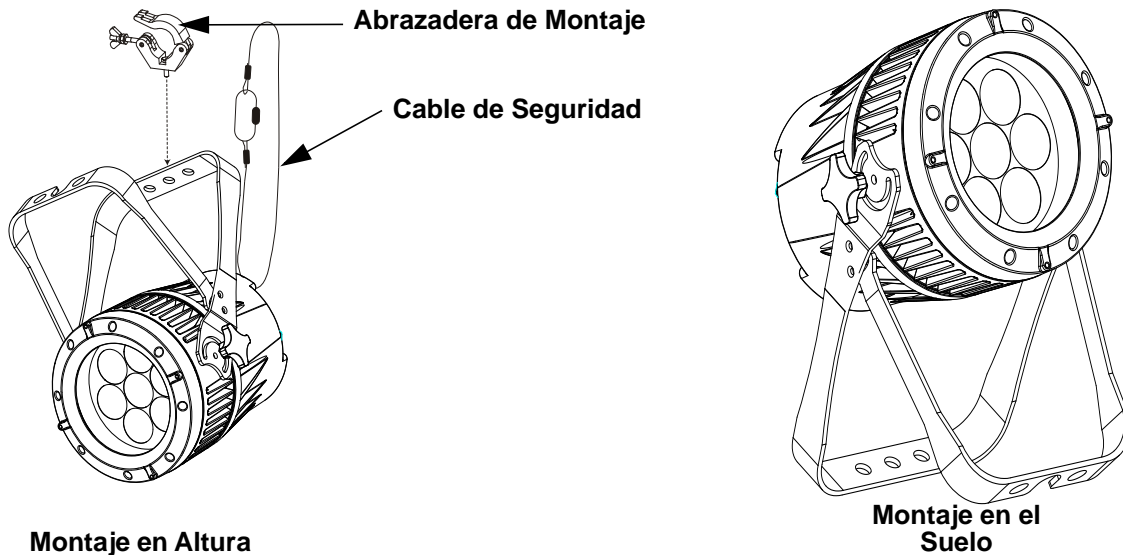
El Colorado 1 Quad Zoom usa la conexión de datos DMX para su modo Maestro/Esclavo. Vea el Manual de Usuario para conectar y configurar para funcionamiento Maestro/Esclavo.



## Montaje

Antes de montar este producto, lea las [Notas de Seguridad](#). Asegúrese de que las abrazaderas de montaje son capaces de soportar el peso del producto. Para nuestra línea Chauvet de abrazaderas de montaje, visite <http://trusst.com/productcategory/truss-clamps/>

### Diagrama de Montaje del Producto



### Descripción del Panel de Control

Botón	Función
<MENU>	Sale del menú o función actual
<ENTER>	Habilita el menú actualmente en pantalla o configura el valor seleccionado actualmente dentro de la función seleccionada
<UP>	Navega hacia arriba por la lista de menú o aumenta el valor numérico cuando está en una función
<DOWN>	Navega hacia abajo por la lista de menú o disminuye el valor numérico cuando está en una función

### Código de acceso

Después de que se le solicite, introduzca el siguiente código de acceso pulsando:

<UP>, <DOWN>, <UP>, <DOWN>, <ENTER>

Este código no se puede cambiar y se debe usar cuando se le solicite.

### Mapa de Menú

Nivel Principal	Niveles de Programación		Descripción
STAT	RED	R.	0-255 Combina rojo, verde, azul y blanco para formar un color personalizado (0-100%)
	GREEN	G.	
	BLUE	B.	
	WHITE	W.	
	ZOOM	Z.	
	STROBE	S.	0-20 Cambia el Ángulo del haz (zoom) Selecciona la frecuencia de estroboscopia (0-20 Hz)
AUTO	AT. 1-10		P. 0-255 10 programas automáticos
	PR 1-10		10 programas personalizables
RUN	DMX		Modo DMX
	SLAVE		Modo Esclavo
ADDR	D. 001-512		Selecciona la dirección DMX de inicio

Nivel Principal	Niveles de Programación			Descripción	
<b>PERS</b>	<b>FULL</b>			25-canales: 16-bit RVAB Control de píxel y atenuador; estroboscopio, macro de color, auto/personalizado, velocidad atenuador, velocidad automática zoom, reinicio del zoom	
	<b>TR16</b>			17-canales: 16-bit RVAB y atenuador, estroboscopio, macro de color, auto/personalizado, velocidad atenuador, velocidad automática zoom, reinicio del zoom	
	<b>STD.Y</b>			17-canales: 16-bit RVAB y atenuador, estroboscopio, macro de color, auto/personalizado, velocidad atenuador, velocidad automática zoom, reinicio del zoom	
	<b>TOUR</b>			12-canales: RVAB, atenuador, estroboscopio, macro de color, auto/personalizado, velocidad atenuador, velocidad automática, zoom, reinicio del zoom	
	<b>C1Q**</b>			10-canales: RVAB, atenuador, estroboscopio, macro de color, auto/personalizado, velocidad atenuador, velocidad automática **	
	<b>AR2.Z</b>			7-canales: RVAB, atenuador, zoom, reinicio del zoom	
	<b>AR2.S</b>			6-canales: Atenuador RVAB, atenuador, estroboscopio	
	<b>AR2.D</b>			5-canales: Atenuador RVAB, atenuador	
	<b>ARC.2</b>			4-canales: Control RVAB	
	<b>AR1.D</b>			4-canales: Atenuador RVA	
	<b>ARC.1</b>			3-canales: Control RVA	
	<b>HSV.</b>			3-canales: Control HSV	
<b>EDIT</b>	<b>PR. 1-10</b>	<b>SC.01-30</b>	<b>RED</b>	<b>0-255</b>	Combina rojo, verde, azul y blanco para generar un color personalizado (0-100%)
			<b>GREN</b>		
			<b>BLUE</b>		
			<b>WHIT</b>		
			<b>ZOOM</b>		
			<b>STRB</b>	<b>0-20</b>	Selecciona la frecuencia de estroboscopio (0-20 Hz)
			<b>TIME</b>	<b>0-255</b>	Define la duración del paso (lento a rápido)
			<b>FADE</b>		Define la duración del fado (lento a rápido)

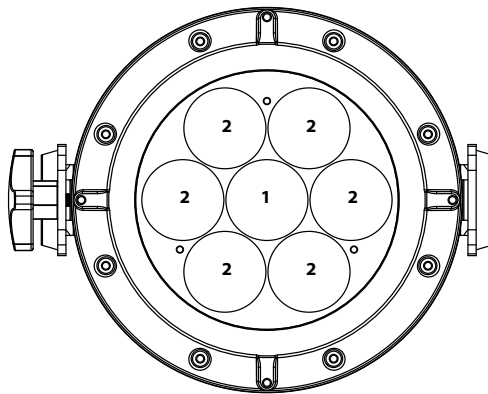
Nivel Principal	Niveles de Programación				Descripción	
<b>SET</b>	**** (Introducir código de acceso)	<b>UPLD</b>		**** (Introducir código de acceso)	<b>SEND</b>	Carga programas personalizados a otros productos COLORado 1-Quad Zoom
		<b>KEY</b>		<b>OFF</b> <b>ON</b>		Activa o desactiva la código de acceso
		<b>REST</b>		**** (Introducir código de acceso)		Restablece en el producto los valores de fabrica
		<b>COLR</b>		<b>OFF</b>		RGB establecido en 255 = máx. potencia
				<b>RGBW</b>		RGB establecido en 255 = equilibrio de blancos
				<b>UC.</b>		Equilibrio de color universal
		<b>DIMX</b>		<b>OFF</b>		Sin atenuador
				<b>DIM1</b>		Perfil de atenuador ( <b>DIM1</b> ) (rápido) a (lento) ( <b>DIM4</b> )
				<b>DIM2</b>		
				<b>DIM3</b>		
		<b>DIM4</b>				
		<b>CURV</b>		<b>OFF</b>		Sin atenuador
				<b>CV1</b>		Curvas de atenuador ( <b>CV1</b> ) (rápido) a ( <b>CV3</b> ) (lento) to slow
				<b>CV2</b>		
		<b>CV3</b>				
		<b>DERR</b>		<b>SAVE</b>		Continúa con el ultimo comando tras la perdida de control DMX
<b>BLACK</b>				Apaga (blackout) el dispositivo tras la perdida de señal DMX		
<b>SLCK</b>		<b>OFF</b>		Bloquea el acceso al nivel principal de <b>SET</b>		
		<b>ON</b>				
<b>ZOOM</b>		<b>BASE</b>		Configura la posición predeterminada del zoom (movimiento completo)		
		<b>POS1</b>		Establece la configuración de la posición 1 para el límite del zoom		
		<b>POS2</b>		Establece la configuración de la posición 2 para el límite del zoom		
<b>CAL</b>	**** (Introducir código de acceso)	<b>CAL1</b>	<b>WH.</b> 01-11	<b>RED</b>	0-255	Modifica los macros de color usados en las personalidades <b>TOUR</b> , <b>FULL</b> , <b>C1Q</b> , <b>TR16</b> y <b>STD.Y</b>
				<b>GREEN</b>		
				<b>BLUE</b>		
<b>WHITE</b>						
<b>CAL2</b>	<b>R.</b>	Define la temperatura de color usada cuando <b>COLR</b> se configura como <b>RGBW</b>				
	<b>G.</b>					
<b>CALR</b>		**** (Introducir código de acceso)		Restablece en <b>CAL</b> los valores de fabrica		
<b>ZOOM</b>	<b>POS.1</b>				<b>P. 0-255</b>	Configura la posición mín/máx del zoom
	<b>POS.2</b>					

**\*\*Zoom bloqueado para adaptarse a la serie Colorado 1-Quad. Valores DMX**

FULL	Canal	Función	Valor	Percent/Porcentaje/Configuración
	1	Atenuador	000 ⇄ 255	0-100%
	2	Atenuador fino	000 ⇄ 255	Nítido control (16-bit) (Duración del Paso si Personalizado 1–10 está activo en Canal 21)
	3	Rojo 1	000 ⇄ 255	0–100% (Duración del Fade si Personalizado 1–10 está activo en Canal 21)
	4	Rojo 1 nítido	000 ⇄ 255	Nítido control (16-bit)
	5	Verde 1	000 ⇄ 255	0-100%
	6	Verde 1 nítido	000 ⇄ 255	Nítido control (16-bit)
	7	Azul 1	000 ⇄ 255	0-100%
	8	Azul 1 nítido	000 ⇄ 255	Nítido control (16-bit)
	9	Blanco 1	000 ⇄ 255	0-100%
	10	Blanco 1 nítido	000 ⇄ 255	Nítido control (16-bit)
	11	Rojo 2	000 ⇄ 255	0–100%
	12	Rojo 2 nítido	000 ⇄ 255	Nítido control (16-bit)
	13	Verde 2	000 ⇄ 255	0-100%
	14	Verde 2 nítido	000 ⇄ 255	Nítido control (16-bit)
	15	Azul 2	000 ⇄ 255	0-100%
	16	Azul 2 nítido	000 ⇄ 255	Nítido control (16-bit)
	17	Blanco 2	000 ⇄ 255	0-100%
	18	Blanco 2 nítido	000 ⇄ 255	Nítido control (16-bit)
	19	Macro de Color + Equilibrio de Blancos	000 ⇄ 010	Sin funcion
			011 ⇄ 030	R:100% V: 0-100% A: 0
			031 ⇄ 050	R:100%-0 V: 100% A: 0
			051 ⇄ 070	R:0 V: 100% A: 0-100%
			071 ⇄ 090	R:0 V: 100%-0 A: 100%
			091 ⇄ 110	R:0-100% V: 0 A: 100%
			111 ⇄ 130	R:100% V: 0 A: 100%-0
			131 ⇄ 150	R:100% V: 0-100% A: 0-100%
			151 ⇄ 170	R:100%-0 V: 100%-0 A: 100%
			171 ⇄ 200	RVAB: 100%
			201 ⇄ 205	Blanco 1
			206 ⇄ 210	Blanco 2
			211 ⇄ 215	Blanco 3
			216 ⇄ 220	Blanco 4
	221 ⇄ 225	Blanco 5		
	226 ⇄ 230	Blanco 6		
	231 ⇄ 235	Blanco 7		
	236 ⇄ 240	Blanco 8		
	241 ⇄ 245	Blanco 9		
	246 ⇄ 251	Blanco 10		
	251 ⇄ 255	Blanco 11		
	20	Estroboscopio	000 ⇄ 009 010 ⇄ 255	Sin funcion 0-20 Hz

FULL	Canal	Función	Valor	Percent/Porcentaje/Configuración
	21	Programas	000 ⇔ 040	Sin función
			041 ⇔ 050	Auto 1
			051 ⇔ 060	Auto 2
			061 ⇔ 070	Auto 3
			071 ⇔ 080	Auto 4
			081 ⇔ 090	Auto 5
			091 ⇔ 100	Auto 6
			101 ⇔ 110	Auto 7
			111 ⇔ 120	Auto 8
			121 ⇔ 130	Auto 9
			131 ⇔ 140	Auto 10
			141 ⇔ 150	Personalizado 1
			151 ⇔ 160	Personalizado 2
			161 ⇔ 170	Personalizado 3
			171 ⇔ 180	Personalizado 4
			181 ⇔ 190	Personalizado 5
	191 ⇔ 200	Personalizado 6		
	201 ⇔ 210	Personalizado 7		
	211 ⇔ 220	Personalizado 8		
	221 ⇔ 230	Personalizado 9		
	231 ⇔ 255	Personalizado 10		
	22	Velocidad Automática	000 ⇔ 255	0-100%% (solo cuando se usa Auto 1-10 en Canal 21)
	23	Velocidad Atenuador	000 ⇔ 009	Preconfigura la velocidad del atenuador desde la pantalla de menú
			010 ⇔ 029	Atenuador lineal
			030 ⇔ 069	Curva de atenuación no-lineal 1 (la más rápida)
			070 ⇔ 129	Curva de atenuación no-lineal 2
			130 ⇔ 189	Curva de atenuación no-lineal 3
		190 ⇔ 255	Curva de atenuación no-lineal 4 (la más lenta)	
	24	Zoom	000 ⇔ 255	0-100%
	25	Reinicio del Zoom	000 ⇔ 200	Sin función
			201 ⇔ 220	Reinicio del zoom
			221 ⇔ 255	Sin función

Selección de Pixel del COLORado 1-Quad Zoom Tour para Control DMX



TR16	Canal	Función	Valor	Percent/Porcentaje/Configuración
	1	Atenuador	000 ⇔ 255	0-100%
	2	Atenuador fino	000 ⇔ 255	Nítido control (16-bit) (Duración del Paso si Personalizado 1-10 está activo en Canal 13)
	3	Rojo	000 ⇔ 255	0-100% (Duración del Fade si Personalizado 1-10 está activo en Canal 13)
	4	Rojo nítido	000 ⇔ 255	Nítido control (16-bit)

TR16

Canal	Función	Valor	Percent/Porcentaje/Configuración
5	Verde	000 ⇄ 255	0-100%
6	Verde nítido	000 ⇄ 255	Nítido control (16-bit)
7	Azul	000 ⇄ 255	0-100%
8	Azul nítido	000 ⇄ 255	Nítido control (16-bit)
9	Blanco	000 ⇄ 255	0-100%
10	Blanco nítido	000 ⇄ 255	Nítido control (16-bit)
11	Macro de Color + Equilibrio de Blancos	000 ⇄ 010	Sin funcion
		011 ⇄ 030	R:100% V: 0-100% A: 0
		031 ⇄ 050	R:100%-0 V: 100% A: 0
		051 ⇄ 070	R:0 V: 100% A: 0-100%
		071 ⇄ 090	R:0 V: 100%-0 A: 100%
		091 ⇄ 110	R:0-100% V: 0 A: 100%
		111 ⇄ 130	R:100% V: 0 A: 100%-0
		131 ⇄ 150	R:100% V: 0-100% A: 0-100%
		151 ⇄ 170	R:100%-0 V: 100%-0 A: 100%
		171 ⇄ 200	RVAB: 100%
		201 ⇄ 205	Blanco 1
		206 ⇄ 210	Blanco 2
		211 ⇄ 215	Blanco 3
		216 ⇄ 220	Blanco 4
		221 ⇄ 225	Blanco 5
		226 ⇄ 230	Blanco 6
		231 ⇄ 235	Blanco 7
236 ⇄ 240	Blanco 8		
241 ⇄ 245	Blanco 9		
246 ⇄ 251	Blanco 10		
251 ⇄ 255	Blanco 11		
12	Estroboscopio	000 ⇄ 009	Sin funcion
		010 ⇄ 255	0-20 Hz
13	Programas	000 ⇄ 040	Sin funcion
		041 ⇄ 050	Auto 1
		051 ⇄ 060	Auto 2
		061 ⇄ 070	Auto 3
		071 ⇄ 080	Auto 4
		081 ⇄ 090	Auto 5
		091 ⇄ 100	Auto 6
		101 ⇄ 110	Auto 7
		111 ⇄ 120	Auto 8
		121 ⇄ 130	Auto 9
		131 ⇄ 140	Auto 10
		141 ⇄ 150	Personalizado 1
		151 ⇄ 160	Personalizado 2
		161 ⇄ 170	Personalizado 3
		171 ⇄ 180	Personalizado 4
		181 ⇄ 190	Personalizado 5
		191 ⇄ 200	Personalizado 6
201 ⇄ 210	Personalizado 7		
211 ⇄ 220	Personalizado 8		
221 ⇄ 230	Personalizado 9		
231 ⇄ 255	Personalizado 10		
14	Velocidad Automatica	000 ⇄ 255	0-100%% (solo cuando se usa Auto 1-10 en Canal 13)
15	Velocidad Atenuador	000 ⇄ 009	Preconfigura la velocidad del atenuador desde la pantalla de menú
		010 ⇄ 029	Atenuador lineal
		030 ⇄ 069	Curva de atenuación no-lineal 1 (la más rápida)
		070 ⇄ 129	Curva de atenuación no-lineal 2
		130 ⇄ 189	Curva de atenuación no-lineal 3
190 ⇄ 255	Curva de atenuación no-lineal 4 (la más lenta)		
16	Zoom	000 ⇄ 255	0-100%

TR16	Canal	Función	Valor	Percent/Porcentaje/Configuración
	17	Reinicio del Zoom	000 ⇔ 200 201 ⇔ 220 221 ⇔ 255	Sin funcion Reinicio del zoom Sin funcion

STD.Y	Canal	Función	Valor	Percent/Porcentaje/Configuración
	1	Atenuador	000 ⇔ 255	0-100%
	2	Atenuador fino	000 ⇔ 255	Nítido control (16-bit) (Duración del Paso si Personalizado 1-10 está activo en Canal 13)
	3	Rojo	000 ⇔ 255	0-100% (Duración del Fade si Personalizado 1-10 está activo en Canal 13)
	4	Rojo nítido	000 ⇔ 255	Nítido control (16-bit)
	5	Verde	000 ⇔ 255	0-100%
	6	Verde nítido	000 ⇔ 255	Nítido control (16-bit)
	7	Azul	000 ⇔ 255	0-100%
	8	Azul nítido	000 ⇔ 255	Nítido control (16-bit)
	9	Blanco	000 ⇔ 255	0-100%
	10	Blanco nítido	000 ⇔ 255	Nítido control (16-bit)
	11	Macro de Color + Equilibrio de Blancos	000 ⇔ 010 011 ⇔ 030 031 ⇔ 050 051 ⇔ 070 071 ⇔ 090 091 ⇔ 110 111 ⇔ 130 131 ⇔ 150 151 ⇔ 170 171 ⇔ 200 201 ⇔ 205 206 ⇔ 210 211 ⇔ 215 216 ⇔ 220 221 ⇔ 225 226 ⇔ 230 231 ⇔ 235 236 ⇔ 240 241 ⇔ 245 246 ⇔ 251 251 ⇔ 255	Sin funcion R:100% V: 0-100% A: 0 R:100%-0 V: 100% A: 0 R:0 V: 100% A: 0-100% R:0 V: 100%-0 A: 100% R:0-100% V: 0 A: 100% R:100% V: 0 A: 100%-0 R:100% V: 0-100% A: 0-100% R:100%-0 V: 100%-0 A: 100% RVAB: 100% Blanco 1 Blanco 2 Blanco 3 Blanco 4 Blanco 5 Blanco 6 Blanco 7 Blanco 8 Blanco 9 Blanco 10 Blanco 11
	12	Estroboscopio	000 ⇔ 009 010 ⇔ 255	Sin funcion 0-20 Hz



STD.Y	Canal	Función	Valor	Percent/Porcentaje/Configuración
13		Programas	000 ⇄ 040	Sin función
			041 ⇄ 050	Auto 1
			051 ⇄ 060	Auto 2
			061 ⇄ 070	Auto 3
			071 ⇄ 080	Auto 4
			081 ⇄ 090	Auto 5
			091 ⇄ 100	Auto 6
			101 ⇄ 110	Auto 7
			111 ⇄ 120	Auto 8
			121 ⇄ 130	Auto 9
			131 ⇄ 140	Auto 10
			141 ⇄ 150	Personalizado 1
			151 ⇄ 160	Personalizado 2
			161 ⇄ 170	Personalizado 3
			171 ⇄ 180	Personalizado 4
			181 ⇄ 190	Personalizado 5
			191 ⇄ 200	Personalizado 6
201 ⇄ 210	Personalizado 7			
211 ⇄ 220	Personalizado 8			
221 ⇄ 230	Personalizado 9			
231 ⇄ 255	Personalizado 10			
14	Velocidad Automática		000 ⇄ 255	0-100%% (solo cuando se usa Auto 1-10 en Canal 13)
15	Velocidad Atenuador		000 ⇄ 009	Preconfigura la velocidad del atenuador desde la pantalla de menú
			010 ⇄ 029	Atenuador lineal
			030 ⇄ 069	Curva de atenuación no-lineal 1 (la más rápida)
			070 ⇄ 129	Curva de atenuación no-lineal 2
			130 ⇄ 189	Curva de atenuación no-lineal 3
		190 ⇄ 255	Curva de atenuación no-lineal 4 (la más lenta)	
16	Zoom		000 ⇄ 255	0-100%
17	Reinicio del Zoom		000 ⇄ 200	Sin función
			201 ⇄ 220	Reinicio del zoom
			221 ⇄ 255	Sin función

TOUR	Canal	Función	Valor	Percent/Porcentaje/Configuración
	1	Atenuador	000 ⇄ 255	0-100%
	2	Rojo	000 ⇄ 255	0-100% (Duración del Paso si Personalizado 1-10 está activo en Canal 8)
	3	Verde	000 ⇄ 255	0-100% (Duración del Fade si Personalizado 1-10 está activo en Canal 8)
	4	Azul	000 ⇄ 255	0-100%
	5	Blanco	000 ⇄ 255	0-100%

TOUR	Canal	Función	Valor	Percent/Porcentaje/Configuración
6		<b>Macro de Color + Equilibrio de Blancos</b>	000 ⇔ 010	Sin función
			011 ⇔ 030	R:100% V: 0-100% A: 0
			031 ⇔ 050	R:100%-0 V: 100% A: 0
			051 ⇔ 070	R:0 V: 100% A: 0-100%
			071 ⇔ 090	R:0 V: 100%-0 A: 100%
			091 ⇔ 110	R:0-100% V: 0 A: 100%
			111 ⇔ 130	R:100% V: 0 A: 100%-0
			131 ⇔ 150	R:100% V: 0-100% A: 0-100%
			151 ⇔ 170	R:100%-0 V: 100%-0 A: 100%
			171 ⇔ 200	RVAB: 100%
			201 ⇔ 205	Blanco 1
			206 ⇔ 210	Blanco 2
			211 ⇔ 215	Blanco 3
			216 ⇔ 220	Blanco 4
			221 ⇔ 225	Blanco 5
			226 ⇔ 230	Blanco 6
			231 ⇔ 235	Blanco 7
236 ⇔ 240	Blanco 8			
241 ⇔ 245	Blanco 9			
246 ⇔ 251	Blanco 10			
251 ⇔ 255	Blanco 11			
7		<b>Estroboscopio</b>	000 ⇔ 009 010 ⇔ 255	Sin función 0-20 Hz
8		<b>Programas</b>	000 ⇔ 040	Sin función
			041 ⇔ 050	Auto 1
			051 ⇔ 060	Auto 2
			061 ⇔ 070	Auto 3
			071 ⇔ 080	Auto 4
			081 ⇔ 090	Auto 5
			091 ⇔ 100	Auto 6
			101 ⇔ 110	Auto 7
			111 ⇔ 120	Auto 8
			121 ⇔ 130	Auto 9
			131 ⇔ 140	Auto 10
			141 ⇔ 150	Personalizado 1
			151 ⇔ 160	Personalizado 2
			161 ⇔ 170	Personalizado 3
			171 ⇔ 180	Personalizado 4
			181 ⇔ 190	Personalizado 5
			191 ⇔ 200	Personalizado 6
201 ⇔ 210	Personalizado 7			
211 ⇔ 220	Personalizado 8			
221 ⇔ 230	Personalizado 9			
231 ⇔ 255	Personalizado 10			
9		<b>Velocidad Automatica</b>	000 ⇔ 255	0-100%% (solo cuando se usa Auto 1-10 en Canal 8)
10		<b>Velocidad Atenuador</b>	000 ⇔ 009	Preconfigura la velocidad del atenuador desde la pantalla de menú
			010 ⇔ 029	Atenuador lineal
			030 ⇔ 069	Curva de atenuación no-lineal 1 (la más rápida)
			070 ⇔ 129	Curva de atenuación no-lineal 2
			130 ⇔ 189	Curva de atenuación no-lineal 3
190 ⇔ 255	Curva de atenuación no-lineal 4 (la más lenta)			
11		<b>Zoom</b>	000 ⇔ 255	0-100%
12		<b>Reinicio del Zoom</b>	000 ⇔ 200	Sin función
			201 ⇔ 220	Reinicio del zoom
			221 ⇔ 255	Sin función

C1Q	Canal	Función	Valor	Percent/Porcentaje/Configuración
	1	Atenuador	000 ⇄ 255	0-100%
	2	Rojo	000 ⇄ 255	0-100% (Duración del Paso si Personalizado 1-10 está activo en Canal 8)
	3	Verde	000 ⇄ 255	0-100% (Duración del Fade si Personalizado 1-10 está activo en Canal 8)
	4	Azul	000 ⇄ 255	0-100%
	5	Blanco	000 ⇄ 255	0-100%
	6	Macro de Color + Equilibrio de Blancos	000 ⇄ 010 011 ⇄ 030 031 ⇄ 050 051 ⇄ 070 071 ⇄ 090 091 ⇄ 110 111 ⇄ 130 131 ⇄ 150 151 ⇄ 170 171 ⇄ 200 201 ⇄ 205 206 ⇄ 210 211 ⇄ 215 216 ⇄ 220 221 ⇄ 225 226 ⇄ 230 231 ⇄ 235 236 ⇄ 240 241 ⇄ 245 246 ⇄ 251 251 ⇄ 255	Sin función R:100% V: 0-100% A: 0 R:100%-0 V: 100% A: 0 R:0 V: 100% A: 0-100% R:0 V: 100%-0 A: 100% R:0-100% V: 0 A: 100% R:100% V: 0 A: 100%-0 R:100% V: 0-100% A: 0-100% R:100%-0 V: 100%-0 A: 100% RVAB: 100% Blanco 1 Blanco 2 Blanco 3 Blanco 4 Blanco 5 Blanco 6 Blanco 7 Blanco 8 Blanco 9 Blanco 10 Blanco 11
	7	Estroboscopio	000 ⇄ 009 010 ⇄ 255	Sin función 0-20 Hz
	8	Programas	000 ⇄ 040 041 ⇄ 050 051 ⇄ 060 061 ⇄ 070 071 ⇄ 080 081 ⇄ 090 091 ⇄ 100 101 ⇄ 110 111 ⇄ 120 121 ⇄ 130 131 ⇄ 140 141 ⇄ 150 151 ⇄ 160 161 ⇄ 170 171 ⇄ 180 181 ⇄ 190 191 ⇄ 200 201 ⇄ 210 211 ⇄ 220 221 ⇄ 230 231 ⇄ 255	Sin función Auto 1 Auto 2 Auto 3 Auto 4 Auto 5 Auto 6 Auto 7 Auto 8 Auto 9 Auto 10 Personalizado 1 Personalizado 2 Personalizado 3 Personalizado 4 Personalizado 5 Personalizado 6 Personalizado 7 Personalizado 8 Personalizado 9 Personalizado 10
	9	Velocidad Automática	000 ⇄ 255	0-100%% (solo cuando se usa Auto 1-10 en Canal 21)
	10	Velocidad Atenuador	000 ⇄ 009 010 ⇄ 029 030 ⇄ 069 070 ⇄ 129 130 ⇄ 189 190 ⇄ 255	Preconfigura la velocidad del atenuador desde la pantalla de menú Atenuador lineal Curva de atenuación no-lineal 1 (la más rápida) Curva de atenuación no-lineal 2 Curva de atenuación no-lineal 3 Curva de atenuación no-lineal 4 (la más lenta)

AR2.Z	Canal	Función	Valor	Percent/Porcentaje/Configuración
	1	Atenuador	000 ⇔ 255	0-100%
	2	Rojo	000 ⇔ 255	0-100%
	3	Verde	000 ⇔ 255	0-100%
	4	Azul	000 ⇔ 255	0-100%
	5	Blanco	000 ⇔ 255	0-100%
	6	Zoom	000 ⇔ 255	0-100%
	7	Reinicio del Zoom	000 ⇔ 200 201 ⇔ 220 221 ⇔ 255	Sin funcion Reinicio del zoom Sin funcion

AR2.S	Canal	Función	Valor	Percent/Porcentaje/Configuración
	1	Atenuador	000 ⇔ 255	0-100%
	2	Rojo	000 ⇔ 255	0-100%
	3	Verde	000 ⇔ 255	0-100%
	4	Azul	000 ⇔ 255	0-100%
	5	Blanco	000 ⇔ 255	0-100%
	6	Estroboscopio	000 ⇔ 009 010 ⇔ 255	Sin funcion 0-20 Hz

AR2.D	Canal	Función	Valor	Percent/Porcentaje/Configuración
	1	Atenuador	000 ⇔ 255	0-100%
	2	Rojo	000 ⇔ 255	0-100%
	3	Verde	000 ⇔ 255	0-100%
	4	Azul	000 ⇔ 255	0-100%
	5	Blanco	000 ⇔ 255	0-100%

ARC.2	Canal	Función	Valor	Percent/Porcentaje/Configuración
	1	Rojo	000 ⇔ 255	0-100%
	2	Verde	000 ⇔ 255	0-100%
	3	Azul	000 ⇔ 255	0-100%
	4	Blanco	000 ⇔ 255	0-100%

AR1.D	Canal	Función	Valor	Percent/Porcentaje/Configuración
	1	Atenuador	000 ⇔ 255	0-100%
	2	Rojo	000 ⇔ 255	0-100%
	3	Verde	000 ⇔ 255	0-100%
	4	Azul	000 ⇔ 255	0-100%

ARC.1	Canal	Función	Valor	Percent/Porcentaje/Configuración
	1	Rojo	000 ⇔ 255	0-100%
	2	Verde	000 ⇔ 255	0-100%
	3	Azul	000 ⇔ 255	0-100%

HSV	Canal	Función	Valor	Percent/Porcentaje/Configuración
	1	Tono	000 ⇔ 255	0-100%
	2	Saturacion	000 ⇔ 255	0-100%
	3	Valor	000 ⇔ 255	0-100%

## À Propos de ce Manuel

Le Manuel de Référence du Colorado 1 Quad Zoom (MR) reprend des informations de base sur cet appareil notamment en matière de connexions, montage, options de menu et valeurs DMX. Télécharger le Manuel d'Utilisation sur [www.chauvetprofessional.com](http://www.chauvetprofessional.com) pour de plus amples informations.

## Clause de Non-Responsabilité

Les informations et caractéristiques contenues dans ce manuel sont sujettes à changement sans préavis.

## Consignes de Sécurité

- N'ouvrez PAS cet appareil. Il ne contient aucun composant susceptible d'être réparé par l'utilisateur.
- Durant les périodes de non-utilisation, pour éviter toute usure inutile et pour prolonger la durée de vie, déconnectez entièrement l'appareil en le débranchant de l'alimentation électrique ou en coupant le disjoncteur.
- Ne regardez PAS la source lumineuse lorsque l'appareil fonctionne.
- ATTENTION: le boîtier de cet appareil est brûlant lors du fonctionnement.
- Montez toujours cet appareil dans un endroit bien ventilé, à au moins, 20 pouces (50 cm) des surfaces adjacentes.
- Ne laissez AUCUNE source inflammable dans un rayon de 50 cm de l'appareil lorsque celui-ci fonctionne.
- Attention : Lorsque l'appareil est transféré d'un environnement à température extrême à un autre (par exemple d'un camion froid vers une salle de bal chaude et humide), de la condensation peut se former sur les composants électriques internes. Pour éviter de causer des dommages, laissez l'appareil s'acclimater entièrement au milieu environnant avant de le mettre sous tension.
- Ne convient pas aux installations permanentes en extérieur sur des sites sujets à des conditions environnementales extrêmes. Cela inclut par exemple :
  - L'exposition à un environnement marin ou à une solution saline (à moins de 4,8 kilomètres d'un corps d'eau salée).
  - Lorsque les températures moyennes hautes ou basses du site dépassent les plages de températures indiquées dans ce manuel.
  - Les sites qui sont sujets aux inondations ou qui présentent un risque d'être ensevelis sous la neige.
  - Tout autre endroit où le produit risque d'être soumis à des rayonnements extrêmes ou à des substances caustiques.
  - Lors de l'utilisation de cet appareil dans un environnement extérieur de type IP65, assurez-vous d'utiliser des câbles de données et d'alimentation certifiés IP65 (ou mieux), de protéger les ports non utilisés avec les couvercles IP65 inclus et de fixer la plaque de présentation sur le panneau de commande.
- Utilisez TOUJOURS un câble de sécurité lorsque vous montez cet appareil en hauteur.
- N'immergez PAS ce produit (IP 65). Un usage normal en extérieur est autorisé.
- N'utilisez PAS cet appareil si le boîtier, les lentilles ou les câbles vous semblent endommagés.
- Ne connectez PAS cet appareil ni à un gradateur ni à un rhéostat.
- Connectez UNIQUEMENT cet appareil à un circuit protégé et relié à la terre.
- Transportez/Suspendez cet appareil UNIQUEMENT par le support de montage dont il est doté.
- En cas de sérieux problèmes de fonctionnement, arrêtez le système immédiatement.
- La température ambiante maximale supportée par cet appareil est de 113 °F (45 °C). Ne le faites pas fonctionner à des températures plus élevées.

## Contact

En dehors des États-Unis, du Royaume-Uni, de l'Irlande, du Mexique, et du Benelux, contactez votre fournisseur si vous avez besoin d'assistance ou de retourner votre appareil. Consultez le site [Contact Us](#) pour trouver nos coordonnées.

## Ce Qui est Inclus

- Colorado 1 Quad Zoom
- Seetronic Powerkon IP65 cordon d'alimentation
- Gélatine
- Support de Gélatine (accessoires 7,5 pouces/191 mm)
- Fiche de Garantie
- Manuel de Référence

## Alimentation CA

Cet appareil est doté d'une alimentation universelle prenant en charge toute tension d'entrée comprise entre 100 et 240 VCA, 50/60 Hz.

## Connexion Électrique

Vous pouvez connecter entre eux jusqu'à 12 Colorado 1 Quad Zoom à 120 V, ou 23 unités à 230 V. Ne dépassez jamais cette limite. Vous pouvez vous procurer séparément des cordons d'alimentation.

**Prise CA**

Connexion	Câble (États-Unis)	Câble (Europe)	Couleur de la vis
Conducteur CA	Noir	Marron	Jaune/Cuivré
Neutre CA	Blanc	Bleu	Argenté
Terre CA	Vert/Jaune	Vert/Jaune	Vert



- **Durant les périodes de non-utilisation, pour éviter tout usure inutile et pour prolonger la durée de vie, déconnectez-entièrement l'appareil en le débranchant de l'alimentation électrique ou en coupant le disjoncteur.**
- **Lors de l'utilisation de cet appareil en environnement extérieur, utilisez des câbles de d'alimentation et de données certifiés IP65 au minimum. Assurez-vous de protéger les ports d'alimentation et de données non utilisés avec les couvercles IP 65 fournis.**

**Raccordement DMX**

Le Colorado 1 Quad Zoom fonctionnera avec un jeu d'orgues DMX au moyen de connexions DMX en série standard. Une introduction au DMX est à votre disposition sur [www.chauvetprofessional.com](http://www.chauvetprofessional.com).

**Connexion DMX**

Le Colorado 1 Quad Zoom utilise une connexion de données DMX standard pour ses personnalités DMX: **TOUR, TR16, FULL, ARC.1, AR1.D, ARC.2, AR2.D, C1Q, STD.Y, AR2.S, AR2.Z**, et **HSV**. Consultez le Manuel d'Utilisation pour connecter et configurer le système DMX.



**Lors de l'utilisation de cet appareil dans un environnement extérieur de type IP65, assurez-vous d'utiliser des câbles certifiés IP65 (ou mieux) et de protéger les ports non utilisés avec les couvercles IP65 inclus.**



**La personnalité C1Q a été conçue pour être utilisée avec la gamme COLORado 1-Quad. Dans cette personnalité, le zoom est verrouillé pour correspondre aux angles de faisceau et de champs de la gamme COLORado 1-Quad.**

**Pour une commande optimale des canaux de gradation 16 bits dans les personnalités STD.Y et TR16, veillez à ce que les deux courbes de gradation dans SETTING > DIMMER soient sur OFF.**

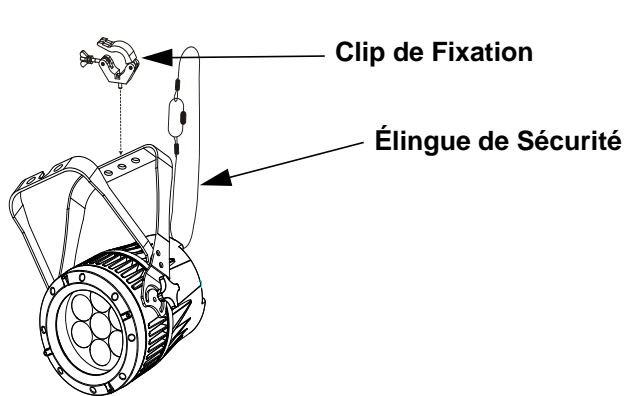
**Connexion Maître/ Esclave**

Le Colorado 1 Quad Zoom utilise une connexion de données DMX pour son mode Maître/Esclave. Consultez le Manuel d'Utilisation pour connecter et configurer le mode de fonctionnement Maître/Esclave.

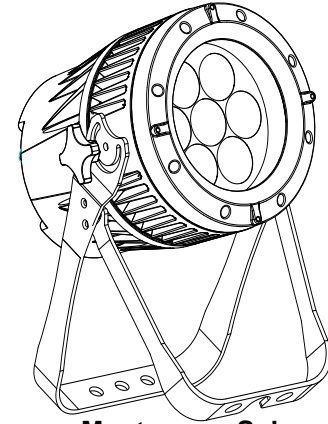
## Installation

Avant de monter cet appareil, lisez et assimilez les [Consignes de Sécurité](#). Use at least one mounting point per product. Make sure the mounting clamps are capable of supporting the weight of the product. For our Chauvet line of mounting clamps, go to <http://trusst.com/productcategory/truss-clamps/>

### Schéma de Montage de l'Appareil



Montage en Hauteur



Montage au Sol

## Description du Tableau de Commandes

Bouton	Fonction
<MENU>	Permet la sortie du menu ou de la fonction en cours
<ENTER>	Permet l'affichage du menu en cours ou permet de configurer la valeur en cours dans la fonction sélectionnée
<UP>	Permet de parcourir les listes ou les menus vers le haut, dans une fonction permet d'augmenter les valeurs numériques
<DOWN>	Permet de parcourir les listes ou les menus vers le bas, dans une fonction permet de diminuer les valeurs numériques

## Code d'accès

Une fois affiché, saisissez le code d'accès suivant comme suit:

<UP>, <DOWN>, <UP>, <DOWN>, <ENTER>

Ce code ne peut pas être modifié et doit être saisi sur demande.

## Tableau de Menu

Niveau Principal	Niveaux de Programmation			Description
STAT	RED	R.	0-255	Combine les couleurs rouge, vert, bleu et blanc pour un resultat personnalise (0-100%)
	GREEN	G.		
	BLUE	B.		
	WHITE	W.		
	ZOOM	Z.		
	STROBE	S.	0-20	Selectionne la frequence du stroboscope (0-20 Hz)
AUTO	AT. 1-10		P. 0-255	10 programmes automatiques
	PR 1-10			10 programmes - personnaliser
RUN	DMX			Mode DMX
	SLAVE			Mode esclave
ADDR	D. 001-512			Selectionne l'adresse DMX de depart



Niveau Principal	Niveaux de Programmation			Description	
PERS	<b>FULL</b>			25-canaux: RVBb 16 bit Commande de pixels et gradateur; stroboscope, macro de couleurs, effet d'anneau, vitesse gradateur, vitesse auto, zoom, réinit. du zoom	
	<b>TR16</b>			17-canaux: RVBb 16 bit, gradateur, stroboscope, macro de couleurs, effet d'anneau, vitesse gradateur, vitesse auto, zoom, réinit. du zoom	
	<b>STD.Y</b>			17-canaux: RVBb 16 bit, gradateur, stroboscope, macro de couleurs, effet d'anneau, vitesse gradateur, vitesse auto, zoom, réinit. du zoom	
	<b>TOUR</b>			12-canaux: RVBb, gradateur, stroboscope, macro de couleurs, auto/perso, vitesse gradateur, vitesse auto, zoom, réinit. du zoom	
	<b>C1Q**</b>			10-canaux: RVBb, gradateur, stroboscope, macro de couleurs, auto/perso, vitesse gradateur, vitesse auto **	
	<b>AR2.Z</b>			7-canaux: RVBb, gradateur, zoom, réinit. du zoom	
	<b>AR2.S</b>			6-canaux: RVBb, gradateur, stroboscope	
	<b>AR2.D</b>			5-canaux: RVBb, gradateur	
	<b>ARC.2</b>			4-canaux: Commande RVBb	
	<b>AR1.D</b>			4-canaux: RVB, gradateur	
<b>ARC.1</b>			3-canaux: Commande RVB		
<b>HSV.</b>			3-canaux: Commande HSV		
EDIT	<b>PR. 1-10</b>	<b>SC.01-30</b>	<b>RED GREN BLUE WHIT</b>	<b>0-255</b>	Combine rouge, vert, bleu et blanc afin de créer une couleur personnalisée (0-100%)
			<b>ZOOM</b>		Sélection de l'angle du faisceau (zoom)
			<b>STRB</b>	<b>0-20</b>	Permet la sélection de la fréquence du stroboscope (0-20 Hz)
			<b>TIME</b>	<b>0-255</b>	Définit la durée de pas (lent a rapide)
			<b>FADE</b>		Définit la durée du fondu (lent a rapide)

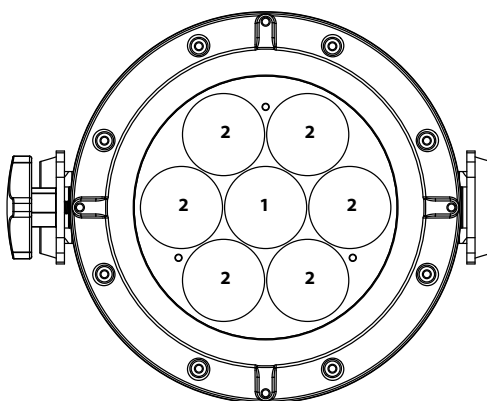
Niveau Principal	Niveaux de Programmation				Description	
SET	**** (Saisir le code d'accès)	UPLD	**** (Saisir le code d'accès)	SEND	Télécharge les programmes personnalisés sur d'autres COLORado 1-Quad Zoom	
				OFF ON	Active ou désactive le code d'accès	
		REST	**** (Saisir le code d'accès)		Retour aux réglages d'usine par défaut	
		COLR		OFF	RVB configuré sur 255 = sortie max.	
				RGBW	RVB configuré sur 255 = balance des blancs	
				UC.	Balance des couleurs universelle	
		DIMX		OFF	Pas de gradateur	
				DIM1	Profils de gradation de DIM1 (rapide) à DIM4 (lent)	
				DIM2		
				DIM3		
				DIM4		
		CURV		OFF	Pas de gradateur	
				CV1	Courbes de gradation de CV1 (rapide) à CV3 (lent)	
				CV2		
				CV3		
		DERR		SAVE	En cas de perte de commande DMX, la dernière commande se maintiendra	
BLACK	Met l'unité en noir général en cas de perte de signal DMX					
SLCK		OFF	Verrouillage de l'accès au niveau principal			
		ON				
ZOOM		BASE	Définit la position par défaut du zoom (mouvement intégral)			
		POS1	Définit la configuration de la position 1 de limite du zoom			
		POS2	Définit la configuration de la position 2 de limite du zoom			
CAL	**** (Saisir le code d'accès)	CAL1	WH. 01-11	RED	0-255	
				GREEN		
		CAL2		BLUE		Définit la température de la couleur utilisée quand COLR est configuré sur RGBW
				WHITE		
				RED		
		CALR		GREEN		Retour aux CAL réglages d'usine par défaut
BLUE						
ZOOM		**** (Saisir le code d'accès)	P. 0-255	Définir position mini/maxi du zoom		
		POS.1 POS.2				

**\*\*Zoom verrouillé pour correspondre aux angles de faisceau et de champs de la gamme COLORado 1-Quad.**

Valeurs DMX

FULL	Canal	Fonction	Valeur	Pourcentage/Configuration
	1	Gradateur	000 ⇔ 255	0-100%
	2	Gradateur fin	000 ⇔ 255	Contrôle précis (16-bit) (Duree de Pas si Personnalisé 1-10 est active dans Canal 21)
	3	Rouge 1	000 ⇔ 255	0-100% (Duree du Fond si Personnalisé 1-10 est active dans Canal 21)
	4	Rouge 1 fin	000 ⇔ 255	Contrôle précis (16-bit)
	5	Vert 1	000 ⇔ 255	0-100%
	6	Vert 1 fin	000 ⇔ 255	Contrôle précis (16-bit)
	7	Bleu 1	000 ⇔ 255	0-100%
	8	Bleu 1 fin	000 ⇔ 255	Contrôle précis (16-bit)
	9	Blanc 1	000 ⇔ 255	0-100%
	10	Blanc 1 fin	000 ⇔ 255	Contrôle précis (16-bit)
	11	Rouge 2	000 ⇔ 255	0-100%
	12	Rouge 2 fin	000 ⇔ 255	Contrôle précis (16-bit)
	13	Vert 2	000 ⇔ 255	0-100%
	14	Vert 2 fin	000 ⇔ 255	Contrôle précis (16-bit)
	15	Bleu 2	000 ⇔ 255	0-100%
	16	Bleu 2 fin	000 ⇔ 255	Contrôle précis (16-bit)
	17	Blanc 2	000 ⇔ 255	0-100%
	18	Blanc 2 fin	000 ⇔ 255	Contrôle précis (16-bit)
	19	Macros de Couleurs + Balance des Blancs	000 ⇔ 010	Pas de fonction
			011 ⇔ 030	R:100% V: 0-100% B: 0
			031 ⇔ 050	R:100%-0 V: 100% B: 0
			051 ⇔ 070	R:0 V: 100% B: 0-100%
			071 ⇔ 090	R:0 V: 100%-0 B: 100%
			091 ⇔ 110	R:0-100% V: 0 B: 100%
			111 ⇔ 130	R:100% V: 0 B: 100%-0
			131 ⇔ 150	R:100% V: 0-100% B: 0-100%
			151 ⇔ 170	R:100%-0 V: 100%-0 B: 100%
			171 ⇔ 200	RVBb: 100%
			201 ⇔ 205	Blanc 1
			206 ⇔ 210	Blanc 2
			211 ⇔ 215	Blanc 3
			216 ⇔ 220	Blanc 4
	221 ⇔ 225	Blanc 5		
	226 ⇔ 230	Blanc 6		
	231 ⇔ 235	Blanc 7		
	236 ⇔ 240	Blanc 8		
	241 ⇔ 245	Blanc 9		
	246 ⇔ 251	Blanc 10		
	251 ⇔ 255	Blanc 11		
	20	Stroboscope	000 ⇔ 009 010 ⇔ 255	Pas de fonction 0-20 Hz

FULL	Canal	Fonction	Valeur	Pourcentage/Configuration
	<b>21</b>	<b>Programmes</b>	000 ⇄ 040	Pas de fonction
			041 ⇄ 050	Auto 1
			051 ⇄ 060	Auto 2
			061 ⇄ 070	Auto 3
			071 ⇄ 080	Auto 4
			081 ⇄ 090	Auto 5
			091 ⇄ 100	Auto 6
			101 ⇄ 110	Auto 7
			111 ⇄ 120	Auto 8
			121 ⇄ 130	Auto 9
			131 ⇄ 140	Auto 10
			141 ⇄ 150	Personnalisé 1
			151 ⇄ 160	Personnalisé 2
			161 ⇄ 170	Personnalisé 3
			171 ⇄ 180	Personnalisé 4
			181 ⇄ 190	Personnalisé 5
	191 ⇄ 200	Personnalisé 6		
	201 ⇄ 210	Personnalisé 7		
	211 ⇄ 220	Personnalisé 8		
	221 ⇄ 230	Personnalisé 9		
	231 ⇄ 255	Personnalisé 10		
	<b>22</b>	<b>Vitesse Auto</b>	000 ⇄ 255	0-100% (seulement en utilisation avec Auto 1-10 dans Canal 21)
	<b>23</b>	<b>Vitesse du Gradateur</b>	000 ⇄ 009	Vitesse du gradateur prédéfinie depuis le menu Gradateur linéaire
			010 ⇄ 029	Courbe de gradation non linéaire 1 (la plus rapide)
			030 ⇄ 069	Courbe de gradation non linéaire 2
			070 ⇄ 129	Courbe de gradation non linéaire 3
			130 ⇄ 189	Courbe de gradation non linéaire 4 (la moins rapide)
	190 ⇄ 255			
	<b>24</b>	<b>Zoom</b>	000 ⇄ 255	0-100%
	<b>25</b>	<b>Reinitialisation du Zoom</b>	000 ⇄ 200	Pas de fonction
			201 ⇄ 220	Réinitialisation du zoom
			221 ⇄ 255	Pas de fonction

**Selection de Pixels pour le Controle DMX du COLORado 1-Quad Zoom Tour**


TR16	Canal	Fonction	Valeur	Pourcentage/Configuration
	<b>1</b>	<b>Gradateur</b>	000 ⇄ 255	0-100%
	<b>2</b>	<b>Gradateur fin</b>	000 ⇄ 255	Controle précis (16-bit) (Duree de Pas si Personnalisé 1-10 est active dans Canal 13)
	<b>3</b>	<b>Rouge</b>	000 ⇄ 255	0-100% (Duree du Fond si Personnalisé 1-10 est active dans Canal 13)
	<b>4</b>	<b>Rouge fin</b>	000 ⇄ 255	Controle précis (16-bit)

TR16

Canal	Fonction	Valeur	Pourcentage/Configuration
5	Vert	000 ⇔ 255	0-100%
6	Vert fin	000 ⇔ 255	Contrôle précis (16-bit)
7	Bleu	000 ⇔ 255	0-100%
8	Bleu fin	000 ⇔ 255	Contrôle précis (16-bit)
9	Blanc	000 ⇔ 255	0-100%
10	Blanc fin	000 ⇔ 255	Contrôle précis (16-bit)
11	Macros de Couleurs + Balance des Blancs	000 ⇔ 010	Pas de fonction
		011 ⇔ 030	R:100% V: 0-100% B: 0
		031 ⇔ 050	R:100%-0 V: 100% B: 0
		051 ⇔ 070	R:0 V: 100% B: 0-100%
		071 ⇔ 090	R:0 V: 100%-0 B: 100%
		091 ⇔ 110	R:0-100% V: 0 B: 100%
		111 ⇔ 130	R:100% V: 0 B: 100%-0
		131 ⇔ 150	R:100% V: 0-100% B: 0-100%
		151 ⇔ 170	R:100%-0 V: 100%-0 B: 100%
		171 ⇔ 200	RVBb: 100%
		201 ⇔ 205	Blanc 1
		206 ⇔ 210	Blanc 2
		211 ⇔ 215	Blanc 3
		216 ⇔ 220	Blanc 4
		221 ⇔ 225	Blanc 5
		226 ⇔ 230	Blanc 6
		231 ⇔ 235	Blanc 7
236 ⇔ 240	Blanc 8		
241 ⇔ 245	Blanc 9		
246 ⇔ 251	Blanc 10		
251 ⇔ 255	Blanc 11		
12	Stroboscope	000 ⇔ 009	Pas de fonction
		010 ⇔ 255	0-20 Hz
13	Programmes	000 ⇔ 040	Pas de fonction
		041 ⇔ 050	Auto 1
		051 ⇔ 060	Auto 2
		061 ⇔ 070	Auto 3
		071 ⇔ 080	Auto 4
		081 ⇔ 090	Auto 5
		091 ⇔ 100	Auto 6
		101 ⇔ 110	Auto 7
		111 ⇔ 120	Auto 8
		121 ⇔ 130	Auto 9
		131 ⇔ 140	Auto 10
		141 ⇔ 150	Personnalisé 1
		151 ⇔ 160	Personnalisé 2
		161 ⇔ 170	Personnalisé 3
		171 ⇔ 180	Personnalisé 4
		181 ⇔ 190	Personnalisé 5
		191 ⇔ 200	Personnalisé 6
201 ⇔ 210	Personnalisé 7		
211 ⇔ 220	Personnalisé 8		
221 ⇔ 230	Personnalisé 9		
231 ⇔ 255	Personnalisé 10		
14	Vitesse Auto	000 ⇔ 255	0-100% (seulement en utilisation avec Auto 1-10 dans Canal 21)
15	Vitesse du Gradateur	000 ⇔ 009	Vitesse du gradateur prédéfinie depuis le menu Gradateur linéaire
		010 ⇔ 029	Courbe de gradation non linéaire 1 (la plus rapide)
		030 ⇔ 069	Courbe de gradation non linéaire 2 (la plus rapide)
		070 ⇔ 129	Courbe de gradation non linéaire 3
		130 ⇔ 189	Courbe de gradation non linéaire 4 (la moins rapide)
190 ⇔ 255			
16	Zoom	000 ⇔ 255	0-100%

TR16	Canal	Fonction	Valeur	Pourcentage/Configuration
	17	Reinitialisation du Zoom	000 ⇄ 200 201 ⇄ 220 221 ⇄ 255	Pas de fonction Réinitialisation du zoom Pas de fonction

STD.Y	Canal	Fonction	Valeur	Pourcentage/Configuration
	1	Gradateur	000 ⇄ 255	0-100%
	2	Gradateur fin	000 ⇄ 255	Contrôle précis (16-bit) (Durée de Pas si Personnalisé 1-10 est active dans Canal 13)
	3	Rouge	000 ⇄ 255	0-100% (Durée du Fond si Personnalisé 1-10 est active dans Canal 13)
	4	Rouge fin	000 ⇄ 255	Contrôle précis (16-bit)
	5	Vert	000 ⇄ 255	0-100%
	6	Vert fin	000 ⇄ 255	Contrôle précis (16-bit)
	7	Bleu	000 ⇄ 255	0-100%
	8	Bleu fin	000 ⇄ 255	Contrôle précis (16-bit)
	9	Blanc	000 ⇄ 255	0-100%
	10	Blanc fin	000 ⇄ 255	Contrôle précis (16-bit)
	11	Macros de Couleurs + Balance des Blancs	000 ⇄ 010 011 ⇄ 030 031 ⇄ 050 051 ⇄ 070 071 ⇄ 090 091 ⇄ 110 111 ⇄ 130 131 ⇄ 150 151 ⇄ 170 171 ⇄ 200 201 ⇄ 205 206 ⇄ 210 211 ⇄ 215 216 ⇄ 220 221 ⇄ 225 226 ⇄ 230 231 ⇄ 235 236 ⇄ 240 241 ⇄ 245 246 ⇄ 251 251 ⇄ 255	Pas de fonction R:100% V: 0-100% B: 0 R:100%-0 V: 100% B: 0 R:0 V: 100% B: 0-100% R:0 V: 100%-0 B: 100% R:0-100% V: 0 B: 100% R:100% V: 0 B: 100%-0 R:100% V: 0-100% B: 0-100% R:100%-0 V: 100%-0 B: 100% RVBb: 100% Blanc 1 Blanc 2 Blanc 3 Blanc 4 Blanc 5 Blanc 6 Blanc 7 Blanc 8 Blanc 9 Blanc 10 Blanc 11
	12	Stroboscope	000 ⇄ 009 010 ⇄ 255	Pas de fonction 0-20 Hz
	13	Programmes	000 ⇄ 040 041 ⇄ 050 051 ⇄ 060 061 ⇄ 070 071 ⇄ 080 081 ⇄ 090 091 ⇄ 100 101 ⇄ 110 111 ⇄ 120 121 ⇄ 130 131 ⇄ 140 141 ⇄ 150 151 ⇄ 160 161 ⇄ 170 171 ⇄ 180 181 ⇄ 190 191 ⇄ 200 201 ⇄ 210 211 ⇄ 220 221 ⇄ 230 231 ⇄ 255	Pas de fonction Auto 1 Auto 2 Auto 3 Auto 4 Auto 5 Auto 6 Auto 7 Auto 8 Auto 9 Auto 10 Personnalisé 1 Personnalisé 2 Personnalisé 3 Personnalisé 4 Personnalisé 5 Personnalisé 6 Personnalisé 7 Personnalisé 8 Personnalisé 9 Personnalisé 10

STD.Y	Canal	Fonction	Valeur	Pourcentage/Configuration
	14	Vitesse Auto	000 ⇔ 255	0-100% (seulement en utilisation avec Auto 1-10 dans Canal 13)
	15	Vitesse du Gradateur	000 ⇔ 009 010 ⇔ 029 030 ⇔ 069 070 ⇔ 129 130 ⇔ 189 190 ⇔ 255	Vitesse du gradateur prédéfinie depuis le menu Gradateur linéaire Courbe de gradation non linéaire 1 (la plus rapide) Courbe de gradation non linéaire 2 Courbe de gradation non linéaire 3 Courbe de gradation non linéaire 4 (la moins rapide)
	16	Zoom	000 ⇔ 255	0-100%
	17	Reinitialisation du Zoom	000 ⇔ 200 201 ⇔ 220 221 ⇔ 255	Pas de fonction Réinitialisation du zoom Pas de fonction

TOUR	Canal	Fonction	Valeur	Pourcentage/Configuration
	1	Gradateur	000 ⇔ 255	0-100%
	2	Rouge	000 ⇔ 255	Controle précis (16-bit) (Duree de Pas si Personnalisé 1-10 est active dans Canal 8)
	3	Vert	000 ⇔ 255	0-100% (Duree du Fond si Personnalisé 1-10 est active dans Canal 8)
	4	Bleu	000 ⇔ 255	0-100%
	5	Blanc	000 ⇔ 255	0-100%
	6	Macros de Couleurs + Balance des Blancs	000 ⇔ 010 011 ⇔ 030 031 ⇔ 050 051 ⇔ 070 071 ⇔ 090 091 ⇔ 110 111 ⇔ 130 131 ⇔ 150 151 ⇔ 170 171 ⇔ 200 201 ⇔ 205 206 ⇔ 210 211 ⇔ 215 216 ⇔ 220 221 ⇔ 225 226 ⇔ 230 231 ⇔ 235 236 ⇔ 240 241 ⇔ 245 246 ⇔ 251 251 ⇔ 255	Pas de fonction R:100% V: 0-100% B: 0 R:100%-0 V: 100% B: 0 R:0 V: 100% B: 0-100% R:0 V: 100%-0 B: 100% R:0-100% V: 0 B: 100% R:100% V: 0 B: 100%-0 R:100% V: 0-100% B: 0-100% R:100%-0 V: 100%-0 B: 100% RVBb: 100% Blanc 1 Blanc 2 Blanc 3 Blanc 4 Blanc 5 Blanc 6 Blanc 7 Blanc 8 Blanc 9 Blanc 10 Blanc 11
	7	Stroboscope	000 ⇔ 009 010 ⇔ 255	Pas de fonction 0-20 Hz



TOUR	Canal	Fonction	Valeur	Pourcentage/Configuration
8		Programmes	000 ⇄ 040	Pas de fonction
			041 ⇄ 050	Auto 1
			051 ⇄ 060	Auto 2
			061 ⇄ 070	Auto 3
			071 ⇄ 080	Auto 4
			081 ⇄ 090	Auto 5
			091 ⇄ 100	Auto 6
			101 ⇄ 110	Auto 7
			111 ⇄ 120	Auto 8
			121 ⇄ 130	Auto 9
			131 ⇄ 140	Auto 10
			141 ⇄ 150	Personnalisé 1
			151 ⇄ 160	Personnalisé 2
161 ⇄ 170	Personnalisé 3			
171 ⇄ 180	Personnalisé 4			
181 ⇄ 190	Personnalisé 5			
191 ⇄ 200	Personnalisé 6			
201 ⇄ 210	Personnalisé 7			
211 ⇄ 220	Personnalisé 8			
221 ⇄ 230	Personnalisé 9			
231 ⇄ 255	Personnalisé 10			
9		Vitesse Auto	000 ⇄ 255	0-100% (seulement en utilisation avec Auto 1-10 dans Canal 8)
10		Vitesse du Gradateur	000 ⇄ 009	Vitesse du gradateur prédéfinie depuis le menu Gradateur linéaire
			010 ⇄ 029	Courbe de gradation non linéaire 1 (la plus rapide)
			030 ⇄ 069	Courbe de gradation non linéaire 2
			070 ⇄ 129	Courbe de gradation non linéaire 3
			130 ⇄ 189	Courbe de gradation non linéaire 4 (la moins rapide)
190 ⇄ 255				
11		Zoom	000 ⇄ 255	0-100%
12		Reinitialisation du Zoom	000 ⇄ 200	Pas de fonction
			201 ⇄ 220	Réinitialisation du zoom
			221 ⇄ 255	Pas de fonction

C1Q	Canal	Fonction	Valeur	Pourcentage/Configuration
	1	Gradateur	000 ⇄ 255	0-100%
	2	Rouge	000 ⇄ 255	Contrôle précis (16-bit) (Durée de Pas si Personnalisé 1-10 est active dans Canal 8)
	3	Vert	000 ⇄ 255	0-100% (Durée du Fond si Personnalisé 1-10 est active dans Canal 8)
	4	Bleu	000 ⇄ 255	0-100%
	5	Blanc	000 ⇄ 255	0-100%

C1Q	Canal	Fonction	Valeur	Pourcentage/Configuration			
6		<b>Macros de Couleurs + Balance des Blancs</b>	000 ⇔ 010	Pas de fonction			
			011 ⇔ 030	R:100% V: 0-100% B: 0			
			031 ⇔ 050	R:100%-0 V: 100% B: 0			
			051 ⇔ 070	R:0 V: 100% B: 0-100%			
			071 ⇔ 090	R:0 V: 100%-0 B: 100%			
			091 ⇔ 110	R:0-100% V: 0 B: 100%			
			111 ⇔ 130	R:100% V: 0 B: 100%-0			
			131 ⇔ 150	R:100% V: 0-100% B: 0-100%			
			151 ⇔ 170	R:100%-0 V: 100%-0 B: 100%			
			171 ⇔ 200	RVBb: 100%			
			201 ⇔ 205	Blanc 1			
			206 ⇔ 210	Blanc 2			
			211 ⇔ 215	Blanc 3			
			216 ⇔ 220	Blanc 4			
			221 ⇔ 225	Blanc 5			
			226 ⇔ 230	Blanc 6			
			231 ⇔ 235	Blanc 7			
			236 ⇔ 240	Blanc 8			
			241 ⇔ 245	Blanc 9			
			246 ⇔ 251	Blanc 10			
			251 ⇔ 255	Blanc 11			
			7	<b>Stroboscope</b>	000 ⇔ 009 010 ⇔ 255	Pas de fonction 0-20 Hz	
			8		<b>Programmes</b>	000 ⇔ 040	Pas de fonction
						041 ⇔ 050	Auto 1
						051 ⇔ 060	Auto 2
061 ⇔ 070	Auto 3						
071 ⇔ 080	Auto 4						
081 ⇔ 090	Auto 5						
091 ⇔ 100	Auto 6						
101 ⇔ 110	Auto 7						
111 ⇔ 120	Auto 8						
121 ⇔ 130	Auto 9						
131 ⇔ 140	Auto 10						
141 ⇔ 150	Personnalisé 1						
151 ⇔ 160	Personnalisé 2						
161 ⇔ 170	Personnalisé 3						
171 ⇔ 180	Personnalisé 4						
181 ⇔ 190	Personnalisé 5						
191 ⇔ 200	Personnalisé 6						
201 ⇔ 210	Personnalisé 7						
211 ⇔ 220	Personnalisé 8						
221 ⇔ 230	Personnalisé 9						
231 ⇔ 255	Personnalisé 10						
9	<b>Vitesse Auto</b>	000 ⇔ 255	0-100% (seulement en utilisation avec Auto 1-10 dans Canal 8)				
10		<b>Vitesse du Gradateur</b>	000 ⇔ 009	Vitesse du gradateur prédéfinie depuis le menu Gradateur linéaire			
			010 ⇔ 029 030 ⇔ 069	Courbe de gradation non linéaire 1 (la plus rapide)			
			070 ⇔ 129	Courbe de gradation non linéaire 2			
			130 ⇔ 189	Courbe de gradation non linéaire 3			
			190 ⇔ 255	Courbe de gradation non linéaire 4 (la moins rapide)			

AR2.Z	Canal	Fonction	Valeur	Pourcentage/Configuration
	1	<b>Gradateur</b>	000 ⇔ 255	0-100%
	2	<b>Rouge</b>	000 ⇔ 255	0-100%
	3	<b>Vert</b>	000 ⇔ 255	0-100%
	4	<b>Bleu</b>	000 ⇔ 255	0-100%
	5	<b>Blanc</b>	000 ⇔ 255	0-100%

AR2.Z	Canal	Fonction	Valeur	Pourcentage/Configuration
	6	Zoom	000 ⇄ 255	0-100%
	7	Reinitialisation du Zoom	000 ⇄ 200 201 ⇄ 220 221 ⇄ 255	Pas de fonction Réinitialisation du zoom Pas de fonction

AR2.S	Canal	Fonction	Valeur	Pourcentage/Configuration
	1	Gradateur	000 ⇄ 255	0-100%
	2	Rouge	000 ⇄ 255	0-100%
	3	Vert	000 ⇄ 255	0-100%
	4	Bleu	000 ⇄ 255	0-100%
	5	Blanc	000 ⇄ 255	0-100%
	6	Stroboscope	000 ⇄ 009 010 ⇄ 255	Pas de fonction 0-20 Hz

AR2.D	Canal	Fonction	Valeur	Pourcentage/Configuration
	1	Gradateur	000 ⇄ 255	0-100%
	2	Rouge	000 ⇄ 255	0-100%
	3	Vert	000 ⇄ 255	0-100%
	4	Bleu	000 ⇄ 255	0-100%
	5	Blanc	000 ⇄ 255	0-100%

ARC.2	Canal	Fonction	Valeur	Pourcentage/Configuration
	1	Rouge	000 ⇄ 255	0-100%
	2	Vert	000 ⇄ 255	0-100%
	3	Bleu	000 ⇄ 255	0-100%
	4	Blanc	000 ⇄ 255	0-100%

AR1.D	Canal	Fonction	Valeur	Pourcentage/Configuration
	1	Gradateur	000 ⇄ 255	0-100%
	2	Rouge	000 ⇄ 255	0-100%
	3	Vert	000 ⇄ 255	0-100%
	4	Bleu	000 ⇄ 255	0-100%

ARC.1	Canal	Fonction	Valeur	Pourcentage/Configuration
	1	Rouge	000 ⇄ 255	0-100%
	2	Vert	000 ⇄ 255	0-100%
	3	Bleu	000 ⇄ 255	0-100%

HSV	Canal	Fonction	Valeur	Pourcentage/Configuration
	1	Teintes	000 ⇄ 255	0-100%
	2	Saturation	000 ⇄ 255	0-100%
	3	Valeur	000 ⇄ 255	0-100%

## Over deze handleiding

De Colorado 1 Quad Zoom Beknopte Handleiding (BH) bevat basisinformatie over het product, zoals aansluiting, montage, menu-opties en DMX-waarden. Download de gebruikershandleiding op [www.chauvetprofessional.com](http://www.chauvetprofessional.com) voor meer informatie.

### Disclaimer

De informatie en specificaties in deze BH kunnen zonder voorafgaande kennisgeving worden gewijzigd.

### Veiligheids instructies

- Open het product NIET. Het bevat geen te onderhouden onderdelen.
- Om onnodige slijtage te elimineren en zijn levensduur te verlengen, gedurende perioden wanneer het product niet wordt gebruikt, moet u het product van de stroom afsluiten door een aardlekschakelaar om te zetten of door het te ontkoppelen.
- KIJK NIET in de lichtbron wanneer het apparaat is ingeschakeld.
- LET OP: De behuizing van dit product kan heet zijn wanneer het in bedrijf is.
- Monteer dit product op een plek met voldoende ventilatie, ten minste 50 cm van de aangrenzende oppervlakken.
- Plaats geen ontvlambaar materiaal binnen 50 cm van dit product als het in gebruik is of is aangesloten op het stopcontact.
- LET OP: Bij het verplaatsen van het product uit extreme omgevingen, (bijv. koude vrachtwagen naar warme, vochtige balzaal) kan er condensvorming optreden op de elektronica van het product. Om storingen te vermijden moet het product volledig kunnen acclimatiseren aan de omgeving voordat het op stroom wordt aangesloten.
- Niet voor permanente buiteninstallatie in locaties met extreme weersomstandigheden. Dit is met inbegrip van, maar niet beperkt tot:
  - Blootstelling aan een marien/zout milieu (binnen 5 km van zout water).
  - Waar de gebruikelijke hoge of lage temperaturen van de locatie de temperatuurbereiken in deze handleiding overschrijden.
  - Locaties die kunnen overstromen of onder sneeuw begraven kunnen worden.
  - Andere gebieden waar het product blootstaat aan extreme straling of bijtende substanties.
  - Wanneer dit product buiten wordt gebruikt in een omgeving die die een IP65-certificering vereist, moet er ook worden gezorgd dat er stroom/gegevenskabels met IP65-certificering of hoger worden gebruikt, moeten de ongebruikte poorten worden afgedekt met de vastgehechte IP65-afdekkingen en moet de beeldschermplaat aan het bedieningspaneel worden bevestigd.
- GEBRUIK een veiligheidskabel bij het boven het hoofd plaatsen van dit product.
- Dit product NIET onderdompelen (IP65). Regelmatig gebruik buitenshuis is prima.
- Gebruik dit product NIET als de behuizing, lenzen of kabels beschadigd lijken.
- Sluit dit product NIET aan op een dimmer of een regelweerstand.
- Sluit dit product UITSLUITEND op een geaard en beveiligd stroomcircuit.
- Gebruik UITSLUITEND de ophang-/montagebeugel om dit product te dragen.
- Stop in het geval van ernstige operationele problemen onmiddellijk met het gebruik.
- De maximale omgevingstemperatuur bedraagt 45 °C. Gebruik dit product niet bij hogere temperaturen.

### Contact

Van buiten de VS, Verenigd Koninkrijk, Ierland, Mexico of Benelux kunt u contact opnemen met de distributeur of om ondersteuning vragen dan wel het product retourneren. Ga naar [Contact Us](#) voor contactinformatie.

### Wat is inbegrepen

- Colorado 1 Quad Zoom
- Seetronic Powerkon IP65 stroomsnoer
- Gelframe
- Gel Frame Houder (7.5 in/191 mm accessoires)
- Garantiekaart
- Beknopte handleiding

### AC-stroom

Dit product heeft een voeding met automatisch bereik die werkt met een ingangsspanning van 100–240 VAC, 50/60 Hz.

### Power Linking

U kunt tot 12 Colorado 1 Quad Zoom-producten koppelen bij 120 V of 23 producten bij 230 V. Dit aantal niet overschrijden. Power Linking-snoeren kunnen apart aangeschaft worden.

**AC-stekker**

Aansluiting	Snoer (VS)	Snoer (Europa)	Schroefkleur
AC Live	Zwart	Bruin	Geel/messing
AC Neutraal	Wit	Blauw	Zilver
AC Aarde	Groen/geel	Groen/geel	Groen



- Om onnodige slijtage te elimineren en zijn levensduur te verlengen, gedurende perioden wanneer het product niet wordt gebruikt, moet u het product van de stroom afsluiten door een aardlekschakelaar om te zetten of door het te ontkoppelen.
- Wanneer dit product buiten wordt gebruikt moeten stroom- en gegevenskabels met een IP65-certificering (of hoger) worden gebruikt. Zorg ervoor dat ongebruikte stroom- en gegevenspoorten worden afgesloten met de aangehechte IP65-afdekkingen.

**DMX-koppeling**

De Colorado 1 Quad Zoom kan met een DMX-controller werken met een normale DMX seriële verbinding. Op [www.chauvetprofessional.com](http://www.chauvetprofessional.com) is een DMX basishandleiding verkrijgbaar.

**DMX-aansluiting**

De Colorado 1 Quad Zoom gebruikt een normale DMX-gegevensverbinding voor zijn DMX-persoonlijkheden: **TOUR**, **TR16**, **FULL**, **ARC.1**, **AR1.D**, **ARC.2**, **AR2.D**, **C1Q**, **STD.Y**, **AR2.S**, **AR2.Z**, en **HSV**. Zie de gebruikershandleiding om te verbinden en te configureren voor DMX-werking.



Wanneer dit product buiten wordt gebruikt in een omgeving die die een IP65-certificering vereist, moet er ook worden gezorgd dat er gegevenskabels met IP65-certificering of hoger worden gebruikt en moeten de ongebruikte poorten worden afgedekt met de vastgehechte IP65-afdekkingen.



De C1Q-persoonlijkheid is ontworpen om te worden gebruikt voor bij de Colorado 1-Quad-serie. In deze persoonlijkheid is de zoom vergrendeld om te passen bij de straal- en veldhoeken van de Colorado 1-Quad-serie.

Voor optimale bediening van de 16-bit dimkanalen in de persoonlijkheden TR16 en STD.Y, moet u controleren dat beide dimcurven in SET > DIM en SET > CURV zijn ingesteld naar uit.

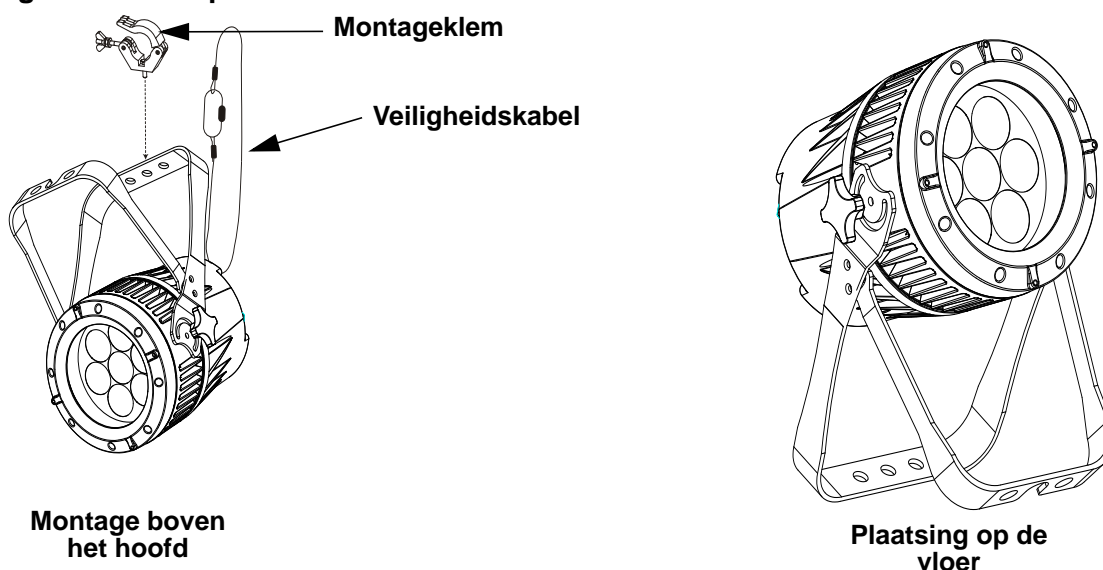
**Master/slave-verbinding**

De Colorado 1 Quad Zoom maakt gebruik van de DMX-dataverbinding voor haar Master-/Slave-modus. Zie de gebruikershandleiding om te verbinden en te configureren voor Master/Slave-werking.

## Montage

Lees alvorens dit product te monteren alle [Veiligheids instructies](#). Controleer of de montageklem het gewicht van het product kan dragen. Ga voor onze Chauvet-serie montageklemmen naar <http://trusst.com/productcategory/truss-clamps/>

### Montagediagram van het product



## Beschrijving bedienings paneel

Toets	Functie
<MENU>	Sluit het huidige menu of functie af
<ENTER>	Activeert het huidige getoonde menu of plaatst de huidige geselecteerde waarde in de geselecteerde functie
<UP>	Navigeert omhoog via het menu of verhoogt de numerieke waarde wanneer in een functie
<DOWN>	Navigeert omlaag via het menu of verlaagt de numerieke waarde wanneer in een functie

## Toegangscode

Vul na dat gevraagd te worden de volgende toegangscode in door te drukken op:

<UP>, <DOWN>, <UP>, <DOWN>, <ENTER>

Dit toegangscode kan niet gewijzigd worden en moet indien gevraagd ingevuld worden.

## Menumap

Hoofdniveau	Programmeerniveaus			Beschrijving
STAT	RED	R.	0-255	Combineert rood, groen, blauw en wit om een aangepaste kleur te maken (0-100%)
	GREEN	G.		
	BLUE	B.		
	WHITE	W.		
	ZOOM	Z.		
	STROBE	S.	0-20	Selecteert de stroboscoopfrequentie (0-20 Hz)
AUTO	AT. 1-10		P. 0-255	10 automatische programma's
	PR 1-10			10 instelbare programma's
RUN	DMX			DMX-modus
	SLAVE			Slave-modus
ADDR	D. 001-512			Selecteert het DMX-startadres

Hoofdniveau	Programmeerniveaus			Beschrijving	
PERS	FULL			25-kanaals: 16-bit RGBW-pixelbediening en dimmer; stroboscoop, kleurenmacro, auto/aangepast, dimmersnelheid, autosnelheid, zoom, zoomherstel	
	TR16			17-kanaals: 16-bit RGBW en dimmer; stroboscoop, kleurenmacro, auto/aangepast, dimmersnelheid, autosnelheid, zoom, zoomherstel	
	STD.Y			17-kanaals: 16-bit RGBW en dimmer; stroboscoop, kleurenmacro, auto/aangepast, dimmersnelheid, autosnelheid, zoom, zoomherstel	
	TOUR			12-kanaals: RGBW, dimmer, stroboscoop, kleurenmacro, auto/aangepast, dimmersnelheid, autosnelheid, zoom, zoomherstel	
	C1Q**			10-kanaals: RGBW, dimmer, stroboscoop, kleurenmacro auto/aangepast, dimmersnelheid, auto snelheid **	
	AR2.Z			7-kanaals: RGBW, dimmer, zoom, zoomherstel	
	AR2.S			6-kanaals: RGBW, dimmer, stroboscoop	
	AR2.D			5-kanaals: RGBW, dimmer	
	ARC.2			4-kanaals: RGBW	
	AR1.D			4-kanaals: RGB, dimmer	
	ARC.1			3-kanaals: RGB-regeling	
HSV.			3-kanaals: HSV-regeling		
EDIT	PR. 1-10	SC.01-30	RED	0-255	Combineert rood, groen, blauw en wit om een aangepaste kleur te genereren (0-100%)
			GREN		
			BLUE		
			WHIT		
			ZOOM		
			STRB	0-20	Selecteert de stroboscoopfrequentie (0-20 Hz)
			TIME	0-255	Definieert de stapduur (langzaam tot snel)
FADE	Definieert de fadeduur (langzaam tot snel)				

Hoofdniveau	Programmeerniveaus				Beschrijving		
SET	**** (Toegang- scode invullen)	UPLD		**** (Toegang- scode invullen)	SEND	Uploadt aangepaste programma's naar andere Colorado 1 Quad Zoom - producten	
		KEY		OFF ON		Schakelt de toegangscode aan of uit.	
		REST		**** (Toegang- scode invullen)		Herstelt product naar de fabrieksinstellingen	
		COLR		OFF		RGB ingesteld naar 255 = max. opbrengst	
				RGBW		RGB ingesteld naar 255 = gebalanceerd wit	
				UC.		Universele kleurenbalans	
		DIMX		OFF		Geen dimmer	
				DIM1		Dimmerprofielen snel (DIM1) tot langzaam (DIM4)	
				DIM2			
				DIM3			
		CURV		DIM4		Geen dimmer	
				OFF			Dimmercurves snel (CV1) tot langzaam (CV3)
				CV1			
		CV2					
		DERR		CV3		Gaat verder met de laatste opdracht na verlies van DMX-regeling	
				SAVE			Verduistert de armatuur na verlies van DMX
				BLAK			
SLCK		OFF		SET toegangsvergrendeling tot het hoofdniveau			
		ON					
ZOOM		BASE		Stelt de standaard zoompositie in (volledige beweging)			
		POS1		Stelt positie 1 instelling in voor zoombegrenzing			
		POS2		Stelt positie 2 instelling in voor zoombegrenzing			
CAL	**** (Toegang- scode invullen)	CAL1	WH. 01-11	RED	0-255	Wijzigt de kleurenmacro's die worden gebruikt in de TOUR, FULL, C1Q, TR16 en STD.Y-persoonlijkheden	
				GREEN			
		BLUE					
CAL2	R.		WHITE	Definieert de kleurtemperatuur die wordt gebruikt wanneer COLR is ingesteld naar RGBW			
CALR		**** (Toegang- scode invullen)		Herstelt CAL naar de fabrieksinstellingen			
ZOOM	POS.1		P. 0-255		Stelt de min/max-positie in van de zoomfunctie		
	POS.2						

\*\*Zoom vergrendeld om te passen bij Colorado 1-Quad-serie.

### DMX-waarden

FULL	Kanaal	Functie	Waarde	Percentage/instelling
	1	Dimmer	000 ⇔ 255	0-100%
	2	Fijne dimmer	000 ⇔ 255	Fijne bediening (16-bit) (Stapduur indien Custom 1-10 in CH. 21 actief is)
	3	Rood 1	000 ⇔ 255	0-100% (Fadeduur indien Custom 1-10 in CH. 21 actief is)

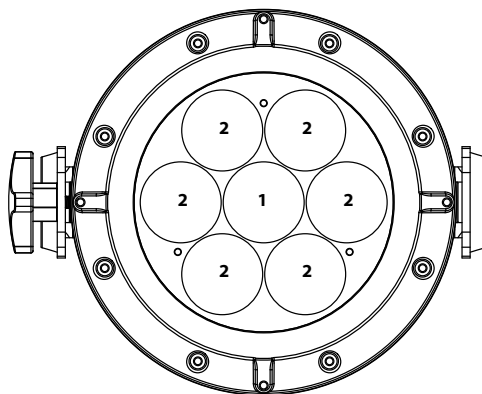


FULL

Kanaal	Functie	Waarde	Percentage/instelling
4	Fijn rood 1	000 ⇄ 255	Fijne regeling (16-bit)
5	Groen 1	000 ⇄ 255	0-100%
6	Fijn groen 1	000 ⇄ 255	Fijne regeling (16-bit)
7	Blauw 1	000 ⇄ 255	0-100%
8	Fijn blauw 1	000 ⇄ 255	Fijne regeling (16-bit)
9	Wit 1	000 ⇄ 255	0-100%
10	Fijn wit 1	000 ⇄ 255	Fijne regeling(16-bit)
11	Rood 2	000 ⇄ 255	0-100%
12	Fijn rood 2	000 ⇄ 255	Fijne regeling (16-bit)
13	Groen 2	000 ⇄ 255	0-100%
14	Fijn groen 2	000 ⇄ 255	Fijne regeling (16-bit)
15	Blauw 2	000 ⇄ 255	0-100%
16	Fijn blauw 2	000 ⇄ 255	Fijne regeling (16-bit)
17	Wit 2	000 ⇄ 255	0-100%
18	Fijn wit 2	000 ⇄ 255	Fijne regeling (16-bit)
19	Kleurenmacro + witbalans	000 ⇄ 010	Geen functie
		011 ⇄ 030	R:100% G: 0-100% B: 0
		031 ⇄ 050	R:100%-0 G: 100% B: 0
		051 ⇄ 070	R:0 G: 100% B: 0-100%
		071 ⇄ 090	R:0 G: 100%-0 B: 100%
		091 ⇄ 110	R:0-100% G: 0 B: 100%
		111 ⇄ 130	R:100% G: 0 B: 100%-0
		131 ⇄ 150	R:100% G: 0-100% B: 0-100%
		151 ⇄ 170	R:100%-0 G: 100%-0 B: 100%
		171 ⇄ 200	RGBW: 100%
		201 ⇄ 205	Wit 1
		206 ⇄ 210	Wit 2
		211 ⇄ 215	Wit 3
		216 ⇄ 220	Wit 4
		221 ⇄ 225	Wit 5
		226 ⇄ 230	Wit 6
		231 ⇄ 235	Wit 7
236 ⇄ 240	Wit 8		
241 ⇄ 245	Wit 9		
246 ⇄ 251	Wit 10		
251 ⇄ 255	Wit 11		
20	Stroboscoop	000 ⇄ 009	Geen functie
		010 ⇄ 255	0-20 Hz
21	Programma's	000 ⇄ 040	Geen functie
		041 ⇄ 050	Auto 1
		051 ⇄ 060	Auto 2
		061 ⇄ 070	Auto 3
		071 ⇄ 080	Auto 4
		081 ⇄ 090	Auto 5
		091 ⇄ 100	Auto 6
		101 ⇄ 110	Auto 7
		111 ⇄ 120	Auto 8
		121 ⇄ 130	Auto 9
		131 ⇄ 140	Auto 10
		141 ⇄ 150	Aangepast 1
		151 ⇄ 160	Aangepast 2
		161 ⇄ 170	Aangepast 3
		171 ⇄ 180	Aangepast 4
		181 ⇄ 190	Aangepast 5
191 ⇄ 200	Aangepast 6		
201 ⇄ 210	Aangepast 7		
211 ⇄ 220	Aangepast 8		
221 ⇄ 230	Aangepast 9		
231 ⇄ 255	Aangepast 10		
22	Automatische snelheid	000 ⇄ 255	0-100% (alleen bij gebruik van Auto 1-10 in Ch. 21)

FULL	Kanaal	Functie	Waarde	Percentage/instelling
	23	Dimmersnelheid	000 ⇄ 009	Preset dimmer speed from display menu
			010 ⇄ 029	Linear dimmer
			030 ⇄ 069	Nonlinear dimming curve 1 (fastest)
			070 ⇄ 129	Nonlinear dimming curve 2
			130 ⇄ 189	Nonlinear dimming curve 3
	190 ⇄ 255	Nonlinear dimming curve 4 (slowest)		
	24	Zoom	000 ⇄ 255	0-100%
	25	Zoomherstel	000 ⇄ 200	Geen functie
			201 ⇄ 220	Zoom reset
			221 ⇄ 255	Geen functie

**COLORado 1-Quad Zoom Tour Pixel selectie voor DMX-bediening**



TR16	Kanaal	Functie	Waarde	Percentage/instelling
	1	Dimmer	000 ⇄ 255	0-100%
	2	Fijne dimmer	000 ⇄ 255	Fijne bediening (16-bit) (Stapduur indien Custom 1-10 in CH. 13 actief is)
	3	Rood	000 ⇄ 255	0-100% (Fadeduur indien Custom 1-10 in CH. 13 actief is)
	4	Fijn rood	000 ⇄ 255	Fijne regeling (16-bit)
	5	Groen	000 ⇄ 255	0-100%
	6	Fijn groen	000 ⇄ 255	Fijne regeling (16-bit)
	7	Blauw	000 ⇄ 255	0-100%
	8	Fijn blauw	000 ⇄ 255	Fijne regeling (16-bit)
	9	Wit	000 ⇄ 255	0-100%
	10	Fijn wit	000 ⇄ 255	Fijne regeling(16-bit)
	11	Kleurenmacro + witbalans	000 ⇄ 010	Geen functie
			011 ⇄ 030	R:100% G: 0-100% B: 0
			031 ⇄ 050	R:100%-0 G: 100% B: 0
			051 ⇄ 070	R:0 G: 100% B: 0-100%
			071 ⇄ 090	R:0 G: 100%-0 B: 100%
			091 ⇄ 110	R:0-100% G: 0 B: 100%
			111 ⇄ 130	R:100% G: 0 B: 100%-0
			131 ⇄ 150	R:100% G: 0-100% B: 0-100%
			151 ⇄ 170	R:100%-0 G: 100%-0 B: 100%
			171 ⇄ 200	RGBW: 100%
			201 ⇄ 205	Wit 1
			206 ⇄ 210	Wit 2
			211 ⇄ 215	Wit 3
			216 ⇄ 220	Wit 4
			221 ⇄ 225	Wit 5
			226 ⇄ 230	Wit 6
			231 ⇄ 235	Wit 7
			236 ⇄ 240	Wit 8
	241 ⇄ 245	Wit 9		
	246 ⇄ 251	Wit 10		
	251 ⇄ 255	Wit 11		

TR16	Kanaal	Functie	Waarde	Percentage/instelling
	12	<b>Stroboscoop</b>	000 ⇄ 009 010 ⇄ 255	Geen functie 0-20 Hz
	13	<b>Programma's</b>	000 ⇄ 040 041 ⇄ 050 051 ⇄ 060 061 ⇄ 070 071 ⇄ 080 081 ⇄ 090 091 ⇄ 100 101 ⇄ 110 111 ⇄ 120 121 ⇄ 130 131 ⇄ 140 141 ⇄ 150 151 ⇄ 160 161 ⇄ 170 171 ⇄ 180 181 ⇄ 190 191 ⇄ 200 201 ⇄ 210 211 ⇄ 220 221 ⇄ 230 231 ⇄ 255	Geen functie Auto 1 Auto 2 Auto 3 Auto 4 Auto 5 Auto 6 Auto 7 Auto 8 Auto 9 Auto 10 Aangepast 1 Aangepast 2 Aangepast 3 Aangepast 4 Aangepast 5 Aangepast 6 Aangepast 7 Aangepast 8 Aangepast 9 Aangepast 10
	14	<b>Automatische snelheid</b>	000 ⇄ 255	0-100% (alleen bij gebruik van Auto 1-10 in Ch. 21)
	15	<b>Dimmersnelheid</b>	000 ⇄ 009 010 ⇄ 029 030 ⇄ 069 070 ⇄ 129 130 ⇄ 189 190 ⇄ 255	Preset dimmer speed from display menu Linear dimmer Nonlinear dimming curve 1 (fastest) Nonlinear dimming curve 2 Nonlinear dimming curve 3 Nonlinear dimming curve 4 (slowest)
	16	<b>Zoom</b>	000 ⇄ 255	0-100%
	17	<b>Zoomherstel</b>	000 ⇄ 200 201 ⇄ 220 221 ⇄ 255	Geen functie Zoom reset Geen functie

STD.Y	Kanaal	Functie	Waarde	Percentage/instelling
	1	<b>Dimmer</b>	000 ⇄ 255	0-100%
	2	<b>Fijne dimmer</b>	000 ⇄ 255	Fijne bediening (16-bit) (Stapduur indien Custom 1-10 in CH. 13 actief is)
	3	<b>Rood</b>	000 ⇄ 255	0-100% (Fadeduur indien Custom 1-10 in CH. 13 actief is)
	4	<b>Fijn rood</b>	000 ⇄ 255	Fijne regeling (16-bit)
	5	<b>Groen</b>	000 ⇄ 255	0-100%
	6	<b>Fijn groen</b>	000 ⇄ 255	Fijne regeling (16-bit)
	7	<b>Blauw</b>	000 ⇄ 255	0-100%
	8	<b>Fijn blauw</b>	000 ⇄ 255	Fijne regeling (16-bit)
	9	<b>Wit</b>	000 ⇄ 255	0-100%
	10	<b>Fijn wit</b>	000 ⇄ 255	Fijne regeling(16-bit)

STD.Y	Kanaal	Functie	Waarde	Percentage/instelling
11		Kleurenmacro + witbalans	000 ⇄ 010	Geen functie
			011 ⇄ 030	R:100% G: 0-100% B: 0
			031 ⇄ 050	R:100%-0 G: 100% B: 0
			051 ⇄ 070	R:0 G: 100% B: 0-100%
			071 ⇄ 090	R:0 G: 100%-0 B: 100%
			091 ⇄ 110	R:0-100% G: 0 B: 100%
			111 ⇄ 130	R:100% G: 0 B: 100%-0
			131 ⇄ 150	R:100% G: 0-100% B: 0-100%
			151 ⇄ 170	R:100%-0 G: 100%-0 B: 100%
			171 ⇄ 200	RGBW: 100%
			201 ⇄ 205	Wit 1
			206 ⇄ 210	Wit 2
			211 ⇄ 215	Wit 3
			216 ⇄ 220	Wit 4
			221 ⇄ 225	Wit 5
			226 ⇄ 230	Wit 6
			231 ⇄ 235	Wit 7
236 ⇄ 240	Wit 8			
241 ⇄ 245	Wit 9			
246 ⇄ 251	Wit 10			
251 ⇄ 255	Wit 11			
12	Stroboscoop		000 ⇄ 009 010 ⇄ 255	Geen functie 0-20 Hz
13		Programma's	000 ⇄ 040	Geen functie
			041 ⇄ 050	Auto 1
			051 ⇄ 060	Auto 2
			061 ⇄ 070	Auto 3
			071 ⇄ 080	Auto 4
			081 ⇄ 090	Auto 5
			091 ⇄ 100	Auto 6
			101 ⇄ 110	Auto 7
			111 ⇄ 120	Auto 8
			121 ⇄ 130	Auto 9
			131 ⇄ 140	Auto 10
			141 ⇄ 150	Aangepast 1
			151 ⇄ 160	Aangepast 2
			161 ⇄ 170	Aangepast 3
			171 ⇄ 180	Aangepast 4
			181 ⇄ 190	Aangepast 5
			191 ⇄ 200	Aangepast 6
201 ⇄ 210	Aangepast 7			
211 ⇄ 220	Aangepast 8			
221 ⇄ 230	Aangepast 9			
231 ⇄ 255	Aangepast 10			
14	Automatische snelheid		000 ⇄ 255	0-100% (alleen bij gebruik van Auto 1-10 in Ch. 21)
15	Dimmersnelheid	000 ⇄ 009	010 ⇄ 029	Preset dimmer speed from display menu
		030 ⇄ 069	070 ⇄ 129	Linear dimmer
		130 ⇄ 189	190 ⇄ 255	Nonlinear dimming curve 1 (fastest)
				Nonlinear dimming curve 2
				Nonlinear dimming curve 3
16	Zoom		000 ⇄ 255	0-100%
17	Zoomherstel	000 ⇄ 200	201 ⇄ 220	Geen functie
				Zoom reset
		221 ⇄ 255		Geen functie
TOUR	Kanaal	Functie	Waarde	Percentage/instelling
	1	Dimmer	000 ⇄ 255	0-100%
	2	Rood	000 ⇄ 255	0-100% (Stapduur indien Custom 1-10 in CH. 8 actief is)
	3	Groen	000 ⇄ 255	0-100% (Fadeduur indien Custom 1-10 in CH. 8 actief is)

TOUR	Kanaal	Functie	Waarde	Percentage/instelling
	4	Blauw	000 ⇄ 255	0-100%
	5	Wit	000 ⇄ 255	0-100%
	6	Kleurenmacro + witbalans	000 ⇄ 010 011 ⇄ 030 031 ⇄ 050 051 ⇄ 070 071 ⇄ 090 091 ⇄ 110 111 ⇄ 130 131 ⇄ 150 151 ⇄ 170 171 ⇄ 200 201 ⇄ 205 206 ⇄ 210 211 ⇄ 215 216 ⇄ 220 221 ⇄ 225 226 ⇄ 230 231 ⇄ 235 236 ⇄ 240 241 ⇄ 245 246 ⇄ 251 251 ⇄ 255	Geen functie R:100% G: 0-100% B: 0 R:100%-0 G: 100% B: 0 R:0 G: 100% B: 0-100% R:0 G: 100%-0 B: 100% R:0-100% G: 0 B: 100% R:100% G: 0 B: 100%-0 R:100% G: 0-100% B: 0-100% R:100%-0 G: 100%-0 B: 100% RGBW: 100% Wit 1 Wit 2 Wit 3 Wit 4 Wit 5 Wit 6 Wit 7 Wit 8 Wit 9 Wit 10 Wit 11
	7	Stroboscoop	000 ⇄ 009 010 ⇄ 255	Geen functie 0-20 Hz
	8	Programma's	000 ⇄ 040 041 ⇄ 050 051 ⇄ 060 061 ⇄ 070 071 ⇄ 080 081 ⇄ 090 091 ⇄ 100 101 ⇄ 110 111 ⇄ 120 121 ⇄ 130 131 ⇄ 140 141 ⇄ 150 151 ⇄ 160 161 ⇄ 170 171 ⇄ 180 181 ⇄ 190 191 ⇄ 200 201 ⇄ 210 211 ⇄ 220 221 ⇄ 230 231 ⇄ 255	Geen functie Auto 1 Auto 2 Auto 3 Auto 4 Auto 5 Auto 6 Auto 7 Auto 8 Auto 9 Auto 10 Aangepast 1 Aangepast 2 Aangepast 3 Aangepast 4 Aangepast 5 Aangepast 6 Aangepast 7 Aangepast 8 Aangepast 9 Aangepast 10
	9	Automatische snelheid	000 ⇄ 255	0-100% (alleen bij gebruik van Auto 1-10 in Ch. 8)
	10	Dimmersnelheid	000 ⇄ 009 010 ⇄ 029 030 ⇄ 069 070 ⇄ 129 130 ⇄ 189 190 ⇄ 255	Preset dimmer speed from display menu Linear dimmer Nonlinear dimming curve 1 (fastest) Nonlinear dimming curve 2 Nonlinear dimming curve 3 Nonlinear dimming curve 4 (slowest)
	11	Zoom	000 ⇄ 255	0-100%
	12	Zoomherstel	000 ⇄ 200 201 ⇄ 220 221 ⇄ 255	Geen functie Zoom reset Geen functie

C1Q	Kanaal	Functie	Waarde	Percentage/instelling
	1	Dimmer	000 ⇄ 255	0-100%
	2	Rood	000 ⇄ 255	0-100% (Stapduur indien Custom 1-10 in CH. 8 actief is)

C1Q	Kanaal	Functie	Waarde	Percentage/instelling
	3	Groen	000 ⇄ 255	0-100% (Fadeduur indien Custom 1-10 in CH. 8 actief is)
	4	Blauw	000 ⇄ 255	0-100%
	5	Wit	000 ⇄ 255	0-100%
	6	Kleurenmacro + witbalans	000 ⇄ 010 011 ⇄ 030 031 ⇄ 050 051 ⇄ 070 071 ⇄ 090 091 ⇄ 110 111 ⇄ 130 131 ⇄ 150 151 ⇄ 170 171 ⇄ 200 201 ⇄ 205 206 ⇄ 210 211 ⇄ 215 216 ⇄ 220 221 ⇄ 225 226 ⇄ 230 231 ⇄ 235 236 ⇄ 240 241 ⇄ 245 246 ⇄ 251 251 ⇄ 255	Geen functie R:100% G: 0-100% B: 0 R:100%-0 G: 100% B: 0 R:0 G: 100% B: 0-100% R:0 G: 100%-0 B: 100% R:0-100% G: 0 B: 100% R:100% G: 0 B: 100%-0 R:100% G: 0-100% B: 0-100% R:100%-0 G: 100%-0 B: 100% RGBW: 100% Wit 1 Wit 2 Wit 3 Wit 4 Wit 5 Wit 6 Wit 7 Wit 8 Wit 9 Wit 10 Wit 11
	7	Stroboscoop	000 ⇄ 009 010 ⇄ 255	Geen functie 0-20 Hz
	8	Programma's	000 ⇄ 040 041 ⇄ 050 051 ⇄ 060 061 ⇄ 070 071 ⇄ 080 081 ⇄ 090 091 ⇄ 100 101 ⇄ 110 111 ⇄ 120 121 ⇄ 130 131 ⇄ 140 141 ⇄ 150 151 ⇄ 160 161 ⇄ 170 171 ⇄ 180 181 ⇄ 190 191 ⇄ 200 201 ⇄ 210 211 ⇄ 220 221 ⇄ 230 231 ⇄ 255	Geen functie Auto 1 Auto 2 Auto 3 Auto 4 Auto 5 Auto 6 Auto 7 Auto 8 Auto 9 Auto 10 Aangepast 1 Aangepast 2 Aangepast 3 Aangepast 4 Aangepast 5 Aangepast 6 Aangepast 7 Aangepast 8 Aangepast 9 Aangepast 10
	9	Automatische snelheid	000 ⇄ 255	0-100% (alleen bij gebruik van Auto 1-10 in Ch. 8)
	10	Dimmersnelheid	000 ⇄ 009 010 ⇄ 029 030 ⇄ 069 070 ⇄ 129 130 ⇄ 189 190 ⇄ 255	Preset dimmer speed from display menu Linear dimmer Nonlinear dimming curve 1 (fastest) Nonlinear dimming curve 2 Nonlinear dimming curve 3 Nonlinear dimming curve 4 (slowest)

AR2.Z	Kanaal	Functie	Waarde	Percentage/instelling
	1	Dimmer	000 ⇄ 255	0-100%
	2	Rood	000 ⇄ 255	0-100%
	3	Groen	000 ⇄ 255	0-100%
	4	Blauw	000 ⇄ 255	0-100%

AR2.Z	Kanaal	Functie	Waarde	Percentage/instelling
	5	Wit	000 ⇄ 255	0-100%
	6	Zoom	000 ⇄ 255	0-100%
	7	Zoomherstel	000 ⇄ 200 201 ⇄ 220 221 ⇄ 255	Geen functie Zoom reset Geen functie

AR2.S	Kanaal	Functie	Waarde	Percentage/instelling
	1	Dimmer	000 ⇄ 255	0-100%
	2	Rood	000 ⇄ 255	0-100%
	3	Groen	000 ⇄ 255	0-100%
	4	Blauw	000 ⇄ 255	0-100%
	5	Wit	000 ⇄ 255	0-100%
	6	Stroboscoop	000 ⇄ 009 010 ⇄ 255	Geen functie 0-20 Hz

AR2.D	Kanaal	Functie	Waarde	Percentage/instelling
	1	Dimmer	000 ⇄ 255	0-100%
	2	Rood	000 ⇄ 255	0-100%
	3	Groen	000 ⇄ 255	0-100%
	4	Blauw	000 ⇄ 255	0-100%
	5	Wit	000 ⇄ 255	0-100%

ARC.2	Kanaal	Functie	Waarde	Percentage/instelling
	1	Rood	000 ⇄ 255	0-100%
	2	Groen	000 ⇄ 255	0-100%
	3	Blauw	000 ⇄ 255	0-100%
	4	Wit	000 ⇄ 255	0-100%

AR1.D	Kanaal	Functie	Waarde	Percentage/instelling
	1	Dimmer	000 ⇄ 255	0-100%
	2	Rood	000 ⇄ 255	0-100%
	3	Groen	000 ⇄ 255	0-100%
	4	Blauw	000 ⇄ 255	0-100%

ARC.1	Kanaal	Functie	Waarde	Percentage/instelling
	1	Rood	000 ⇄ 255	0-100%
	2	Groen	000 ⇄ 255	0-100%
	3	Blauw	000 ⇄ 255	0-100%

HSV	Kanaal	Functie	Waarde	Percentage/instelling
	1	Tint	000 ⇄ 255	0-100%
	2	Verzadiging	000 ⇄ 255	0-100%
	3	Waarde	000 ⇄ 255	0-100%

## Contact Us

WORLD HEADQUARTERS	
General Information	Technical Support
Address: 5200 NW 108th Ave. Sunrise, FL 33351 Voice: (954) 577-4455 Fax: (954) 929-5560 Toll Free: (800) 762-1084	Voice: (954) 577-4455 (Press 4) Fax: (954) 756-8015 Email: <a href="mailto:tech@chauvetlighting.com">tech@chauvetlighting.com</a>
	<b>Website</b> <a href="http://www.chauvetlighting.com">www.chauvetlighting.com</a>
EUROPE	
General Information	Technical Support
Address: Stokstraat 18 9770 Kruishoutem Belgium Voice: +32 9 388 93 97	Email: <a href="mailto:Eutech@chauvetlighting.eu">Eutech@chauvetlighting.eu</a>
	<b>Website</b> <a href="http://www.chauvetlighting.eu">www.chauvetlighting.eu</a>
General Information	Technical Support
Address: Unit 1C Brookhill Road Industrial Estate Pinxton, Nottingham, UK NG16 6NT Voice: +44 (0) 1773 511115 Fax: +44 (0) 1773 511110	Email: <a href="mailto:uktech@chauvetlighting.com">uktech@chauvetlighting.com</a>
	<b>Website</b> <a href="http://www.chauvetlighting.co.uk">www.chauvetlighting.co.uk</a>
MEXICO	
General Information	Technical Support
Address: Av. Santa Ana 30 Lerma, Mexico C.P. 52000 Voice: +52 (728) 285-5000	Email: <a href="mailto:servicio@chauvet.com.mx">servicio@chauvet.com.mx</a>
	<b>Website</b> <a href="http://www.chauvet.com.mx">www.chauvet.com.mx</a>

Outside the U.S., United Kingdom, Ireland, Mexico or Benelux, contact the dealer of record. Follow the instructions to request support or to return a product. Visit our website for contact details.



UL 1573  
CSA C22.2 No. 166  
E113093

