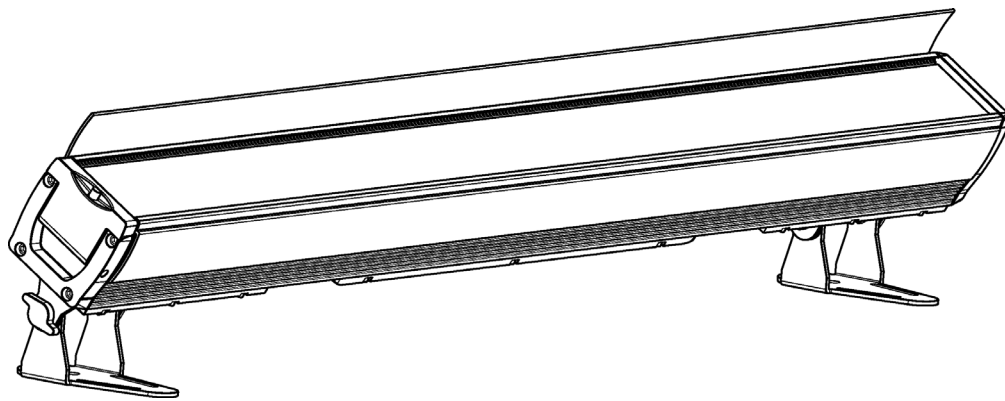


# COLORADO *BATTEN* 72X

## User Manual



## **Edition Notes**

The COLORado Batten 72X User Manual includes a description, safety precautions, installation, programming, operation and maintenance instructions for the COLORado Batten 72X as of the release date of this edition.

## **Trademarks**

CHAUVET, the Chauvet logo and COLORado Batten 72X are registered trademarks or trademarks of Chauvet & Sons, LLC (d/b/a Chauvet and Chauvet Lighting) in the United States and other countries. Other company and product names and logos referred to herein may be trademarks of their respective companies.

## **Copyright Notice**

The works of authorship contained in this manual, including, but not limited to, all design, text and images are owned by Chauvet.

© **Copyright 2019 Chauvet & Sons, LLC. All rights reserved.**

Electronically published by Chauvet in the United States of America.

## **Manual Use**

Chauvet authorizes its customers to download and print this manual for professional information purposes only. Chauvet expressly prohibits the usage, copy, storage, distribution, modification, or printing of this manual or its content for any other purpose without written consent from Chauvet.

## **Document Printing**

For best results, print this document in color, on letter size paper (8.5 x 11 in), double-sided. If using A4 paper (210 x 297 mm), configure the printer to scale the content accordingly.

## **Intended Audience**

Any person installing, operating, and/or maintaining this product should completely read through the guide that shipped with the product, as well as this manual, before installing, operating, or maintaining this product.

## **Disclaimer**

Chauvet believes that the information contained in this manual is accurate in all respects. However, Chauvet assumes no responsibility and specifically disclaims any and all liability to any party for any loss, damage or disruption caused by any errors or omissions in this document, whether such errors or omissions result from negligence, accident or any other cause. Chauvet reserves the right to revise the content of this document without any obligation to notify any person or company of such revision, however, Chauvet has no obligation to make, and does not commit to make, any such revisions. Download the latest version from [www.chauvetprofessional.com](http://www.chauvetprofessional.com).

## **Document Revision**

This COLORado Batten 72X User Manual is the 1<sup>st</sup> edition of this document. Go to [www.chauvetprofessional.com](http://www.chauvetprofessional.com) for the latest version.

**TABLE OF CONTENTS**

<b>1. Before You Begin .....</b>	<b>1</b>
What Is Included .....	1
Claims .....	1
Text Conventions .....	1
Symbols .....	1
Safety Notes.....	2
Personal Safety.....	2
Mounting and Rigging .....	2
Power and Wiring.....	2
Operation .....	2
Expected LED Lifespan.....	2
<b>2. Introduction.....</b>	<b>3</b>
Description .....	3
Features .....	3
Product Overview.....	3
Product Dimensions.....	3
<b>3. Setup.....</b>	<b>4</b>
AC Power .....	4
AC Plug .....	4
Power Linking.....	4
DMX Linking.....	4
DMX Personalities.....	4
Remote Device Management (RDM).....	4
Master/Slave Connectivity.....	5
Mounting .....	5
Orientation.....	5
Rigging .....	5
Procedure.....	5
<b>4. Operation.....</b>	<b>6</b>
Control Panel Operation.....	6
Control Options .....	6
Programming.....	6
Control Panel Lock.....	6
Passcode .....	6
Menu Map .....	7
Configuration (DMX) .....	9
Control Personalities .....	9
Starting Address.....	9
DMX Channel Assignments and Values .....	9
3-Cell DMX Values.....	9
3 HSIC (22 Channels).....	9
3 RGBAW FUL (43 Channels).....	11
3 RGBAW FIN (30 Channels).....	14
3 RGBAW EXT (27 Channels).....	15
3 RGBAW (15 Channels).....	18
3 RGBA EXT (24 Channels).....	18
3 RGBA (12 Channels) .....	20
3 RGB EXT (21 Channels).....	21
3 RGB (9 Channels).....	23
1-Cell DMX Values .....	23
1 HSIC (8 Channels).....	23
1 RGBAW FUL (16 Channels).....	24
1 RGBAW FIN (10 Channels).....	25
1 RGBAW EXT (10 Channels).....	25
1 RGBAW (5 Channels).....	26
1 RGBA EXT (9 Channels).....	26
1 RGBA (4 Channels) .....	27
1 RGB EXT (8 Channels).....	27
1 RGB (3 Channels).....	28

---

Configuration (Standalone) .....	29
Static Colors .....	29
Automatic Programs .....	29
Edit .....	29
Run .....	29
Configuration (Settings) .....	29
Output Setting .....	29
Master/Slave .....	29
Dimmer Profiles .....	30
LED Frequency .....	30
Cell Order .....	30
DMX Error/Loss .....	30
Display Timeout .....	30
System Information .....	30
Factory Reset .....	30
<b>5. Maintenance</b> .....	<b>31</b>
Product Maintenance .....	31
<b>6. Technical Specifications</b> .....	<b>32</b>
Photometrics Charts .....	33
<b>Returns</b> .....	<b>34</b>
<b>Contact Us</b> .....	<b>35</b>

## Before You Begin

# 1. Before You Begin

## What Is Included

- COLORado Batten 72X
- Seetronic Powerkon IP65 Power Cord
- Quick Reference Guide

## Claims

Carefully unpack the product immediately and check the container to make sure all the parts are in the package and are in good condition.




If the box or the contents (the product and included accessories) appear damaged from shipping, or show signs of mishandling, notify the carrier immediately, not Chauvet. Failure to report damage to the carrier immediately may invalidate your claim. In addition, keep the box and contents for inspection.

For other issues, such as missing components or parts, damage not related to shipping, or concealed damage, file a claim with Chauvet within 7 days of delivery.

## Text Conventions

Convention	Meaning
<b>1–512</b>	A range of values
<b>50/60</b>	A set of values of which only one can be chosen
<b>Settings</b>	A menu option not to be modified
<b>&lt;ENTER&gt;</b>	A key to be pressed on the product's control panel

## Symbols

Symbol	Meaning
	Critical installation, configuration, or operation information. Not following these instructions may make the product not work, cause damage to the product, or cause harm to the operator.
	Important installation or configuration information. The product may not function correctly if this information is not used.
	Useful information.



Any reference to data or power connections in this manual assumes the use of Seetronic IP rated cables.



The term “DMX” used throughout this manual refers to the USITT DMX512-A digital data transmission protocol.

## Safety Notes

Read all the following safety notes before working with this product. These notes contain important information about the installation, usage, and maintenance of this product.



**This product contains no user-serviceable parts. Any reference to servicing in this User Manual will only apply to properly trained, certified technicians. Do not open the housing or attempt any repairs.**



**All applicable local codes and regulations apply to proper installation of this product.**

## Personal Safety

- Avoid direct eye exposure to the light source while the product is on.
- Always disconnect the product from the power source before cleaning or replacing the fuse.
- Always connect the product to a grounded circuit to avoid the risk of electrocution.
- Do not touch the product's housing when operating because it may be very hot.

## Mounting and Rigging

- Do not submerge this product (IP65). Temporary outdoor operation is fine.
- When using this product in an outdoor environment, use IP65 (or higher) rated power and data cables. Secure unused power and data ports with attached IP65 covers.
- CAUTION: When transferring product from extreme temperature environments, (e.g., cold truck to warm, humid ballroom) condensation may form on the internal electronics of the product. To avoid causing a failure, allow product to fully acclimate to the surrounding environment before connecting it to power.
- Not for permanent outdoor installation in locations with extreme environmental conditions. This includes, but is not limited to:
  - Exposure to a marine/saline environment (within 3 miles of a saltwater body of water).
  - Locations where the normal high or low temperatures exceed the temperature ranges in this manual.
  - Locations that are prone to flooding or being buried in snow.
  - Areas where the product will be subjected to extreme radiation or caustic substances.
- Mount this product in a location with adequate ventilation, at least 20 in (50 cm) from adjacent surfaces.
- Make sure there are no flammable materials close to the product when operating.
- When hanging this product, always secure to a fastening device using a safety cable.

## Power and Wiring

- Always make sure you are connecting the product to the proper voltage in accordance with the specifications in this manual or on the product's specification label.
- Never connect the product to a dimmer pack or rheostat.
- Never disconnect this product by pulling or tugging on the power cable.

## Operation

- Do not operate this product if there is damage on the housing, lenses, or cables. Have the damaged parts replaced by an authorized technician at once.
- Do not cover the ventilation slots when operating to avoid internal overheating.
- The maximum ambient temperature is 113 °F (45 °C). Do not operate the product at higher temperatures.
- The minimum startup temperature is -4°F (-20°C). Do not start the product at lower temperatures.
- The minimum ambient temperature is -22°F (-30°C). Do not operate the product at lower temperatures.
- In the event of a serious operation problem, stop using this product immediately!



**If your Chauvet product requires service, contact Chauvet Technical Support.**

## Expected LED Lifespan

Over time, use and heat will gradually reduce LED brightness. Clustered LEDs produce more heat than single LEDs, contributing to shorter lifespans if always used at full intensity. The average LED lifespan is 40,000 to 50,000 hours. To extend LED lifespan, maintain proper ventilation around the product, and limit the overall intensity.

## 2. Introduction

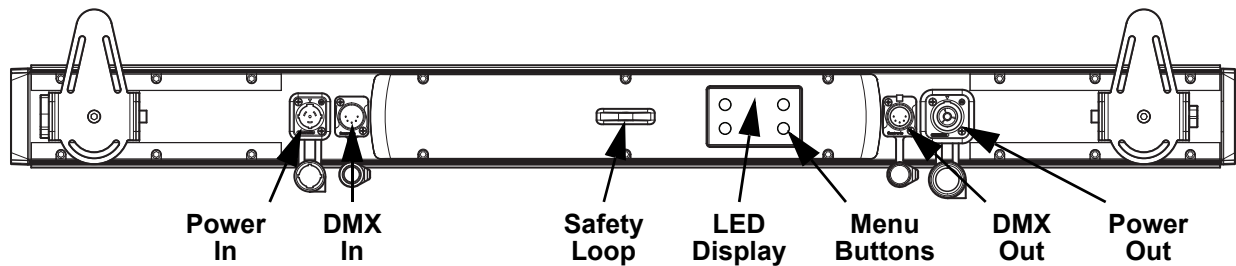
### Description

The COLORado Batten 72X is a powerful IP65 batten-style wash light powered by 72 calibrated RGBWA LEDs. The compact, tour-ready unit produces superb color rendering and a vast palette from soft pastels to saturated hues. Its 16-bit dimming capability, as well as five selectable dimming curves provides smooth fades and facilitate its incorporation into aging traditional rigs. Integrated trunnions accommodate clamps for vertical or horizontal hanging.

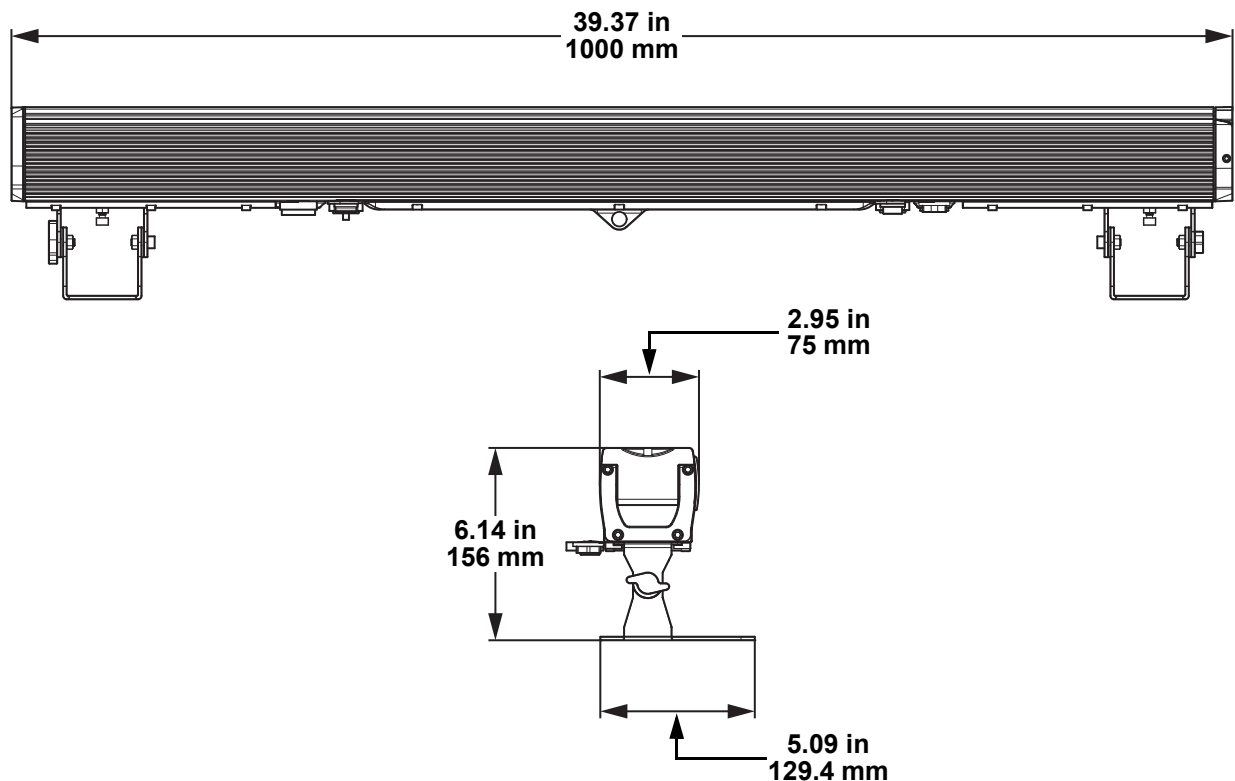
### Features

- RGBAW LED Batten for touring, rental, and production, indoors or out
- All environment operation with IP rated power, DMX, and Ethernet connections
- Color temperature presets, from 3200 K to 10000 K
- Selectable, smooth dimming curves for programming versatility
- Built for touring, live event, television, and theatrical productions
- Large, easy to navigate display with password protection

### Product Overview



### Product Dimensions



### 3. Setup

#### AC Power

The COLORado Batten 72X has an auto-ranging power supply and it can work with an input voltage range of 100 to 240 VAC, 50/60 Hz.

To determine the product's power requirements (circuit breaker, power outlet, and wiring), use the current value listed on the label affixed to the product's back panel, or refer to the product's specifications chart.

The listed current rating indicates the product's average current draw under normal conditions.



- **Always connect the product to a protected circuit (a circuit breaker or fuse). Make sure the product has an appropriate electrical ground to avoid the risk of electrocution or fire.**
- **To eliminate unnecessary wear and improve its lifespan, during periods of non-use completely disconnect the product from power via breaker or by unplugging it.**



**Never connect the product to a rheostat (variable resistor) or dimmer circuit, even if the rheostat or dimmer channel serves only as a 0 to 100% switch.**

#### AC Plug

The COLORado Batten 72X comes with a power input cord terminated with a Seetronic Powerkon A connector on one end and an Edison plug on the other end (U.S. market). If the power input cord that came with your product has no plug, or if you need to change the plug, use the table below to wire the new plug.

Connection	Wire (U.S.)	Wire (Europe)	Screw Color
AC Live	Black	Brown	Yellow or Brass
AC Neutral	White	Blue	Silver
AC Ground	Green/Yellow	Green/Yellow	Green

#### Power Linking

The product supports power linking. You can power link up to 2 products at 120 V; up to 4 at 208 V; or up to 5 at 230 V.

This product comes with a power input cord. Power linking cables are available from Chauvet for purchase.



- **To preserve the IP65 rating and the warranty of this product Seetronic Powerkon cables must be used.**
- **Insert the attached IP65 rated plugs into the corresponding power/data connections when not in use.**

#### DMX Linking

You can link the COLORado Batten 72X to a DMX controller using a 5-pin DMX connection. If using other DMX-compatible products with this product, you can control each individually with a single DMX controller.

#### DMX Personalities

The COLORado Batten 72X uses a 5-pin DMX data connection for its 18 control personalities, ranging from 3-channel to 43-channel in 1-cell modes and 3-cell modes:

	RGB	RGB EXT	RGBA	RGBA EXT	RGBAW	RGBAW EXT	RGBAW FIN	RGBAW FUL	HSIC
1-Cell	3	8	4	9	5	10	10	16	8
3-Cells	9	21	12	24	15	27	30	43	22

- Refer to the [Operation](#) chapter to learn how to configure the COLORado Batten 72X to work in these personalities.
- The [DMX Values](#) section provides detailed information regarding the control personalities.



**If you are not familiar with or need more information about DMX standards, Master/Slave connectivity, or the DMX cables needed to link this product to a DMX controller, download the DMX Primer from the Chauvet website: [www.chauvetprofessional.com](http://www.chauvetprofessional.com).**

#### Remote Device Management (RDM)

Remote Device Management, or RDM, is a standard for allowing DMX-enabled devices to communicate bi-directionally along existing DMX cabling. Check the DMX controller's User Manual or with the manufacturer as not all DMX controllers have this capability. The COLORado Batten 72X supports RDM protocol that allows feedback to make changes to menu map options.



## Master/Slave Connectivity

The Master/Slave mode allows an COLORado Batten 72X (the master) to control one or more COLORado Batten 72X products (the slaves) without a DMX controller. One COLORado Batten 72X becomes the master when running an auto program, or by being in Static mode.

You must configure each slave's control panel to operate in Slave mode. During Master/Slave operation, the slaves will operate in unison with the master.



**DO NOT connect a DMX controller to products operating in Master/Slave mode. The DMX controller signals may interfere with the signals from the master.**



- The [Operation](#) section of this manual provides detailed instructions on how to configure the master and slaves.
- If you are not familiar with or need more information about DMX standards, or the DMX cables needed to link this product to a DMX controller, download the DMX Primer from the Chauvet website: [www.chauvetprofessional.com](http://www.chauvetprofessional.com).

## Mounting

Before mounting the product, read and follow the safety recommendations indicated in the Safety Notes. For our CHAUVET Professional line of mounting clamps, go to <http://trusst.com/products/>.

### Orientation

Always mount this product in a safe position, making sure there is adequate room for ventilation, configuration, and maintenance.

### Rigging

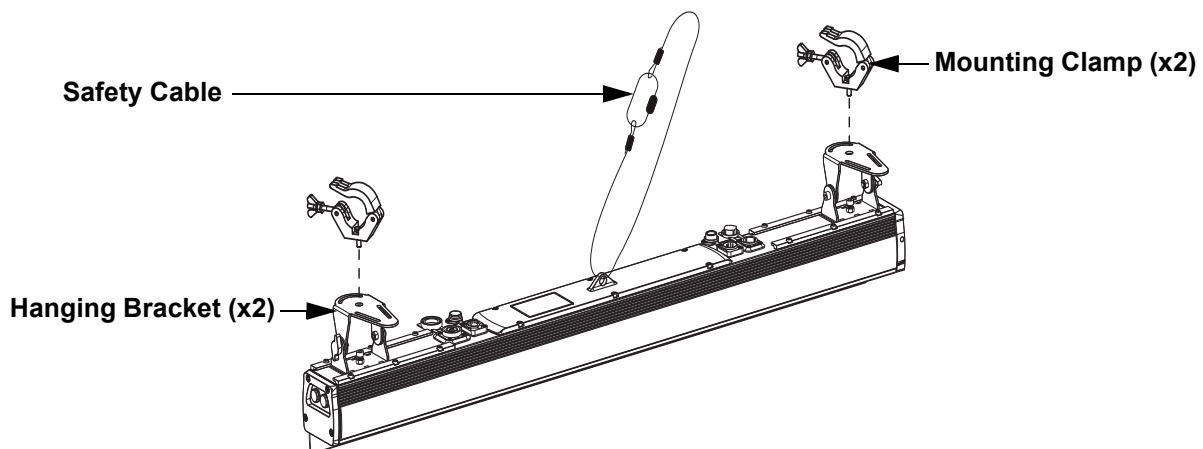
Chauvet recommends using the following general guidelines when mounting this product.

- Before deciding on a location for the product, make sure there is easy access to the product for maintenance and programming purposes.
- Make sure that the structure onto which you are mounting the product can support the product's weight. See the [Technical Specifications](#) for weight information.
- When mounting the product overhead, always use a safety cable. Mount the product securely to a rigging point, whether an elevated platform or a truss.
- When rigging the product onto a truss, use a mounting clamp of appropriate weight capacity.
- When power linking multiple products, mount the products close enough for power linking cables to reach.
- The bracket adjustment knobs allow for directional adjustment when aiming the product to the desired angle. Only loosen or tighten the bracket knobs manually. Using tools could damage the knobs.

### Procedure

The COLORado Batten 72X comes with a bracket to which you can attach a mounting clamp directly. Mounting clamps are sold separately. Make sure the clamps are capable of supporting the weight of this product. Use at least two mounting points per product. For the CHAUVET Professional line of mounting clamps, go to <http://www.trusst.com/products>.

### Mounting Diagram



## 4. Operation

### Control Panel Operation

Button	Function
<MENU>	Exits from the current menu or function
<UP>	Enables the currently displayed menu or sets the currently selected value in to the current function
<DOWN>	Navigates upward through the menu list or increases the numeric value when in a function
<ENTER>	Navigates downward through the menu list or decreases the numeric value when in a function

### Control Options

Set the COLORado Batten 72X starting address in the 001–512 DMX range. This enables control of up to 11 products in the 43-channel **3 RGBAW FUL** personality.

### Programming

Refer to the Menu Map to understand the menu options. The menu map shows the main level and a variable number of programming levels for each option.

- To go to the desired main level, press <MENU> repeatedly until the option shows on the display. Press <ENTER> to select. This will take you to the first programming level for that option.
- To select an option or value within the current programming level, press <UP> or <DOWN> until the option shows on the display. Press <ENTER> to select. In this case, if there is another programming level, you will see that first option, or you will see the selected value.
- Press <MENU> repeatedly to exit to the previous main level.

### Control Panel Lock

The setting locks or unlocks the control panel.

1. Go to the **Setting** main level.
2. After being prompted to enter the passcode, press <UP>, <DOWN>, <UP>, <DOWN>, <ENTER>.
3. Go to the **Disp Passcode** menu level.
4. Select **On** (locks control panel) or **Off** (control panel stays unlocked).



**When the control panel lock is activated, the product will prompt for the passcode in order to access the menu. Enter the passcode as described below.**

### Passcode

After being prompted to enter the passcode, press <UP>, <DOWN>, <UP>, <DOWN>, <ENTER>.

## Menu Map

Main Level	Programming Levels	Description
<b>Start Address</b>	<b>1–510*</b>	Selects DMX address (*highest channel restricted to personality chosen)
	<b>1 RGB</b>	3-channel: RGB
<b>Personality</b>	<b>1 RGB EXT</b>	8-channel: 16-bit Dimmer, RGB, Color Macro, Color Temperature, Strobe
	<b>1 RGBA</b>	4-channel: RGBA
	<b>1 RGBA EXT</b>	9-channel: 16-bit Dimmer, RGBA, Color Macro, Color Temperature, Strobe
	<b>1 RGBAW</b>	5-channel: RGBAW
	<b>1 RGBAW EXT</b>	10-channel: 16-bit Dimmer, RGBAW, Color Macro, Color Temperature, Strobe
	<b>1 RGBAW FIN</b>	10-channel: 16-bit RGBAW
	<b>1 RGBAW FUL</b>	16-channel: 16-bit Dimmer, 16-bit RGBAW, Color Macro, Color Temperature, Strobe, Dimmer Speed
	<b>1 HSIC</b>	8-channel: Dimmer, 16-bit Hue, Saturation, Strobe, Color Macro, Color Temperature, Dimmer Speed
	<b>3 RGB</b>	9-channel (3-cell): RGB
	<b>3 RGB EXT</b>	21-channel (3-cell): 16-bit Dimmer, RGB, Color Macro, Color Temperature, Strobe
	<b>3 RGBA</b>	12-channel (3-cell): RGBA
	<b>3 RGBA EXT</b>	24-channel (3-cell): 16-bit Dimmer, RGBA, Color Macro, Color Temperature, Strobe
	<b>3 RGBAW</b>	15-channel (3-cell): RGBAW
	<b>3 RGBAW EXT</b>	27-channel (3-cell): 16-bit Dimmer, RGBAW, Color Macro, Color Temperature, Strobe
	<b>3 RGBAW FIN</b>	30-channel (3-cell): 16-bit RGBAW
	<b>3 RGBAW FUL</b>	43-channel (3-cell): 16-bit Dimmer, 16-bit RGBAW, Color Macro, Color Temperature, Strobe, Dimmer Speed
	<b>3 HSIC</b>	22-channel (3-cell): Dimmer, 16-bit Hue, Saturation, Strobe, Color Macro, Color Temperature, Dimmer Speed
<b>Output Setting</b>	<b>Power Mode</b>	Avoids going over the maximum temperature by adjusting output intensity
	<b>Steady Mode</b>	Uses lower output intensity at a constant rate to avoid going over the maximum temperature
	<b>Legacy Mode</b>	Matches output intensity of COLORado Batten 72 Tour

Main Level	Programming Levels			Description
Static Colors	Preset Colors	Color 1–14	Dimmer 0–100%	Preset static colors
	CCT Temper	White 1–14		Preset color temperatures
	RGBAW	Red	Red 0–255	Combine red, green, blue, amber, and white to make a custom color
		Green	Green 0–255	
		Blue	Blue 0–255	
Amber		Amber 0–255		
White	White 0–255			
Auto Programs	Run	AUTO.1–10 Program 1–10	Speed 0–100	Selects automatic programs and program speed
	Edit	Program 1–10	SCENE-01–30	Selects and edits a custom program
Master/Slave	Master			DMX mode (Master)
	Slave			Slave mode
Dimmer Mode	OFF			Linear dimmer
	DIM1–4			Dimming curves DIM1 (fast) to DIM4 (slow)
LED Frequency	600Hz			Sets the PWM frequency
	1200Hz			
	2000Hz			
	2400Hz			
	4000Hz			
	25000Hz			
Cell Order	1 – 3			Sets order of cells
	3 – 1			
Setting	**** (Enter Passcode)	DMX Error/loss	Hold Last	Continues last command upon loss of DMX
			Blackout	Blacks out product upon loss of DMX
	Disp TimeOut	On	Display backlight always on	
		10s	Turns off display backlight after 10 seconds of inactivity	
		20s	Turns off display backlight after 20 seconds of inactivity	
	Disp Passcode	30s	Turns off display backlight after 30 seconds of inactivity	
On		Locks display (passcode is <UP>, <DOWN>, <UP>, <DOWN>, <ENTER>)		
Information	Fixture Hours		___ _ Hours	Shows total hours the product has been powered on
	Firmware Vers		V__	Shows current firmware version
	RDM	UID		Shows product UID
		LABEL	Batten 72X	Shows RDM label
Factory Reset	No			Resets the product to factory default settings
	Yes			

## Operation

### Configuration (DMX)

Use control configurations to operate the product with a DMX controller.

#### Control Personalities

This setting allows you to choose a particular control personality.

1. Go to the **DMX Channel** main level.
2. Select the desired personality (see table below).

	RGB	RGB EXT	RGBA	RGBA EXT	RGBAW	RGBAW EXT	RGBAW FIN	RGBAW FUL	HSIC
<b>1-Cell</b>	<b>3</b>	<b>8</b>	<b>4</b>	<b>9</b>	<b>5</b>	<b>10</b>	<b>10</b>	<b>16</b>	<b>8</b>
<b>3-Cells</b>	<b>9</b>	<b>21</b>	<b>12</b>	<b>24</b>	<b>15</b>	<b>27</b>	<b>30</b>	<b>43</b>	<b>22</b>



- See the [Starting Address](#) section for the highest starting address you can select for each personality.
- Make sure that the starting addresses on the various products do not overlap due to the new personality setting.

#### Starting Address

Each product will respond to a unique starting address from the DMX controller. All products with the same starting address will respond in unison.

1. Go to the **DMX Address** main level.
2. Select the starting address (**001–510**).

The highest recommended starting address for each DMX mode is as follows:

	RGB	RGB EXT	RGBA	RGBA EXT	RGBAW	RGBAW EXT	RGBAW FIN	RGBAW FUL	HSIC
<b>1-Cell</b>	<b>510</b>	<b>505</b>	<b>509</b>	<b>504</b>	<b>508</b>	<b>503</b>	<b>503</b>	<b>497</b>	<b>505</b>
<b>3-Cells</b>	<b>504</b>	<b>492</b>	<b>501</b>	<b>489</b>	<b>498</b>	<b>486</b>	<b>483</b>	<b>470</b>	<b>491</b>

### DMX Channel Assignments and Values

#### 3-Cell DMX Values

##### 3 HSIC (22 Channels)

Channel	Function	Value	Percent/Setting
<b>1</b>	<b>Dimmer 1</b>	000 ⇄ 255	0–100%
<b>2</b>	<b>Hue 1</b>	000 ⇄ 255	0–100%
<b>3</b>	<b>Fine Hue 1</b>	000 ⇄ 255	0–100%
<b>4</b>	<b>Saturation 1</b>	000 ⇄ 255	0–100%
<b>5</b>	<b>Strobe 1</b>	000 ⇄ 009	No function
		010 ⇄ 099	Strobe, slow to fast
		100 ⇄ 109	No function
		110 ⇄ 179	Pulse strobe, slow to fast
		180 ⇄ 189	No function
		190 ⇄ 255	Random strobe, slow to fast
<b>6</b>	<b>Color Macros 1</b>	000 ⇄ 010	No function
		011 ⇄ 034	R: 100% G: 0–100% B: 0% A: 0% W: 0%
		035 ⇄ 059	R: 100–0% G: 100% B: 0% A: 0% W: 0%
		060 ⇄ 084	R: 0% G: 100% B: 0–100% A: 0% W: 0%
		085 ⇄ 109	R: 0% G: 100–0% B: 100% A: 0% W: 0%
		110 ⇄ 134	R: 0–100% G: 0% B: 100% A: 0% W: 0%
		135 ⇄ 159	R: 100% G: 0% B: 100–0% A: 0% W: 0%
		160 ⇄ 184	R: 100% G: 0–100% B: 0–100% A: 0% W: 0%
		185 ⇄ 209	R: 100–0% G: 100–0% B: 100% A: 0% W: 0%
		210 ⇄ 255	R: 100% G: 100% B: 100% A: 100% W: 100%

Channel	Function	Value	Percent/Setting
7	Color Temperatures 1	000 ⇄ 010	No function
		011 ⇄ 028	White 1
		029 ⇄ 046	White 2
		047 ⇄ 064	White 3
		065 ⇄ 082	White 4
		083 ⇄ 100	White 5
		101 ⇄ 118	White 6
		119 ⇄ 136	White 7
		137 ⇄ 154	White 8
		155 ⇄ 172	White 9
		173 ⇄ 190	White 10
		191 ⇄ 208	White 11
		209 ⇄ 226	White 12
		227 ⇄ 244	White 13
245 ⇄ 255	White 14		
8	Dimmer 2	000 ⇄ 255	0–100%
9	Hue 2	000 ⇄ 255	0–100%
10	Fine Hue 2	000 ⇄ 255	0–100%
11	Saturation 2	000 ⇄ 255	0–100%
12	Strobe 2	000 ⇄ 009	No function
		010 ⇄ 099	Strobe, slow to fast
		100 ⇄ 109	No function
		110 ⇄ 179	Pulse strobe, slow to fast
		180 ⇄ 189	No function
		190 ⇄ 255	Random strobe, slow to fast
13	Color Macros 2	000 ⇄ 010	No function
		011 ⇄ 034	R: 100% G: 0–100% B: 0% A: 0% W: 0%
		035 ⇄ 059	R: 100–0% G: 100% B: 0% A: 0% W: 0%
		060 ⇄ 084	R: 0% G: 100% B: 0–100% A: 0% W: 0%
		085 ⇄ 109	R: 0% G: 100–0% B: 100% A: 0% W: 0%
		110 ⇄ 134	R: 0–100% G: 0% B: 100% A: 0% W: 0%
		135 ⇄ 159	R: 100% G: 0% B: 100–0% A: 0% W: 0%
		160 ⇄ 184	R: 100% G: 0–100% B: 0–100% A: 0% W: 0%
		185 ⇄ 209	R: 100–0% G: 100–0% B: 100% A: 0% W: 0%
		210 ⇄ 255	R: 100% G: 100% B: 100% A: 100% W: 100%
14	Color Temperatures 2	000 ⇄ 010	No function
		011 ⇄ 028	White 1
		029 ⇄ 046	White 2
		047 ⇄ 064	White 3
		065 ⇄ 082	White 4
		083 ⇄ 100	White 5
		101 ⇄ 118	White 6
		119 ⇄ 136	White 7
		137 ⇄ 154	White 8
		155 ⇄ 172	White 9
		173 ⇄ 190	White 10
		191 ⇄ 208	White 11
		209 ⇄ 226	White 12
		227 ⇄ 244	White 13
245 ⇄ 255	White 14		
15	Dimmer 3	000 ⇄ 255	0–100%
16	Hue 3	000 ⇄ 255	0–100%
17	Fine Hue 3	000 ⇄ 255	0–100%
18	Saturation 3	000 ⇄ 255	0–100%

## Operation

Channel	Function	Value	Percent/Setting
19	Strobe 3	000 ⇄ 009	No function
		010 ⇄ 099	Strobe, slow to fast
		100 ⇄ 109	No function
		110 ⇄ 179	Pulse strobe, slow to fast
		180 ⇄ 189	No function
		190 ⇄ 255	Random strobe, slow to fast
20	Color Macros 3	000 ⇄ 010	No function
		011 ⇄ 034	R: 100% G: 0–100% B: 0% A: 0% W: 0%
		035 ⇄ 059	R: 100–0% G: 100% B: 0% A: 0% W: 0%
		060 ⇄ 084	R: 0% G: 100% B: 0–100% A: 0% W: 0%
		085 ⇄ 109	R: 0% G: 100–0% B: 100% A: 0% W: 0%
		110 ⇄ 134	R: 0–100% G: 0% B: 100% A: 0% W: 0%
		135 ⇄ 159	R: 100% G: 0% B: 100–0% A: 0% W: 0%
		160 ⇄ 184	R: 100% G: 0–100% B: 0–100% A: 0% W: 0%
		185 ⇄ 209	R: 100–0% G: 100–0% B: 100% A: 0% W: 0%
		210 ⇄ 255	R: 100% G: 100% B: 100% A: 100% W: 100%
21	Color Temperatures 3	000 ⇄ 010	No function
		011 ⇄ 028	White 1
		029 ⇄ 046	White 2
		047 ⇄ 064	White 3
		065 ⇄ 082	White 4
		083 ⇄ 100	White 5
		101 ⇄ 118	White 6
		119 ⇄ 136	White 7
		137 ⇄ 154	White 8
		155 ⇄ 172	White 9
		173 ⇄ 190	White 10
		191 ⇄ 208	White 11
		209 ⇄ 226	White 12
		227 ⇄ 244	White 13
245 ⇄ 255	White 14		
22	Dimmer Speed	000 ⇄ 009	Preset dimmer speed from display menu
		010 ⇄ 029	Dimmer speed mode off
		030 ⇄ 069	Dimmer speed mode 1 (fastest)
		070 ⇄ 129	Dimmer speed mode 2
		130 ⇄ 189	Dimmer speed mode 3
		190 ⇄ 255	Dimmer speed mode 4 (slowest)

### 3 RGBAW FUL (43 Channels)

Channel	Function	Value	Percent/Setting
1	Dimmer	000 ⇄ 255	0–100%
2	Fine Dimmer	000 ⇄ 255	0–100%
3	Red 1	000 ⇄ 255	0–100%
4	Fine Red 1	000 ⇄ 255	0–100%
5	Green 1	000 ⇄ 255	0–100%
6	Fine Green 1	000 ⇄ 255	0–100%
7	Blue 1	000 ⇄ 255	0–100%
8	Fine Blue 1	000 ⇄ 255	0–100%
9	Amber 1	000 ⇄ 255	0–100%
10	Fine Amber 1	000 ⇄ 255	0–100%
11	White 1	000 ⇄ 255	0–100%
12	Fine White 1	000 ⇄ 255	0–100%

Channel	Function	Value	Percent/Setting
13	Color Macros 1	000 ⇄ 010	No function
		011 ⇄ 034	R: 100% G: 0–100% B: 0% A: 0% W: 0%
		035 ⇄ 059	R: 100–0% G: 100% B: 0% A: 0% W: 0%
		060 ⇄ 084	R: 0% G: 100% B: 0–100% A: 0% W: 0%
		085 ⇄ 109	R: 0% G: 100–0% B: 100% A: 0% W: 0%
		110 ⇄ 134	R: 0–100% G: 0% B: 100% A: 0% W: 0%
		135 ⇄ 159	R: 100% G: 0% B: 100–0% A: 0% W: 0%
		160 ⇄ 184	R: 100% G: 0–100% B: 0–100% A: 0% W: 0%
		185 ⇄ 209	R: 100–0% G: 100–0% B: 100% A: 0% W: 0%
		210 ⇄ 255	R: 100% G: 100% B: 100% A: 100% W: 100%
14	Color Temperatures 1	000 ⇄ 010	No function
		011 ⇄ 028	White 1
		029 ⇄ 046	White 2
		047 ⇄ 064	White 3
		065 ⇄ 082	White 4
		083 ⇄ 100	White 5
		101 ⇄ 118	White 6
		119 ⇄ 136	White 7
		137 ⇄ 154	White 8
		155 ⇄ 172	White 9
		173 ⇄ 190	White 10
		191 ⇄ 208	White 11
		209 ⇄ 226	White 12
		227 ⇄ 244	White 13
245 ⇄ 255	White 14		
15	Strobe 1	000 ⇄ 009	No function
		010 ⇄ 099	Strobe, slow to fast
		100 ⇄ 109	No function
		110 ⇄ 179	Pulse strobe, slow to fast
		180 ⇄ 189	No function
		190 ⇄ 255	Random strobe, slow to fast
16	Red 2	000 ⇄ 255	0–100%
17	Fine Red 2	000 ⇄ 255	0–100%
18	Green 2	000 ⇄ 255	0–100%
19	Fine Green 2	000 ⇄ 255	0–100%
20	Blue 2	000 ⇄ 255	0–100%
21	Fine Blue 2	000 ⇄ 255	0–100%
22	Amber 2	000 ⇄ 255	0–100%
23	Fine Amber 2	000 ⇄ 255	0–100%
24	White 2	000 ⇄ 255	0–100%
25	Fine White 2	000 ⇄ 255	0–100%
26	Color Macros 2	000 ⇄ 010	No function
		011 ⇄ 034	R: 100% G: 0–100% B: 0% A: 0% W: 0%
		035 ⇄ 059	R: 100–0% G: 100% B: 0% A: 0% W: 0%
		060 ⇄ 084	R: 0% G: 100% B: 0–100% A: 0% W: 0%
		085 ⇄ 109	R: 0% G: 100–0% B: 100% A: 0% W: 0%
		110 ⇄ 134	R: 0–100% G: 0% B: 100% A: 0% W: 0%
		135 ⇄ 159	R: 100% G: 0% B: 100–0% A: 0% W: 0%
		160 ⇄ 184	R: 100% G: 0–100% B: 0–100% A: 0% W: 0%
		185 ⇄ 209	R: 100–0% G: 100–0% B: 100% A: 0% W: 0%
		210 ⇄ 255	R: 100% G: 100% B: 100% A: 100% W: 100%



Channel	Function	Value	Percent/Setting
27	Color Temperatures 2	000 ⇄ 010	No function
		011 ⇄ 028	White 1
		029 ⇄ 046	White 2
		047 ⇄ 064	White 3
		065 ⇄ 082	White 4
		083 ⇄ 100	White 5
		101 ⇄ 118	White 6
		119 ⇄ 136	White 7
		137 ⇄ 154	White 8
		155 ⇄ 172	White 9
		173 ⇄ 190	White 10
		191 ⇄ 208	White 11
		209 ⇄ 226	White 12
		227 ⇄ 244	White 13
245 ⇄ 255	White 14		
28	Strobe 2	000 ⇄ 009	No function
		010 ⇄ 099	Strobe, slow to fast
		100 ⇄ 109	No function
		110 ⇄ 179	Pulse strobe, slow to fast
		180 ⇄ 189	No function
		190 ⇄ 255	Random strobe, slow to fast
29	Red 3	000 ⇄ 255	0–100%
30	Fine Red 3	000 ⇄ 255	0–100%
31	Green 3	000 ⇄ 255	0–100%
32	Fine Green 3	000 ⇄ 255	0–100%
33	Blue 3	000 ⇄ 255	0–100%
34	Fine Blue 3	000 ⇄ 255	0–100%
35	Amber 3	000 ⇄ 255	0–100%
36	Fine Amber 3	000 ⇄ 255	0–100%
37	White 3	000 ⇄ 255	0–100%
38	Fine White 3	000 ⇄ 255	0–100%
39	Color Macros 3	000 ⇄ 010	No function
		011 ⇄ 034	R: 100% G: 0–100% B: 0% A: 0% W: 0%
		035 ⇄ 059	R: 100–0% G: 100% B: 0% A: 0% W: 0%
		060 ⇄ 084	R: 0% G: 100% B: 0–100% A: 0% W: 0%
		085 ⇄ 109	R: 0% G: 100–0% B: 100% A: 0% W: 0%
		110 ⇄ 134	R: 0–100% G: 0% B: 100% A: 0% W: 0%
		135 ⇄ 159	R: 100% G: 0% B: 100–0% A: 0% W: 0%
		160 ⇄ 184	R: 100% G: 0–100% B: 0–100% A: 0% W: 0%
		185 ⇄ 209	R: 100–0% G: 100–0% B: 100% A: 0% W: 0%
		210 ⇄ 255	R: 100% G: 100% B: 100% A: 100% W: 100%

Channel	Function	Value	Percent/Setting
40	Color Temperatures 3	000 ⇄ 010	No function
		011 ⇄ 028	White 1
		029 ⇄ 046	White 2
		047 ⇄ 064	White 3
		065 ⇄ 082	White 4
		083 ⇄ 100	White 5
		101 ⇄ 118	White 6
		119 ⇄ 136	White 7
		137 ⇄ 154	White 8
		155 ⇄ 172	White 9
		173 ⇄ 190	White 10
		191 ⇄ 208	White 11
		209 ⇄ 226	White 12
		227 ⇄ 244	White 13
245 ⇄ 255	White 14		
41	Strobe 3	000 ⇄ 009	No function
		010 ⇄ 099	Strobe, slow to fast
		100 ⇄ 109	No function
		110 ⇄ 179	Pulse strobe, slow to fast
		180 ⇄ 189	No function
		190 ⇄ 255	Random strobe, slow to fast
42	Strobe All	000 ⇄ 009	No function
		010 ⇄ 099	Strobe, slow to fast
		100 ⇄ 109	No function
		110 ⇄ 179	Pulse strobe, slow to fast
		180 ⇄ 189	No function
		190 ⇄ 255	Random strobe, slow to fast
43	Dimmer Speed	000 ⇄ 009	Preset dimmer speed from display menu
		010 ⇄ 029	Dimmer speed mode off
		030 ⇄ 069	Dimmer speed mode 1 (fastest)
		070 ⇄ 129	Dimmer speed mode 2
		130 ⇄ 189	Dimmer speed mode 3
		190 ⇄ 255	Dimmer speed mode 4 (slowest)

**3 RGBAW FIN (30 Channels)**

Channel	Function	Value	Percent/Setting
1	Red 1	000 ⇄ 255	0–100%
2	Fine Red 1	000 ⇄ 255	0–100%
3	Green 1	000 ⇄ 255	0–100%
4	Fine Green 1	000 ⇄ 255	0–100%
5	Blue 1	000 ⇄ 255	0–100%
6	Fine Blue 1	000 ⇄ 255	0–100%
7	Amber 1	000 ⇄ 255	0–100%
8	Fine Amber 1	000 ⇄ 255	0–100%
9	White 1	000 ⇄ 255	0–100%
10	Fine White 1	000 ⇄ 255	0–100%
11	Red 2	000 ⇄ 255	0–100%
12	Fine Red 2	000 ⇄ 255	0–100%
13	Green 2	000 ⇄ 255	0–100%
14	Fine Green 2	000 ⇄ 255	0–100%
15	Blue 2	000 ⇄ 255	0–100%
16	Fine Blue 2	000 ⇄ 255	0–100%
17	Amber 2	000 ⇄ 255	0–100%

## Operation

Channel	Function	Value	Percent/Setting
18	Fine Amber 2	000 ⇄ 255	0–100%
19	White 2	000 ⇄ 255	0–100%
20	Fine White 2	000 ⇄ 255	0–100%
21	Red 3	000 ⇄ 255	0–100%
22	Fine Red 3	000 ⇄ 255	0–100%
23	Green 3	000 ⇄ 255	0–100%
24	Fine Green 3	000 ⇄ 255	0–100%
25	Blue 3	000 ⇄ 255	0–100%
26	Fine Blue 3	000 ⇄ 255	0–100%
27	Amber 3	000 ⇄ 255	0–100%
28	Fine Amber 3	000 ⇄ 255	0–100%
29	White 3	000 ⇄ 255	0–100%
30	Fine White 3	000 ⇄ 255	0–100%

### 3 RGBAW EXT (27 Channels)

Channel	Function	Value	Percent/Setting
1	Dimmer	000 ⇄ 255	0–100%
2	Fine Dimmer	000 ⇄ 255	0–100%
3	Red 1	000 ⇄ 255	0–100%
4	Green 1	000 ⇄ 255	0–100%
5	Blue 1	000 ⇄ 255	0–100%
6	Amber 1	000 ⇄ 255	0–100%
7	White 1	000 ⇄ 255	0–100%
8	Color Macros 1	000 ⇄ 010	No function
		011 ⇄ 034	R: 100% G: 0–100% B: 0% A: 0% W: 0%
		035 ⇄ 059	R: 100–0% G: 100% B: 0% A: 0% W: 0%
		060 ⇄ 084	R: 0% G: 100% B: 0–100% A: 0% W: 0%
		085 ⇄ 109	R: 0% G: 100–0% B: 100% A: 0% W: 0%
		110 ⇄ 134	R: 0–100% G: 0% B: 100% A: 0% W: 0%
		135 ⇄ 159	R: 100% G: 0% B: 100–0% A: 0% W: 0%
		160 ⇄ 184	R: 100% G: 0–100% B: 0–100% A: 0% W: 0%
		185 ⇄ 209	R: 100–0% G: 100–0% B: 100% A: 0% W: 0%
		210 ⇄ 255	R: 100% G: 100% B: 100% A: 100% W: 100%
9	Color Temperatures 1	000 ⇄ 010	No function
		011 ⇄ 028	White 1
		029 ⇄ 046	White 2
		047 ⇄ 064	White 3
		065 ⇄ 082	White 4
		083 ⇄ 100	White 5
		101 ⇄ 118	White 6
		119 ⇄ 136	White 7
		137 ⇄ 154	White 8
		155 ⇄ 172	White 9
		173 ⇄ 190	White 10
		191 ⇄ 208	White 11
		209 ⇄ 226	White 12
		227 ⇄ 244	White 13
245 ⇄ 255	White 14		

Channel	Function	Value	Percent/Setting
10	Strobe 1	000 ⇄ 009	No function
		010 ⇄ 099	Strobe, slow to fast
		100 ⇄ 109	No function
		110 ⇄ 179	Pulse strobe, slow to fast
		180 ⇄ 189	No function
		190 ⇄ 255	Random strobe, slow to fast
11	Red 2	000 ⇄ 255	0–100%
12	Green 2	000 ⇄ 255	0–100%
13	Blue 2	000 ⇄ 255	0–100%
14	Amber 2	000 ⇄ 255	0–100%
15	White 2	000 ⇄ 255	0–100%
16	Color Macros 2	000 ⇄ 010	No function
		011 ⇄ 034	R: 100% G: 0–100% B: 0% A: 0% W: 0%
		035 ⇄ 059	R: 100–0% G: 100% B: 0% A: 0% W: 0%
		060 ⇄ 084	R: 0% G: 100% B: 0–100% A: 0% W: 0%
		085 ⇄ 109	R: 0% G: 100–0% B: 100% A: 0% W: 0%
		110 ⇄ 134	R: 0–100% G: 0% B: 100% A: 0% W: 0%
		135 ⇄ 159	R: 100% G: 0% B: 100–0% A: 0% W: 0%
		160 ⇄ 184	R: 100% G: 0–100% B: 0–100% A: 0% W: 0%
		185 ⇄ 209	R: 100–0% G: 100–0% B: 100% A: 0% W: 0%
		210 ⇄ 255	R: 100% G: 100% B: 100% A: 100% W: 100%
17	Color Temperatures 2	000 ⇄ 010	No function
		011 ⇄ 028	White 1
		029 ⇄ 046	White 2
		047 ⇄ 064	White 3
		065 ⇄ 082	White 4
		083 ⇄ 100	White 5
		101 ⇄ 118	White 6
		119 ⇄ 136	White 7
		137 ⇄ 154	White 8
		155 ⇄ 172	White 9
		173 ⇄ 190	White 10
		191 ⇄ 208	White 11
		209 ⇄ 226	White 12
		227 ⇄ 244	White 13
		245 ⇄ 255	White 14
18	Strobe 2	000 ⇄ 009	No function
		010 ⇄ 099	Strobe, slow to fast
		100 ⇄ 109	No function
		110 ⇄ 179	Pulse strobe, slow to fast
		180 ⇄ 189	No function
		190 ⇄ 255	Random strobe, slow to fast
19	Red 3	000 ⇄ 255	0–100%
20	Green 3	000 ⇄ 255	0–100%
21	Blue 3	000 ⇄ 255	0–100%
22	Amber 3	000 ⇄ 255	0–100%
23	White 3	000 ⇄ 255	0–100%

## Operation

Channel	Function	Value	Percent/Setting
24	Color Macros 3	000 ⇄ 010	No function
		011 ⇄ 034	R: 100% G: 0–100% B: 0% A: 0% W: 0%
		035 ⇄ 059	R: 100–0% G: 100% B: 0% A: 0% W: 0%
		060 ⇄ 084	R: 0% G: 100% B: 0–100% A: 0% W: 0%
		085 ⇄ 109	R: 0% G: 100–0% B: 100% A: 0% W: 0%
		110 ⇄ 134	R: 0–100% G: 0% B: 100% A: 0% W: 0%
		135 ⇄ 159	R: 100% G: 0% B: 100–0% A: 0% W: 0%
		160 ⇄ 184	R: 100% G: 0–100% B: 0–100% A: 0% W: 0%
		185 ⇄ 209	R: 100–0% G: 100–0% B: 100% A: 0% W: 0%
		210 ⇄ 255	R: 100% G: 100% B: 100% A: 100% W: 100%
25	Color Temperatures 3	000 ⇄ 010	No function
		011 ⇄ 028	White 1
		029 ⇄ 046	White 2
		047 ⇄ 064	White 3
		065 ⇄ 082	White 4
		083 ⇄ 100	White 5
		101 ⇄ 118	White 6
		119 ⇄ 136	White 7
		137 ⇄ 154	White 8
		155 ⇄ 172	White 9
		173 ⇄ 190	White 10
		191 ⇄ 208	White 11
		209 ⇄ 226	White 12
		227 ⇄ 244	White 13
245 ⇄ 255	White 14		
26	Strobe 3	000 ⇄ 009	No function
		010 ⇄ 099	Strobe, slow to fast
		100 ⇄ 109	No function
		110 ⇄ 179	Pulse strobe, slow to fast
		180 ⇄ 189	No function
		190 ⇄ 255	Random strobe, slow to fast
27	Strobe All	000 ⇄ 009	No function
		010 ⇄ 099	Strobe, slow to fast
		100 ⇄ 109	No function
		110 ⇄ 179	Pulse strobe, slow to fast
		180 ⇄ 189	No function
		190 ⇄ 255	Random strobe, slow to fast

**3 RGBAW (15 Channels)**

Channel	Function	Value	Percent/Setting
1	Red 1	000 ⇄ 255	0–100%
2	Green 1	000 ⇄ 255	0–100%
3	Blue 1	000 ⇄ 255	0–100%
4	Amber 1	000 ⇄ 255	0–100%
5	White 1	000 ⇄ 255	0–100%
6	Red 2	000 ⇄ 255	0–100%
7	Green 2	000 ⇄ 255	0–100%
8	Blue 2	000 ⇄ 255	0–100%
9	Amber 2	000 ⇄ 255	0–100%
10	White 2	000 ⇄ 255	0–100%
11	Red 3	000 ⇄ 255	0–100%
12	Green 3	000 ⇄ 255	0–100%
13	Blue 3	000 ⇄ 255	0–100%
14	Amber 3	000 ⇄ 255	0–100%
15	White 3	000 ⇄ 255	0–100%

**3 RGBA EXT (24 Channels)**

Channel	Function	Value	Percent/Setting
1	Dimmer	000 ⇄ 255	0–100%
2	Fine Dimmer	000 ⇄ 255	0–100%
3	Red 1	000 ⇄ 255	0–100%
4	Green 1	000 ⇄ 255	0–100%
5	Blue 1	000 ⇄ 255	0–100%
6	Amber 1	000 ⇄ 255	0–100%
7	Color Macros 1	000 ⇄ 010	No function
		011 ⇄ 034	R: 100% G: 0–100% B: 0% A: 0% W: 0%
		035 ⇄ 059	R: 100–0% G: 100% B: 0% A: 0% W: 0%
		060 ⇄ 084	R: 0% G: 100% B: 0–100% A: 0% W: 0%
		085 ⇄ 109	R: 0% G: 100–0% B: 100% A: 0% W: 0%
		110 ⇄ 134	R: 0–100% G: 0% B: 100% A: 0% W: 0%
		135 ⇄ 159	R: 100% G: 0% B: 100–0% A: 0% W: 0%
		160 ⇄ 184	R: 100% G: 0–100% B: 0–100% A: 0% W: 0%
		185 ⇄ 209	R: 100–0% G: 100–0% B: 100% A: 0% W: 0%
		210 ⇄ 255	R: 100% G: 100% B: 100% A: 100% W: 100%
8	Color Temperatures 1	000 ⇄ 010	No function
		011 ⇄ 028	White 1
		029 ⇄ 046	White 2
		047 ⇄ 064	White 3
		065 ⇄ 082	White 4
		083 ⇄ 100	White 5
		101 ⇄ 118	White 6
		119 ⇄ 136	White 7
		137 ⇄ 154	White 8
		155 ⇄ 172	White 9
		173 ⇄ 190	White 10
		191 ⇄ 208	White 11
		209 ⇄ 226	White 12
		227 ⇄ 244	White 13
245 ⇄ 255	White 14		

## Operation

Channel	Function	Value	Percent/Setting
9	Strobe 1	000 ⇄ 009	No function
		010 ⇄ 099	Strobe, slow to fast
		100 ⇄ 109	No function
		110 ⇄ 179	Pulse strobe, slow to fast
		180 ⇄ 189	No function
		190 ⇄ 255	Random strobe, slow to fast
10	Red 2	000 ⇄ 255	0–100%
11	Green 2	000 ⇄ 255	0–100%
12	Blue 2	000 ⇄ 255	0–100%
13	Amber 2	000 ⇄ 255	0–100%
14	Color Macros 2	000 ⇄ 010	No function
		011 ⇄ 034	R: 100% G: 0–100% B: 0% A: 0% W: 0%
		035 ⇄ 059	R: 100–0% G: 100% B: 0% A: 0% W: 0%
		060 ⇄ 084	R: 0% G: 100% B: 0–100% A: 0% W: 0%
		085 ⇄ 109	R: 0% G: 100–0% B: 100% A: 0% W: 0%
		110 ⇄ 134	R: 0–100% G: 0% B: 100% A: 0% W: 0%
		135 ⇄ 159	R: 100% G: 0% B: 100–0% A: 0% W: 0%
		160 ⇄ 184	R: 100% G: 0–100% B: 0–100% A: 0% W: 0%
		185 ⇄ 209	R: 100–0% G: 100–0% B: 100% A: 0% W: 0%
		210 ⇄ 255	R: 100% G: 100% B: 100% A: 100% W: 100%
15	Color Temperatures 2	000 ⇄ 010	No function
		011 ⇄ 028	White 1
		029 ⇄ 046	White 2
		047 ⇄ 064	White 3
		065 ⇄ 082	White 4
		083 ⇄ 100	White 5
		101 ⇄ 118	White 6
		119 ⇄ 136	White 7
		137 ⇄ 154	White 8
		155 ⇄ 172	White 9
		173 ⇄ 190	White 10
		191 ⇄ 208	White 11
		209 ⇄ 226	White 12
		227 ⇄ 244	White 13
		245 ⇄ 255	White 14
16	Strobe 2	000 ⇄ 009	No function
		010 ⇄ 099	Strobe, slow to fast
		100 ⇄ 109	No function
		110 ⇄ 179	Pulse strobe, slow to fast
		180 ⇄ 189	No function
		190 ⇄ 255	Random strobe, slow to fast
17	Red 3	000 ⇄ 255	0–100%
18	Green 3	000 ⇄ 255	0–100%
19	Blue 3	000 ⇄ 255	0–100%
20	Amber 3	000 ⇄ 255	0–100%

Channel	Function	Value	Percent/Setting
21	Color Macros 3	000 ⇔ 010	No function
		011 ⇔ 034	R: 100% G: 0–100% B: 0% A: 0% W: 0%
		035 ⇔ 059	R: 100–0% G: 100% B: 0% A: 0% W: 0%
		060 ⇔ 084	R: 0% G: 100% B: 0–100% A: 0% W: 0%
		085 ⇔ 109	R: 0% G: 100–0% B: 100% A: 0% W: 0%
		110 ⇔ 134	R: 0–100% G: 0% B: 100% A: 0% W: 0%
		135 ⇔ 159	R: 100% G: 0% B: 100–0% A: 0% W: 0%
		160 ⇔ 184	R: 100% G: 0–100% B: 0–100% A: 0% W: 0%
		185 ⇔ 209	R: 100–0% G: 100–0% B: 100% A: 0% W: 0%
		210 ⇔ 255	R: 100% G: 100% B: 100% A: 100% W: 100%
22	Color Temperatures 3	000 ⇔ 010	No function
		011 ⇔ 028	White 1
		029 ⇔ 046	White 2
		047 ⇔ 064	White 3
		065 ⇔ 082	White 4
		083 ⇔ 100	White 5
		101 ⇔ 118	White 6
		119 ⇔ 136	White 7
		137 ⇔ 154	White 8
		155 ⇔ 172	White 9
		173 ⇔ 190	White 10
		191 ⇔ 208	White 11
		209 ⇔ 226	White 12
		227 ⇔ 244	White 13
245 ⇔ 255	White 14		
23	Strobe 3	000 ⇔ 009	No function
		010 ⇔ 099	Strobe, slow to fast
		100 ⇔ 109	No function
		110 ⇔ 179	Pulse strobe, slow to fast
		180 ⇔ 189	No function
		190 ⇔ 255	Random strobe, slow to fast
24	Strobe All	000 ⇔ 009	No function
		010 ⇔ 099	Strobe, slow to fast
		100 ⇔ 109	No function
		110 ⇔ 179	Pulse strobe, slow to fast
		180 ⇔ 189	No function
		190 ⇔ 255	Random strobe, slow to fast

**3 RGBA (12 Channels)**

Channel	Function	Value	Percent/Setting
1	Red 1	000 ⇔ 255	0–100%
2	Green 1	000 ⇔ 255	0–100%
3	Blue 1	000 ⇔ 255	0–100%
4	Amber 1	000 ⇔ 255	0–100%
5	Red 2	000 ⇔ 255	0–100%
6	Green 2	000 ⇔ 255	0–100%
7	Blue 2	000 ⇔ 255	0–100%
8	Amber 2	000 ⇔ 255	0–100%
9	Red 3	000 ⇔ 255	0–100%
10	Green 3	000 ⇔ 255	0–100%
11	Blue 3	000 ⇔ 255	0–100%
12	Amber 3	000 ⇔ 255	0–100%



## Operation

### 3 RGB EXT (21 Channels)

Channel	Function	Value	Percent/Setting
1	Dimmer	000 ⇔ 255	0–100%
2	Fine Dimmer	000 ⇔ 255	0–100%
3	Red 1	000 ⇔ 255	0–100%
4	Green 1	000 ⇔ 255	0–100%
5	Blue 1	000 ⇔ 255	0–100%
6	Color Macros 1	000 ⇔ 010	No function
		011 ⇔ 034	R: 100% G: 0–100% B: 0% A: 0% W: 0%
		035 ⇔ 059	R: 100–0% G: 100% B: 0% A: 0% W: 0%
		060 ⇔ 084	R: 0% G: 100% B: 0–100% A: 0% W: 0%
		085 ⇔ 109	R: 0% G: 100–0% B: 100% A: 0% W: 0%
		110 ⇔ 134	R: 0–100% G: 0% B: 100% A: 0% W: 0%
		135 ⇔ 159	R: 100% G: 0% B: 100–0% A: 0% W: 0%
		160 ⇔ 184	R: 100% G: 0–100% B: 0–100% A: 0% W: 0%
		185 ⇔ 209	R: 100–0% G: 100–0% B: 100% A: 0% W: 0%
		210 ⇔ 255	R: 100% G: 100% B: 100% A: 100% W: 100%
7	Color Temperatures 1	000 ⇔ 010	No function
		011 ⇔ 028	White 1
		029 ⇔ 046	White 2
		047 ⇔ 064	White 3
		065 ⇔ 082	White 4
		083 ⇔ 100	White 5
		101 ⇔ 118	White 6
		119 ⇔ 136	White 7
		137 ⇔ 154	White 8
		155 ⇔ 172	White 9
		173 ⇔ 190	White 10
		191 ⇔ 208	White 11
		209 ⇔ 226	White 12
		227 ⇔ 244	White 13
245 ⇔ 255	White 14		
8	Strobe 1	000 ⇔ 009	No function
		010 ⇔ 099	Strobe, slow to fast
		100 ⇔ 109	No function
		110 ⇔ 179	Pulse strobe, slow to fast
		180 ⇔ 189	No function
		190 ⇔ 255	Random strobe, slow to fast
9	Red 2	000 ⇔ 255	0–100%
10	Green 2	000 ⇔ 255	0–100%
11	Blue 2	000 ⇔ 255	0–100%
12	Color Macros 2	000 ⇔ 010	No function
		011 ⇔ 034	R: 100% G: 0–100% B: 0% A: 0% W: 0%
		035 ⇔ 059	R: 100–0% G: 100% B: 0% A: 0% W: 0%
		060 ⇔ 084	R: 0% G: 100% B: 0–100% A: 0% W: 0%
		085 ⇔ 109	R: 0% G: 100–0% B: 100% A: 0% W: 0%
		110 ⇔ 134	R: 0–100% G: 0% B: 100% A: 0% W: 0%
		135 ⇔ 159	R: 100% G: 0% B: 100–0% A: 0% W: 0%
		160 ⇔ 184	R: 100% G: 0–100% B: 0–100% A: 0% W: 0%
		185 ⇔ 209	R: 100–0% G: 100–0% B: 100% A: 0% W: 0%
		210 ⇔ 255	R: 100% G: 100% B: 100% A: 100% W: 100%

Channel	Function	Value	Percent/Setting
13	Color Temperatures 2	000 ⇄ 010	No function
		011 ⇄ 028	White 1
		029 ⇄ 046	White 2
		047 ⇄ 064	White 3
		065 ⇄ 082	White 4
		083 ⇄ 100	White 5
		101 ⇄ 118	White 6
		119 ⇄ 136	White 7
		137 ⇄ 154	White 8
		155 ⇄ 172	White 9
		173 ⇄ 190	White 10
		191 ⇄ 208	White 11
		209 ⇄ 226	White 12
		227 ⇄ 244	White 13
245 ⇄ 255	White 14		
14	Strobe 2	000 ⇄ 009	No function
		010 ⇄ 099	Strobe, slow to fast
		100 ⇄ 109	No function
		110 ⇄ 179	Pulse strobe, slow to fast
		180 ⇄ 189	No function
		190 ⇄ 255	Random strobe, slow to fast
15	Red 3	000 ⇄ 255	0–100%
16	Green 3	000 ⇄ 255	0–100%
17	Blue 3	000 ⇄ 255	0–100%
18	Color Macros 3	000 ⇄ 010	No function
		011 ⇄ 034	R: 100% G: 0–100% B: 0% A: 0% W: 0%
		035 ⇄ 059	R: 100–0% G: 100% B: 0% A: 0% W: 0%
		060 ⇄ 084	R: 0% G: 100% B: 0–100% A: 0% W: 0%
		085 ⇄ 109	R: 0% G: 100–0% B: 100% A: 0% W: 0%
		110 ⇄ 134	R: 0–100% G: 0% B: 100% A: 0% W: 0%
		135 ⇄ 159	R: 100% G: 0% B: 100–0% A: 0% W: 0%
		160 ⇄ 184	R: 100% G: 0–100% B: 0–100% A: 0% W: 0%
		185 ⇄ 209	R: 100–0% G: 100–0% B: 100% A: 0% W: 0%
210 ⇄ 255	R: 100% G: 100% B: 100% A: 100% W: 100%		
19	Color Temperatures 3	000 ⇄ 010	No function
		011 ⇄ 028	White 1
		029 ⇄ 046	White 2
		047 ⇄ 064	White 3
		065 ⇄ 082	White 4
		083 ⇄ 100	White 5
		101 ⇄ 118	White 6
		119 ⇄ 136	White 7
		137 ⇄ 154	White 8
		155 ⇄ 172	White 9
		173 ⇄ 190	White 10
		191 ⇄ 208	White 11
		209 ⇄ 226	White 12
		227 ⇄ 244	White 13
245 ⇄ 255	White 14		

## Operation

Channel	Function	Value	Percent/Setting
20	Strobe 3	000 ⇄ 009	No function
		010 ⇄ 099	Strobe, slow to fast
		100 ⇄ 109	No function
		110 ⇄ 179	Pulse strobe, slow to fast
		180 ⇄ 189	No function
		190 ⇄ 255	Random strobe, slow to fast
21	Strobe All	000 ⇄ 009	No function
		010 ⇄ 099	Strobe, slow to fast
		100 ⇄ 109	No function
		110 ⇄ 179	Pulse strobe, slow to fast
		180 ⇄ 189	No function
		190 ⇄ 255	Random strobe, slow to fast

### 3 RGB (9 Channels)

Channel	Function	Value	Percent/Setting
1	Red 1	000 ⇄ 255	0–100%
2	Green 1	000 ⇄ 255	0–100%
3	Blue 1	000 ⇄ 255	0–100%
4	Red 2	000 ⇄ 255	0–100%
5	Green 2	000 ⇄ 255	0–100%
6	Blue 2	000 ⇄ 255	0–100%
7	Red 3	000 ⇄ 255	0–100%
8	Green 3	000 ⇄ 255	0–100%
9	Blue 3	000 ⇄ 255	0–100%

### 1-Cell DMX Values

#### 1 HSIC (8 Channels)

Channel	Function	Value	Percent/Setting
1	Dimmer	000 ⇄ 255	0–100%
2	Hue	000 ⇄ 255	0–100%
3	Fine Hue	000 ⇄ 255	0–100%
4	Saturation	000 ⇄ 255	0–100%
5	Strobe	000 ⇄ 009	No function
		010 ⇄ 099	Strobe, slow to fast
		100 ⇄ 109	No function
		110 ⇄ 179	Pulse strobe, slow to fast
		180 ⇄ 189	No function
		190 ⇄ 255	Random strobe, slow to fast
6	Color Macros	000 ⇄ 010	No function
		011 ⇄ 034	R: 100% G: 0–100% B: 0% A: 0% W: 0%
		035 ⇄ 059	R: 100–0% G: 100% B: 0% A: 0% W: 0%
		060 ⇄ 084	R: 0% G: 100% B: 0–100% A: 0% W: 0%
		085 ⇄ 109	R: 0% G: 100–0% B: 100% A: 0% W: 0%
		110 ⇄ 134	R: 0–100% G: 0% B: 100% A: 0% W: 0%
		135 ⇄ 159	R: 100% G: 0% B: 100–0% A: 0% W: 0%
		160 ⇄ 184	R: 100% G: 0–100% B: 0–100% A: 0% W: 0%
		185 ⇄ 209	R: 100–0% G: 100–0% B: 100% A: 0% W: 0%
		210 ⇄ 255	R: 100% G: 100% B: 100% A: 100% W: 100%

Channel	Function	Value	Percent/Setting
7	Color Temperatures	000 ⇔ 010	No function
		011 ⇔ 028	White 1
		029 ⇔ 046	White 2
		047 ⇔ 064	White 3
		065 ⇔ 082	White 4
		083 ⇔ 100	White 5
		101 ⇔ 118	White 6
		119 ⇔ 136	White 7
		137 ⇔ 154	White 8
		155 ⇔ 172	White 9
		173 ⇔ 190	White 10
		191 ⇔ 208	White 11
		209 ⇔ 226	White 12
		227 ⇔ 244	White 13
245 ⇔ 255	White 14		
8	Dimmer Speed	000 ⇔ 009	Preset dimmer speed from display menu
		010 ⇔ 029	Dimmer speed mode off
		030 ⇔ 069	Dimmer speed mode 1 (fastest)
		070 ⇔ 129	Dimmer speed mode 2
		130 ⇔ 189	Dimmer speed mode 3
		190 ⇔ 255	Dimmer speed mode 4 (slowest)

1 RGBAW FUL (16 Channels)

Channel	Function	Value	Percent/Setting
1	Dimmer	000 ⇔ 255	0–100%
2	Fine Dimmer	000 ⇔ 255	0–100%
3	Red	000 ⇔ 255	0–100%
4	Fine Red	000 ⇔ 255	0–100%
5	Green	000 ⇔ 255	0–100%
6	Fine Green	000 ⇔ 255	0–100%
7	Blue	000 ⇔ 255	0–100%
8	Fine Blue	000 ⇔ 255	0–100%
9	Amber	000 ⇔ 255	0–100%
10	Fine Amber	000 ⇔ 255	0–100%
11	White	000 ⇔ 255	0–100%
12	Fine White	000 ⇔ 255	0–100%
13	Color Macros	000 ⇔ 010	No function
		011 ⇔ 034	R: 100% G: 0–100% B: 0% A: 0% W: 0%
		035 ⇔ 059	R: 100–0% G: 100% B: 0% A: 0% W: 0%
		060 ⇔ 084	R: 0% G: 100% B: 0–100% A: 0% W: 0%
		085 ⇔ 109	R: 0% G: 100–0% B: 100% A: 0% W: 0%
		110 ⇔ 134	R: 0–100% G: 0% B: 100% A: 0% W: 0%
		135 ⇔ 159	R: 100% G: 0% B: 100–0% A: 0% W: 0%
		160 ⇔ 184	R: 100% G: 0–100% B: 0–100% A: 0% W: 0%
		185 ⇔ 209	R: 100–0% G: 100–0% B: 100% A: 0% W: 0%
		210 ⇔ 255	R: 100% G: 100% B: 100% A: 100% W: 100%

## Operation

Channel	Function	Value	Percent/Setting
14	Color Temperatures	000 ⇔ 010	No function
		011 ⇔ 028	White 1
		029 ⇔ 046	White 2
		047 ⇔ 064	White 3
		065 ⇔ 082	White 4
		083 ⇔ 100	White 5
		101 ⇔ 118	White 6
		119 ⇔ 136	White 7
		137 ⇔ 154	White 8
		155 ⇔ 172	White 9
		173 ⇔ 190	White 10
		191 ⇔ 208	White 11
		209 ⇔ 226	White 12
		227 ⇔ 244	White 13
245 ⇔ 255	White 14		
15	Strobe	000 ⇔ 009	No function
		010 ⇔ 099	Strobe, slow to fast
		100 ⇔ 109	No function
		110 ⇔ 179	Pulse strobe, slow to fast
		180 ⇔ 189	No function
		190 ⇔ 255	Random strobe, slow to fast
16	Dimmer Speed	000 ⇔ 009	Preset dimmer speed from display menu
		010 ⇔ 029	Dimmer speed mode off
		030 ⇔ 069	Dimmer speed mode 1 (fastest)
		070 ⇔ 129	Dimmer speed mode 2
		130 ⇔ 189	Dimmer speed mode 3
		190 ⇔ 255	Dimmer speed mode 4 (slowest)

### 1 RGBAW FIN (10 Channels)

Channel	Function	Value	Percent/Setting
1	Red	000 ⇔ 255	0–100%
2	Fine Red	000 ⇔ 255	0–100%
3	Green	000 ⇔ 255	0–100%
4	Fine Green	000 ⇔ 255	0–100%
5	Blue	000 ⇔ 255	0–100%
6	Fine Blue	000 ⇔ 255	0–100%
7	Amber	000 ⇔ 255	0–100%
8	Fine Amber	000 ⇔ 255	0–100%
9	White	000 ⇔ 255	0–100%
10	Fine White	000 ⇔ 255	0–100%

### 1 RGBAW EXT (10 Channels)

Channel	Function	Value	Percent/Setting
1	Dimmer	000 ⇔ 255	0–100%
2	Fine Dimmer	000 ⇔ 255	0–100%
3	Red	000 ⇔ 255	0–100%
4	Green	000 ⇔ 255	0–100%
5	Blue	000 ⇔ 255	0–100%
6	Amber	000 ⇔ 255	0–100%
7	White	000 ⇔ 255	0–100%

Channel	Function	Value	Percent/Setting
8	Color Macros	000 ⇔ 010	No function
		011 ⇔ 034	R: 100% G: 0–100% B: 0% A: 0% W: 0%
		035 ⇔ 059	R: 100–0% G: 100% B: 0% A: 0% W: 0%
		060 ⇔ 084	R: 0% G: 100% B: 0–100% A: 0% W: 0%
		085 ⇔ 109	R: 0% G: 100–0% B: 100% A: 0% W: 0%
		110 ⇔ 134	R: 0–100% G: 0% B: 100% A: 0% W: 0%
		135 ⇔ 159	R: 100% G: 0% B: 100–0% A: 0% W: 0%
		160 ⇔ 184	R: 100% G: 0–100% B: 0–100% A: 0% W: 0%
		185 ⇔ 209	R: 100–0% G: 100–0% B: 100% A: 0% W: 0%
		210 ⇔ 255	R: 100% G: 100% B: 100% A: 100% W: 100%
9	Color Temperatures	000 ⇔ 010	No function
		011 ⇔ 028	White 1
		029 ⇔ 046	White 2
		047 ⇔ 064	White 3
		065 ⇔ 082	White 4
		083 ⇔ 100	White 5
		101 ⇔ 118	White 6
		119 ⇔ 136	White 7
		137 ⇔ 154	White 8
		155 ⇔ 172	White 9
		173 ⇔ 190	White 10
		191 ⇔ 208	White 11
		209 ⇔ 226	White 12
		227 ⇔ 244	White 13
245 ⇔ 255	White 14		
10	Strobe	000 ⇔ 009	No function
		010 ⇔ 099	Strobe, slow to fast
		100 ⇔ 109	No function
		110 ⇔ 179	Pulse strobe, slow to fast
		180 ⇔ 189	No function
		190 ⇔ 255	Random strobe, slow to fast

1 RGBAW (5 Channels)

Channel	Function	Value	Percent/Setting
1	Red	000 ⇔ 255	0–100%
2	Green	000 ⇔ 255	0–100%
3	Blue	000 ⇔ 255	0–100%
4	Amber	000 ⇔ 255	0–100%
5	White	000 ⇔ 255	0–100%

1 RGBA EXT (9 Channels)

Channel	Function	Value	Percent/Setting
1	Dimmer	000 ⇔ 255	0–100%
2	Fine Dimmer	000 ⇔ 255	0–100%
3	Red	000 ⇔ 255	0–100%
4	Green	000 ⇔ 255	0–100%
5	Blue	000 ⇔ 255	0–100%
6	Amber	000 ⇔ 255	0–100%

## Operation

Channel	Function	Value	Percent/Setting
7	Color Macros	000 ⇔ 010	No function
		011 ⇔ 034	R: 100% G: 0–100% B: 0% A: 0% W: 0%
		035 ⇔ 059	R: 100–0% G: 100% B: 0% A: 0% W: 0%
		060 ⇔ 084	R: 0% G: 100% B: 0–100% A: 0% W: 0%
		085 ⇔ 109	R: 0% G: 100–0% B: 100% A: 0% W: 0%
		110 ⇔ 134	R: 0–100% G: 0% B: 100% A: 0% W: 0%
		135 ⇔ 159	R: 100% G: 0% B: 100–0% A: 0% W: 0%
		160 ⇔ 184	R: 100% G: 0–100% B: 0–100% A: 0% W: 0%
		185 ⇔ 209	R: 100–0% G: 100–0% B: 100% A: 0% W: 0%
		210 ⇔ 255	R: 100% G: 100% B: 100% A: 100% W: 100%
8	Color Temperatures	000 ⇔ 010	No function
		011 ⇔ 028	White 1
		029 ⇔ 046	White 2
		047 ⇔ 064	White 3
		065 ⇔ 082	White 4
		083 ⇔ 100	White 5
		101 ⇔ 118	White 6
		119 ⇔ 136	White 7
		137 ⇔ 154	White 8
		155 ⇔ 172	White 9
		173 ⇔ 190	White 10
		191 ⇔ 208	White 11
		209 ⇔ 226	White 12
		227 ⇔ 244	White 13
245 ⇔ 255	White 14		
9	Strobe	000 ⇔ 009	No function
		010 ⇔ 099	Strobe, slow to fast
		100 ⇔ 109	No function
		110 ⇔ 179	Pulse strobe, slow to fast
		180 ⇔ 189	No function
		190 ⇔ 255	Random strobe, slow to fast

### 1 RGBA (4 Channels)

Channel	Function	Value	Percent/Setting
1	Red	000 ⇔ 255	0–100%
2	Green	000 ⇔ 255	0–100%
3	Blue	000 ⇔ 255	0–100%
4	Amber	000 ⇔ 255	0–100%

### 1 RGB EXT (8 Channels)

Channel	Function	Value	Percent/Setting
1	Dimmer	000 ⇔ 255	0–100%
2	Fine Dimmer	000 ⇔ 255	0–100%
3	Red	000 ⇔ 255	0–100%
4	Green	000 ⇔ 255	0–100%
5	Blue	000 ⇔ 255	0–100%

Channel	Function	Value	Percent/Setting
6	Color Macros	000 ⇔ 010	No function
		011 ⇔ 034	R: 100% G: 0–100% B: 0% A: 0% W: 0%
		035 ⇔ 059	R: 100–0% G: 100% B: 0% A: 0% W: 0%
		060 ⇔ 084	R: 0% G: 100% B: 0–100% A: 0% W: 0%
		085 ⇔ 109	R: 0% G: 100–0% B: 100% A: 0% W: 0%
		110 ⇔ 134	R: 0–100% G: 0% B: 100% A: 0% W: 0%
		135 ⇔ 159	R: 100% G: 0% B: 100–0% A: 0% W: 0%
		160 ⇔ 184	R: 100% G: 0–100% B: 0–100% A: 0% W: 0%
		185 ⇔ 209	R: 100–0% G: 100–0% B: 100% A: 0% W: 0%
		210 ⇔ 255	R: 100% G: 100% B: 100% A: 100% W: 100%
7	Color Temperatures	000 ⇔ 010	No function
		011 ⇔ 028	White 1
		029 ⇔ 046	White 2
		047 ⇔ 064	White 3
		065 ⇔ 082	White 4
		083 ⇔ 100	White 5
		101 ⇔ 118	White 6
		119 ⇔ 136	White 7
		137 ⇔ 154	White 8
		155 ⇔ 172	White 9
		173 ⇔ 190	White 10
		191 ⇔ 208	White 11
		209 ⇔ 226	White 12
		227 ⇔ 244	White 13
245 ⇔ 255	White 14		
8	Strobe	000 ⇔ 009	No function
		010 ⇔ 099	Strobe, slow to fast
		100 ⇔ 109	No function
		110 ⇔ 179	Pulse strobe, slow to fast
		180 ⇔ 189	No function
		190 ⇔ 255	Random strobe, slow to fast

1 RGB (3 Channels)

Channel	Function	Value	Percent/Setting
1	Red	000 ⇔ 255	0–100%
2	Green	000 ⇔ 255	0–100%
3	Blue	000 ⇔ 255	0–100%



## Operation

### Configuration (Standalone)

Use standalone configuration to operate the product without a DMX controller.



**Never connect a product that is operating in any standalone mode to a DMX string connected to a DMX controller. Products in standalone mode may transmit DMX signals that could interfere with the DMX signals from the controller.**

### Static Colors

The Static Colors mode allows for permanent color presets without a DMX controller.

1. Go to the **Static Colors** main level.
2. Select **Preset Colors**, **CCT Temper** (preset color temperatures), or **RGBAW**.
3. For **Preset Colors**: select the desired preset color (**Color 1–14**).  
For **CCT Temper**: select the desired preset color temperature (**White 1–14**).  
For **RGBAW**:
  - a. Select the desired color (**Red, Green, Blue, Amber, or White**).
  - b. Set the desired value for the selected color (**0–255**).
  - c. Repeat steps a-b until the static color is set as desired.

### Automatic Programs

The Auto Programs mode allows for playing back preset or customizable programs.

#### Edit

To edit a customizable auto program:

1. Go to the **Auto Programs** main level.
2. Select **Edit**.
3. Select the desired program (**Program 1–10**).
4. Select the desired scene (**SCENE 01–30**).
5. Select the desired color (**Red, Green, Blue, Amber, or White**).
6. Set the desired value for the selected color (**0–255**).
7. Repeat steps 4-6 until the static color is set as desired.

#### Run

To run a preset or customized automatic program:

1. Go to the **Auto Programs** main level.
2. Select **Run**.
3. Select the desired program (**AUTO.1–10** or **Program 1–10**).
4. Set the desired run speed (**Speed 0–100**).

### Configuration (Settings)

#### Output Setting

The Output Setting determines the balance between output power and product temperature.

1. Go to the Output Setting main level.
2. Select from **Power Mode** (adjusts output intensity in response to temperature), **Steady Mode** (maintains lower output intensity to prevent high temperature), or **Legacy Mode** (matches the output intensity of the COLORado Batten 72).

#### Master/Slave

The Master/Slave mode allows a group of COLORado Batten 72X products (the slaves) to simultaneously duplicate the output of another COLORado Batten 72X (the master) without a DMX controller. To set each of the slaves:

1. Go to the **Master/Slave** main level.
2. Select **Slave**.

To set the master:

1. Go to the **Master/Slave** main level.
2. Select **Master**.
3. Select a static setting.



- The master is the one that runs a program whether in Auto or Static mode.
- Do not connect a DMX controller to the products configured for Master/Slave operation. The DMX controller may interfere with signals from the master.
- The master should be the first product in the daisy chain.

## Dimmer Profiles

This setting determines how fast the output of the COLORado Batten 72X changes when you modify the output value. This setting provides four different options to simulate the dimming curve of an incandescent lighting product.

1. Go to the **Dimmer Mode** main level.
2. Select a dimmer curve (**OFF**, **DIM1**, **DIM2**, **DIM3**, or **DIM4**).



**OFF:** The output is proportional (linear) to the dimmer channel value.

**DIM1–4:** The output follows the dimmer value based on the corresponding dimmer curve, DIM1 being the fastest.

## LED Frequency

This option changes the Pulse Width Modulation (PWM) frequency of the LEDs on the COLORado Batten 72X.

1. Go to the **LED Frequency** main level.
2. Select PWM Frequency (**600Hz**, **1200Hz**, **2000Hz**, **4000Hz**, **6000Hz**, or **25000Hz**).

## Cell Order

This option sets the direction in which the cells of LEDs run.

1. Go to the **Cell Order** main level.
2. Select **1–3** (default cell order) or **3–1** (reverse cell order).

## DMX Error/Loss

This option determines what happens if a DMX signal is lost or an error occurs.

1. Go to the **Setting** main level.
2. After being prompted to enter the passcode, press **<UP>**, **<DOWN>**, **<UP>**, **<DOWN>**, **<ENTER>**.
3. Select **DMX Error/Loss**.
4. Select **Hold Last** (continues the last received command) or **Blackout** (blacks out the product).

## Display Timeout

This setting allows for selection of the amount of time the display backlight on the COLORado Batten 72X stays on after the last button is pressed on the control panel.

1. Go to the **Setting** main level.
2. After being prompted to enter the passcode, press **<UP>**, **<DOWN>**, **<UP>**, **<DOWN>**, **<ENTER>**.
3. Select **Disp TimeOut**.
4. Select **On** (remains on), **10s** (10 seconds), **20s** (20 seconds), or **30s** (seconds).

## System Information

This option displays the total number of hours the product has run, the installed software version, and the product's UID.

1. Go to the **Information** main level.
2. Select **Fixture Hours**, **Firmware Vers**, or **RDM** (to view the **UID** and **LABEL**).

## Factory Reset

This option restores the COLORado Batten 72X to factory default settings.

1. Go to the **Factory Reset** main level.
2. Select **No** or **Yes**.

# 5. Maintenance

## Product Maintenance

Dust build-up reduces light output performance and can cause overheating. This can lead to reduction of the light source's life and/or mechanical wear. To maintain optimum performance and minimize wear, clean your lighting products at least twice a month. However, be aware that usage and environmental conditions could be contributing factors to increase the cleaning frequency.

To clean the product, follow the instructions below:

1. Unplug the product from power.
2. Wait until the product is at room temperature.
3. Use a vacuum (or dry compressed air) and a soft brush to remove dust collected on the external surface/vents.
4. Clean all transparent surfaces with a mild soap solution, ammonia-free glass cleaner, or isopropyl alcohol.
5. Apply the solution directly to a soft, lint free cotton cloth or a lens cleaning tissue.
6. Softly drag any dirt or grime to the outside of the transparent surface.
7. Gently polish the transparent surfaces until they are free of haze and lint.



**Always dry the transparent surfaces carefully after cleaning them.**

## 6. Technical Specifications

### Dimensions and Weight

Length	Width	Height	Weight
39.37 in (1000 mm)	6.14 in (156 mm)	2.95 in (75 mm)	18.6 lb (8.4 kg)

**Note:** Dimensions in inches are rounded.

### Power

Power Supply Type	Range	Voltage Selection
Switching (internal)	100 to 240 VAC, 50/60 Hz	Auto-ranging

Parameter	120 V, 60 Hz	208 V, 60 Hz	230 V, 50 Hz
Consumption	161 W	164W	163 W
Operating Current	1.33 A	0.79 A	0.71 A
Power linking current (products)	10 A (6 products)	10 A (17 products)	10 A (19 products)

Power I/O	U.S./Worldwide	UK/Europe
Power Input Connector	Seetronic Powerkon A	Seetronic Powerkon A
Power Output Connector	Seetronic Powerkon B	Seetronic Powerkon B
Power Cord plug	Edison (U.S.)	Local Plug

### Light Source

Type	Color	Quantity	Power	Current	Lifespan
LED	Red	18	3 W	690 mA	50,000 hours
LED	Green	18	3 W	690 mA	50,000 hours
LED	Blue	18	3 W	690 mA	50,000 hours
LED	White	9	3 W	690 mA	50,000 hours
LED	Amber	9	3 W	690 mA	50,000 hours

### Photometrics

Installed Optics	Beam Angle (Horizontal)	Beam Angle (Vertical)	Field Angle (Horizontal)	Field Angle (Vertical)	Illuminance @ 5 m (Total)
24°	22°	18°	39°	34°	1,820 lux

### Thermal

Maximum External Temperature	Cooling System
113 °F (45 °C)	Convection

### DMX

I/O Connector	Channel Range
5-pin IP65 XLR	1 Cell: 3, 4, 5, 8, 8, 9, 10, 10, 16 3 Cell: 9, 12, 15, 21, 22, 24, 27, 30, 43

### Ordering

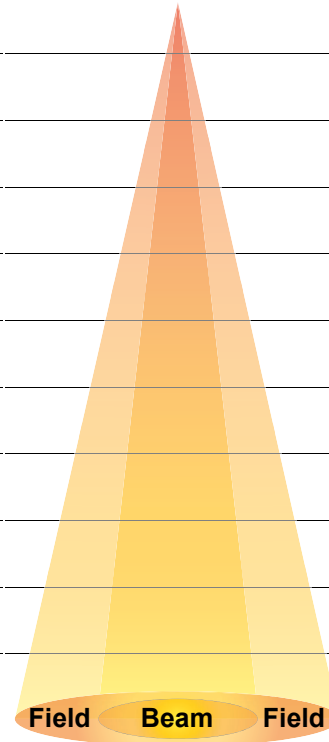
Product Name	Item Name	Item Code	UPC Number
COLORado Batten 72X	COLORADOBATTEN72X	01031479	781462218270



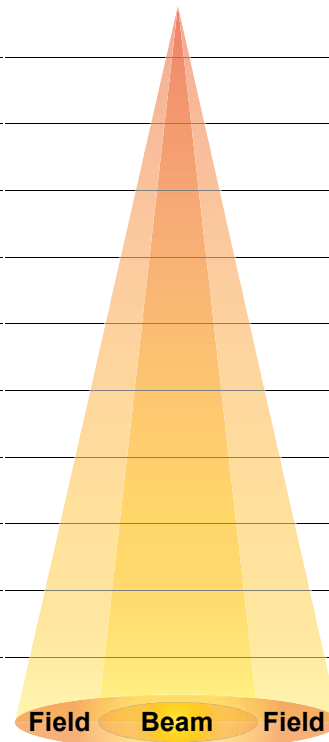
## Technical Specifications

### Photometrics Charts

			COLORado Batten 72X (Imperial)
Distance	Beam Diameter	Field Diameter	Footcandle
15 ft	5.83 x 4.75 ft	10.62 x 9.17 ft	202
20 ft	7.78 x 6.34 ft	14.16 x 12.23 ft	114
30 ft	11.66 x 9.50 ft	21.25 x 18.34 ft	51
40 ft	15.55 x 12.67 ft	28.33 x 24.46 ft	28
50 ft	19.44 x 15.84 ft	35.41 x 30.57 ft	18
75 ft	29.16 x 23.76 ft	53.12 x 45.86 ft	8
100 ft	38.88 x 31.68 ft	70.82 x 61.15 ft	5
125 ft	48.60 x 39.60 ft	88.53 x 76.43 ft	3
150 ft	58.31 x 47.52 ft	106.24 x 91.72 ft	2



			COLORado Batten 72X (Metric)
Distance	Beam Diameter	Field Diameter	Lux
1 m	0.39 x 0.32 m	0.71 x 0.61 m	45,500
2 m	0.78 x 0.63 m	1.42 x 1.22 m	11,375
5 m	1.94 x 1.58 m	3.54 x 3.06 m	1,820
8 m	3.11 x 2.53 m	5.67 x 4.89 m	711
10 m	3.89 x 3.17 m	7.08 x 6.11 m	455
15 m	5.83 x 4.75 m	10.62 x 9.17 m	202
20 m	7.78 x 6.34 m	14.16 x 12.23 m	114
25 m	9.72 x 7.92 m	17.71 x 15.29 m	73
30 m	11.66 x 9.50 m	21.25 x 18.34 m	51



## Returns

Send the product prepaid, in the original box, and with the original packing and accessories. Chauvet will not issue call tags.

Call Chauvet and request a Return Merchandise Authorization (RMA) number before shipping the product. Be prepared to provide the model number, serial number, and a brief description of the cause(s) for the return.

To submit a service request online, go to [www.chauvetprofessional.com/service-request](http://www.chauvetprofessional.com/service-request).

Clearly label the package with an RMA number. Chauvet will refuse any product returned without an RMA number.



**Write the RMA number on a properly affixed label. DO NOT write the RMA number directly on the box.**

Before sending the product, clearly write the following information on a piece of paper and place it inside the box:

- Your name
- Your address
- Your phone number
- RMA number
- A brief description of the problem

Be sure to pack the product properly. Any shipping damage resulting from inadequate packaging will be your responsibility. FedEx packing or double-boxing are recommended.



**Chauvet reserves the right to use its own discretion to repair or replace returned product(s).**

## Contact Us

General Information	Technical Support
<b>Chauvet World Headquarters</b>	
Address: 5200 NW 108th Ave. Sunrise, FL 33351 Voice: (954) 577-4455 Fax: (954) 929-5560 Toll Free: (800) 762-1084	Voice: (844) 393-7575 Fax: (954) 756-8015 Email: <a href="mailto:chauvetcs@chauvetlighting.com">chauvetcs@chauvetlighting.com</a> Website: <a href="http://www.chauvetprofessional.com">www.chauvetprofessional.com</a>
<b>Chauvet Europe Ltd</b>	
Address: Unit 1C Brookhill Road Industrial Estate Pinxton, Nottingham, UK NG16 6NT Voice: +44 (0) 1773 511115 Fax: +44 (0) 1773 511110	Email: <a href="mailto:UKtech@chauvetlighting.eu">UKtech@chauvetlighting.eu</a> Website: <a href="http://www.chauvetprofessional.eu">www.chauvetprofessional.eu</a>
<b>Chauvet Europe BVBA</b>	
Address: Stokstraat 18 9770 Kruishoutem Belgium Voice: +32 9 388 93 97	Email: <a href="mailto:BNLtech@chauvetlighting.eu">BNLtech@chauvetlighting.eu</a> Website: <a href="http://www.chauvetprofessional.eu">www.chauvetprofessional.eu</a>
<b>Chauvet France</b>	
Address: 3, Rue Ampère 91380 Chilly-Mazarin France Voice: +33 1 78 85 33 59	Email: <a href="mailto:FRtech@chauvetlighting.fr">FRtech@chauvetlighting.fr</a> Website: <a href="http://www.chauvetprofessional.eu">www.chauvetprofessional.eu</a>
<b>Chauvet Germany</b>	
Address: Bruno-Bürgerl-Str. 11 28759 Bremen Germany Voice: +49 421 62 60 20	Email: <a href="mailto:DEtech@chauvetlighting.de">DEtech@chauvetlighting.de</a> Website: <a href="http://www.chauvetprofessional.eu">www.chauvetprofessional.eu</a>
<b>Chauvet Mexico</b>	
Address: Av. de las Partidas 34 - 3B (Entrance by Calle 2) Zona Industrial Lerma Lerma, Edo. de México, CP 52000 Voice: +52 (728) 690-2010	Email: <a href="mailto:servicio@chauvet.com.mx">servicio@chauvet.com.mx</a> Website: <a href="http://www.chauvetprofessional.mx">www.chauvetprofessional.mx</a>

Visit the applicable website above to verify our contact information and instructions to request support. Outside the U.S., U.K., Ireland, Benelux, France, Germany, or Mexico, contact the dealer of record.