

E-CARTONE

PROFESSIONAL CAMERA SUPPORT

FOCUS
8 ✓



CARTONI ® / All rights reserved ©

User Manual

Version: 2.1

Issue date: Feb 2017

CARTONI S.p.A.

Via di Portonaccio, 33/B
00159 - Rome (Italy)
phone. +39 06 4382002
fax. +39 06 43588293
email. cartoni@cartoni.com

www.cartoni.com

USER MANUAL

INDEX

1. Safety & Set-up instructions
2. Operating elements
3. Procedures
4. Technical data
5. Maintenance
6. Warranty
7. Accessories & Product line

1. SAFETY & SET-UP INSTRUCTIONS

The **FOCUS 8** ✓ Fluid Head is the ideal support for the latest smaller, lighter high-performance cameras weighing from 0 to 8 kg (0 to 18 lbs).

Extremely compact and lightweight, the innovative FOCUS 8 features a continuously variable fluid damping system on both Pan and Tilt movements and an unrivaled patented variable counterbalance which brings its range of use to cover all existing ENG and lighter high-performance cameras.

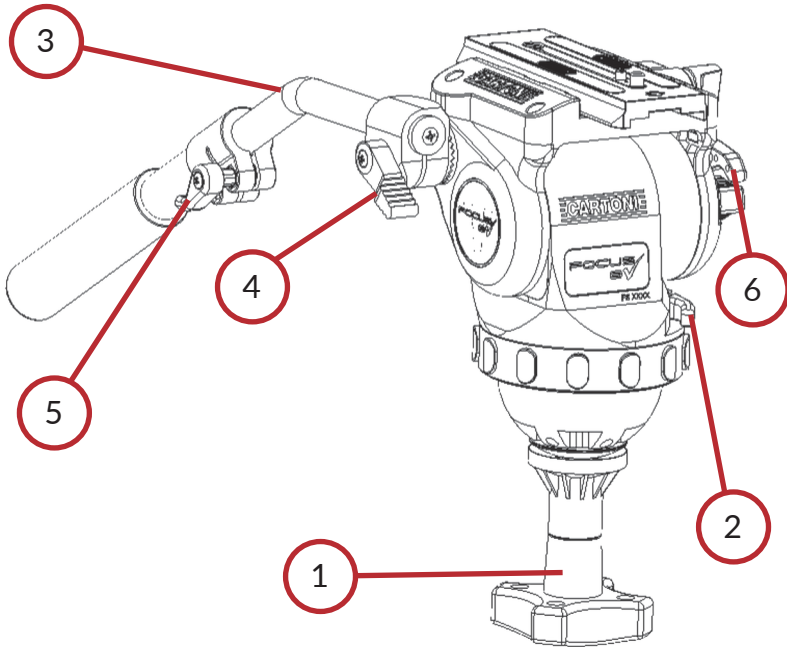
The FOCUS 8 Head comes equipped with a sliding Camera plate, spirit level and telescopic Pan bar. Its tilting range is +/- 90° with perfect response throughout the entire Tilt range. It interfaces with all 75 mm bowl base Tripods and supports.

The extreme ruggedness and versatility together with a superior quality/price ratio make the FOCUS 8 the best possible support for news Operators and Videographers.

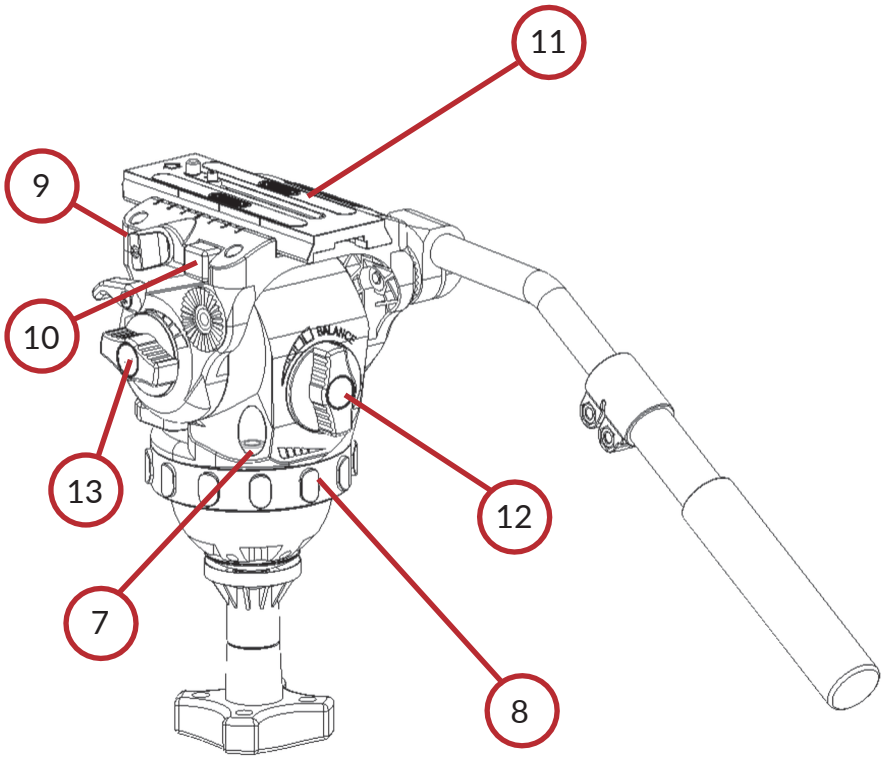
- Before using your new FOCUS 8, please read this user manual.
- Before installing the Fluid Head on the Tripod check the Tripod stability.
- Verify that the camera payload (including lens and all accessories) is below the maximum capacity of the Fluid Head.
- Before setting up the camera, make sure that the Fluid Head is in perfect operative conditions with no damages.

2. OPERATING ELEMENTS

6



1. Tie down knob
2. Pan brake lever
3. Pan bar
4. Pan bar attachment
5. Pan bar extension
6. Tilt brake lever



- 7.** Level bubble
- 8.** Pan drag selector
- 9.** Camera Plate lock
- 10.** Safety lock
- 11.** Camera Plate
- 12.** Balance knob
- 13.** Tilt drag selector

3. PROCEDURES

- 1 - Place the FOCUS 8 on your Tripod by loosening the tie-down knob (1) under the Fluid Head and level using the level bubble (7).
- 2 - Connect the Pan bar (3) to the Fluid Head tightening the lever (4) on the Pan bar attachment and select your desired operating angle. The telescopic Pan bar length can be adjusted via lever (5).
- 3 - Lock both Pan and Tilt brakes (2 and 6), turn both Tilt drag selector (13) and counterbalance knob (12) to the minimum level.
- 4 - Unscrew the Camera plate lock (9) and press the safety lock (10) to slide out the Camera plate (11).
- 5 - Attach the Camera plate (11) to the bottom of the camera and tighten the clamping screw to secure the camera. Try to center the camera plate under the camera, keeping the center of gravity position in mind.
- 6 - Slide in the camera plate until you hear the safety button click. Lock the camera plate with knob (9).
- 7 - Hold the camera in horizontal position with the Pan bar (3) and release the Tilt brake lever (2). Release the camera plate lock (9) and find the correct center of gravity (CG) position, by sliding the camera back and forth until you have achieved the correct balance. Lock the sliding plate lock (9).
- 8 - Set the counterbalance system by turning the balance knob (12), to the appropriate tension. The camera has to stay still at any Tilt angle. If needed, fine-tune by adjusting the sliding camera plate.
- 9 - Unlock the Pan brake lever (2) and set Fluid drag control by adjusting selectors (8) and (13).

4. TECHNICAL DATA

Minimum Payload Capacity	0 kg
Maximum Payload Capacity	8 kg / 18 lbs
Weight	1.8 kg / 4.0 lbs
Pan Range	360°
Tilt Range	+/-90°
Counterbalance	Continuous
Fluid Drag	Continuous
Bowl Diameter	75 mm
Temperature Range	-40°/+60°

5. MAINTENANCE

With indoor use - when needed - just clean the FOCUS 8 and Tripod with a soft cloth. Dirt accumulated during storage may be removed using a brush or Air spray.

CARTONI products main mechanisms are sealed as they are also built for professional outdoor use.

However, use under rough conditions will require special care. Salt water is very corrosive and can cause extreme damages. In attempt to avoid further damage the Fluid Head should be washed off with fresh water at the earliest opportunity and dried before storage.

Sand and dirt are abrasive and should be removed using a semi-stiff brush or Air spray.

6. WARRANTY

All CARTONI Fluid Heads & Pedestals have a free of charge three (3) year warranty. Register your product at www.cartoni.com within 30 days from date of first purchase/invoice to receive further two (2) year warranty for the unsurpassed free five (5) year warranty.

Tripods, spreaders, dollies and all accessories are guaranteed one (1) year from the date of first purchase/invoice.

CARTONI warrant that the product supplied will - under proper use - be free from defects in workmanship and materials and agrees that it will, at its option, either repair or replace any defective part within duration of warranty from date of first purchase with no labour charge.

This warranty does not apply to any CARTONI product that has been damaged in shipping or handling, abused, misused, operated contrary to instructions for use, neglected, normal wear or tear, modified or changed in design or construction or serviced by unauthorized parties.

Repairs or misuse by any unauthorized parties will void this warranty.

Warranty claims must be submitted – in writing - to the factory for verification or to an authorized distributor/dealer designated by CARTONI.

It is the end user's responsibility when ordering to ensure that the products ordered conform to his requirements.

All freight of product to CARTONI must be prepaid. All implied warranties are limited to the time period set forth herein & subject to change without notice.

No liability can be accepted for any variation.

7. ACCESSORIES & PRODUCT LINE

For the complete Accessories list & Product line please visit CARTONI's official website www.cartoni.com.

Every product has an updated list of compatible items sorted by groups, with descriptions and technical data.

≡CARTONI≡

*SUPPORTS
YOUR
VISION*

CARTONI

www.cartoni.com

