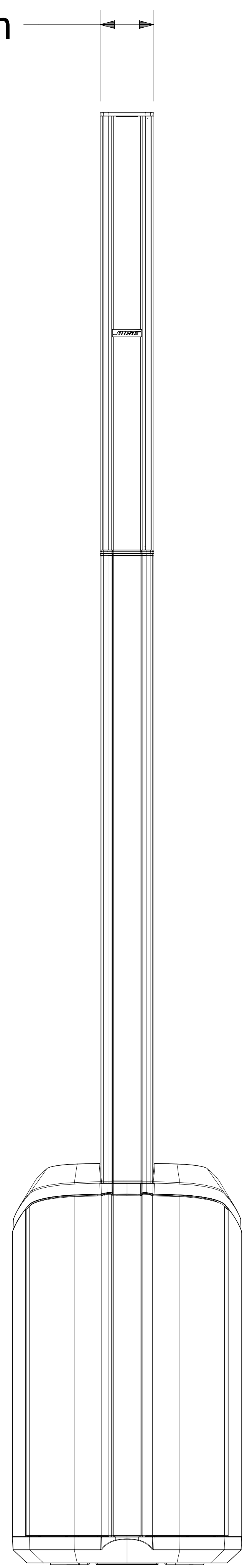
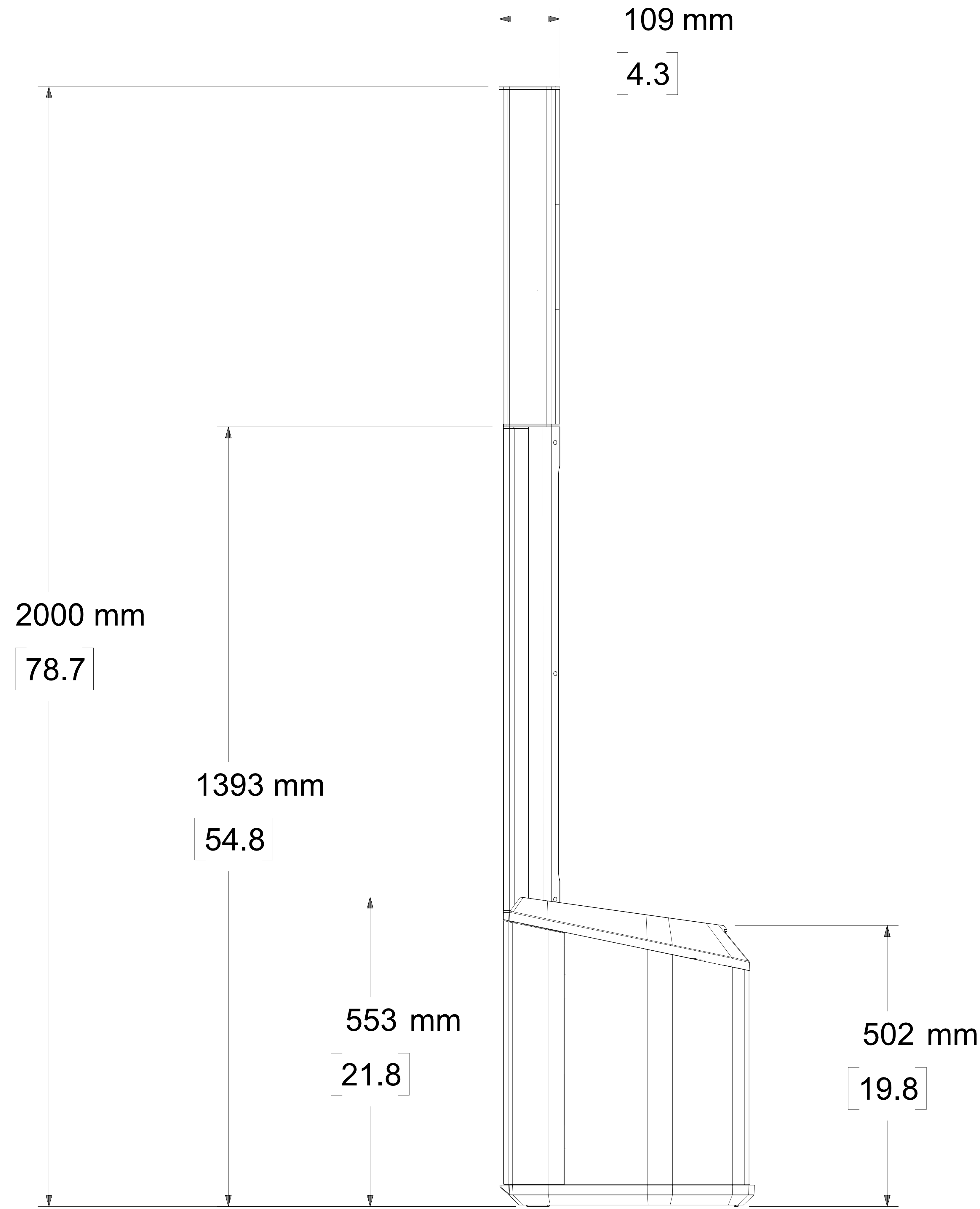


**Top View**

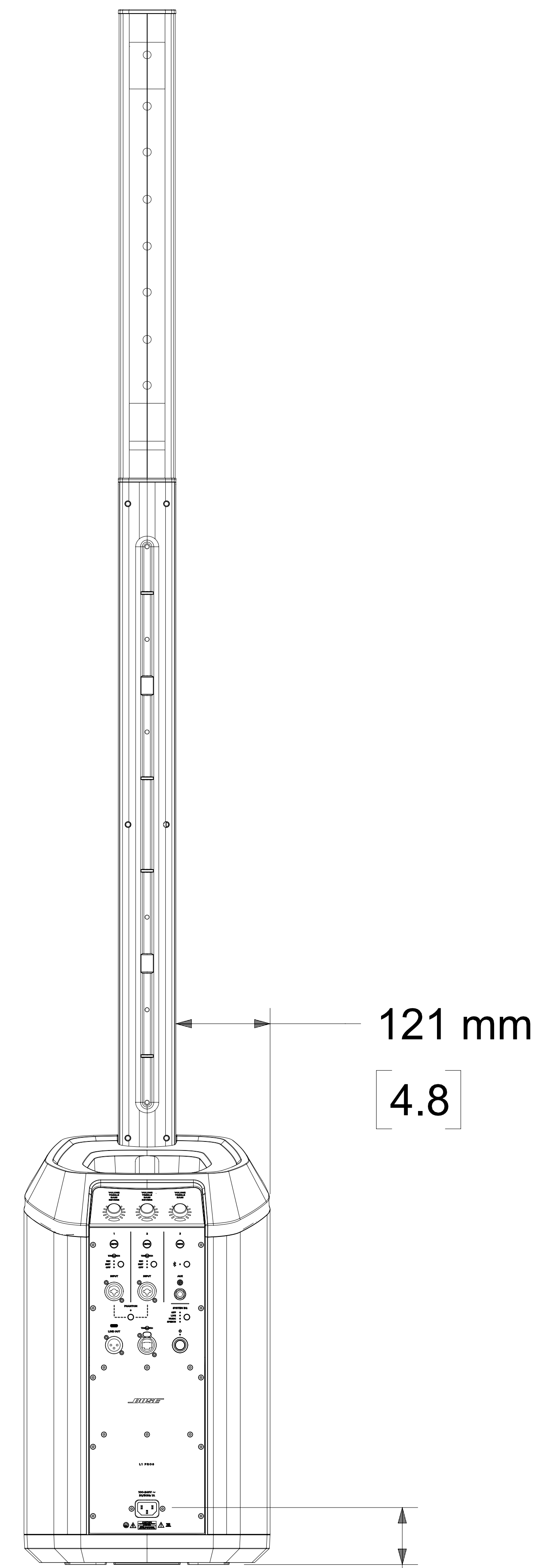
74 mm  
2.9



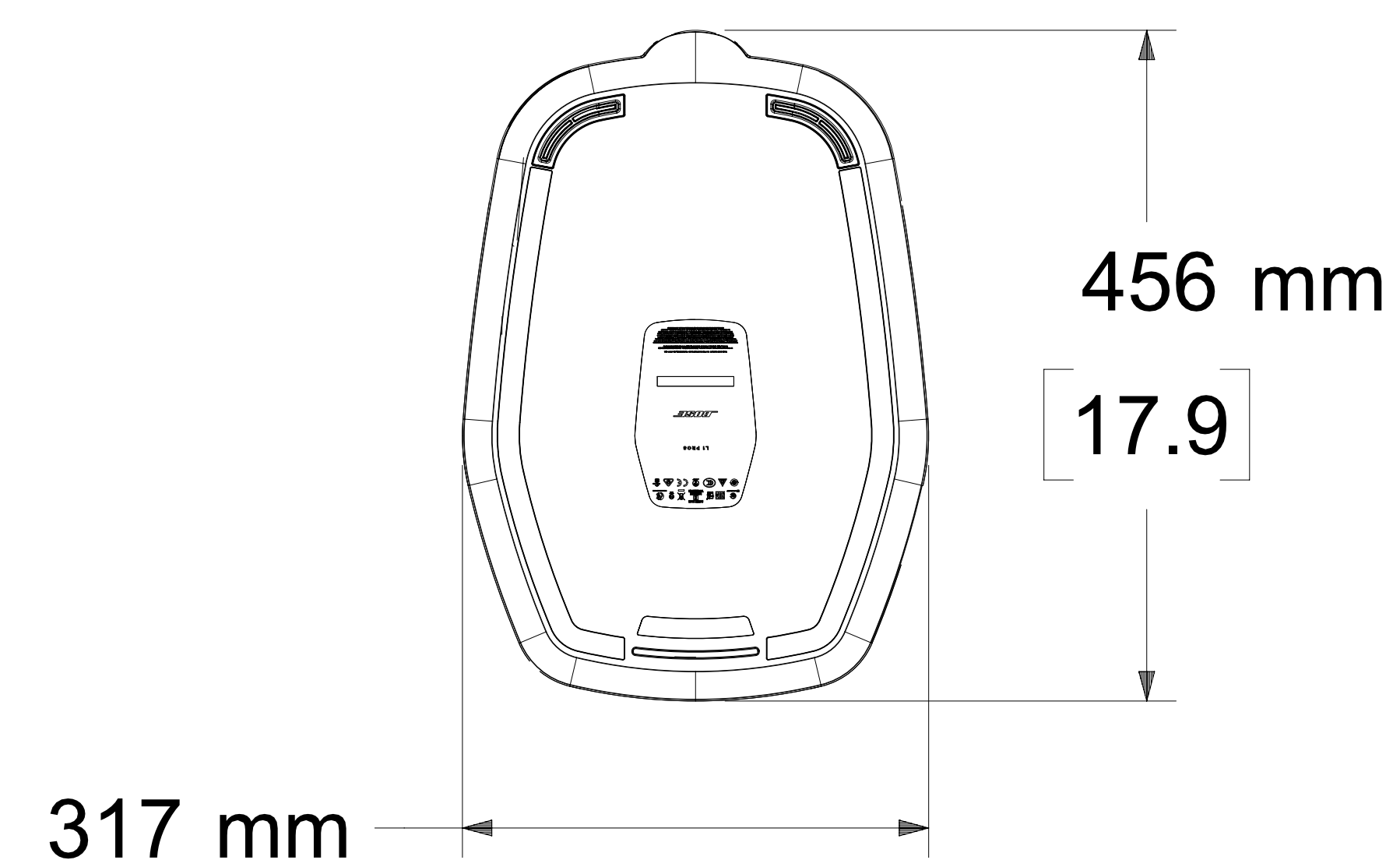
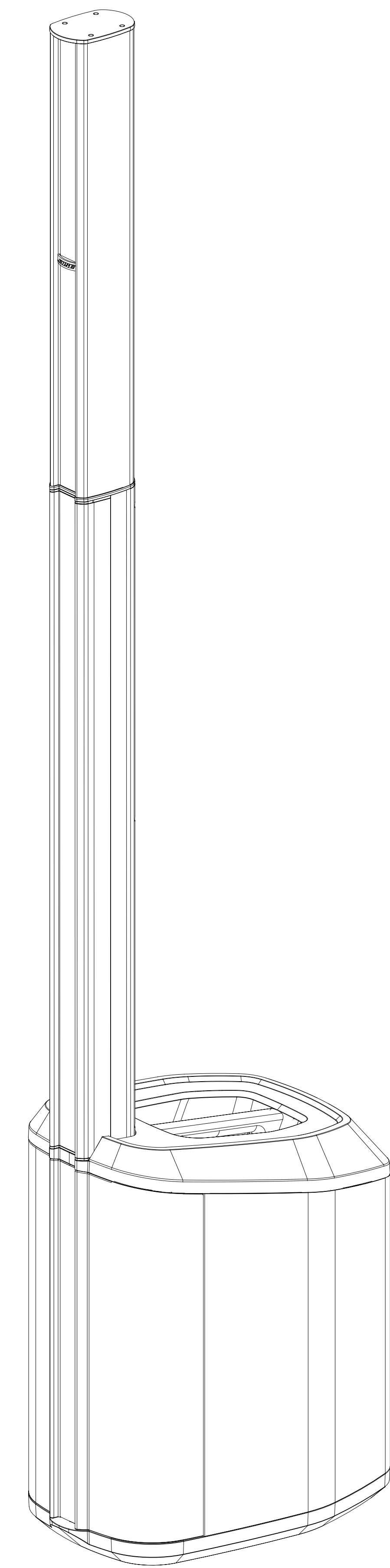
**Front View**



**Right View**  
DIMENSIONS APPLY TO BOTH SIDES



**Rear View**



**Bottom View**

- NOTES:  
 1. DIMENSIONS ARE IN MILLIMETERS OVER INCHES  
 2. WEIGHT APPROX 17.3kg [38.2lbs] (COMPLETE SYSTEM)

<p>THIRD ANGLE PROJECTION</p>	<p>NOTICE</p> <p>© 2020 BOSE CORPORATION.        THIS DRAWING MAY NOT BE COPIED,        REPRODUCED, OR USED AS THE BASIS        FOR MANUFACTURE OR SALE OF        APPARATUS WITHOUT THE PRIOR        WRITTEN AUTHORIZATION OF        BOSE CORPORATION.</p>			
<p>UNLESS OTHERWISE SPECIFIED INTERPRET THIS DRAWING PER ASME Y14.5M-1997</p>	<p>DO NOT SCALE DRAWING</p>	<p>DESCRIPTION</p> <p>L1 PRO8 PORTABLE LINE ARRAY</p>	<p>CAGE CODE</p> <p>32108</p> <p>DOCUMENT NUMBER</p> <p>RF830116-MKTCADS</p>	<p>VERSION</p> <p>00.7</p>