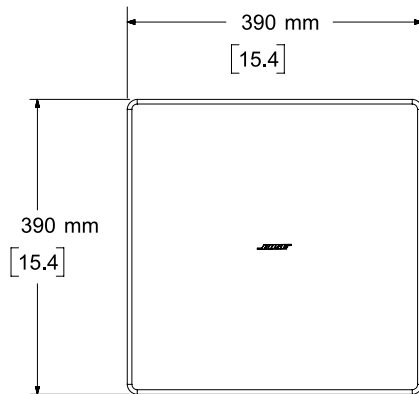
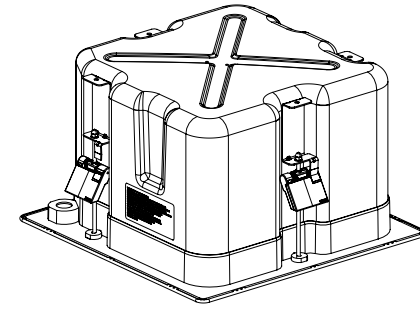
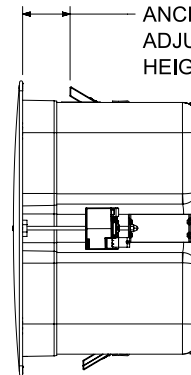


Top View



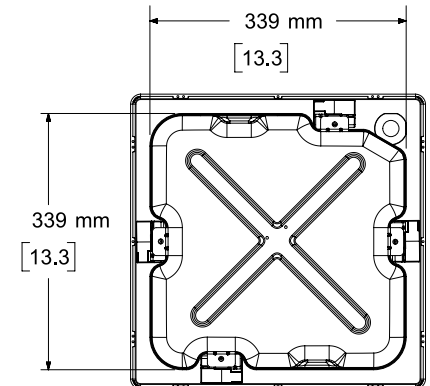
Front View

4 - 80mm
[0.2 - 3.1]
ANCHOR
ADJUSTMENT
HEIGHT

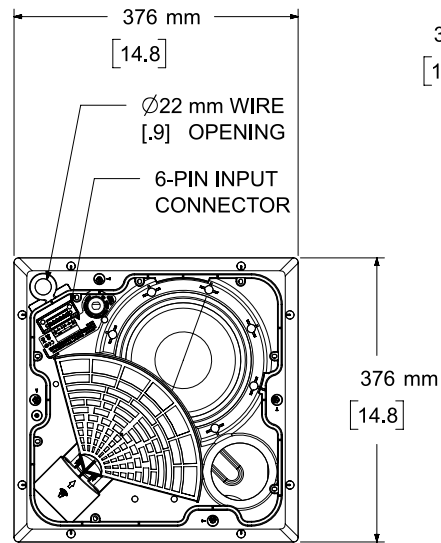


Side View

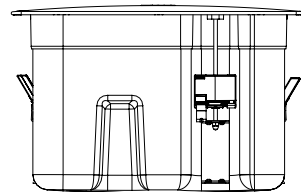
DIMENSIONS APPLY TO BOTH SIDES



Rear View



**Front View
(Grille Removed)**



Bottom View

NOTES:

1. WEIGHT IS APPROX. 10.0kg [22.0 lbs]
2. DIMENSIONS ARE IN MILLIMETERS OVER INCHES

	<p>THIRD ANGLE PROJECTION</p>	<p>NOTICE</p> <p>© 2016 BOSE CORPORATION. THIS DRAWING MAY NOT BE COPIED, REPRODUCED, OR USED AS THE BASIS FOR MANUFACTURE OR SALE OF APPARATUS WITHOUT THE PRIOR WRITTEN AUTHORIZATION OF BOSE CORPORATION.</p>			
	<p>UNLESS OTHERWISE SPECIFIED INTERPRET THIS DRAWING PER ASME Y14.5M-1997</p>	<p>DO NOT SCALE DRAWING</p>	<p>DESCRIPTION</p> <p>EDGEMAX EM90 LOUDSPEAKER</p>	<p>CAGE CODE</p> <p>32108</p>	<p>DOCUMENT NUMBER</p> <p>RF778844-MKTCADS</p>