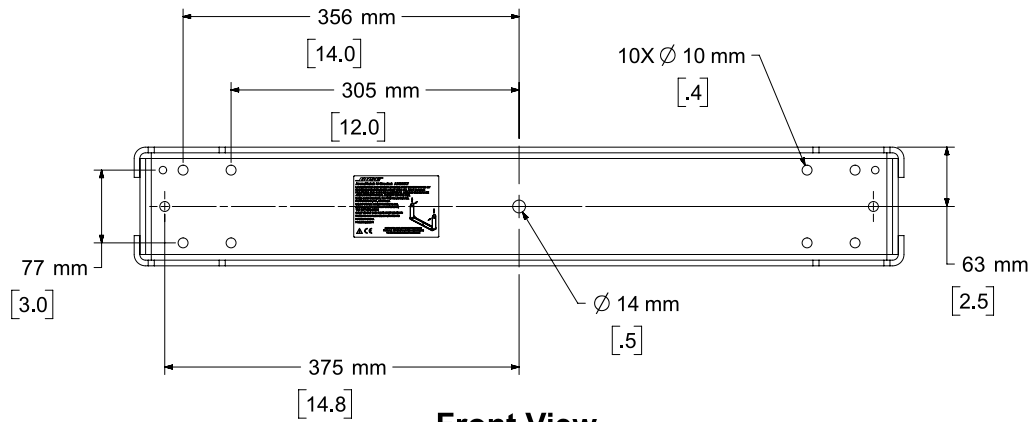
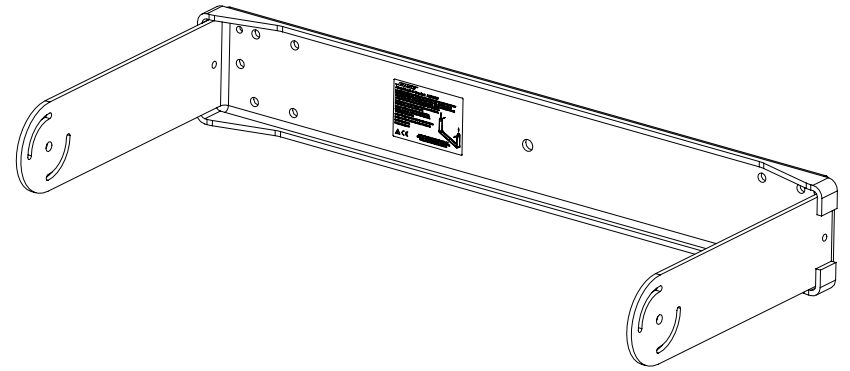
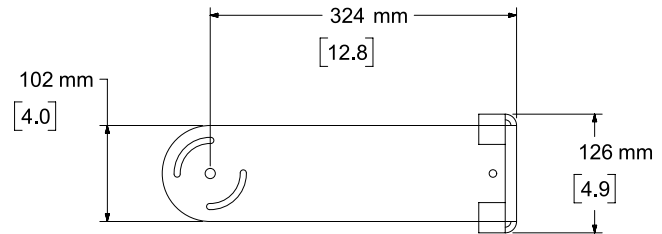


**Top View**



**Front View**



**Right View**

**DIMENSIONS APPLY TO BOTH SIDES**



**Bottom View**

**NOTES:**

1. DIMENSIONS ARE IN MILLIMETERS OVER INCHES
2. WEIGHT APPROX. 8.75kg/19.30lbs

	<p>THIRD ANGLE PROJECTION</p>	<p>NOTICE</p> <p>© 2018 BOSE CORPORATION. THIS DRAWING MAY NOT BE COPIED, REPRODUCED, OR USED AS THE BASIS FOR MANUFACTURE OR SALE OF APPARATUS WITHOUT THE PRIOR WRITTEN AUTHORIZATION OF BOSE CORPORATION.</p>		
	<p>UNLESS OTHERWISE SPECIFIED INTERPRET THIS DRAWING PER ASME Y14.5M-1997</p>	<p>DO NOT SCALE DRAWING</p>	<p>DESCRIPTION</p> <p><b>ARENAMATCH AMBRKT U-BRACKET</b></p>	<p>CAGE CODE</p> <p><b>32108</b></p>
			<p>VERSION</p> <p><b>00.7</b></p>	