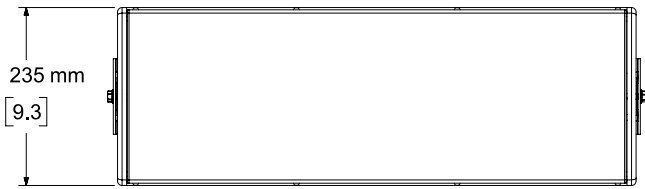
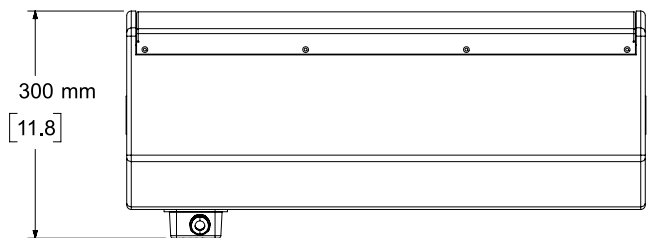


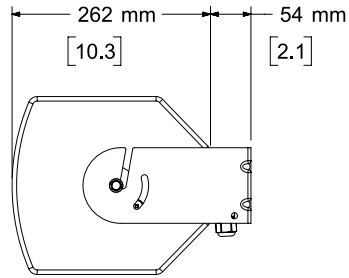
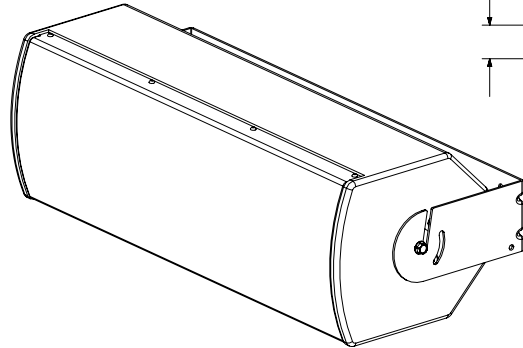
Top View



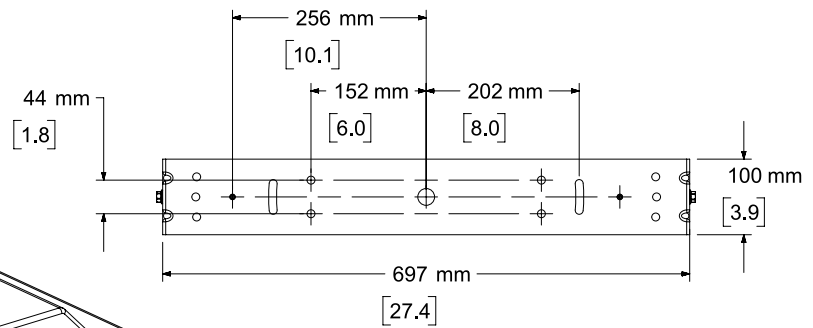
Front View



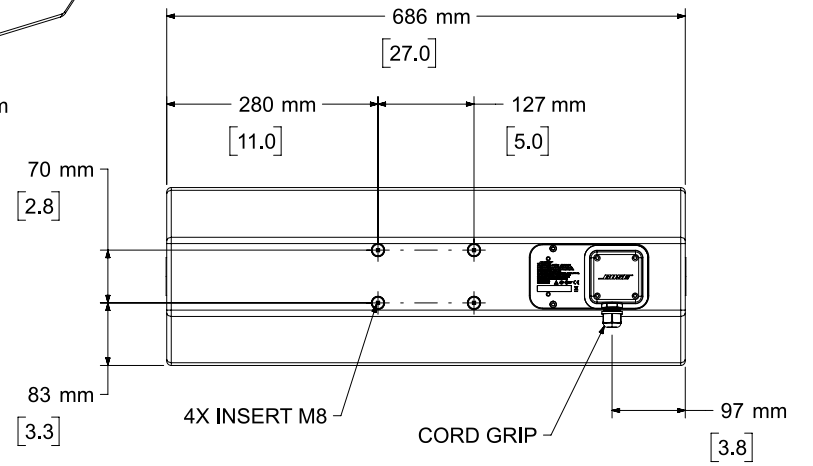
Bottom View
BRACKET REMOVED FOR CLARITY



Right View
DIMENSIONS APPLY TO BOTH SIDES



Rear View
BRACKET ONLY



Rear View
BRACKET REMOVED FOR CLARITY

- NOTES:
 1. DIMENSIONS ARE IN MILLIMETERS OVER INCHES
 2. WEIGHT APPROX 17.0kg [37.5lbs] (SPEAKER ONLY)
 WEIGHT W/BRACKET 19.5kg [43.0lbs]

	NOTICE © 2018 BOSE CORPORATION. THIS DRAWING MAY NOT BE COPIED, REPRODUCED, OR USED AS THE BASIS FOR MANUFACTURE OR SALE OF APPARATUS WITHOUT THE PRIOR WRITTEN AUTHORIZATION OF BOSE CORPORATION.		
	UNLESS OTHERWISE SPECIFIED INTERPRET THIS DRAWING PER ASME Y14.5M-1997		
DO NOT SCALE DRAWING	CAGE CODE 32108	DOCUMENT NUMBER RF811436-MKTCADS	VERSION 00.6