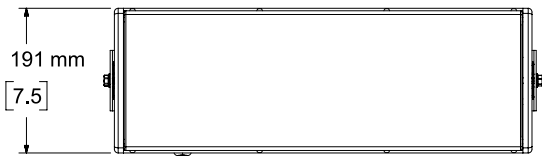
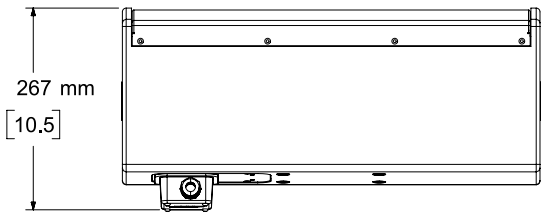


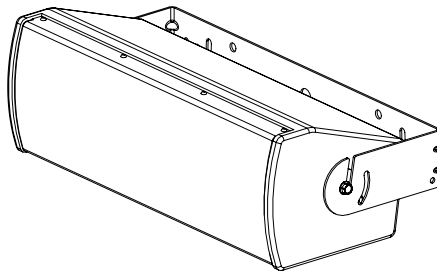
Top View



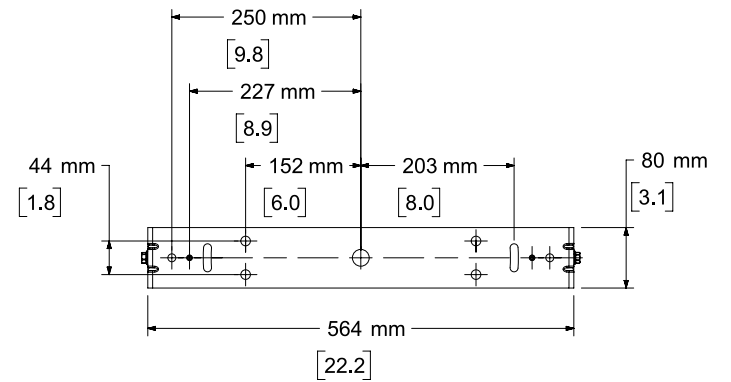
Front View



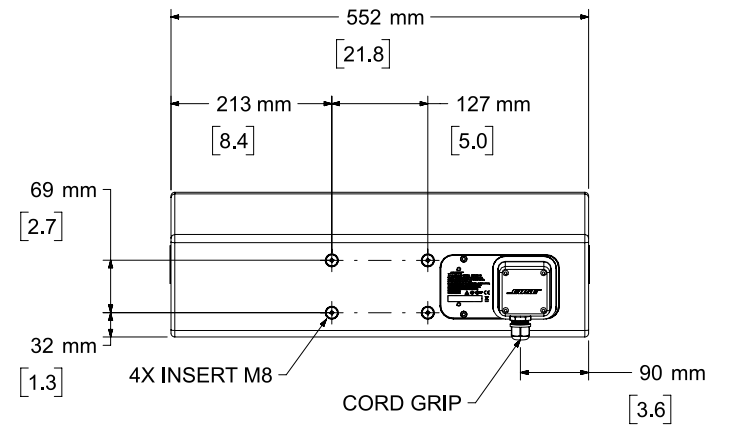
Bottom View
BRACKET REMOVED FOR CLARITY



Right View
DIMENSIONS APPLY TO BOTH SIDES



Rear View
BRACKET ONLY



Rear View
BRACKET REMOVED FOR CLARITY

NOTES:

1. DIMENSIONS ARE IN MILLIMETERS OVER INCHES
2. WEIGHT APPROX. 12.2kg [26.8lbs] (SPEAKER ONLY)
WEIGHT W/BRACKET 13.8kg [30.5lbs]

| | |
|--|--|
| THIRD ANGLE PROJECTION | |
| | |
| UNLESS OTHERWISE SPECIFIED INTERPRET THIS DRAWING PER ASME Y14.5M-1997 | |

| | |
|---|--|
| NOTICE | |
| © 2018 BOSE CORPORATION. THIS DRAWING MAY NOT BE COPIED, REPRODUCED, OR USED AS THE BASIS FOR MANUFACTURE OR SALE OF APPARATUS WITHOUT THE PRIOR WRITTEN AUTHORIZATION OF BOSE CORPORATION. | |
| DO NOT SCALE DRAWING | |

| | | |
|---------------------------|------------------|---------|
| | | |
| DESCRIPTION | | |
| ARENAMATCH UTILITY AMU206 | | |
| CAGE CODE | DOCUMENT NUMBER | VERSION |
| 32108 | RF811435-MKTCADS | 00.9 |