



Installation and Operation Manual

# Blackmagic Converters

June 2018

English, 日本語, Français, Deutsch, Español, 中文,  
한국어, Русский, Italiano, Português and Türkçe.

# Languages

To go directly to your preferred language, simply click on the hyperlinks listed in the contents below.

<a href="#">English</a>	3
<a href="#">日本語</a>	92
<a href="#">Français</a>	182
<a href="#">Deutsch</a>	272
<a href="#">Español</a>	362
<a href="#">中文</a>	452
<a href="#">한국어</a>	542
<a href="#">Русский</a>	632
<a href="#">Italiano</a>	722
<a href="#">Português</a>	812
<a href="#">Türkçe</a>	902





## Welcome

Thank you for purchasing Blackmagic Converters for your production needs.

Blackmagic Mini Converters, Mini Converter Heavy Duty, Battery Converters and Micro Converters give you a solution for virtually any conversion you could need. Mini Converters convert analog to digital, digital to analog, SDI to audio, audio to SDI, up, down and cross conversion, SDI distribution, and can even provide a sync generator for locking all your video equipment to the same reference signal. Mini Converter Heavy Duty gives you the same conversions in a super tough design that's perfect for use on location and Battery Converters let you work on location with or without external power. Blackmagic Micro Converters are even smaller, designed for popular conversions such as SDI to HDMI and HDMI to SDI so you can plug any HDMI output into SDI video recorders and switchers, or plug SDI video equipment into HDMI monitors.

This instruction manual contains all the information you need to start using your Blackmagic Converters.

Please check the support page on our web site at [www.blackmagicdesign.com](http://www.blackmagicdesign.com) for the latest version of this manual and for updates if your Blackmagic Converter has internal software. Keeping your internal software up to date will always ensure you get all the latest features. When downloading software, please register with your information so we can keep you updated when new software is released. We are constantly working on new features and improvements, so we would love to hear from you!

A handwritten signature in black ink that reads "Grant Petty". The signature is written in a cursive, flowing style.

**Grant Petty**

CEO Blackmagic Design

# Contents

## Blackmagic Converters

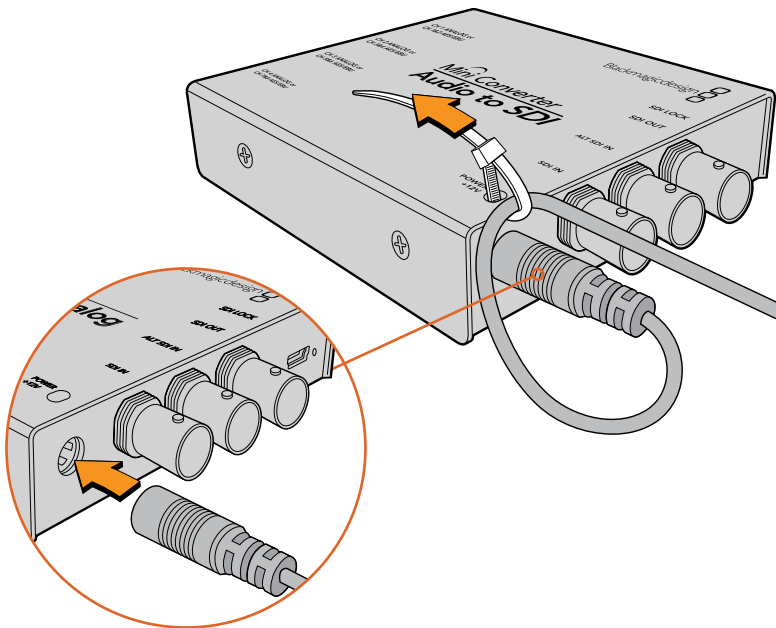
<b>Getting Started</b>	5	Mini Converter HDMI to SDI 4K	34
Plugging in Power	5	Mini Converter HDMI to SDI 6G	37
Plugging in Video	6	Mini Converter SDI to Analog	40
Plugging in Audio	7	Mini Converter SDI to Analog 4K	45
<b>Installing Administration Software</b>	8	Mini Converter Analog to SDI	49
Installing Blackmagic Converters Setup	8	Mini Converter SDI to Audio	53
Updating the Internal Software	9	Mini Converter SDI to Audio 4K	56
Updating Mini Converter SDI Distribution 4K	10	Mini Converter Audio to SDI	59
<b>Changing Settings</b>	11	Mini Converter Audio to SDI 4K	63
Changing Settings using Switches	11	Mini Converter Optical Fiber	67
Changing Settings using Blackmagic Converters Setup	12	Mini Converter Optical Fiber 4K	68
About Tab	13	Mini Converter Optical Fiber 12G	69
<b>Blackmagic Converter Models</b>	13	Mini Converter Quad SDI to HDMI 4K	70
<b>Teranex Mini Converters</b>	13	Mini Converter SDI Distribution	71
<b>Blackmagic Micro Converters</b>	14	Mini Converter SDI Distribution 4K	72
Micro Converter SDI to HDMI	14	Mini Converter SDI Multiplex 4K	73
Micro Converter HDMI to SDI	15	Mini Converter Sync Generator	76
Micro Converter BiDirectional SDI/HDMI	17	Mini Converter UpDownCross	79
<b>Blackmagic Mini Converters</b>	19	Mini Converter UpDownCross HD	83
Mini Converter SDI to HDMI	19	Converter Setup Utility	86
Mini Converter SDI to HDMI 4K	22	<b>Blackmagic Battery Converters</b>	87
Mini Converter SDI to HDMI 6G	26	Battery Converter SDI to HDMI	87
Mini Converter HDMI to SDI	31	Battery Converter HDMI to SDI	88
		<b>Help</b>	90
		<b>Warranty</b>	91

# Getting Started

Getting started with your Blackmagic Converter is as simple as plugging in power, plugging your source video into your converter's video input, and plugging the video output into your destination equipment.

## Plugging in Power

Plug in the included 12 volt power supply using the socket adapter for your country. If your converter has a built in cable tie point, you can easily secure the power connection to your converter.



Locking the power cable to the converter's cable tie point prevents accidental disconnection.

### Micro Converter

Blackmagic Micro Converter is powered using the micro USB connector. This gives you a convenient and flexible power solution. For example you can easily connect power using the battery charger for some modern cell phones, or even power your converter via the USB port of your laptop computer. Any device capable of providing 5V via a standard USB to Micro USB cable can power your Blackmagic Micro Converter.

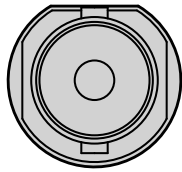
### Battery Converters

Blackmagic Battery Converters have a switch labeled 'On Batt Off' that is used to switch between mains power and battery power. When set to 'On', the Battery Converter will keep working even if external power is lost. When set to 'Off', only external power is used to ensure built in battery power is saved. The LED near the switch indicates the battery charge level by a continuous illumination for 100 percent charge, three flashes for 50 to 90 percent charge, two flashes for 10 to 50 percent charge and a single flash if less than 10 percent charge is remaining.

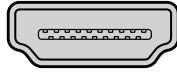


## Plugging in Video

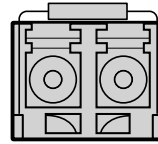
To connect your video inputs and outputs, simply plug your source video into your converter's video input and plug the video output into your destination equipment.



BNC



HDMI

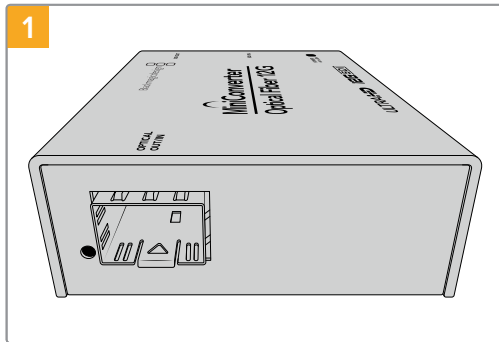


Optical Fiber

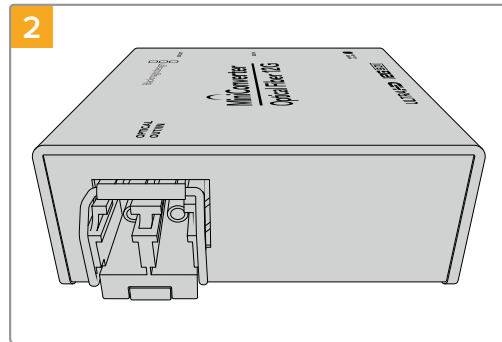
Depending on your Blackmagic Converter model, the video connectors may be BNC, HDMI, or optical fiber LC.

### Optical Fiber Connectors

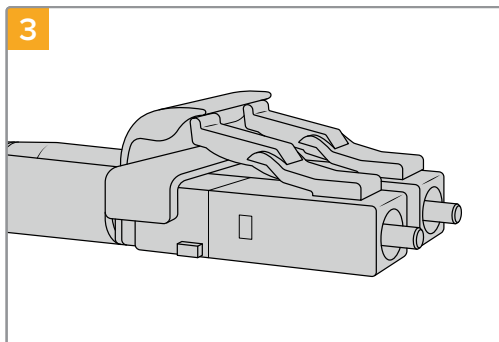
Some Blackmagic Converter models include an SFP socket to accept a compatible SFP optical fiber module that supports up to 3G, 6G or 12G-SDI video. The module is an optical transmitter and receiver with sockets for optical fiber cables.



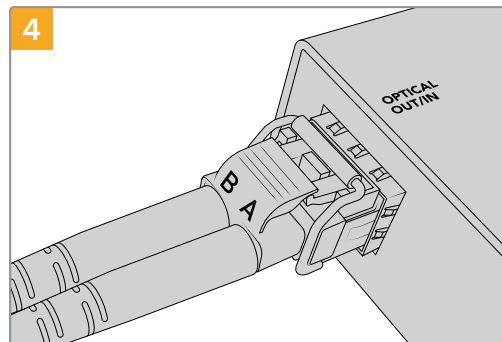
1 Examine the Optical Out/In socket to make sure it is free of dust.



2 Remove the protective cover from the SFP optical fiber module, and insert it in the SFP socket. A locking pin clicks into position to secure the module in the socket.



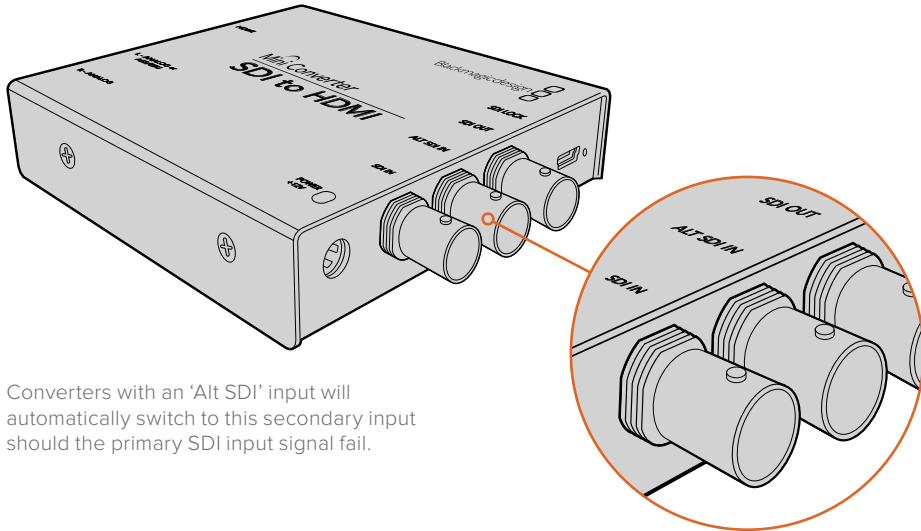
3 The optical fiber cables have latching tabs on top to make sure they don't fall out.



4 Plug in the optical fiber cables. Confirm the Out and In plugs are in the correct sockets, and that the locking tabs on the plugs hold the lever of the SFP optical fiber module upright.

### Fail Safe Alternate SDI inputs

Some Blackmagic Converter models include alternative SDI inputs for redundancy. These inputs are labeled 'Alt SDI In' and will immediately take over should the primary SDI input signal fail. In this rare scenario, the SDI LOCK LED will flash, indicating that the converter has switched to the ALT SDI input.

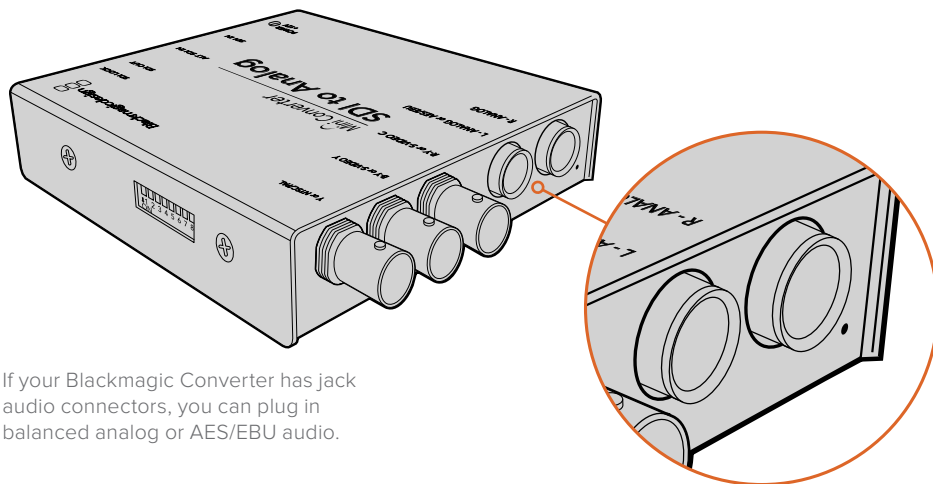


Converters with an 'Alt SDI' input will automatically switch to this secondary input should the primary SDI input signal fail.

## Plugging in Audio

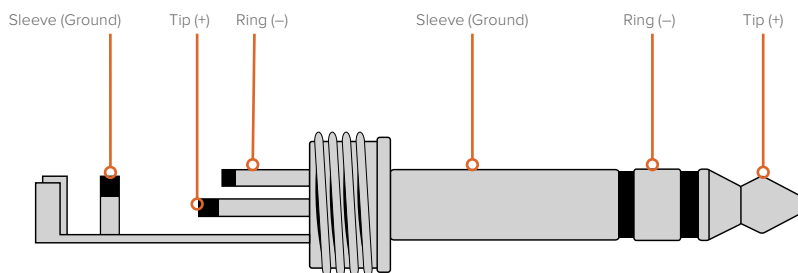
### Jack Audio Connectors

Some Blackmagic Converters have built in 1/4" jacks, so you can easily plug in balanced external analog or digital AES/EBU audio. The 1/4" jacks are balanced TRS connectors. TRS stands for Tip, Ring, Sleeve which refers to the three contacts of the jack connector.



If your Blackmagic Converter has jack audio connectors, you can plug in balanced analog or AES/EBU audio.

Below is an illustration showing the wiring pins inside the male 1/4" jack connector if you want to make your own audio cables.



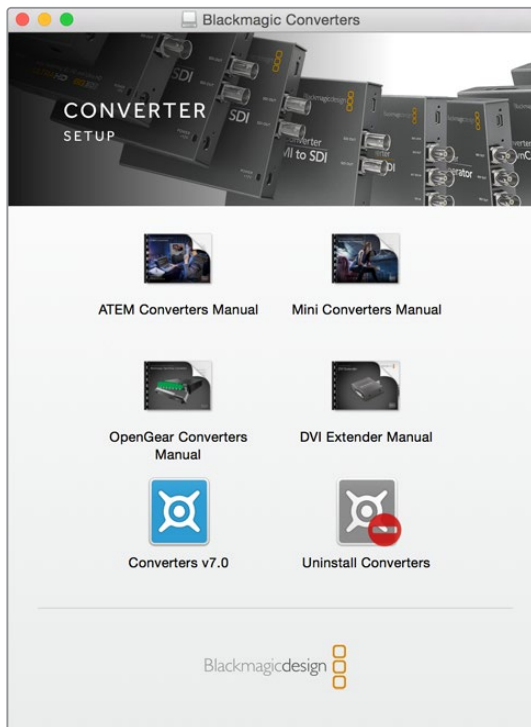
The audio jack illustration on the previous page shows the jack connector's positive, negative and ground wiring pins. If you need to reverse the polarity of your analog audio cable to suit your audio equipment, you can simply swap the positive and negative wiring on the tip and ring pins.

**NOTE** If you are connecting stereo analog audio, it's worth mentioning that if you reverse the polarity for one channel jack connector, make sure you do the same for the second or your stereo analog audio will be out of phase.

## Installing Administration Software

### Installing Blackmagic Converters Setup

Blackmagic Converters Setup is used to change settings on your converter and to update your converter's internal software. The settings available will depend on the converter you are using. However, some Blackmagic Converters don't require any adjustable settings and don't have internal software, therefore these particular converters will not have a USB connector. If your converter is one of these, you can go straight to your converter model in this manual to learn more about it.



Blackmagic Converters Setup can be installed on Mac OS X and Windows computers.



### Installation on Mac OS X

- 1 Download the Blackmagic Converters Setup software from [www.blackmagicdesign.com](http://www.blackmagicdesign.com)
- 2 Unzip the downloaded file and open the resulting disk image to reveal its contents.
- 3 Double click the installer and follow the prompts to complete the installation.
- 4 When the installation has finished, click 'close'. Blackmagic Converters Setup is now installed.

### Installation on Windows

- 1 Download Blackmagic Converters Setup from [www.blackmagicdesign.com](http://www.blackmagicdesign.com)
- 2 Unzip the downloaded file. You should see a Blackmagic Converters Setup folder containing this PDF manual and the Blackmagic Converters Setup installer.
- 3 Double click the installer and follow the prompts to complete the installation.
- 4 Click 'finish' to complete the installation.

Blackmagic Converters Setup is now ready to use.

## Updating the Internal Software

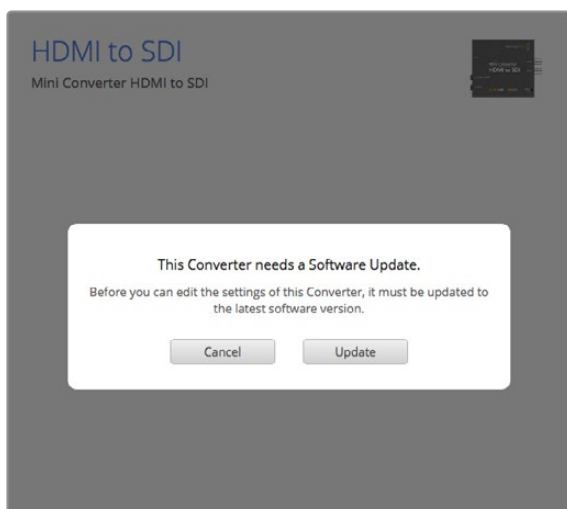
If your Blackmagic Converter has a USB connector, then you may have additional settings you can change, plus you can update your converter with the latest internal software. The latest software can be downloaded from the Blackmagic Design support center at [www.blackmagicdesign.com/support](http://www.blackmagicdesign.com/support).

When updating Blackmagic Micro Converters, power is already supplied via the USB port, so you don't have to worry about connecting power.

On Blackmagic Mini Converters, Battery Converters and Mini Converters Heavy Duty, you'll need to ensure your converter is powered before connecting to your computer via USB.

- 1 Power your converter.
- 2 Attach a USB cable from the computer to the converter and launch the Blackmagic Converter Setup.

Your Blackmagic Converter will be displayed on the setup utility's home page. If you have more than one converter connected via USB, click on the arrow icons on the left or right side of the home page to select your desired converter.



If Blackmagic Converters Setup detects an earlier version of your converter's internal software, it will prompt you to update.

If no converter is connected, the home page will display “no converters found”. If you have a converter connected to your computer via USB, but you don’t have power plugged in, the home page may display ‘no power connected’. Simply plug power into your converter to access the settings.

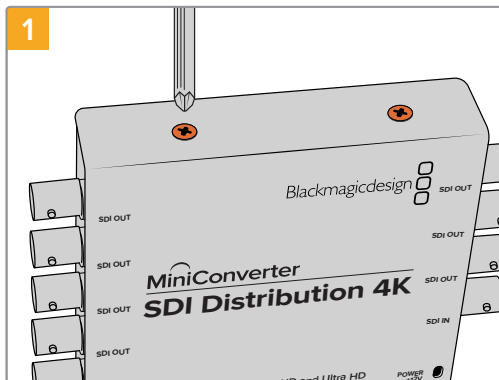
If Blackmagic Converters Setup contains newer internal software than that currently installed in your Blackmagic Converter, it will prompt you to update. Simply follow the on screen instructions to complete the update.

## Updating Mini Converter SDI Distribution 4K

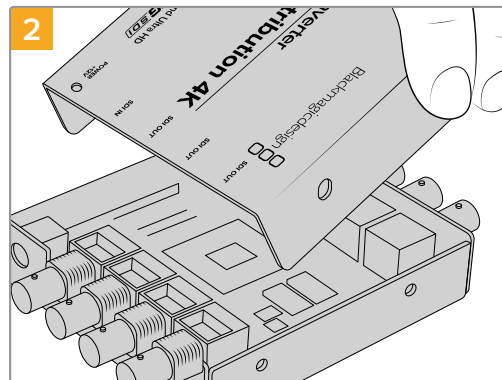
Blackmagic Mini Converter SDI Distribution 4K has an internal USB connector. This mini converter has no user adjustable settings, so you will never need to connect setup software. Very occasionally, though, internal software updates will be released to improve compatibility with some devices. For example, Blackmagic Converters Software version 7.0.9 improves this mini converter’s compatibility with level A 3G SDI signals.

If a particular update applies to the equipment you are using with Mini Converter SDI Distribution 4K, follow these steps to access your mini converter’s USB connector:

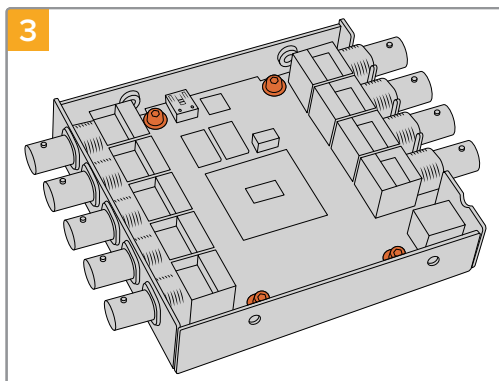
**NOTE** Make sure you disconnect power before accessing your Mini Converter SDI Distribution 4K. We recommend this job is undertaken by a qualified engineer using an anti static strap.



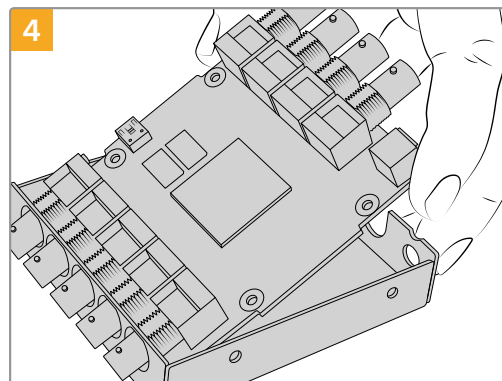
Using a philips head screwdriver, remove the four (M3) screws on the sides of Mini Converter SDI Distribution 4K.



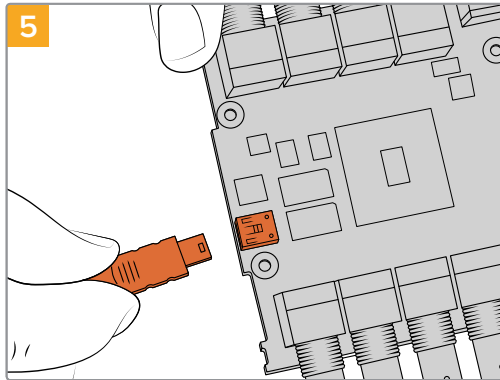
Slide off the external cover.



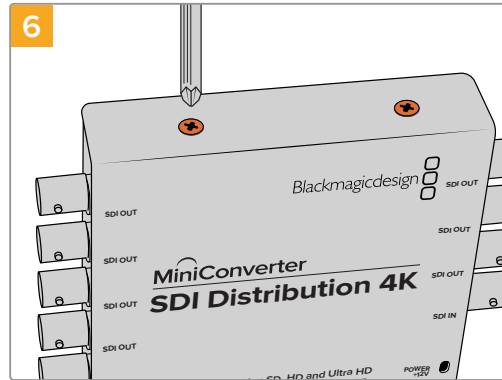
Using a T10 torx screwdriver, remove the four screws connecting the circuit board to Mini Converter SDI Distribution 4K’s frame.



Gently pull the circuit board from the frame to access the USB connector.



Plug in your Mini Converter SDI Distribution 4K's power supply and connect it to a computer using a USB cable. Update the internal software as you would any other mini converter.



Repeat steps 1 - 4 in reverse to reassemble Mini Converter SDI Distribution 4K.

**NOTE** When handling your Mini Converter SDI Distribution 4K's circuit board, be careful to always hold it by the edges to prevent accidentally short circuiting internal components.

## Changing Settings

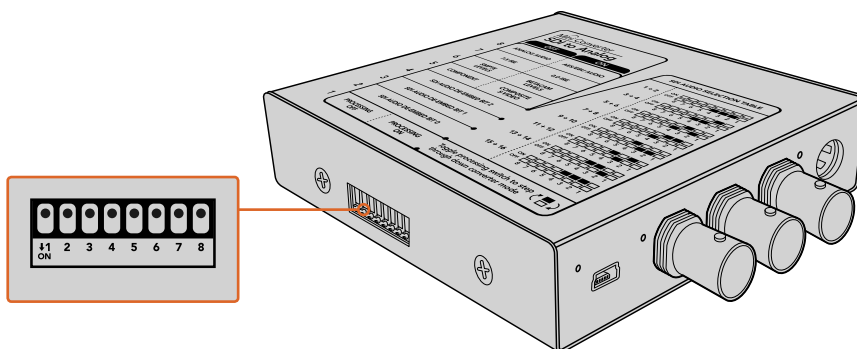
If your Blackmagic Converter has adjustable settings, there are two ways you can change them. You can use the built in switches on the side of your converter, or you can change settings using the Blackmagic Converters Setup utility software. The utility is also used to change any settings that can't be set using the switches, for example analog video and audio levels.

### Changing Settings using Switches

Many Blackmagic Converter models have built in switches.

To change a switch setting simply push the switch up or down using the tip of a pen. This turns the switches on or off. With 8 switches, this gives you many combinations so you can choose exactly the conversion settings you want.

You'll find a switch settings diagram printed on the base of your converter. Ensure your switch settings correspond to the legend by observing the switch numbers from 1 to 8, left to right.



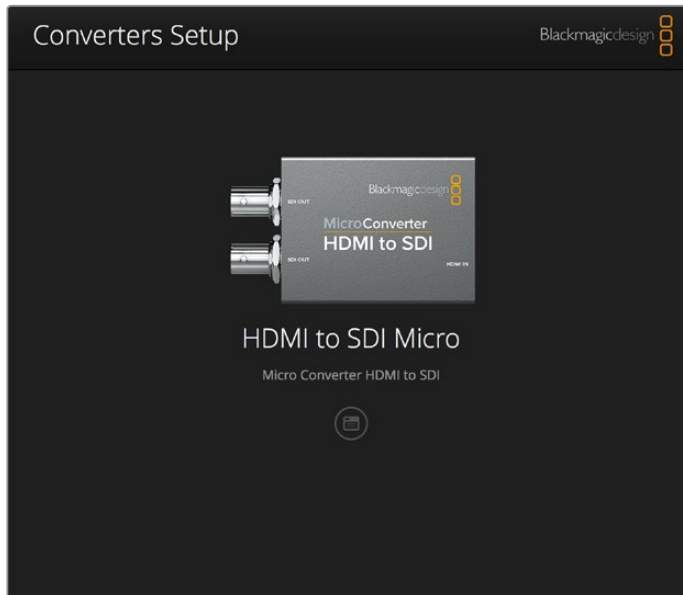
Change settings by adjusting the switches with a pen.



For a full description of the switches and their settings, refer to your converter model in this manual. Even though switch settings are printed on the base of your converter, new features in later updates can add new settings so it's worth checking the latest version of this manual for the most up to date information. You can download the latest version from the Blackmagic Design support center at [www.blackmagicdesign.com/support](http://www.blackmagicdesign.com/support).

## Changing Settings using Blackmagic Converters Setup

Once Blackmagic Converters Setup is installed on your computer, connect the setup utility to your Blackmagic Converter via USB.



The Blackmagic Converters setup utility lets you update your converter's internal software and adjust settings using a Mac OS X or Windows computer.

The first thing you'll see when launching the software is the 'home' page. If you have more than one converter connected to your computer, select your desired converter by clicking the arrows on the left and right side of the Blackmagic Converters Setup home page.

To change settings, click on the 'settings' icon below the image of your Blackmagic Converter. Adjustments will be immediately saved to your converter. This means if power is lost, your settings will be reestablished as soon as power is restored.

Even though most settings are configured using the built in switches, some settings can only be set using the setup software, for example adjusting analog video or audio levels.

**TIP** Teranex Mini Converters are 12G-SDI converters that support even more video formats including up to 4K DCI 60p. If you are looking for information on how to use a Teranex Mini Converter, including how to change settings using the Blackmagic Teranex Setup utility, refer to the Teranex Mini Converters manual. You can download the most up to date manual from the Blackmagic Design support center at [www.blackmagicdesign.com/support](http://www.blackmagicdesign.com/support)

## About Tab

The 'about' tab in Blackmagic Converters Setup is common across all converter models. You can use the settings in this tab to name your Blackmagic Converter. Simply click in the 'name' text box and type your desired converter name. Click 'save' to confirm the change.



The 'about' tab in Blackmagic Converters Setup is used to name your Blackmagic Converter. You can also check the version of the setup software.

The 'Software Information' menu in the 'about' tab identifies which software version your Blackmagic Converter is running. If your converter's internal software is older than the current version that comes with Blackmagic Converters Setup, an update button will be present here that allows you to bring your converter's software up to date.

## Blackmagic Converter Models

Blackmagic Converters provide conversion solutions for all types of conditions. For example, Mini Converters are tough and lightweight so you can mount them on video equipment or video trays, Battery Converters are super strong with a built in rechargeable battery so are portable and self powered and Blackmagic Micro Converters are tiny SDI to HDMI and HDMI to SDI converters that can be powered via USB so are perfect for attaching to monitors and laptop computers.

The following pages contain information about your Blackmagic Converter, plus switch settings and setup software settings.

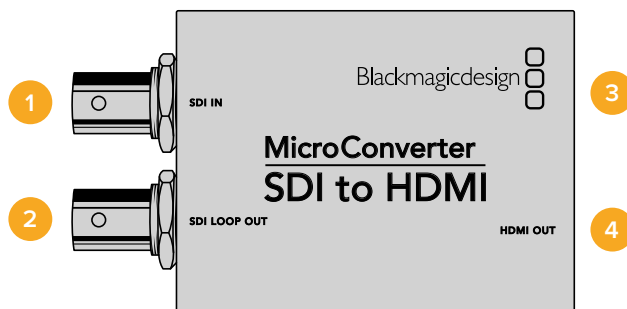
## Teranex Mini Converters

Blackmagic Teranex Mini Converters are 12G-SDI converters that support video formats up to 4K DCI 60p. These converters can be controlled using an optional Teranex Mini Smart Panel with built in LCD, buttons and a rotary knob, and can be powered via Ethernet. If you are looking for information about these converters, including controlling them via the Blackmagic Teranex Setup utility, refer to the Teranex Mini Converters manual which you can download from the Blackmagic Design support center at [www.blackmagicdesign.com/support](http://www.blackmagicdesign.com/support)

# Blackmagic Micro Converters

## Micro Converter SDI to HDMI

With Micro Converter SDI to HDMI you can connect a huge range of HDMI displays and video projectors to SDI based equipment. Your Micro Converter SDI to HDMI automatically detects between SD/HD/3G-SDI and converts to HDMI with embedded audio. This tiny broadcast quality converter is protected by a strong aluminum chassis and powers over USB, meaning you can power your Blackmagic Micro Converter via your laptop or television's USB connector using a common micro USB cable. Micro USB cables are used to connect some cell phones to chargers and laptops, so if you have one of these, you can use the same cable. If the USB connector on your cable is a different type, the correct cable can be purchased from most electronic equipment stores.



## Connectors

- 1 SDI In**  
Primary SDI input BNC connector.
- 2 SDI Loop**  
Loop through output of your SDI input BNC connector.
- 3 Micro USB / Power**  
Provides power from the included adapter or any device capable of providing 5V via a standard USB to Micro USB cable, such as a laptop or television. Also connects to Blackmagic Converters Setup software via your Mac OS X or Windows Computer.
- 4 HDMI Out**  
HDMI type A video output.

## Blackmagic Converters Setup Settings

The Blackmagic Converters Setup utility can be used to change settings and update your Micro Converter's software. You can access these settings by moving between the 'video' and 'about' tabs.

The 'about' tab is detailed in the 'changing settings' section in this manual.

The 'video' tab for Micro Converter SDI to HDMI contains the following settings.



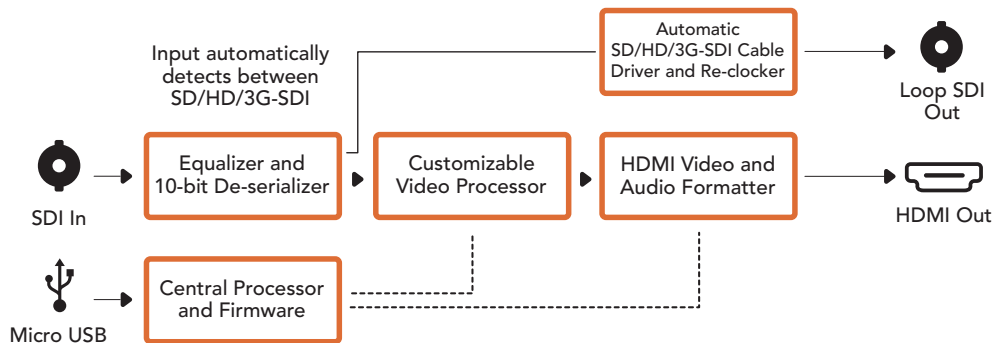


The 'clip video output to legal levels' setting is checked by default. This setting ensures your HDMI output is a true representation of the SDI input.

### Processing menu

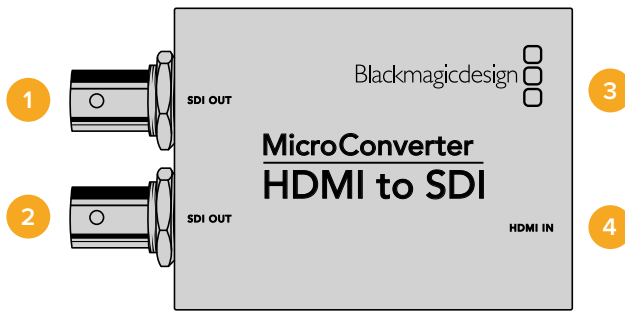
The 'clip video output to legal levels' checkbox controls clipping of your SDI input to ensure that it stays within HDMI legal levels and should be kept on by default.

### Micro Converter SDI to HDMI Block Diagram



## Micro Converter HDMI to SDI

You can use Micro Converter HDMI to SDI to convert HDMI outputs from devices such as HDV cameras and game consoles to SDI. This means you can send video signals from HDMI over SDI using the longest SDI cables. You can even add SDI outputs to computers with HDMI compatibility. This tiny broadcast quality converter is protected by a strong aluminum chassis and powers over USB, meaning you can power your Blackmagic Micro Converter via your laptop or television's USB connector using a common micro USB cable. Micro USB cables are used to connect some cell phones to chargers and laptops, so if you have one of these, you can use the same cable. If the USB connector on your cable is a different type, the correct cable can be purchased from most electronic equipment stores.



## Connectors

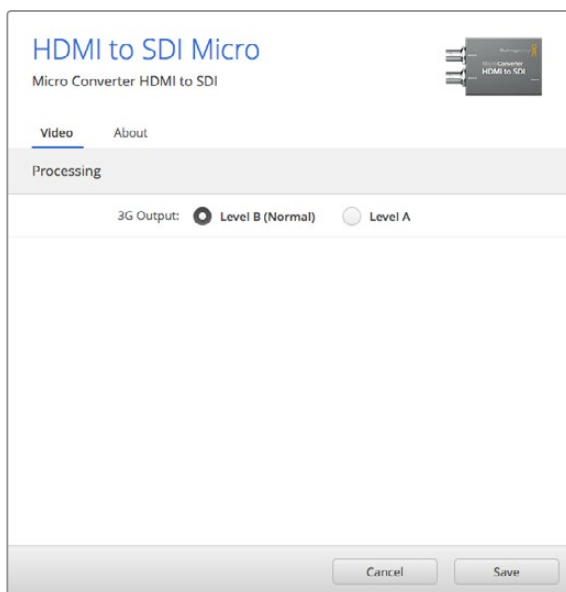
- 1 SDI OUT**  
SDI video output BNC connector.
- 2 SDI OUT**  
Second SDI output.
- 3 Micro USB / Power**  
Provides power from the included adapter or any device capable of providing 5V via a standard USB to Micro USB cable, such as a laptop or television. Also connects to Blackmagic Converters Setup software via your Mac OS X or Windows Computer to update the Micro Converter's internal software.
- 4 HDMI In**  
HDMI type A video input.

## Blackmagic Converters Setup Settings

The Blackmagic Converters Setup utility can be used to change settings and update your Micro Converter's software. You can access these settings by moving between the 'video,' and 'about' tabs.

The 'about' tab is detailed in the 'changing settings' section in this manual.

The 'video' tab for Micro Converter HDMI to SDI contains the following settings.

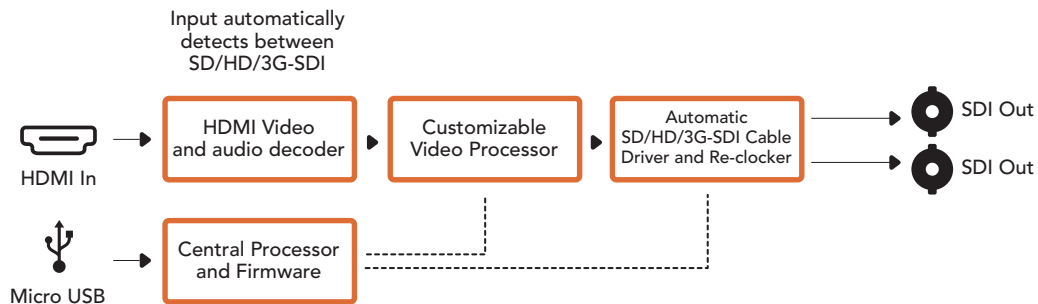


Use the 'video' tab in Blackmagic Converters Setup to toggle SDI levels.

## Processing menu

The '3G Output' menu lets you select between Level A or Level B 3G-SDI. This setting lets you change the 3G-SDI output standard to maintain compatibility with equipment that can only receive level A or level B 3G-SDI video. Level B is the default setting.

## Micro Converter HDMI to SDI Block Diagram



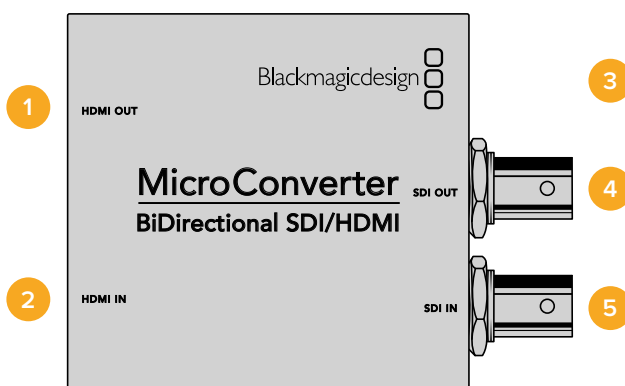
## Micro Converter BiDirectional SDI/HDMI

Micro Converter BiDirectional SDI/HDMI converts SD and HD video from HDMI to SDI, and SDI to HDMI with embedded audio simultaneously. For example, you can convert the HDMI output from an HDV camera to SDI for longer cable lengths, while also converting an SDI return feed to HDMI so you can connect to an HDMI TV.

If you have only one input connected, the SDI and HDMI outputs both become loop outputs so you can feed the input signal to other HDMI and SDI equipment.

Your Micro Converter BiDirectional SDI/HDMI automatically detects SD/HD/3G-SDI input format and sets the output format to match.

This tiny broadcast quality converter is protected by a strong aluminum chassis. It is powered over USB, meaning you can power your Blackmagic Micro Converter BiDirectional SDI/HDMI from your laptop or television's USB connector using a common micro USB cable. Micro USB cables are used to connect some cell phones to chargers and laptops, so if you have one of these, you can use the same cable. If the USB connector on your cable is a different type, the correct cable can be purchased from most electronic equipment stores.



## Connectors

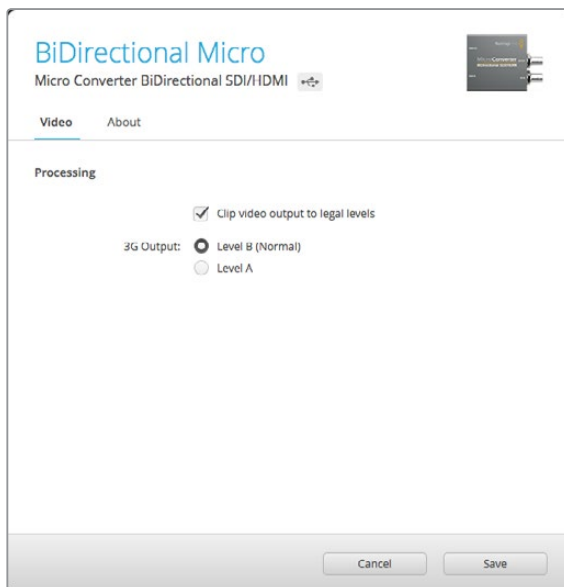
- 1 HDMI Out**  
HDMI type A video output.
- 2 HDMI In**  
HDMI type A video input.
- 3 Micro USB / Power**  
Provides 5V power from any device capable of providing 5V via a standard USB to Micro USB cable, such as a laptop or television. Also connects to Blackmagic Converters Setup software via your Mac OS X or Windows Computer.
- 4 SDI Out**  
SDI video output BNC connector.
- 5 SDI In**  
SDI video input BNC connector.

## Blackmagic Converters Setup Settings

The Blackmagic Converters Setup utility can be used to change settings and update your Micro Converter's software. You can access these settings by moving between the 'video,' and 'about' tabs.

The 'About' tab is described in the 'Changing Settings' section in this manual.

The 'Video' tab for Micro Converter BiDirectional SDI/HDMI contains the following settings.



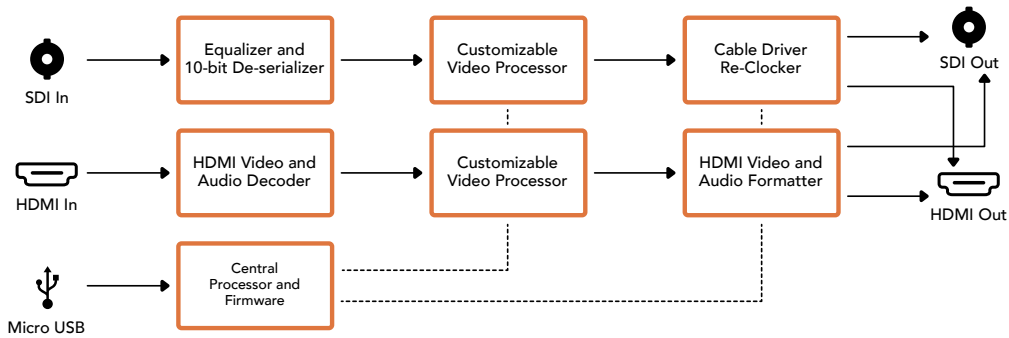
The 'Clip video output to legal levels' setting is checked by default. This setting makes sure your HDMI output is a true representation of the SDI input.

### Processing menu

The 'Clip video output to legal levels' checkbox controls clipping of your SDI input to ensure that it stays within HDMI legal levels and should be kept on by default.

The '3G Output' setting lets you select between Level A or Level B 3G-SDI. This changes the 3G-SDI output standard to maintain compatibility with equipment that can receive only Level A or level B 3G-SDI video. The default setting is Level B.

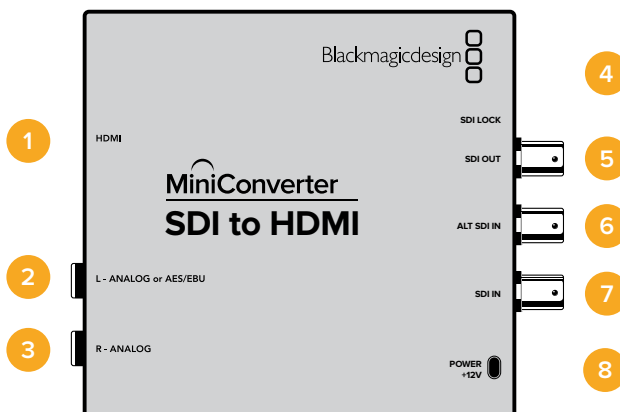
## Micro Converter BiDirectional SDI/HDMI Block Diagram



# Blackmagic Mini Converters

## Mini Converter SDI to HDMI

Mini Converter SDI to HDMI can connect a huge range of HDMI displays and video projectors to SDI based equipment. Your Mini Converter SDI to HDMI automatically detects between SD/HD/3G-SDI and converts to HDMI with embedded audio, plus balanced AES/EBU or analog audio out.



## Connectors

- 1 HDMI**  
HDMI type A video output.
- 2 L - ANALOG or AES/EBU**  
Balanced left channel analog audio, or AES/EBU digital audio output on a 1/4" jack connector.
- 3 R - ANALOG**  
Balanced right channel analog audio output 1/4" jack connector.
- 4 MINI-B USB PORT**  
Connects to the Converters Setup software via your Mac OS X or Windows computer. The Mini Converter's internal software is also updated using the USB port.
- 5 SDI OUT**  
SDI video output on a BNC connector.

- 6 ALT SDI IN**  
Redundant SDI input is provided as an optional back up.
- 7 SDI IN**  
Primary SDI input.
- 8 POWER +12V**  
12 volt power supply input.

## Switches

### Switch 8 - Analog Audio, AES/EBU Audio

Set switch 8 to OFF to select balanced analog audio, or to ON for digital AES/EBU audio output.

### Switch 4 - SDI Audio De-Embed Bit 2

Switches 4, 3 and 2 are grouped together to provide 8 ON/OFF combinations. Having eight different combinations allows eight independent pairs of audio channels to be de-embedded from your SDI input and output to HDMI, analog or AES/EBU audio.

### Switch 3 - SDI Audio De-Embed Bit 1

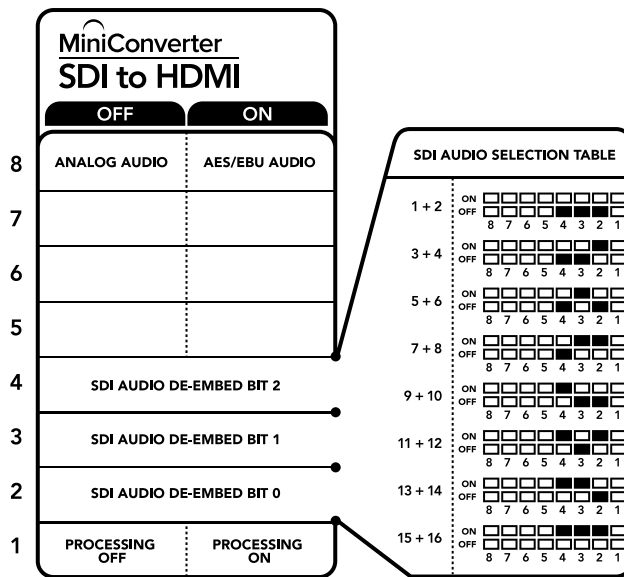
See switch 4 description.

### Switch 2 - SDI Audio De-Embed Bit 0

See switch 4 description.

### Switch 1 - Processing Off - Processing On

This switch is not used.






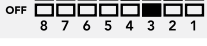
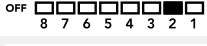
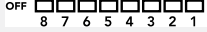


The switch legend on the base of your converter gives you all the information you need to change conversion settings.

### Mini Switch Settings Example

Experiment with the switches by setting your Blackmagic Mini Converter to de-embed SDI audio channels 1 and 2 and output to analog by setting switches 8, 4, 3 and 2 to the OFF position.

## SDI Audio Selection Table

Audio Channels	Switch 4	Switch 3	Switch 2	Switch Diagram
1 and 2	OFF	OFF	OFF	ON OFF 
3 and 4	OFF	OFF	ON	ON OFF 
5 and 6	OFF	ON	OFF	ON OFF 
7 and 8	OFF	ON	ON	ON OFF 
9 and 10	ON	OFF	OFF	ON OFF 
11 and 12	ON	OFF	ON	ON OFF 
13 and 14	ON	ON	OFF	ON OFF 
15 and 16	ON	ON	ON	ON OFF 

## Blackmagic Converters Setup Settings

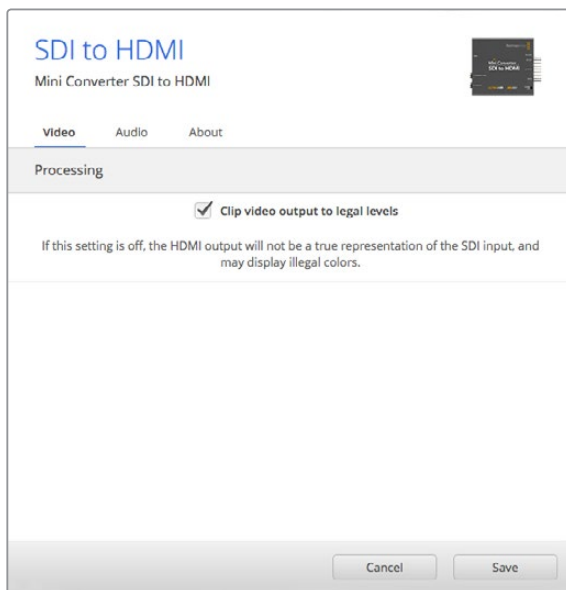
The Converters Setup utility can be used to change settings and update your Mini Converter's software. You can access these settings by moving between the 'video,' 'audio,' and 'about' tabs.

The 'about' tab is detailed in the 'changing settings' section in this manual.

The 'video' tab for Mini Converter SDI to HDMI contains the following settings.

### Processing menu

The 'clip video output to legal levels' checkbox controls clipping of your SDI input to ensure that it stays within HDMI legal levels and should be kept on by default.



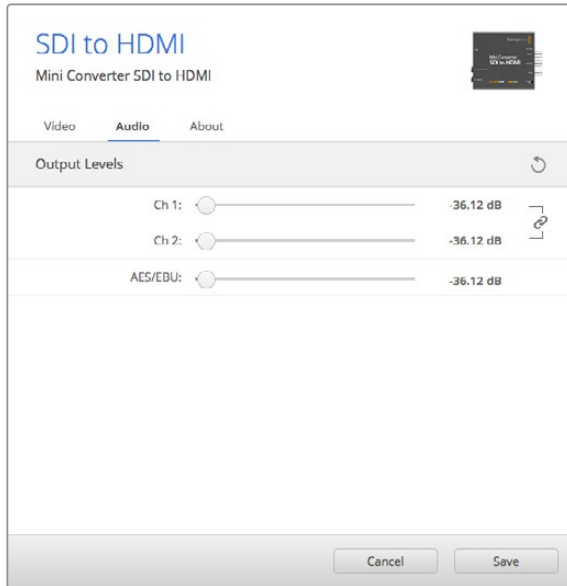
The 'clip video to legal levels' setting is checked by default. This ensures that your HDMI video output stays within legal levels.



The 'audio' tab for Mini Converter SDI to HDMI contains the following settings.

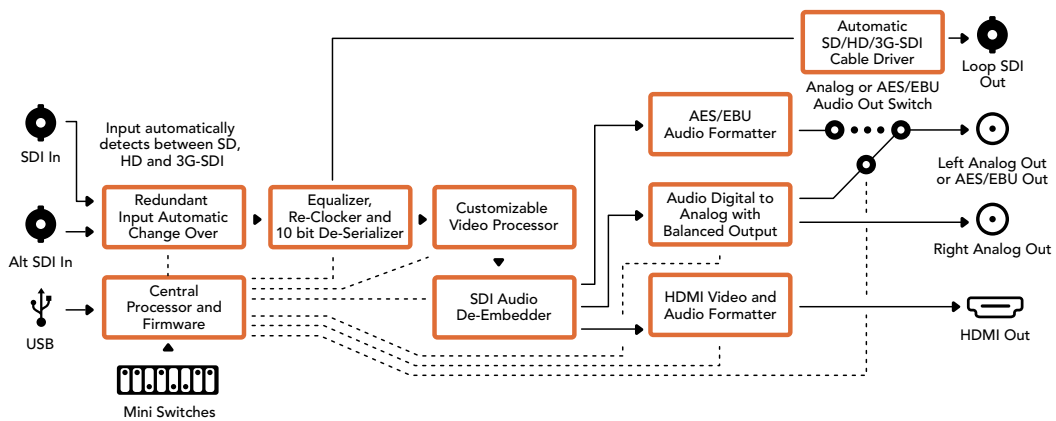
### Output Levels menu

This menu allows you to adjust the gain on the audio output. You can adjust audio levels independently per channel, or together by clicking the 'link' icon next to their sliders. To reset all audio levels back to 0 dB click the 'reset' button at the top of the 'output levels' menu.



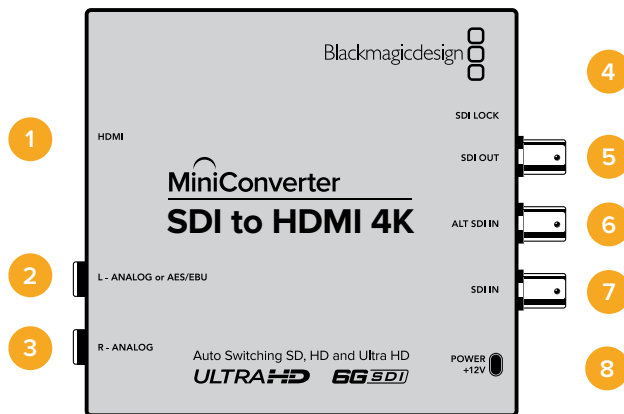
Use the 'audio' tab in Converters Setup to adjust audio levels.

### Mini Converter SDI to HDMI Block Diagram



## Mini Converter SDI to HDMI 4K

With Mini Converter SDI to HDMI 4K and the SDI to HDMI 4K Heavy Duty model, you can connect a huge range of HDMI displays and video projectors to SDI based equipment. Your Mini Converter SDI to HDMI 4K automatically detects between SD/HD/3G/6G-SDI and converts to HDMI with embedded audio, plus balanced AES/EBU or analog audio out. The HDMI instant lock feature lets you lock the HDMI output so that changing sources using the same format is clean and glitch free. If your converter detects an HD monitor or TV connected to the HDMI output and has Ultra HD connected to the SDI input, the Ultra HD source will be automatically down converted so you can view the Ultra HD source on an HD monitor.



## Connectors

- 1 HDMI**  
HDMI type A video output.
- 2 L - ANALOG or AES/EBU**  
Balanced left channel analog audio, or AES/EBU digital audio output 1/4" jack connector.
- 3 R - ANALOG**  
Balanced right channel analog audio output 1/4" jack connector.
- 4 MINI-B USB PORT**  
Connects to the Converters Setup software via your Mac OS X or Windows computer. The Mini Converter's internal software is also updated using the USB port.
- 5 SDI OUT**  
SDI video output BNC connector.
- 6 ALT SDI IN**  
Redundant SDI input is provided as an optional back up.
- 7 SDI IN**  
Primary SDI input.
- 8 POWER +12V**  
12 volt power supply input.

## Switches

**TIP** On the Mini Converter Heavy Duty model, the switches are protected by a rubber dust cover. Simply lift the edge of the cover to access the switches.

Mini Converter SDI to HDMI 4K's switches provide the following settings:

### Switch 8 - Analog Audio, AES/EBU Audio

Set switch 8 to OFF to select balanced analog audio, or to ON for digital AES/EBU audio output.

### Switch 4 - SDI Audio De-Embed Bit 2

Switches 4, 3 and 2 are grouped together to provide 8 ON/OFF combinations. Having eight different combinations allows eight independent pairs of audio channels to be de-embedded from your SDI input and output to HDMI, analog or AES/EBU audio.

### Switch 3 - SDI Audio De-Embed Bit 1

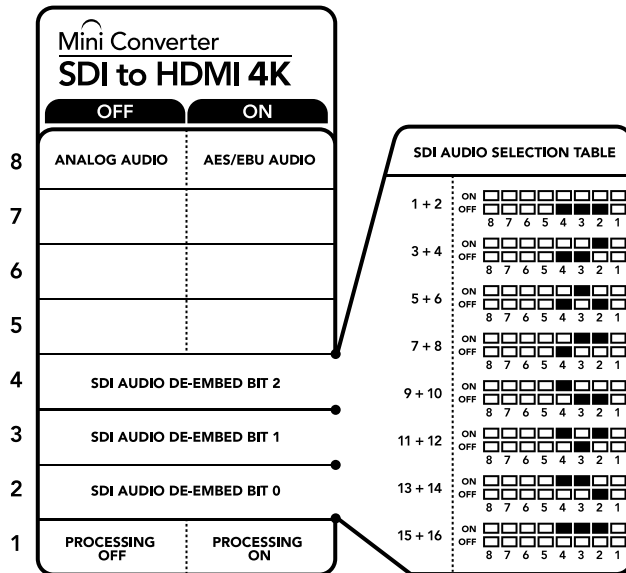
See switch 4 description.

### Switch 2 - SDI Audio De-Embed Bit 0

See switch 4 description.

### Switch 1 - Processing Off - Processing On

This switch is not used.



The switch legend on the base of your converter gives you all the information you need to change conversion settings.

### Mini Switch Settings Example

Experiment with the switches by setting your Blackmagic Mini Converter to de-embed SDI audio channels 1 and 2 and output to analog by setting switches 8, 4, 3 and 2 to the OFF position.

### SDI Audio Selection Table

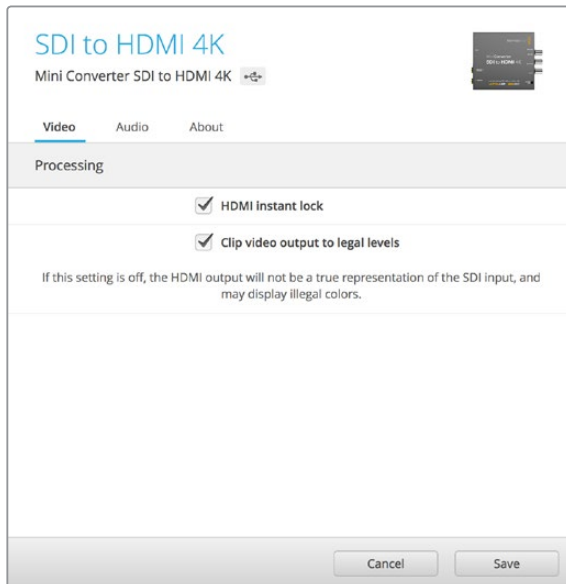
Audio Channels	Switch 4	Switch 3	Switch 2	Switch Diagram
1 and 2	OFF	OFF	OFF	ON OFF <input type="checkbox"/> <input type="checkbox"/> <input type="checkbox"/> <input type="checkbox"/> <input type="checkbox"/> <input type="checkbox"/> <input type="checkbox"/> <input type="checkbox"/> 8 7 6 5 4 3 2 1
3 and 4	OFF	OFF	ON	ON OFF <input type="checkbox"/> <input type="checkbox"/> <input type="checkbox"/> <input type="checkbox"/> <input type="checkbox"/> <input type="checkbox"/> <input type="checkbox"/> <input checked="" type="checkbox"/> 8 7 6 5 4 3 2 1
5 and 6	OFF	ON	OFF	ON OFF <input type="checkbox"/> <input type="checkbox"/> <input type="checkbox"/> <input type="checkbox"/> <input checked="" type="checkbox"/> <input type="checkbox"/> <input type="checkbox"/> <input type="checkbox"/> 8 7 6 5 4 3 2 1
7 and 8	OFF	ON	ON	ON OFF <input type="checkbox"/> <input type="checkbox"/> <input type="checkbox"/> <input type="checkbox"/> <input checked="" type="checkbox"/> <input checked="" type="checkbox"/> <input type="checkbox"/> <input type="checkbox"/> 8 7 6 5 4 3 2 1
9 and 10	ON	OFF	OFF	ON OFF <input type="checkbox"/> <input type="checkbox"/> <input type="checkbox"/> <input checked="" type="checkbox"/> <input type="checkbox"/> <input type="checkbox"/> <input type="checkbox"/> <input type="checkbox"/> 8 7 6 5 4 3 2 1
11 and 12	ON	OFF	ON	ON OFF <input type="checkbox"/> <input type="checkbox"/> <input type="checkbox"/> <input checked="" type="checkbox"/> <input checked="" type="checkbox"/> <input type="checkbox"/> <input type="checkbox"/> 8 7 6 5 4 3 2 1
13 and 14	ON	ON	OFF	ON OFF <input type="checkbox"/> <input type="checkbox"/> <input type="checkbox"/> <input checked="" type="checkbox"/> <input checked="" type="checkbox"/> <input type="checkbox"/> <input type="checkbox"/> 8 7 6 5 4 3 2 1
15 and 16	ON	ON	ON	ON OFF <input type="checkbox"/> <input type="checkbox"/> <input type="checkbox"/> <input checked="" type="checkbox"/> <input checked="" type="checkbox"/> <input checked="" type="checkbox"/> <input checked="" type="checkbox"/> 8 7 6 5 4 3 2 1

## Blackmagic Converters Setup Settings

The Converters Setup utility can be used to change settings and update your Mini Converter's software. You can access these settings by moving between the 'video,' 'audio,' and 'about' tabs.

The 'about' tab is detailed in the 'changing settings' section in this manual.

The 'video' tab for Mini Converter SDI to HDMI 4K contains the following settings.



The 'clip video to legal levels' setting is checked by default. This ensures that your HDMI video output stays within legal levels.

### Processing menu

- **HDMI Instant Lock**

Select this checkbox to enable the HDMI instant lock feature. When HDMI instant lock is enabled, the HDMI output signal is kept active even when changing sources. This means your converter does not have to wait for the HDMI television or monitor to lock before displaying the video output as the HDMI signal is already locked. It's important to note that this feature only works when changing sources using the same video standard.

The HDMI instant lock feature can introduce a small delay in video and audio, so if you need zero delay in your converted output you can bypass the HDMI instant lock feature by deselecting the checkbox.

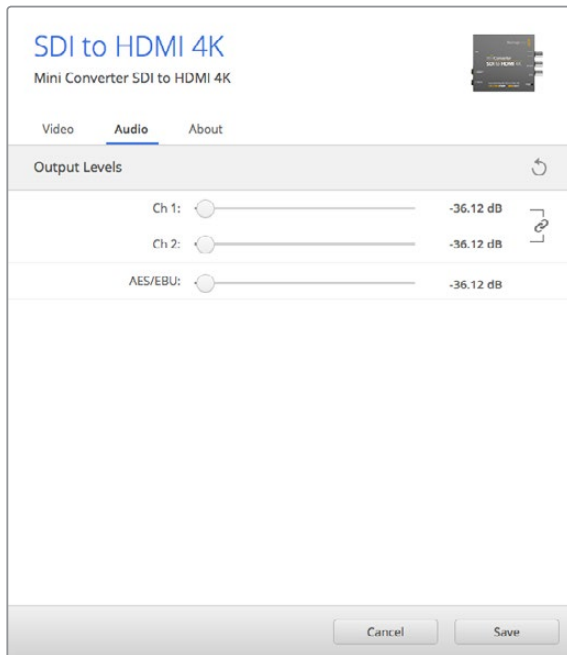
- **Clip Video Output to Legal Levels**

This checkbox controls clipping of your SDI input to ensure that it stays within HDMI legal levels and should be kept on by default.

### Output Levels menu

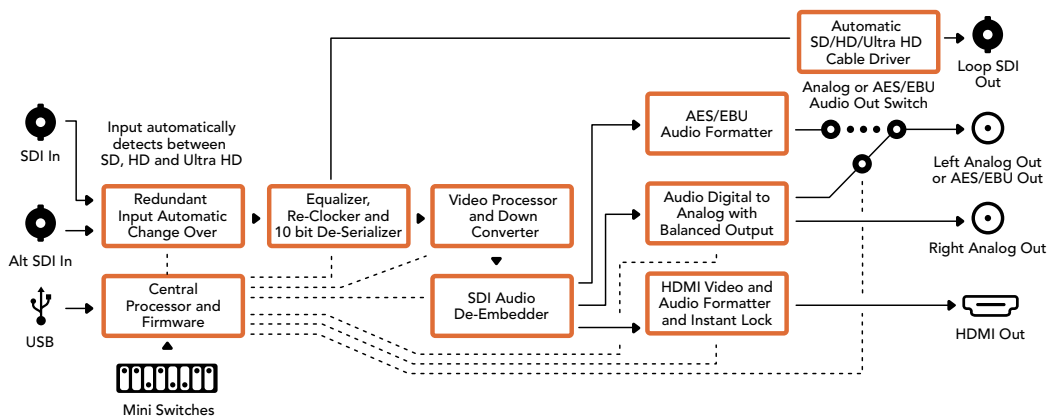
This menu allows you to adjust the gain on the audio output. You can adjust audio levels independently per channel, or together by clicking the 'link' icon next to their sliders. To reset all audio levels back to 0 dB click the 'reset' button at the top of the 'output levels' menu.

The 'audio' tab for Mini Converter SDI to HDMI 4K contains the following settings.



Use the 'audio' tab in Converters Setup to adjust audio levels.

### Mini Converter SDI to HDMI 4K Block Diagram

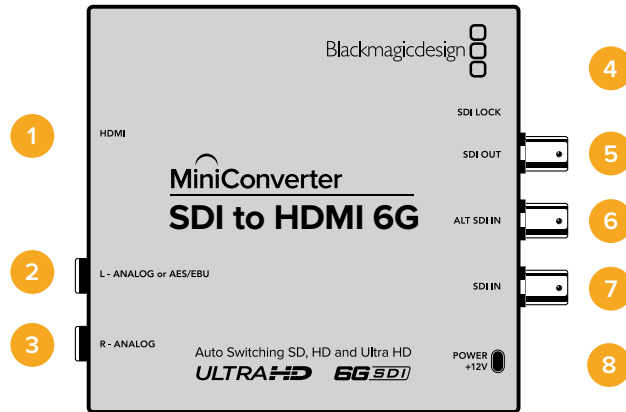


### Mini Converter SDI to HDMI 6G

With Mini Converter SDI to HDMI 6G, you can connect a huge range of HDMI displays and video projectors to SDI based equipment. Your Mini Converter SDI to HDMI 6G automatically detects between SD SDI, HD-SDI, 3G-SDI and 6G-SDI input sources and converts to HDMI with embedded audio, plus balanced AES/EBU or analog audio out.

The HDMI instant lock feature lets you lock the HDMI output so that changing sources using the same format is clean and glitch free. If your converter detects an HD monitor or TV connected to the HDMI output and has Ultra HD connected to the SDI input, the Ultra HD source will be automatically down converted so you can view the Ultra HD source on an HD monitor.

You can also load 3D LUTs for adding looks, grades, and color profiles to your converted output. The 3D LUT is a full 33 point hardware lookup table for greater accuracy with color manipulation and can even be used to accurately color calibrate consumer televisions so they can be used for critical color correction work. The 3D LUT also allows color space conversions so different color spaces can be used with various displays. Your Mini Converter SDI to HDMI 6G comes with two default LUTs, including color to monochrome and Blackmagic camera default color space to REC 709.



## Connectors

- 1 HDMI**  
HDMI type A video output.
- 2 L - ANALOG or AES/EBU**  
Balanced left channel analog audio, or AES/EBU digital audio output 1/4" jack connector.
- 3 R - ANALOG**  
Balanced right channel analog audio output 1/4" jack connector.
- 4 MINI-B USB PORT**  
Connects to the Converters Setup software via your Mac OS X or Windows computer. The Mini Converter's internal software is also updated using the USB port.
- 5 SDI OUT**  
SDI video output BNC connector
- 6 ALT SDI IN**  
Redundant SDI input is provided as an optional back up.
- 7 SDI IN**  
Primary SDI input.
- 8 POWER +12V**  
12 volt power supply input.

## Switches

Mini Converter SDI to HDMI 6G's switches provide the following settings:

### Switch 8 - Analog Audio, AES/EBU Audio

Set switch 8 to OFF to select balanced analog audio, or to ON for digital AES/EBU audio output.

### Switch 7 - LUT Off, LUT On

Set Switch 7 to OFF to disable the LUT, or to ON to enable the LUT.

### Switch 6 - LUT 1, LUT2

Set Switch 6 to OFF to select LUT 1, or to ON to select LUT 2.

### Switch 5 - LUT On Loop Off, LUT On Loop On

Set Switch 5 to OFF to select LUT On Loop Off, or to ON to select LUT On Loop On.

### Switch 4 - SDI Audio De-Embed Bit 2

Switches 4, 3 and 2 are grouped together to provide 8 ON/OFF combinations. Having eight different combinations allows eight independent pairs of audio channels to be de-embedded from your SDI input and output to HDMI, analog or AES/EBU audio.

### Switch 3 - SDI Audio De-Embed Bit 1

See switch 4 description.

### Switch 2 - SDI Audio De-Embed Bit 0

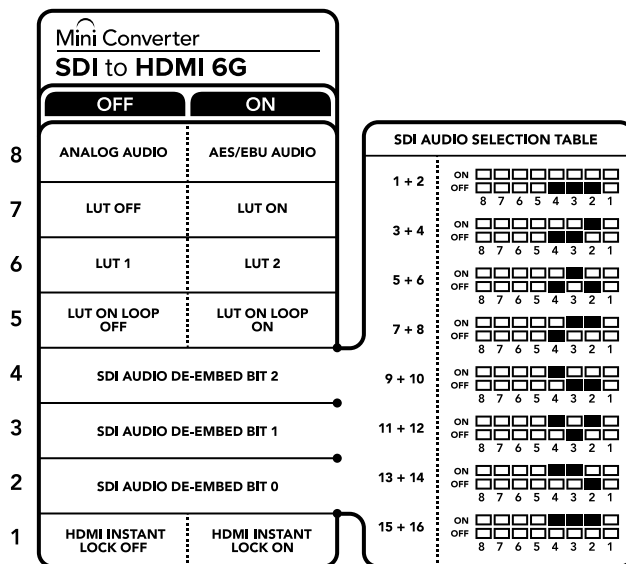
See switch 4 description.

### Switch 1 - HDMI Instant Lock Off, HDMI Instant Lock On

Set switch 1 to OFF to select HDMI Instant Lock Off, or to ON to select HDMI Instant Lock On.

When HDMI instant lock is enabled, the HDMI output signal is kept active even when changing sources. This means your converter does not have to wait for the HDMI television or monitor to lock before displaying the video output as the HDMI signal is already locked. It's important to note that this feature only works when changing sources using the same video standard.

The HDMI instant lock feature can introduce a small delay in video and audio, so if you need zero delay in your converted output you can bypass the HDMI instant lock feature by turning HDMI Instant Lock OFF.







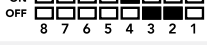


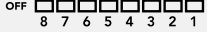
The switch legend on the base of your converter gives you all the information you need to change conversion settings

### Mini Switch Settings Example

Experiment with the switches by setting your Blackmagic Mini Converter to de-embed SDI audio channels 1 and 2 and output to analog by setting switches 8, 4, 3 and 2 to the OFF position.



## SDI Audio Selection Table

Audio Channels	Switch 4	Switch 3	Switch 2	Switch Diagram
1 and 2	OFF	OFF	OFF	ON OFF 
3 and 4	OFF	OFF	ON	ON OFF 
5 and 6	OFF	ON	OFF	ON OFF 
7 and 8	OFF	ON	ON	ON OFF 
9 and 10	ON	OFF	OFF	ON OFF 
11 and 12	ON	OFF	ON	ON OFF 
13 and 14	ON	ON	OFF	ON OFF 
15 and 16	ON	ON	ON	ON OFF 

## Blackmagic Converters Setup Settings

The Converters Setup utility can be used to change settings and update your Mini Converter's software. You can access these settings by moving between the 'video,' 'audio,' and 'about' tabs. The 'about' tab is detailed in the 'changing settings' section in this manual.

The 'video' tab for Mini Converter SDI to HDMI 6G contains the following settings.



The 'clip video output to legal levels' setting is checked by default. This ensures that your HDMI video output stays within legal levels.

## Processing menu

### ▪ 33 Point 3D LUT

Your Mini Converter SDI to HDMI 6G supports .cube LUT files that can be created using DaVinci Resolve software, or other color correction software that can export .cube files.

You can load 2 separate LUTs by clicking on the 'load' button for each LUT slot, selecting the desired .cube file from your computer, and clicking 'OK'. Click 'save' to confirm your settings. The LUT filename will appear next to each 'load' button so you know which LUT is being used for LUT 1 or LUT 2.

### ▪ What is a 3D LUT?

A 3D LUT, or '3D Lookup Table', is a file containing table of values that are used to modify the video colorspace to a new set of color values in a 3D cube space.

The color cube contains all the variations between the mix of each primary color, defined within three x, y, z spatial dimensions. This means the RGB channels in the SDI input video can be remapped to any other RGB output color in the HDMI video output. This is very powerful as it means any color can be mapped to any other color so you can perform very precise color adjustments for calibrating displays, or loading log gamma curves for display when working with different types of raw camera files on set where you want to see linear gamma.

To show how powerful 3D LUTs can be, one of the default LUTs loaded can convert your input video to black and white. This shows that all the input RGB colors are remapped via the 3D LUT to black and white RGB output values via the HDMI output. You can create your own 3D LUTs and upload them via the admin software and DaVinci Resolve even allows you to convert a color grade setting to a 3D LUT that you can then upload to your Mini Converter SDI to HDMI 6G. You can output the 3D LUT on the SDI video loop output so you could even use your Mini Converter as a dedicated 3D LUT color processor even if you don't use the HDMI output!

For more information on how to create a 3D LUT .cube file, refer to the DaVinci Resolve manual which you can download from the Blackmagic Design website at [www.blackmagicdesign.com/support](http://www.blackmagicdesign.com/support).

### ▪ Clip Video Output to Legal Levels

This checkbox controls clipping of your SDI input to ensure that it stays within HDMI legal levels and should be kept on by default.

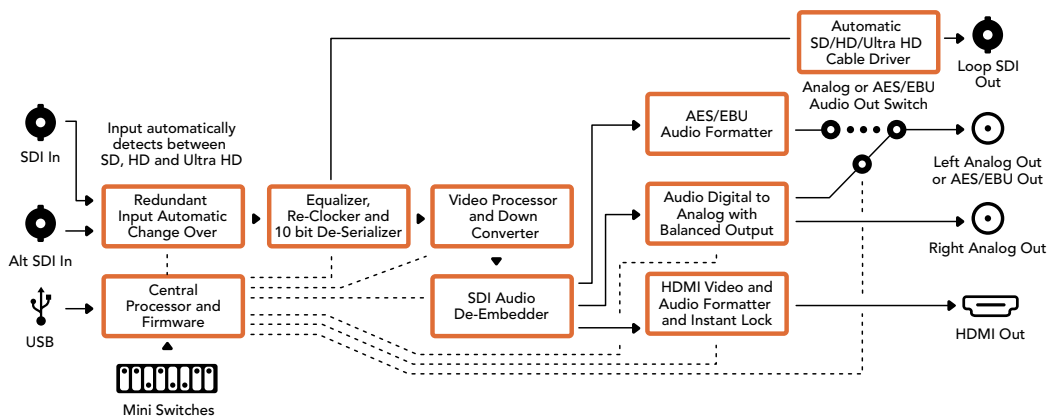
## Output Levels menu

This menu allows you to adjust the gain on the audio output. You can adjust audio levels independently per channel, or together by clicking the 'link' icon next to their sliders. To reset all audio levels back to 0 dB click the 'reset' button at the top of the 'output levels' menu. The 'audio' tab for Mini Converter SDI to HDMI 6G contains the following settings.



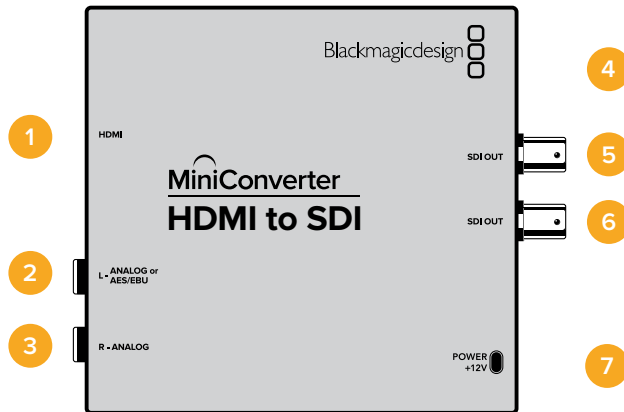
Use the 'audio' tab in Converters Setup to adjust audio levels

### Mini Converter SDI to HDMI 6G Block Diagram



### Mini Converter HDMI to SDI

Your Mini Converter HDMI to SDI can convert HDMI outputs from devices such as HDV cameras and game consoles to SDI with the choice to embed audio from HDMI, AES/EBU or balanced analog audio inputs. This means you can send video signals from HDMI over SDI using the longest SDI cables. You can even add SDI outputs to computers with HDMI compatibility. This converter also includes HD to SD down conversion.



## Connectors

- 1 HDMI**  
HDMI type A video input.
- 2 L - ANALOG or AES/EBU**  
Balanced left channel analog audio or AES/EBU digital audio input on a 1/4" jack connector.
- 3 R - ANALOG**  
Balanced right channel analog audio input 1/4" jack connector.
- 4 MINI-B USB PORT**  
Connects to the Converters Setup software via your Mac OS X or Windows computer. The Mini Converter's internal software is also updated using the USB port.
- 5 SDI OUT**  
SDI video output on a BNC connector.
- 6 SDI OUT**  
Second SDI output.
- 7 POWER +12V**  
12 volt power supply input.

## Switches

Mini Converter HDMI to SDI's switches provide the following settings:

### Switch 8 - Analog Audio, AES/EBU Audio

Set switch 8 to OFF to select balanced analog audio, or to ON for digital AES/EBU audio input. To use these inputs Switch 7 must also be set to ON.

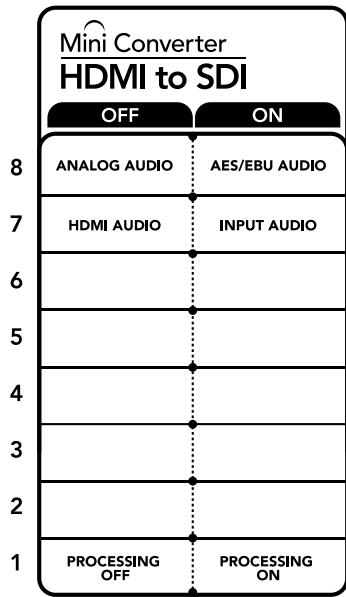
### Switch 7 - HDMI Audio - Input Audio

Set switch 7 to OFF to select embedded HDMI audio, or to ON for analog or AES/EBU audio.

### Switch 1 - Processing Off - Processing On

Down convert HD to SD with 3 types of aspect ratios by cycling through switch 1. For example, each time you cycle between OFF and On you apply anamorphic, center cut or letterbox aspect ratios. Leaving switch 1 set to OFF bypasses the down converter and outputs in HD.

When connected to the Blackmagic Converters Setup via USB, your down conversion settings are controlled by the software. If you want the converter to remember your software settings, disconnect from the computer, power cycle your converter and set your down conversion using mini switch 1.



The switch legend on the base of your converter gives you all the information you need to change conversion settings.

## Blackmagic Converters Setup Settings

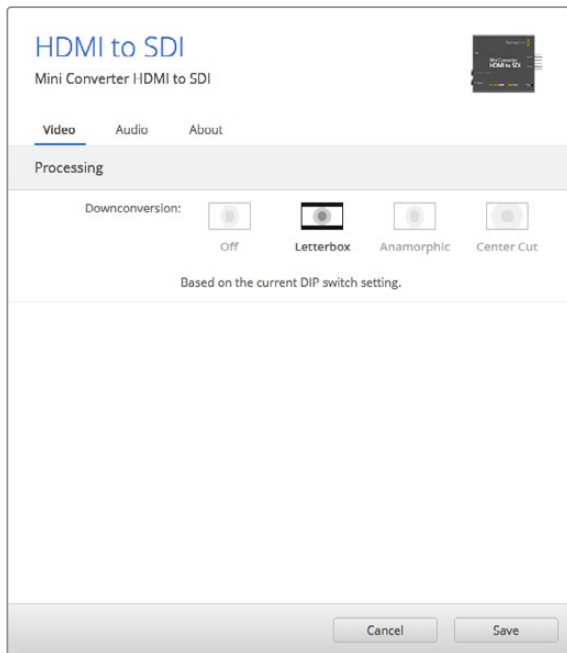
The Converters Setup utility can be used to change settings and update your Mini Converter’s software. You can access these settings by moving between the ‘video,’ ‘audio,’ and ‘about’ tabs.

The ‘about’ tab is detailed in the ‘changing settings’ section in this manual.

The ‘video’ tab for Mini Converter HDMI to SDI contains the following settings.

### Processing menu

This menu lets you select the aspect ratio of content that is down converted from HD to SD. The options are ‘letterbox,’ ‘anamorphic,’ ‘center cut,’ or ‘off.’

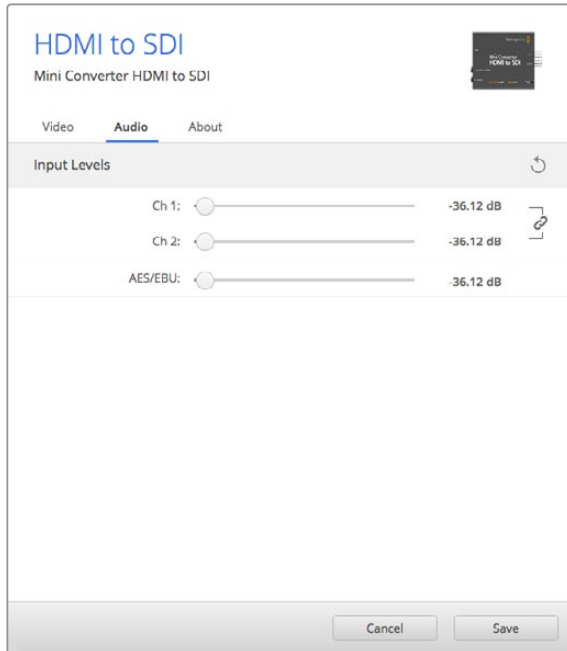


Use the ‘video’ tab in Converters Setup to adjust processing settings.

The 'audio' tab for Mini Converter HDMI to SDI contains the following settings.

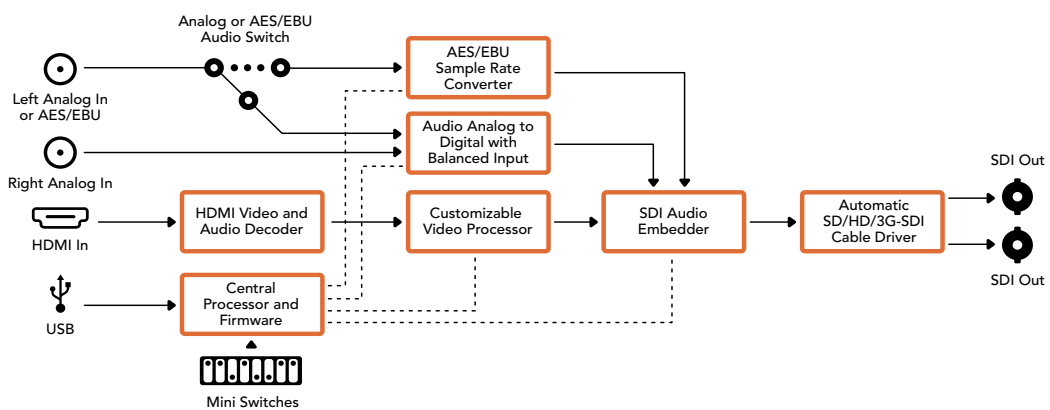
### Input Levels menu

This menu allows you to adjust the gain on the audio input. You can adjust audio levels independently per channel, or together by clicking the 'link' icon next to their sliders. To reset all audio levels back to 0 dB click the 'reset' button at the top of the 'input levels' menu.



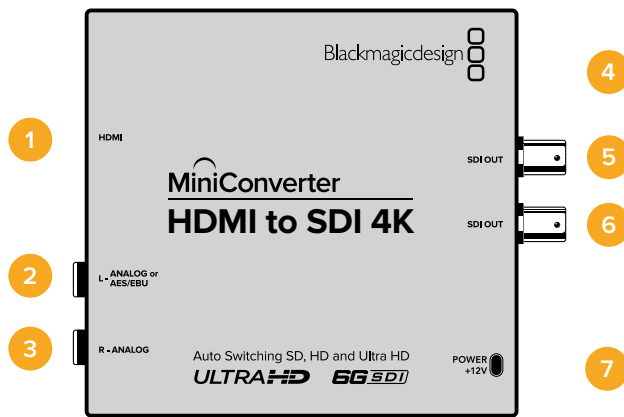
Use the 'audio' tab in Converters Setup to adjust audio levels.

### Mini Converter HDMI to SDI Block Diagram



### Mini Converter HDMI to SDI 4K

Your Mini Converter HDMI to SDI 4K and the HDMI to SDI 4K Heavy Duty model can convert HDMI outputs from devices such as HDV cameras and game consoles to SDI with the choice to embed audio from HDMI, AES/EBU or balanced analog audio inputs. This means you can send video signals from HDMI over SDI using the longest SDI cables. You can even add SDI outputs to computers with HDMI compatibility.



## Connectors

- 1 HDMI**  
HDMI type A video input.
- 2 L - ANALOG or AES/EBU**  
Balanced left channel analog audio or AES/EBU digital audio input 1/4" jack connector.
- 3 R - ANALOG**  
Balanced right channel analog audio input 1/4" jack connector.
- 4 MINI-B USB PORT**  
Connects to the Converters Setup software via your Mac OS X or Windows computer. The Mini Converter's internal software is also updated using the USB port.
- 5 SDI OUT**  
SDI video output BNC connector.
- 6 SDI OUT**  
Second SDI output.
- 7 POWER +12V**  
12 volt power supply input.

## Switches

**TIP** On the Mini Converter Heavy Duty model, the switches are protected by a rubber dust cover. Simply lift the edge of the cover to access the switches.

Mini Converter HDMI to SDI 4K's switches provide the following settings:

### Switch 8 - Analog Audio, AES/EBU Audio

Set switch 8 to OFF to select balanced analog audio, or to ON for digital AES/EBU audio input. To use these inputs Switch 7 must also be set to ON.

### Switch 7 - HDMI Audio - Input Audio

Set switch 7 to OFF to select embedded HDMI audio, or to ON for analog or AES/EBU audio.



### Switches 2, 1 - Select Format Bit 1,0

When connecting an HDMI source that can output Ultra HD and HD, you can set your converter to force the source output to one or the other. This can be helpful when you want to record or display your computer's desktop on SDI equipment in HD so it is larger and easy to view.

While it may appear like it's an up or down conversion setting, what your converter is actually doing is telling your source equipment to output Ultra HD or HD video so that your converter can then output the source video's native HD or Ultra HD resolution without up or down conversion.

To force your source video to HD, Ultra HD, or to let your converter automatically negotiate the optimum resolution with your source equipment, simply use combinations of switches 1 and 2.

The combination settings are shown below.

#### **AUTO - switch 1 to OFF, switch 2 to OFF.**

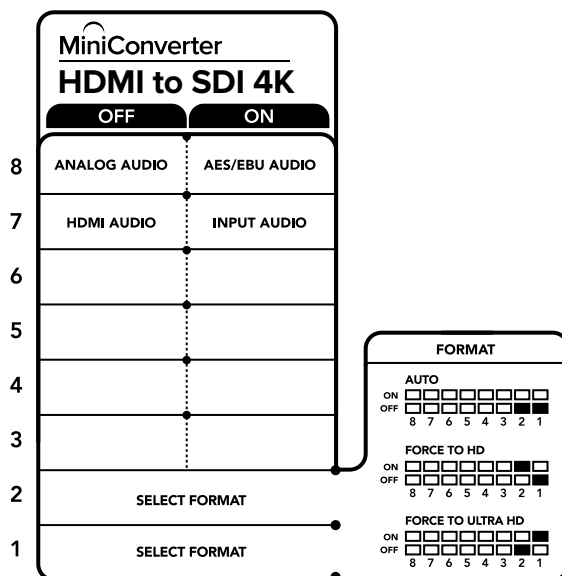
Your converter will negotiate an optimum HD or Ultra HD resolution with your source equipment based on its output capabilities.

#### **FORCE TO HD - switch 1 to OFF, switch 2 to ON.**

If your HDMI source equipment is capable of outputting HD and Ultra HD, your converter will instruct the source equipment to output HD video.

#### **FORCE TO ULTRA HD - Switch 1 to ON, Switch 2 to OFF.**

If your HDMI source equipment is capable of outputting HD and Ultra HD, your converter will instruct the source to output Ultra HD video.



The switch legend on the base of your converter gives you all the information you need to change conversion settings.

## Blackmagic Converters Setup Settings

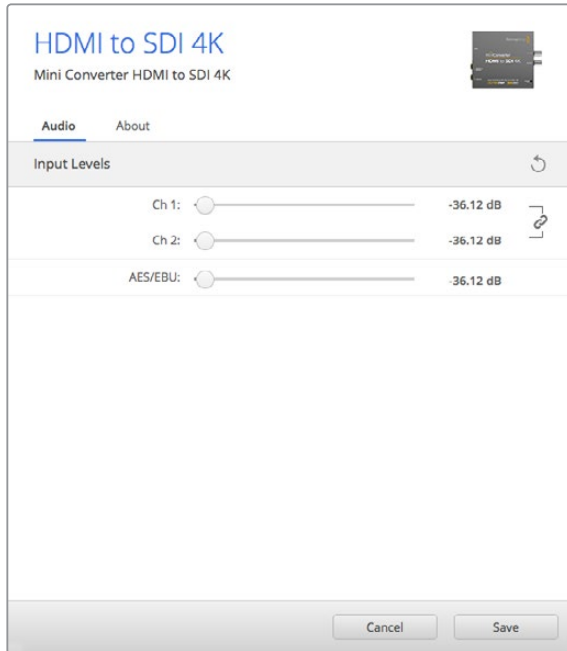
The Converters Setup utility can be used to change settings and update your Mini Converter's software. You can access these settings by moving between the 'audio,' and 'about' tabs.

The 'about' tab is detailed in the 'changing settings' section in this manual.

The 'audio' tab for Mini Converter HDMI to SDI 4K contains the following settings.

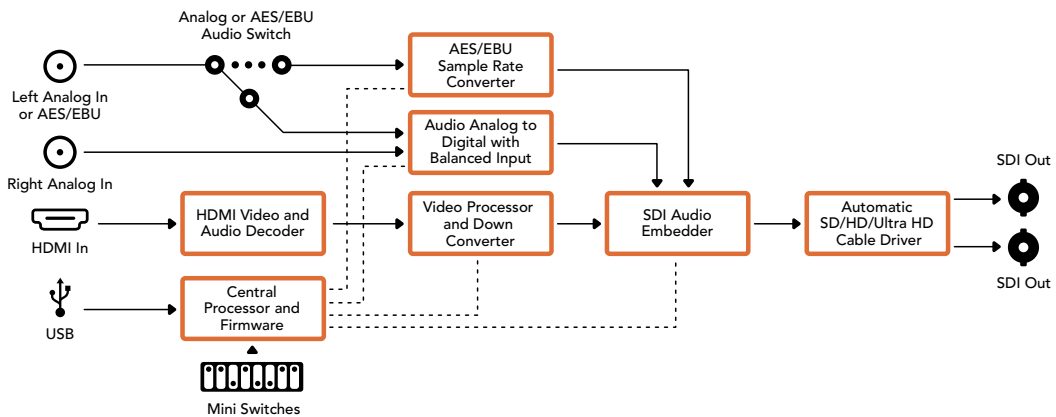
## Input Levels menu

This menu allows you to adjust the gain on the audio input. You can adjust audio levels independently per channel, or together by clicking the 'link' icon next to their sliders. To reset all audio levels back to 0 dB click the 'reset' button at the top of the 'input levels' menu.



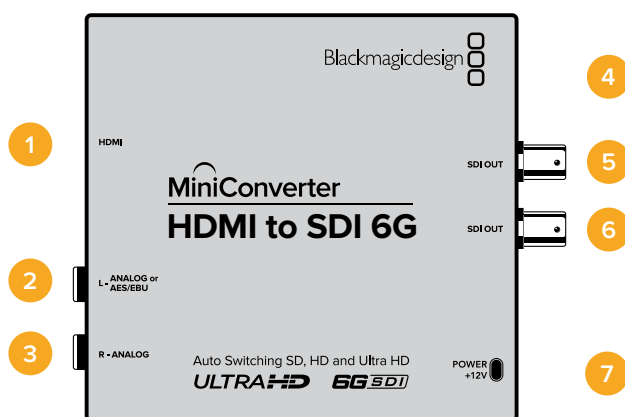
Use the 'audio' tab in Converters Setup to adjust audio levels.

## Mini Converter HDMI to SDI 4K Block Diagram



## Mini Converter HDMI to SDI 6G

Your Mini Converter HDMI to SDI 6G can convert HDMI outputs from devices such as HDV cameras and game consoles to SDI with the choice to embed audio from HDMI, AES/EBU or balanced analog audio inputs. This means you can send video signals from HDMI over SDI using the longest SDI cables. You can even add SDI outputs to computers with HDMI compatibility.



## Connectors

- 1 HDMI**  
HDMI type A video input.
- 2 L - ANALOG or AES/EBU**  
Balanced left channel analog audio or AES/EBU digital audio input 1/4" jack connector.
- 3 R - ANALOG**  
Balanced right channel analog audio input 1/4" jack connector.
- 4 MINI-B USB PORT**  
Connects to the Converters Setup software via your Mac OS X or Windows computer. The Mini Converter's internal software is also updated using the USB port.
- 5 SDI OUT**  
SDI video output BNC connector.
- 6 SDI OUT**  
Second SDI output.
- 7 POWER +12V**  
12 volt power supply input.

## Switches

Mini Converter HDMI to SDI 6G's switches provide the following settings:

### Switch 8 - Analog Audio, AES/EBU Audio

Set switch 8 to OFF to select balanced analog audio, or to ON for digital AES/EBU audio input. To use these inputs Switch 7 must also be set to ON.

### Switch 7 - HDMI Audio, Input Audio

Set switch 7 to OFF to select embedded HDMI audio, or to ON for analog or AES/EBU audio.

### Switch 6 - 3G Level B Output (Normal), 3G Level A Output

Set switch 6 to OFF to select 3G Level B Output, or to ON to select 3G Level A Output

### Switches 2, 1 - Select Format Bit 1,0

When connecting an HDMI source that can output Ultra HD and HD, you can set your converter to force the source output to one or the other. This can be helpful when you want to record or display your computer's desktop on SDI equipment in HD so it is larger and easy to view.

While it may appear like it's an up or down conversion setting, what your converter is actually doing is telling your source equipment to output Ultra HD or HD video so that your converter can then output the source video's native HD or Ultra HD resolution without up or down conversion.

To force your source video to HD, Ultra HD, or to let your converter automatically negotiate the optimum resolution with your source equipment, simply use combinations of switches 1 and 2.

The combination settings are shown below.

**AUTO - switch 1 to OFF, switch 2 to OFF**

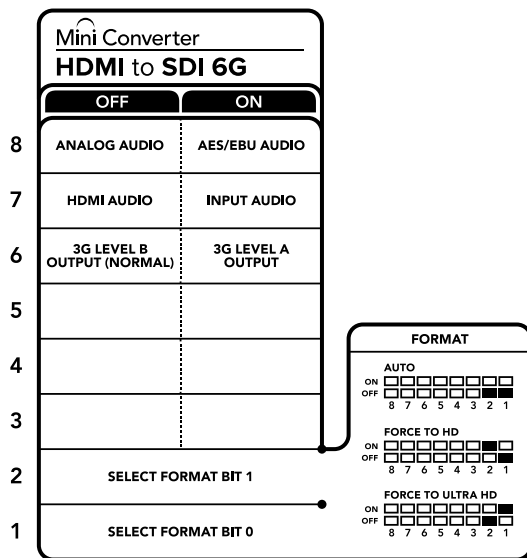
Your converter will negotiate an optimum HD or Ultra HD resolution with your source equipment based on its output capabilities.

**FORCE TO HD - switch 1 to OFF, switch 2 to ON**

If your HDMI source equipment is capable of outputting HD and Ultra HD, your converter will instruct the source equipment to output HD video.

**FORCE TO ULTRA HD - Switch 1 to ON, Switch 2 to OFF**

If your HDMI source equipment is capable of outputting HD and Ultra HD, your converter will instruct the source to output Ultra HD video.



The switch legend on the base of your converter gives you all the information you need to change conversion settings

## Blackmagic Converters Setup Settings

The Converters Setup utility can be used to change settings and update your Mini Converter's software. You can access these settings by moving between the 'audio,' and 'about' tabs. The 'about' tab is detailed in the 'changing settings' section in this manual. The 'audio' tab for Mini Converter HDMI to SDI 6G contains the following settings.

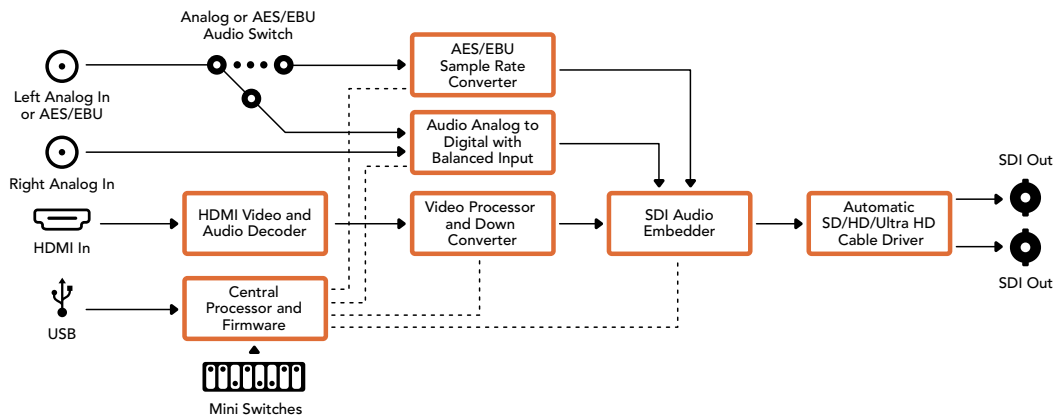
### Input Levels menu

This menu allows you to adjust the gain on the audio input. You can adjust audio levels independently per channel, or together by clicking the 'link' icon next to their sliders. To reset all audio levels back to 0 dB click the 'reset' button at the top of the 'input levels' menu.



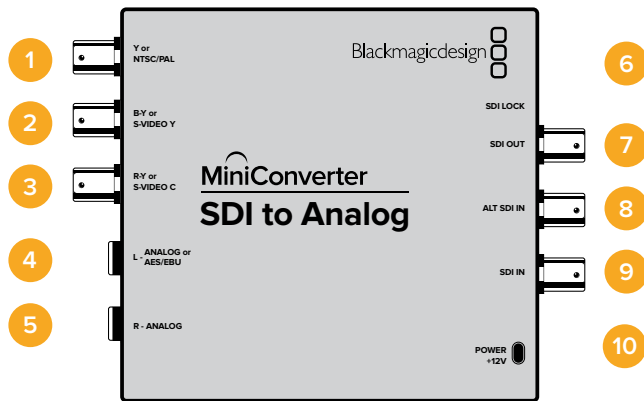
Use the 'audio' tab in Converters Setup to adjust audio levels.

### Mini Converter HDMI to SDI 6G Block Diagram



### Mini Converter SDI to Analog

Your Blackmagic Mini Converter SDI to Analog converts from SD/HD-SDI to analog component, NTSC and PAL video out, plus balanced AES/EBU and analog audio out. Your converter easily connects to analog video monitors and decks such as Betacam SP and VHS. A hardware down converter lets you connect HD-SDI video to SD analog equipment. You can even output pairs of analog audio from 16 de-embedded SDI audio channels.



## Connectors

- 1 Y or NTSC/PAL**  
Analog component Y, or composite NTSC/PAL output on a BNC connector.
- 2 B-Y or S-VIDEO Y**  
Analog component B-Y, or S-Video Y output BNC connector.
- 3 R-Y or S-VIDEO C**  
Analog component R-Y, or S-Video C output BNC connector.
- 4 L - ANALOG or AES/EBU**  
Balanced left channel analog audio, or AES/EBU digital audio output on a 1/4" jack connector.
- 5 R - ANALOG**  
Balanced right channel analog audio output 1/4" jack connector.
- 6 MINI-B USB PORT**  
Connects to the Converters Setup software via your Mac OS X or Windows computer. The Mini Converter's internal software is also updated using the USB port.
- 7 SDI OUT**  
SDI video output on a BNC connector.
- 8 ALT SDI IN**  
Redundant SDI input is provided as an optional back up.
- 9 SDI IN**  
Primary SDI input.
- 10 POWER +12V**  
12 volt power supply input.

## Switches

### Switch 8 - Analog Audio, AES/EBU Audio

Set switch 8 to OFF to select balanced analog audio, or to ON for digital AES/EBU audio output.

### Switch 7 - 7.5 IRE - 0.0 IRE

The USA and countries using NTSC with 7.5 setup should set switch 7 to OFF. If you're working in countries not using 7.5 setup, set switch 7 to ON. This setting only affects composite or S-Video outputs.

### Switch 6 - SMPTE Levels - Betacam Levels

Set switch 6 to OFF for SMPTE levels, or ON for Betacam levels. SMPTE levels are more common and even Betacam SP decks can use SMPTE levels, so only switch this to Betacam if you are sure that Betacam levels are being used.

### Switch 5 - Component, Composite or S-Video

Set switch 5 to OFF to select analog component video output, or ON for composite and S-Video outputs.

To display the HD video input on the S-Video and composite outputs, down conversion must be set to ON. Component analog video supports both HD and SD video.

### Switch 4 - SDI Audio De-Embed Bit 2

Switches 4, 3 and 2 are grouped together to provide 8 ON/OFF combinations. Having eight different combinations allows eight independent pairs of audio channels to be de-embedded from your SDI input.

### Switch 3 - SDI Audio De-Embed Bit 1

See switch 4 description.

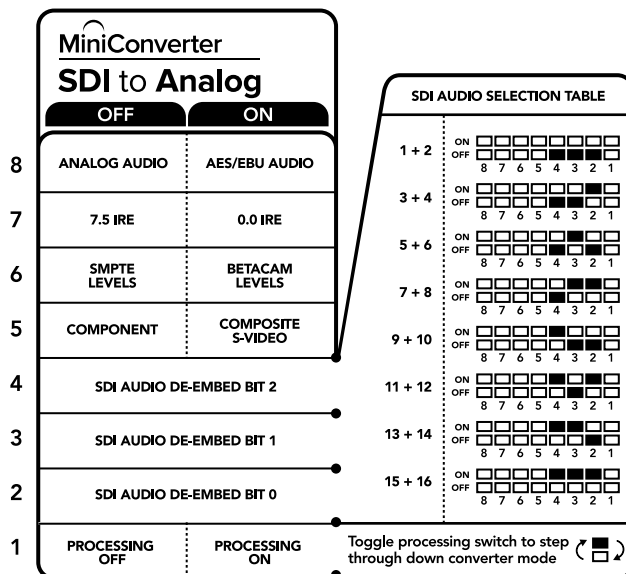
### Switch 2 - SDI Audio De-Embed Bit 0

See switch 4 description.

### Switch 1 - Processing Off - Processing On

Down convert HD to SD with 3 types of aspect ratios by cycling through switch 1. For example, each time you cycle between Off and On you apply anamorphic, center cut or letterbox aspect ratios. Leaving switch 1 set to OFF bypasses the down converter and outputs in HD.

When connected to Blackmagic Converters Setup via USB, your down conversion settings are controlled by the software. If you want the converter to remember your software settings, disconnect from the computer, power cycle your converter and set your down conversion using switch 1.











The switch legend on the base of your converter gives you all the information you need to change conversion settings.

### Mini Switch Settings Example

Experiment with the switches by setting your Blackmagic Mini Converter to output high definition component video and analog audio channels 1 and 2 by setting switches 8, 5, 4, 3 and 2 to the OFF position.

## SDI Audio Selection Table

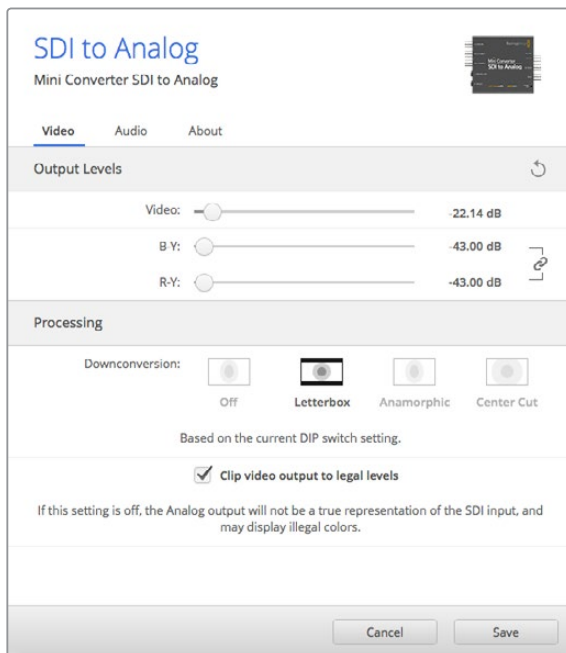
Audio Channels	Switch 4	Switch 3	Switch 2	Switch Diagram
1 and 2	OFF	OFF	OFF	
3 and 4	OFF	OFF	ON	
5 and 6	OFF	ON	OFF	
7 and 8	OFF	ON	ON	
9 and 10	ON	OFF	OFF	
11 and 12	ON	OFF	ON	
13 and 14	ON	ON	OFF	
15 and 16	ON	ON	ON	

## Blackmagic Converters Setup Settings

The Converters Setup utility can be used to change settings and update your Mini Converter's software. You can access these settings by moving between the 'video,' 'audio,' and 'about' tabs.

The 'about' tab is detailed in the 'changing settings' section in this manual.

The 'video' tab for Mini Converter SDI to Analog contains the following settings.



Use the 'video' tab in Converters Setup to adjust analog video levels and processing settings.



## Processing menu

This menu allows you to set the aspect ratio of down converted video. The options are letterbox, anamorphic, center cut or no processing.

The 'clip video output to legal levels' checkbox controls clipping of your SDI input to ensure that it stays within HDMI legal levels and should be kept on by default.

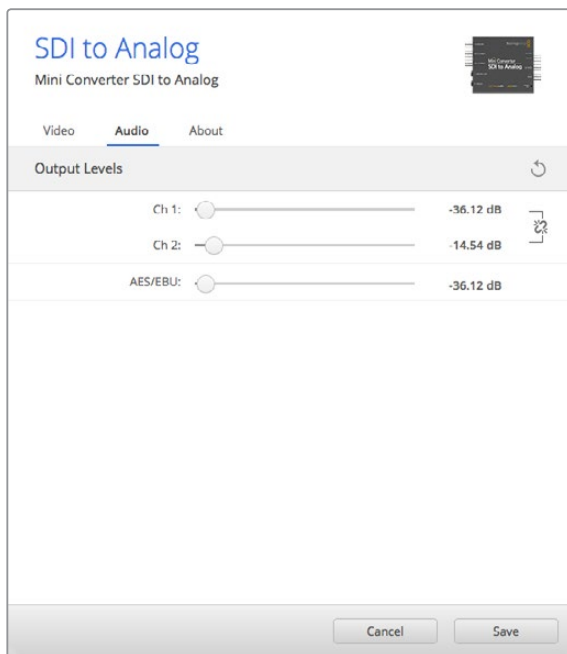
## Output Levels menu

This lets you set the luminance and chroma levels, and the B-Y and R-Y component levels independently.

The 'audio' tab for Mini Converter SDI to Analog contains the following settings.

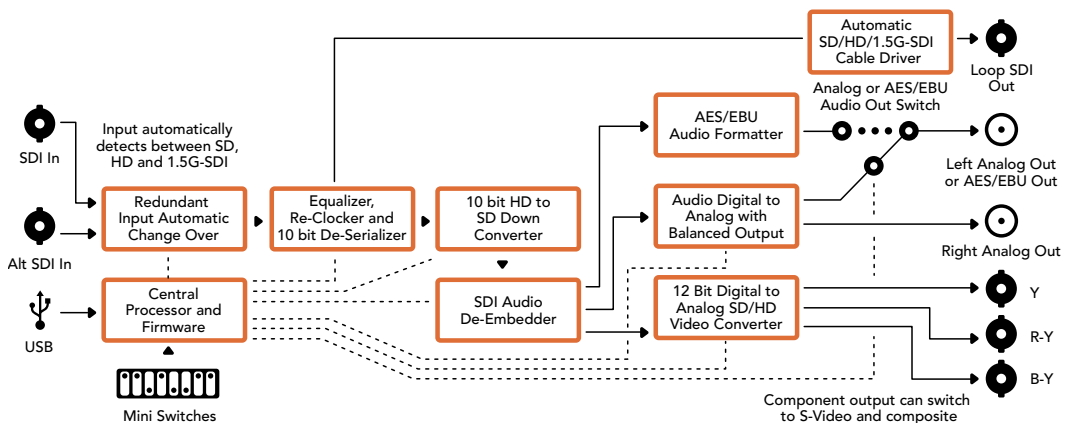
## Output Levels menu

This menu allows you to adjust the gain on the audio output. You can adjust audio levels independently per channel, or together by clicking the 'link' icon next to their sliders. To reset all audio levels back to 0 dB click the 'reset' button at the top of the 'output levels' menu.



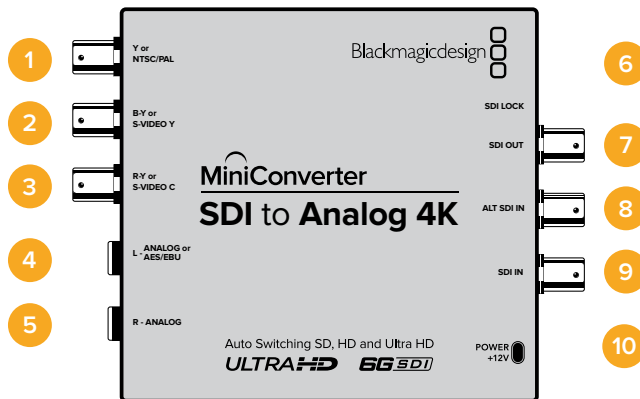
Use the 'audio' tab in Converters Setup to adjust analog audio levels.

## Mini Converter SDI to Analog Block Diagram



## Mini Converter SDI to Analog 4K

Your Mini Converter SDI to Analog 4K and the SDI to Analog 4K Heavy Duty model can convert from SD/HD/3G/6G-SDI to analog component, NTSC and PAL video out, plus balanced AES/EBU and analog audio out. This down converter lets you connect up to 6G-SDI video to SD or HD analog equipment and easily connects to video monitors and decks such as Betacam SP and VHS. You can even output pairs of analog audio from 16 de-embedded SDI audio channels.



## Connectors

- 1 Y or NTSC/PAL**  
Analog component Y or composite NTSC/PAL output BNC connector.
- 2 B-Y or S-VIDEO Y**  
Analog component B-Y, or S-Video Y output BNC connector.
- 3 R-Y or S-VIDEO C**  
Analog component R-Y, or S-Video C output BNC connector.
- 4 L - ANALOG or AES/EBU**  
Balanced left channel analog audio, or AES/EBU digital audio output 1/4" jack connector.
- 5 R - ANALOG**  
Balanced right channel analog audio output 1/4" jack connector.
- 6 MINI-B USB PORT**  
Connects to the Converters Setup software via your Mac OS X or Windows computer. The Mini Converter's internal software is also updated using the USB port.
- 7 SDI OUT**  
SDI video output BNC connector.
- 8 ALT SDI IN**  
Redundant SDI input is provided as an optional back up.
- 9 SDI IN**  
Primary SDI input.
- 10 POWER +12V**  
12 volt power supply input.

## Switches

**TIP** On the Mini Converter Heavy Duty model, the switches are protected by a rubber dust cover. Simply lift the edge of the cover to access the switches.

Mini Converter SDI to Analog 4K's switches provide the following settings:

### **Switch 8 - Analog Audio, AES/EBU Audio**

Set switch 8 to OFF to select balanced analog audio, or to ON for digital AES/EBU audio output.

### **Switch 7 - 7.5 IRE - 0.0 IRE**

The USA and countries using NTSC with 7.5 setup should set switch 7 to OFF. If you're working in countries not using 7.5 setup, set switch 7 to ON. This setting only affects composite or S-Video outputs.

### **Switch 6 - SMPTE Levels - Betacam Levels**

Set switch 6 to OFF for SMPTE levels, or ON for Betacam levels. SMPTE levels are more common and even Betacam SP decks can use SMPTE levels, so only switch this to Betacam if you are sure that Betacam levels are being used.

### **Switch 5 - Component, Composite or S-Video**

Set switch 5 to OFF to select analog component video output, or ON for composite and S-Video outputs.

To display the HD video input as SD on the S-Video and composite outputs, down conversion must be set to ON. Component analog video supports both HD and SD video.

### **Switch 4, 3 and 2 - SDI Audio De-Embed**

Switches 4, 3 and 2 are grouped together to provide 8 ON/OFF combinations. Having eight different combinations allows eight independent pairs of audio channels to be de-embedded from your SDI input.

### **Switch 1 - Processing Off - Processing On**

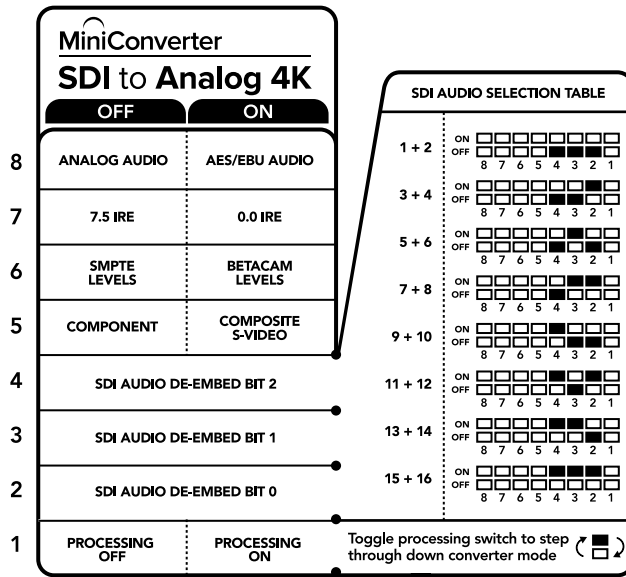
Down conversion with 3 types of aspect ratios by cycling through switch 1. Each time you cycle between Off and On you apply anamorphic, center cut or letterbox aspect ratios.

For both HD and Ultra HD input, set switch to OFF to output HD analog via the component outputs.

Set switch to ON and Ultra HD input downconverts to either analog PAL/NTSC or HD component depending on the other switch settings. 4K DCI will be cropped on the component HD output.

An ON setting with HD input will be downconverted to analog PAL/NTSC or component depending on the other switch settings.

When connected to Blackmagic Converters Setup via USB, your down conversion settings are controlled by the software. If you want the converter to remember your software settings, disconnect from the computer, power cycle your converter and set your down conversion using switch 1.



The switch legend on the base of your converter gives you all the information you need to change conversion settings.

### Mini Switch Settings Example:

Experiment with the switches by setting your Blackmagic Mini Converter to output high definition component video and analog audio channels 1 and 2 by setting switches 8, 5, 4, 3 and 2 to the OFF position.

### Audio Selection Table

Audio Channels	Switch 4	Switch 3	Switch 2	Switch Diagram
1 and 2	OFF	OFF	OFF	ON OFF 8 7 6 5 4 3 2 1
3 and 4	OFF	OFF	ON	ON OFF 8 7 6 5 4 3 2 1
5 and 6	OFF	ON	OFF	ON OFF 8 7 6 5 4 3 2 1
7 and 8	OFF	ON	ON	ON OFF 8 7 6 5 4 3 2 1
9 and 10	ON	OFF	OFF	ON OFF 8 7 6 5 4 3 2 1
11 and 12	ON	OFF	ON	ON OFF 8 7 6 5 4 3 2 1
13 and 14	ON	ON	OFF	ON OFF 8 7 6 5 4 3 2 1
15 and 16	ON	ON	ON	ON OFF 8 7 6 5 4 3 2 1

## Blackmagic Converters Setup Settings

The Converters Setup utility can be used to change settings and update your Mini Converter's software. You can access these settings by moving between the 'video,' 'audio,' and 'about' tabs.

The 'about' tab is detailed in the 'changing settings' section in this manual.

The 'video' tab for Mini Converter SDI to Analog 4K contains the following settings.

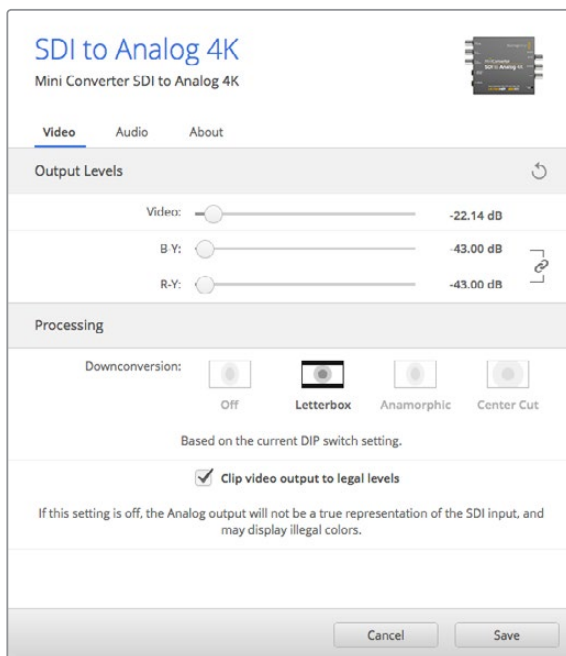
### Output Levels menu

This lets you set the luminance and chroma levels, and the B-Y and R-Y component levels independently.

### Processing menu

This menu allows you to set the aspect ratio of down converted video. The options are letterbox, anamorphic, center cut or no processing.

The 'clip video output to legal levels' checkbox controls clipping of your SDI input to ensure that it stays within HDMI egal levels and should be kept on by default.

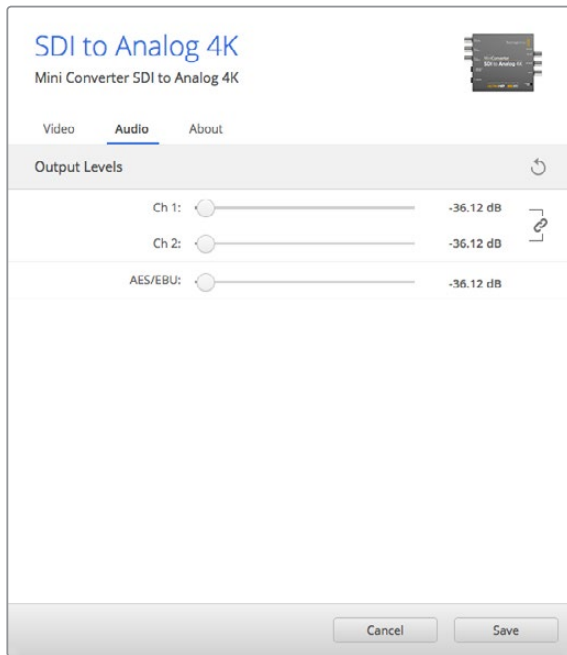


Use the 'video' tab in Converters Setup to adjust analog video levels and processing settings.

The 'audio' tab for Mini Converter SDI to Analog 4K contains the following settings.

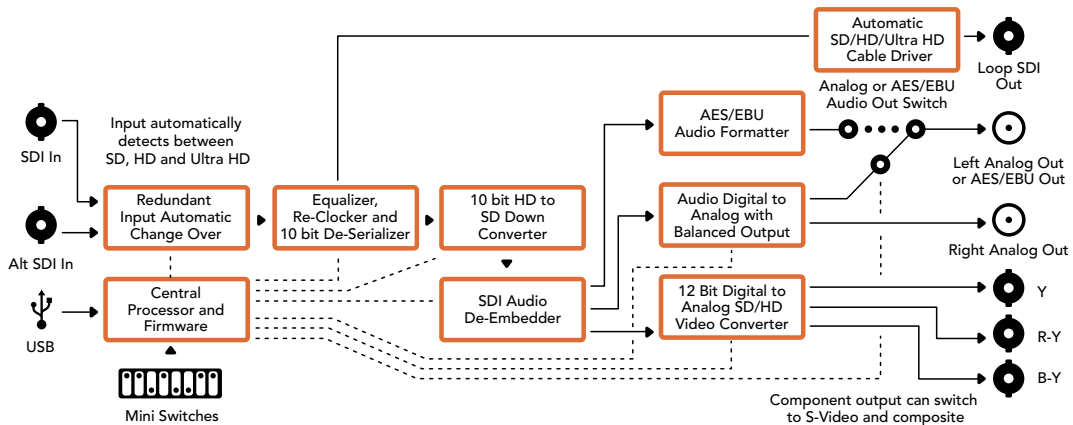
### Output Levels menu

This menu allows you to adjust the gain on the audio input. You can adjust audio levels independently per channel, or together by clicking the 'link' icon next to their sliders. To reset all audio levels back to 0 dB click the 'reset' button at the top of the 'output levels' menu.



Use the 'audio' tab in Converters Setup to adjust analog audio levels.

### Mini Converter SDI to Analog 4K Block Diagram



### Mini Converter Analog to SDI

With your Mini Converter Analog to SDI and the Analog to SDI Heavy Duty model you can convert video and audio from analog equipment such as Betacam SP decks, HDV cameras and game consoles to SD/HD-SDI video. A choice of analog and digital formats is supported, including component SD/HD, S-Video, or composite NTSC and PAL. The converter's HD-SDI outputs include the option to embed digital AES/EBU or analog audio.



## Connectors

- 1 Y or NTSC/PAL**  
Analog component Y, or composite NTSC/PAL input BNC connector.
- 2 B-Y or S-VIDEO Y**  
Analog component B-Y, or S-Video Y input BNC connector.
- 3 R-Y or S-VIDEO C**  
Analog component R-Y, or S-Video C input BNC connector.
- 4 L - ANALOG or AES/EBU**  
Balanced left channel analog audio, or AES/EBU digital audio input 1/4" jack connector.
- 5 R - ANALOG**  
Balanced right channel analog audio input 1/4" jack connector.
- 6 MINI-B USB PORT**  
Connects to the Converters Setup software via your Mac OS X or Windows computer. The Mini Converter's internal software is also updated using the USB port.
- 7 SDI OUT**  
SDI video output BNC connector.
- 8 SDI OUT**  
Second SDI output.
- 9 POWER +12V**  
12 volt power supply input.

## Switches

**TIP** On the Mini Converter Heavy Duty model, the switches are protected by a rubber dust cover. Simply lift the edge of the cover to access the switches.

Mini Converter Analog to SDI's switches provide the following settings:

### **Switch 8 - Analog Audio, AES/EBU Audio**

Set switch 8 to OFF to select balanced analog audio, or to ON for digital AES/EBU audio input.

### Switch 7 - 7.5 IRE - 0.0 IRE

The USA and countries using NTSC with 7.5 setup should set switch 7 to OFF. If you're working in countries not using 7.5 setup, for example Japan, set switch 7 to ON. This setting only affects composite or S-Video outputs.

### Switch 6 - SMPTE Levels - Betacam Levels

This setting selects between SMPTE or Betacam video levels. Set switch 6 to OFF for SMPTE levels, or to ON for Betacam levels. SMPTE levels are more common and even Betacam SP decks can use SMPTE levels so only switch this to Betacam if you are sure that Betacam levels are being used.

### Switch 5 - Component, Composite or S-Video

Set switch 5 to OFF to select analog component video input, or to ON for composite video and S-Video analog inputs.

	OFF	ON
8	ANALOG AUDIO	AES/EBU AUDIO
7	7.5 IRE	0.0 IRE
6	SMPTE LEVELS	BETACAM LEVELS
5	COMPONENT	COMPOSITE or S-VIDEO
4	COMPOSITE	S-VIDEO
3		
2		
1	PROCESSING OFF	PROCESSING ON

The switch legend on the base of your converter gives you all the information you need to change conversion settings.

### Switch 4 - Composite - S-Video

Set switch 4 to OFF to select composite video input, or to ON for S-Video input.

### Switch 1 - Processing Off - Processing On

This switch is not used.

### Mini Switch Settings Example

Experiment with the switches by setting your Blackmagic Mini Converter to Component and Analog Audio input by setting switches 8 and 5 to the OFF position.

## Blackmagic Converters Setup Settings

The Converters Setup utility can be used to change settings and update your Mini Converter's software. You can access these settings by moving between the 'video,' 'audio,' and 'about' tabs.

The 'about' tab is detailed in the 'changing settings' section in this manual.

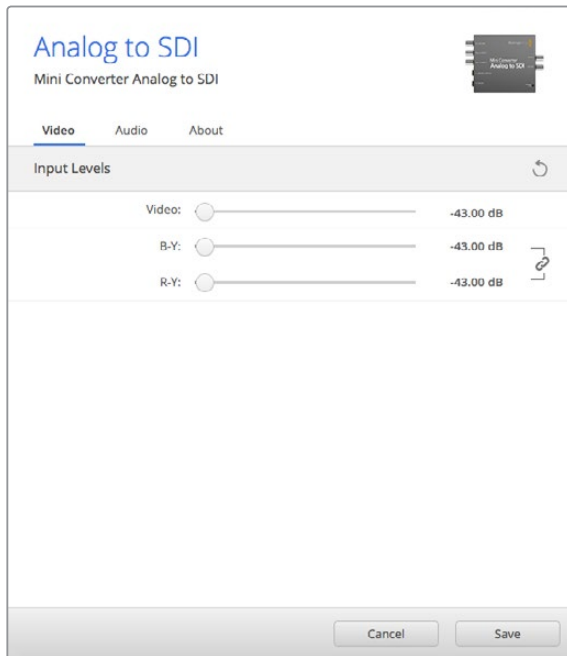


The 'video' tab for Mini Converter Analog to SDI contains the following settings.

### Input Levels menu

This lets you set the luminance and chroma levels, and the B-Y and R-Y component levels independently.

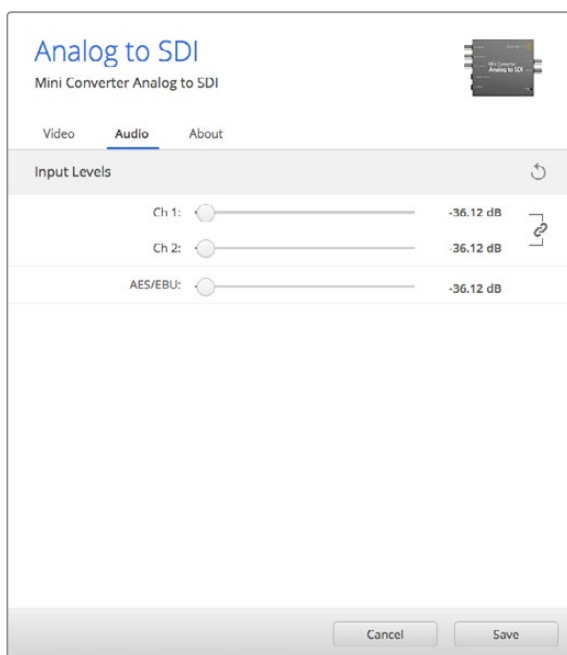
The 'audio' tab for Mini Converter Analog to SDI contains the following settings.



Use the 'video' tab in Converters Setup to adjust video levels.

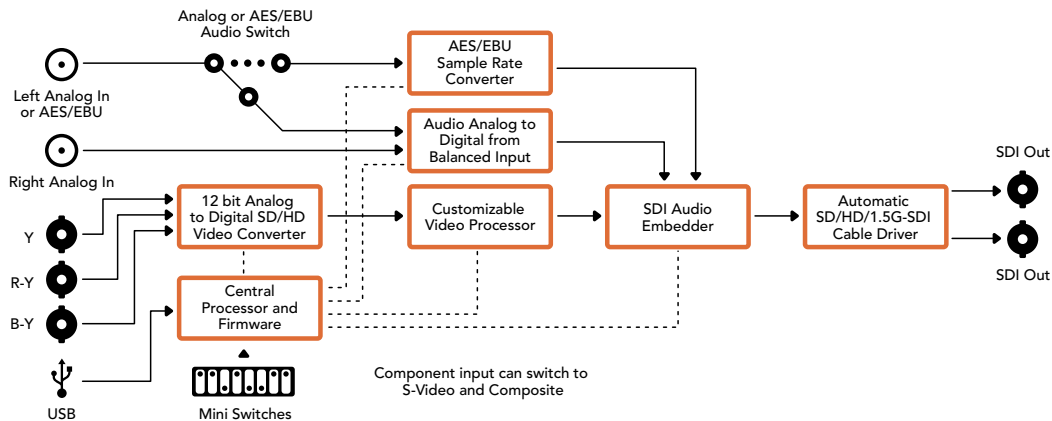
### Input Levels menu

This menu allows you to adjust the gain on the audio input. You can adjust audio levels independently per channel, or together by clicking the 'link' icon next to their sliders. To reset all audio levels back to 0 dB click the 'reset' button at the top of the 'input levels' menu.



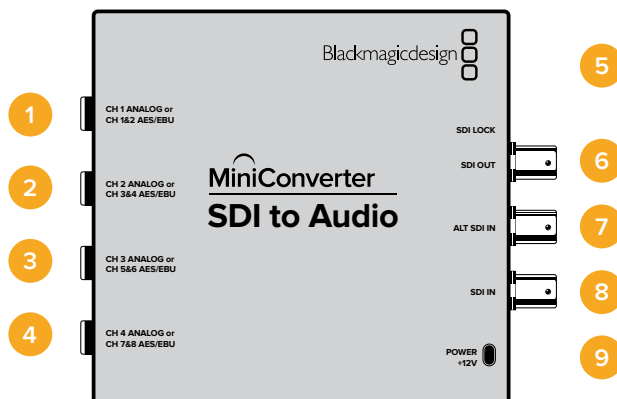
Use the 'audio' tab in Converters Setup to adjust analog audio levels.

## Mini Converter Analog to SDI Block Diagram



## Mini Converter SDI to Audio

Your Mini Converter SDI to Audio can de-embed 4 channels of audio from any SDI video connection and output to 4 channels of analog audio or 8 channels of AES/EBU digital. Output to audio equipment such as audio mixers, analog decks and reference monitors. Additional SDI audio channels can be de-embedded by daisy chaining another Mini Converter SDI to Audio to your converter's SDI output.



## Connectors

- 1 CH 1 ANALOG or CH 1 & 2 AES/EBU**  
 Balanced analog audio channel 1, or AES/EBU digital audio channels 1 and 2 output 1/4" jack connector.
- 2 CH 2 Analog or CH 3 & 4 AES/EBU**  
 Balanced analog audio channel 2, or AES/EBU digital audio channels 3 and 4 output 1/4" jack connector.
- 3 CH 3 Analog or CH 5 & 6 AES/EBU**  
 Balanced analog audio channel 3, or AES/EBU digital audio channels 5 and 6 output 1/4" jack connector.
- 4 CH 4 Analog or CH 7 & 8 AES/EBU**  
 Balanced analog audio channel 4, or AES/EBU digital audio channels 7 and 8 output 1/4" jack connector.

## 5 MINI-B USB PORT

Connects to the Converters Setup software via your Mac OS X or Windows computer. The Mini Converter's internal software is also updated using the USB port.

## 6 SDI OUT

Loop through SDI video output BNC connector.

## 7 ALT SDI IN

Redundant SDI input provided as an optional back up. When using both the SDI IN and ALT SDI IN, the ALT SDI IN will take over should the SDI IN signal fail. The SDI LOCK LED will flash indicating that the converter has switched to the ALT SDI IN.

## 8 SDI IN

Primary SDI input.

## 9 POWER +12V

12 volt power supply input.

## Switches

Mini Converter SDI to Audio's switches provide the following settings:

### Switch 8 - Analog Audio, AES/EBU Audio

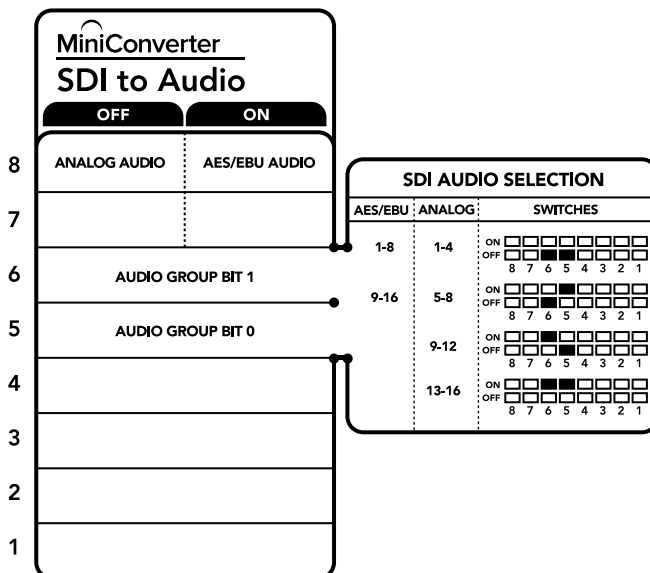
Set switch 8 to OFF to select balanced analog audio, or to ON for digital AES/EBU audio output.

### Switch 6 - Audio Group Bit 1

Switches 6 and 5 are grouped together to provide four ON/OFF combinations. This allows up to 4 quadruplets of analog audio channels, or 2 sets of 8 AES/EBU audio channels, to be de-embedded from your SDI input.

### Switch 5 - Audio Group Bit 0

See switch 6 description.



The switch legend on the base of your converter gives you all the information you need to change conversion settings.

## Mini Switch Settings Example

Try experimenting with the switches. Select analog audio channels 1 to 4 by setting switches 8, 6 and 5 to the OFF position.

## Audio Selection Tables

Analog Audio Channels	Switch 6	Switch 5	Switch Diagram
1 to 4	OFF	OFF	
5 to 8	OFF	ON	
9 to 12	ON	OFF	
13 to 16	ON	ON	

AES/EBU Channels	Switch 6	Switch 5	Switch Diagram
1 to 8	OFF	OFF	
9 to 16	OFF	ON	

## Blackmagic Converters Setup Settings

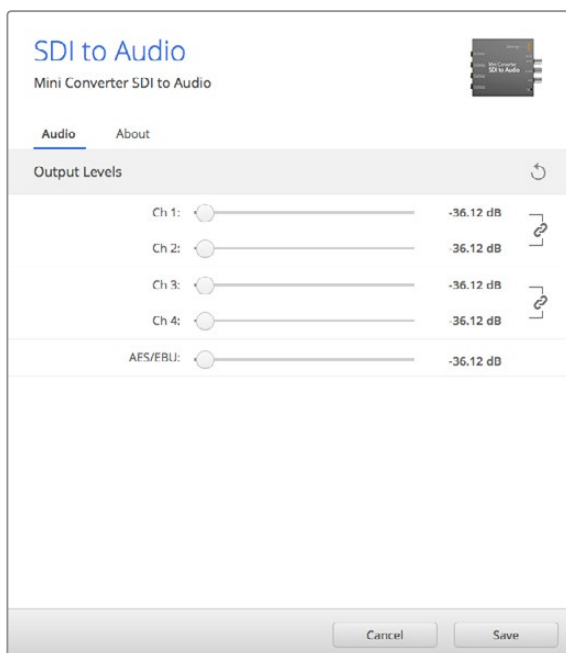
The Converters Setup utility can be used to change settings and update your Mini Converter's software. You can access these settings by moving between the 'audio,' and 'about' tabs.

The 'about' tab is detailed in the 'changing settings' section in this manual.

The 'audio' tab for Mini Converter SDI to Audio contains the following settings.

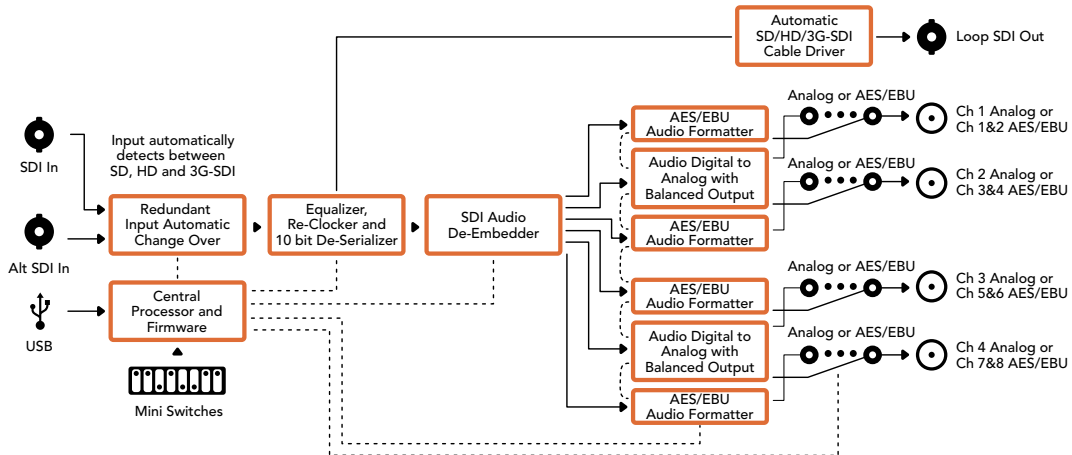
### Output Levels menu

This menu allows you to adjust the gain on the audio output. You can adjust audio levels independently per channel, or together as channel pairs by clicking the 'link' icon next to their sliders. To reset all audio levels back to 0 dB click the 'reset' button at the top of the 'output levels' menu.



Use the 'audio' tab in Converters Setup to adjust audio levels.

## Mini Converter SDI to Audio Block Diagram



## Mini Converter SDI to Audio 4K

With Mini Converter SDI to Audio 4K you can de-embed 4 channels of audio from any SDI video connection and output to 4 channels of analog audio or 8 channels of AES/EBU digital. Output to audio equipment such as audio mixers, analog decks and reference monitors. Additional SDI audio channels can be de-embedded by daisy chaining another Mini Converter SDI to Audio 4K to your converter's SDI output.



## Connectors

- 1 CH 1 ANALOG or CH 1 & 2 AES/EBU**  
 Balanced analog audio channel 1, or AES/EBU digital audio channels 1 and 2 output 1/4" jack connector.
- 2 CH 2 Analog or CH 3 & 4 AES/EBU**  
 Balanced analog audio channel 2, or AES/EBU digital audio channels 3 and 4 output 1/4" jack connector.
- 3 CH 3 Analog or CH 5 & 6 AES/EBU**  
 Balanced analog audio channel 3, or AES/EBU digital audio channels 5 and 6 output 1/4" jack connector.
- 4 CH 4 Analog or CH 7 & 8 AES/EBU**  
 Balanced analog audio channel 4, or AES/EBU digital audio channels 7 and 8 output 1/4" jack connector.

## 5 MINI-B USB PORT

Connects to the Converters Setup software via your Mac OS X or Windows computer. The Mini Converter's internal software is also updated using the USB port.

## 6 SDI OUT

Loop through SDI video output BNC connector.

## 7 ALT SDI IN

Redundant SDI input provided as an optional back up. When using both the SDI IN and ALT SDI IN, the ALT SDI IN will take over should the SDI IN signal fail. The SDI LOCK LED will flash indicating that the converter has switched to the ALT SDI IN.

## 8 SDI IN

Primary SDI input.

## 9 POWER +12V

12 volt power supply input.

## Switches

Mini Converter SDI to Audio 4K switches provide the following settings:

### Switch 8 - Analog Audio, AES/EBU Audio

Set switch 8 to OFF to select balanced analog audio, or to ON for digital AES/EBU audio output.

### Switch 6 - Audio Group Bit 1

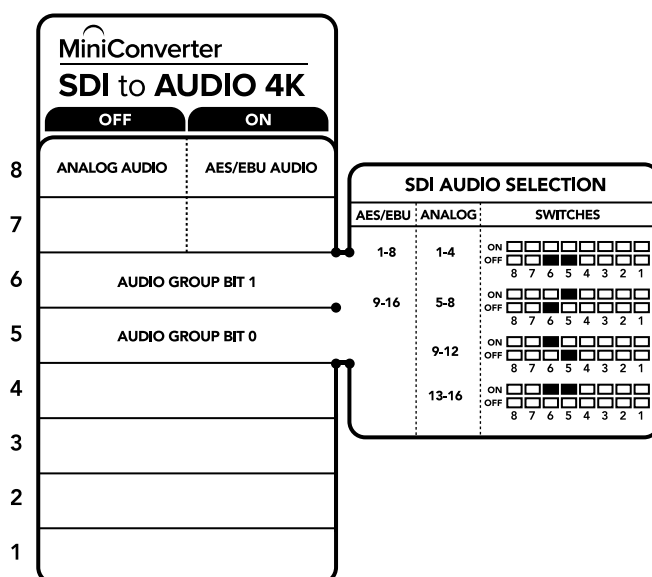
Switches 6 and 5 are grouped together to provide four ON/OFF combinations. This allows up to 4 quadruplets of analog audio channels, or 2 sets of 8 AES/EBU audio channels, to be de-embedded from your SDI input.

### Switch 5 - Audio Group Bit 0

See switch 6 description.

## Mini Switch Settings Example

Try experimenting with the switches. Select analog audio channels 1 to 4 by setting switches 8, 6 and 5 to the OFF position.



The switch legend on the base of your converter gives you all the information you need to change conversion settings.

## Audio Selection Tables

Analog Audio Channels	Switch 6	Switch 5	Switch Diagram
1 to 4	OFF	OFF	<pre> ON  [ ] [ ] [ ] [ ] [ ] [ ] [ ] [ ] OFF [ ] [ ] [ ] [ ] [ ] [ ] [ ] [ ]       8 7 6 5 4 3 2 1           </pre>
5 to 8	OFF	ON	<pre> ON  [ ] [ ] [ ] [ ] [ ] [ ] [ ] [ ] OFF [ ] [ ] [ ] [ ] [ ] [ ] [ ] [ ]       8 7 6 5 4 3 2 1           </pre>
9 to 12	ON	OFF	<pre> ON  [ ] [ ] [ ] [ ] [ ] [ ] [ ] [ ] OFF [ ] [ ] [ ] [ ] [ ] [ ] [ ] [ ]       8 7 6 5 4 3 2 1           </pre>
13 to 16	ON	ON	<pre> ON  [ ] [ ] [ ] [ ] [ ] [ ] [ ] [ ] OFF [ ] [ ] [ ] [ ] [ ] [ ] [ ] [ ]       8 7 6 5 4 3 2 1           </pre>

AES/EBU Channels	Switch 6	Switch 5	Switch Diagram
1 to 8	OFF	OFF	<pre> ON  [ ] [ ] [ ] [ ] [ ] [ ] [ ] [ ] OFF [ ] [ ] [ ] [ ] [ ] [ ] [ ] [ ]       8 7 6 5 4 3 2 1           </pre>
9 to 16	OFF	ON	<pre> ON  [ ] [ ] [ ] [ ] [ ] [ ] [ ] [ ] OFF [ ] [ ] [ ] [ ] [ ] [ ] [ ] [ ]       8 7 6 5 4 3 2 1           </pre>

## Blackmagic Converters Setup Settings

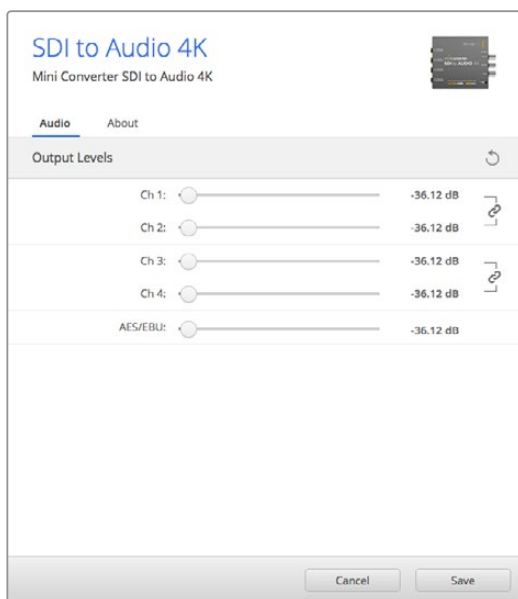
The Converters Setup utility can be used to change settings and update your Mini Converter's software. You can access these settings by moving between the 'audio,' and 'about' tabs.

The 'about' tab is detailed in the 'changing settings' section in this manual.

The 'audio' tab for Mini Converter SDI to Audio 4K contains the following settings.

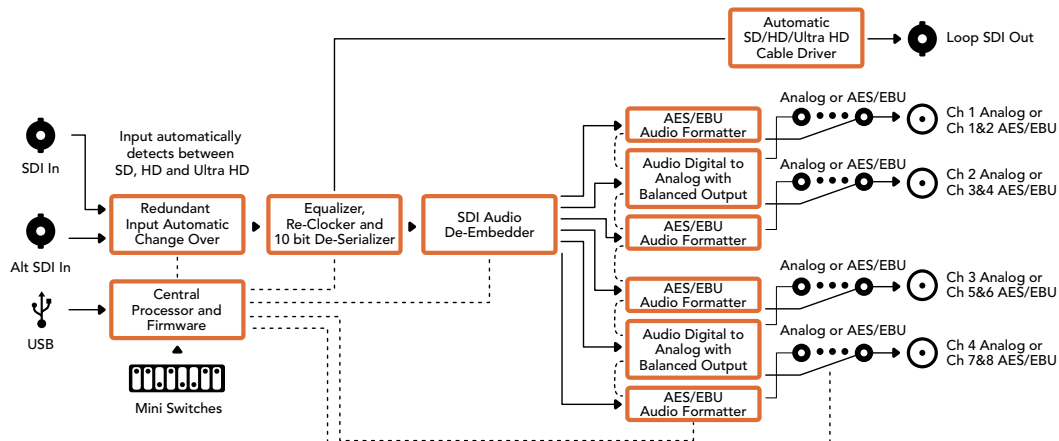
### Output Levels menu

This menu allows you to adjust the gain on the audio output. You can adjust audio levels independently per channel, or together as channel pairs by clicking the 'link' icon next to their sliders. To reset all audio levels back to 0 dB click the 'reset' button at the top of the 'output levels' menu.



Use the 'audio' tab in Converters Setup to adjust analog audio levels.

## Mini Converter SDI to Audio 4K Block Diagram



## Mini Converter Audio to SDI

Your Mini Converter Audio to SDI can embed four channels of analog audio, or eight channels of AES/EBU digital audio into any SDI video connection. You can use this Mini Converter to embed audio from equipment, such as audio mixers and analog decks, into SDI video connections for use with SDI routers and decks. Additional SDI audio channels can be embedded by daisy chaining another Mini Converter Audio to SDI to your converter's SDI output.



## Connectors

- 1 CH 1 Analog or CH 1 & 2 AES/EBU**  
Balanced analog audio channel 1, or AES/EBU digital audio channels 1 and 2 input 1/4" jack connector.
- 2 CH 2 Analog or CH 3 & 4 AES/EBU**  
Balanced analog audio channel 2, or AES/EBU digital audio channels 3 and 4 input 1/4" jack connector.
- 3 CH 3 Analog or CH 5 & 6 AES/EBU**  
Balanced analog audio channel 3, or AES/EBU digital audio channels 5 and 6 input 1/4" jack connector.
- 4 CH 4 Analog or CH 7 & 8 AES/EBU**  
Balanced analog audio channel 4, or AES/EBU digital audio channels 7 and 8 input 1/4" jack connector.
- 5 Mini-B USB PORT**  
Connects to the Converters Setup software via your Mac OS X or Windows computer. The Mini Converter's internal software is also updated using the USB port.



**6 SDI OUT**

Loop through SDI video output BNC connector.

**7 ALT SDI IN**

Redundant SDI input provided as an optional back up. When using both the SDI IN and ALT SDI IN, the ALT SDI IN will take over should the SDI IN signal fail. The SDI LOCK LED will flash indicating that the converter has switched to the ALT SDI IN.

**8 SDI IN**

Primary SDI input.

**9 POWER +12V**

12 volt power supply input.

## Switches

Mini Converter Audio to SDI's switches provide the following settings:

**Switch 8 - Analog Audio, AES/EBU Audio**

Set switch 8 to OFF to select balanced analog audio, or to ON for digital AES/EBU audio input.

**Switch 7 - Sample Rate Conversion, No Sample Rate Conversion**

Set switch 7 to OFF to enable sample rate conversion, or ON to disable sample rate conversion. This switch should almost always be set to OFF to ensure audio is embedded at the correct sample rate for television.

When switch 7 is set to OFF this setting converts the sample rate of your analog or AES/EBU audio and embeds audio into the SDI output at a sample rate of 48 kHz. When switch 7 is set to ON, sample rate conversion is disabled and audio is output at the original sample rate of your input audio.

**Switch 6 - Audio Group Bit 1**

Switches 6 and 5 are grouped together to provide four ON/OFF combinations. Having four different combinations allows up to four analog audio channels, or eight AES/EBU audio channels to be embedded in your SDI output.

**Switch 5 - Audio Group Bit 0**

See switch 6 description.

### Audio Selection Table

Analog Audio Channels	Switch 6	Switch 5	Switch Diagram
1 to 4	OFF	OFF	ON <input type="checkbox"/> <input type="checkbox"/> <input type="checkbox"/> <input type="checkbox"/> <input type="checkbox"/> <input type="checkbox"/> <input type="checkbox"/> <input type="checkbox"/> OFF <input type="checkbox"/> <input type="checkbox"/> <input type="checkbox"/> <input type="checkbox"/> <input type="checkbox"/> <input type="checkbox"/> <input type="checkbox"/> <input type="checkbox"/> 8 7 6 5 4 3 2 1
5 to 8	OFF	ON	ON <input type="checkbox"/> <input type="checkbox"/> <input type="checkbox"/> <input checked="" type="checkbox"/> <input type="checkbox"/> <input type="checkbox"/> <input type="checkbox"/> <input type="checkbox"/> OFF <input type="checkbox"/> <input type="checkbox"/> <input type="checkbox"/> <input type="checkbox"/> <input type="checkbox"/> <input type="checkbox"/> <input type="checkbox"/> <input type="checkbox"/> 8 7 6 5 4 3 2 1
9 to 12	ON	OFF	ON <input type="checkbox"/> <input type="checkbox"/> <input checked="" type="checkbox"/> <input type="checkbox"/> <input type="checkbox"/> <input type="checkbox"/> <input type="checkbox"/> <input type="checkbox"/> OFF <input type="checkbox"/> <input type="checkbox"/> <input type="checkbox"/> <input type="checkbox"/> <input type="checkbox"/> <input type="checkbox"/> <input type="checkbox"/> <input type="checkbox"/> 8 7 6 5 4 3 2 1
13 to 16	ON	ON	ON <input type="checkbox"/> <input type="checkbox"/> <input checked="" type="checkbox"/> <input checked="" type="checkbox"/> <input type="checkbox"/> <input type="checkbox"/> <input type="checkbox"/> <input type="checkbox"/> OFF <input type="checkbox"/> <input type="checkbox"/> <input type="checkbox"/> <input type="checkbox"/> <input type="checkbox"/> <input type="checkbox"/> <input type="checkbox"/> <input type="checkbox"/> 8 7 6 5 4 3 2 1
AES/EBU Channels	Switch 6	Switch 5	Switch Diagram
1 to 8	OFF	OFF	ON <input type="checkbox"/> <input type="checkbox"/> <input type="checkbox"/> <input type="checkbox"/> <input type="checkbox"/> <input type="checkbox"/> <input type="checkbox"/> <input type="checkbox"/> OFF <input type="checkbox"/> <input type="checkbox"/> <input type="checkbox"/> <input type="checkbox"/> <input type="checkbox"/> <input type="checkbox"/> <input type="checkbox"/> <input type="checkbox"/> 8 7 6 5 4 3 2 1
9 to 16	OFF	ON	ON <input type="checkbox"/> <input type="checkbox"/> <input checked="" type="checkbox"/> <input type="checkbox"/> <input type="checkbox"/> <input type="checkbox"/> <input type="checkbox"/> <input type="checkbox"/> OFF <input type="checkbox"/> <input type="checkbox"/> <input type="checkbox"/> <input type="checkbox"/> <input type="checkbox"/> <input type="checkbox"/> <input type="checkbox"/> <input type="checkbox"/> 8 7 6 5 4 3 2 1

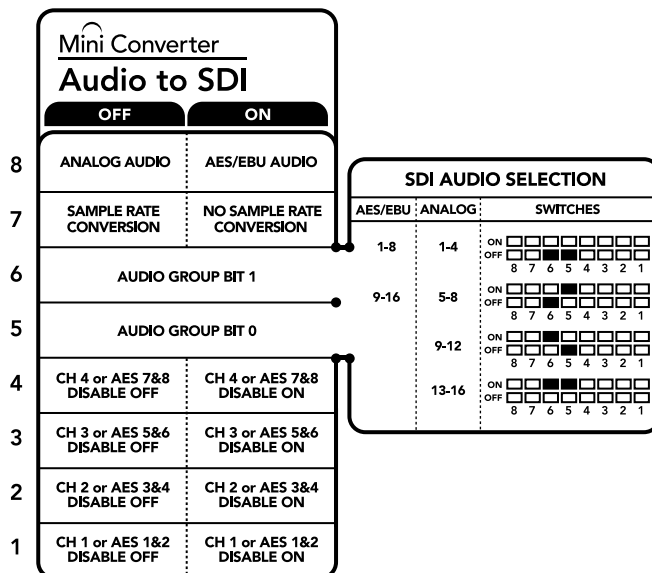
## Embedding or Disabling Channels

Once you have selected your audio channels, use switches 4, 3, 2 and 1 to select which channels to embed or disable. The disable setting lets you avoid overwriting audio channels you wish to keep in the SDI signal.

For example, you can disable analog audio channel 1 or AES/EBU channels 1 and 2 by setting switch 1 to the ON position. Alternatively, you can embed the audio channels by setting switch 1 to the OFF position.

### Audio Channel De-Embed or Disable Settings

Switch	Setting	Audio Channels
4	ON	Disable analog CH 4, AES/EBU CH 7 and 8
	OFF	Embed analog CH 4, AES/EBU CH 7 and 8
3	ON	Disable analog CH 3, AES/EBU CH 5 and 6
	OFF	Embed analog CH 3, AES/EBU CH 5 and 6
2	ON	Disable analog CH 2, AES/EBU CH 3 and 4
	OFF	Embed analog CH 2, AES/EBU CH 3 and 4
1	ON	Disable analog CH 1, AES/EBU CH 1 and 2
	OFF	Embed analog CH 1, AES/EBU CH 1 and 2



The switch legend on the base of your converter gives you all the information you need to change conversion settings.

### Mini Switch Settings Example:

Try experimenting with the switches. Select analog audio channels 1 to 4 by setting switches 8, 6 and 5 to the OFF position.

## Blackmagic Converters Setup Settings

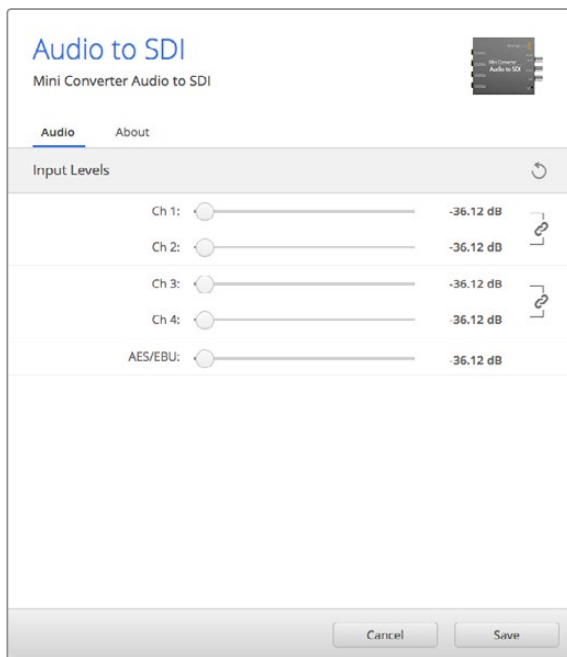
The Converters Setup utility can be used to change settings and update your Mini Converter's software. You can access these settings by moving between the 'audio,' and 'about' tabs.

The 'about' tab is detailed in the 'changing settings' section in this manual.

The 'audio' tab for Mini Converter Audio to SDI contains the following settings.

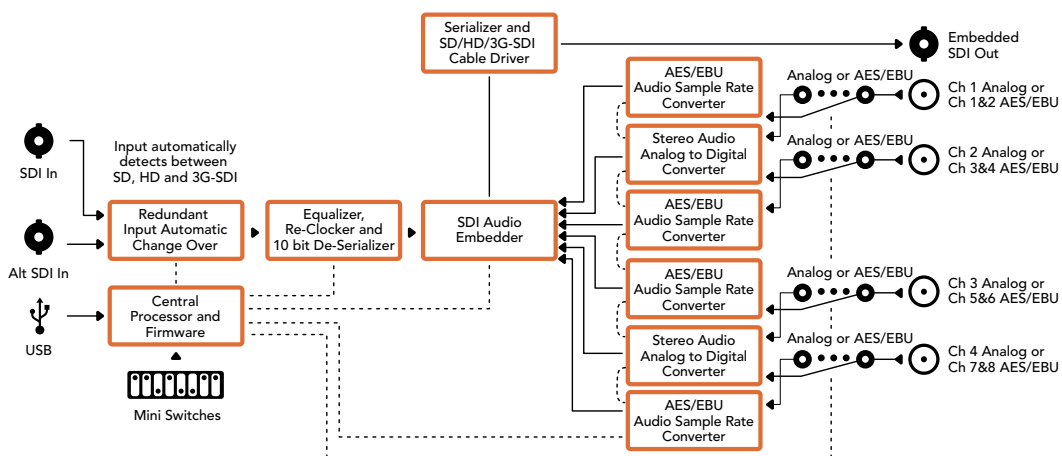
### Input Levels menu

This menu allows you to adjust the gain on the audio input. You can adjust audio levels independently per channel, or together as channel pairs by clicking the 'link' icon next to their sliders. To reset all audio levels back to 0 dB click the 'reset' button at the top of the 'output levels' menu.



Use the 'audio' tab in Converters Setup to adjust analog audio levels.

### Mini Converter Audio to SDI Block Diagram



## Mini Converter Audio to SDI 4K

Your Mini Converter Audio to SDI 4K can embed four channels of analog audio, or eight channels of AES/EBU digital audio into any SDI video connection. You can use this Mini Converter to embed audio from equipment, such as audio mixers and analog decks, into SDI video connections for use with SDI routers and decks. Additional SDI audio channels can be embedded by daisy chaining another Mini Converter Audio to SDI 4K to your converter's SDI output.



## Connectors

- 1 CH 1 Analog or CH 1 & 2 AES/EBU**  
Balanced analog audio channel 1, or AES/EBU digital audio channels 1 and 2 input 1/4" jack connector.
- 2 CH 2 Analog or CH 3 & 4 AES/EBU**  
Balanced analog audio channel 2, or AES/EBU digital audio channels 3 and 4 input 1/4" jack connector.
- 3 CH 3 Analog or CH 5 & 6 AES/EBU**  
Balanced analog audio channel 3, or AES/EBU digital audio channels 5 and 6 input 1/4" jack connector.
- 4 CH 4 Analog or CH 7 & 8 AES/EBU**  
Balanced analog audio channel 4, or AES/EBU digital audio channels 7 and 8 input 1/4" jack connector.
- 5 Mini-B USB PORT**  
Connects to the Converters Setup software via your Mac OS X or Windows computer. The Mini Converter's internal software is also updated using the USB port.
- 6 SDI OUT**  
Loop through SDI video output on a BNC connector.
- 7 ALT SDI IN**  
Redundant SDI input provided as an optional back up. When using both the SDI IN and ALT SDI IN, the ALT SDI IN will take over should the SDI IN signal fail. The SDI LOCK LED will flash indicating that the converter has switched to the ALT SDI IN.
- 8 SDI IN**  
Primary SDI input.
- 9 POWER +12V**  
12 volt power supply input.

## Switches

Mini Converter Audio to SDI 4K switches provide the following settings:

### Switch 8 - Analog Audio, AES/EBU Audio

Set switch 8 to OFF to select balanced analog audio, or to ON for digital AES/EBU audio input.

### Switch 7 - Sample Rate Conversion, No Sample Rate Conversion

Set switch 7 to OFF to enable sample rate conversion, or ON to disable sample rate conversion. This switch should almost always be set to OFF to ensure audio is embedded at the correct sample rate for television.

When switch 7 is set to OFF this setting converts the sample rate of your analog or AES/EBU audio and embeds audio into the SDI output at a sample rate of 48 kHz. When switch 7 is set to ON, sample rate conversion is disabled and audio is output at the original sample rate of your input audio.

### Switch 6 - Audio Group Bit 1

Switches 6 and 5 are grouped together to provide four ON/OFF combinations. Having four different combinations allows up to four analog audio channels, or eight AES/EBU audio channels to be embedded in your SDI output.

### Switch 5 - Audio Group Bit 0

See switch 6 description.

### Audio Selection Table

Analog Audio Channels	Switch 6	Switch 5	Switch Diagram
1 to 4	OFF	OFF	ON OFF
5 to 8	OFF	ON	ON OFF
9 to 12	ON	OFF	ON OFF
13 to 16	ON	ON	ON OFF
AES/EBU Channels	Switch 6	Switch 5	Switch Diagram
1 to 8	OFF	OFF	ON OFF
9 to 16	OFF	ON	ON OFF

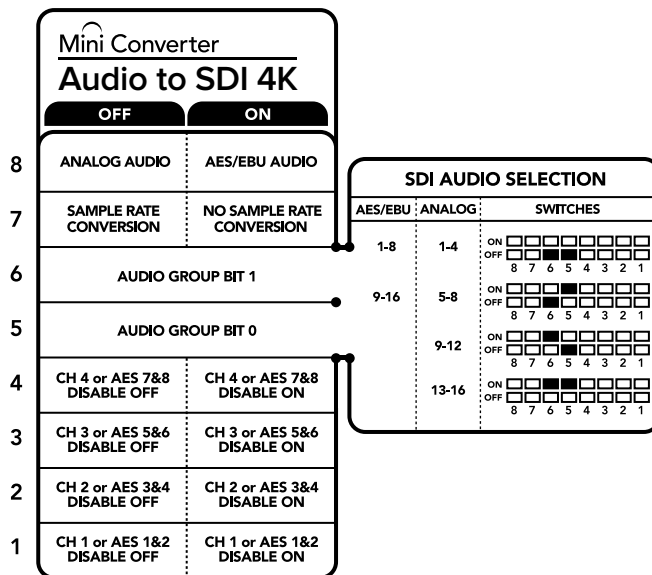
## Embedding or Disabling Channels

Once you have selected your audio channels, use switches 4, 3, 2 and 1 to select which channels to embed or disable. The disable setting lets you avoid overwriting audio channels you wish to keep in the SDI signal.

For example, you can disable analog audio channel 1 or AES/EBU channels 1 and 2 by setting switch 1 to the ON position. Alternatively, you can embed the audio channels by setting switch 1 to the OFF position.

## Audio Channel De-Embed or Disable Settings

Switch	Setting	Audio Channels
4	ON	Disable analog CH 4, AES/EBU CH 7 and 8
	OFF	Embed analog CH 4, AES/EBU CH 7 and 8
3	ON	Disable analog CH 3, AES/EBU CH 5 and 6
	OFF	Embed analog CH 3, AES/EBU CH 5 and 6
2	ON	Disable analog CH 2, AES/EBU CH 3 and 4
	OFF	Embed analog CH 2, AES/EBU CH 3 and 4
1	ON	Disable analog CH 1, AES/EBU CH 1 and 2
	OFF	Embed analog CH 1, AES/EBU CH 1 and 2



The switch legend on the base of your converter gives you all the information you need to change conversion settings.

## Mini Switch Settings Example

Try experimenting with the switches. Select analog audio channels 1 to 4 by setting switches 8, 6 and 5 to the OFF position.

## Blackmagic Converters Setup Settings

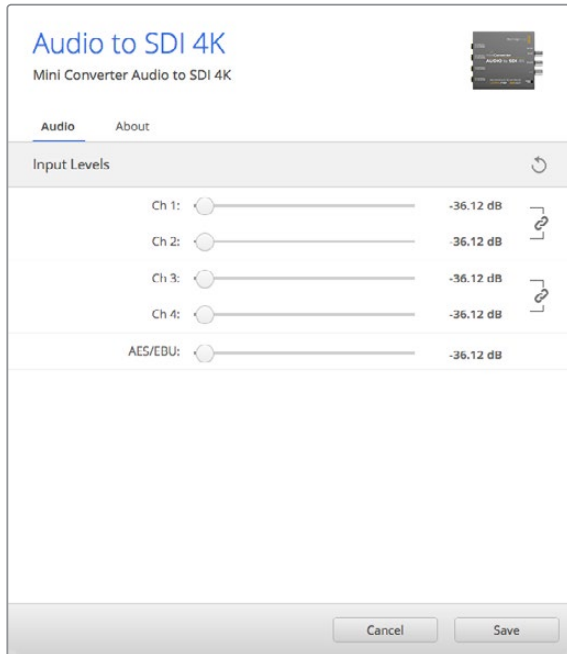
The Converters Setup utility can be used to change settings and update your Mini Converter's software. You can access these settings by moving between the 'audio,' and 'about' tabs.

The 'about' tab is detailed in the 'changing settings' section in this manual.

The 'audio' tab for Mini Converter Audio to SDI 4K contains the following settings.

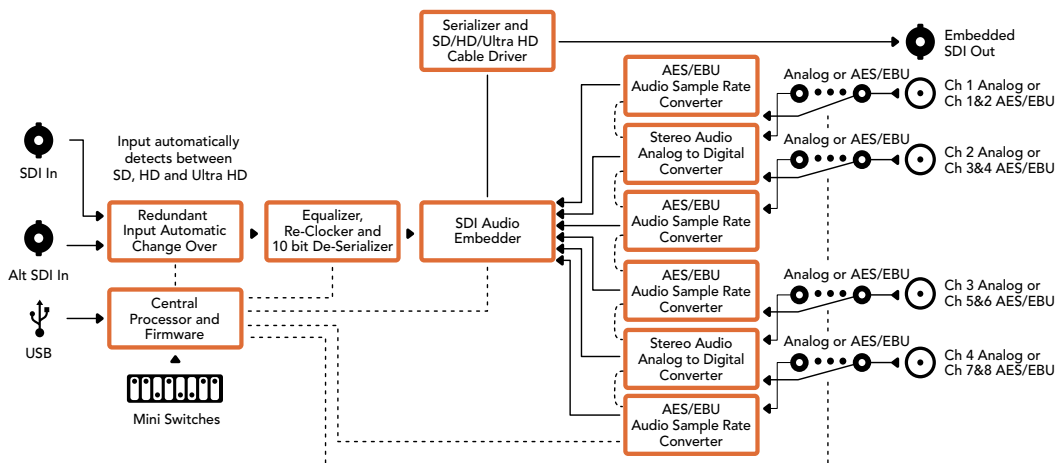
## Input Levels menu

This menu allows you to adjust the gain on the audio input. You can adjust audio levels independently per channel, or together as channel pairs by clicking the 'link' icon next to their sliders. To reset all audio levels back to 0 dB click the 'reset' button at the top of the 'output levels' menu.



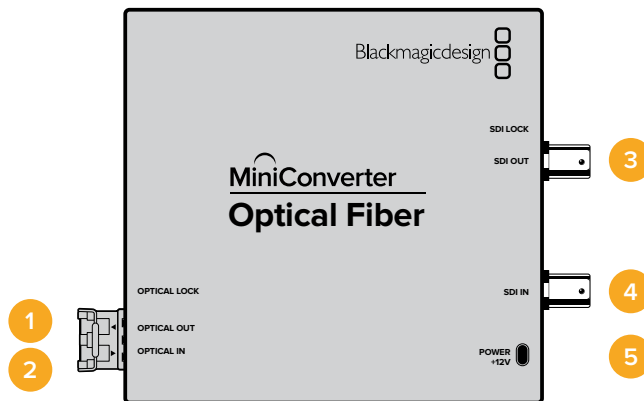
Use the 'audio' tab in Converters Setup to adjust analog audio levels.

## Mini Converter Audio to SDI 4K Block Diagram



## Mini Converter Optical Fiber

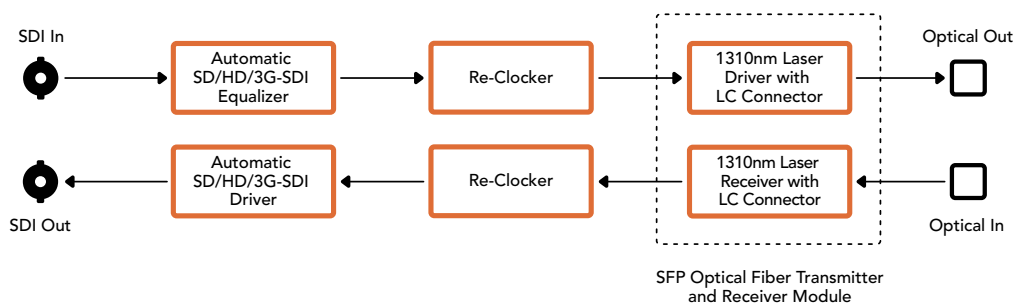
With Mini Converter Optical Fiber you can convert SDI to Optical Fiber and Optical Fiber to SDI simultaneously. Mini Converter Optical Fiber automatically switches between SD/HD/3G-SDI video standards and both directions are completely independent. Use this converter if you need to send and receive SDI signals over longer distances than traditional SDI cables will support. SD video can be sent up to 45 km or 147000 feet using optical fiber, compared to just 300 feet with copper SDI cables. 3G-SDI can be sent up to 25 km away!



## Connectors

- 1 Optical Out**  
Optical fiber output supports a single mode optical fiber cable with LC connector.
- 2 Optical In**  
Optical fiber input supports a single mode optical fiber cable with LC connector.
- 3 3G-SDI Out**  
SDI video output on a BNC connector for connection to traditional SDI equipment.
- 4 3G-SDI In**  
SDI input on a BNC connector for connection to traditional SDI equipment.
- 5 Power +12V**  
12 volt power supply input.

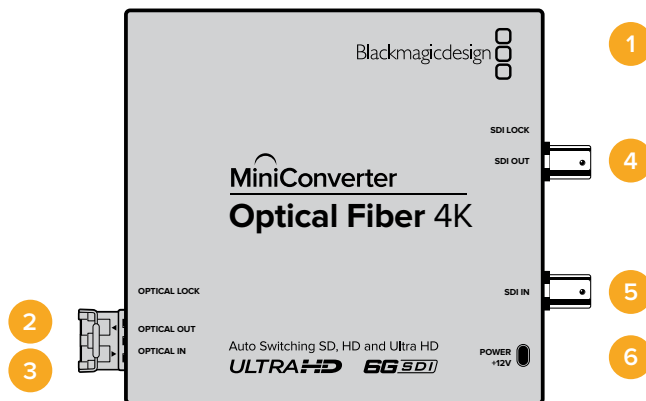
## Mini Converter Optical Fiber Block Diagram





## Mini Converter Optical Fiber 4K

Convert SD/HD and single link 6G-SDI to Optical Fiber and Optical Fiber to SD/HD and single link 6G-SDI simultaneously. Mini Converter Optical Fiber 4K automatically switches between SD/HD/3G/6G-SDI video standards and both directions are completely independent. Use this converter if you need to send and receive SDI signals over longer distances than traditional SDI cables will support. SD video can be sent up to 45 km or 147000 feet using optical fiber, compared to just 300 feet with copper SDI cables. 6G-SDI can be sent up to 12 km away!



## Connectors

### 1 Mini-B USB Port

The Mini Converter's internal software is updated using the USB port.

### 2 Optical Out

Optical fiber output supports a single mode optical fiber cable with LC connector.

### 3 Optical In

Optical fiber input supports a single mode optical fiber cable with LC connector.

### 4 SDI Out

SDI video output on a BNC connector for connection to traditional SDI equipment.

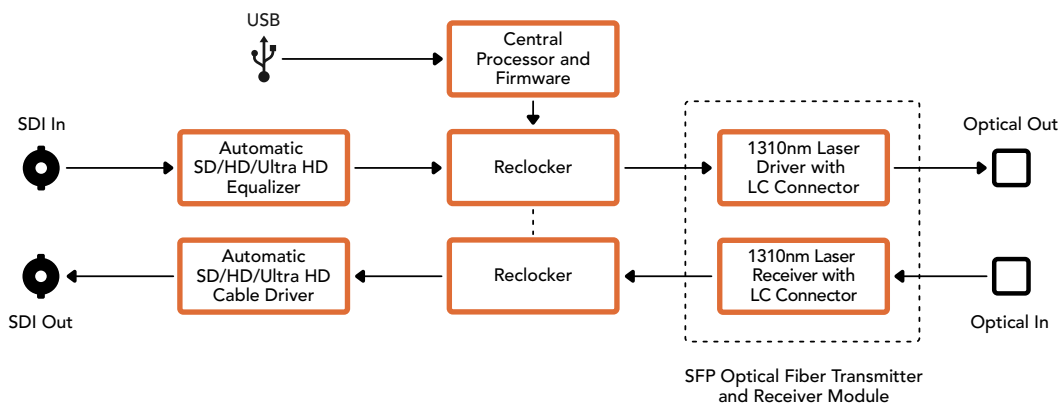
### 5 SDI In

SDI input on a BNC connector for connection to traditional SDI equipment.

### 6 Power +12V

12 volt power supply input.

## Mini Converter Optical Fiber 4K Block Diagram



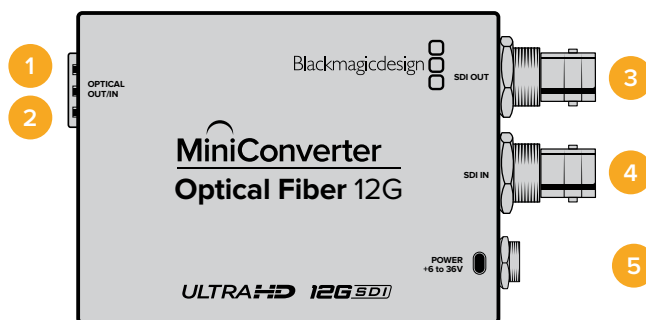
## Mini Converter Optical Fiber 12G

This converter converts SD and HD video up to 12G-SDI to optical fiber and the other way around simultaneously.

The socket for the SFP type optical fiber module can be fitted with a compatible SFP optical fiber module that supports up to 3G, 6G or 12G-SDI video.

Your converter automatically detects the video input format and sets the output format to match. Both directions are completely independent.

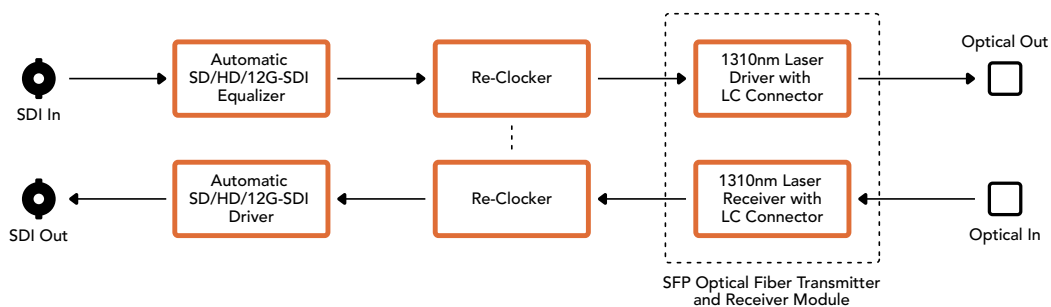
This converter is helpful if you need to send and receive SDI signals over longer distances than traditional SDI cables will support. For example, SD video can be sent up to 45 km or 147,000 feet using optical fiber, compared to just 300 feet with copper SDI cables. 12G-SDI can be sent up to 6 km away!



## Connectors

- 1 Optical Out**  
Optical fiber output supports a single mode optical fiber cable with LC connector.
- 2 Optical In**  
Optical fiber input supports a single mode optical fiber cable with LC connector.
- 3 SDI Out**  
SDI video output on a BNC connector for connection to SDI equipment.
- 4 SDI In**  
SDI input on a BNC connector for connection to SDI equipment.
- 5 Power +6 to 36V**  
6-36 volt power supply input. The support screw can be secured to the unit's power connector to prevent accidental disconnection.

## Mini Converter Optical Fiber 12G Block Diagram

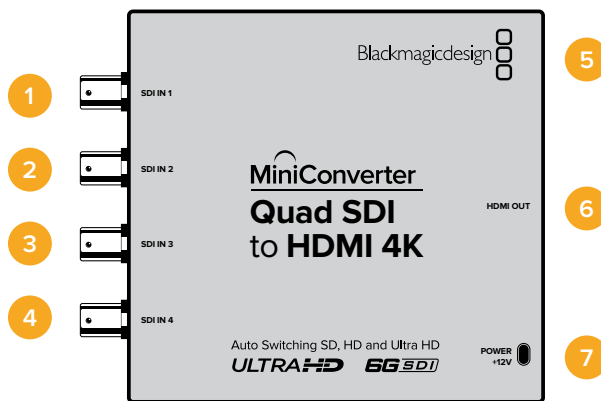


## Mini Converter Quad SDI to HDMI 4K

Your Mini Converter Quad SDI to HDMI 4K can connect single link, dual link and quad link SDI Ultra HD to the latest Ultra HD projectors and televisions that support Ultra HD over a single HDMI link. You can also convert any of the following inputs to HDMI:

- SD SDI
- HD-SDI
- Singlelink 3G-SDI
- Singlelink 6G-SDI
- Duallink HD-SDI
- Dual link 3G-SDI Ultra HD
- Quad link HD-SDI Ultra HD

If the HDMI output detects an HD monitor or HDTV, the output signal is automatically downconverted. Only use inputs 1 and 2 with a valid dual link signal.



## Connectors

Supported formats are listed under each SDI input:

- 1 SDI In 1**
  - SD/HD-SDI
  - Single link 3G-SDI
  - Single link 6G-SDI
  - Dual link HD-SDI channel A
  - Dual link 3G-SDI Ultra HD channel A
  - Quad link HD-SDI Ultra HD channel A
- 2 SDI In 2**
  - Dual link HD-SDI channel B
  - Dual link 3G-SDI Ultra HD channel B
  - Quad link HD-SDI Ultra HD channel B
- 3 SDI In 3**
  - Quad link HD-SDI Ultra HD channel C
- 4 SDI In 4**
  - Quad link HD-SDI Ultra HD channel D

### 5 Mini-B USB port

Connects to the Converters Setup software via your Mac OS X or Windows computer. The Mini Converter's internal software is also updated using the USB port.

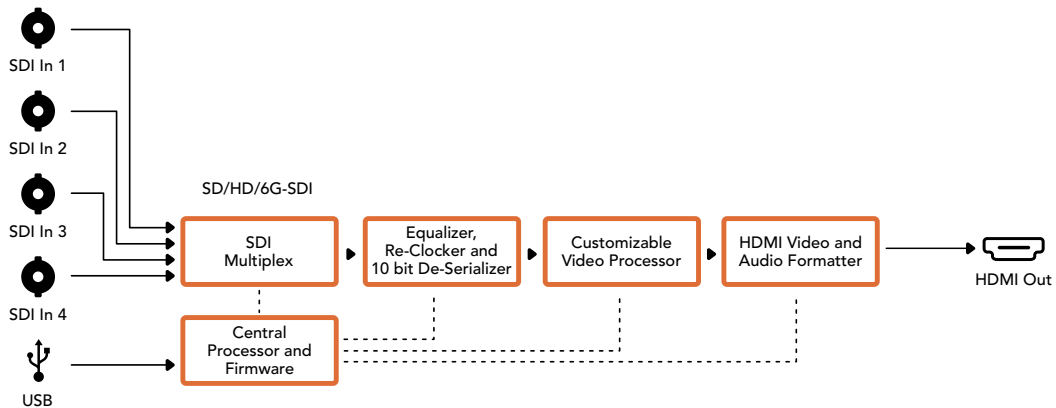
### 6 HDMI

HDMI type A video output.

### 7 Power +12V

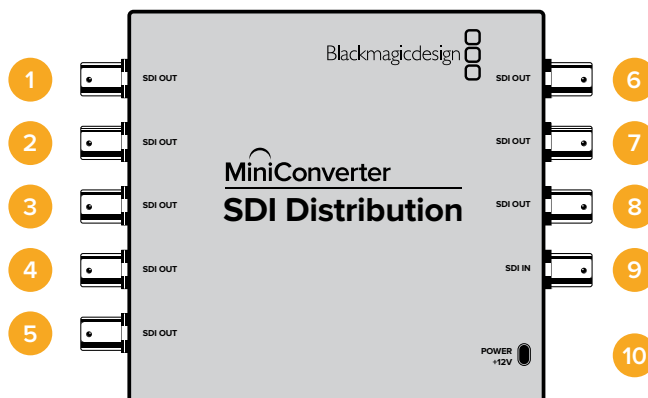
12 volt power supply input.

## Mini Converter Quad SDI to HDMI 4K Block Diagram



## Mini Converter SDI Distribution

With Mini Converter SDI Distribution you can output your SDI signal to eight SDI devices simultaneously, such as decks, monitor walls and switchers. Whenever the video input changes between SD-SDI, HD-SDI and 3G-SDI video formats, Mini Converter SDI Distribution automatically switches the 8 re-clocked outputs to match with support for ASI, ancillary data and embedded audio formats.



## Connectors

### 1-8 SDI Out

SDI video outputs on BNC connectors.

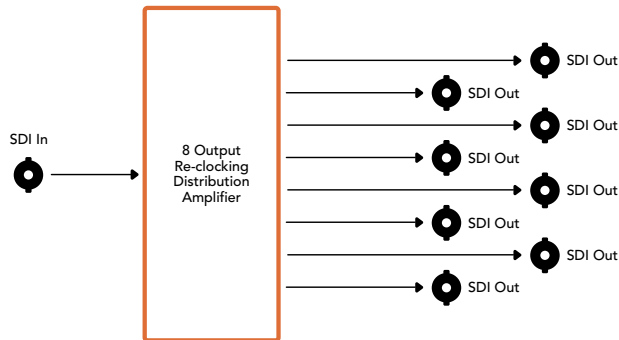
### 9 SDI In

SDI input.

### 10 Power +12V

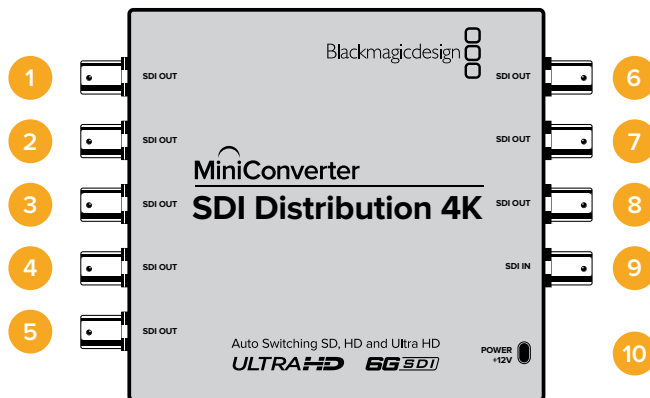
12 volt power supply input.

## Mini Converter SDI Distribution Block Diagram



## Mini Converter SDI Distribution 4K

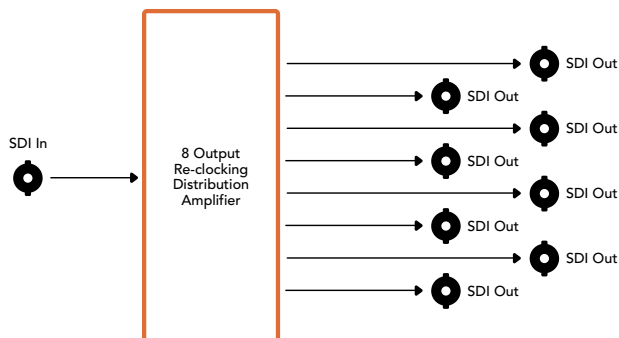
Your Mini Converter SDI Distribution 4K outputs your SDI signal to eight SDI devices simultaneously, such as decks, monitor walls and switchers. Whenever the video input changes between SD/HD/3G/6G-SDI video formats, Mini Converter SDI Distribution 4K automatically switches the 8 re-clocked outputs to match, with support for ASI, ancillary data and embedded audio formats.



## Connectors

- 1-8 SDI Out**  
SDI video outputs on BNC connectors.
- 9 SDI In**  
SDI input.
- 10 Power +12V**  
12 volt power supply input.

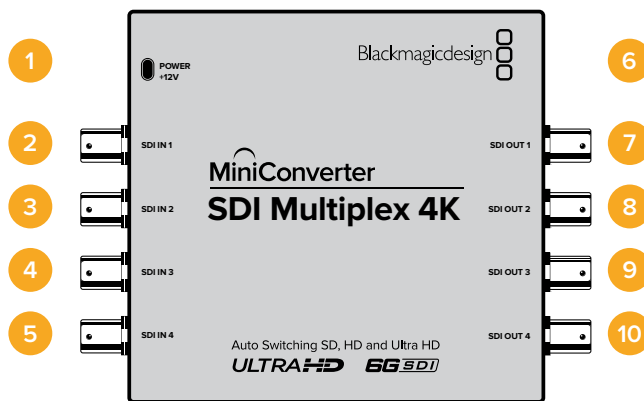
## Mini Converter SDI Distribution 4K Block Diagram



## Mini Converter SDI Multiplex 4K

Your Mini Converter SDI Multiplex 4K can perform the following conversions:

- Distribute an SD/HD and 6G-SDI signal to all four outputs.
- Distribute a dual link HD-SDI signal to all four 3G-SDI outputs.
- Single link 3G-SDI to dual link HD-SDI. The dual link output is distributed on both pairs of outputs.
- Single link 6G-SDI to dual link 3G-SDI or Quad link 1.5G-SDI.
- Quad link HD-SDI Ultra HD to single link 6G-SDI, or dual link 3G-SDI Ultra HD so you can connect existing Ultra HD sources to dual link Ultra HD displays. The dual link output is distributed on both pairs of outputs.
- Dual link 3G-SDI to single link 6G-SDI.
- Dual link 3G-SDI Ultra HD to quad link HD-SDI Ultra HD so you can connect the latest dual link Ultra HD sources to existing quad link Ultra HD displays.



## Connectors

- 1 Power +12V**
  - 12 volt power supply input
  - Supported formats for each SDI input
- 2 SDI In 1**
  - SD/HD-SDI
  - Single link 3G-SDI
  - Single link 6G-SDI
  - Dual link HD-SDI channel A
  - Dual link 3G-SDI Ultra HD channel A
  - Quad link HD-SDI Ultra HD channel A
- 3 SDI In 2**
  - Dual link HD-SDI channel B
  - Dual link 3G-SDI Ultra HD channel B
  - Quad link HD-SDI Ultra HD channel B
- 4 SDI In 3**
  - Quad link HD-SDI Ultra HD channel C
- 5 SDI In 4**
  - Quad link HD-SDI Ultra HD channel D

## 6 Mini-B USB port

Connects to the Converters Setup software via your Mac OS X or Windows computer. The Mini Converter's internal software can also be updated using the USB port.

Supported formats are listed under each SDI output:

## 7 SDI Out 1

- SD/HD-SDI
- Single link 3G-SDI
- Single link 6G-SDI
- Dual link HD-SDI channel A
- Dual link 3G-SDI Ultra HD channel A
- Quad link HD-SDI Ultra HD channel A

## 8 SDI Out 2

- SD/HD-SDI
- Single link 3G-SDI
- Single link 6G-SDI
- Dual link HD-SDI channel B
- Dual link 3G-SDI Ultra HD channel B
- Quad link HD-SDI Ultra HD channel B

## 9 SDI Out 3

- SD/HD-SDI
- Single link 3G-SDI
- Single link 6G-SDI
- Dual link HD-SDI channel A
- Dual link 3G-SDI Ultra HD channel A
- Quad link HD-SDI Ultra HD channel C

## 10 SDI Out 4

- SD/HD-SDI
- Single link 3G-SDI
- Single link 6G-SDI
- Dual link HD-SDI channel B
- Dual link 3G-SDI Ultra HD channel B
- Quad link HD-SDI Ultra HD channel D

## Switches

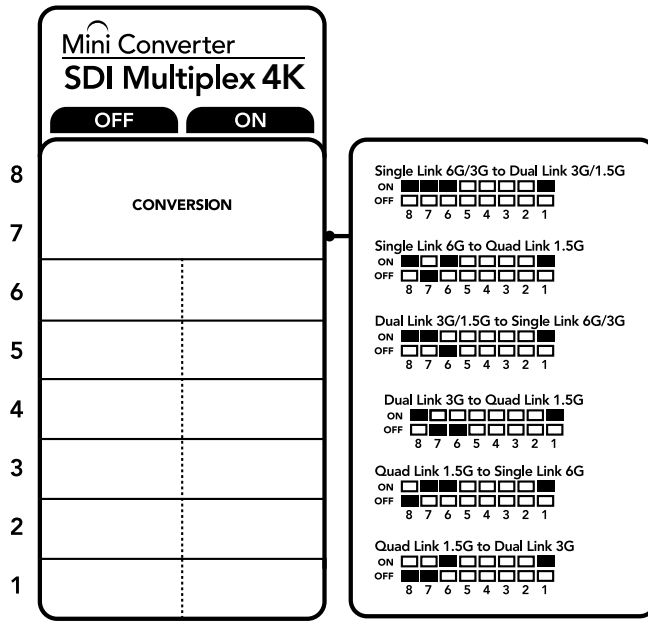
Mini Converter SDI Multiplex 4K's switches provide the following settings:

### Switches 8, 7 and 6 - Format Conversion

Combinations of switches 8, 7 and 6 set conversions such as dual link HD-SDI to single link HD-SDI, or quad link Ultra HD to single link Ultra HD.

### Switch 1 - Processing ON/OFF

When switch 1 is set to OFF, Mini Converter SDI Multiplex 4K acts as a 4 output SD/HD/6G-SDI distribution amplifier.



The switch legend on the base of your converter gives you all the information you need to change conversion settings.

### Mini Switch Settings Example

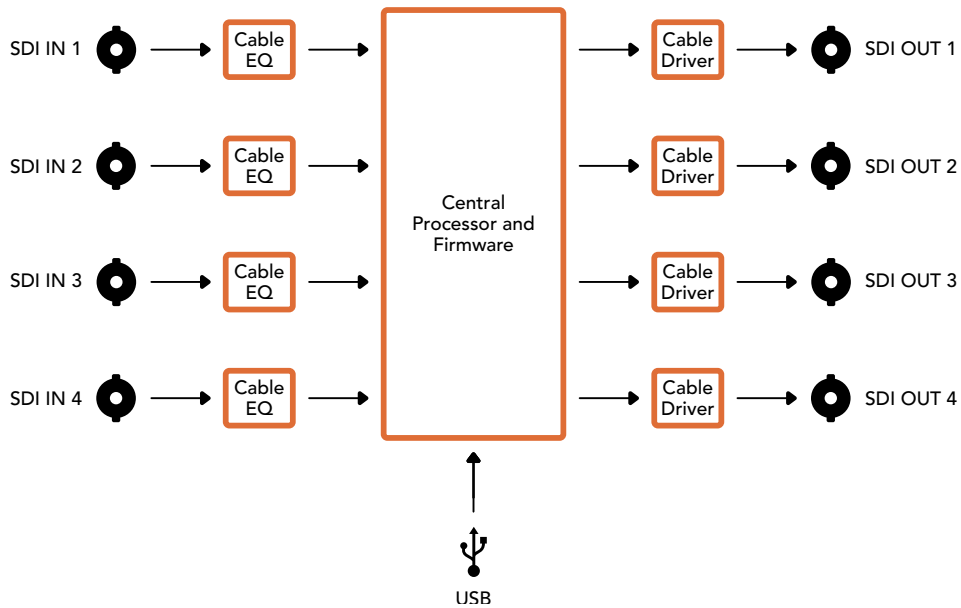
Convert quad link Ultra HD to dual link Ultra HD by setting switch 8 to ON, and switch 7 to OFF.

### SDI Connection Table

Conversion	Switch 8	Switch 7	Switch 6	Switch 1	Switch Diagram
Single Link 6G/3G-SDI to Dual Link 3G/1.5G-SDI	ON	ON	ON	ON	ON: [8][7][6][5][4][3][2][1] (all ON) OFF: [8][7][6][5][4][3][2][1] (all OFF)
Single Link 6G-SDI to Quad Link 1.5G-SDI	ON	OFF	ON	ON	ON: [8][7][6][5][4][3][2][1] (8,6,4,2 ON; 7,5,3,1 OFF) OFF: [8][7][6][5][4][3][2][1] (all OFF)
Dual Link 3G/1.5G-SDI to Single Link 6G/3G-SDI	ON	ON	OFF	ON	ON: [8][7][6][5][4][3][2][1] (8,7,6,5,4,3,2 ON; 1 OFF) OFF: [8][7][6][5][4][3][2][1] (all OFF)
Dual Link 3G-SDI to Quad Link 1.5G-SDI	ON	OFF	OFF	ON	ON: [8][7][6][5][4][3][2][1] (8,6,4,2 ON; 7,5,3,1 OFF) OFF: [8][7][6][5][4][3][2][1] (all OFF)
Quad Link 1.5G-SDI to Single Link 6G-SDI	OFF	ON	ON	ON	ON: [8][7][6][5][4][3][2][1] (7,6,5,4,3,2,1 ON; 8 OFF) OFF: [8][7][6][5][4][3][2][1] (all OFF)
Quad Link 1.5G-SDI to Dual Link 3G-SDI	OFF	OFF	ON	ON	ON: [8][7][6][5][4][3][2][1] (7,6,5,4,3,2,1 ON; 8 OFF) OFF: [8][7][6][5][4][3][2][1] (all OFF)

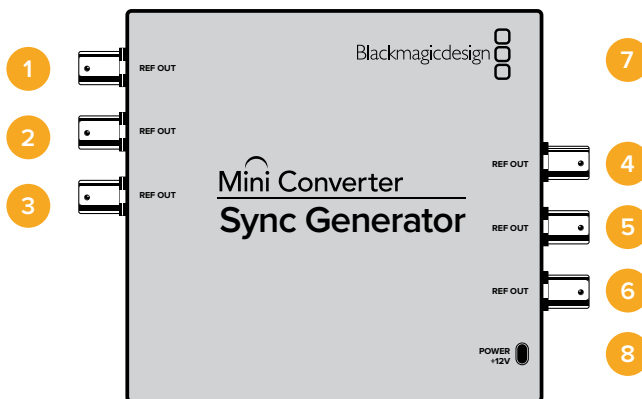


## Mini Converter SDI Multiplex 4K Block Diagram



## Mini Converter Sync Generator

Your Mini Converter Sync Generator includes 6 crystal stabilized video reference outputs for locking your video equipment to a common reference signal. Sync Generator produces high definition tri-sync or standard definition blackburst signals and is perfect for small studios and outside broadcasts.



## Connectors

### 1-6 REF Out

Reference video outputs BNC connectors.

### 7 Mini-B USB port

Connects to the Converters Setup software via your Mac OS X or Windows computer. The Mini Converter's internal software is also updated using the USB port.

### 8 Power +12V

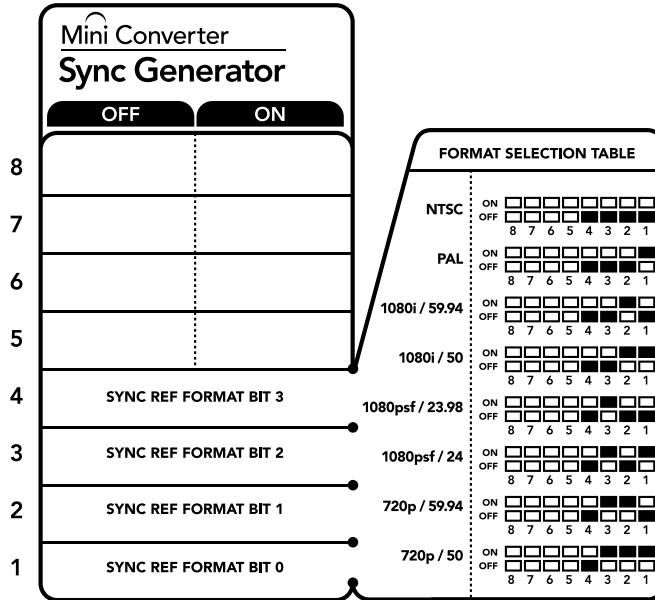
12 volt power supply input.

## Switches

Mini Converter Sync Generator's switches provide the following settings:

### Switch 4, 3, 2 and 1 - SYNC REF FORMAT BIT 3, 2, 1 and 0

Switches 4, 3, 2 and 1 are grouped together to select from many reference video formats, including:



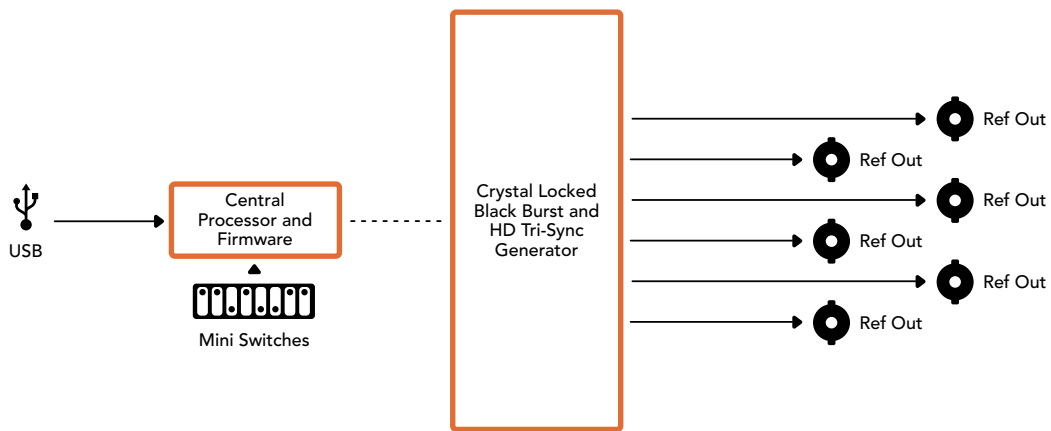
The switch legend on the base of your converter gives you all the information you need to change conversion settings.

### Video Format Selection Table

Video Format	Switch 4	Switch 3	Switch 2	Switch 1	Switch Diagram
NTSC	OFF	OFF	OFF	OFF	ON <input type="checkbox"/> <input type="checkbox"/> <input type="checkbox"/> <input type="checkbox"/> <input type="checkbox"/> <input type="checkbox"/> <input type="checkbox"/> <input type="checkbox"/> OFF <input type="checkbox"/> <input type="checkbox"/> <input type="checkbox"/> <input type="checkbox"/> <input type="checkbox"/> <input type="checkbox"/> <input type="checkbox"/> <input type="checkbox"/>
PAL	OFF	OFF	OFF	ON	ON <input type="checkbox"/> <input type="checkbox"/> <input type="checkbox"/> <input type="checkbox"/> <input type="checkbox"/> <input type="checkbox"/> <input type="checkbox"/> <input type="checkbox"/> OFF <input type="checkbox"/> <input type="checkbox"/> <input type="checkbox"/> <input type="checkbox"/> <input type="checkbox"/> <input type="checkbox"/> <input type="checkbox"/> <input type="checkbox"/>
720p50	OFF	ON	ON	ON	ON <input type="checkbox"/> <input type="checkbox"/> <input type="checkbox"/> <input type="checkbox"/> <input type="checkbox"/> <input type="checkbox"/> <input type="checkbox"/> <input type="checkbox"/> OFF <input type="checkbox"/> <input type="checkbox"/> <input type="checkbox"/> <input type="checkbox"/> <input type="checkbox"/> <input type="checkbox"/> <input type="checkbox"/> <input type="checkbox"/>
720p59.94	OFF	ON	ON	OFF	ON <input type="checkbox"/> <input type="checkbox"/> <input type="checkbox"/> <input type="checkbox"/> <input type="checkbox"/> <input type="checkbox"/> <input type="checkbox"/> <input type="checkbox"/> OFF <input type="checkbox"/> <input type="checkbox"/> <input type="checkbox"/> <input type="checkbox"/> <input type="checkbox"/> <input type="checkbox"/> <input type="checkbox"/> <input type="checkbox"/>
720p60	ON	ON	ON	OFF	ON <input type="checkbox"/> <input type="checkbox"/> <input type="checkbox"/> <input type="checkbox"/> <input type="checkbox"/> <input type="checkbox"/> <input type="checkbox"/> <input type="checkbox"/> OFF <input type="checkbox"/> <input type="checkbox"/> <input type="checkbox"/> <input type="checkbox"/> <input type="checkbox"/> <input type="checkbox"/> <input type="checkbox"/> <input type="checkbox"/>
1080i50	OFF	OFF	ON	ON	ON <input type="checkbox"/> <input type="checkbox"/> <input type="checkbox"/> <input type="checkbox"/> <input type="checkbox"/> <input type="checkbox"/> <input type="checkbox"/> <input type="checkbox"/> OFF <input type="checkbox"/> <input type="checkbox"/> <input type="checkbox"/> <input type="checkbox"/> <input type="checkbox"/> <input type="checkbox"/> <input type="checkbox"/> <input type="checkbox"/>

Video Format	Switch 4	Switch 3	Switch 2	Switch 1	Switch Diagram
1080i59.94	OFF	OFF	ON	OFF	ON OFF
1080i60	ON	OFF	OFF	OFF	ON OFF
1080PsF23.98	OFF	ON	OFF	OFF	ON OFF
1080PsF24	OFF	ON	OFF	ON	ON OFF
1080p23.98	ON	ON	OFF	ON	ON OFF
1080p24	ON	ON	OFF	OFF	ON OFF
1080p25	ON	OFF	ON	ON	ON OFF
1080p29.97	ON	OFF	ON	OFF	ON OFF
1080p30	ON	OFF	OFF	ON	ON OFF

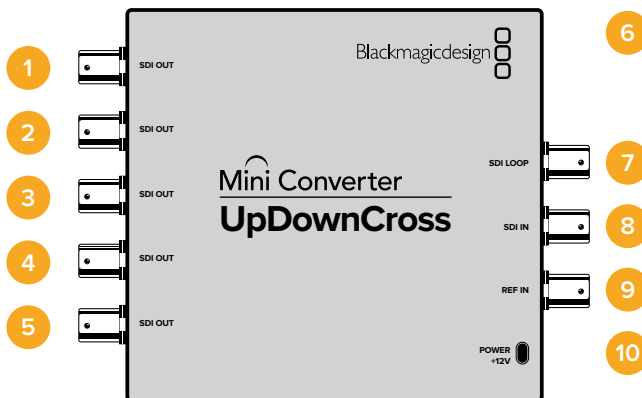
Mini Converter Sync Generator Block Diagram



## Mini Converter UpDownCross

Your Mini Converter UpDownCross performs up, down and cross conversions as well as NTSC/PAL standards conversion and format conversion. Mini Converter UpDownCross can convert between video formats such as 720p to 1080i and PAL and NTSC video standards. It also provides up conversions with aspect ratios such as 4:3 Pillarbox and 16:9 zoom, and down conversion options such as letterbox 4:3 and anamorphic 16:9.

When conversion processing is set to OFF, the Mini Converter acts as an SDI distribution amplifier.



## Connectors

### 1-5 SDI Out

SDI video outputs BNC connectors.

### 6 Mini-B USB port

Connects to the Converter's Setup software via your Mac OS X or Windows computer. The Mini Converter's internal software is also updated using the USB port.

### 7 SDI LOOP

Direct output of your input video.

### 8 SDI IN

SDI Input.

### 9 REF IN

Reference video input.

### 10 Power +12V

12 volt power supply input.

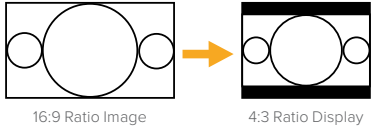

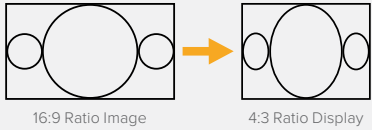
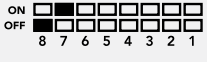
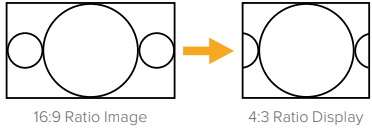
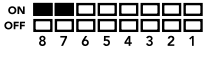
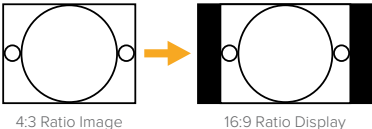

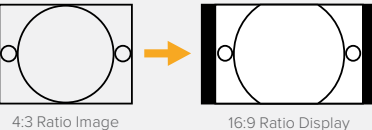
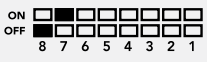
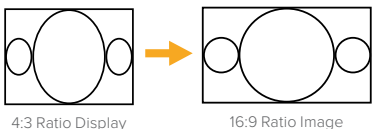

## Switches

Mini Converter UpDownCross' switches provide the following settings:

### Switch 8 - Aspect Ratio Conversion

Combinations of switches 8 and 7 set the video aspect ratio when up or down converting. For example, when down converting, the letterbox aspect ratio is applied by setting switches 8 and 7 to the OFF position.

## Aspect Ratio Conversion Table

Down conversion		Switch 8	Switch 7	Switch Diagram
Letterbox	 <p>16:9 Ratio Image → 4:3 Ratio Display</p>	OFF	OFF	
Anamorphic	 <p>16:9 Ratio Image → 4:3 Ratio Display</p>	OFF	ON	
Center Cut	 <p>16:9 Ratio Image → 4:3 Ratio Display</p>	ON	ON	
Up conversion		Switch 8	Switch 7	Switch Diagram
4:3 Pillarbox	 <p>4:3 Ratio Image → 16:9 Ratio Display</p>	OFF	OFF	
14:9 Pillarbox	 <p>4:3 Ratio Image → 16:9 Ratio Display</p>	OFF	ON	
16:9 De-Squeeze	 <p>4:3 Ratio Display → 16:9 Ratio Image</p>	ON	ON	

You've probably noticed switches 8 and 7 share settings for up and down conversions. This is because aspect ratio settings are determined by the output settings. For example, if you have switches 3 and 2 set for 1080i50 HD output, and processing switch 1 set to ON, Mini Converter UpDownCross will automatically set switches 8 and 7 for down conversion.

Below is a description for each aspect ratio conversion:

### Up conversion

- **4:3 Pillarbox:** This setting displays 4:3 standard definition inside a high definition 16:9 frame. Black bars feature on the sides.
- **14:9 Pillarbox:** This setting is a compromise between 4:3 pillarbox and 16:9 zoom. The standard definition 4:3 image is slightly zoomed into, allowing more image in the 16:9 frame and reducing the amount of black bars on the sides, but slightly losing the top and bottom.
- **16:9 De-Squeeze:** This setting de-squeezes the standard definition 4:3 anamorphic image until it completely fills the 16:9 frame. None of the 4:3 image is lost.

### Down conversion

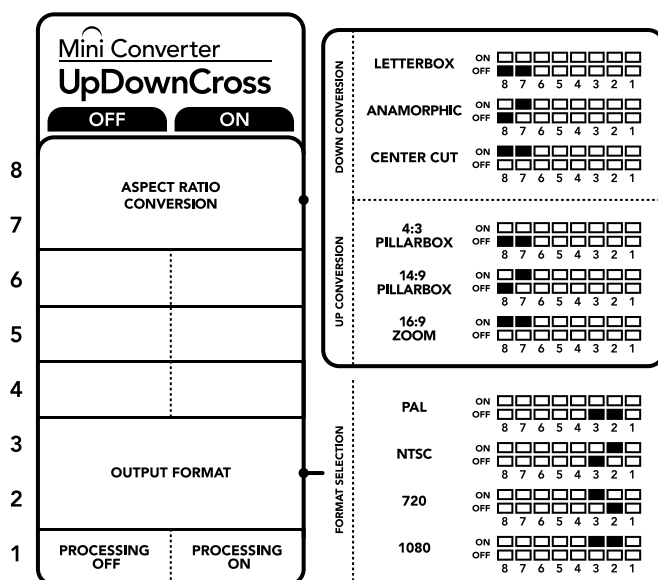
- **Letterbox:** This setting scales the entire 16:9 HD image into a 4:3 SD frame without squeezing, leaving black bars on the top and bottom.
- **Anamorphic:** This setting horizontally squeezes the 16:9 HD image into a 4:3 SD frame.
- **Center Cut:** This setting cuts a 4:3 SD frame from the 16:9 HD image. This aspect ratio setting discards a portion from each side of the 16:9 image.

### Switch 1 - Processing Off - Processing On

When switch 1 is set to OFF all conversions are bypassed and the Mini Converter can be used to distribute your video to six SDI devices.

### Mini Switch Settings Example:

Set the converter to up convert 4:3 625i50 video to 1080i50 with the 4:3 Pillarbox aspect ratio by setting switches 8 and 7 to the OFF position and switches 3, 2 and 1 to the ON position.

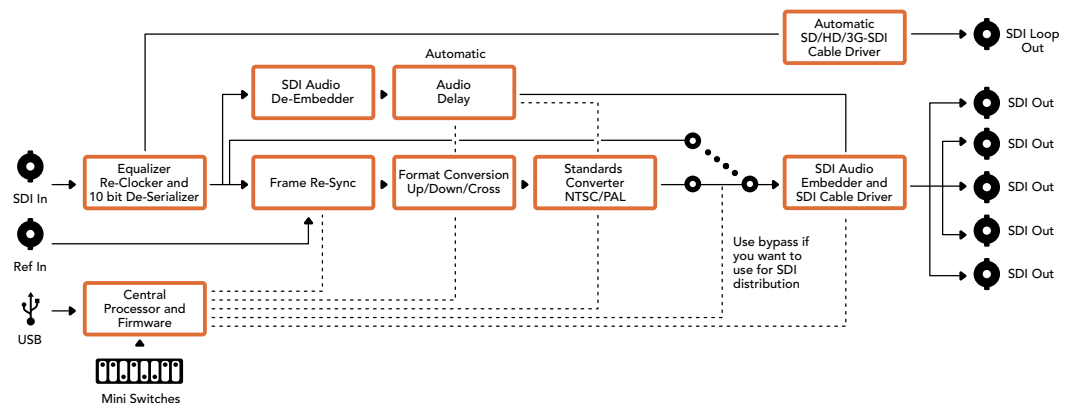


The switch legend on the base of your converter gives you all the information you need to change conversion settings.

## Mini Converter UpDownCross Conversion Table

Input Video	NTSC Switches 1 and 2 ON	PAL Switch 1 ON	720p Switches 1 and 3 ON	1080 Switches 1, 2 and 3 ON
525i59.94	525i59.94	625i50	720p59.94	1080i59.94
625i50	525i59.94	625i50	720p50	1080i50
720p50	525i59.94	625i50	720p50	1080i50
720p59.94	525i59.94	625i50	720p59.94	1080i59.94
720p60	525i59.94	625i50	720p60	1080i60
1080PsF23.98	525i59.94	625i50	720p59.94	1080PsF23.98
1080p23.98	525i59.94	625i50	720p59.94	1080p23.98
1080PsF24	525i59.94	625i50	720p50	1080PsF24
1080p24	525i59.94	625i50	720p50	1080p24
1080p25	525i59.94	625i50	720p50	1080p25
1080p29.97	525i59.94	625i50	720p59.94	1080p29.97
1080p30	525i59.94	625i50	720p60	1080p30
1080i50	525i59.94	625i50	720p50	1080i50
1080i59.94	525i59.94	625i50	720p59.94	1080i59.94
1080i60	525i59.94	625i50	720p60	1080i60
1080p50	525i59.94	625i50	720p50	1080p50
1080p59.94	525i59.94	625i50	720p59.94	1080p59.94
1080p60	525i59.94	625i50	720p60	1080p60
2048x1556PsF23.98	525i59.94	625i50	2048x1556PsF23.98	2048x1556PsF23.98
2048x1556PsF24	525i59.94	625i50	2048x1556PsF24	2048x1556PsF24
2048x1556PsF25	525i59.94	625i50	2048x1556PsF25	2048x1556PsF25

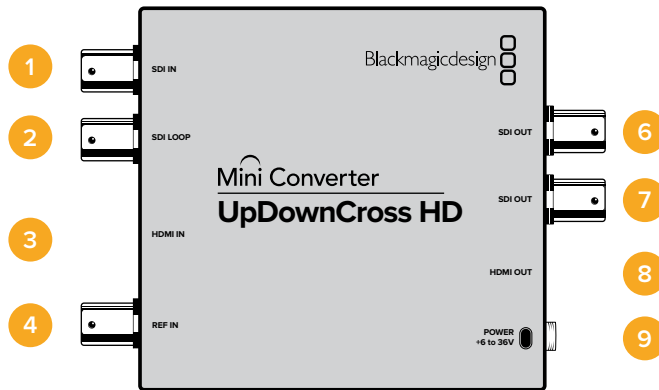
## Mini Converter UpDownCross Block Diagram



## Mini Converter UpDownCross HD

Mini Converter UpDownCross HD is a powerful standards converter that gives you the ability to convert any SD or HD video format with up, down, or cross conversion via SDI and HDMI. This converter supports all SD and HD formats up to 1080p60 plus NTSC and PAL with aspect ratio options for up and down conversions. The HDMI input also accepts 1024 x 768, 800 x 600, and 640 x 480 computer output resolutions.

When conversion processing is set to OFF the HDMI and SDI outputs become loop outputs so you can feed the input signal to other HDMI and SDI equipment.



## Connectors

### 1 SDI IN

SDI input. The small LED next to the BNC connector illuminates when a locked SDI signal is detected. When both SDI and HDMI inputs are connected, the SDI input takes priority.

### 2 SDI LOOP

Direct loop output of your SDI input video.

### 3 HDMI IN

HDMI type A video input. A small LED next to the HDMI IN connector illuminates to show when it detects a valid HDMI input.

### 4 REF IN

Reference video input. A small LED next to the REF IN connector indicates the reference lock status:

**Constant white** - the REF IN matches the format of the output video format set on the converter.

**Flashing white** - the REF IN is a valid video format but doesn't match the output video format set on the converter.

### 5 USB-C PORT

Connects to the Converters Setup software via your Mac OS X or Windows computer. The Mini Converter's internal software is also updated using the USB port.

### 6-7 SDI OUT

SDI video output BNC connectors.

### 8 HDMI OUT

HDMI type A video output.

### 9 POWER +6 to 36V

6 to 36 volt power supply input. The support screw can be secured to the unit's power connector to prevent accidental disconnection. A small LED next to the DC input jack illuminates to show when power is connected.



## Switches

Mini Converter UpDownCross HD's switches provide the following settings :

### Switch 1 - Processing Off - Processing On

When switch 1 is set to OFF all conversions are bypassed and the converter can be used to distribute your video via both SDI and HDMI outputs.

With switch 1 set to OFF the SDI and HDMI outputs match their corresponding inputs.

When switch 1 is set to ON, processing is enabled and switches 4 to 8 configure the converter's output.

### Switch 2 - Level A and Level B 3G-SDI

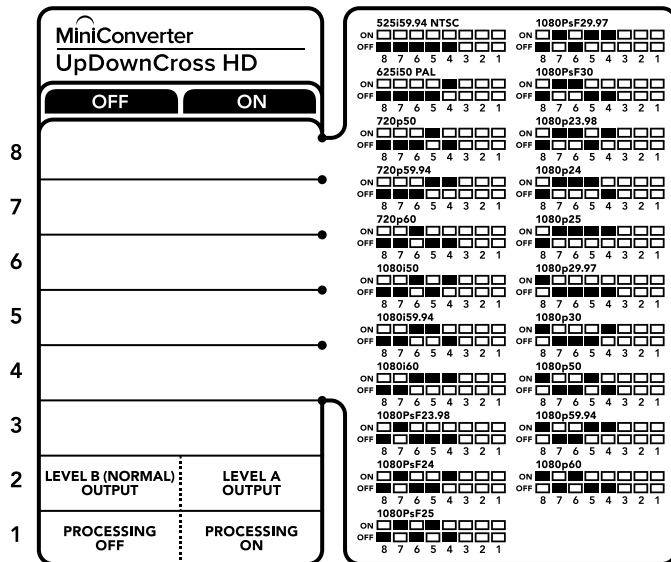
When switch 2 is set to OFF the converter outputs level B 3G-SDI. When set to ON the converter outputs level A 3G-SDI. This provides compatibility with other SDI equipment that uses level A or level B 3G-SDI.

**TIP** If you have connected a 3G-SDI signal to 3G-SDI equipment and the signal is not being detected, try changing the setting for switch 2 as the equipment you're connected to may be using an alternate SDI level.

### Switches 4 - 8

Switches 4 to 8 determine the format and standard of the converter's output signal. The switch configuration for each format and standard is shown on the table on the base of the unit.

Mini Switch Settings Example:



Video Format Selection Table

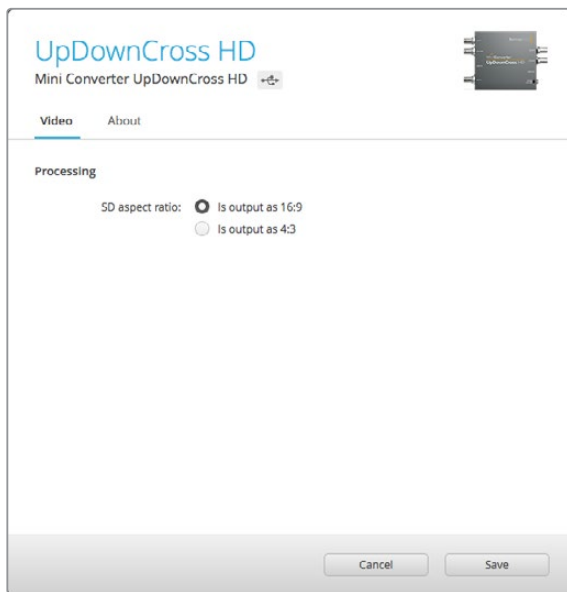
Video Format	Switch 8	Switch 7	Switch 6	Switch 5	Switch 4	Switch Diagram
525i59.94 NTSC	OFF	OFF	OFF	OFF	OFF	ON <input type="checkbox"/> <input type="checkbox"/> <input type="checkbox"/> <input type="checkbox"/> <input type="checkbox"/> <input type="checkbox"/> <input type="checkbox"/> <input type="checkbox"/> OFF <input checked="" type="checkbox"/> <input checked="" type="checkbox"/> <input checked="" type="checkbox"/> <input checked="" type="checkbox"/> <input checked="" type="checkbox"/> <input checked="" type="checkbox"/> <input checked="" type="checkbox"/> <input checked="" type="checkbox"/> 8 7 6 5 4 3 2 1
625i50 PAL	OFF	OFF	OFF	OFF	ON	ON <input type="checkbox"/> <input type="checkbox"/> <input type="checkbox"/> <input type="checkbox"/> <input type="checkbox"/> <input type="checkbox"/> <input type="checkbox"/> <input type="checkbox"/> OFF <input checked="" type="checkbox"/> <input checked="" type="checkbox"/> <input checked="" type="checkbox"/> <input checked="" type="checkbox"/> <input checked="" type="checkbox"/> <input checked="" type="checkbox"/> <input checked="" type="checkbox"/> <input checked="" type="checkbox"/> 8 7 6 5 4 3 2 1
720p50	OFF	OFF	OFF	ON	OFF	ON <input type="checkbox"/> <input type="checkbox"/> <input checked="" type="checkbox"/> <input type="checkbox"/> <input type="checkbox"/> <input type="checkbox"/> <input type="checkbox"/> <input type="checkbox"/> OFF <input checked="" type="checkbox"/> <input checked="" type="checkbox"/> <input checked="" type="checkbox"/> <input checked="" type="checkbox"/> <input checked="" type="checkbox"/> <input checked="" type="checkbox"/> <input checked="" type="checkbox"/> <input checked="" type="checkbox"/> 8 7 6 5 4 3 2 1
720p59.94	OFF	OFF	OFF	ON	ON	ON <input type="checkbox"/> <input type="checkbox"/> <input checked="" type="checkbox"/> <input type="checkbox"/> <input type="checkbox"/> <input type="checkbox"/> <input type="checkbox"/> <input type="checkbox"/> OFF <input checked="" type="checkbox"/> <input checked="" type="checkbox"/> <input checked="" type="checkbox"/> <input checked="" type="checkbox"/> <input checked="" type="checkbox"/> <input checked="" type="checkbox"/> <input checked="" type="checkbox"/> <input checked="" type="checkbox"/> 8 7 6 5 4 3 2 1
720p60	OFF	OFF	ON	OFF	ON	ON <input type="checkbox"/> <input type="checkbox"/> <input type="checkbox"/> <input checked="" type="checkbox"/> <input type="checkbox"/> <input type="checkbox"/> <input type="checkbox"/> <input type="checkbox"/> OFF <input checked="" type="checkbox"/> <input checked="" type="checkbox"/> <input checked="" type="checkbox"/> <input checked="" type="checkbox"/> <input checked="" type="checkbox"/> <input checked="" type="checkbox"/> <input checked="" type="checkbox"/> <input checked="" type="checkbox"/> 8 7 6 5 4 3 2 1
1080i50	OFF	OFF	ON	OFF	ON	ON <input type="checkbox"/> <input type="checkbox"/> <input type="checkbox"/> <input checked="" type="checkbox"/> <input type="checkbox"/> <input type="checkbox"/> <input type="checkbox"/> <input type="checkbox"/> OFF <input checked="" type="checkbox"/> <input checked="" type="checkbox"/> <input checked="" type="checkbox"/> <input checked="" type="checkbox"/> <input checked="" type="checkbox"/> <input checked="" type="checkbox"/> <input checked="" type="checkbox"/> <input checked="" type="checkbox"/> 8 7 6 5 4 3 2 1
1080i59.94	OFF	OFF	ON	ON	OFF	ON <input type="checkbox"/> <input type="checkbox"/> <input checked="" type="checkbox"/> <input type="checkbox"/> <input checked="" type="checkbox"/> <input type="checkbox"/> <input type="checkbox"/> <input type="checkbox"/> OFF <input checked="" type="checkbox"/> <input checked="" type="checkbox"/> <input checked="" type="checkbox"/> <input checked="" type="checkbox"/> <input checked="" type="checkbox"/> <input checked="" type="checkbox"/> <input checked="" type="checkbox"/> <input checked="" type="checkbox"/> 8 7 6 5 4 3 2 1
1080i60	OFF	OFF	ON	ON	ON	ON <input type="checkbox"/> <input type="checkbox"/> <input checked="" type="checkbox"/> <input type="checkbox"/> <input checked="" type="checkbox"/> <input type="checkbox"/> <input type="checkbox"/> <input type="checkbox"/> OFF <input checked="" type="checkbox"/> <input checked="" type="checkbox"/> <input checked="" type="checkbox"/> <input checked="" type="checkbox"/> <input checked="" type="checkbox"/> <input checked="" type="checkbox"/> <input checked="" type="checkbox"/> <input checked="" type="checkbox"/> 8 7 6 5 4 3 2 1
1080PsF23.98	OFF	ON	OFF	OFF	OFF	ON <input type="checkbox"/> <input checked="" type="checkbox"/> <input type="checkbox"/> <input type="checkbox"/> <input type="checkbox"/> <input type="checkbox"/> <input type="checkbox"/> <input type="checkbox"/> OFF <input checked="" type="checkbox"/> <input checked="" type="checkbox"/> <input checked="" type="checkbox"/> <input checked="" type="checkbox"/> <input checked="" type="checkbox"/> <input checked="" type="checkbox"/> <input checked="" type="checkbox"/> <input checked="" type="checkbox"/> 8 7 6 5 4 3 2 1
1080PsF24	OFF	ON	OFF	OFF	ON	ON <input type="checkbox"/> <input type="checkbox"/> <input checked="" type="checkbox"/> <input type="checkbox"/> <input type="checkbox"/> <input type="checkbox"/> <input type="checkbox"/> <input type="checkbox"/> OFF <input checked="" type="checkbox"/> <input checked="" type="checkbox"/> <input checked="" type="checkbox"/> <input checked="" type="checkbox"/> <input checked="" type="checkbox"/> <input checked="" type="checkbox"/> <input checked="" type="checkbox"/> <input checked="" type="checkbox"/> 8 7 6 5 4 3 2 1
1080PsF25	OFF	ON	OFF	ON	OFF	ON <input type="checkbox"/> <input checked="" type="checkbox"/> <input type="checkbox"/> <input type="checkbox"/> <input type="checkbox"/> <input checked="" type="checkbox"/> <input type="checkbox"/> <input type="checkbox"/> OFF <input checked="" type="checkbox"/> <input checked="" type="checkbox"/> <input checked="" type="checkbox"/> <input checked="" type="checkbox"/> <input checked="" type="checkbox"/> <input checked="" type="checkbox"/> <input checked="" type="checkbox"/> <input checked="" type="checkbox"/> 8 7 6 5 4 3 2 1
1080PsF29.97	OFF	ON	OFF	ON	ON	ON <input type="checkbox"/> <input type="checkbox"/> <input checked="" type="checkbox"/> <input type="checkbox"/> <input type="checkbox"/> <input type="checkbox"/> <input type="checkbox"/> <input type="checkbox"/> OFF <input checked="" type="checkbox"/> <input checked="" type="checkbox"/> <input checked="" type="checkbox"/> <input checked="" type="checkbox"/> <input checked="" type="checkbox"/> <input checked="" type="checkbox"/> <input checked="" type="checkbox"/> <input checked="" type="checkbox"/> 8 7 6 5 4 3 2 1
1080PsF30	OFF	ON	ON	OFF	OFF	ON <input type="checkbox"/> <input checked="" type="checkbox"/> <input type="checkbox"/> <input checked="" type="checkbox"/> <input type="checkbox"/> <input type="checkbox"/> <input type="checkbox"/> <input type="checkbox"/> OFF <input checked="" type="checkbox"/> <input checked="" type="checkbox"/> <input checked="" type="checkbox"/> <input checked="" type="checkbox"/> <input checked="" type="checkbox"/> <input checked="" type="checkbox"/> <input checked="" type="checkbox"/> <input checked="" type="checkbox"/> 8 7 6 5 4 3 2 1
1080p23.98	OFF	ON	ON	OFF	ON	ON <input type="checkbox"/> <input checked="" type="checkbox"/> <input type="checkbox"/> <input checked="" type="checkbox"/> <input type="checkbox"/> <input type="checkbox"/> <input type="checkbox"/> <input type="checkbox"/> OFF <input checked="" type="checkbox"/> <input checked="" type="checkbox"/> <input checked="" type="checkbox"/> <input checked="" type="checkbox"/> <input checked="" type="checkbox"/> <input checked="" type="checkbox"/> <input checked="" type="checkbox"/> <input checked="" type="checkbox"/> 8 7 6 5 4 3 2 1
1080p24	OFF	ON	ON	ON	OFF	ON <input type="checkbox"/> <input checked="" type="checkbox"/> <input type="checkbox"/> <input checked="" type="checkbox"/> <input type="checkbox"/> <input checked="" type="checkbox"/> <input type="checkbox"/> <input type="checkbox"/> OFF <input checked="" type="checkbox"/> <input checked="" type="checkbox"/> <input checked="" type="checkbox"/> <input checked="" type="checkbox"/> <input checked="" type="checkbox"/> <input checked="" type="checkbox"/> <input checked="" type="checkbox"/> <input checked="" type="checkbox"/> 8 7 6 5 4 3 2 1
1080p25	OFF	ON	ON	ON	ON	ON <input type="checkbox"/> <input checked="" type="checkbox"/> <input type="checkbox"/> <input checked="" type="checkbox"/> <input type="checkbox"/> <input checked="" type="checkbox"/> <input type="checkbox"/> <input type="checkbox"/> OFF <input checked="" type="checkbox"/> <input checked="" type="checkbox"/> <input checked="" type="checkbox"/> <input checked="" type="checkbox"/> <input checked="" type="checkbox"/> <input checked="" type="checkbox"/> <input checked="" type="checkbox"/> <input checked="" type="checkbox"/> 8 7 6 5 4 3 2 1
1080p29.97	OFF	ON	ON	ON	OFF	ON <input type="checkbox"/> <input checked="" type="checkbox"/> <input type="checkbox"/> <input checked="" type="checkbox"/> <input type="checkbox"/> <input checked="" type="checkbox"/> <input type="checkbox"/> <input type="checkbox"/> OFF <input checked="" type="checkbox"/> <input checked="" type="checkbox"/> <input checked="" type="checkbox"/> <input checked="" type="checkbox"/> <input checked="" type="checkbox"/> <input checked="" type="checkbox"/> <input checked="" type="checkbox"/> <input checked="" type="checkbox"/> 8 7 6 5 4 3 2 1
1080p30	ON	OFF	OFF	OFF	ON	ON <input checked="" type="checkbox"/> <input type="checkbox"/> <input type="checkbox"/> <input type="checkbox"/> <input type="checkbox"/> <input type="checkbox"/> <input type="checkbox"/> <input type="checkbox"/> OFF <input type="checkbox"/> <input checked="" type="checkbox"/> <input checked="" type="checkbox"/> <input checked="" type="checkbox"/> <input checked="" type="checkbox"/> <input checked="" type="checkbox"/> <input checked="" type="checkbox"/> <input checked="" type="checkbox"/> 8 7 6 5 4 3 2 1
1080p50	ON	OFF	OFF	ON	OFF	ON <input checked="" type="checkbox"/> <input type="checkbox"/> <input type="checkbox"/> <input type="checkbox"/> <input type="checkbox"/> <input checked="" type="checkbox"/> <input type="checkbox"/> <input type="checkbox"/> OFF <input type="checkbox"/> <input checked="" type="checkbox"/> <input checked="" type="checkbox"/> <input checked="" type="checkbox"/> <input checked="" type="checkbox"/> <input checked="" type="checkbox"/> <input checked="" type="checkbox"/> <input checked="" type="checkbox"/> 8 7 6 5 4 3 2 1
1080p59.94	ON	OFF	OFF	ON	ON	ON <input checked="" type="checkbox"/> <input type="checkbox"/> <input type="checkbox"/> <input type="checkbox"/> <input type="checkbox"/> <input checked="" type="checkbox"/> <input type="checkbox"/> <input type="checkbox"/> OFF <input type="checkbox"/> <input checked="" type="checkbox"/> <input checked="" type="checkbox"/> <input checked="" type="checkbox"/> <input checked="" type="checkbox"/> <input checked="" type="checkbox"/> <input checked="" type="checkbox"/> <input checked="" type="checkbox"/> 8 7 6 5 4 3 2 1
1080p60	ON	OFF	ON	OFF	OFF	ON <input checked="" type="checkbox"/> <input type="checkbox"/> <input type="checkbox"/> <input checked="" type="checkbox"/> <input type="checkbox"/> <input type="checkbox"/> <input type="checkbox"/> <input type="checkbox"/> OFF <input type="checkbox"/> <input checked="" type="checkbox"/> <input checked="" type="checkbox"/> <input checked="" type="checkbox"/> <input checked="" type="checkbox"/> <input checked="" type="checkbox"/> <input checked="" type="checkbox"/> <input checked="" type="checkbox"/> 8 7 6 5 4 3 2 1

## Converter Setup Utility

The Blackmagic Converters Setup utility can be used to change settings such as aspect ratio, and update your Mini Converter's software. All utility settings are maintained, even when the Mini Converter is switched off. You can access these settings by moving between the 'video,' 'audio,' and 'about' tabs.

The 'about' tab is detailed in the 'changing settings' section in this manual.

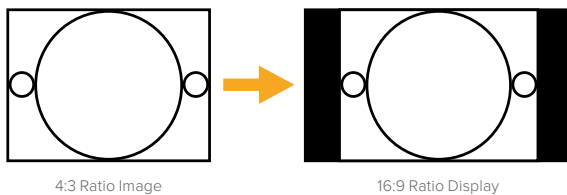
The 'video' tab for Mini Converter UpDownCross HD contains the following settings:



Use the 'video' tab in Converters Setup to select an SD aspect ratio.

### Aspect Ratio for Standard Definition

Select an option for the aspect ratio of the SD output. You can choose 4:3 pillar boxed or 16:9. For example, if your input video is SD 4:3 then selecting 4:3 will output 4:3 pillar boxed to maintain the original 4:3 aspect ratio inside the 16:9 frame. However, if your input video is SD 16:9 select the 16:9 option to output a direct 16:9 conversion.

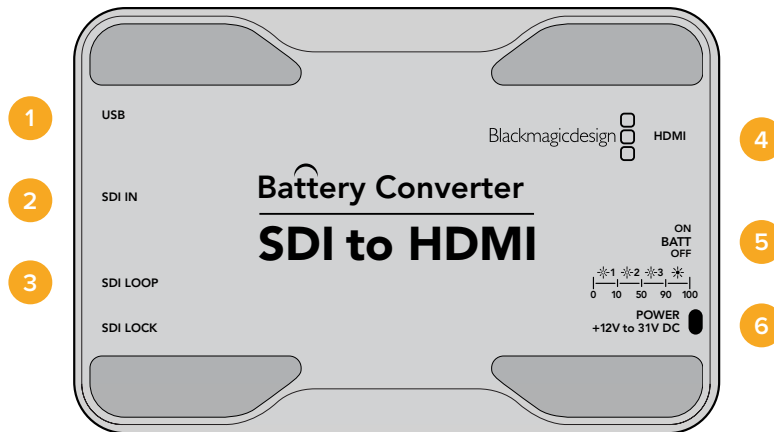


The default aspect ratio setting in the setup utility will output SD video as pillar boxed 4:3, however, you can set the converter to maintain a 16:9 ratio if required by selecting the 16:9 option on the 'video' tab of the setup utility.

# Blackmagic Battery Converters

## Battery Converter SDI to HDMI

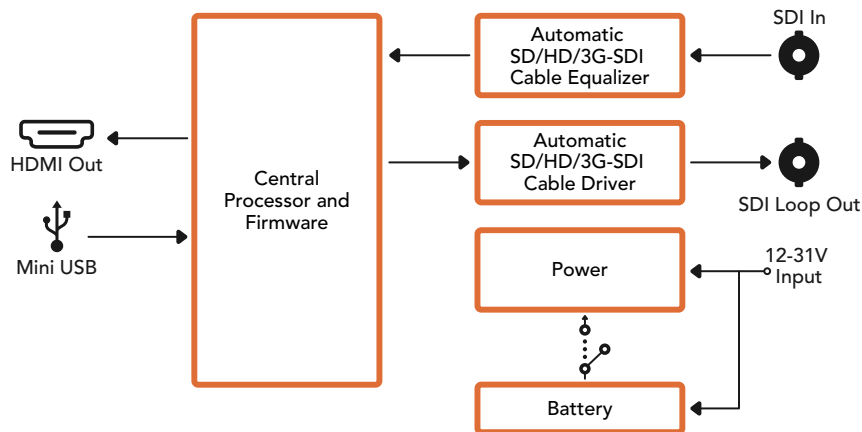
With Battery Converter SDI to HDMI you can connect a huge range of HDMI displays and video projectors to SDI based equipment. Your Battery Converter SDI to HDMI automatically detects between SD/HD/3G-SDI and converts to HDMI with embedded audio. Battery Converter SDI to HDMI includes a built in rechargeable battery and recessed connectors protected by an aircraft grade aluminum chassis.



## Connectors

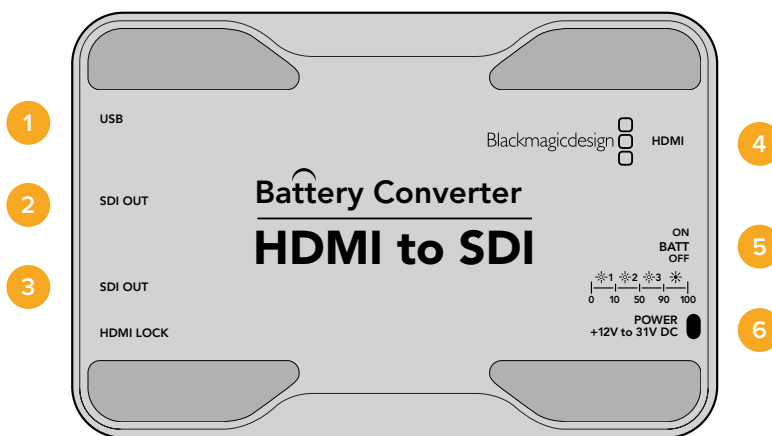
- 1 Mini-B USB port**  
Connects to the Blackmagic Converters Setup software via your Mac OS X or Windows computer. The Mini Converter's internal software is also updated using the USB port.
- 2 SDI In**  
Primary SDI input BNC connector.
- 3 SDI Loop**  
Loop through output of your SDI input BNC connector.
- 4 HDMI**  
HDMI type A video output.
- 5 ON BATT OFF**  
Switches battery power On or Off. When set to On, the Battery Converter will keep working even if external power is lost. When set to Off, only external power is used to ensure built in battery power is saved. The LED near the switch indicates the battery charge level by a continuous illumination for 100 percent charge, three flashes for 50 to 90 percent charge, two flashes for 10 to 50 percent charge and a single flash if less than 10 percent charge is remaining.
- 6 Power +12V**  
12 volt power supply input.

## Battery Converter SDI to HDMI Block Diagram



## Battery Converter HDMI to SDI

Your Battery Converter HDMI to SDI can convert HDMI outputs from devices such as HDV cameras and game consoles to SDI. This means you can send video signals from HDMI over SDI using the longest SDI cables. You can even add SDI outputs to computers with HDMI compatibility. Battery Converter HDMI to SDI includes a built in rechargeable battery. Connectors are recessed and protected by an aircraft grade aluminum chassis.



## Connectors

- 1 Mini-B USB port**  
Connects to the Blackmagic Converters Setup software via your Mac OS X or Windows computer. The Mini Converter's internal software is also updated using the USB port.
- 2 SDI OUT**  
SDI video output BNC connector.
- 3 SDI OUT**  
Second SDI output.
- 4 HDMI**  
HDMI type A video input.

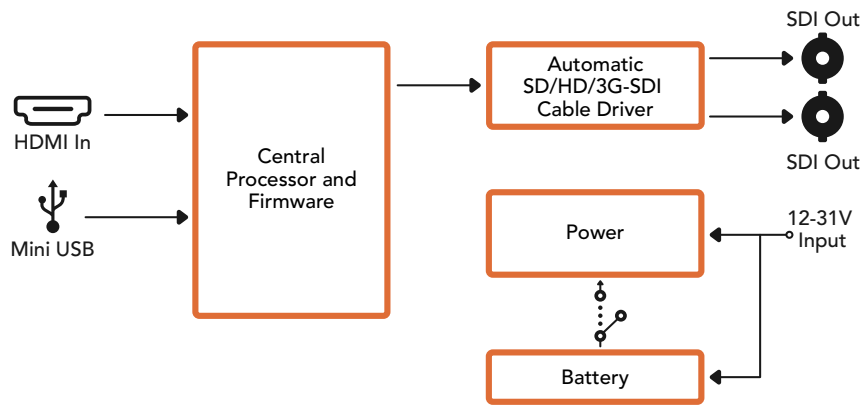
**5 ON BATT OFF**

Switches battery power On or Off. When set to On, the Battery Converter will keep working even if external power is lost. When set to Off, only external power is used to ensure built in battery power is saved. The LED near the switch indicates the battery charge level by a continuous illumination for 100 percent charge, three flashes for 50 to 90 percent charge, two flashes for 10 to 50 percent charge and a single flash if less than 10 percent charge is remaining.

**6 Power +12V**

12 volt power supply input.

Battery Converter HDMI to SDI Block Diagram



# Help

## Getting Help

The fastest way to obtain help is to go to the Blackmagic Design online support pages and check the latest support material available for your Blackmagic Converter.

### **Blackmagic Design Online Support Pages**

The latest manual, software and support notes can be found at the Blackmagic Design support center at [www.blackmagicdesign.com/support](http://www.blackmagicdesign.com/support).

### **Blackmagic Design Forum**

The Blackmagic Design forum on our website is a helpful resource you can visit for more information and creative ideas. This can also be a faster way of getting help as there may already be answers you can find from other experienced users and Blackmagic Design staff which will keep you moving forward. You can visit the forum at <https://forum.blackmagicdesign.com>

### **Contacting Blackmagic Design Support**

If you can't find the help you need in our support material, or on the forum, please click the "Send us an email" button on the support page to email a support request. Alternatively, click on the "Find your local support team" button and call your nearest Blackmagic Design support office.

### **Checking the Software Version Currently Installed**

To check which version of Converter Setup software is installed on your computer, open the About Blackmagic Converter Setup window.

- On Mac OS X, open Blackmagic Converter Setup from the Applications folder. Select About Blackmagic Converter Setup from the application menu to reveal the version number.
- On Windows, open Blackmagic Converter Setup from your Start menu. Click on the Help menu and select About Blackmagic Converter Setup to reveal the version number.
- On Windows 8, open Blackmagic Converter Setup from the Blackmagic Converter Setup tile on your Start page. Click on the Help menu and select About Blackmagic Converter Setup to reveal the version number.

### **How to Get the Latest Software Updates**

After checking the version of Blackmagic Converters Setup software installed on your computer, please visit

the Blackmagic Design support center at [www.blackmagicdesign.com/support](http://www.blackmagicdesign.com/support) to check for the latest updates. While it is usually a good idea to run the latest updates, it is wise to avoid updating any software if you are in the middle of an important project.

# Warranty

## Limited Warranty


Blackmagic Design warrants that Mini Converters and Mini Converters Heavy Duty will be free from defects in materials and workmanship for a period of 36 months from the date of purchase excluding connectors, cables, fiber optic modules, fuses and batteries which will be free from defects in materials and workmanship for a period of 12 months from the date of purchase. Blackmagic Design warrants that Battery Converters will be free from defects in materials and workmanship for a period of 12 months from the date of purchase. If a product proves to be defective during this warranty period, Blackmagic Design, at its option, either will repair the defective product without charge for parts and labor, or will provide a replacement in exchange for the defective product.

In order to obtain service under this warranty, you the Customer, must notify Blackmagic Design of the defect before the expiration of the warranty period and make suitable arrangements for the performance of service. The Customer shall be responsible for packaging and shipping the defective product to a designated service center nominated by Blackmagic Design, with shipping charges pre paid. Customer shall be responsible for paying all shipping charges, insurance, duties, taxes, and any other charges for products returned to us for any reason.

This warranty shall not apply to any defect, failure or damage caused by improper use or improper or inadequate maintenance and care. Blackmagic Design shall not be obligated to furnish service under this warranty: a) to repair damage resulting from attempts by personnel other than Blackmagic Design representatives to install, repair or service the product, b) to repair damage resulting from improper use or connection to incompatible equipment, c) to repair any damage or malfunction caused by the use of non Blackmagic Design parts or supplies, or d) to service a product that has been modified or integrated with other products when the effect of such a modification or integration increases the time or difficulty of servicing the product. THIS WARRANTY IS GIVEN BY BLACKMAGIC DESIGN IN LIEU OF ANY OTHER WARRANTIES, EXPRESS OR IMPLIED. BLACKMAGIC DESIGN AND ITS VENDORS DISCLAIM ANY IMPLIED WARRANTIES OF MERCHANTABILITY OR FITNESS FOR A PARTICULAR PURPOSE. BLACKMAGIC DESIGN'S RESPONSIBILITY TO REPAIR OR REPLACE DEFECTIVE PRODUCTS IS THE WHOLE AND EXCLUSIVE REMEDY PROVIDED TO THE CUSTOMER FOR ANY INDIRECT, SPECIAL, INCIDENTAL OR CONSEQUENTIAL DAMAGES IRRESPECTIVE OF WHETHER BLACKMAGIC DESIGN OR THE VENDOR HAS ADVANCE NOTICE OF THE POSSIBILITY OF SUCH DAMAGES. BLACKMAGIC DESIGN IS NOT LIABLE FOR ANY ILLEGAL USE OF EQUIPMENT BY CUSTOMER. BLACKMAGIC IS NOT LIABLE FOR ANY DAMAGES RESULTING FROM USE OF THIS PRODUCT. USER OPERATES THIS PRODUCT AT OWN RISK.

© Copyright 2018 Blackmagic Design. All rights reserved. 'Blackmagic Design', 'DeckLink', 'HDLINK', 'Workgroup Videohub', 'Multibrige Pro', 'Multibrige Extreme', 'Intensity' and 'Leading the creative video revolution' are registered trademarks in the US and other countries. All other company and product names may be trade marks of their respective companies with which they are associated.



Blackmagicdesign 



インストール/オペレーション マニュアル

# Blackmagic Converters

2018年6月

日本語



## ようこそ

このたびはBlackmagicコンバーターをお買い求めいただき誠にありがとうございます。

Blackmagic Mini Converter、Mini Converter Heavy Duty、Battery Converter、Micro Converterがあれば、事実上必要となるすべてのコンバージョンに対応可能です。Mini Converterシリーズはアナログからデジタル、デジタルからアナログ、SDIからオーディオ、オーディオからSDI、アップ/ダウン/クロス変換、SDI分配に対応し、シンクジェネレーターですべてのビデオ機器を同一のリファレンス信号にロックすることもできます。同じ変換を超堅牢なデザインで実現できるMini Converter Heavy Dutyモデルはロケ撮影に最適です。Battery Converterは外部電源がない場合でもロケ現場で使用できます。よりコンパクトなBlackmagic Micro Converterシリーズは、SDI to HDMI、HDMI to SDIの変換が可能なので、あらゆるHDMI出力をSDIビデオレコーダーやスイッチャーに接続したり、SDIビデオ機器をHDMIモニターに接続したりできます。

このマニュアルには、Blackmagicコンバーターの使用に必要な情報がすべて記載されています。

弊社ウェブサイト [www.blackmagicdesign.com/jp](http://www.blackmagicdesign.com/jp) のサポートページで、同マニュアルの最新バージョンを確認し、Blackmagicコンバーターが内部ソフトウェアに対応している場合はアップデートを確認してください。ソフトウェアをアップデートすることで、常に最新の機能をお使いいただけます。ソフトウェアをダウンロードする際にユーザー登録をいただければ、新しいソフトウェアのリリース時にお客様にお知らせいたします。私たちは、常に新機能の開発および製品の改善に努めていますので、ユーザーの皆様からご意見をいただければ幸いです。

A handwritten signature in black ink that reads "Grant Petty". The signature is written in a cursive, flowing style.

Blackmagic Design CEO

グラント・ペティ

# 目次

## Blackmagic Converters

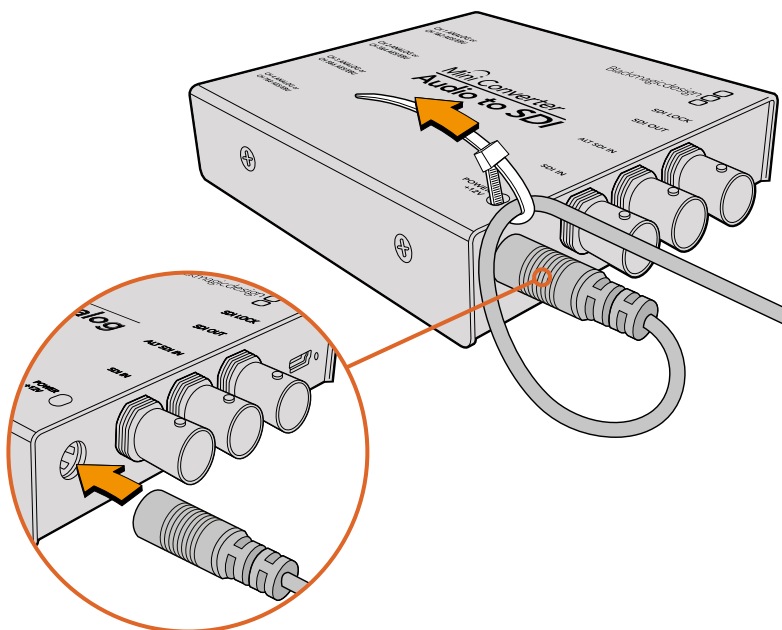
<b>はじめに</b>	<b>95</b>	Mini Converter HDMI to SDI	121
電源の接続	95	Mini Converter HDMI to SDI 4K	124
ビデオの接続	96	Mini Converter HDMI to SDI 6G	127
オーディオの接続	97	Mini Converter SDI to Analog	130
<b>管理ソフトウェアのインストール</b>	<b>98</b>	Mini Converter SDI to Analog 4K	135
Blackmagic Converters Setupのインストール	98	Mini Converter Analog to SDI	139
内部ソフトウェアのアップデート	99	Mini Converter SDI to Audio	143
Mini Converter SDI Distribution 4Kのアップデート	100	Mini Converter SDI to Audio 4K	146
<b>設定の変更</b>	<b>101</b>	Mini Converter Audio to SDI	149
スイッチを使用して設定を変更	101	Mini Converter Audio to SDI 4K	153
Blackmagic Converters Setupを使用して設定を変更	102	Mini Converter Optical Fiber	157
Aboutタブ	103	Mini Converter Optical Fiber 4K	158
<b>Blackmagic Converterモデル</b>	<b>103</b>	Mini Converter Optical Fiber 12G	159
<b>Teranex Mini Converters</b>	<b>103</b>	Mini Converter Quad SDI to HDMI 4K	160
<b>Blackmagic Micro Converters</b>	<b>104</b>	Mini Converter SDI Distribution	161
Micro Converter SDI to HDMI	104	Mini Converter SDI Distribution 4K	162
Micro Converter HDMI to SDI	105	Mini Converter SDI Multiplex 4K	163
Micro Converter BiDirectional SDI/HDMI	107	Mini Converter Sync Generator	166
<b>Blackmagic Mini Converters</b>	<b>109</b>	Mini Converter UpDownCross	169
Mini Converter SDI to HDMI	109	Mini Converter UpDownCross HD	173
Mini Converter SDI to HDMI 4K	112	<b>Blackmagic Battery Converters</b>	<b>177</b>
Mini Converter SDI to HDMI 6G	116	Battery Converter SDI to HDMI	177
		Battery Converter HDMI to SDI	178
		<b>ヘルプ</b>	<b>180</b>
		<b>保証</b>	<b>181</b>

## はじめに

Blackmagicコンバーターは、電源を入れてソースビデオをコンバーターのビデオ入力に接続し、ビデオ出力を送信先の機器に接続するだけで簡単に使用開始できます。

### 電源の接続

使用する国の電源に適したソケットアダプターを使用して同梱の12V電源を接続します。ケーブルタイポイントが付いたコンバーターでは、電源をコンバーターに簡単に固定できます。



電源ケーブルをコンバーターのケーブルタイポイントに固定すれば誤って外れてしまうことはありません。

### Micro Converters

Blackmagic Micro Converterシリーズの電源は、マイクロUSB端子から供給される便利かつ柔軟性のある電源ソリューションになっています。例えば、最新の携帯電話用のバッテリー充電器に接続したり、あるいはラップトップコンピューターのUSBポートに接続することでコンバーターに電源を供給できます。標準のUSB経由でマイクロUSBケーブルに5Vを供給できるあらゆるデバイスからBlackmagic Micro Converterに給電可能です。

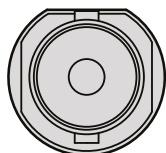
### Battery Converters

Blackmagic Battery Converterシリーズには、「On Batt Off」とラベルの付いたスイッチがあり、主電源とバッテリー電源を切り替えられます。「On」に設定されている場合、Battery Converterは、外部電源からの給電が止まっても動作を続けます。「Off」に設定されている場合、外部電源のみが使用され、内蔵バッテリーの電池残量は維持されます。スイッチの側のLEDは、バッテリー充電レベルを表示します。100%充電されている場合は継続的に光り、50～90%では3度点滅、10～50%では2度点滅、そして充電が10%以下になると1度点滅になります。

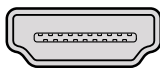


## ビデオの接続

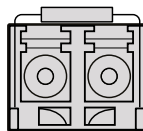
ビデオ入力および出力の接続は、ソースビデオをコンバーターのビデオ入力に接続し、ビデオ出力を送信先の機器に接続します。



BNC



HDMI

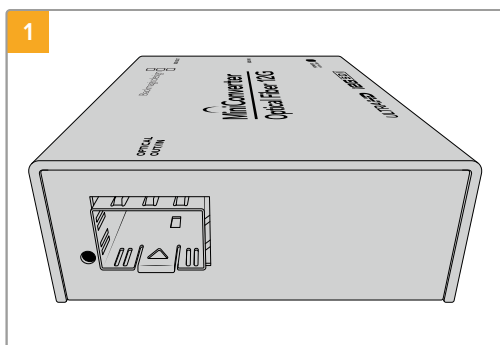


Optical Fiber

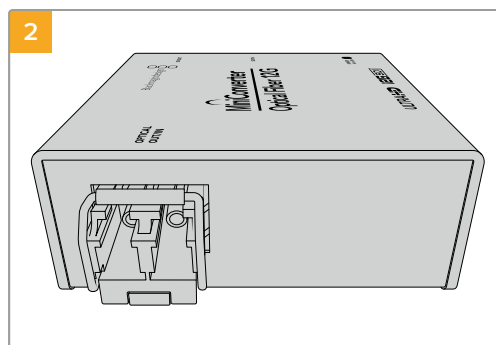
Blackmagicコンバーターのモデルに応じて、ビデオ接続端子はBNC、HDMI、光ファイバーLCと異なります。

### 光ファイバーコネクタ

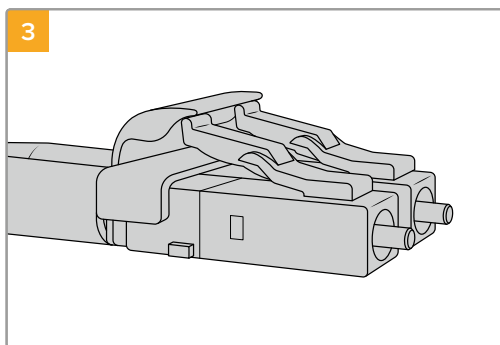
Blackmagic Converterの一部のモデルは、SFPソケットを搭載しており、互換性のあるSFP光ファイバーモジュールを接続して、3G/6G/12G-SDIビデオに対応できます。モジュールは、光トランスミッターおよびレシーバーで、光ファイバーケーブルを接続するソケットを搭載しています。



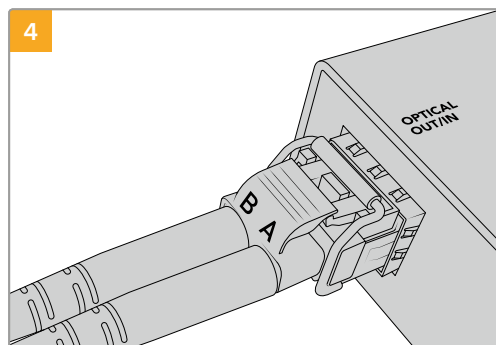
1  
光出力/入力ソケットに、埃が溜まっていないか確認します。



2  
SFP光ファイバーモジュールの保護カバーを取り除き、SFPソケットに挿入します。ソケットの適切な位置にモジュールが収まると、ロックピンがカチッと鳴り、固定されます。



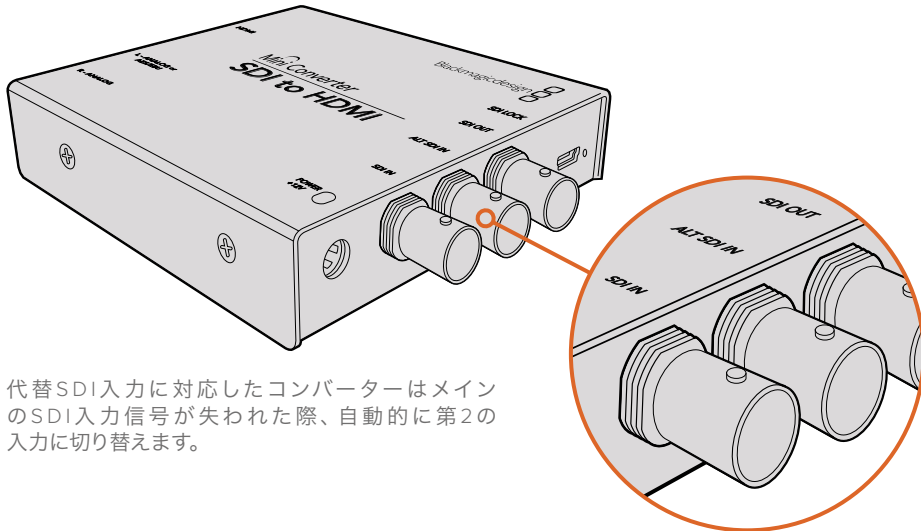
3  
光ファイバーケーブルの上部にはラッチ機構があるため、ソケットから外れません。



4  
光ファイバーケーブルを差し込みます。出力と入力のプラグが適切なソケットに挿入され、プラグのラッチ機構がSFP光ファイバーモジュールのレバー部分に噛み合っていることを確認してください。

## フェイルセーフの代替SDI入力

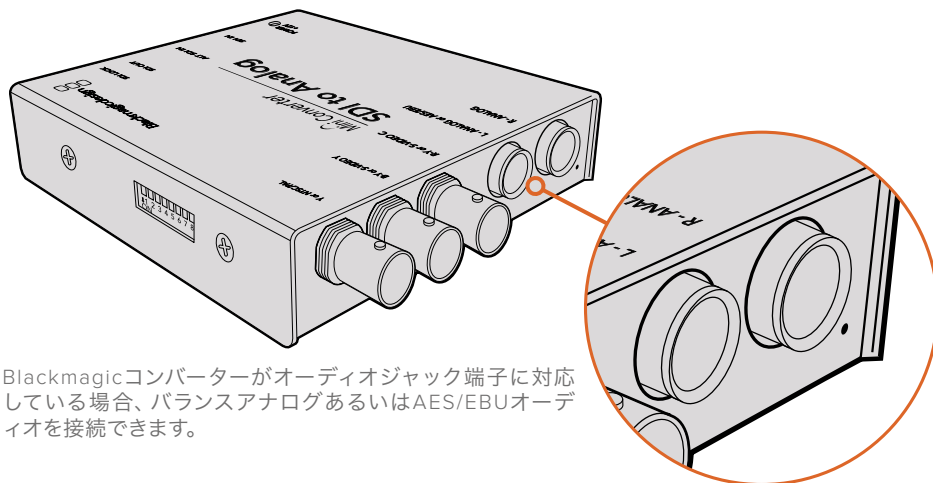
いくつかのBlackmagicコンバーターは、冗長性を持たせるために代替SDI入力を搭載しています。これらの入力は「Alt SDI In」とラベルされており、メインのSDI入力信号が失われると即座に切り替わります。このような場合「SDI LOCK」のLEDが点滅し、コンバーターが「Alt SDI In」の入力に切り替わったことを表示します。



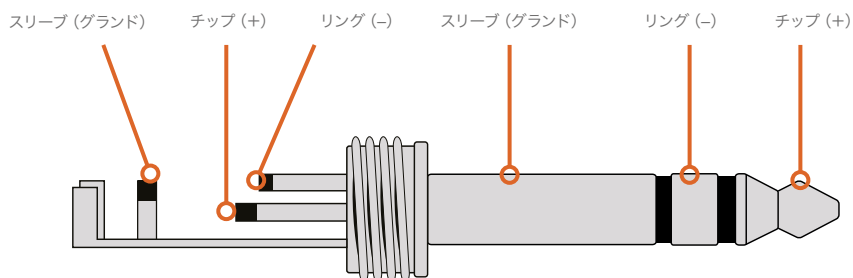
## オーディオの接続

### オーディオジャック端子

いくつかのBlackmagicコンバーターは1/4インチジャックを内蔵しているので、外部バランスアナログあるいはAES/EBUデジタルオーディオを簡単に接続できます。1/4インチジャックはバランスTRS端子です。TRSは、チップ (Tip)、リング (Ring)、スリーブ (Sleeve) の略で、それぞれジャックコネクターの3つの接続部を指します。



以下の図はオスの1/4ジャック端子内部のピン配線です。オーディオケーブルを自作する場合に参照してください。



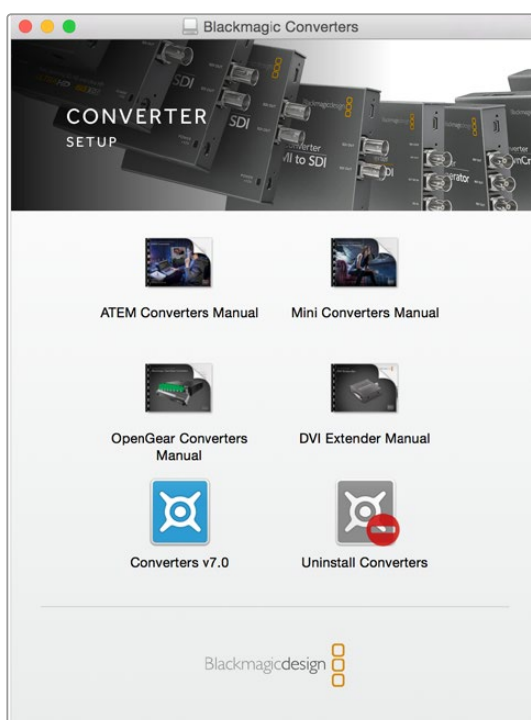
前ページのオーディオジャックの図は、ジャック端子のポジティブ、ネガティブ、接地のピン配線を示しています。オーディオ機器に合わせてアナログオーディオケーブルの極を反転する必要がある場合、チップとリングのピンでポジティブ/ネガティブ配線を入れ替えます。

**メモ** ステレオアナログケーブルを接続する場合、1つのチャンネルのジャックコネクターの極を反転するのであれば、2つ目のチャンネルも同様にしないとアナログオーディオ逆相の原因となります。

## 管理ソフトウェアのインストール

### Blackmagic Converters Setupのインストール

Blackmagic Converters Setupは、コンバーターの設定変更や内部ソフトウェアのアップデートに使用します。調整できる設定項目は、モデルによって異なります。しかし、Blackmagicコンバーターの中には設定の調整が必要なく、さらに内部ソフトウェアに対応していないモデルもあります。こういったコンバーターにはUSBコネクタが付いていません。ご使用のコンバーターがこれに該当する場合、同セクションは飛ばして、該当コンバーターモデルのページに進んでください。



Blackmagic Converters Setupは、Mac OS XまたはWindowsにインストールできます。

### Mac OS Xへのインストール

- 1 Blackmagic Converters Setupソフトウェアを[www.blackmagicdesign.com/jp](http://www.blackmagicdesign.com/jp) からダウンロードします。
- 2 ダウンロードしたファイルを解凍し、さらにディスクイメージを開いてコンテンツを表示します。
- 3 Installerをダブルクリックし、画面の指示に従ってインストールします。
- 4 インストールが完了したら「Close」をクリックします。これでBlackmagic Converters Setupがインストールされました。

### Windowsへのインストール

- 1 Blackmagic Converters Setupを[www.blackmagicdesign.com/jp](http://www.blackmagicdesign.com/jp) からダウンロードします。
- 2 ダウンロードしたファイルを解凍します。Blackmagic Converters Setupフォルダーには、同PDFマニュアルおよびBlackmagic Converters Setup Installerが含まれています。
- 3 Installerをダブルクリックし、画面の指示に従ってインストールします。
- 4 「Finish」をクリックしてインストールを完了します。

これでBlackmagic Converters Setupを使用できます。

## 内部ソフトウェアのアップデート

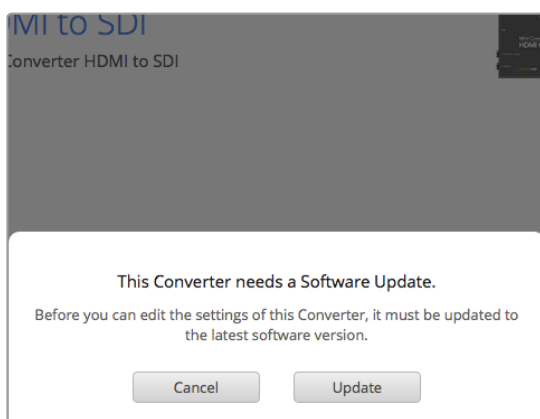
ご使用のBlackmagic ConverterにUSBコネクタが付いている場合、変更可能な追加設定があり、コンバーターを最新の内部ソフトウェアにアップデートできます。最新のソフトウェアは、Blackmagic Designのサポートセンターからダウンロードできます。[www.blackmagicdesign.com/jp/support](http://www.blackmagicdesign.com/jp/support)

Blackmagic Micro Convertersをアップグレードする際は、電源はUSB経由で供給されるので電源の接続に関して心配する必要はありません。

Blackmagic Mini Converter、Battery Converter、Mini Converter Heavy Dutyは、USB経由でコンピューターに接続する前にコンバーターに電源が入っているか確認する必要があります。

- 1 コンバーターの電源を入れます。
- 2 コンピューターからUSBケーブルをコンバーターに接続し、Blackmagic Converter Setupを起動します。

Blackmagic Converterがセットアップユーティリティのホームページに表示されます。複数のコンバーターをUSBで接続している場合、ホームページの左右にある矢印アイコンをクリックして使用したいコンバーターを選択します。



Blackmagic Converters Setupが古いバージョンの内部ソフトウェアを検出した場合、アップデートを推奨するメッセージが表示されます。



コンバーターが接続されていない場合、ホームページに「No Converters found」と表示されます。コンバーターをUSB経由でコンピューターに接続していても、電源が入っていない場合はホームページには「No Power Connected」と表示されます。コンバーターの電源を入れると設定にアクセスできます。

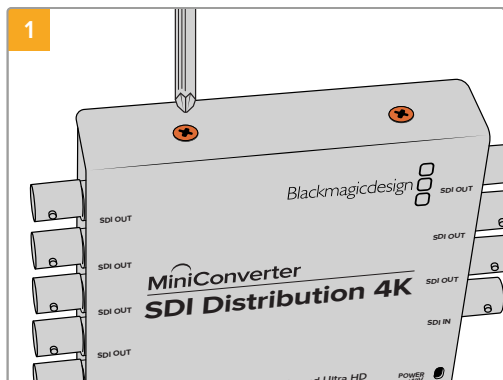
Blackmagic Converters Setupのバージョンが現在の内部ソフトウェアよりも新しい場合は、アップデートを推奨するメッセージが表示されます。その場合は画面の指示に従い、アップデートしてください。

## Mini Converter SDI Distribution 4Kのアップデート

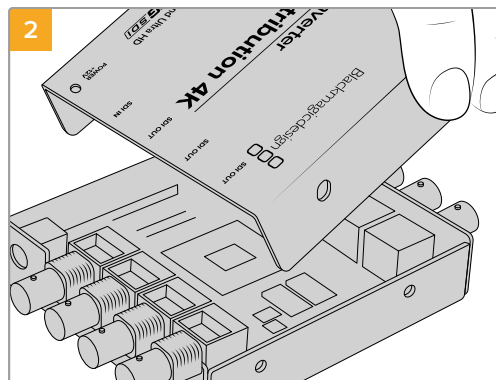
Blackmagic Mini Converter SDI Distribution 4KはUSBコネクタを内蔵しています。Mini Converterはユーザーによる調整が可能な設定がないので、セットアップソフトウェアを接続する必要はありません。しかし、極めて稀に他の機器との互換性を改善する内部ソフトウェアアップデートがリリースされることがあります。例えば、Blackmagic Converters Softwareのバージョン7.0.9は、このコンバーターとLevel-A 3G-SDI信号の互換性を向上します。

Mini Converter SDI Distribution 4Kと共に使用している機器に特定のアップデートが適用される場合、下記の方法に従いMini ConverterのUSBコネクタにアクセスしてください。

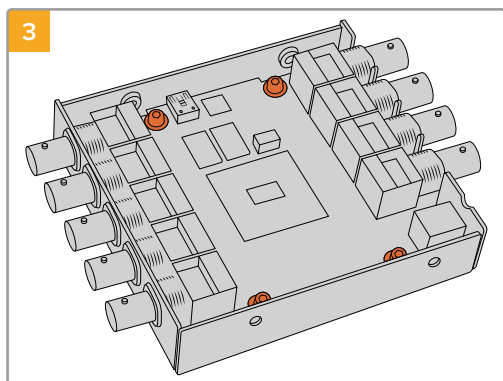
**メモ** Mini Converter SDI Distribution 4Kにアクセスする前に電源を必ず切ってください。この作業は、資格を持ったエンジニアにより静電気除去ストラップを使用して行われることが推奨されます。



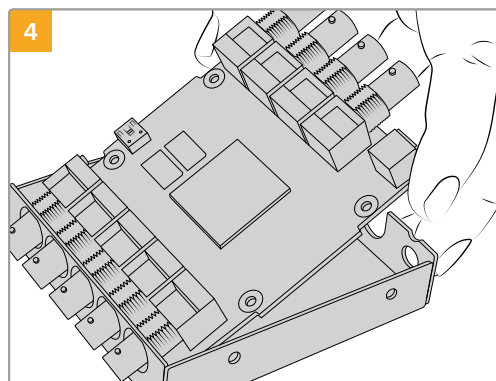
プラスドライバーを使用し、Mini Converter SDI Distribution 4Kの側面にある4本のM3ネジを外します。



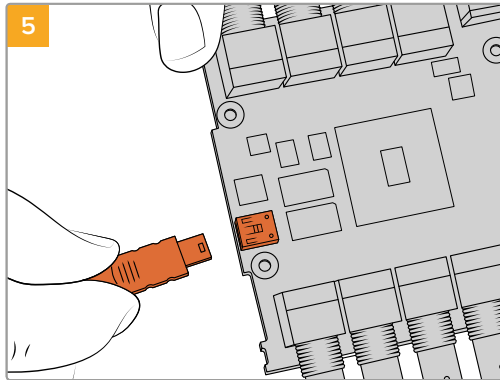
カバーをスライドさせて外します。



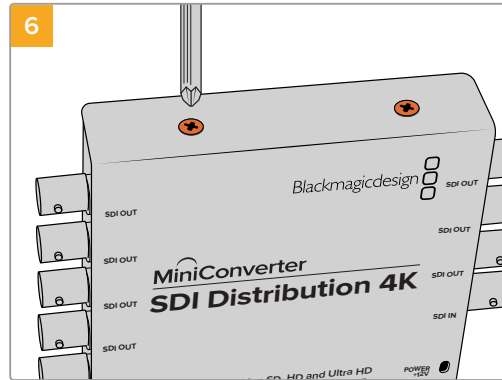
T10トルクスドライバーで、Mini Converter SDI Distribution 4Kのフレームにサーキットボードを固定している4本のネジを外します。



ゆっくりとフレームからサーキットボードを取り除き、USBコネクタにアクセスします。



5  
Mini Converter SDI Distribution 4Kを電源に接続し、USBケーブルを使ってコンピューターに接続します。他のMini Converterと同様に、内部ソフトウェアをアップデートします。



6  
Mini Converter SDI Distribution 4Kを元の状態に組み立てるには、上記の1~4の作業を逆の順番で行なってください。

**メモ** Mini Converter SDI Distribution 4Kのサーキットボードを扱う際は、内部コンポーネントのショート防止のために必ずボードの端を持つようにしてください。

## 設定の変更

ご使用のBlackmagic Converterが設定調整に対応している場合、2つの方法で設定を変更できます。コンバーターの側面に付いている内蔵スイッチを使うか、あるいはBlackmagic Converters Setup Utilityソフトウェアを使って変更できます。このユーティリティは、アナログビデオおよびオーディオレベルなど、スイッチでは変更できない設定を変更することもできます。

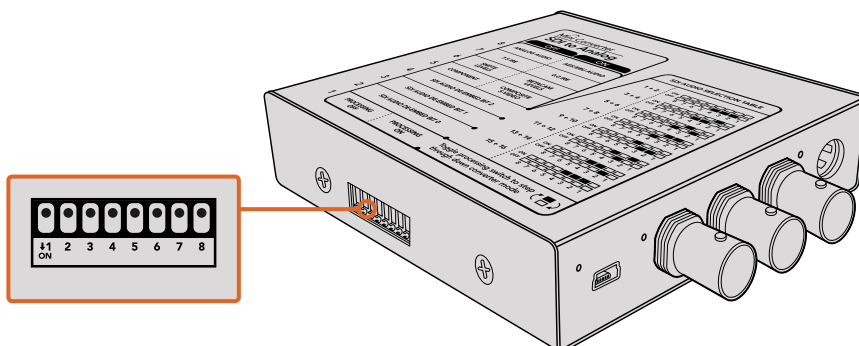
### スイッチを使用して設定を変更

多くのBlackmagicコンバーターモデルは、内蔵スイッチを搭載しています。

スイッチ設定を変更するにはペン先などを使ってスイッチを上下に動かします。これによりスイッチがON/OFFに切り替わります。8つのスイッチをあらゆる組み合わせに設定することで、変換設定を正確に選択できます。

スイッチ設定のダイアグラムはコンバーターの底面にプリントされています。スイッチ番号は左から順に1~8です。設定がダイアグラムと合っていることを確認してください。

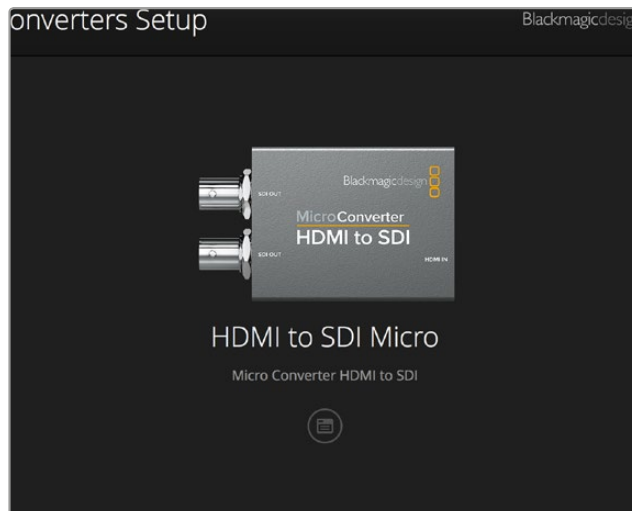
スイッチの説明と設定に関する詳細は、このマニュアルの各モデルのセクションを参照してください。スイッチ設定はコンバーターの裏面にプリントされていますが、後のアップデートによる新機能で新しい設定が追加されることがあります。常に最新の情報を得るために、同マニュアルの最新バージョンを定期的に確認することをお勧めします。最新バージョンのマニュアルは、Blackmagic Designサポートセンター[www.blackmagicdesign.com/jp/support](http://www.blackmagicdesign.com/jp/support) でダウンロードできます。



設定を変更する際は、ペンを使用してスイッチを切り替えます。

## Blackmagic Converters Setupを使用して設定を変更

Blackmagic Converters Setupをコンピューターにインストールしたら、コンピューターとBlackmagicコンバーターをUSBで接続します。



Blackmagic Converters Setup Utilityを使用すれば、コンバーターの内部ソフトウェアのアップデートや設定の調整を、Mac OS XまたはWindowsコンピューターで実行できます。

ソフトウェアを起動すると、最初に表示されるのがホームスクリーンです。複数のコンバーターをコンピューターに接続している場合、Blackmagic Converters Setupホームページの左右にある矢印アイコンをクリックして使用したいコンバーターを選択します。

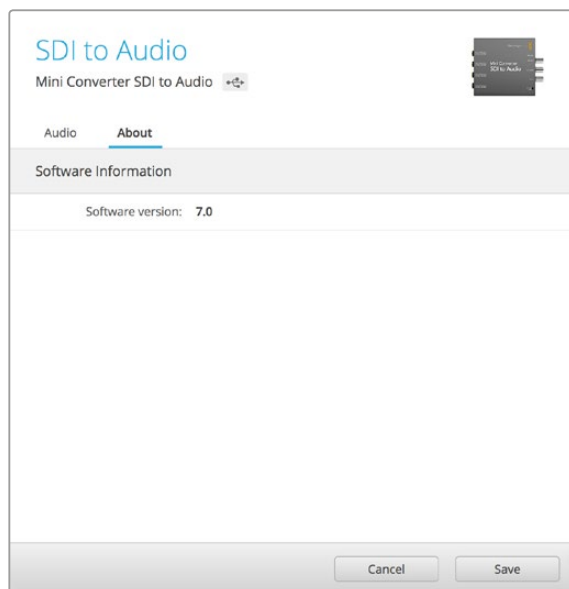
設定を変更するには、Blackmagic Converterのイメージの下にある設定アイコンをクリックします。設定を変更すると、新しい設定はすぐにコンバーターに保存されます。保存された設定は電源を切っても維持され、もう一度電源を入れると再度その設定で構成されます。

ほとんどの設定は内蔵スイッチを使って設定できますが、アナログビデオおよびオーディオレベルの調整など、セットアップソフトウェアからしか設定できない設定もあります。

**作業のこつ** Teranex Mini Convertersは12G-SDIコンバーターで、4K DCI 60pまでの多くのビデオフォーマットをサポートします。Blackmagic Teranex Setup Utilityを使った設定変更など、Teranex Mini Converterの使い方に関する情報を知りたい場合はTeranex Mini Convertersマニュアルを参照してください。最新のマニュアルは、Blackmagic Designサポートセンター ([www.blackmagicdesign.com/jp/support](http://www.blackmagicdesign.com/jp/support)) でダウンロードできます。

## Aboutタブ

Blackmagic Converters Setupの「About」タブは、すべてのコンバーターモデルに共通しています。このタブの設定を使用してBlackmagic Converterに名前を付けられます。「Name」テキストボックスをクリックしてコンバーターに付けたい名前を入力し、「Save」を押して変更を保存します。



Blackmagic Converters Setupの「About」タブでは、Blackmagicコンバーターの名前付けが可能です。またソフトウェアのバージョンも確認できます。

「About」タブの「Software Information」メニューには、Blackmagicコンバーターで使用しているソフトウェアのバージョンが表示されます。コンバーターの内部ソフトウェアがBlackmagic Converters Setupソフトウェアと一緒にインストールされたバージョンより古い場合は、アップデートボタンが表示されます。このボタンでコンバーターのソフトウェアを最新の状態にアップデートできます。

## Blackmagic Converterモデル

Blackmagicコンバーターは、あらゆる条件に対応した変換ソリューションを提供します。例えば、Mini Converterシリーズは頑丈で軽量なのでビデオ機器やビデオトレイなどにマウントでき、超堅牢なBattery Converterは充電式の内蔵バッテリーに対応しているため、電源内蔵でポータブルに使用できます。Blackmagic Mini Converterは、超小型のSDI to HDMI、HDMI to SDIモデルでUSB経由で給電できるため、モニターやラップトップコンピューターとの使用に最適です。

以下のページでは各Blackmagicコンバーター、スイッチ設定、セットアップソフトウェア設定について説明します。

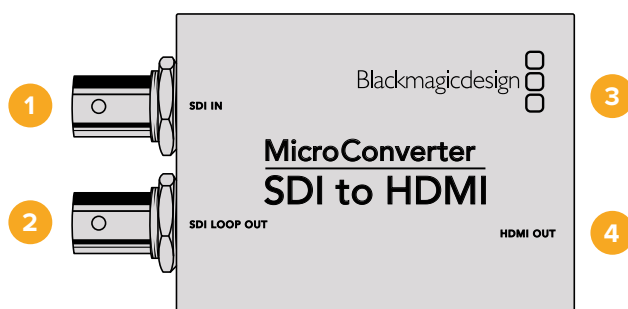
## Teranex Mini Converters

Blackmagic Teranex Mini Convertersは12G-SDIコンバーターで、4K DCI 60pまでのビデオフォーマットをサポートします。同シリーズのコンバーターは、LCD、ボタン、回転ノブを搭載したオプションのTeranex Mini Smart Panelを使ってコントロールでき、イーサネット経由で給電できます。Blackmagic Teranex Setup Utilityを使った設定変更など、Teranex Mini Converterに関する情報を知りたい場合はTeranex Mini Convertersマニュアルを参照してください。マニュアルはBlackmagic Designサポートセンター [www.blackmagicdesign.com/jp/support](http://www.blackmagicdesign.com/jp/support) でダウンロードできます。

# Blackmagic Micro Converters

## Micro Converter SDI to HDMI

Micro Converter SDI to HDMIを使用すれば、広範な種類のHDMIディスプレイやビデオプロジェクターを、SDIベースの機器に接続できます。Micro Converter SDI to HDMIは、SD/HD/3G-SDIを自動的に検出し、エンベデッドオーディオの付いたHDMIに変換します。超小型の放送局品質コンバーターは、堅牢なアルミ製筐体に保護されており、USB経由で給電できます。つまり、ラップトップやテレビのUSBコネクタから標準のマイクロUSBケーブル経由でBlackmagic Micro Converterに給電できるのです。マイクロUSBケーブルは、携帯電話と充電器やラップトップの接続に使用されています。これらのケーブルを持っていれば同じケーブルを使用できます。ケーブルのUSBコネクタタイプが異なっている場合は、ほとんどの電器店で適切なケーブルを購入できます。



## 接続

- 1 SDI入力 (SDI IN)**  
SDIビデオ入力用のBNCコネクタ。
- 2 SDIループ (SDI LOOP OUT)**  
SDI入力BNCコネクタからのループスルー出力。
- 3 マイクロUSB/電源**  
同梱のアダプター、あるいはラップトップやテレビなど、標準USB経由でマイクロUSBケーブルに5Vを供給できるあらゆるデバイスから給電可能。また、Mac OS XあるいはWindowsコンピュータでBlackmagic Converters Setupソフトウェアに接続。
- 4 HDMI出力 (HDMI OUT)**  
HDMIビデオ出力 (タイプA)。

## Blackmagic Converters Setup設定

Blackmagic Converters Setup Utilityを使用すれば、設定の変更およびMicro Converterソフトウェアのアップデートが可能です。「Video」、「About」タブを切り替えることで、これらの設定にアクセスできます。

「About」タブに関する詳細は、同マニュアルの「設定の変更」セクションに記載されています。

Micro Converter SDI to HDMIの「Video」タブには以下の設定が含まれます。

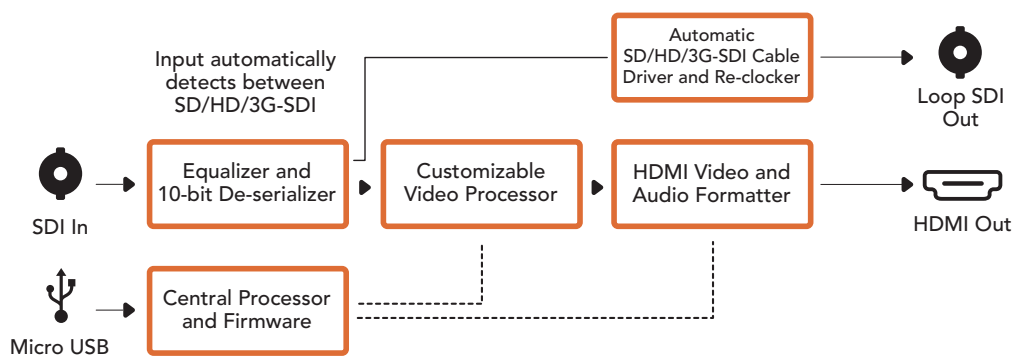


「Clip video output to legal levels」の設定はデフォルトでチェックされています。同設定により、HDMI出力がSDI入力に完全に対応します。

### 処理メニュー (Processing)

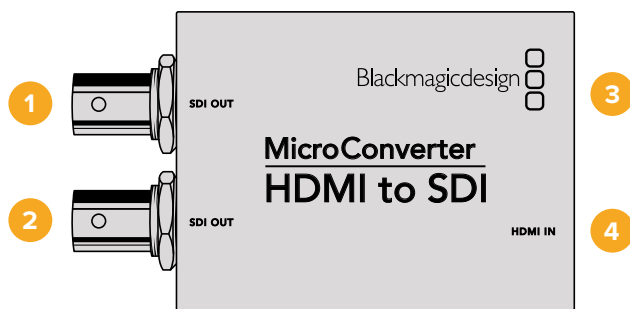
「Clip video output to legal levels」チェックボックスは、SDI入力のクリッピングをコントロールし、HDMI出力の信号を規定レベル内に収めます。このチェックボックスは常にオンにしておくことをお勧めします。

### Micro Converter SDI to HDMI ブロック図



### Micro Converter HDMI to SDI

Micro Converter HDMI to SDIを使用して、HDVカメラ、ゲーム機などのデバイスのHDMI出力をSDIに変換できます。HDMIのビデオ信号を最長のSDIケーブルで送信できるため、HDMI出力を搭載するコンピューターにSDI出力を追加できます。超小型の放送局品質コンバーターは、堅牢なアルミ製筐体に保護されており、USB経由で給電できます。つまり、ラップトップやテレビのUSBコネクタから標準のマイクロUSBケーブル経由でBlackmagic Micro Converterに給電できるのです。マイクロUSBケーブルは、携帯電話と充電器やラップトップの接続に使用されています。これらのケーブルを持っていれば同じケーブルを使用できます。ケーブルのUSBコネクタタイプが異なっている場合は、ほとんどの電器店で適切なケーブルを購入できます。

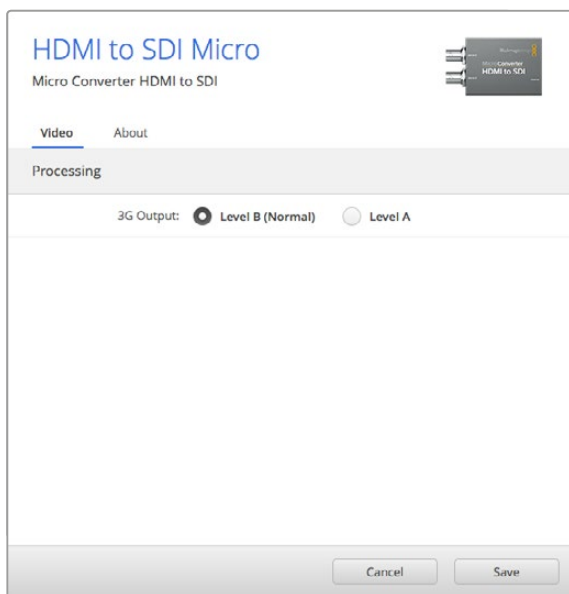


## 接続

- 1 **SDI出力 (SDI OUT)**  
SDIビデオ出力用のBNCコネクター。
- 2 **SDI出力 (SDI OUT)**  
2つめのSDI出力。
- 3 **マイクロUSB/電源**  
同梱のアダプター、あるいはラップトップやテレビなど、標準USB経由でマイクロUSBケーブルに5Vを供給できるあらゆるデバイスから給電可能。また、Mac OS XあるいはWindowsコンピュータでBlackmagic Converters Setupソフトウェアに接続してMicro Converterの内部ソフトウェアをアップデート。
- 4 **HDMI入力 (HDMI IN)**  
HDMIタイプAビデオ入力。

## Blackmagic Converters Setup設定

Blackmagic Converters Setup Utilityを使用すれば、設定の変更およびMicro Converterソフトウェアのアップデートが可能です。「Video」、「Audio」、「About」タブを切り替えることで、これらの設定にアクセスできます。



Blackmagic Converters Setupの「Video」タブでSDIレベルを切り替え

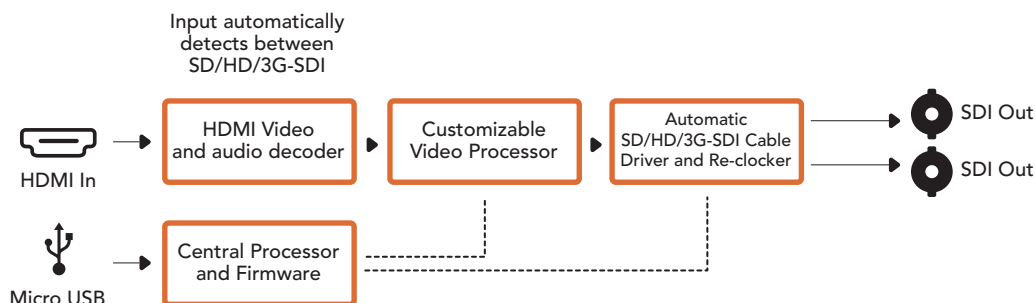
「About」タブに関する詳細は、同マニュアルの「設定の変更」セクションに記載されています。  
Micro Converter HDMI to SDIの「Video」タブには以下の設定が含まれます。



## 処理メニュー (Processing)

「3G出力」メニューでLevel A、Level B 3G-SDIを選択できます。同設定は、3G-SDI出力を切り替えて、Level AあるいはLevel Bの3G-SDIビデオのみを受診する機器との互換性を保ちます。デフォルト設定はLevel Bになっています。

## Micro Converter HDMI to SDI ブロック図



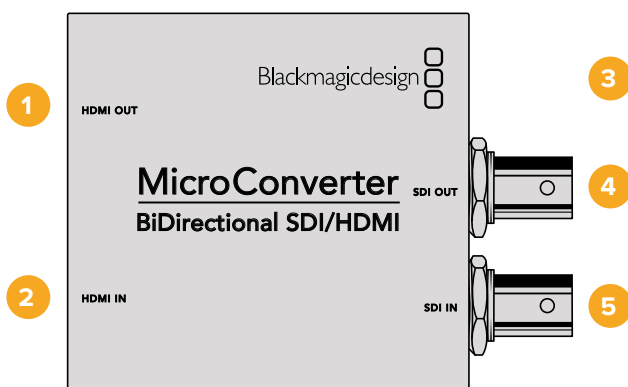
## Micro Converter BiDirectional SDI/HDMI

Micro Converter BiDirectional SDI/HDMIは、SD/HDビデオを、HDMIからSDI、SDIからHDMIに同時に変換でき、エンベデッドオーディオにも対応します。例えば、HDVカメラのHDMI出力を長距離送信できるようSDIに変換し、それと同時に、SDIリターンフィードをHDMIテレビに接続できるようHDMIに変換できます。

入力を1系統のみ接続している場合、SDI/HDMI出力はどちらもループ出力になるので、入力信号を他のHDMI/SDI機器に送信できます。

Micro Converter BiDirectional SDI/HDMIは、SD/HD/3G-SDI入力フォーマットを自動検出し、出力フォーマットをマッチングします。

この放送品質の小型コンバーターは、堅牢なアルミ製の筐体に保護されており、USB経由で給電できます。つまり、ラップトップやテレビのUSBコネクターから標準のマイクロUSBケーブル経由でBlackmagic Micro Converter BiDirectional SDI/HDMIに給電できるのです。マイクロUSBケーブルは、携帯電話と充電器やラップトップの接続に使用されています。これらのケーブルを持っていれば同じケーブルを使用できます。ケーブルのUSBコネクターの種類が異なっている場合は、大抵の電器店で適切なケーブルを購入できます。





## 接続

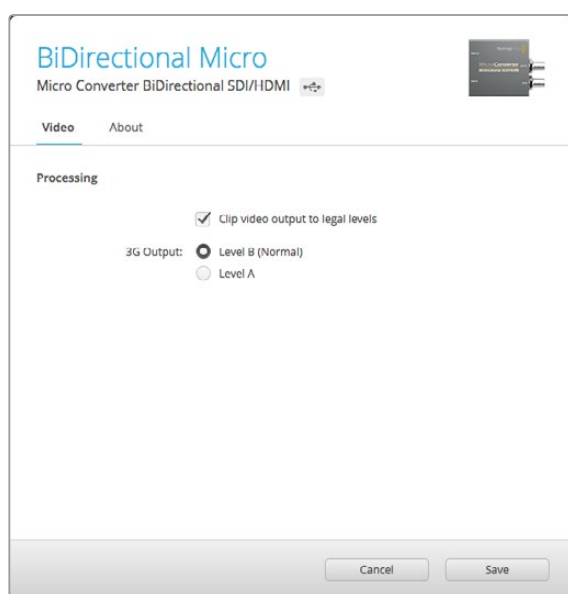
- 1 HDMI出力 (HDMI OUT)**  
HDMIビデオ出力 (タイプA)。
- 2 HDMI入力 (HDMI IN)**  
HDMIビデオ入力 (タイプA)。
- 3 マイクロUSB/電源**  
ラップトップやテレビなど、5V以上の供給が可能なデバイスから、標準のマイクロUSB経由で5V電源を供給。また、Mac OS XあるいはWindowsコンピュータでBlackmagic Converters Setupソフトウェアに接続。
- 4 SDI出力 (SDI OUT)**  
SDIビデオ出力用のBNCコネクタ。
- 5 SDI入力 (SDI IN)**  
SDIビデオ入力用のBNCコネクタ。

## Blackmagic Converters Setup設定

Blackmagic Converters Setup Utilityを使用すれば、設定の変更およびMicro Converterソフトウェアのアップデートが可能です。「Video」、「About」タブを切り替えることで、これらの設定にアクセスできます。

「About」タブに関する詳細は、このマニュアルの「設定の変更」セクションに記載されています。

Micro Converter BiDirectional SDI/HDMIの「Video」タブには以下の設定が含まれます。



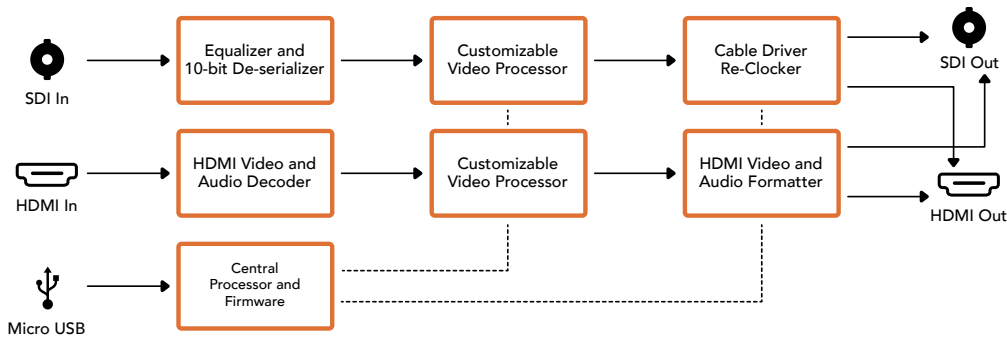
「ビデオ出力を適正レベルにクリッピング (Clip video output to legal levels)」の設定はデフォルトでオンになっています。同設定により、HDMI出力がSDI入力に完全に対応します。

### 処理メニュー (Processing)

「Clip video output to legal levels」チェックボックスは、SDI入力のクリッピングをコントロールし、HDMI出力の信号を規定レベル内に収めます。このチェックボックスは常にオンにしておくことをお勧めします。

「3G Output」設定でLevel A、Level B 3G-SDIを選択できます。同設定で3G-SDI出力を変更して、Level AあるいはLevel Bの3G-SDIビデオのみを受信する機器との互換性を保ちます。デフォルト設定はLevel Bです。

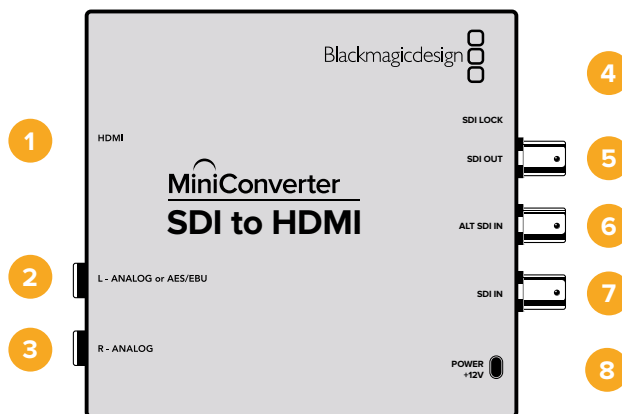
## Micro Converter BiDirectional SDI/HDMI ブロック図



# Blackmagic Mini Converters

## Mini Converter SDI to HDMI

Mini Converter SDI to HDMIを使用すれば、広範な種類のHDMIディスプレイやビデオプロジェクターを、SDIベースの機器に接続できます。Mini Converter SDI to HDMIは、SD/HD/3G-SDIを自動的に検出し、エンベデッドオーディオの付いたHDMI、バランスAES/EBUあるいはアナログオーディオ出力に変換します。



## 接続

- 1 **HDMI**  
HDMIビデオ出力 (タイプA)。
- 2 **L - アナログ、AES/EBU (L - ANALOG or AES/EBU)**  
左チャンネルのバランスアナログオーディオ、あるいはAES/EBUデジタルオーディオ出力の1/4インチジャックコネクタ。
- 3 **R - アナログ (R - ANALOG)**  
右チャンネルのバランスアナログオーディオ出力の 1/4インチジャックコネクタ。
- 4 **MINI-B USBポート**  
Mac OS XあるいはWindowsコンピュータでConverters Setupソフトウェアに接続。USBポートを使ってMini Converterの内部ソフトウェアアップデートも可能です。
- 5 **SDI出力 (SDI OUT)**  
SDIビデオ出力用のBNCコネクタ。

- 6 代替SDI入力 (ALT SDI IN)  
バックアップオプション用のリダンダントSDI入力。
- 7 SDI入力 (SDI IN)  
主要SDI入力。
- 8 電源 +12V (POWER +12V)  
12ボルトの電源入力。

## スイッチ

### スイッチ 8 - アナログオーディオ、AES/EBUオーディオ

スイッチ 8をOFFにするとバランスアナログオーディオ、ONにするとデジタルAES/EBUオーディオ出力が選択されます。

### スイッチ 4 - SDIオーディオのデエンベッド Bit 2

スイッチ 4、3、2はグループ化されており、ON/OFFで8パターンのコンビネーションを設定できます。この8パターンのコンビネーションで、選択した8つのオーディオチャンネル・ペアを、SDI入力からデエンベッドしてHDMI、アナログ、AES/EBUオーディオに出力できます。

### スイッチ 3 - SDIオーディオのデエンベッド Bit 1

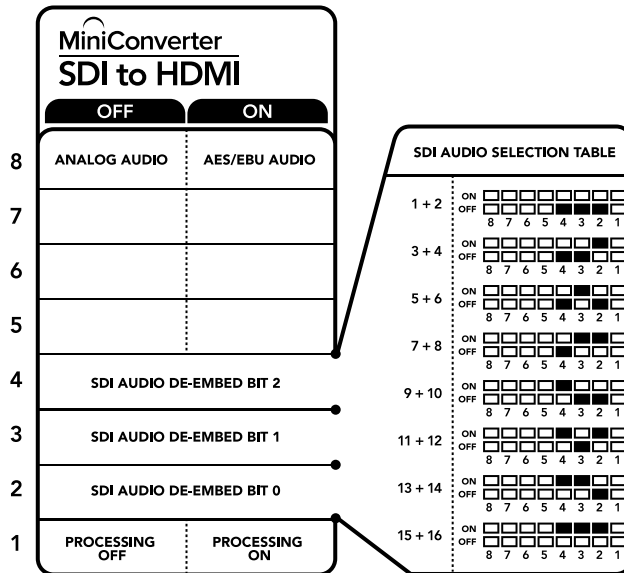
スイッチ 4の説明を参照してください。

### スイッチ 2 - SDIオーディオのデエンベッド Bit 0

スイッチ 4の説明を参照してください。

### スイッチ 1 - 処理OFF - 処理ON

このスイッチは使用されていません。



コンバーターの底に、コンバージョン設定を変更するのに必要な情報が記載されています。

## スイッチ設定の例

Blackmagic Mini Converterのスイッチ8、4、3、2をOFFにすることで、SDIオーディオチャンネル1、2をデエンベッドし、アナログを出力する設定になるか試してみてください。

## SDIオーディオ選択表

オーディオチャンネル	スイッチ 4	スイッチ 3	スイッチ 2	スイッチダイアグラム
1および2	OFF	OFF	OFF	ON OFF 
3および4	OFF	OFF	ON	ON OFF 
5および6	OFF	ON	OFF	ON OFF 
7および8	OFF	ON	ON	ON OFF 
9および10	ON	OFF	OFF	ON OFF 
11および12	ON	OFF	ON	ON OFF 
13および14	ON	ON	OFF	ON OFF 
15および16	ON	ON	ON	ON OFF 

## Blackmagic Converters Setup設定

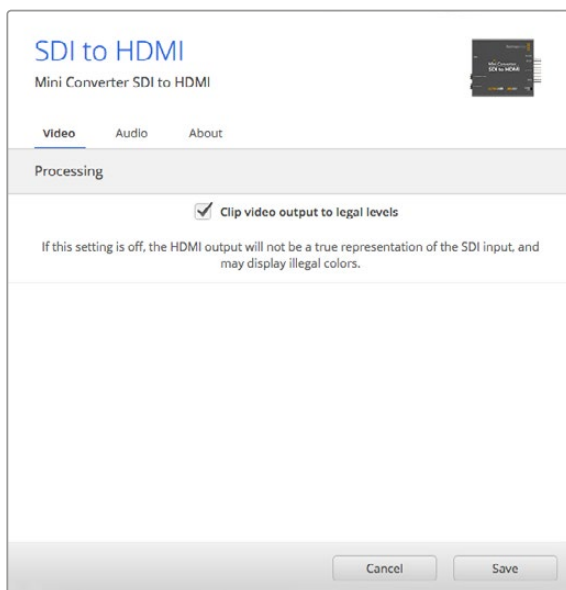
Converters Setup Utilityを使って設定の変更や、Mini Converterソフトウェアのアップデートができます。「Video」、「Audio」、「About」タブを切り替えることで、これらの設定にアクセスできます。

「About」タブに関する詳細は、同マニュアルの「設定の変更」セクションに記載されています。

Mini Converter SDI to HDMIの「Video」タブには以下の設定が含まれます。

### 処理メニュー (Processing)

「Clip video output to legal levels」チェックボックスは、SDI入力のクリッピングをコントロールし、HDMI出力の信号を規定レベル内に収めます。このチェックボックスは常にオンにしておくことをお勧めします。

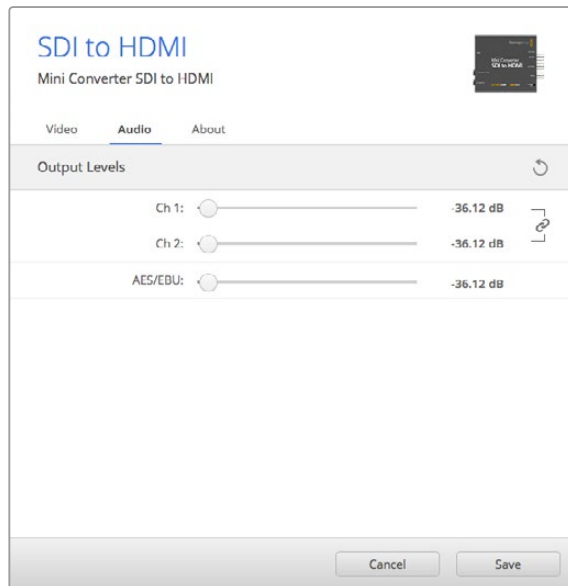


「Clip video output to legal levels」チェックボックスは、デフォルトで有効になっています。これにより、HDMIビデオ出力は常に適正レベルに保たれます。

Mini Converter SDI to HDMIの「Audio」タブには以下の設定が含まれます。

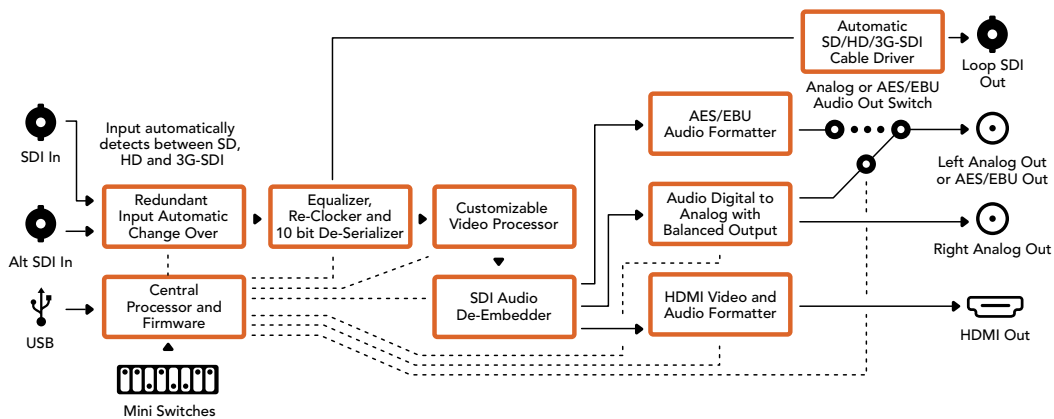
## 出力レベルメニュー (Output Levels)

同メニューではオーディオ出力のゲインを調整できます。オーディオレベルの調整は、各チャンネルごとに行うことも、スライダー横のリンクアイコンをクリックして同時に行うこともできます。すべてのオーディオレベルを0dBにリセットするには、出力レベルメニューの上部にあるリセットボタンをクリックしてください。



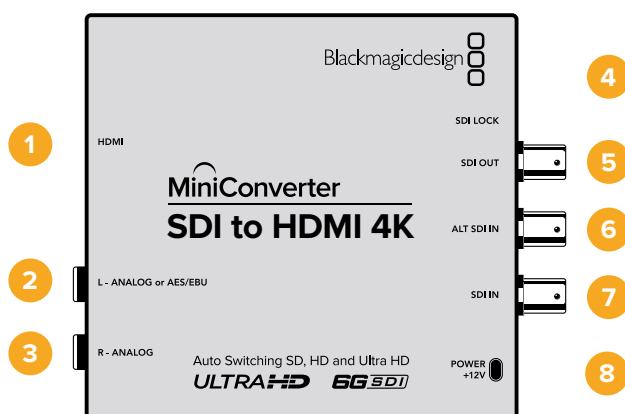
Converters Setupの「Audio」タブでオーディオレベルを調整します。

## Mini Converter SDI to HDMI ブロック図



## Mini Converter SDI to HDMI 4K

Mini Converter SDI to HDMI 4KおよびSDI to HDMI 4K Heavy Dutyモデルを使用すれば、広範な種類のHDMIディスプレイやビデオプロジェクターを、SDIベースの機器に接続できます。Mini Converter SDI to HDMI 4Kは、SD/HD/3G/6G-SDIを自動的に検出し、エンベデッドオーディオの付いたHDMI、バランスAES/EBUあるいはアナログオーディオ出力に変換します。HDMIインスタントロック機能はHDMI出力をロックするため、同じフォーマットのソースの切り替えがクリーンで問題が発生しません。HDMI出力にHDモニター/テレビが接続された状態でUltra HDソースがSDIに入力されると、入力されたUltra HDソースは自動的にダウンコンバートされるため、Ultra HDソースの内容をHDモニターで確認できます。



## 接続

- 1 **HDMI**  
HDMIビデオ出力 (タイプA)。
- 2 **L - アナログ、AES/EBU (L - ANALOG or AES/EBU)**  
左チャンネルのバランスアナログオーディオ、あるいはAES/EBUデジタルオーディオ出力の1/4インチジャックコネクタ。
- 3 **R - アナログ (R - ANALOG)**  
右チャンネルのバランスアナログオーディオ出力の1/4インチジャックコネクタ。
- 4 **MINI-B USBポート**  
Mac OS XあるいはWindowsコンピューターでConverters Setupソフトウェアに接続。USBポートを使ってMini Converterの内部ソフトウェアアップデートも可能です。
- 5 **SDI出力 (SDI OUT)**  
SDIビデオ出力用のBNCコネクタ。
- 6 **代替SDI入力 (ALT SDI IN)**  
バックアップオプション用のリダンダントSDI入力。
- 7 **SDI入力 (SDI IN)**  
主要SDI入力。
- 8 **電源 +12V (POWER +12V)**  
12ボルトの電源入力。

## スイッチ

**作業のこつ** Mini Converter Heavy Dutyモデルでは、スイッチはゴム製のダストカバーで保護されています。カバーの端を上げるとスイッチを使用できます。

Mini Converter SDI to HDMI 4Kのスイッチは、以下の設定が可能です：

### スイッチ 8 - アナログオーディオ、AES/EBUオーディオ

スイッチ 8をOFFにするとバランスアナログオーディオ、ONにするとデジタルAES/EBUオーディオ出力が選択されます。

### スイッチ 4 - SDIオーディオのデエンベッド Bit 2

スイッチ 4、3、2はグループ化されており、ON/OFFで8パターンのコンビネーションを設定できます。この8パターンのコンビネーションで選択した8つのオーディオチャンネル・ペアを、SDI入力からデエンベッドしてHDMI、アナログ、AES/EBUオーディオに出力できます。

### スイッチ 3 - SDIオーディオのデエンベッド Bit 1

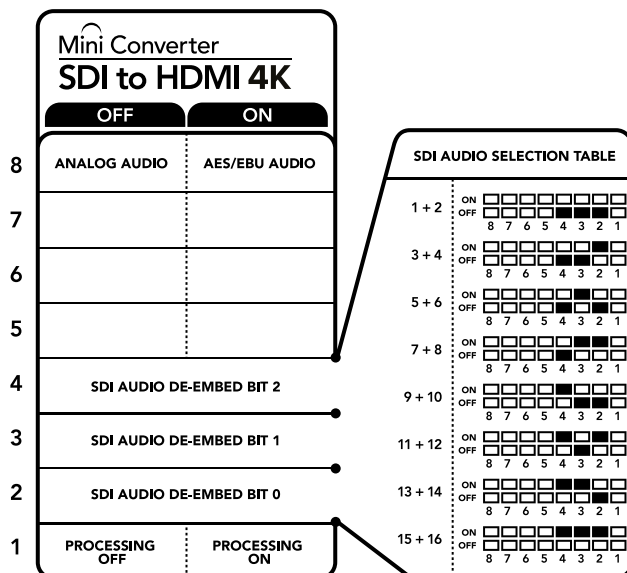
スイッチ 4の説明を参照してください。

### スイッチ 2 - SDIオーディオのデエンベッド Bit 0

スイッチ 4の説明を参照してください。

### スイッチ 1 - 処理OFF - 処理ON

このスイッチは使用されていません。



コンバーターの底に、コンバージョン設定を変更するのに必要な情報が記載されています。

## スイッチ設定の例

Blackmagic Mini Converterのスイッチ8、4、3、2をOFFにすることで、SDIオーディオチャンネル1、2をデエンベッドし、アナログを出力する設定になるか試してみてください。

## SDIオーディオ選択表

オーディオチャンネル	スイッチ 4	スイッチ 3	スイッチ 2	スイッチダイアグラム
1および2	OFF	OFF	OFF	ON OFF <input type="checkbox"/> <input type="checkbox"/> <input type="checkbox"/> <input type="checkbox"/> <input type="checkbox"/> <input type="checkbox"/> <input type="checkbox"/> <input type="checkbox"/> 8 7 6 5 4 3 2 1
3および4	OFF	OFF	ON	ON OFF <input type="checkbox"/> <input type="checkbox"/> <input type="checkbox"/> <input type="checkbox"/> <input type="checkbox"/> <input type="checkbox"/> <input type="checkbox"/> <input type="checkbox"/> 8 7 6 5 4 3 2 1
5および6	OFF	ON	OFF	ON OFF <input type="checkbox"/> <input type="checkbox"/> <input type="checkbox"/> <input type="checkbox"/> <input type="checkbox"/> <input type="checkbox"/> <input type="checkbox"/> <input type="checkbox"/> 8 7 6 5 4 3 2 1
7および8	OFF	ON	ON	ON OFF <input type="checkbox"/> <input type="checkbox"/> <input type="checkbox"/> <input type="checkbox"/> <input type="checkbox"/> <input type="checkbox"/> <input type="checkbox"/> <input type="checkbox"/> 8 7 6 5 4 3 2 1
9および10	ON	OFF	OFF	ON OFF <input type="checkbox"/> <input type="checkbox"/> <input type="checkbox"/> <input type="checkbox"/> <input type="checkbox"/> <input type="checkbox"/> <input type="checkbox"/> <input type="checkbox"/> 8 7 6 5 4 3 2 1
11および12	ON	OFF	ON	ON OFF <input type="checkbox"/> <input type="checkbox"/> <input type="checkbox"/> <input type="checkbox"/> <input type="checkbox"/> <input type="checkbox"/> <input type="checkbox"/> <input type="checkbox"/> 8 7 6 5 4 3 2 1
13および14	ON	ON	OFF	ON OFF <input type="checkbox"/> <input type="checkbox"/> <input type="checkbox"/> <input type="checkbox"/> <input type="checkbox"/> <input type="checkbox"/> <input type="checkbox"/> <input type="checkbox"/> 8 7 6 5 4 3 2 1
15および16	ON	ON	ON	ON OFF <input type="checkbox"/> <input type="checkbox"/> <input type="checkbox"/> <input type="checkbox"/> <input type="checkbox"/> <input type="checkbox"/> <input type="checkbox"/> <input type="checkbox"/> 8 7 6 5 4 3 2 1

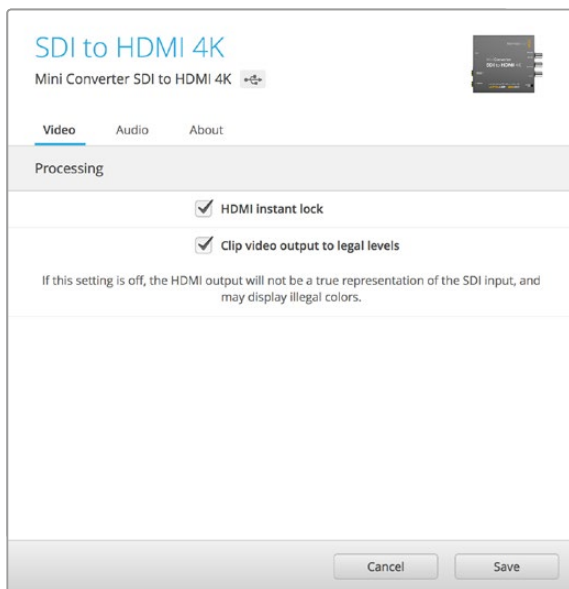
## Blackmagic Converters Setup設定

Converters Setup Utilityを使って設定の変更や、Mini Converterソフトウェアのアップデートができます。

「Video」、「Audio」、「About」タブを切り替えることで、これらの設定にアクセスできます。

「About」タブに関する詳細は、同マニュアルの「設定の変更」セクションに記載されています。

Mini Converter SDI to HDMI4Kの「Video」タブには以下の設定が含まれます。



「Clip video output to legal levels」チェックボックスは、デフォルトで有効になっています。これにより、HDMIビデオ出力は常に適正レベルに保たれます。

### 処理メニュー (Processing)

#### ・ HDMIインスタントロック (HDMI Instant Lock)

このチェックボックスを選択すると、HDMIインスタントロック機能が有効になります。HDMIインスタントロック機能を有効にすると、ソースが切り替わる際にもHDMI出力信号がアクティブのままになります。HDMI信号がロックされることで、コンバーターは、HDMIテレビ/モニターがビデオ出力を表示する前にロックするのを待つ必要がなくなります。この機能は、同じビデオフォーマットを使用するソースの切り替え時にのみ有効であることに注意してください。

HDMIインスタントロック機能はビデオとオーディオにわずかな遅れを生じさせる場合があります。変換後の出力の遅れをゼロにする必要がある場合は、チェックボックスの選択を外してHDMIインスタントロック機能を回避してください。

#### ・ ビデオ出力を適正レベルにクリップ (Clip video output to legal levels)

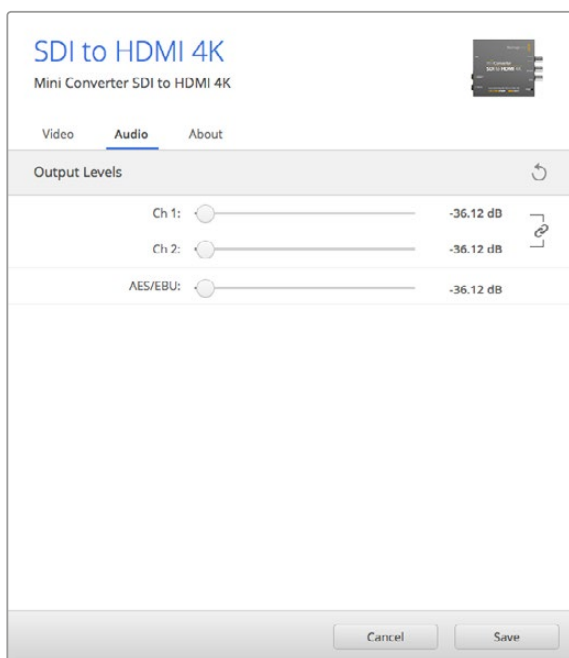
SDI入力のクリッピングをコントロールし、HDMI出力の信号を規定レベル内に収めます。このチェックボックスは常にオンにしておくことをお勧めします。

### 出力レベルメニュー (Output Levels)

同メニューではオーディオ出力のゲインを調整できます。オーディオレベルの調整は、各チャンネルごとに行うことも、スライダー横のリンクアイコンをクリックして同時に行うこともできます。すべてのオーディオレベルを0dBにリセットするには、出力レベルメニューの上部にあるリセットボタンをクリックしてください。

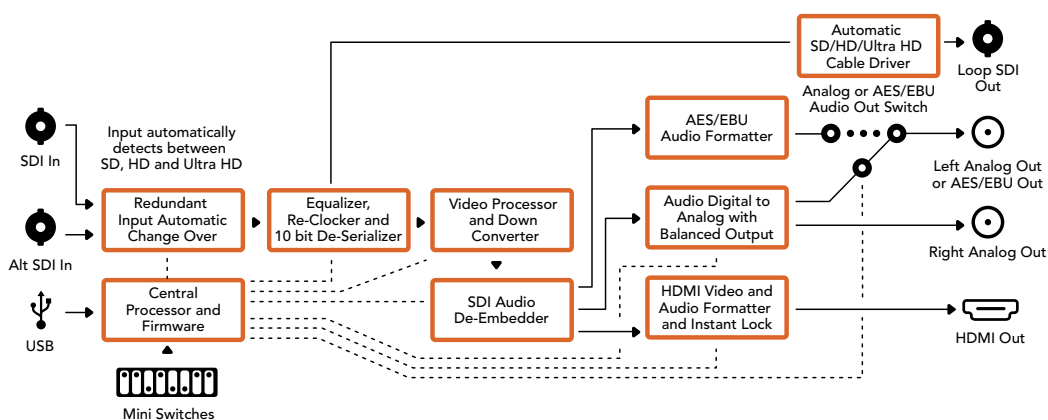
Mini Converter SDI to HDMI 4Kの「Audio」タブには以下の設定が含まれます。





Converters Setupの「Audio」タブでオーディオレベルを調整します。

## Mini Converter SDI to HDMI 4Kブロック図

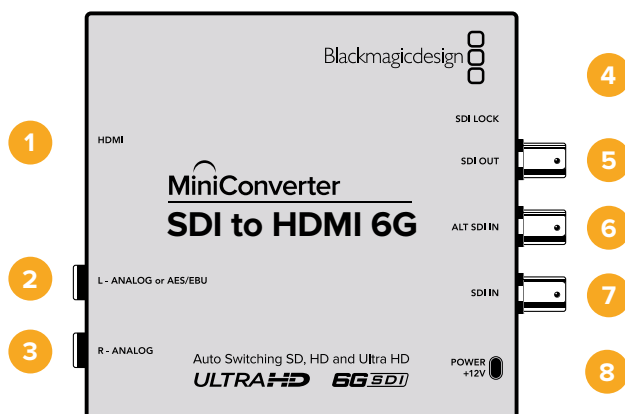


## Mini Converter SDI to HDMI 6G

Mini Converter SDI to HDMI 6Gを使用すれば、広範な種類のHDMIディスプレイやビデオプロジェクターを、SDIベースの機器に接続できます。Mini Converter SDI to HDMI 6Gは、SD-SDI、HD-SDI、3G-SDI、6G-SDIの入力ソースを自動的に認識し、HDMIとエンベッドオーディオ、さらにバランスAES/EBUまたはアナログオーディオ出力に変換します。

HDMIインスタントロック機能はHDMI出力をロックするため、同じフォーマットのソースの切り替えがクリーンで問題が発生しません。HDMI出力にHDモニター/テレビが接続された状態でUltra HDソースがSDIに入力されると、入力されたUltra HDソースは自動的にダウンコンバートされるため、Ultra HDソースの内容をHDモニターで確認できます。

また、3D LUTをロードして、変換された出力にルック、グレード、カラープロファイルを追加することも可能です。3D LUTはフル33ポイントのハードウェアLUTで、精度の高いカラー操作を提供します。また、民生用テレビの正確なカラーキャリブレーションにも使用できるため、重要なカラーコレクション作業に有効です。3D LUTでカラースペースを変換することもできるため、異なる複数のカラースペースを様々なディスプレイで使用できます。Mini Converter SDI to HDMI 6Gには、カラーからモノクロ、Blackmagicカメラのデフォルト・カラースペースからREC 709の2種類のデフォルトLUTがあります。



## 接続

- 1 HDMI**  
HDMIビデオ出力 (タイプA)
- 2 L - アナログ、AES/EBU (L - ANALOG or AES/EBU)**  
左チャンネルのバランスアナログオーディオ、あるいはAES/EBUデジタルオーディオ出力用の1/4インチジャックコネクタ。
- 3 R - アナログ (R - ANALOG)**  
右チャンネルのバランスアナログオーディオ出力用の1/4インチジャックコネクタ。
- 4 Mini-B USBポート**  
Mac OS XあるいはWindowsコンピューターでConverters Setupソフトウェアに接続。USBポートを使ってMini Converterの内部ソフトウェアアップデートも可能です。
- 5 SDI出力 (SDI OUT)**  
SDIビデオ出力用のBNCコネクタ。
- 6 代替SDI入力 (ALT SDI IN)**  
バックアップオプション用のリダンダントSDI入力。
- 7 SDI入力 (SDI IN)**  
メインのSDI入力。
- 8 電源+12V (POWER +12V)**  
12ボルトの電源入力。

## スイッチ

Mini Converter SDI to HDMI 6Gのスイッチは、以下の設定が可能です：

### スイッチ 8 - アナログオーディオ、AES/EBUオーディオ

スイッチ 8をオフにするとバランスアナログオーディオ、オンにするとデジタルAES/EBUオーディオ出力が選択されます。

### スイッチ 7 - LUTオフ/LUTオン

スイッチ 7をオフにするとLUTが無効になり、オンにすると有効になります。

### スイッチ 6 - LUT1/LUT2

スイッチ 6をオフにするとLUT1、オンにするとLUT2が選択されます。

### スイッチ 5 - LUTオン、ループオフ/LUTオン、ループオン

スイッチ 5をオフにするとループ出力のLUTが無効になり、オンにすると有効になります。

### スイッチ 4 - SDIオーディオのデエンベッド Bit 2

スイッチ 4、3、2はグループ化されており、オン/オフで8パターンのコンビネーションを設定できます。この8パターンのコンビネーションで、選択した8つのオーディオチャンネル・ペアを、SDI入力からデエンベッドしてHDMI、アナログ、AES/EBUオーディオに出力できます。

### スイッチ 3 - SDIオーディオのデエンベッド Bit 1

スイッチ 4の説明を参照してください。

### スイッチ 2 - SDIオーディオのデエンベッド Bit 0

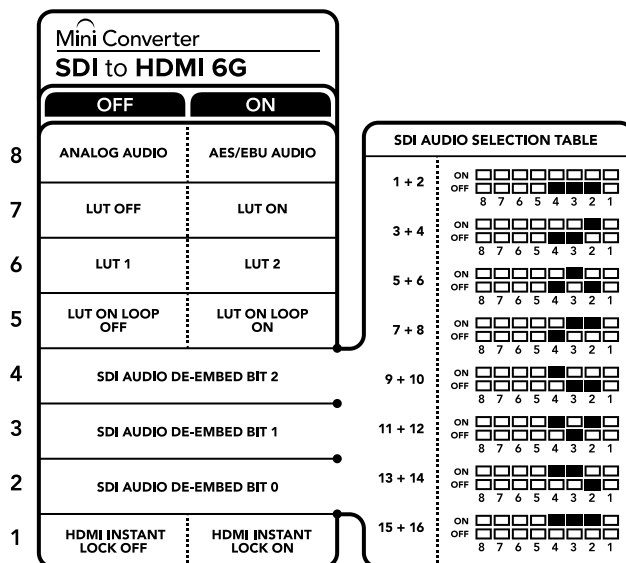
スイッチ 4の説明を参照してください。

### スイッチ 1 - HDMIインスタントロックオフ/HDMIインスタントロックオン

スイッチ 1をオフにするとHDMIインスタントロックオフが選択され、オンにするとHDMIインスタントロックオンが選択されます。

HDMIインスタントロック機能を有効にすると、ソースが切り替わる際もHDMI出力信号がアクティブのままになります。HDMI信号はすでにロックされているため、HDMIテレビ/モニターがビデオ出力を表示する前にロックされるのを待つ必要はありません。この機能は、同じビデオフォーマットを使用するソースの切り替え時にのみ有効であることに注意してください。

HDMIインスタントロック機能はビデオとオーディオにわずかな遅れを生じさせる場合があります。変換後の出力の遅延をゼロにする必要がある場合は、HDMIインスタントロック機能をオフにしてください。



コンバーターの底に、コンバージョン設定を変更するのに必要な情報が記載されています。

## ミニスイッチ設定の例

Blackmagic Mini Converterのスイッチ8、4、3、2をオフにすることで、SDIオーディオチャンネル1、2をデエンベッドし、アナログを出力する設定になるか試してみてください。

## SDIオーディオ選択表

オーディオチャンネル	スイッチ 4	スイッチ 3	スイッチ 2	スイッチダイアグラム
1および2	OFF	OFF	OFF	ON OFF 
3および4	OFF	OFF	ON	ON OFF 
5および6	OFF	ON	OFF	ON OFF 
7および8	OFF	ON	ON	ON OFF 
9および10	ON	OFF	OFF	ON OFF 
11および12	ON	OFF	ON	ON OFF 
13および14	ON	ON	OFF	ON OFF 
15および16	ON	ON	ON	ON OFF 

## Blackmagic Converters Setup設定

Converters Setup Utilityを使って設定の変更や、Mini Converterソフトウェアのアップデートができます。「Video」、「Audio」、「About」タブを切り替えることで、これらの設定にアクセスできます。「About」タブに関する詳細は、同マニュアルの「設定の変更」セクションに記載されています。

Mini Converter SDI to HDMI 6Gの「Video」タブには以下の設定が含まれます。



「ビデオ出力を適正レベルにクリッピング (Clip video output to legal levels)」の設定はデフォルトでオンになっています。これにより、HDMIビデオ出力は常に適正レベルに保たれます。

## 処理メニュー (Processing)

### ・ 33ポイント3D LUT

Mini Converter SDI to HDMI 6Gは、.cube LUTファイルをサポートしています。.cube LUTファイルは、DaVinci Resolveソフトウェアまたはその他の.cubeファイルの書き出しに対応しているカラーコレクション・ソフトウェアで作成できます。

各LUTスロットの「Load」ボタンをクリックして、コンピューター上の.cubeファイルを選択し、さらに「OK」をクリックして、2つのLUTをロードできます。「Save」をクリックして設定を確定します。「Load」ボタンの横にはLUTファイル名が表示されるため、LUT 1およびLUT 2に使用しているLUTを簡単に確認できます。

### ・ 3D LUTとは？

3D LUT (3Dルックアップテーブル) は、映像のカラースペースを3D立方体スペースにおける新しいカラー値の組み合わせに修正する際に使用する値の表が含まれるファイルです。

このカラー立方体には各原色のミックスにおけるすべてのバリエーションが含まれており、それらはx、y、zの3次元で定義されています。3D LUTを使用することで、SDI入力のRGBチャンネルを、HDMI出力で他のあらゆるRGB出力カラーに再マッピングできます。この機能はとてもパワフルで、あらゆるカラーを他のあらゆるカラーにマッピングできます。ディスプレイのキャリブレーションだけでなく、様々なRAWカメラファイルを使用する撮影現場で、リニアガンマで確認するためにディスプレイにLogガンマカーブをロードする際などに、極めて正確なカラー調整が可能です。

3D LUTの優れた特徴を示す例として、デフォルトLUTのひとつに、入力ビデオを白黒に変換できるLUTがあります。この3D LUTは、入力されるすべてのRGBカラーを再マッピングし、HDMI出力で白黒のRGB値として出力します。ユーザーは独自の3D LUTを作成して、管理ソフトウェアでアップロードできます。また、DaVinci Resolveでカラーグレーディング設定を3D LUTに変換し、それらをMini Converter SDI to HDMI 6Gにアップロードすることも可能です。3D LUTはSDIビデオループ出力からも出力できるので、HDMI出力を使用せずに、Mini Converterを3D LUT専用のカラープロセッサとして機能させることもできます！

3D LUTの.cubeファイル作成に関する詳細は、DaVinci Resolveマニュアルを参照してください。DaVinci Resolveマニュアルは、Blackmagic Designのウェブサイト (<https://www.blackmagicdesign.com/jp/support>) からダウンロードできます。

### ・ ビデオ出力を適正レベルにクリッピング (Clip HDMI Output to Legal Levels)

SDI入力のクリッピングをコントロールし、HDMI出力の信号を規定レベル内に収めます。このチェックボックスは常にオンにしておくことをお勧めします。

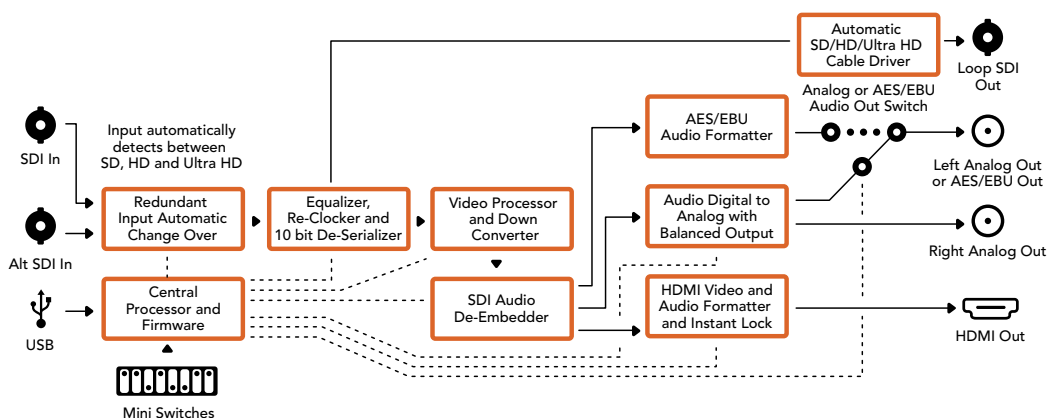
## 出力レベルメニュー (Output Levels)

同メニューではオーディオ出力のゲインを調整できます。オーディオレベルの調整は、チャンネルごとに行うことも、スライダー横のリンクアイコンをクリックして同時に行うこともできます。すべてのオーディオレベルを0dBにリセットするには、出力レベルメニューの上部にあるリセットボタンをクリックしてください。Mini Converter SDI to HDMI 6Gの「Audio」タブには以下の設定が含まれます。



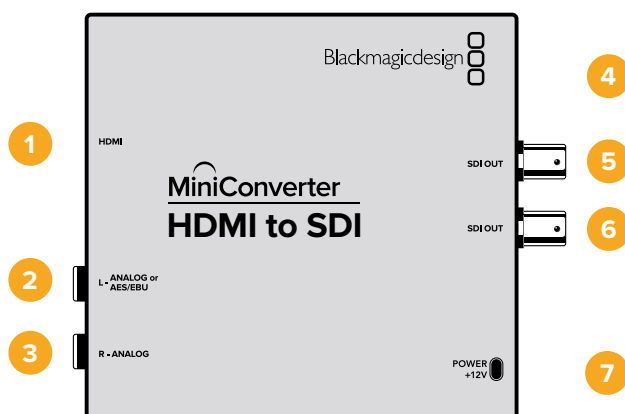
Converters Setupの「Audio」タブでオーディオレベルを調整します。

## Mini Converter SDI to HDMI 6Gブロック図



## Mini Converter HDMI to SDI

Mini Converter HDMI to SDIは、HDVカメラ、ゲーム機などのデバイスからのHDMI出力をSDIに変換できます。オーディオは、HDMI、AES/EBU、バランスアナログオーディオ入力からエンベッドできます。HDMIのビデオ信号を最長のSDIケーブルで送信できるため、HDMI出力を搭載するコンピューターにSDI出力を追加できます。同モデルは、HD-SDダウンコンバーターも搭載しています。



## 接続

- 1 HDMI**  
HDMIビデオ入力 (タイプA)。
- 2 L - アナログ、AES/EBU (L - ANALOG or AES/EBU)**  
左チャンネルのバランスアナログオーディオ、あるいはAES/EBUデジタルオーディオ入力の1/4インチジャックコネクター。
- 3 R - アナログ (R - ANALOG)**  
右チャンネルのバランスアナログオーディオ入力の1/4インチジャックコネクター。
- 4 MINI-B USBポート**  
Mac OS XあるいはWindowsコンピューターでConverters Setupソフトウェアに接続。USBポートを使ってMini Converterの内部ソフトウェアアップデートも可能です。
- 5 SDI出力 (SDI OUT)**  
SDIビデオ出力用のBNCコネクター。
- 6 SDI出力 (SDI OUT)**  
2つめのSDI出力。
- 7 電源 +12V (POWER +12V)**  
12ボルトの電源入力。

## スイッチ

Mini Converter HDMI to SDIのスイッチは、以下の設定が可能です：

### スイッチ 8 - アナログオーディオ、AES/EBUオーディオ

スイッチ 8をOFFにするとバランスアナログオーディオ、ONにするとデジタルAES/EBUオーディオ入力を選択されます。これらの入力を使用するには、スイッチ 7もONにする必要があります。

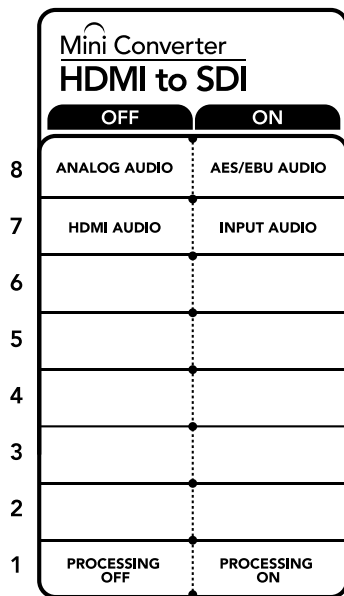
### スイッチ 7 - HDMIオーディオ - 入力オーディオ

スイッチ 7をOFFにするとエンベッドHDMIオーディオが選択され、ONにするとアナログまたはAES/EBUオーディオが選択されます。

### スイッチ 1 - 処理OFF - 処理ON

スイッチ 1を使って3つのタイプのアスペクトレシオのダウンコンバージョンが可能です。ON/OFFを切り替えることでアナモルフィック、センターカット、レターボックスのアスペクトレシオを適用できます。スイッチ1をOFFにするとダウンコンバージョンを回避してHDを出力します。

USB経由でBlackmagic Converters Setupに接続している場合、ダウンコンバージョンの設定をソフトウェアでコントロールできます。ソフトウェア設定をコンバーターで保存したい場合は、コンピューターから外した際にコンバーターの電源を入れ直し、スイッチ1を使ってダウンコンバージョンを設定します。



コンバーターの底に、コンバージョン設定を変更するのに必要な情報が記載されています。

## Blackmagic Converters Setup設定

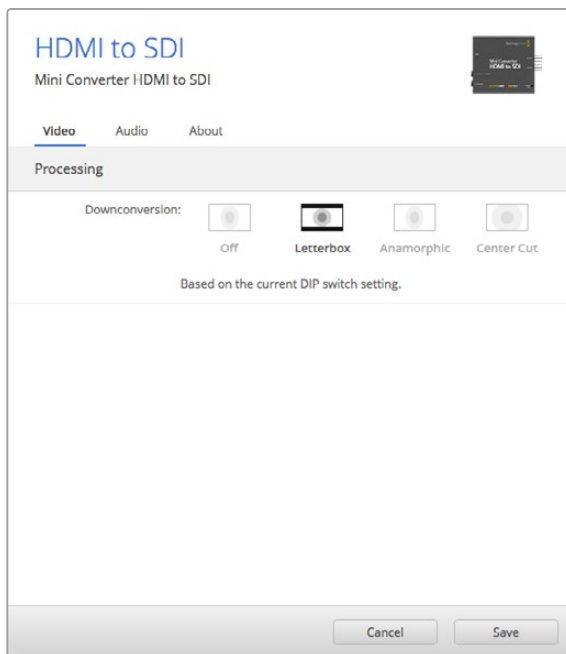
Converters Setup Utilityを使って設定の変更や、Mini Converterソフトウェアのアップデートができます。「Video」、「Audio」、「About」タブを切り替えることで、これらの設定にアクセスできます。

「About」タブに関する詳細は、同マニュアルの「設定の変更」セクションに記載されています。

Mini Converter HDMI to SDIの「Video」タブには以下の設定が含まれます。

### 処理メニュー (Processing)

同メニューはHDからSDにダウンコンバートされるコンテンツのアスペクトレシオを選択できます。選択オプションはレターボックス、アナモルフィック、センターカットあるいはOFFです。



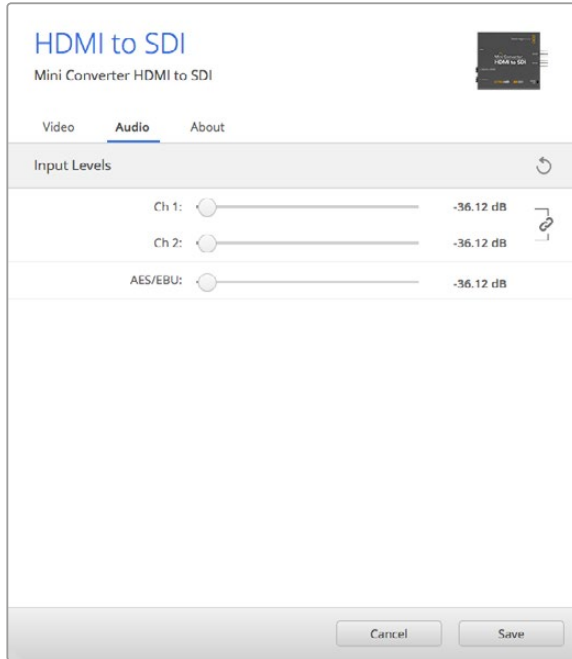
Converters Setupの「Video」タブで処理設定を調整します。



Mini Converter HDMI to SDIの「Audio」タブには以下の設定が含まれます。

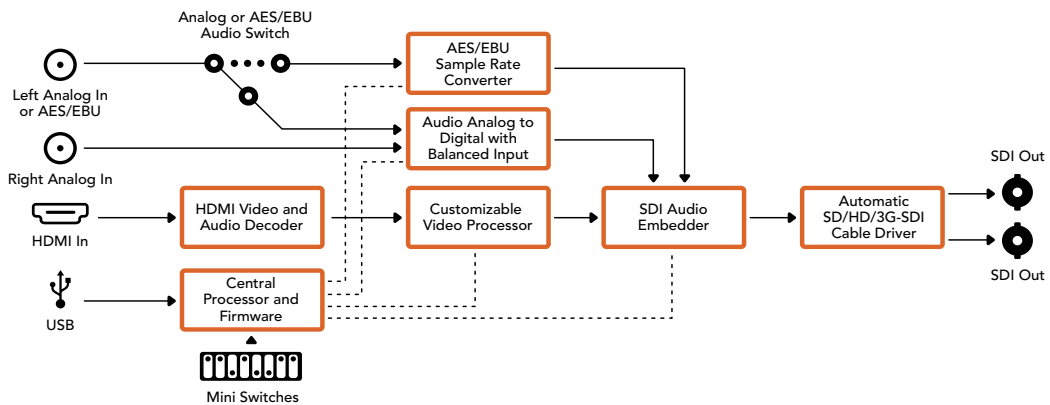
### 入力レベルメニュー (Input Levels)

同メニューではオーディオ入力のゲインを調整できます。オーディオレベルの調整は、各チャンネルごとに行うことも、スライダー横のリンクアイコンをクリックして同時に行うこともできます。すべてのオーディオレベルを0dBにリセットするには、入力レベルメニューの上部にあるリセットボタンをクリックしてください。



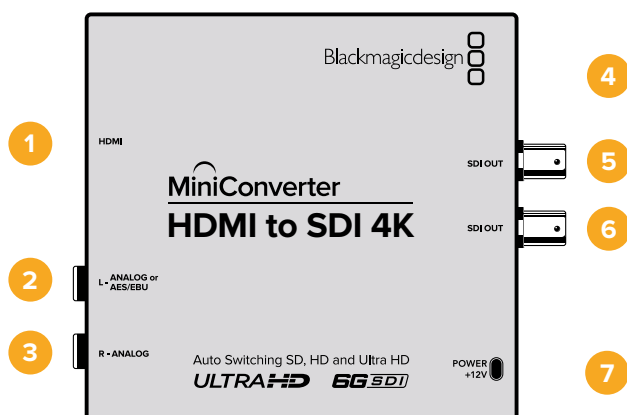
Converters Setupの「Audio」タブでオーディオレベルを調整します。

### Mini Converter HDMI to SDIブロック図



### Mini Converter HDMI to SDI 4K

Mini Converter HDMI to SDI 4KおよびHDMI to SDI 4K Heavy Dutyモデルは、HDVカメラ、ゲーム機などのデバイスからのHDMI出力をSDIに変換します。オーディオは、HDMI、AES/EBU、バランスアナログオーディオ入力からエンベッドできます。HDMIのビデオ信号を最長のSDIケーブルで送信できるため、HDMI出力を搭載するコンピューターにSDI出力を追加できます。



## 接続

- 1 HDMI**  
HDMIビデオ入力 (タイプA)。
- 2 L - アナログ、AES/EBU (L - ANALOG or AES/EBU)**  
左チャンネルのバランスアナログオーディオ、あるいはAES/EBUデジタルオーディオ入力の1/4インチジャックコネクタ。
- 3 R - アナログ (R - ANALOG)**  
右チャンネルのバランスアナログオーディオ入力の1/4インチジャックコネクタ。
- 4 MINI-B USBポート**  
Mac OS XあるいはWindowsコンピューターでConverters Setupソフトウェアに接続。USBポートを使ってMini Converterの内部ソフトウェアアップデートも可能です。
- 5 SDI出力 (SDI OUT)**  
SDIビデオ出力のBNCコネクタ。
- 6 SDI出力 (SDI OUT)**  
2つめのSDI出力。
- 7 電源 +12V (POWER +12V)**  
12ボルトの電源入力。

## スイッチ

**作業のこつ** Mini Converter Heavy Dutyモデルでは、スイッチはゴム製のダストカバーで保護されています。カバーの端を上げるとスイッチを使用できます。

Mini Converter HDMI to SDI 4Kのスイッチは、以下の設定が可能です：

### スイッチ 8 - アナログオーディオ、AES/EBUオーディオ

スイッチ 8をONにするとバランスアナログオーディオ、ONにするとデジタルAES/EBUオーディオ入力を選択されます。これらの入力を使用するには、スイッチ 7もONにする必要があります。

### スイッチ 7 - HDMIオーディオ - 入力オーディオ

スイッチ 7をOFFにするとエンベッドHDMIオーディオが選択され、ONにするとアナログまたはAES/EBUオーディオが選択されます。

### スイッチ 2、1 - フォーマットの選択 BIT 1、0

Ultra HDおよびHDを出力できるHDMIソースを接続する場合は、コンバーターのソース出力をどちらかに強制するよう設定できます。この機能は、コンピューターのデスクトップをSDI機器の大きな画面で確認し、HDで録画/表示したい場合などに便利です。

この設定はアップ/ダウンコンバージョン設定ではありません。この設定では、コンバーターでアップ/ダウンコンバージョンを実行せずにネイティブHD/Ultra HD解像度のソースビデオを出力できるよう、ソース機器にUltra HDあるいはHDを出力するよう伝達します。

スイッチ1と2を組み合わせることで、ソースビデオをHDまたはUltra HDに強制したり、ソース機器の最適な解像度を自動的に割り出したりなどの設定が可能です。

以下はスイッチ1と2を組み合わせた設定です。

#### AUTO - スイッチ 1と2が両方ともOFF

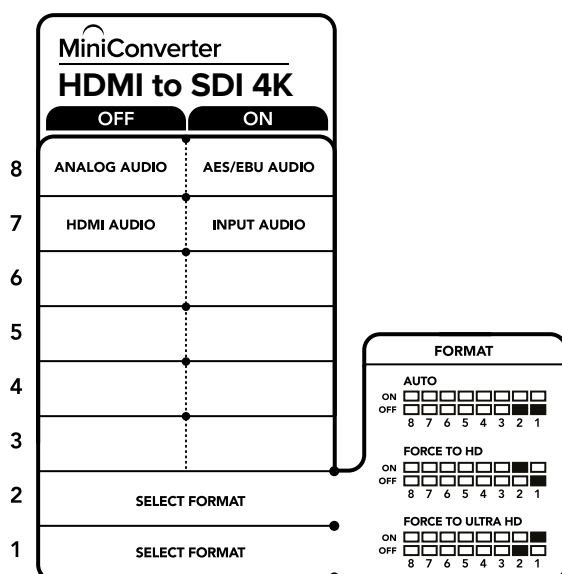
コンバーターがソース機器の出力機能を確認し、HDまたはUltra HDから最適な解像度を決定します。

#### FORCE TO HD - スイッチ 1がOFF、スイッチ 2がON

HDMIソース機器がHDおよびUltra HDの出力に対応している場合、HDビデオを出力するようソース機器に伝達します。

#### FORCE TO ULTRA HD - スイッチ 1がON、スイッチ 2がOFF

HDMIソース機器がHDおよびUltra HDの出力に対応している場合、Ultra HDビデオを出力するようソース機器に伝達します。



コンバーターの底に、コンバージョン設定を変更するのに必要な情報が記載されています。

## Blackmagic Converters Setup設定

Converters Setup Utilityを使って設定の変更や、Mini Converterソフトウェアのアップデートができます。

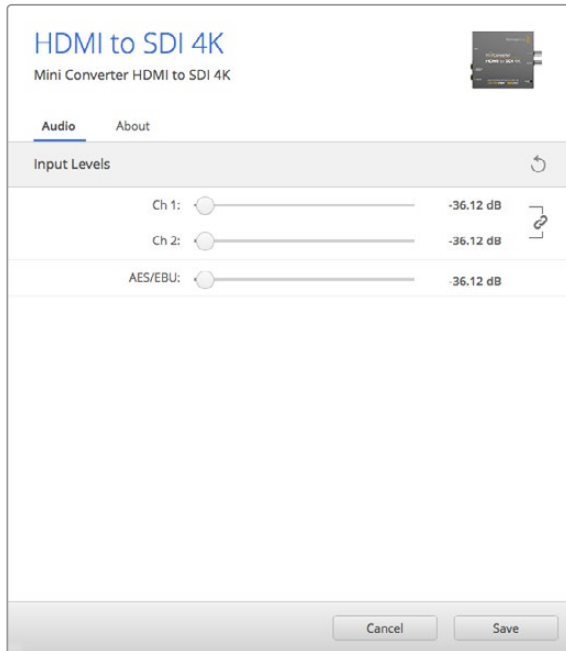
「Audio」、「About」タブを切り替えることで、これらの設定にアクセスできます。

「About」タブに関する詳細は、同マニュアルの「設定の変更」セクションに記載されています。

Mini Converter HDMI to SDI 4Kの「Audio」タブには以下の設定が含まれます。

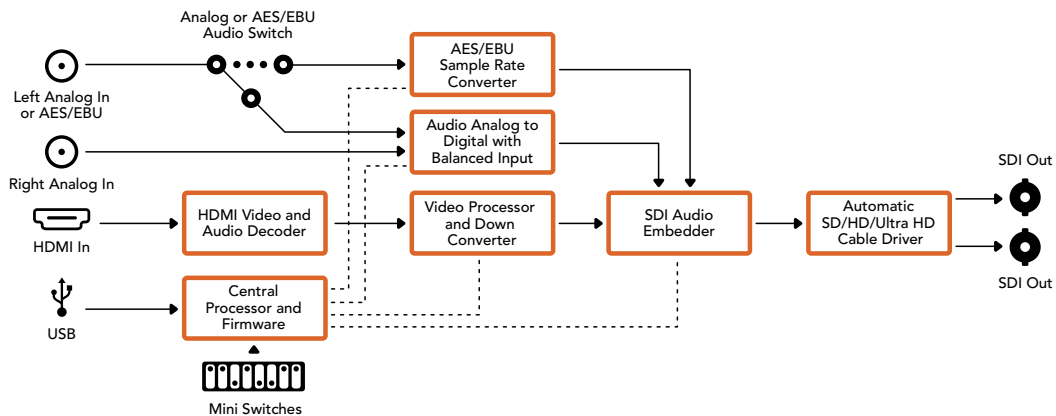
## 入力レベルメニュー (Input Levels)

同メニューではオーディオ入力のゲインを調整できます。オーディオレベルの調整は、各チャンネルごとに行うことも、スライダー横のリンクアイコンをクリックして同時に行うこともできます。すべてのオーディオレベルを0dBにリセットするには、入力レベルメニューの上部にあるリセットボタンをクリックしてください。



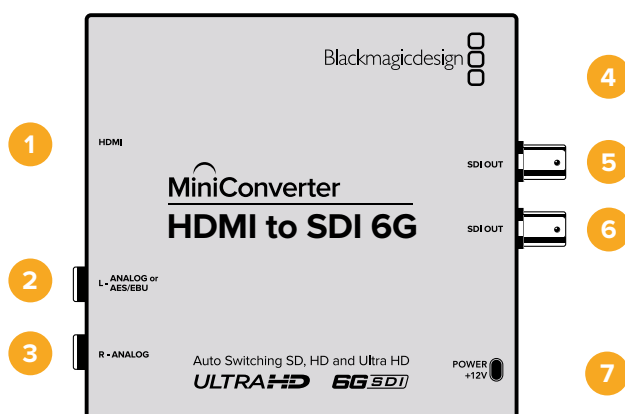
Converters Setupの「Audio」タブでオーディオレベルを調整します。

## Mini Converter HDMI to SDI 4Kブロック図



## Mini Converter HDMI to SDI 6G

Mini Converter HDMI to SDI 6Gは、HDVカメラ、ゲーム機などのデバイスからのHDMI出力をSDIに変換できます。オーディオは、HDMI、AES/EBU、バランスアナログオーディオ入力からエンベッドできます。HDMIのビデオ信号を最長のSDIケーブルで送信できるため、HDMI出力を搭載するコンピュータにSDI出力を追加できます。



## 接続

- 1 HDMI**  
HDMIビデオ入力 (タイプA)
- 2 L - アナログ、AES/EBU (L - ANALOG or AES/EBU)**  
左チャンネルのバランスアナログオーディオ、あるいはAES/EBUデジタルオーディオ入力用の1/4インチジャックコネクタ。
- 3 R - アナログ (R - ANALOG)**  
右チャンネルのバランスアナログオーディオ入力用の1/4インチジャックコネクタ。
- 4 Mini-B USBポート**  
Mac OS XあるいはWindowsコンピューターでConverters Setupソフトウェアに接続。USBポートを使ってMini Converterの内部ソフトウェアのアップデートも可能です。
- 5 SDI出力 (SDI OUT)**  
SDIビデオ出力用のBNCコネクタ。
- 6 SDI出力 (SDI OUT)**  
2つめのSDI出力。
- 7 電源+12V (POWER +12V)**  
12ボルトの電源入力。

## スイッチ

Mini Converter HDMI to SDI 6Gのスイッチは、以下の設定が可能です：

### スイッチ 8 - アナログオーディオ、AES/EBUオーディオ

スイッチ 8をオフにするとバランスアナログオーディオ、オンにするとデジタルAES/EBUオーディオ入力を選択されます。これらの入力を使用するには、スイッチ 7もオンにする必要があります。

### スイッチ 7 - HDMIオーディオ、入力オーディオ

スイッチ 7をオフにするとエンベッドHDMIオーディオが選択され、オンにするとアナログまたはAES/EBUオーディオが選択されます。

### スイッチ 6 - 3G Level B出力 (標準)、3G Level A出力

スイッチ 6をオフにすると3G Level B出力、オンにすると3G Level A出力が選択されます。

### スイッチ 2、1 - フォーマットの選択 BIT 1、0

Ultra HDおよびHDを出力できるHDMIソースを接続する場合は、コンバーターのソース出力をどちらかに強制するよう設定できます。この機能は、コンピューターのデスクトップをSDI機器の大きな画面で確認し、HDで録画/表示したい場合などに便利です。

この設定はアップ/ダウンコンバージョン設定ではありません。この設定では、コンバーターでアップ/ダウンコンバージョンを実行せずにネイティブHD/Ultra HD解像度のソースビデオを出力できるよう、ソース機器にUltra HDあるいはHDを出力するよう伝達します。

スイッチ 1と2を組み合わせて使用することで、ソースビデオをHDまたはUltra HDに強制したり、ソース機器の最適な解像度を自動的に割り出したりなどの設定が可能です。

以下はスイッチ1と2を組み合わせた設定です。

#### AUTO - スイッチ 1と2が両方ともオフ

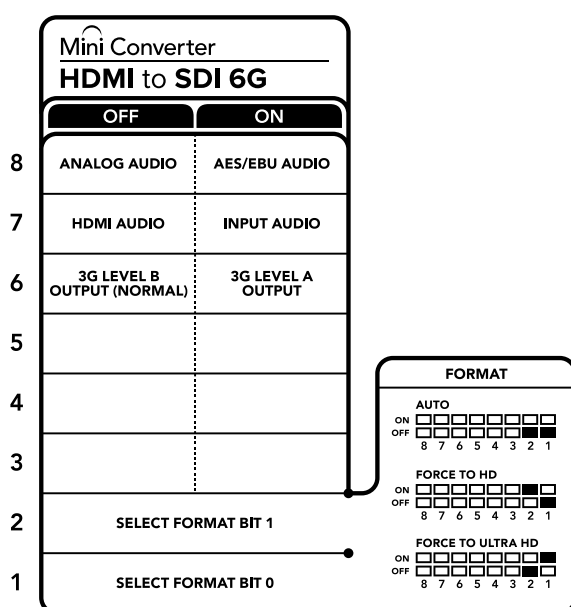
コンバーターがソース機器の出力機能を確認し、HDまたはUltra HDから最適な解像度を決定します。

#### FORCE TO HD - スイッチ 1がオフ、スイッチ 2がオン

HDMIソース機器がHDおよびUltra HDの出力に対応している場合、HDビデオを出力するようソース機器に伝達します。

#### FORCE TO ULTRA HD - スイッチ 1がオン、スイッチ 2がオフ

HDMIソース機器がHDおよびUltra HDの出力に対応している場合、Ultra HDビデオを出力するようソース機器に伝達します。



コンバーターの底に、コンバージョン設定を変更するのに必要な情報が記載されています。

## Blackmagic Converters Setup設定

Converters Setup Utilityを使って設定の変更や、Mini Converterソフトウェアのアップデートができます。

「Audio」、「About」タブを切り替えることで、これらの設定にアクセスできます。「About」タブに関する詳細は、同マニュアルの「設定の変更」セクションに記載されています。Mini Converter HDMI to SDI 6Gの「Audio」タブには以下の設定が含まれます

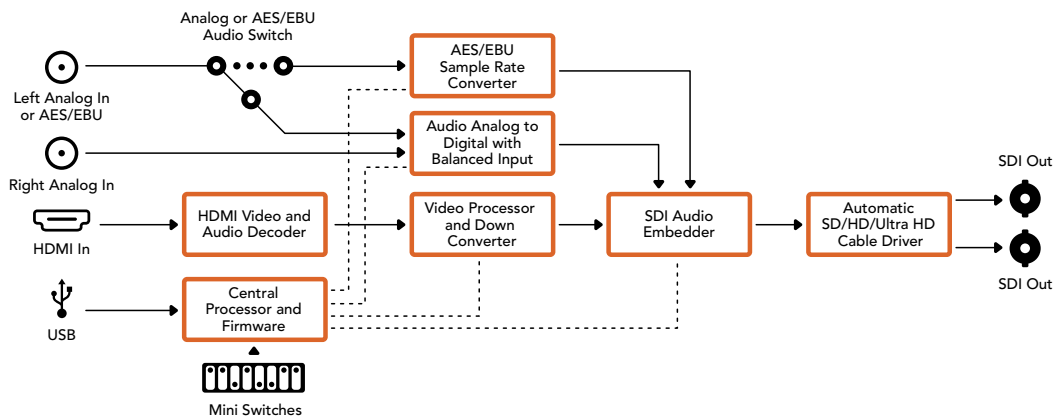
#### 入力レベルメニュー (Input Levels)

同メニューではオーディオ入力のゲインを調整できます。オーディオレベルの調整は、チャンネルごとに行うことも、スライダ横のリンクアイコンをクリックして同時に行うこともできます。すべてのオーディオレベルを0dBにリセットするには、入力レベルメニューの上部にあるリセットボタンをクリックしてください。



Converters Setupの「Audio」タブでオーディオレベルを調整します。

## Mini Converter HDMI to SDI 6Gブロック図



## Mini Converter SDI to Analog

Blackmagic Mini Converter SDI to Analogは、SD/HD-SDIからアナログコンポーネント、NTSC、PALビデオ出力、そしてバランスAES/EBUおよびアナログオーディオ出力へ変換します。同コンバーターを使えば、アナログビデオモニターや、Betacam SP、VHSなどのデッキに簡単に接続できます。ハードウェアダウンコンバーターで、HD-SDIビデオをSDアナログ機器に接続できます。16チャンネルのデエンベデッドSDIオーディオチャンネルから2チャンネルのアナログオーディオを出力することも可能です。



## 接続

- 1 **YまたはNTSC/PAL (Y or NTSC/PAL)**  
アナログコンポーネントY、コンポジットNTSC/PAL出力用のBNCコネクタ。
- 2 **B-YまたはS-VIDEO Y (B-Y or S-VIDEO Y)**  
アナログコンポーネントB-Y、Sビデオ Y出力用のBNCコネクタ。
- 3 **R-YまたはS-VIDEO C (R-Y or S-VIDEO C)**  
アナログコンポーネントR-Y、Sビデオ C出力用のBNCコネクタ。
- 4 **L - アナログ、AES/EBU (L - ANALOG or AES/EBU)**  
左チャンネルのバランスアナログオーディオ、あるいはAES/EBUデジタルオーディオ出力の1/4インチジャックコネクタ。
- 5 **R - アナログ (R - ANALOG)**  
右チャンネルのバランスアナログオーディオ出力の1/4インチジャックコネクタ。
- 6 **MINI-B USBポート**  
Mac OS XあるいはWindowsコンピューターでConverters Setupソフトウェアに接続。USBポートを使ってMini Converterの内部ソフトウェアアップデートも可能です。
- 7 **SDI出力 (SDI OUT)**  
SDIビデオ出力用のBNCコネクタ。
- 8 **代替SDI入力 (ALT SDI IN)**  
バックアップオプション用のリダンダントSDI入力。
- 9 **SDI入力 (SDI IN)**  
主要SDI入力。
- 10 **電源 +12V (POWER +12V)**  
12ボルトの電源入力。

## スイッチ

### スイッチ 8 - アナログオーディオ、AES/EBUオーディオ

スイッチ 8をOFFにするとバランスアナログオーディオ、ONにするとAES/EBUデジタルオーディオ出力が選択されます。

### スイッチ 7 - 7.5 IRE、0.0 IRE

アメリカ合衆国および、7.5設定のNTSCを使用する国ではスイッチ 7をOFFに設定します。7.5設定を使用しない国ではスイッチ 7をONにしてください。同設定は、コンポジットあるいはSビデオ出力のみに影響します。



### スイッチ 6 - SMPTEレベル、Betacamレベル

SMPTEレベルはスイッチ 6をOFFに、BetacamレベルはONにします。SMPTEレベルはより一般的であり、Betacam SPデッキでもSMPTEレベルを使用できるので、確実にBetacamレベルが使用されている場合にのみBetacamに設定してください。

### スイッチ 5 - コンポーネント、コンポジット、Sビデオ

スイッチ 5をOFFにするとアナログコンポーネントビデオ出力、ONにするとコンポジットおよびSビデオ出力が選択されます。

HDビデオ入力をSビデオおよびコンポジット出力で表示するには、ダウンコンバージョンをONにする必要があります。コンポーネントアナログビデオはHDおよびSDビデオの両方をサポートしています。

### スイッチ 4 - SDIオーディオのデエンベッド Bit 2

スイッチ 4、3、2はグループ化されており、ON/OFFで8パターンのコンビネーションを設定できます。この8パターンのコンビネーションで、選択した8つのオーディオチャンネル・ペアを、SDI入力からデエンベッドできます。

### スイッチ 3 - SDIオーディオのデエンベッド Bit 1

スイッチ 4の説明を参照してください。

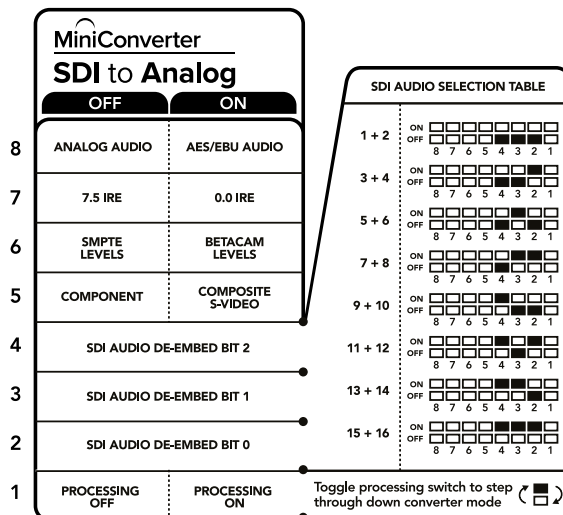
### スイッチ 2 - SDIオーディオのデエンベッド Bit 0

スイッチ 4の説明を参照してください。

### スイッチ 1 - 処理OFF - 処理ON

スイッチ 1を使って3つのタイプのアスペクトレシオのダウンコンバージョンが可能です。ON/OFFを切り替えることでアナモルフィック、センターカット、レターボックスのアスペクトレシオを適用できます。スイッチ1をOFFにするとダウンコンバージョンを回避してHDを出力します。

USB経由でBlackmagic Converters Setupに接続している場合、ダウンコンバージョンの設定をソフトウェアでコントロールできます。ソフトウェア設定をコンバーターで保存したい場合は、コンピューターから外した際にコンバーターの電源を入れ直し、スイッチ1を使ってダウンコンバージョンを設定します。



コンバーターの底に、コンバージョン設定を変更するのに必要な情報が記載されています。

### スイッチ設定の例

Blackmagic Mini Converterのスイッチ8、5、4、3、2をOFFにすることで、HDコンポーネントビデオおよびアナログオーディオチャンネル1、2を出力する設定になるか試してみてください。

## SDIオーディオ選択表

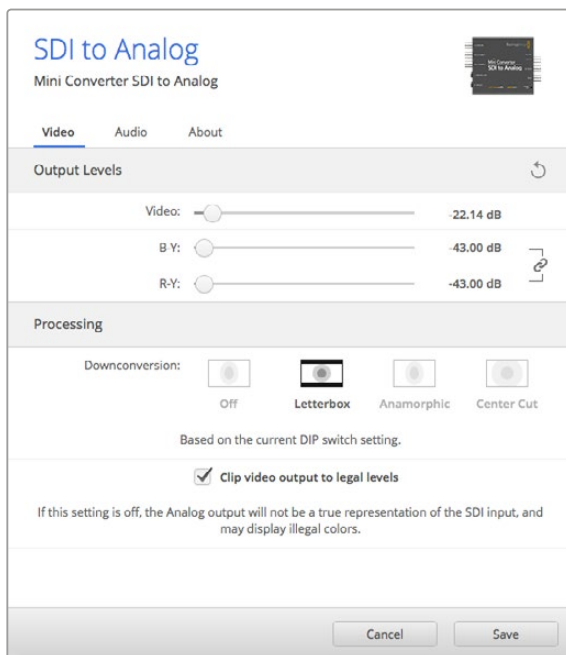
オーディオチャンネル	スイッチ 4	スイッチ 3	スイッチ 2	スイッチダイアグラム
1および2	OFF	OFF	OFF	ON OFF 8 7 6 5 4 3 2 1
3および4	OFF	OFF	ON	ON OFF 8 7 6 5 4 3 2 1
5および6	OFF	ON	OFF	ON OFF 8 7 6 5 4 3 2 1
7および8	OFF	ON	ON	ON OFF 8 7 6 5 4 3 2 1
9および10	ON	OFF	OFF	ON OFF 8 7 6 5 4 3 2 1
11および12	ON	OFF	ON	ON OFF 8 7 6 5 4 3 2 1
13および14	ON	ON	OFF	ON OFF 8 7 6 5 4 3 2 1
15および16	ON	ON	ON	ON OFF 8 7 6 5 4 3 2 1

## Blackmagic Converters Setup設定

Converters Setup Utilityを使って設定の変更や、Mini Converterソフトウェアのアップデートができます。「Video」、「Audio」、「About」タブを切り替えることで、これらの設定にアクセスできます。

「About」タブに関する詳細は、同マニュアルの「設定の変更」セクションに記載されています。

Mini Converter SDI to Analogの「Video」タブには以下の設定が含まれます。



Converters Setupの「Video」タブでアナログビデオレベルと処理設定を調整します。

### 処理メニュー (Processing)

ダウンコンバートビデオのアスペクトレシオを設定できます。選択オプションはレターボックス、アナモルフィック、センターカット、未処理です。

「Clip video output to legal levels」チェックボックスは、SDI入力のクリッピングをコントロールし、HDMI出力の信号を規定レベル内に収めます。このチェックボックスは常にオンにしておくことをお勧めします。

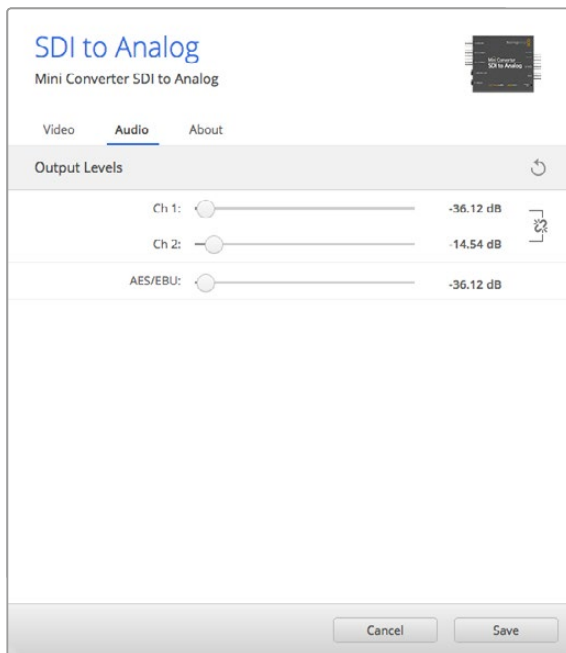
### 出力レベルメニュー (Output Levels)

ルミナンスおよびクロマレベル、B-YおよびR-Yコンポーネントレベルを別々に設定できます。

Mini Converter SDI to Analogの「Audio」タブには以下の設定が含まれます。

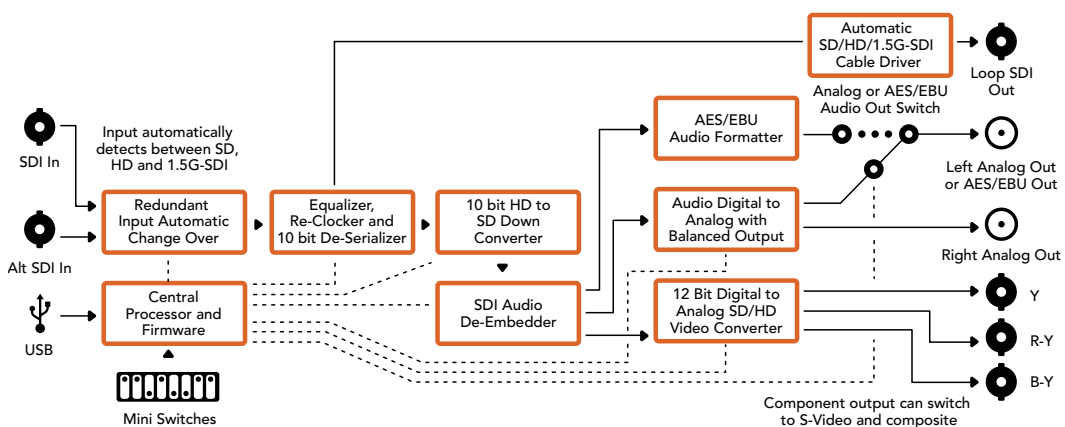
### 出力レベルメニュー (Output Levels)

同メニューではオーディオ出力のゲインを調整できます。オーディオレベルの調整は、各チャンネルごとに行うことも、スライダー横のリンクアイコンをクリックして同時に行うこともできます。すべてのオーディオレベルを0dBにリセットするには、出力レベルメニューの上部にあるリセットボタンをクリックしてください。



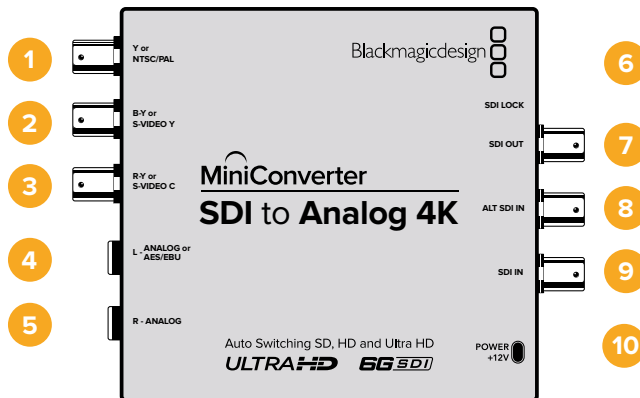
Converters Setupの「Audio」タブでアナログオーディオレベルを調整します。

### Mini Converter SDI to Analog ブロック図



## Mini Converter SDI to Analog 4K

Mini Converter SDI to Analog 4KおよびSDI to Analog 4K Heavy Dutyモデルは、SD/HD/3G/6G-SDIからアナログコンポーネント、NTSC/PALビデオ出力、そしてバランスAES/EBUおよびアナログオーディオ出力へ変換します。ダウンコンバーターが内蔵されているので、6G-SDIまでのビデオをSD/HDアナログ機器に接続できます。また、ビデオモニターやBetacam SPやVHSなどのビデオモニターやデッキにも簡単に接続できます。16チャンネルのデエンベデッドSDIオーディオチャンネルから2チャンネルのアナログオーディオを出力することも可能です。



### 接続

- 1 YまたはNTSC/PAL (Y or NTSC/PAL)**  
アナログコンポーネントY、コンポジットNTSC/PAL出力用のBNCコネクタ。
- 2 B-YまたはS-VIDEO Y (B-Y or S-VIDEO Y)**  
アナログコンポーネントB-Y、Sビデオ Y出力用のBNCコネクタ。
- 3 R-YまたはS-VIDEO C (R-Y or S-VIDEO C)**  
アナログコンポーネントR-Y、Sビデオ C出力用のBNCコネクタ。
- 4 L - アナログ、AES/EBU (L - ANALOG or AES/EBU)**  
左チャンネルのバランスアナログオーディオ、あるいはAES/EBUデジタルオーディオ出力の1/4インチジャックコネクタ。
- 5 R - アナログ (R - ANALOG)**  
右チャンネルのバランスアナログオーディオ出力の1/4インチジャックコネクタ。
- 6 MINI-B USBポート**  
Mac OS XあるいはWindowsコンピューターでConverters Setupソフトウェアに接続。USBポートを使ってMini Converterの内部ソフトウェアアップデートも可能です。
- 7 SDI出力 (SDI OUT)**  
SDIビデオ出力のBNCコネクタ。
- 8 代替SDI入力 (ALT SDI IN)**  
バックアップオプション用のリダンダントSDI入力。
- 9 SDI入力 (SDI IN)**  
主要SDI入力。
- 10 電源 +12V (POWER +12V)**  
12ボルトの電源入力。

## スイッチ

**作業のコツ** Mini Converter Heavy Dutyモデルでは、スイッチはゴム製のダストカバーで保護されています。カバーの端を上げるとスイッチを使用できます。

Mini Converter SDI to Analog 4Kのスイッチは、以下の設定が可能です：

### スイッチ 8 - アナログオーディオ、AES/EBUオーディオ

スイッチ 8をOFFにするとバランスアナログオーディオ、ONにするとデジタルAES/EBUオーディオ出力が選択されます。

### スイッチ 7 - 7.5 IRE、0.0 IRE

アメリカ合衆国および、7.5設定のNTSCを使用する国ではスイッチ 7をOFFに設定します。7.5設定を使用しない国ではスイッチ 7をオンにしてください。同設定は、コンポジットあるいはSビデオ出力のみに影響します。

### スイッチ 6 - SMPTEレベル、Betacamレベル

SMPTEレベルはスイッチ 6をOFFに、BetacamレベルはONにします。SMPTEレベルはより一般的であり、Betacam SPデッキでもSMPTEレベルを使用できるので、確実にBetacamレベルが使用されている場合にのみBetacamに設定してください。

### スイッチ 5 - コンポーネント、コンポジット、Sビデオ

スイッチ 5をOFFにするとアナログコンポーネントビデオ出力、ONにするとコンポジットおよびSビデオ出力が選択されます。

HDビデオ入力をSビデオおよびコンポジット出力でSDで表示するには、ダウンコンバージョンをONにする必要があります。コンポーネントアナログビデオはHDおよびSDビデオの両方をサポートしています。

### スイッチ 4、3、2 - SDIオーディオのデエンベッド

スイッチ 4、3、2はグループ化されており、ON/OFFで8パターンのコンビネーションを設定できます。この8パターンのコンビネーションで、選択した8つのオーディオチャンネル・ペアを、SDI入力からデエンベッドできます。

### スイッチ 1 - 処理OFF - 処理ON

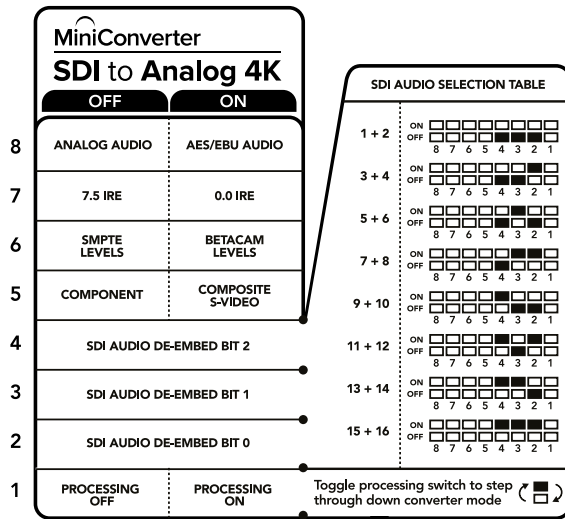
スイッチ 1を繰り返し押すことで3つのタイプのダウンコンバージョンが可能です。ON/OFFを切り替えることでアナモルフィック、センターカット、レターボックスのアスペクトレシオを適用できます。

HDおよびUltra HD入力は、スイッチをOFFにするとコンポーネント出力からHDアナログで出力されます。

スイッチをONにすると、Ultra HD入力は他のスイッチ設定に応じてアナログPAL/NTSCまたはHDコンポーネントにダウンコンバートされます。4K DCIはコンポーネントHD出力でスケーリングされます。

HD入力でスイッチをONにすると、他のスイッチ設定に応じてアナログPAL/NTSCまたはコンポーネントにダウンコンバートされます。

USB経由でBlackmagic Converters Setupに接続している場合、ダウンコンバージョンの設定をソフトウェアでコントロールできます。ソフトウェア設定をコンバーターで保存したい場合は、コンピューターから外した際にコンバーターの電源を入れ直し、スイッチ1を使ってダウンコンバージョンを設定します。



コンバーターの底に、コンバージョン設定を変更するのに必要な情報が記載されています。

### スイッチ設定の例：

Blackmagic Mini Converterのスイッチ8、5、4、3、2をOFFにすることで、HDコンポーネントビデオおよびアナログオーディオチャンネル1、2を出力する設定になるか試してみてください。

### オーディオ選択表

オーディオチャンネル	スイッチ 4	スイッチ 3	スイッチ 2	スイッチダイアグラム
1および2	OFF	OFF	OFF	ON OFF <input type="checkbox"/> <input type="checkbox"/> <input type="checkbox"/> <input type="checkbox"/> <input type="checkbox"/> <input type="checkbox"/> <input type="checkbox"/> <input type="checkbox"/> 8 7 6 5 4 3 2 1
3および4	OFF	OFF	ON	ON OFF <input type="checkbox"/> <input type="checkbox"/> <input type="checkbox"/> <input type="checkbox"/> <input type="checkbox"/> <input type="checkbox"/> <input checked="" type="checkbox"/> <input checked="" type="checkbox"/> 8 7 6 5 4 3 2 1
5および6	OFF	ON	OFF	ON OFF <input type="checkbox"/> <input type="checkbox"/> <input type="checkbox"/> <input type="checkbox"/> <input checked="" type="checkbox"/> <input checked="" type="checkbox"/> <input type="checkbox"/> <input type="checkbox"/> 8 7 6 5 4 3 2 1
7および8	OFF	ON	ON	ON OFF <input type="checkbox"/> <input type="checkbox"/> <input type="checkbox"/> <input type="checkbox"/> <input checked="" type="checkbox"/> <input checked="" type="checkbox"/> <input checked="" type="checkbox"/> <input checked="" type="checkbox"/> 8 7 6 5 4 3 2 1
9および10	ON	OFF	OFF	ON OFF <input type="checkbox"/> <input type="checkbox"/> <input type="checkbox"/> <input checked="" type="checkbox"/> <input checked="" type="checkbox"/> <input type="checkbox"/> <input type="checkbox"/> 8 7 6 5 4 3 2 1
11および12	ON	OFF	ON	ON OFF <input type="checkbox"/> <input type="checkbox"/> <input type="checkbox"/> <input checked="" type="checkbox"/> <input checked="" type="checkbox"/> <input checked="" type="checkbox"/> <input checked="" type="checkbox"/> 8 7 6 5 4 3 2 1
13および14	ON	ON	OFF	ON OFF <input type="checkbox"/> <input type="checkbox"/> <input checked="" type="checkbox"/> <input checked="" type="checkbox"/> <input type="checkbox"/> <input type="checkbox"/> 8 7 6 5 4 3 2 1
15および16	ON	ON	ON	ON OFF <input type="checkbox"/> <input type="checkbox"/> <input checked="" type="checkbox"/> <input checked="" type="checkbox"/> <input checked="" type="checkbox"/> <input checked="" type="checkbox"/> 8 7 6 5 4 3 2 1

## Blackmagic Converters Setup設定

Converters Setup Utilityを使って設定の変更や、Mini Converterソフトウェアのアップデートができます。

「Video」、「Audio」、「About」タブを切り替えることで、これらの設定にアクセスできます。

「About」タブに関する詳細は、同マニュアルの「設定の変更」セクションに記載されています。

Mini Converter SDI to Analog 4Kの「Video」タブには以下の設定が含まれます。

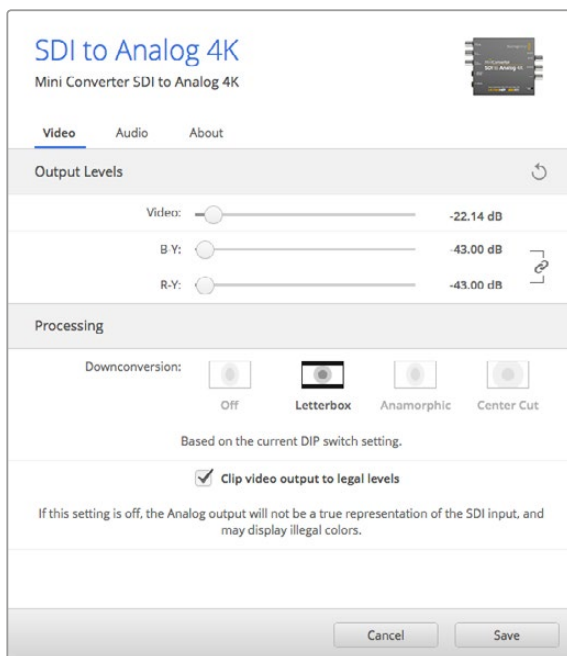
### 出力レベルメニュー (Output Levels)

ルミナンスおよびクロマレベル、B-YおよびR-Yコンポーネントレベルを別々に設定できます。

### 処理メニュー (Processing)

ダウンコンバートビデオのアスペクトレシオを設定できます。選択オプションはレターボックス、アナモルフィック、センターカット、未処理です。

「Clip video output to legal levels」チェックボックスは、SDI入力のクリッピングをコントロールし、HDMI出力の信号を規定レベル内に収めます。このチェックボックスは常にオンにしておくことをお勧めします。

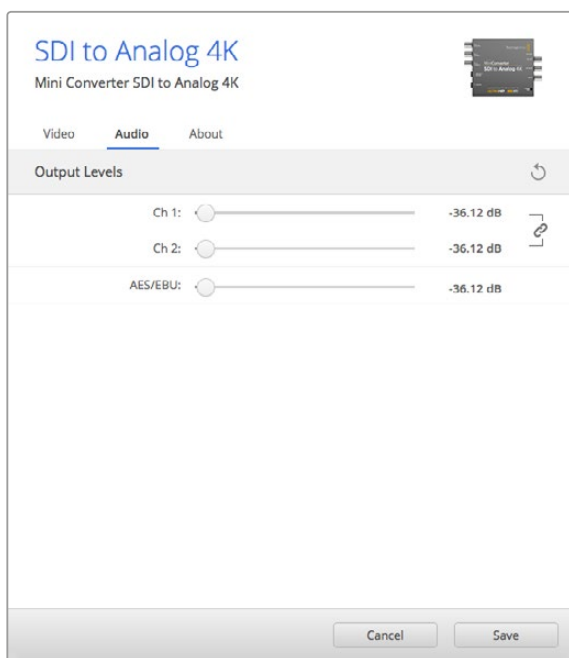


Converters Setupの「Video」タブでアナログビデオレベルと処理設定を調整します。

Mini Converter SDI to Analog 4Kの「Audio」タブには以下の設定が含まれます。

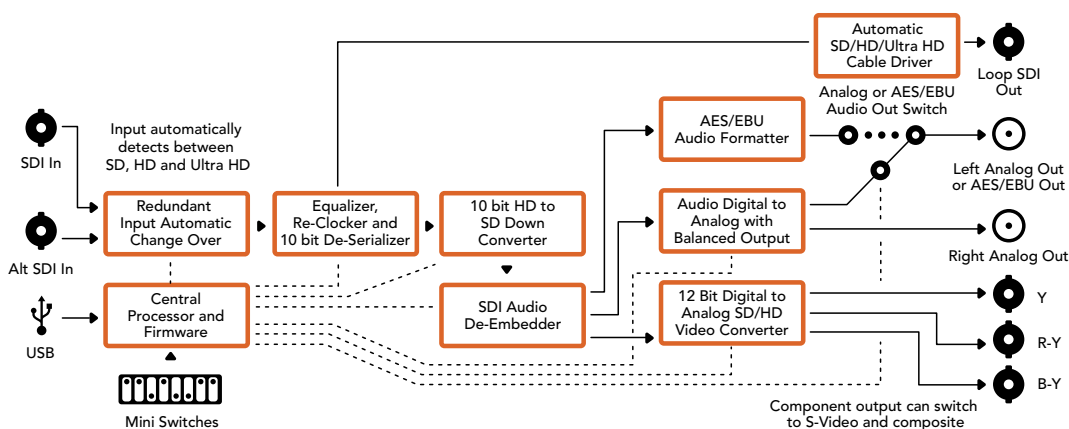
### 出力レベルメニュー (Output Levels)

同メニューではオーディオ入力のゲインを調整できます。オーディオレベルの調整は、各チャンネルごとに行うことも、スライダー横のリンクアイコンをクリックして同時に行うこともできます。すべてのオーディオレベルを0dBにリセットするには、出力レベルメニューの上部にあるリセットボタンをクリックしてください。



Converters Setupの「Audio」タブでアナログオーディオレベルを調整します。

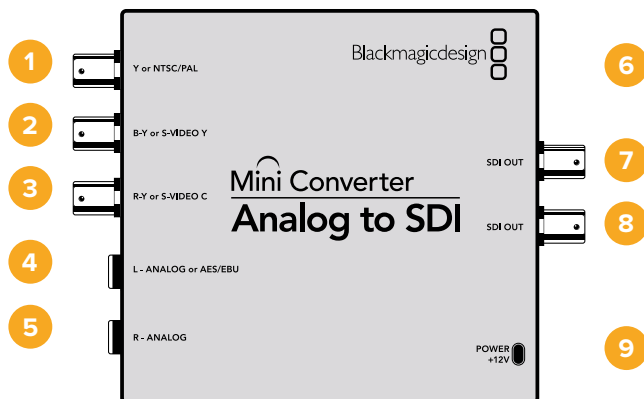
## Mini Converter SDI to Analog 4K ブロック図



## Mini Converter Analog to SDI

Mini Converter Analog to SDIおよびAnalog to SDI Heavy Dutyモデルは、Betacam SPデッキ、HDVカメラ、ゲーム機などアナログ機器のビデオおよびオーディオを、SD/HD-SDIビデオに変換します。コンポーネントSD/HD、Sビデオ、コンポジットNTSCおよびPALのアナログ入力フォーマットを選択できます。コンバーターのHD-SDI出力は、デジタルAES/EBUあるいはアナログオーディオのエンベッドオプションが付いています。





## 接続

- 1 **YまたはNTSC/PAL (Y or NTSC/PAL)**  
アナログコンポーネントY、コンポジット、NTSC/PAL入力用のBNCコネクター。
- 2 **B-YまたはS-VIDEO Y (B-Y or S-VIDEO Y)**  
アナログコンポーネントB-Y、Sビデオ Y入力用のBNCコネクター。
- 3 **R-YまたはS-VIDEO C (R-Y or S-VIDEO C)**  
アナログコンポーネントR-Y、Sビデオ C入力用のBNCコネクター。
- 4 **L - アナログ、AES/EBU (L - ANALOG or AES/EBU)**  
左チャンネルのバランスアナログオーディオ、あるいはAES/EBUデジタルオーディオ入力の1/4インチジャックコネクター。
- 5 **R - アナログ (R - ANALOG)**  
右チャンネルのバランスアナログオーディオ入力の1/4インチジャックコネクター。
- 6 **MINI-B USBポート**  
Mac OS XあるいはWindowsコンピューターでConverters Setupソフトウェアに接続。USBポートを使ってMini Converterの内部ソフトウェアアップデートも可能です。
- 7 **SDI出力 (SDI OUT)**  
SDIビデオ出力のBNCコネクター。
- 8 **SDI出力 (SDI OUT)**  
2つめのSDI出力。
- 9 **電源 +12V (POWER +12V)**  
12ボルトの電源入力。

## スイッチ

**作業のこつ** Mini Converter Heavy Dutyモデルでは、スイッチはゴム製のダストカバーで保護されています。カバーの端を上げるとスイッチを使用できます。

Mini Converter Analog to SDIのスイッチは、以下の設定が可能です：

### スイッチ 8 - アナログオーディオ、AES/EBUオーディオ

スイッチ 8をOFFにするとバランスアナログオーディオ、ONにするとデジタルAES/EBUオーディオ入力を選択されます。

### スイッチ 7 - 7.5 IRE、0.0 IRE

アメリカ合衆国および、7.5設定のNTSCを使用する国ではスイッチ 7をOFFに設定します。7.5設定を使用しない国（日本を含む）で使用する場合は、スイッチ7をONにします。同設定は、コンポジットあるいはSビデオ出力のみに影響します。

### スイッチ 6 - SMPTEレベル、Betacamレベル

同設定は、SMPTEあるいはBetacamビデオレベルを選択します。SMPTEレベルはスイッチ 6をOFFに、BetacamレベルはONにします。SMPTEレベルはより一般的であり、Betacam SPデッキでもSMPTEレベルを使用できるので、確実にBetacamレベルが使用されている場合にのみBetacamに設定してください。

### スイッチ 5 - コンポーネント、コンポジット、Sビデオ

スイッチ 5をOFFにするとアナログコンポーネントビデオ入力、オンにするとコンポジットおよびSビデオアナログ入力を選択されます。

Mini Converter		
Analog to SDI		
	OFF	ON
8	ANALOG AUDIO	AES/EBU AUDIO
7	7.5 IRE	0.0 IRE
6	SMPTE LEVELS	BETACAM LEVELS
5	COMPONENT	COMPOSITE or S-VIDEO
4	COMPOSITE	S-VIDEO
3		
2		
1	PROCESSING OFF	PROCESSING ON

コンバーターの底に、コンバージョン設定を変更するのに必要な情報が記載されています。

### スイッチ 4 - コンポジット、Sビデオ

コンポジットビデオ入力はスイッチ 4をOFFに、Sビデオ入力はONにします。

### スイッチ 1 - 処理OFF - 処理ON

このスイッチは使用されていません。

### スイッチ設定の例

Blackmagic Mini Converterのスイッチ8、5をOFFにすることで、コンポーネントビデオおよびアナログオーディオチャンネルを入力する設定になるか試してみてください。

## Blackmagic Converters Setup設定

Converters Setup Utilityを使って設定の変更や、Mini Converterソフトウェアのアップデートができます。「Video」、「Audio」、「About」タブを切り替えることで、これらの設定にアクセスできます。

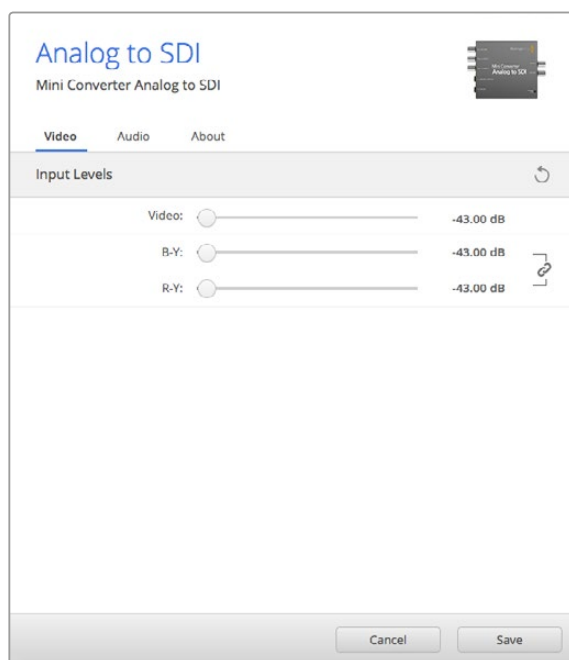
「About」タブに関する詳細は、同マニュアルの「設定の変更」セクションに記載されています。

Mini Converter Analog to SDIの「Video」タブには以下の設定が含まれます。

### 入力レベルメニュー (Input Levels)

ルミナンスおよびクロマレベル、B-YおよびR-Yコンポーネントレベルを別々に設定できます。

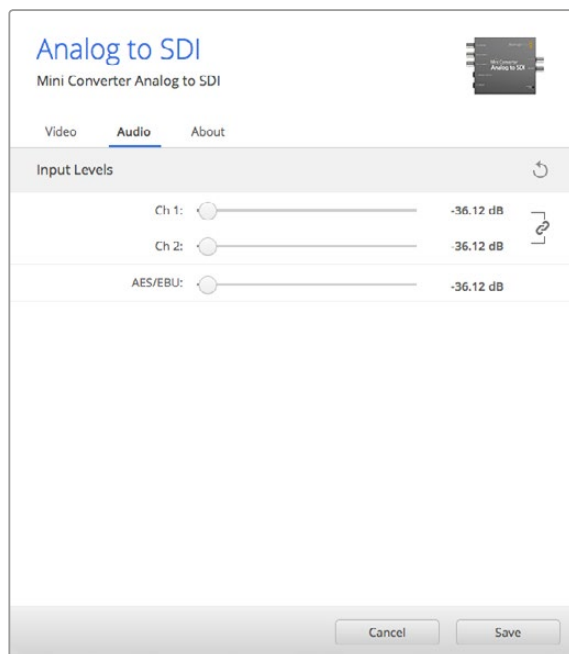
Mini Converter Analog to SDIの「Audio」タブには以下の設定が含まれます。



Converters Setupの「Video」タブでビデオレベルを調整します。

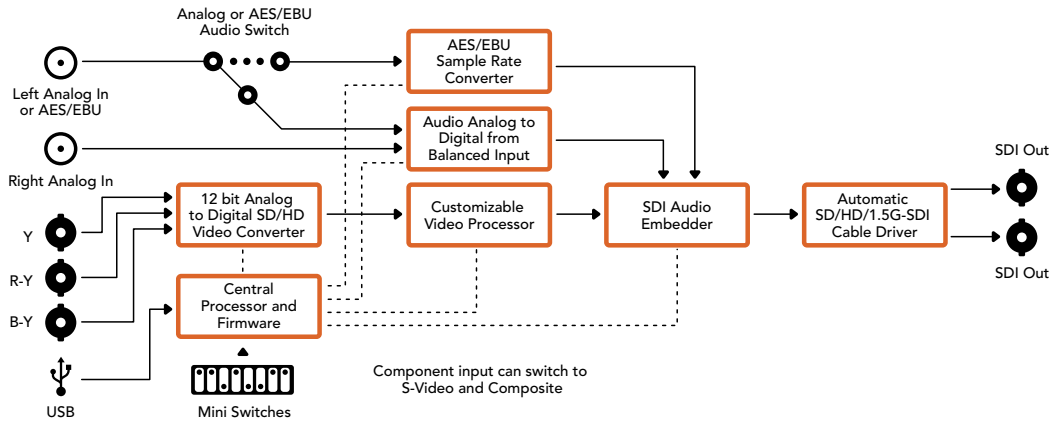
### 入力レベルメニュー (Input Levels)

同メニューではオーディオ入力のゲインを調整できます。オーディオレベルの調整は、各チャンネルごとに行うことも、スライダー横のリンクアイコンをクリックして同時に行うこともできます。すべてのオーディオレベルを0dBにリセットするには、入力レベルメニューの上部にあるリセットボタンをクリックしてください。



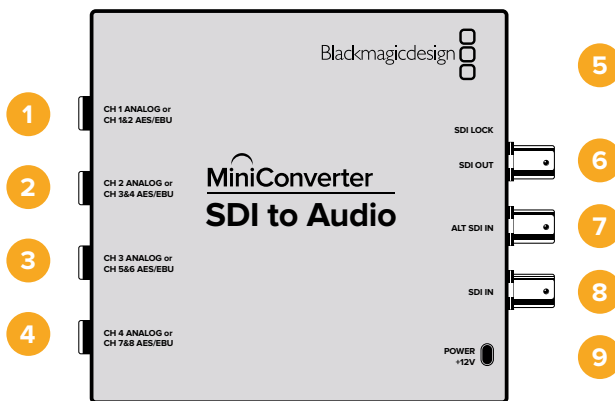
Converters Setupの「Audio」タブでアナログオーディオレベルを調整します。

## Mini Converter Analog to SDI ブロック図



## Mini Converter SDI to Audio

Mini Converter SDI to Audioは、あらゆるSDIビデオ接続から4チャンネルのオーディオをデエンベッドして、4チャンネルのアナログオーディオまたは8チャンネルのAES/EBUデジタルオーディオに出力。オーディオミキサー、アナログデッキ、リファレンスモニターなどのオーディオ機器に出力できます。コンバーターのSDI出力にもう1台のMini Converter SDI to Audioをデイジーチェーン接続することで、追加のSDIオーディオチャンネルをデエンベッドできます。



## 接続

- 1 チャンネル1アナログまたはチャンネル1&2 AES/EBU (CH 1 ANALOG or CH 1 & 2 AES/EBU)  
バランスアナログオーディオチャンネル1、またはAES/EBUデジタルオーディオチャンネル1/2出力用の1/4インチジャックコネクタ。
- 2 チャンネル2アナログまたはチャンネル3&4 AES/EBU (CH 2 ANALOG or CH 3 & 4 AES/EBU)  
バランスアナログオーディオチャンネル2、またはAES/EBUデジタルオーディオチャンネル3/4出力用の1/4インチジャックコネクタ。
- 3 チャンネル3アナログまたはチャンネル5&6 AES/EBU (CH 3 ANALOG or CH 5 & 6 AES/EBU)  
バランスアナログオーディオチャンネル3、またはAES/EBUデジタルオーディオチャンネル5/6出力用の1/4インチジャックコネクタ。
- 4 チャンネル4アナログまたはチャンネル7&8 AES/EBU (CH 4 ANALOG or CH 7 & 8 AES/EBU)  
バランスアナログオーディオチャンネル4、またはAES/EBUデジタルオーディオチャンネル7/8出力用の1/4インチジャックコネクタ。

## 5 MINI-B USBポート

Mac OS XあるいはWindowsコンピュータでConverters Setupソフトウェアに接続。USBポートを使ってMini Converterの内部ソフトウェアアップデートも可能です。

## 6 SDI出力 (SDI OUT)

ループスルーSDIビデオ出力用のBNCコネクタ。

## 7 代替SDI入力 (ALT SDI IN)

バックアップオプション用のリダンダントSDI入力。SDI入力と代替SDI入力をどちらも使用すると、SDI入力信号に問題が生じた際に代替SDI入力に切り替わります。「SDI LOCK」のLEDが点滅し、コンバーターが「ALT SDI IN」の入力に切り替わったことを表示します。

## 8 SDI入力 (SDI IN)

主要SDI入力。

## 9 電源 +12V (POWER +12V)

12ボルトの電源入力。

# スイッチ

Mini Converter SDI to Audioのスイッチは、以下の設定が可能です：

### スイッチ 8 - アナログオーディオ、AES/EBUオーディオ

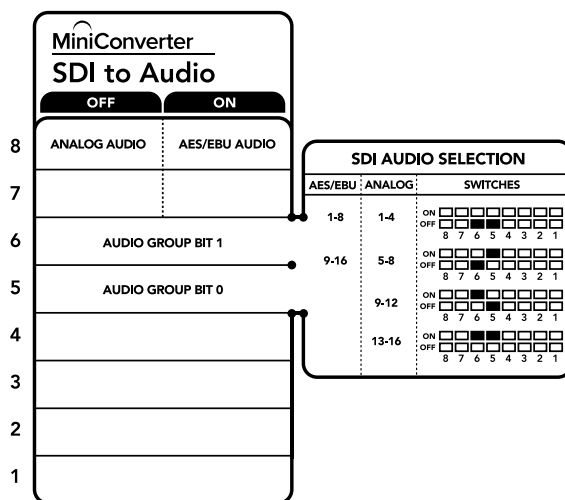
スイッチ 8をOFFにするとバランスアナログオーディオ、ONにするとデジタルAES/EBUオーディオ出力が選択されます。

### スイッチ 6 - オーディオグループ Bit 1

スイッチ 6、5はグループ化されており、ON/OFFで4パターンのコンビネーションを設定できます。これにより、4セットの4アナログオーディオチャンネル、または2セットの8 AES/EBUオーディオチャンネルをSDI入力からエンベッドできます。

### スイッチ 5 - オーディオグループ Bit 0

スイッチ 6の説明を参照してください。



コンバーターの底に、コンバージョン設定を変更するのに必要な情報が記載されています。

## スイッチ設定の例

様々なスイッチ設定を試してみてください。スイッチ8、6、5をOFFにして、アナログオーディオチャンネル1-4を選択してください。

## オーディオ選択表

アナログオーディオチャンネル	スイッチ 6	スイッチ 5	スイッチダイアグラム
1 ~ 4	OFF	OFF	ON <input type="checkbox"/> <input type="checkbox"/> <input type="checkbox"/> <input type="checkbox"/> <input type="checkbox"/> <input type="checkbox"/> <input type="checkbox"/> <input type="checkbox"/> OFF <input type="checkbox"/> <input type="checkbox"/> <input checked="" type="checkbox"/> <input checked="" type="checkbox"/> <input type="checkbox"/> <input type="checkbox"/> <input type="checkbox"/> <input type="checkbox"/> 8 7 6 5 4 3 2 1
5 ~ 8	OFF	ON	ON <input type="checkbox"/> <input type="checkbox"/> <input type="checkbox"/> <input type="checkbox"/> <input type="checkbox"/> <input type="checkbox"/> <input type="checkbox"/> <input type="checkbox"/> OFF <input type="checkbox"/> <input type="checkbox"/> <input checked="" type="checkbox"/> <input checked="" type="checkbox"/> <input type="checkbox"/> <input type="checkbox"/> <input type="checkbox"/> <input type="checkbox"/> 8 7 6 5 4 3 2 1
9 ~ 12	ON	OFF	ON <input type="checkbox"/> <input checked="" type="checkbox"/> <input type="checkbox"/> <input type="checkbox"/> <input type="checkbox"/> <input type="checkbox"/> <input type="checkbox"/> <input type="checkbox"/> OFF <input type="checkbox"/> <input type="checkbox"/> <input checked="" type="checkbox"/> <input checked="" type="checkbox"/> <input type="checkbox"/> <input type="checkbox"/> <input type="checkbox"/> <input type="checkbox"/> 8 7 6 5 4 3 2 1
13 ~ 16	ON	ON	ON <input type="checkbox"/> <input checked="" type="checkbox"/> <input checked="" type="checkbox"/> <input type="checkbox"/> <input type="checkbox"/> <input type="checkbox"/> <input type="checkbox"/> <input type="checkbox"/> OFF <input type="checkbox"/> <input type="checkbox"/> <input checked="" type="checkbox"/> <input checked="" type="checkbox"/> <input type="checkbox"/> <input type="checkbox"/> <input type="checkbox"/> <input type="checkbox"/> 8 7 6 5 4 3 2 1

AES/EBUチャンネル	スイッチ 6	スイッチ 5	スイッチダイアグラム
1 ~ 8	OFF	OFF	ON <input type="checkbox"/> <input type="checkbox"/> <input type="checkbox"/> <input type="checkbox"/> <input type="checkbox"/> <input type="checkbox"/> <input type="checkbox"/> <input type="checkbox"/> OFF <input type="checkbox"/> <input type="checkbox"/> <input checked="" type="checkbox"/> <input checked="" type="checkbox"/> <input type="checkbox"/> <input type="checkbox"/> <input type="checkbox"/> <input type="checkbox"/> 8 7 6 5 4 3 2 1
9 ~ 16	OFF	ON	ON <input type="checkbox"/> <input type="checkbox"/> <input type="checkbox"/> <input type="checkbox"/> <input type="checkbox"/> <input type="checkbox"/> <input type="checkbox"/> <input type="checkbox"/> OFF <input type="checkbox"/> <input type="checkbox"/> <input checked="" type="checkbox"/> <input checked="" type="checkbox"/> <input type="checkbox"/> <input type="checkbox"/> <input type="checkbox"/> <input type="checkbox"/> 8 7 6 5 4 3 2 1

## Blackmagic Converters Setup設定

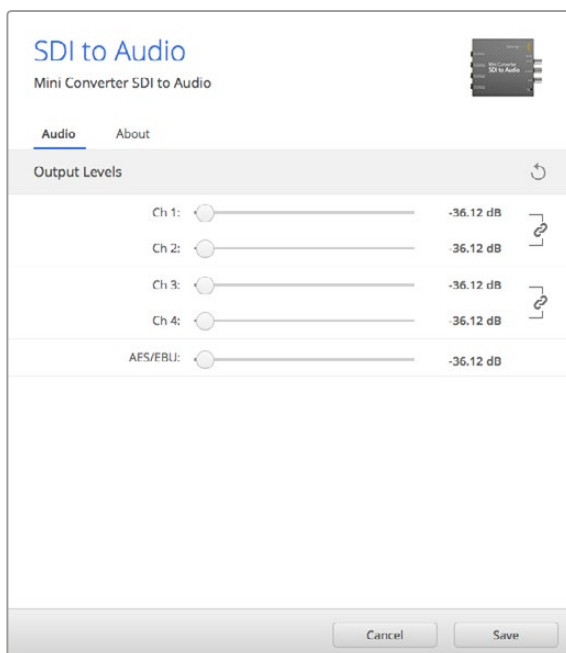
Converters Setup Utility を使って設定の変更や、Mini Converterソフトウェアのアップデートができます。「Audio」、「About」タブを切り替えることで、これらの設定にアクセスできます。

「About」タブに関する詳細は、同マニュアルの「設定の変更」セクションに記載されています。

Mini Converter SDI to Audioの「Audio」タブには以下の設定が含まれます。

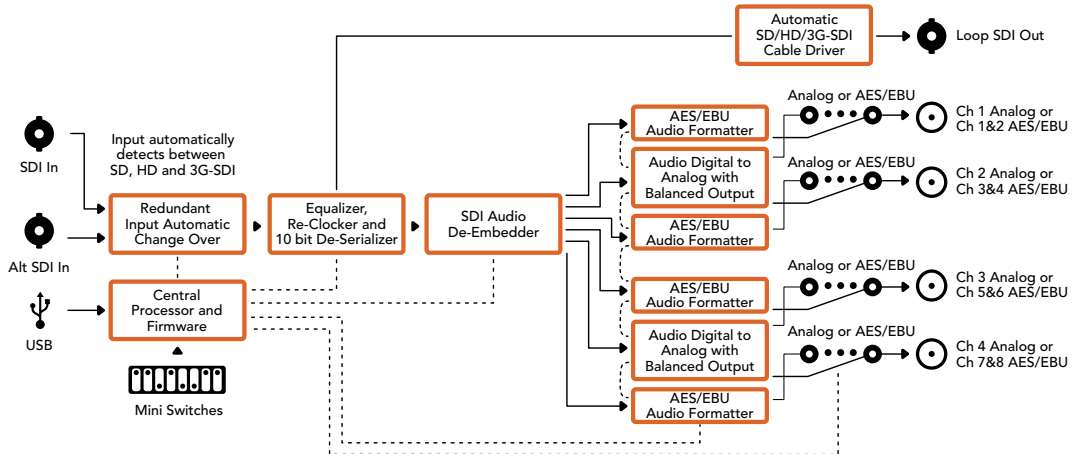
### 出力レベルメニュー (Output Levels)

同メニューではオーディオ出力のゲインを調整できます。オーディオレベルの調整は、各チャンネルごとに行うことも、スライダー横のリンクアイコンをクリックして同時に行うこともできます。すべてのオーディオレベルを0dBにリセットするには、出力レベルメニューの上部にあるリセットボタンをクリックしてください。



Converters Setupの「Audio」タブでオーディオレベルを調整します。

## Mini Converter SDI to Audio ブロック図



## Mini Converter SDI to Audio 4K

Mini Converter SDI to Audio 4Kは、あらゆるSDIビデオ接続から4チャンネルのオーディオをデエンベッドして、4チャンネルのアナログオーディオまたは8チャンネルのAES/EBUデジタルオーディオに出力。オーディオミキサー、アナログデッキ、リファレンスモニターなどのオーディオ機器に出力できます。コンバーターのSDI出力にもう1台のMini Converter SDI to Audio 4Kをデージーチェーン接続することで、追加のSDIオーディオチャンネルをデエンベッドできます。



## 接続

- 1 **チャンネル1アナログまたはチャンネル1&2 AES/EBU (CH 1 ANALOG or CH 1 & 2 AES/EBU)**  
バランスアナログオーディオチャンネル1、またはAES/EBUデジタルオーディオチャンネル1/2出力用の1/4インチジャックコネクタ。
- 2 **チャンネル2アナログまたはチャンネル3&4 AES/EBU (CH 2 ANALOG or CH 3 & 4 AES/EBU)**  
バランスアナログオーディオチャンネル2、またはAES/EBUデジタルオーディオチャンネル3/4出力用の1/4インチジャックコネクタ。
- 3 **チャンネル3アナログまたはチャンネル5&6 AES/EBU (CH 3 ANALOG or CH 5 & 6 AES/EBU)**  
バランスアナログオーディオチャンネル3、またはAES/EBUデジタルオーディオチャンネル5/6出力用の1/4インチジャックコネクタ。
- 4 **チャンネル4アナログまたはチャンネル7&8 AES/EBU (CH 4 ANALOG or CH 7 & 8 AES/EBU)**  
バランスアナログオーディオチャンネル4、またはAES/EBUデジタルオーディオチャンネル7/8出力用の1/4インチジャックコネクタ。

## 5 MINI-B USBポート

Mac OS XあるいはWindowsコンピューターでConverters Setupソフトウェアに接続。USBポートを使ってMini Converterの内部ソフトウェアアップデートも可能です。

## 6 SDI出力 (SDI OUT)

ループスルーSDIビデオ出力用のBNCコネクタ。

## 7 代替SDI入力 (ALT SDI IN)

バックアップオプション用のリダンダントSDI入力。SDI入力と代替SDI入力をどちらも使用すると、SDI入力信号に問題が生じた際に代替SDI入力に切り替わります。「SDI LOCK」のLEDが点滅し、コンバーターが「ALT SDI IN」の入力に切り替わったことを表示します。

## 8 SDI入力 (SDI IN)

主要SDI入力。

## 9 電源 +12V (POWER +12V)

12ボルトの電源入力。

# スイッチ

Mini Converter SDI to Audio 4Kのスイッチは、以下の設定が可能です：

### スイッチ 8 - アナログオーディオ、AES/EBUオーディオ

スイッチ 8をOFFにするとバランスアナログオーディオ、ONにするとデジタルAES/EBUオーディオ出力が選択されます。

### スイッチ 6 - オーディオグループ Bit 1

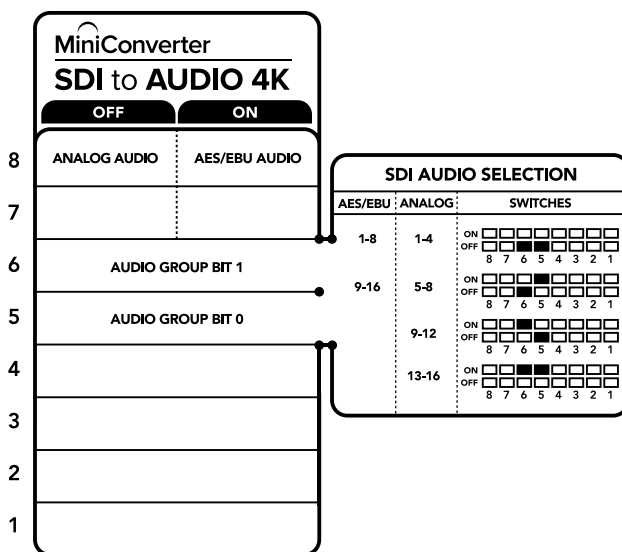
スイッチ 6、5はグループ化されており、ON/OFFで4パターンのコンビネーションを設定できます。これにより、4セットの4アナログオーディオチャンネル、または2セットの8 AES/EBUオーディオチャンネルをSDI入力からエンベッドできます。

### スイッチ 5 - オーディオグループ Bit 0

スイッチ 6の説明を参照してください。

### スイッチ設定の例

様々なスイッチ設定を試してみてください。スイッチ8、6、5をOFFにして、アナログオーディオチャンネル1-4を選択してください。



コンバーターの底に、コンバージョン設定を変更するのに必要な情報が記載されています。



## オーディオ選択表

アナログオーディオチャンネル	スイッチ 6	スイッチ 5	スイッチダイアグラム
1 ~ 4	OFF	OFF	ON <input type="checkbox"/> <input type="checkbox"/> <input type="checkbox"/> <input type="checkbox"/> <input type="checkbox"/> <input type="checkbox"/> <input type="checkbox"/> <input type="checkbox"/> OFF <input type="checkbox"/> <input type="checkbox"/> <input checked="" type="checkbox"/> <input checked="" type="checkbox"/> <input checked="" type="checkbox"/> <input checked="" type="checkbox"/> <input type="checkbox"/> <input type="checkbox"/> 8 7 6 5 4 3 2 1
5 ~ 8	OFF	ON	ON <input type="checkbox"/> <input type="checkbox"/> <input type="checkbox"/> <input type="checkbox"/> <input checked="" type="checkbox"/> <input checked="" type="checkbox"/> <input checked="" type="checkbox"/> <input checked="" type="checkbox"/> OFF <input type="checkbox"/> <input type="checkbox"/> <input checked="" type="checkbox"/> <input checked="" type="checkbox"/> <input checked="" type="checkbox"/> <input checked="" type="checkbox"/> <input type="checkbox"/> <input type="checkbox"/> 8 7 6 5 4 3 2 1
9 ~ 12	ON	OFF	ON <input checked="" type="checkbox"/> <input checked="" type="checkbox"/> <input checked="" type="checkbox"/> <input checked="" type="checkbox"/> <input type="checkbox"/> <input type="checkbox"/> <input type="checkbox"/> <input type="checkbox"/> OFF <input type="checkbox"/> <input type="checkbox"/> <input checked="" type="checkbox"/> <input checked="" type="checkbox"/> <input checked="" type="checkbox"/> <input checked="" type="checkbox"/> <input type="checkbox"/> <input type="checkbox"/> 8 7 6 5 4 3 2 1
13 ~ 16	ON	ON	ON <input checked="" type="checkbox"/> <input checked="" type="checkbox"/> <input checked="" type="checkbox"/> <input checked="" type="checkbox"/> <input checked="" type="checkbox"/> <input checked="" type="checkbox"/> <input checked="" type="checkbox"/> <input checked="" type="checkbox"/> OFF <input type="checkbox"/> <input type="checkbox"/> <input checked="" type="checkbox"/> <input checked="" type="checkbox"/> <input checked="" type="checkbox"/> <input checked="" type="checkbox"/> <input type="checkbox"/> <input type="checkbox"/> 8 7 6 5 4 3 2 1

AES/EBUチャンネル	スイッチ 6	スイッチ 5	スイッチダイアグラム
1 ~ 8	OFF	OFF	ON <input type="checkbox"/> <input type="checkbox"/> <input type="checkbox"/> <input type="checkbox"/> <input type="checkbox"/> <input type="checkbox"/> <input type="checkbox"/> <input type="checkbox"/> OFF <input type="checkbox"/> <input type="checkbox"/> <input checked="" type="checkbox"/> <input checked="" type="checkbox"/> <input checked="" type="checkbox"/> <input checked="" type="checkbox"/> <input type="checkbox"/> <input type="checkbox"/> 8 7 6 5 4 3 2 1
9 ~ 16	OFF	ON	ON <input type="checkbox"/> <input type="checkbox"/> <input type="checkbox"/> <input type="checkbox"/> <input checked="" type="checkbox"/> <input checked="" type="checkbox"/> <input checked="" type="checkbox"/> <input checked="" type="checkbox"/> OFF <input type="checkbox"/> <input type="checkbox"/> <input checked="" type="checkbox"/> <input checked="" type="checkbox"/> <input checked="" type="checkbox"/> <input checked="" type="checkbox"/> <input type="checkbox"/> <input type="checkbox"/> 8 7 6 5 4 3 2 1

## Blackmagic Converters Setup設定

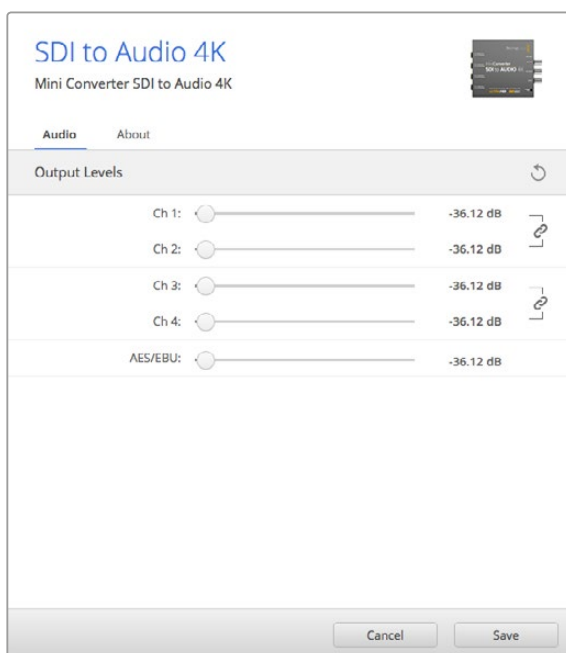
Converters Setup Utility を使って設定の変更や、Mini Converterソフトウェアのアップデートができます。「Audio」、「About」タブを切り替えることで、これらの設定にアクセスできます。

「About」タブに関する詳細は、同マニュアルの「設定の変更」セクションに記載されています。

Mini Converter SDI to Audio 4Kの「Audio」タブには以下の設定が含まれます。

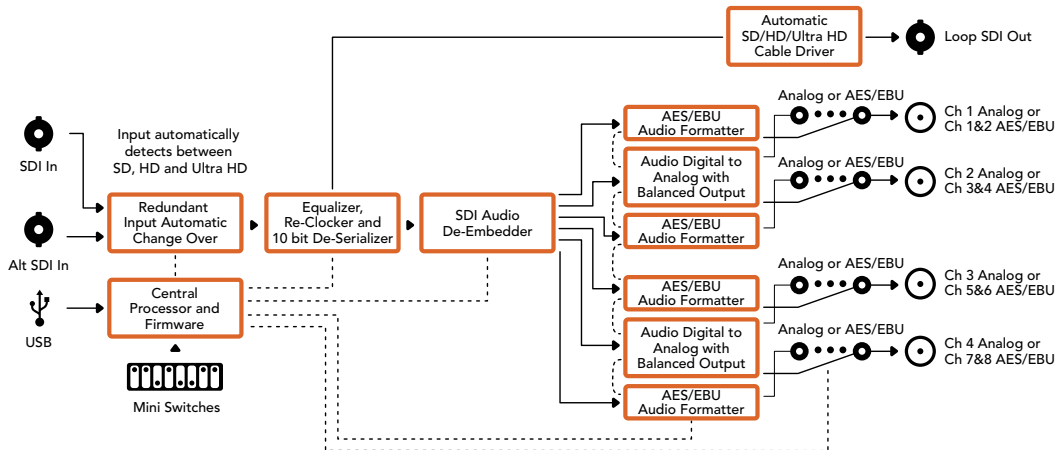
### 出力レベルメニュー (Output Levels)

同メニューではオーディオ出力のゲインを調整できます。オーディオレベルの調整は、各チャンネルごとに行うことも、スライダー横のリンクアイコンをクリックして同時に行うこともできます。すべてのオーディオレベルを0dBにリセットするには、出力レベルメニューの上部にあるリセットボタンをクリックしてください。



Converters Setupの「Audio」タブでアナログオーディオレベルを調整します。

## Mini Converter SDI to Audio 4K ブロック図



## Mini Converter Audio to SDI

Mini Converter Audio to SDIは、4チャンネルのアナログオーディオ、または8チャンネルのAES/EBUデジタルオーディオをあらゆるSDIビデオ接続にエンベッドします。Mini Converter Audio to SDIを使用すれば、オーディオミキサーやアナログデッキなどの機器から、SDIビデオインターフェースへとオーディオをエンベッドして、SDIルーターやデッキで使用できます。コンバーターのSDI出力にもう1台のMini Converter Audio to SDIをデジチェーン接続することで、追加のSDIオーディオチャンネルをエンベッドできます。



## 接続

- 1 **チャンネル1アナログまたはチャンネル1&2 AES/EBU (CH 1 ANALOG or CH 1 & 2 AES/EBU)**  
バランスアナログオーディオチャンネル1、またはAES/EBUデジタルオーディオチャンネル1/2入力用の1/4インチジャックコネクタ。
- 2 **チャンネル2アナログまたはチャンネル3&4 AES/EBU (CH 2 ANALOG or CH 3 & 4 AES/EBU)**  
バランスアナログオーディオチャンネル2、またはAES/EBUデジタルオーディオチャンネル3/4入力用の1/4インチジャックコネクタ。
- 3 **チャンネル3アナログまたはチャンネル5&6 AES/EBU (CH 3 ANALOG or CH 5 & 6 AES/EBU)**  
バランスアナログオーディオチャンネル3、またはAES/EBUデジタルオーディオチャンネル5/6入力用の1/4インチジャックコネクタ。
- 4 **チャンネル4アナログまたはチャンネル7&8 AES/EBU (CH 4 ANALOG or CH 7 & 8 AES/EBU)**  
バランスアナログオーディオチャンネル4、またはAES/EBUデジタルオーディオチャンネル7/8入力用の1/4インチジャックコネクタ。
- 5 **Mini-B USBポート**  
Mac OS XあるいはWindowsコンピューターでConverters Setupソフトウェアに接続。USBポートを使ってMini Converterの内部ソフトウェアアップデートも可能です。

- 6 SDI出力 (SDI OUT)**  
ループスルーSDIビデオ出力用のBNCコネクタ。
- 7 代替SDI入力 (ALT SDI IN)**  
バックアップオプション用のリダントSDI入力。SDI入力と代替SDI入力をどちらも使用すると、SDI入力信号に問題が生じた際に代替SDI入力に切り替わります。「SDI LOCK」のLEDが点滅し、コンバーターが「ALT SDI IN」の入力に切り替わったことを表示します。
- 8 SDI入力 (SDI IN)**  
主要SDI入力。
- 9 電源 +12V (POWER +12V)**  
12ボルトの電源入力。

## スイッチ

Mini Converter Audio to SDIのスイッチは、以下の設定が可能です：

### スイッチ 8 - アナログオーディオ、AES/EBUオーディオ

スイッチ 8をOFFにするとバランスアナログオーディオ、ONにするとデジタルAES/EBUオーディオ入力が選択されます。

### スイッチ 7 - サンプルレートコンバージョンのオン/オフ

スイッチ 7をOFFにするとサンプルレートコンバーターが有効になり、ONにすると無効になります。オーディオがテレビ用の正確なサンプルレートでエンベッドされるよう、このスイッチは常にONにしておくとういでしょう。

スイッチ 7がOFFになっている場合、同設定は、アナログあるいはAES/EBUオーディオのサンプルレートを変換し、48 kHzのサンプルレートでオーディオをSDI出力にエンベッドします。スイッチ7をONにすると、サンプルレートコンバージョンが無効になり、オーディオは入力オーディオのままのサンプルレートで出力されます。

### スイッチ 6 - オーディオグループ Bit 1

スイッチ 6、5はグループ化されており、ON/OFFで4パターンのコンビネーションを設定できます。4パターンのコンビネーションを設定できることで、4アナログチャンネルまたは8 AES/EBUオーディオチャンネルをSDI出力にエンベッドできます。

### スイッチ 5 - オーディオグループ Bit 0

スイッチ 6の説明を参照してください。

## オーディオ選択表

アナログオーディオチャンネル	スイッチ 6	スイッチ 5	スイッチダイアグラム
1 ~ 4	OFF	OFF	ON <input type="checkbox"/> <input type="checkbox"/> <input type="checkbox"/> <input type="checkbox"/> <input type="checkbox"/> <input type="checkbox"/> <input type="checkbox"/> <input type="checkbox"/> OFF <input type="checkbox"/> <input type="checkbox"/> <input checked="" type="checkbox"/> <input checked="" type="checkbox"/> <input type="checkbox"/> <input type="checkbox"/> <input type="checkbox"/> <input type="checkbox"/> 8 7 6 5 4 3 2 1
5 ~ 8	OFF	ON	ON <input type="checkbox"/> <input type="checkbox"/> <input checked="" type="checkbox"/> <input checked="" type="checkbox"/> <input type="checkbox"/> <input type="checkbox"/> <input type="checkbox"/> <input type="checkbox"/> OFF <input type="checkbox"/> <input type="checkbox"/> <input type="checkbox"/> <input type="checkbox"/> <input checked="" type="checkbox"/> <input checked="" type="checkbox"/> <input type="checkbox"/> <input type="checkbox"/> 8 7 6 5 4 3 2 1
9 ~ 12	ON	OFF	ON <input type="checkbox"/> <input checked="" type="checkbox"/> <input checked="" type="checkbox"/> <input type="checkbox"/> <input type="checkbox"/> <input type="checkbox"/> <input type="checkbox"/> <input type="checkbox"/> OFF <input type="checkbox"/> <input type="checkbox"/> <input type="checkbox"/> <input checked="" type="checkbox"/> <input checked="" type="checkbox"/> <input type="checkbox"/> <input type="checkbox"/> <input type="checkbox"/> 8 7 6 5 4 3 2 1
13 ~ 16	ON	ON	ON <input type="checkbox"/> <input checked="" type="checkbox"/> <input checked="" type="checkbox"/> <input checked="" type="checkbox"/> <input type="checkbox"/> <input type="checkbox"/> <input type="checkbox"/> <input type="checkbox"/> OFF <input type="checkbox"/> <input type="checkbox"/> <input type="checkbox"/> <input type="checkbox"/> <input checked="" type="checkbox"/> <input checked="" type="checkbox"/> <input type="checkbox"/> <input type="checkbox"/> 8 7 6 5 4 3 2 1
AES/EBUチャンネル	スイッチ 6	スイッチ 5	スイッチダイアグラム
1 ~ 8	OFF	OFF	ON <input type="checkbox"/> <input type="checkbox"/> <input type="checkbox"/> <input type="checkbox"/> <input type="checkbox"/> <input type="checkbox"/> <input type="checkbox"/> <input type="checkbox"/> OFF <input type="checkbox"/> <input type="checkbox"/> <input checked="" type="checkbox"/> <input checked="" type="checkbox"/> <input type="checkbox"/> <input type="checkbox"/> <input type="checkbox"/> <input type="checkbox"/> 8 7 6 5 4 3 2 1
9 ~ 16	OFF	ON	ON <input type="checkbox"/> <input type="checkbox"/> <input checked="" type="checkbox"/> <input checked="" type="checkbox"/> <input type="checkbox"/> <input type="checkbox"/> <input type="checkbox"/> <input type="checkbox"/> OFF <input type="checkbox"/> <input type="checkbox"/> <input type="checkbox"/> <input type="checkbox"/> <input checked="" type="checkbox"/> <input checked="" type="checkbox"/> <input type="checkbox"/> <input type="checkbox"/> 8 7 6 5 4 3 2 1

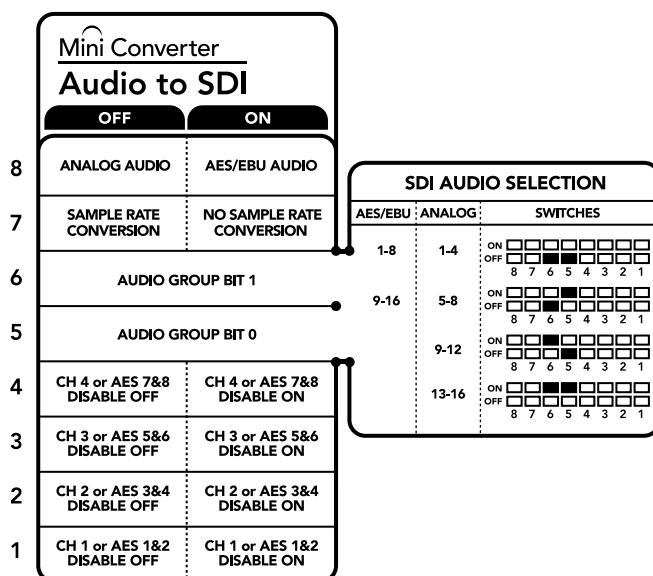
## エンベッドとバイパス (無効化)

オーディオチャンネルを選択したら、スイッチ 4、3、2、1を使ってエンベッド/バイパス (無効化) するチャンネルを選択します。チャンネルを無効化することで、SDI信号に残したいオーディオチャンネルが上書きされることを防げます。

例えば、スイッチ1をONにすることで、アナログオーディオチャンネル1またはAES/EBUチャンネル1および2を無効化できます。スイッチ1をOFFにすると、それらのオーディオチャンネルがエンベッドされます。

### オーディオチャンネルのデエンベッドと無効化

スイッチ	設定	オーディオチャンネル
4	ON	アナログ CH 4、AES/EBU CH 7と8を無効化
	OFF	アナログ CH 4、AES/EBU CH 7と8をエンベッド
3	ON	アナログ CH 3、AES/EBU CH 5と6を無効化
	OFF	アナログ CH 3、AES/EBU CH 5と6をエンベッド
2	ON	アナログ CH 2、AES/EBU CH 3と4を無効化
	OFF	アナログ CH 2、AES/EBU CH 3と4をエンベッド
1	ON	アナログ CH 1、AES/EBU CH 1と2を無効化
	OFF	アナログ CH 1、AES/EBU CH 1と2をエンベッド



コンバーターの底に、コンバージョン設定を変更するのに必要な情報が記載されています。

### スイッチ設定の例:

様々なスイッチ設定を試してみてください。スイッチ8、6、5をOFFにして、アナログオーディオチャンネル1-4を選択してください。

## Blackmagic Converters Setup設定

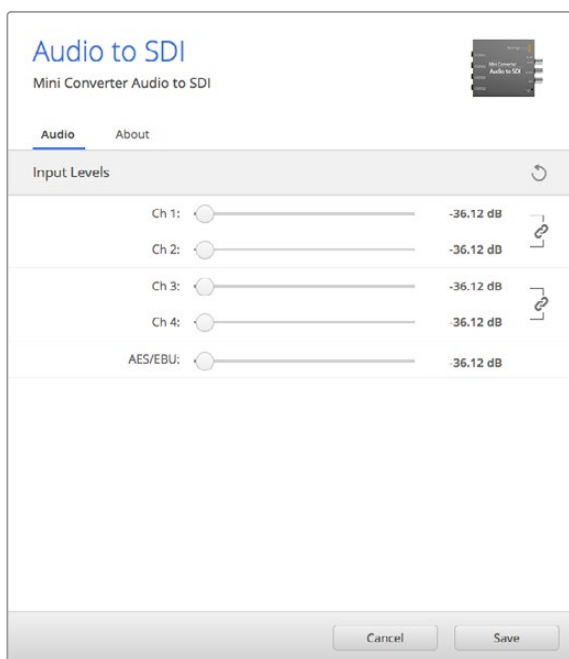
Converters Setup Utility を使って設定の変更や、Mini Converterソフトウェアのアップデートができます。「Audio」、「About」タブを切り替えることで、これらの設定にアクセスできます。

「About」タブに関する詳細は、同マニュアルの「設定の変更」セクションに記載されています。

Mini Converter Audio to SDIの「Audio」タブには以下の設定が含まれます。

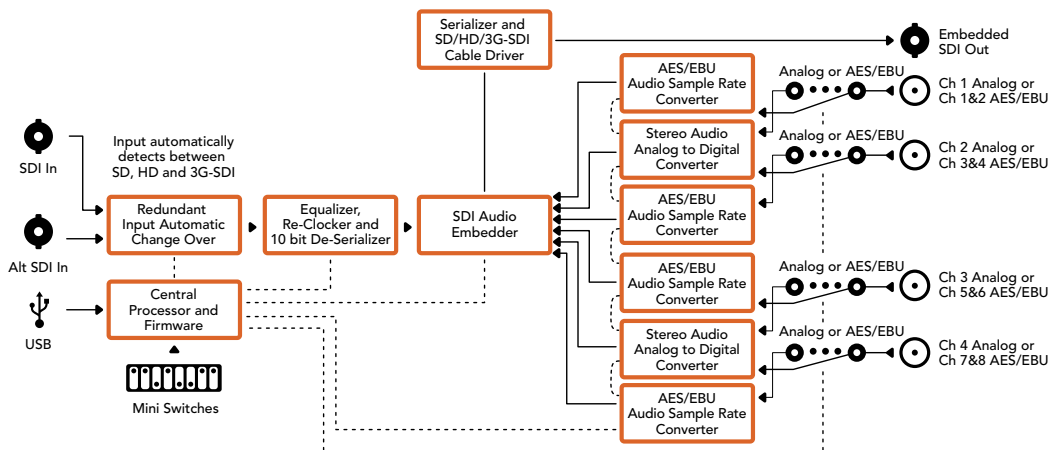
### 入力レベルメニュー (Input Levels)

このメニューではオーディオ入力のゲインを調整できます。オーディオレベルの調整は、各チャンネルごとに行うことも、スライダー横のリンクアイコンをクリックして同時に行うこともできます。すべてのオーディオレベルを0dBにリセットするには、出力レベルメニューの上部にあるリセットボタンをクリックしてください。



Converters Setupの「Audio」タブでアナログオーディオレベルを調整します。

### Mini Converter Audio to SDI ブロック図



## Mini Converter Audio to SDI 4K

Mini Converter Audio to SDI 4Kは、4チャンネルのアナログオーディオ、または8チャンネルのAES/EBUデジタルオーディオをあらゆるSDIビデオ接続にエンベッドします。Mini Converter Audio to SDI 4Kを使用すれば、オーディオミキサーやアナログデッキなどの機器から、SDIビデオインターフェースへとオーディオをエンベッドして、SDIルーターやデッキで使用できます。コンバーターのSDI出力にもう1台のMini Converter Audio to SDI 4Kをデジタイズチェーン接続することで、追加のSDIオーディオチャンネルをエンベッドできます。



### 接続

- 1 チャンネル1アナログまたはチャンネル1&2 AES/EBU (CH 1 ANALOG or CH 1 & 2 AES/EBU)**  
バランスアナログオーディオチャンネル1、またはAES/EBUデジタルオーディオチャンネル1/2入力用の1/4インチジャックコネクタ。
- 2 チャンネル2アナログまたはチャンネル3&4 AES/EBU (CH 2 ANALOG or CH 3 & 4 AES/EBU)**  
バランスアナログオーディオチャンネル2、またはAES/EBUデジタルオーディオチャンネル3/4入力用の1/4インチジャックコネクタ。
- 3 チャンネル3アナログまたはチャンネル5&6 AES/EBU (CH 3 ANALOG or CH 5 & 6 AES/EBU)**  
バランスアナログオーディオチャンネル3、またはAES/EBUデジタルオーディオチャンネル5/6入力用の1/4インチジャックコネクタ。
- 4 チャンネル4アナログまたはチャンネル7&8 AES/EBU (CH 4 ANALOG or CH 7 & 8 AES/EBU)**  
バランスアナログオーディオチャンネル4、またはAES/EBUデジタルオーディオチャンネル7/8入力用の1/4インチジャックコネクタ。
- 5 Mini-B USBポート**  
Mac OS XあるいはWindowsコンピューターでConverters Setupソフトウェアに接続。USBポートを使ってMini Converterの内部ソフトウェアアップデートも可能です。
- 6 SDI出力 (SDI OUT)**  
ループスルーSDIビデオ出力用のBNCコネクタ。
- 7 代替SDI入力 (ALT SDI IN)**  
バックアップオプション用のリダンダントSDI入力。SDI入力と代替SDI入力をどちらも使用すると、SDI入力信号に問題が生じた際に代替SDI入力に切り替わります。「SDI LOCK」のLEDが点滅し、コンバーターが「ALT SDI IN」の入力に切り替わったことを表示します。
- 8 SDI入力 (SDI IN)**  
主要SDI入力。
- 9 電源 +12V (POWER +12V)**  
12ボルトの電源入力。

## スイッチ

Mini Converter Audio to SDI 4Kのスイッチは、以下の設定が可能です：

### スイッチ 8 - アナログオーディオ、AES/EBUオーディオ

スイッチ 8をONにするとバランスアナログオーディオ、ONにするとデジタルAES/EBUオーディオ入力を選択されます。

### スイッチ 7 - サンプルレートコンバージョンのオン/オフ

スイッチ 7をOFFにするとサンプルレートコンバーターが有効になり、ONにすると無効になります。オーディオがテレビ用の正確なサンプルレートでエンベッドされるよう、このスイッチは常にONにしておくとういでしょう。

スイッチ 7がOFFになっている場合、同設定は、アナログあるいはAES/EBUオーディオのサンプルレートを変換し、48 kHzのサンプルレートでオーディオをSDI出力にエンベッドします。スイッチ7をONにすると、サンプルレートコンバージョンが無効になり、オーディオは入力オーディオのままのサンプルレートで出力されます。

### スイッチ 6 - オーディオグループ Bit 1

スイッチ 6、5はグループ化されており、ON/OFFで4パターンのコンビネーションを設定できます。4パターンのコンビネーションを設定できることで、4アナログチャンネルまたは8 AES/EBUオーディオチャンネルをSDI出力にエンベッドできます。

### スイッチ 5 - オーディオグループ Bit 0

スイッチ 6の説明を参照してください。

## オーディオ選択表

アナログオーディオチャンネル	スイッチ 6	スイッチ 5	スイッチダイアグラム
1 ~ 4	OFF	OFF	ON <input type="checkbox"/> <input type="checkbox"/> <input type="checkbox"/> <input type="checkbox"/> <input type="checkbox"/> <input type="checkbox"/> <input type="checkbox"/> <input type="checkbox"/> OFF <input type="checkbox"/> <input type="checkbox"/> <input checked="" type="checkbox"/> <input checked="" type="checkbox"/> <input type="checkbox"/> <input type="checkbox"/> <input type="checkbox"/> <input type="checkbox"/> 8 7 6 5 4 3 2 1
5 ~ 8	OFF	ON	ON <input type="checkbox"/> <input type="checkbox"/> <input checked="" type="checkbox"/> <input checked="" type="checkbox"/> <input type="checkbox"/> <input type="checkbox"/> <input type="checkbox"/> <input type="checkbox"/> OFF <input type="checkbox"/> <input type="checkbox"/> <input checked="" type="checkbox"/> <input checked="" type="checkbox"/> <input type="checkbox"/> <input type="checkbox"/> <input type="checkbox"/> <input type="checkbox"/> 8 7 6 5 4 3 2 1
9 ~ 12	ON	OFF	ON <input type="checkbox"/> <input checked="" type="checkbox"/> <input type="checkbox"/> <input type="checkbox"/> <input type="checkbox"/> <input type="checkbox"/> <input type="checkbox"/> <input type="checkbox"/> OFF <input type="checkbox"/> <input type="checkbox"/> <input checked="" type="checkbox"/> <input checked="" type="checkbox"/> <input type="checkbox"/> <input type="checkbox"/> <input type="checkbox"/> <input type="checkbox"/> 8 7 6 5 4 3 2 1
13 ~ 16	ON	ON	ON <input type="checkbox"/> <input checked="" type="checkbox"/> <input checked="" type="checkbox"/> <input checked="" type="checkbox"/> <input type="checkbox"/> <input type="checkbox"/> <input type="checkbox"/> <input type="checkbox"/> OFF <input type="checkbox"/> <input type="checkbox"/> <input checked="" type="checkbox"/> <input checked="" type="checkbox"/> <input type="checkbox"/> <input type="checkbox"/> <input type="checkbox"/> <input type="checkbox"/> 8 7 6 5 4 3 2 1
AES/EBUチャンネル	スイッチ 6	スイッチ 5	スイッチダイアグラム
1 ~ 8	OFF	OFF	ON <input type="checkbox"/> <input type="checkbox"/> <input type="checkbox"/> <input type="checkbox"/> <input type="checkbox"/> <input type="checkbox"/> <input type="checkbox"/> <input type="checkbox"/> OFF <input type="checkbox"/> <input type="checkbox"/> <input checked="" type="checkbox"/> <input checked="" type="checkbox"/> <input type="checkbox"/> <input type="checkbox"/> <input type="checkbox"/> <input type="checkbox"/> 8 7 6 5 4 3 2 1
9 ~ 16	OFF	ON	ON <input type="checkbox"/> <input type="checkbox"/> <input checked="" type="checkbox"/> <input checked="" type="checkbox"/> <input type="checkbox"/> <input type="checkbox"/> <input type="checkbox"/> <input type="checkbox"/> OFF <input type="checkbox"/> <input type="checkbox"/> <input checked="" type="checkbox"/> <input checked="" type="checkbox"/> <input type="checkbox"/> <input type="checkbox"/> <input type="checkbox"/> <input type="checkbox"/> 8 7 6 5 4 3 2 1

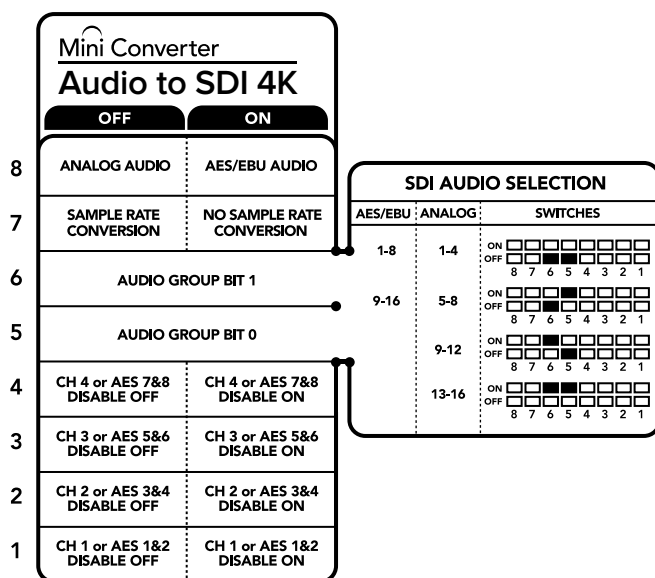
## エンベッドとバイパス (無効化)

オーディオチャンネルを選択したら、スイッチ 4、3、2、1を使ってエンベッド/バイパス (無効化) するチャンネルを選択します。チャンネルを無効化することで、SDI信号に残したいオーディオチャンネルが上書きされることを防げます。

例えば、スイッチ1をONにすることで、アナログオーディオチャンネル1またはAES/EBUチャンネル1および2を無効化できます。スイッチ1をOFFにすると、それらのオーディオチャンネルがエンベッドされます。

### オーディオチャンネルのデエンベッドと無効化

スイッチ	設定	オーディオチャンネル
4	ON	アナログ CH 4、AES/EBU CH 7と8を無効化
	OFF	アナログ CH 4、AES/EBU CH 7と8をエンベッド
3	ON	アナログ CH 3、AES/EBU CH 5と6を無効化
	OFF	アナログ CH 3、AES/EBU CH 5と6をエンベッド
2	ON	アナログ CH 2、AES/EBU CH 3と4を無効化
	OFF	アナログ CH 2、AES/EBU CH 3と4をエンベッド
1	ON	アナログ CH 1、AES/EBU CH 1と2を無効化
	OFF	アナログ CH 1、AES/EBU CH 1と2をエンベッド



コンバーターの底に、コンバージョン設定を変更するのに必要な情報が記載されています。

### スイッチ設定の例

様々なスイッチ設定を試してみてください。スイッチ8、6、5をOFFにして、アナログオーディオチャンネル1-4を選択してください。



## Blackmagic Converters Setup設定

Converters Setup Utilityを使って設定の変更や、Mini Converterソフトウェアのアップデートができます。

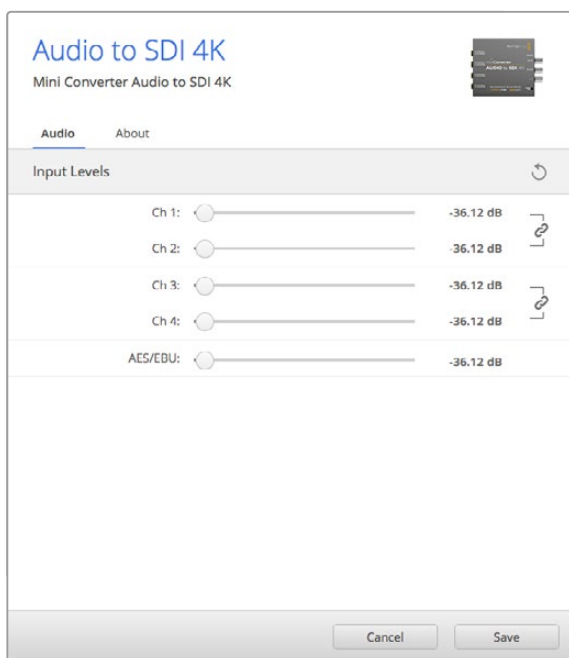
「Audio」、「About」タブを切り替えることで、これらの設定にアクセスできます。

「About」タブに関する詳細は、同マニュアルの「設定の変更」セクションに記載されています。

Mini Converter Audio to SDI 4Kの「Audio」タブには以下の設定が含まれます。

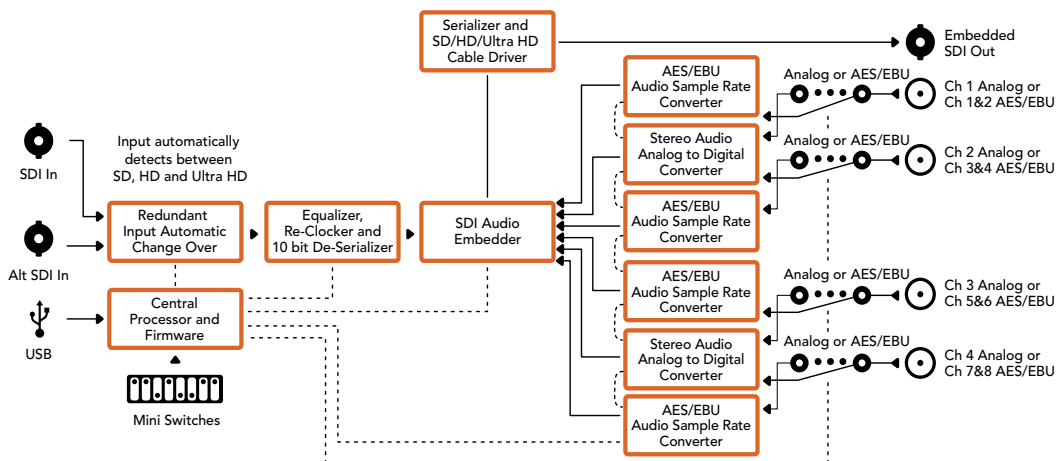
### 入力レベルメニュー (Input Levels)

このメニューではオーディオ入力のゲインを調整できます。オーディオレベルの調整は、各チャンネルごとに行うことも、スライダー横のリンクアイコンをクリックして同時に行うこともできます。すべてのオーディオレベルを0dBにリセットするには、出力レベルメニューの上部にあるリセットボタンをクリックしてください。



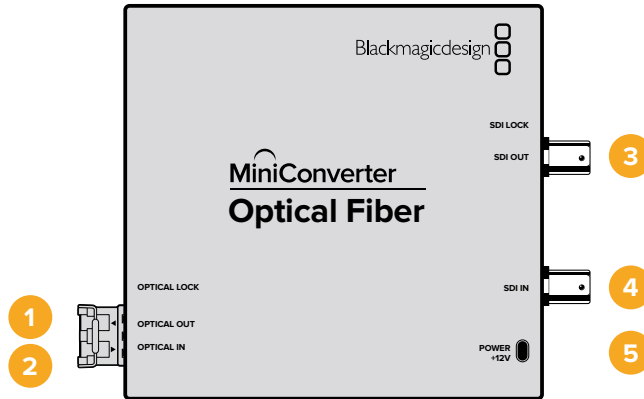
Converters Setupの「Audio」タブでアナログオーディオレベルを調整します。

### Mini Converter Audio to SDI 4K ブロック図



## Mini Converter Optical Fiber

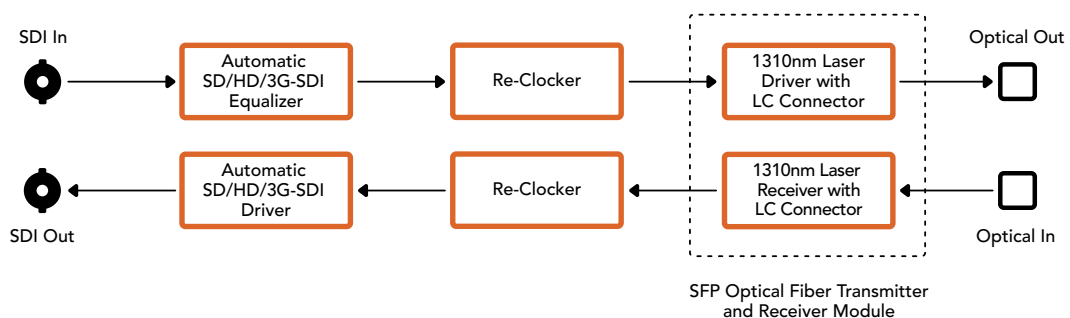
Mini Converter Optical Fiberでは、SDIから光ファイバー、光ファイバーからSDIへの同時変換が可能です。Mini Converter Optical Fiberは、SD/HD/3G-SDIビデオフォーマット間の切り替えを自動で行います。変換は各方向で完全に独立して実行されます。従来のSDIケーブルで対応できない長距離間でSDI信号を送受信する必要がある場合は、このコンバーターを使用してください。同軸SDIケーブルでは90mほどしか送信できないSDビデオを、光ファイバーでは45kmまで送信できます。3G-SDIも25kmまで送信できます！



## 接続

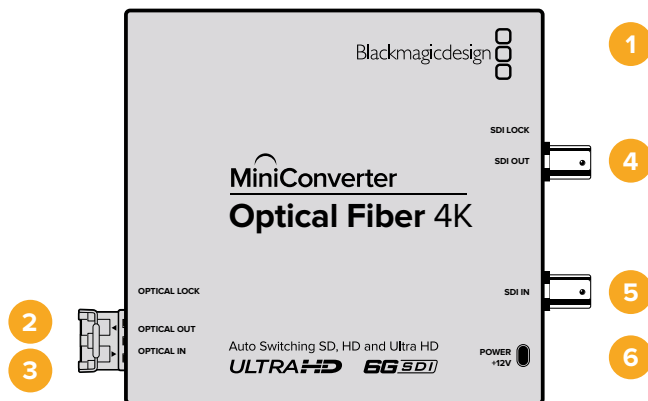
- 1 光出力 (Optical Out)**  
光ファイバー出力。LC端子のシングルモード光ファイバーケーブルをサポート。
- 2 光入力 (Optical In)**  
光ファイバー入力。LC端子のシングルモード光ファイバーケーブルをサポート。
- 3 3G-SDI出力 (SDI Out)**  
SDIビデオ出力のBNCコネクタ。従来のSDI機器との接続に使用。
- 4 3G-SDI入力 (SDI In)**  
SDIビデオ入力用のBNCコネクタ。従来のSDI機器との接続に使用。
- 5 電源+12V (POWER +12V)**  
12ボルトの電源入力。

## Mini Converter Optical Fiber ブロック図



## Mini Converter Optical Fiber 4K

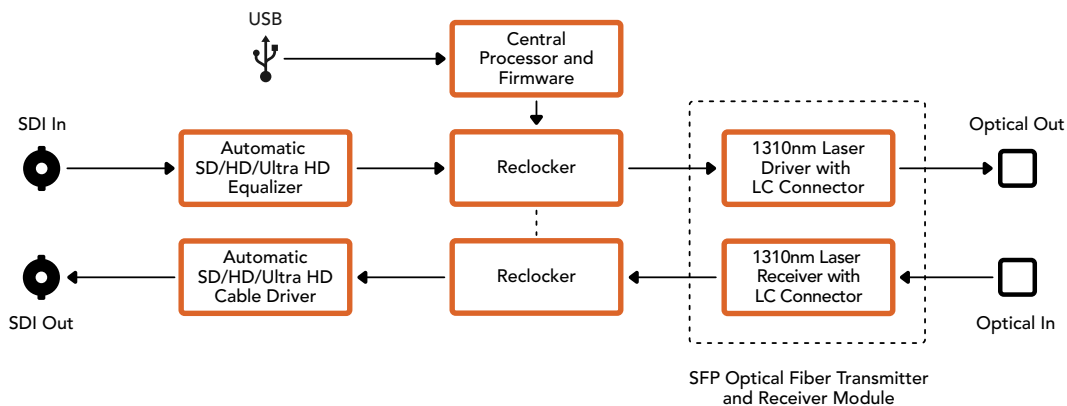
SD/HDおよびシングルリンク6G-SDIから光ファイバー、光ファイバーからSD/HDおよび6G-SDIへの同時変換が可能です。Mini Converter Optical Fiber 4Kは、SD/HD/3G/6G-SDIビデオフォーマット間の切り替えを自動で行います。変換は各方向で完全に独立して実行されます。従来のSDIケーブルで対応できない長距離間でSDI信号を送受信する必要がある場合は、このコンバーターを使用してください。同軸SDIケーブルでは90mほどしか送信できないSDビデオを、光ファイバーでは45kmまで送信できます。6G-SDIも12kmまで送信できます！



## 接続

- 1 Mini-B USBポート**  
Mini Converterの内部ソフトウェアのアップデートに使用するUSBポート。
- 2 光出力 (Optical Out)**  
光ファイバー出力。LC端子のシングルモード光ファイバーケーブルをサポート。
- 3 光入力 (Optical In)**  
光ファイバー入力。LC端子のシングルモード光ファイバーケーブルをサポート。
- 4 SDI出力 (SDI Out)**  
SDIビデオ出力のBNCコネクタ。従来のSDI機器との接続に使用。
- 5 SDI入力 (SDI In)**  
SDIビデオ入力用のBNCコネクタ。従来のSDI機器との接続に使用。
- 6 電源+12V (POWER +12V)**  
12ボルトの電源入力。

## Mini Converter Optical Fiber 4K ブロック図



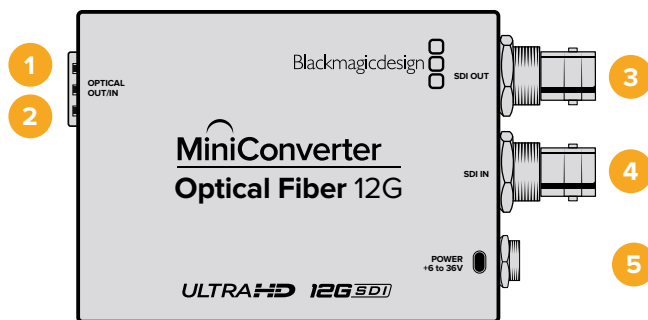
## Mini Converter Optical Fiber 12G

Mini Converter Optical Fiber 12Gは、12G-SDIまでのSD/HDビデオを光ファイバーに、光ファイバーをSDIに同時に変換します。

SFP光ファイバーモジュール用のソケットには、SMPTE準拠のSFP光ファイバーモジュールがぴったり収まり、3G/6G/12G-SDIビデオに対応します。

コンバーターはビデオ入力フォーマットを自動検出し、出力フォーマットをマッチングします。両方向の変換は完全に独立しています。

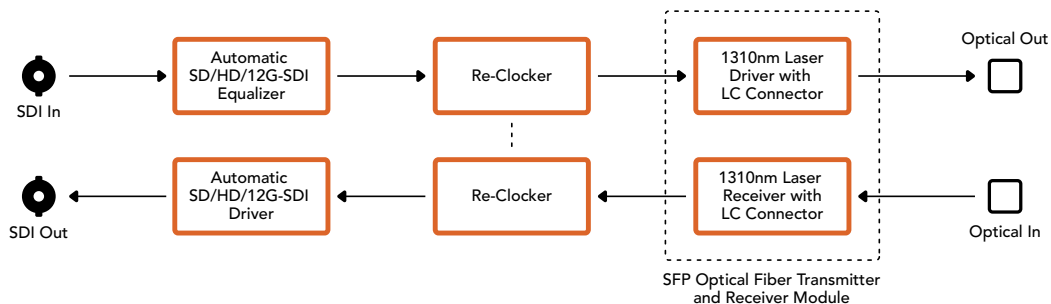
従来のSDIケーブルで対応できない長距離間でSDI信号を送受信する必要がある場合、このコンバーターは非常に便利です。例えば、同軸SDIケーブルでは90mほどしか送信できないSDビデオを、光ファイバーでは45kmまで送信できます。12G-SDIも6kmまで送信できます！



## 接続

- 1 光出力 (Optical OUT/IN)**  
光ファイバー出力。LC端子のシングルモード光ファイバーケーブルをサポート。
- 2 光入力 (Optical OUT/IN)**  
光ファイバー入力。LC端子のシングルモード光ファイバーケーブルをサポート。
- 3 SDI出力 (SDI OUT)**  
SDIビデオ出力用のBNCコネクタ。SDI機器との接続に使用。
- 4 SDI入力 (SDI IN)**  
SDIビデオ入力用のBNCコネクタ。SDI機器との接続に使用。
- 5 電源 +6~36V (POWER +6 to 36V)**  
+6~36ボルトの電源入力。サポートネジにより、ユニットの電源コネクタが誤って外れることを防ぎます。

## Mini Converter Optical Fiber 12G ブロック図

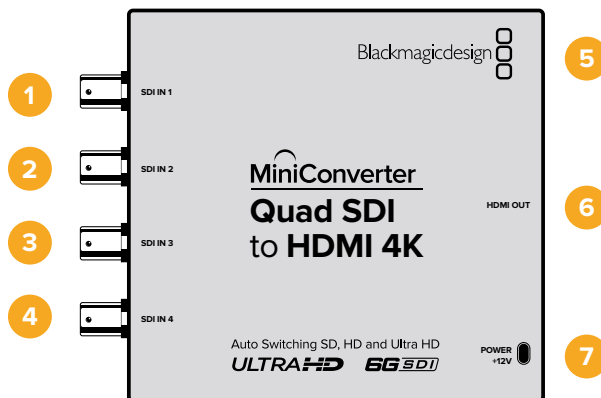


## Mini Converter Quad SDI to HDMI 4K

Mini Converter Quad SDI to HDMI 4Kは、シングルリンク/デュアルリンク/クアッドリンクSDIで接続したUltra HDを、最新のUltra HDプロジェクターやUltra HD対応テレビに1本のHDMIリンクで接続できます。以下の入力もHDMIに変換できます：

- SD-SDI
- HD-SDI
- シングルリンク3G-SDI
- シングルリンク6G-SDI
- デュアルリンクHD-SDI
- デュアルリンク3G-SDI Ultra HD
- クアッドリンクHD-SDI Ultra HD

HDMI出力がHDモニターまたはHDテレビを検出すると、出力信号は自動的にダウコンバートされます。デュアルリンク信号には入力1と2のみ使用してください。



## 接続

対応フォーマットは各SDI入力の下に表記されています：

### 1 SDI入力1 (SDI IN 1)

- SD/HD-SDI
- シングルリンク3G-SDI
- シングルリンク6G-SDI
- デュアルリンクHD-SDI チャンネルA
- デュアルリンク3G-SDI Ultra HD チャンネルA
- クアッドリンクHD-SDI Ultra HD チャンネルA

### 2 SDI入力 2 (SDI IN 2)

- デュアルリンクHD-SDI チャンネルB
- デュアルリンク3G-SDI Ultra HD チャンネルB
- クアッドリンクHD-SDI Ultra HD チャンネルB

### 3 SDI入力 3 (SDI IN 3)

- クアッドリンクHD-SDI Ultra HD チャンネルC

### 4 SDI入力 4 (SDI IN 4)

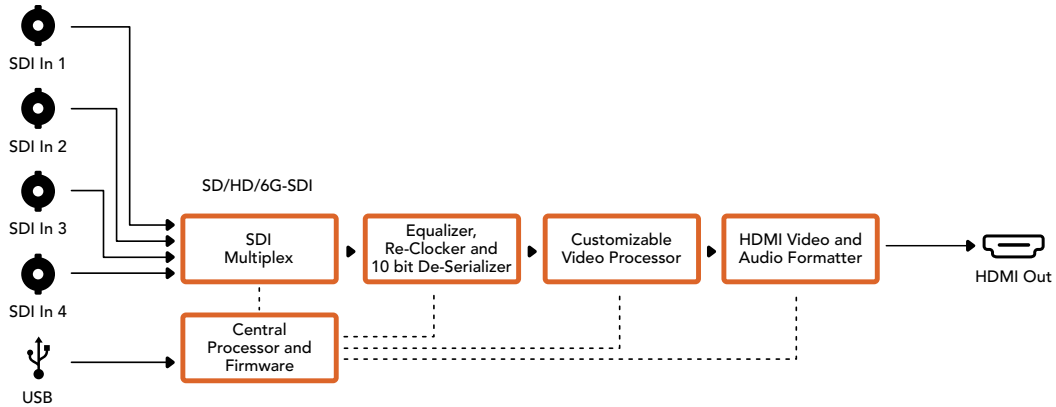
- クアッドリンクHD-SDI Ultra HD チャンネルD

### 5 Mini-B USBポート

Mac OS XあるいはWindowsコンピューターでConverters Setupソフトウェアに接続。USBポートを使ってMini Converterの内部ソフトウェアアップデートも可能です。

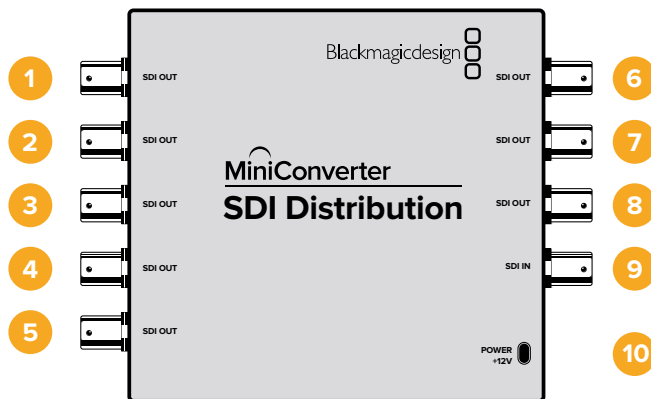
- 6 HDMI**  
HDMIビデオ出力 (タイプA)
- 7 電源+12V (POWER +12V)**  
12ボルトの電源入力。

### Mini Converter Quad SDI to HDMI 4K ブロック図



### Mini Converter SDI Distribution

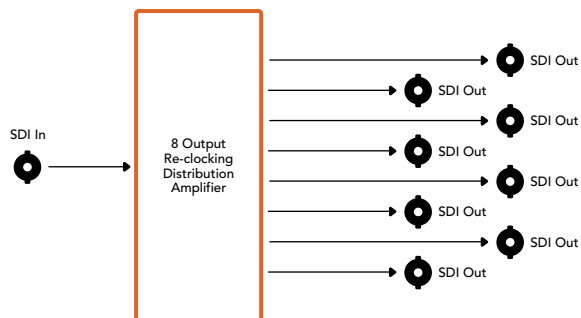
Mini Converter SDI Distributionは、デッキ、モニター、スイッチャーなど8つのSDIデバイスにSDI信号を分配できます。ビデオ入力のフォーマットがSD-SDI、HD-SDI、3G-SDIで切り替わっても、Mini Converter SDI Distributionは8系統のリクロック出力を自動的に切り替えて一致させます。ASI、アンシラリデータ、エンベデッドオーディオフォーマットもサポートされています。



### 接続

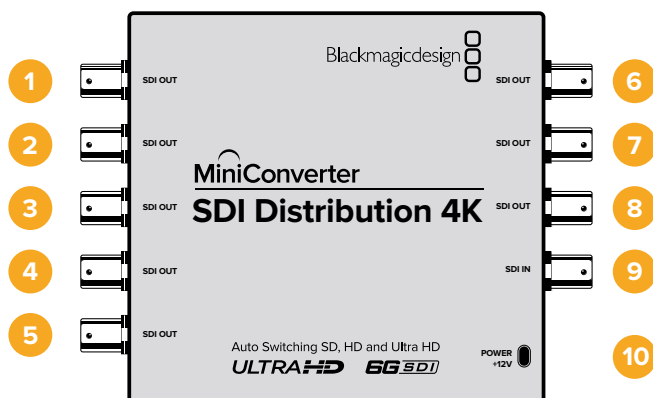
- 1-8 SDI出力 (SDI OUT)**  
SDIビデオ出力用のBNCコネクター。
- 9 SDI入力 (SDI IN)**  
SDI入力。
- 10 電源+12V (POWER +12V)**  
12ボルトの電源入力。

## Mini Converter SDI Distribution 12G ブロック図



## Mini Converter SDI Distribution 4K

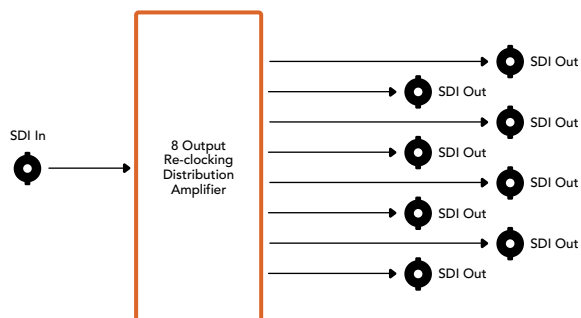
Mini Converter SDI Distribution 4Kは、デッキ、モニター、スイッチャーなど8つのSDIデバイスにSDI信号を分配できます。ビデオ入力のフォーマットがSD/HD/3G/6G-SDIで切り替わっても、Mini Converter SDI Distribution 4Kは8系統のリクロック出力を自動的に切り替えて一致させます。ASI、アンシラリデータ、エンベデッドオーディオフォーマットもサポートされています。



## 接続

- 1-8 SDI出力 (SDI OUT)**  
SDIビデオ出力用のBNCコネクター。
- 9 SDI入力 (SDI IN)**  
SDI入力。
- 10 電源+12V (POWER +12V)**  
12ボルトの電源入力。

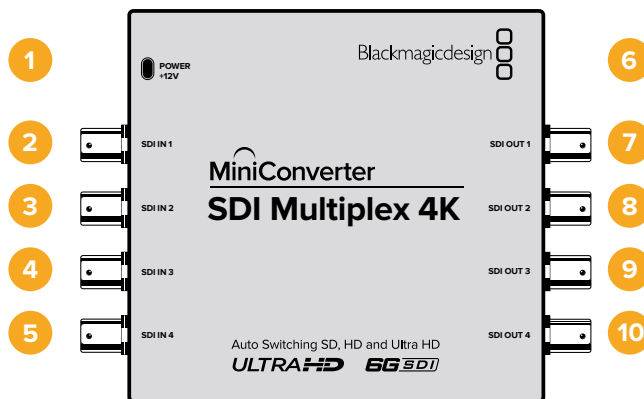
## Mini Converter SDI Distribution 4K ブロック図



## Mini Converter SDI Multiplex 4K

Mini Converter SDI Multiplex 4Kは、以下のコンバージョンを実行します：

- SD/HDおよび6G-SDI信号を全4系統の出力に分配。
- デュアルリンクHD-SDI信号を全4系統の3G-SDIに分配。
- シングルリンク3G-SDIから、デュアルリンクHD-SDI。デュアルリンク出力は出力で各ペアに分配されます。
- シングルリンク6G-SDIから、デュアルリンク3G-SDIまたはクアッドリンク1.5G SDI。
- クアッドリンクHD-SDI Ultra HDから、シングルリンク6G-SDIまたはデュアルリンク3G-SDI Ultra HD。既存のUltra HDソースをデュアルリンクUltra HDディスプレイに接続できます。デュアルリンク出力は出力で各ペアに分配されます。
- デュアルリンク3G-SDIから、シングルリンク6G-SDI。
- デュアルリンク3G-SDI Ultra HDから、クアッドリンクHD-SDI Ultra HD。最新のデュアルリンクUltra HDソースを既存のクアッドリンクUltra HDディスプレイに接続できます。



## 接続

- 1 電源 +12V**
  - 12ボルトの電源入力。
  - 各SDI入力でサポートされているフォーマット：
- 2 SDI入力 1 (SDI IN 1)**
  - SD/HD-SDI
  - シングルリンク3G-SDI
  - シングルリンク6G-SDI
  - デュアルリンクHD-SDI チャンネルA
  - デュアルリンク3G-SDI Ultra HD チャンネルA
  - クアッドリンクHD-SDI Ultra HD チャンネルA
- 3 SDI入力 2 (SDI IN 2)**
  - デュアルリンクHD-SDI チャンネルB
  - デュアルリンク3G-SDI Ultra HD チャンネルB
  - クアッドリンクHD-SDI Ultra HD チャンネルB
- 4 SDI入力 3 (SDI IN 3)**
  - クアッドリンクHD-SDI Ultra HD チャンネルC
- 5 SDI入力 4 (SDI IN 4)**
  - クアッドリンクHD-SDI Ultra HD チャンネルD



## 6 Mini-B USBポート

Mac OS XあるいはWindowsコンピューターでConverters Setupソフトウェアに接続。USBポートを使ってMini Converterの内部ソフトウェアアップデートも可能です。

対応フォーマットは各SDI入力の下に表記されています：

## 7 SDI出力 1 (SDI OUT 1)

- SD/HD-SDI
- シングルリンク3G-SDI
- シングルリンク6G-SDI
- デュアルリンクHD-SDI チャンネルA
- デュアルリンク3G-SDI Ultra HD チャンネルA
- クアッドリンクHD-SDI Ultra HD チャンネルA

## 8 SDI出力 2 (SDI OUT 2)

- SD/HD-SDI
- シングルリンク3G-SDI
- シングルリンク6G-SDI
- デュアルリンクHD-SDI チャンネルB
- デュアルリンク3G-SDI Ultra HD チャンネルB
- クアッドリンクHD-SDI Ultra HD チャンネルB

## 9 SDI出力 3 (SDI OUT 3)

- SD/HD-SDI
- シングルリンク3G-SDI
- シングルリンク6G-SDI
- デュアルリンクHD-SDI チャンネルA
- デュアルリンク3G-SDI Ultra HD チャンネルA
- クアッドリンクHD-SDI Ultra HD チャンネルC

## 10 SDI出力 4 (SDI OUT 4)

- SD/HD-SDI
- シングルリンク3G-SDI
- シングルリンク6G-SDI
- デュアルリンクHD-SDI チャンネルB
- デュアルリンク3G-SDI Ultra HD チャンネルB
- クアッドリンクHD-SDI Ultra HD チャンネルD

## スイッチ

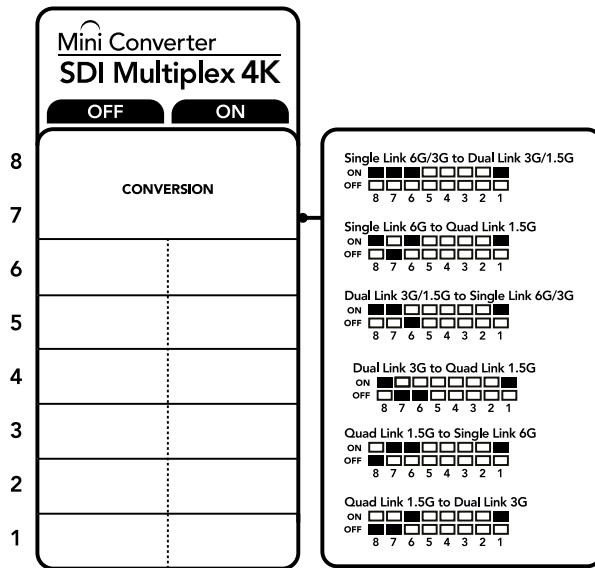
Mini Converter SDI Multiplex 4Kのスイッチは、以下の設定が可能です：

### スイッチ8、7、6 - フォーマット変換

スイッチ8、7、6を組み合わせることで、デュアルリンクHD-SDIからシングルリンクHD-SDI、クアッドリンクUltra HDからシングルリンクUltra HDなどの変換を設定できます。

### スイッチ 1 - 処理 ON/OFF

スイッチ1をOFFにすると、Mini Converter SDI Multiplex 4Kは4系統出力のSD/HD/6G-SDI分配増幅器として機能します。



コンバーターの底に、コンバージョン設定を変更するのに必要な情報が記載されています。

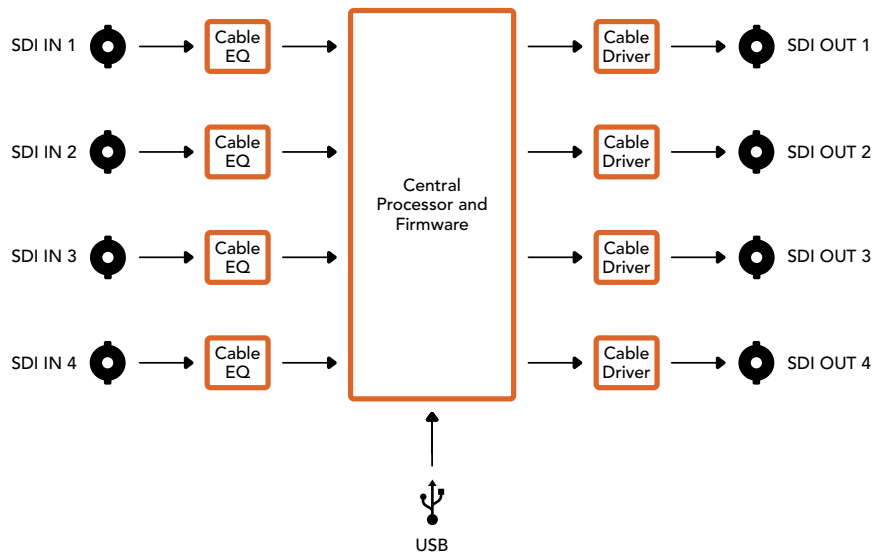
## スイッチ設定の例

クアドリンクUltra HDをデュアルリンクUltra HDに変換するには、スイッチ8をON、スイッチ7をOFFにします。

## SDI接続表

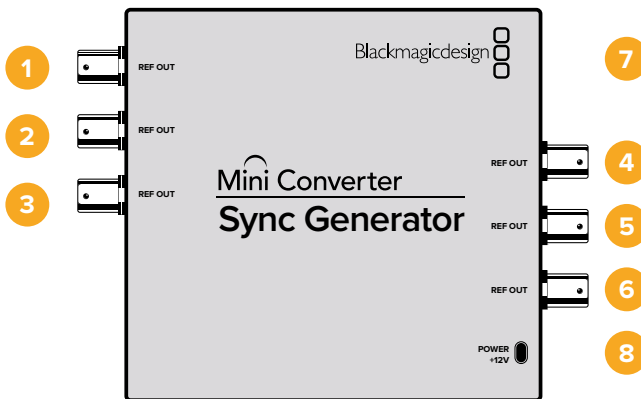
変換	スイッチ 8	スイッチ 7	スイッチ 6	スイッチ 1	スイッチダイアグラム
シングルリンク6G/3G-SDIからデュアルリンク3G/1.5G-SDI	ON	ON	ON	ON	ON <input checked="" type="checkbox"/> <input checked="" type="checkbox"/> <input checked="" type="checkbox"/> <input checked="" type="checkbox"/> <input checked="" type="checkbox"/> <input checked="" type="checkbox"/> <input checked="" type="checkbox"/> <input checked="" type="checkbox"/> OFF <input type="checkbox"/> <input type="checkbox"/> <input type="checkbox"/> <input type="checkbox"/> <input type="checkbox"/> <input type="checkbox"/> <input type="checkbox"/> <input type="checkbox"/>
シングルリンク6G-SDIからクアドリンク1.5G-SDI	ON	OFF	ON	ON	ON <input checked="" type="checkbox"/> <input checked="" type="checkbox"/> <input checked="" type="checkbox"/> <input checked="" type="checkbox"/> <input checked="" type="checkbox"/> <input checked="" type="checkbox"/> <input checked="" type="checkbox"/> <input checked="" type="checkbox"/> OFF <input type="checkbox"/> <input type="checkbox"/> <input type="checkbox"/> <input type="checkbox"/> <input type="checkbox"/> <input type="checkbox"/> <input type="checkbox"/> <input type="checkbox"/>
デュアルリンク3G/1.5G-SDIからシングルリンク6G/3G-SDI	ON	ON	OFF	ON	ON <input checked="" type="checkbox"/> <input type="checkbox"/> <input type="checkbox"/> <input type="checkbox"/> <input type="checkbox"/> <input type="checkbox"/> <input type="checkbox"/> <input type="checkbox"/> OFF <input type="checkbox"/> <input checked="" type="checkbox"/> <input checked="" type="checkbox"/> <input checked="" type="checkbox"/> <input checked="" type="checkbox"/> <input checked="" type="checkbox"/> <input checked="" type="checkbox"/> <input checked="" type="checkbox"/>
デュアルリンク3G-SDIからクアドリンク1.5G-SDI	ON	OFF	OFF	ON	ON <input checked="" type="checkbox"/> <input type="checkbox"/> <input type="checkbox"/> <input type="checkbox"/> <input type="checkbox"/> <input type="checkbox"/> <input type="checkbox"/> <input type="checkbox"/> OFF <input type="checkbox"/> <input checked="" type="checkbox"/> <input checked="" type="checkbox"/> <input checked="" type="checkbox"/> <input checked="" type="checkbox"/> <input checked="" type="checkbox"/> <input checked="" type="checkbox"/> <input checked="" type="checkbox"/>
クアドリンク1.5G-SDIからシングルリンク6G-SDI	OFF	ON	ON	ON	ON <input type="checkbox"/> <input checked="" type="checkbox"/> <input checked="" type="checkbox"/> <input checked="" type="checkbox"/> <input checked="" type="checkbox"/> <input checked="" type="checkbox"/> <input checked="" type="checkbox"/> <input checked="" type="checkbox"/> OFF <input checked="" type="checkbox"/> <input type="checkbox"/> <input type="checkbox"/> <input type="checkbox"/> <input type="checkbox"/> <input type="checkbox"/> <input type="checkbox"/>
クアドリンク1.5G-SDIからデュアルリンク3G-SDI	OFF	OFF	ON	ON	ON <input type="checkbox"/> <input type="checkbox"/> <input checked="" type="checkbox"/> <input checked="" type="checkbox"/> <input checked="" type="checkbox"/> <input checked="" type="checkbox"/> <input checked="" type="checkbox"/> <input checked="" type="checkbox"/> OFF <input checked="" type="checkbox"/> <input checked="" type="checkbox"/> <input type="checkbox"/> <input type="checkbox"/> <input type="checkbox"/> <input type="checkbox"/> <input type="checkbox"/>

## Mini Converter SDI Multiplex 4K ブロック図



## Mini Converter Sync Generator

Mini Converter Sync Generatorは、6系統の水晶発振子による安定したリファレンス出力を搭載しており、ビデオ機器を共通のリファレンス信号にロックできます。Sync GeneratorはHD3値シンクまたはSDブラックバースト信号を生成するため、小さなスタジオや屋外放送にも最適です。



## 接続

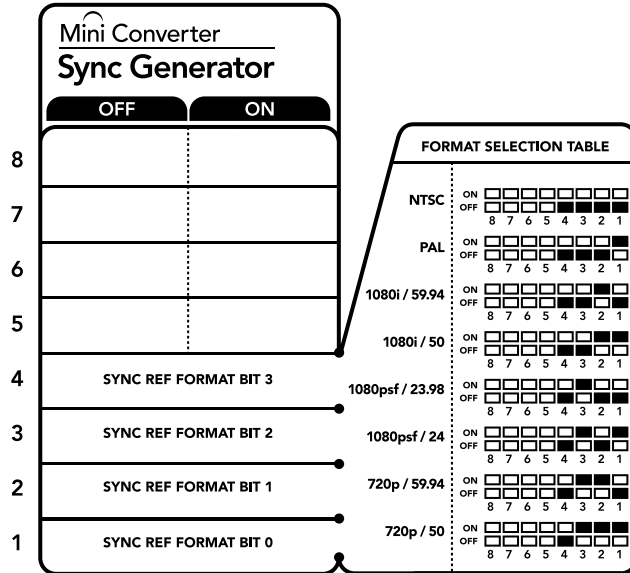
- 1-6 リファレンス出力 (REF OUT)**  
リファレンスビデオ出力のBNCコネクタ。
- 7 Mini-B USBポート**  
Mac OS XあるいはWindowsコンピューターでConverters Setupソフトウェアに接続。  
USBポートを使ってMini Converterの内部ソフトウェアアップデートも可能です。
- 8 電源+12V (POWER +12V)**  
12ボルトの電源入力。

## スイッチ

Mini Converter Sync Generatorのスイッチは、以下の設定が可能です：

### スイッチ 4、3、2、1 – 同期リファレンスフォーマットbit 3、2、1、0

スイッチ4、3、2、1はグループ化されており、以下を含む様々なリファレンスビデオフォーマットから選択できます：



コンバーターの底に、コンバージョン設定を変更するのに必要な情報が記載されています。

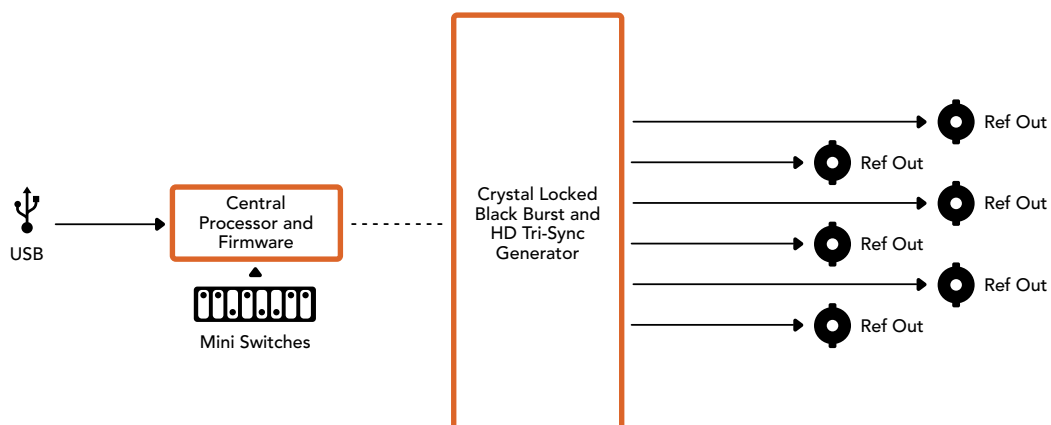
## ビデオフォーマット選択表

ビデオフォーマット	スイッチ 4	スイッチ 3	スイッチ 2	スイッチ 1	スイッチダイアグラム
NTSC	OFF	OFF	OFF	OFF	ON <input type="checkbox"/> <input type="checkbox"/> <input type="checkbox"/> <input type="checkbox"/> <input type="checkbox"/> <input type="checkbox"/> <input type="checkbox"/> <input type="checkbox"/> OFF <input type="checkbox"/> <input type="checkbox"/> <input type="checkbox"/> <input type="checkbox"/> <input type="checkbox"/> <input type="checkbox"/> <input type="checkbox"/> <input type="checkbox"/> 8 7 6 5 4 3 2 1
PAL	OFF	OFF	OFF	ON	ON <input type="checkbox"/> <input type="checkbox"/> <input type="checkbox"/> <input type="checkbox"/> <input type="checkbox"/> <input type="checkbox"/> <input type="checkbox"/> <input checked="" type="checkbox"/> OFF <input type="checkbox"/> <input type="checkbox"/> <input type="checkbox"/> <input type="checkbox"/> <input type="checkbox"/> <input type="checkbox"/> <input type="checkbox"/> <input type="checkbox"/> 8 7 6 5 4 3 2 1
720p50	OFF	ON	ON	ON	ON <input type="checkbox"/> <input type="checkbox"/> <input type="checkbox"/> <input type="checkbox"/> <input checked="" type="checkbox"/> <input checked="" type="checkbox"/> <input checked="" type="checkbox"/> <input checked="" type="checkbox"/> OFF <input type="checkbox"/> <input type="checkbox"/> <input type="checkbox"/> <input type="checkbox"/> <input type="checkbox"/> <input type="checkbox"/> <input type="checkbox"/> <input type="checkbox"/> 8 7 6 5 4 3 2 1
720p59.94	OFF	ON	ON	OFF	ON <input type="checkbox"/> <input type="checkbox"/> <input type="checkbox"/> <input type="checkbox"/> <input checked="" type="checkbox"/> <input checked="" type="checkbox"/> <input checked="" type="checkbox"/> <input type="checkbox"/> OFF <input type="checkbox"/> <input type="checkbox"/> <input type="checkbox"/> <input type="checkbox"/> <input type="checkbox"/> <input type="checkbox"/> <input type="checkbox"/> <input type="checkbox"/> 8 7 6 5 4 3 2 1
720p60	ON	ON	ON	OFF	ON <input checked="" type="checkbox"/> <input checked="" type="checkbox"/> <input checked="" type="checkbox"/> <input checked="" type="checkbox"/> <input type="checkbox"/> <input type="checkbox"/> <input type="checkbox"/> <input type="checkbox"/> OFF <input type="checkbox"/> <input type="checkbox"/> <input type="checkbox"/> <input type="checkbox"/> <input type="checkbox"/> <input type="checkbox"/> <input type="checkbox"/> <input type="checkbox"/> 8 7 6 5 4 3 2 1
1080i50	OFF	OFF	ON	ON	ON <input type="checkbox"/> <input type="checkbox"/> <input type="checkbox"/> <input type="checkbox"/> <input checked="" type="checkbox"/> <input checked="" type="checkbox"/> <input checked="" type="checkbox"/> <input checked="" type="checkbox"/> OFF <input type="checkbox"/> <input type="checkbox"/> <input type="checkbox"/> <input type="checkbox"/> <input type="checkbox"/> <input type="checkbox"/> <input type="checkbox"/> <input type="checkbox"/> 8 7 6 5 4 3 2 1
1080i59.94	OFF	OFF	ON	OFF	ON <input type="checkbox"/> <input type="checkbox"/> <input type="checkbox"/> <input type="checkbox"/> <input checked="" type="checkbox"/> <input checked="" type="checkbox"/> <input checked="" type="checkbox"/> <input type="checkbox"/> OFF <input type="checkbox"/> <input type="checkbox"/> <input type="checkbox"/> <input type="checkbox"/> <input type="checkbox"/> <input type="checkbox"/> <input type="checkbox"/> <input type="checkbox"/> 8 7 6 5 4 3 2 1
1080i60	ON	OFF	OFF	OFF	ON <input checked="" type="checkbox"/> <input type="checkbox"/> <input type="checkbox"/> <input type="checkbox"/> <input type="checkbox"/> <input type="checkbox"/> <input type="checkbox"/> <input type="checkbox"/> OFF <input type="checkbox"/> <input type="checkbox"/> <input type="checkbox"/> <input type="checkbox"/> <input type="checkbox"/> <input type="checkbox"/> <input type="checkbox"/> <input type="checkbox"/> 8 7 6 5 4 3 2 1
1080PsF23.98	OFF	ON	OFF	OFF	ON <input type="checkbox"/> <input type="checkbox"/> <input checked="" type="checkbox"/> <input checked="" type="checkbox"/> <input checked="" type="checkbox"/> <input checked="" type="checkbox"/> <input checked="" type="checkbox"/> <input checked="" type="checkbox"/> OFF <input type="checkbox"/> <input type="checkbox"/> <input type="checkbox"/> <input type="checkbox"/> <input type="checkbox"/> <input type="checkbox"/> <input type="checkbox"/> <input type="checkbox"/> 8 7 6 5 4 3 2 1

ビデオフォーマット	スイッチ 4	スイッチ 3	スイッチ 2	スイッチ 1	スイッチダイアグラム
1080PsF24	OFF	ON	OFF	ON	ON OFF 8 7 6 5 4 3 2 1
1080p23.98	ON	ON	OFF	ON	ON OFF 8 7 6 5 4 3 2 1
1080p24	ON	ON	OFF	OFF	ON OFF 8 7 6 5 4 3 2 1
1080p25	ON	OFF	ON	ON	ON OFF 8 7 6 5 4 3 2 1
1080p29.97	ON	OFF	ON	OFF	ON OFF 8 7 6 5 4 3 2 1
1080p30	ON	OFF	OFF	ON	ON OFF 8 7 6 5 4 3 2 1

**スイッチ 1 - 同期リファレンスフォーマット Bit 0**  
 スイッチ 4の説明を参照してください。

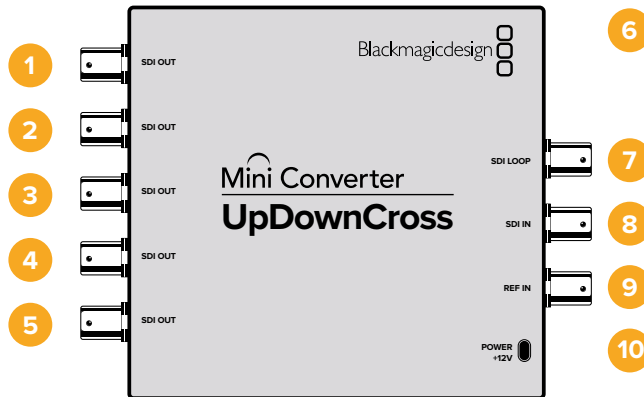
### Mini Converter Sync Generator ブロック図



## Mini Converter UpDownCross

Mini Converter UpDownCrossは、アップ/ダウン/クロスコンバージョン、NTSC/PALスタンダードコンバージョン、フォーマットコンバージョンに対応しています。Mini Converter UpDownCrossは、720pから1080i、PAL/NTSCビデオ規格などのビデオフォーマット間で変換を行います。また、4:3ピラーボックスや16:9ズームなどのアスペクトレシオのアップコンバージョン、レターボックス4:3やアナモルフィック16:9などのダウンコンバージョンも可能です。

コンバージョン処理がOFFになっている場合は、Mini Converter UpDownCrossはSDI分配増幅器として機能します。



## 接続

### 1-5 SDI出力 (SDI OUT)

SDIビデオ出力用のBNCコネクター。

### 6 Mini-B USBポート

Mac OS XあるいはWindowsコンピューターでConverters Setupソフトウェアに接続。USBポートを使ってMini Converterの内部ソフトウェアアップデートも可能です。

### 7 SDIループ (SDI LOOP)

入力ビデオをそのまま出力します。

### 8 SDI入力 (SDI IN)

SDI入力。

### 9 リファレンス入力 (REF IN)

リファレンスビデオ入力。

### 10 電源+12V (POWER +12V)

12ボルトの電源入力。

## スイッチ

Mini Converter UpDownCrossのスイッチは、以下の設定が可能です：

### スイッチ 8 - アスペクトレシオ変換

スイッチ8、7の組み合わせによって、アップ/ダウンコンバージョン時のビデオアスペクトレシオを設定します。例えばダウンコンバージョンを行う際、レターボックスのアスペクトレシオを適用するにはスイッチ8および7をOFFにします。



以下は各アスペクトレシオ変換の説明です：

### アップコンバージョン

- ・ **4:3 ピラーボックス**： HD 16:9フレームの中に4:3 SDを表示します。両側にはブラックバーが表示されます。
- ・ **14:9 ピラーボックス**： 「4:3 ピラーボックス」と「16:9 ズーム」の中間です。SD 4:3イメージがわずかにズームインされ、より多くのイメージが16:9フレームに表示されます。両側のブラックバーは小さくなりますが、上下のイメージがわずかに失われます。
- ・ **16:9 デスクイーズ**： SD 4:3アナモルフィックイメージを、16:9フレームに完全に一致するようにデスクイーズします。元の4:3イメージは一切損なわれません。

### ダウンコンバージョン

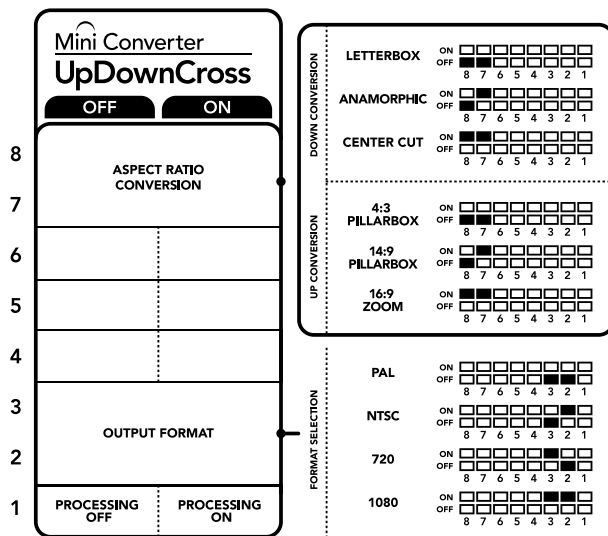
- ・ **レターボックス**： 16:9 HDイメージ全体を4:3 SDフレームに圧縮なしでスケールリングし、上下にブラックバーを表示します。
- ・ **アナモルフィック**： 16:9 HDイメージを水平方向に圧縮して4:3 SDフレームにします。
- ・ **センターカット**： 16:9 HDイメージから4:3 SDフレームを切り取ります。このアスペクト比設定では、16:9イメージの両側部分は破棄されます。

### スイッチ 1 - 処理OFF - 処理ON

スイッチ1をOFFにするとすべての変換がバイパスされるため、ビデオを6つのSDIデバイスに分配する目的でMini Converterを使用できます。

### スイッチ設定の例：

4:3 625i50ビデオを4:3 ピラーボックスアスペクトレシオで1080i50にアップコンバージョンするには、スイッチ8、7をOFFに、スイッチ3、2、1をONに設定します。



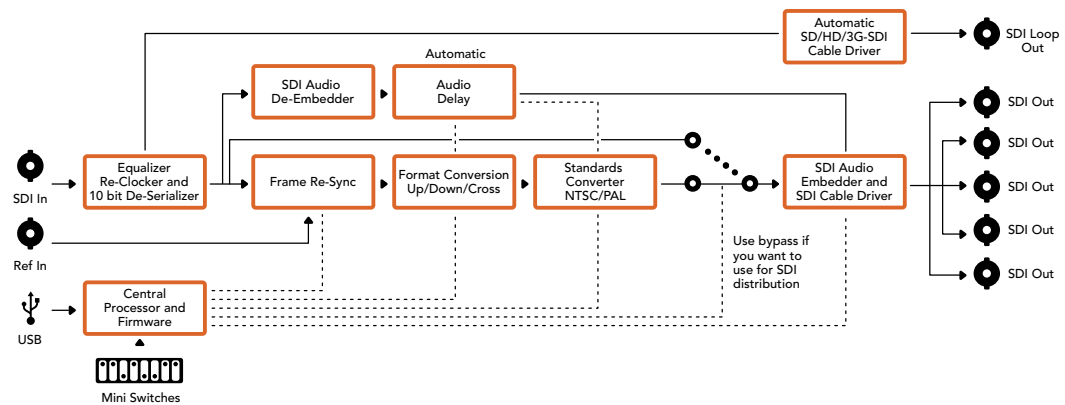
コンバーターの底に、コンバージョン設定を変更するのに必要な情報が記載されています。



## Mini Converter UpDownCross変換表

入力ビデオ	NTSC スイッチ 1、2 - ON	PAL スイッチ 1 - ON	720p スイッチ 1、3 - ON	1080 スイッチ 1、2、3 - ON
525i59.94	525i59.94	625i50	720p59.94	1080i59.94
625i50	525i59.94	625i50	720p50	1080i50
720p50	525i59.94	625i50	720p50	1080i50
720p59.94	525i59.94	625i50	720p59.94	1080i59.94
720p60	525i59.94	625i50	720p60	1080i60
1080PsF23.98	525i59.94	625i50	720p59.94	1080PsF23.98
1080p23.98	525i59.94	625i50	720p59.94	1080p23.98
1080PsF24	525i59.94	625i50	720p50	1080PsF24
1080p24	525i59.94	625i50	720p50	1080p24
1080p25	525i59.94	625i50	720p50	1080p25
1080p29.97	525i59.94	625i50	720p59.94	1080p29.97
1080p30	525i59.94	625i50	720p60	1080p30
1080i50	525i59.94	625i50	720p50	1080i50
1080i59.94	525i59.94	625i50	720p59.94	1080i59.94
1080i60	525i59.94	625i50	720p60	1080i60
1080p50	525i59.94	625i50	720p50	1080p50
1080p59.94	525i59.94	625i50	720p59.94	1080p59.94
1080p60	525i59.94	625i50	720p60	1080p60
2048x1556PsF23.98	525i59.94	625i50	2048x1556PsF23.98	2048x1556PsF23.98
2048x1556PsF24	525i59.94	625i50	2048x1556PsF24	2048x1556PsF24
2048x1556PsF25	525i59.94	625i50	2048x1556PsF25	2048x1556PsF25

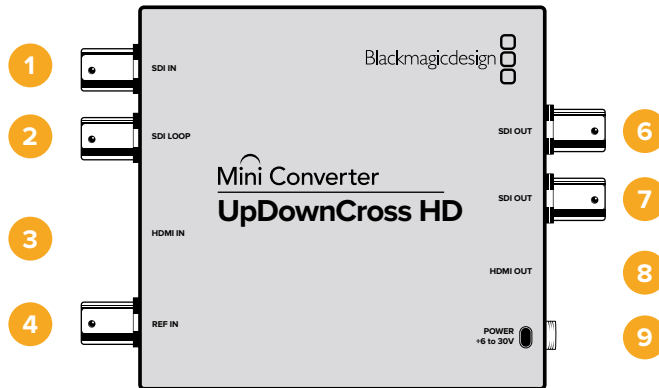
## Mini Converter UpDownCrossブロック図



## Mini Converter UpDownCross HD

Mini Converter UpDownCross HDは、SDIおよびHDMIで、あらゆるSD、HDフォーマットのアップ/ダウンクロスコンバージョンが可能なパワフルなフォーマットコンバーターです。1080p60までのあらゆるSD/HDMIフォーマット、NTSC、PALをサポートし、アップ/ダウン/クロスコンバージョンのアスペクトレシオ・オプションに対応しています。HDMI入力は、コンピューター出力解像度の1024x768、800x600、640x480もサポートします。

コンバージョン処理をOFFに設定した場合、SDI/HDMI出力はループ出力になるので、入力信号を他のHDMI/SDI機器に送信できます。



## 接続

- 1 SDI入力 (SDI IN)**  
SDI入力。ロックされたSDI信号が検出されると、BNCコネクターの隣の小さなLEDが光ります。SDI入力とHDMI入力が接続されている場合、SDI入力が優先されます。
- 2 SDIループ (SDI LOOP)**  
SDI入力を直接ループ出力。
- 3 HDMI入力 (HDMI IN)**  
HDMIビデオ入力 (タイプA)。有効なHDMI入力が検出されると、HDMI入力コネクターの隣の小さなLEDが光ります。
- 4 リファレンス入力 (REF IN)**  
リファレンスビデオ入力。リファレンス入力コネクターの隣の小さなLEDは、以下の状況を意味します：  
**白く点灯** – リファレンス入力が、コンバーターで設定した出力ビデオフォーマットとマッチしています。  
**白く点滅** – リファレンス入力は有効なフォーマットですが、コンバーターで設定した出力ビデオフォーマットとマッチしていません。
- 5 USB-Cポート**  
Mac OS X、WindowsコンピューターのConverters Setupソフトウェアに接続。USBポートを使ってMini Converterの内部ソフトウェアのアップデートも可能です。
- 6-7 SDI出力 (SDI OUT)**  
SDIビデオ出力用のBNCコネクター。
- 8 HDMI出力 (HDMI OUT)**  
HDMIビデオ出力 (タイプA)
- 9 電源 +6~36V (POWER +6 to 36V)**  
+6~36ボルトの電源入力。サポートネジにより、ユニットの電源コネクターが誤って外れることを防ぎます。電源が検出されると、DC入力ジャックの隣の小さなLEDが光ります。

## スイッチ

Mini Converter UpDownCross HDのスイッチは、以下の設定が可能です：

### スイッチ 1 - 処理OFF - 処理ON

スイッチ 1をOFFにするとすべての変換がバイパスされるため、ビデオをSDI/HDMI出力経路で分配する目的で使用できます。

スイッチ 1をOFFにすると、SDI/HDMI出力は、対応する入力にマッチします。

スイッチ 1をONにすると、処理が有効になり、スイッチ 4～8でコンバーターの出力を設定できます。

### スイッチ 2 - Level AおよびLevel Bの3G-SDI

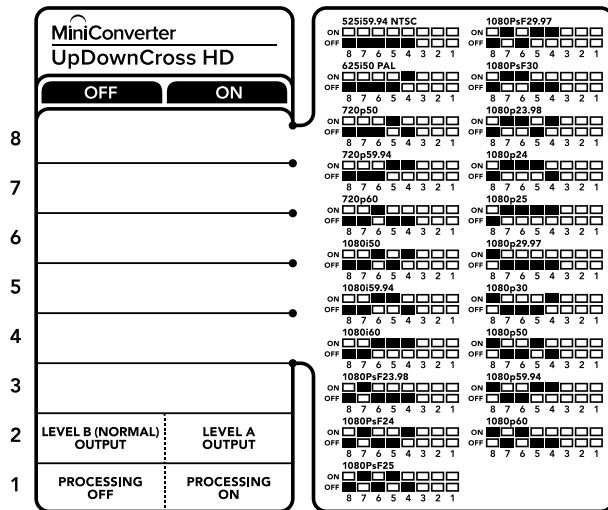
スイッチ 2をOFFにするとコンバーターはLevel Bの3G-SDIを出力します。スイッチ 2をONにするとコンバーターはLevel Aの3G-SDIを出力します。このスイッチで3G-SDI出力のLevel A、Level Bを切り替えることで、他のSDI機器との互換性を得られます。

**作業のこつ** 3G-SDI信号を3G-SDI機器に接続している状態で信号が検出されない場合、接続している機器が異なるSDI Levelを使用している可能性があるため、スイッチ 2の設定を変更してみてください。

### スイッチ 4～8

スイッチ 4～8は、コンバーターの出力信号のフォーマットを設定します。各フォーマットの設定は、ユニットの底面の表に記載されています。

### スイッチ設定の例：



## Mini Converter UpDownCross HD変換表

ビデオフォーマット	スイッチ 8	スイッチ 7	スイッチ 6	スイッチ 5	スイッチ 4	スイッチダイアグラム
525i59.94 NTSC	OFF	OFF	OFF	OFF	OFF	ON <input type="checkbox"/> <input type="checkbox"/> <input type="checkbox"/> <input type="checkbox"/> <input type="checkbox"/> <input type="checkbox"/> <input type="checkbox"/> <input type="checkbox"/> OFF <input checked="" type="checkbox"/> <input checked="" type="checkbox"/> <input checked="" type="checkbox"/> <input checked="" type="checkbox"/> <input checked="" type="checkbox"/> <input checked="" type="checkbox"/> <input checked="" type="checkbox"/> <input checked="" type="checkbox"/> 8 7 6 5 4 3 2 1
625i50 PAL	OFF	OFF	OFF	OFF	ON	ON <input type="checkbox"/> <input type="checkbox"/> <input type="checkbox"/> <input type="checkbox"/> <input type="checkbox"/> <input type="checkbox"/> <input type="checkbox"/> <input type="checkbox"/> OFF <input checked="" type="checkbox"/> <input checked="" type="checkbox"/> <input checked="" type="checkbox"/> <input checked="" type="checkbox"/> <input checked="" type="checkbox"/> <input checked="" type="checkbox"/> <input checked="" type="checkbox"/> <input checked="" type="checkbox"/> 8 7 6 5 4 3 2 1
720p50	OFF	OFF	OFF	ON	OFF	ON <input type="checkbox"/> <input type="checkbox"/> <input type="checkbox"/> <input type="checkbox"/> <input type="checkbox"/> <input type="checkbox"/> <input type="checkbox"/> <input type="checkbox"/> OFF <input checked="" type="checkbox"/> <input checked="" type="checkbox"/> <input checked="" type="checkbox"/> <input checked="" type="checkbox"/> <input checked="" type="checkbox"/> <input checked="" type="checkbox"/> <input checked="" type="checkbox"/> <input checked="" type="checkbox"/> 8 7 6 5 4 3 2 1
720p59.94	OFF	OFF	OFF	ON	ON	ON <input type="checkbox"/> <input type="checkbox"/> <input type="checkbox"/> <input type="checkbox"/> <input type="checkbox"/> <input type="checkbox"/> <input type="checkbox"/> <input type="checkbox"/> OFF <input checked="" type="checkbox"/> <input checked="" type="checkbox"/> <input checked="" type="checkbox"/> <input checked="" type="checkbox"/> <input checked="" type="checkbox"/> <input checked="" type="checkbox"/> <input checked="" type="checkbox"/> <input checked="" type="checkbox"/> 8 7 6 5 4 3 2 1
720p60	OFF	OFF	ON	OFF	ON	ON <input type="checkbox"/> <input type="checkbox"/> <input checked="" type="checkbox"/> <input checked="" type="checkbox"/> <input checked="" type="checkbox"/> <input checked="" type="checkbox"/> <input checked="" type="checkbox"/> <input checked="" type="checkbox"/> OFF <input checked="" type="checkbox"/> <input checked="" type="checkbox"/> <input checked="" type="checkbox"/> <input checked="" type="checkbox"/> <input checked="" type="checkbox"/> <input checked="" type="checkbox"/> <input checked="" type="checkbox"/> 8 7 6 5 4 3 2 1
1080i50	OFF	OFF	ON	OFF	ON	ON <input type="checkbox"/> <input type="checkbox"/> <input type="checkbox"/> <input type="checkbox"/> <input type="checkbox"/> <input type="checkbox"/> <input type="checkbox"/> <input type="checkbox"/> OFF <input checked="" type="checkbox"/> <input checked="" type="checkbox"/> <input checked="" type="checkbox"/> <input checked="" type="checkbox"/> <input checked="" type="checkbox"/> <input checked="" type="checkbox"/> <input checked="" type="checkbox"/> <input checked="" type="checkbox"/> 8 7 6 5 4 3 2 1
1080i59.94	OFF	OFF	ON	ON	OFF	ON <input type="checkbox"/> <input type="checkbox"/> <input checked="" type="checkbox"/> <input checked="" type="checkbox"/> <input checked="" type="checkbox"/> <input checked="" type="checkbox"/> <input checked="" type="checkbox"/> <input checked="" type="checkbox"/> OFF <input checked="" type="checkbox"/> <input checked="" type="checkbox"/> <input checked="" type="checkbox"/> <input checked="" type="checkbox"/> <input checked="" type="checkbox"/> <input checked="" type="checkbox"/> <input checked="" type="checkbox"/> 8 7 6 5 4 3 2 1
1080i60	OFF	OFF	ON	ON	ON	ON <input type="checkbox"/> <input type="checkbox"/> <input checked="" type="checkbox"/> <input checked="" type="checkbox"/> <input checked="" type="checkbox"/> <input checked="" type="checkbox"/> <input checked="" type="checkbox"/> <input checked="" type="checkbox"/> OFF <input checked="" type="checkbox"/> <input checked="" type="checkbox"/> <input checked="" type="checkbox"/> <input checked="" type="checkbox"/> <input checked="" type="checkbox"/> <input checked="" type="checkbox"/> <input checked="" type="checkbox"/> 8 7 6 5 4 3 2 1
1080PsF23.98	OFF	ON	OFF	OFF	OFF	ON <input type="checkbox"/> <input checked="" type="checkbox"/> <input type="checkbox"/> <input type="checkbox"/> <input type="checkbox"/> <input type="checkbox"/> <input type="checkbox"/> <input type="checkbox"/> OFF <input checked="" type="checkbox"/> <input checked="" type="checkbox"/> <input checked="" type="checkbox"/> <input checked="" type="checkbox"/> <input checked="" type="checkbox"/> <input checked="" type="checkbox"/> <input checked="" type="checkbox"/> <input checked="" type="checkbox"/> 8 7 6 5 4 3 2 1
1080PsF24	OFF	ON	OFF	OFF	ON	ON <input type="checkbox"/> <input checked="" type="checkbox"/> <input type="checkbox"/> <input type="checkbox"/> <input type="checkbox"/> <input type="checkbox"/> <input type="checkbox"/> <input type="checkbox"/> OFF <input checked="" type="checkbox"/> <input checked="" type="checkbox"/> <input checked="" type="checkbox"/> <input checked="" type="checkbox"/> <input checked="" type="checkbox"/> <input checked="" type="checkbox"/> <input checked="" type="checkbox"/> <input checked="" type="checkbox"/> 8 7 6 5 4 3 2 1
1080PsF25	OFF	ON	OFF	ON	OFF	ON <input type="checkbox"/> <input checked="" type="checkbox"/> <input type="checkbox"/> <input type="checkbox"/> <input type="checkbox"/> <input type="checkbox"/> <input type="checkbox"/> <input type="checkbox"/> OFF <input checked="" type="checkbox"/> <input checked="" type="checkbox"/> <input checked="" type="checkbox"/> <input checked="" type="checkbox"/> <input checked="" type="checkbox"/> <input checked="" type="checkbox"/> <input checked="" type="checkbox"/> <input checked="" type="checkbox"/> 8 7 6 5 4 3 2 1
1080PsF29.97	OFF	ON	OFF	ON	ON	ON <input type="checkbox"/> <input checked="" type="checkbox"/> <input type="checkbox"/> <input type="checkbox"/> <input type="checkbox"/> <input type="checkbox"/> <input type="checkbox"/> <input type="checkbox"/> OFF <input checked="" type="checkbox"/> <input checked="" type="checkbox"/> <input checked="" type="checkbox"/> <input checked="" type="checkbox"/> <input checked="" type="checkbox"/> <input checked="" type="checkbox"/> <input checked="" type="checkbox"/> <input checked="" type="checkbox"/> 8 7 6 5 4 3 2 1
1080PsF30	OFF	ON	ON	OFF	OFF	ON <input type="checkbox"/> <input checked="" type="checkbox"/> <input type="checkbox"/> <input type="checkbox"/> <input type="checkbox"/> <input type="checkbox"/> <input type="checkbox"/> <input type="checkbox"/> OFF <input checked="" type="checkbox"/> <input checked="" type="checkbox"/> <input checked="" type="checkbox"/> <input checked="" type="checkbox"/> <input checked="" type="checkbox"/> <input checked="" type="checkbox"/> <input checked="" type="checkbox"/> <input checked="" type="checkbox"/> 8 7 6 5 4 3 2 1
1080p23.98	OFF	ON	ON	OFF	ON	ON <input type="checkbox"/> <input checked="" type="checkbox"/> <input type="checkbox"/> <input type="checkbox"/> <input type="checkbox"/> <input type="checkbox"/> <input type="checkbox"/> <input type="checkbox"/> OFF <input checked="" type="checkbox"/> <input checked="" type="checkbox"/> <input checked="" type="checkbox"/> <input checked="" type="checkbox"/> <input checked="" type="checkbox"/> <input checked="" type="checkbox"/> <input checked="" type="checkbox"/> <input checked="" type="checkbox"/> 8 7 6 5 4 3 2 1
1080p24	OFF	ON	ON	ON	OFF	ON <input type="checkbox"/> <input checked="" type="checkbox"/> <input type="checkbox"/> <input type="checkbox"/> <input type="checkbox"/> <input type="checkbox"/> <input type="checkbox"/> <input type="checkbox"/> OFF <input checked="" type="checkbox"/> <input checked="" type="checkbox"/> <input checked="" type="checkbox"/> <input checked="" type="checkbox"/> <input checked="" type="checkbox"/> <input checked="" type="checkbox"/> <input checked="" type="checkbox"/> <input checked="" type="checkbox"/> 8 7 6 5 4 3 2 1
1080p25	OFF	ON	ON	ON	ON	ON <input type="checkbox"/> <input checked="" type="checkbox"/> <input type="checkbox"/> <input type="checkbox"/> <input type="checkbox"/> <input type="checkbox"/> <input type="checkbox"/> <input type="checkbox"/> OFF <input checked="" type="checkbox"/> <input checked="" type="checkbox"/> <input checked="" type="checkbox"/> <input checked="" type="checkbox"/> <input checked="" type="checkbox"/> <input checked="" type="checkbox"/> <input checked="" type="checkbox"/> <input checked="" type="checkbox"/> 8 7 6 5 4 3 2 1
1080p29.97	OFF	ON	ON	ON	OFF	ON <input type="checkbox"/> <input checked="" type="checkbox"/> <input type="checkbox"/> <input type="checkbox"/> <input type="checkbox"/> <input type="checkbox"/> <input type="checkbox"/> <input type="checkbox"/> OFF <input checked="" type="checkbox"/> <input checked="" type="checkbox"/> <input checked="" type="checkbox"/> <input checked="" type="checkbox"/> <input checked="" type="checkbox"/> <input checked="" type="checkbox"/> <input checked="" type="checkbox"/> <input checked="" type="checkbox"/> 8 7 6 5 4 3 2 1
1080p30	ON	OFF	OFF	OFF	ON	ON <input checked="" type="checkbox"/> <input type="checkbox"/> <input type="checkbox"/> <input type="checkbox"/> <input type="checkbox"/> <input type="checkbox"/> <input type="checkbox"/> <input type="checkbox"/> OFF <input checked="" type="checkbox"/> <input checked="" type="checkbox"/> <input checked="" type="checkbox"/> <input checked="" type="checkbox"/> <input checked="" type="checkbox"/> <input checked="" type="checkbox"/> <input checked="" type="checkbox"/> <input checked="" type="checkbox"/> 8 7 6 5 4 3 2 1
1080p50	ON	OFF	OFF	ON	OFF	ON <input checked="" type="checkbox"/> <input type="checkbox"/> <input type="checkbox"/> <input type="checkbox"/> <input type="checkbox"/> <input type="checkbox"/> <input type="checkbox"/> <input type="checkbox"/> OFF <input checked="" type="checkbox"/> <input checked="" type="checkbox"/> <input checked="" type="checkbox"/> <input checked="" type="checkbox"/> <input checked="" type="checkbox"/> <input checked="" type="checkbox"/> <input checked="" type="checkbox"/> <input checked="" type="checkbox"/> 8 7 6 5 4 3 2 1
1080p59.94	ON	OFF	OFF	ON	ON	ON <input checked="" type="checkbox"/> <input type="checkbox"/> <input type="checkbox"/> <input type="checkbox"/> <input type="checkbox"/> <input type="checkbox"/> <input type="checkbox"/> <input type="checkbox"/> OFF <input checked="" type="checkbox"/> <input checked="" type="checkbox"/> <input checked="" type="checkbox"/> <input checked="" type="checkbox"/> <input checked="" type="checkbox"/> <input checked="" type="checkbox"/> <input checked="" type="checkbox"/> <input checked="" type="checkbox"/> 8 7 6 5 4 3 2 1
1080p60	ON	OFF	ON	OFF	OFF	ON <input checked="" type="checkbox"/> <input type="checkbox"/> <input type="checkbox"/> <input type="checkbox"/> <input type="checkbox"/> <input type="checkbox"/> <input type="checkbox"/> <input type="checkbox"/> OFF <input checked="" type="checkbox"/> <input checked="" type="checkbox"/> <input checked="" type="checkbox"/> <input checked="" type="checkbox"/> <input checked="" type="checkbox"/> <input checked="" type="checkbox"/> <input checked="" type="checkbox"/> <input checked="" type="checkbox"/> 8 7 6 5 4 3 2 1

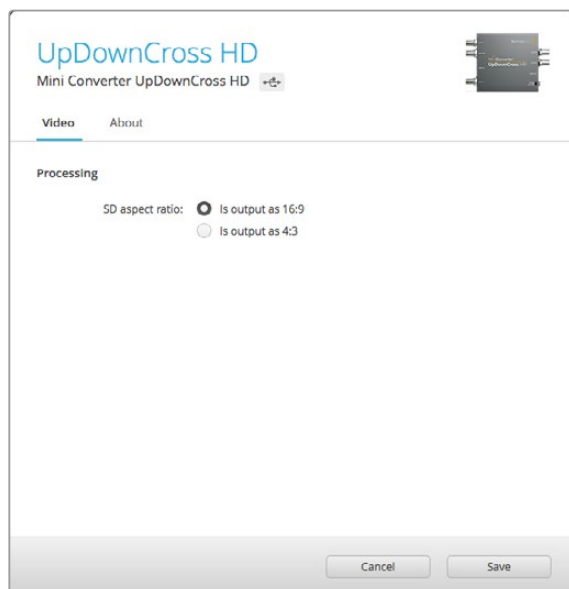
## Converter Setup Utility

Blackmagic Converters Setup Utilityを使って設定の変更や、Mini Converterソフトウェアのアップデートができます。このユーティリティの設定は、Mini Converterの電源を切っても保存されたままです。

「Video」、「Audio」、「About」タブを切り替えることで、これらの設定にアクセスできます。

「About」タブに関する詳細は、同マニュアルの「設定の変更」セクションに記載されています。

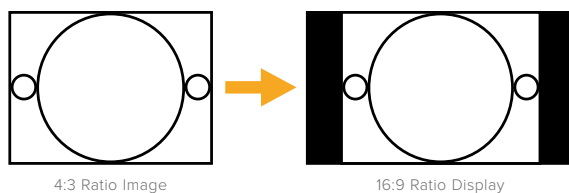
Mini Converter UpDownCross HDの「Video」タブには以下の設定が含まれます。



Converters Setupの「Video」タブでSDのアスペクトレシオを選択。

### SDのアスペクトレシオ

4:3ピラーボックスを出力する場合は、このチェックボックスを非選択にします。16:9のSDを出力する場合は、このチェックボックスを選択します。例えば、入力ビデオがSD 4:3の場合、チェックボックスを非選択にすると、4:3ピラーボックスが出力され、オリジナルの4:3アスペクトレシオが16:9フレームの内部に残ります。入力ビデオがSD 16:9の場合、チェックボックスを選択すると16:9のコンバージョンが出力されます。

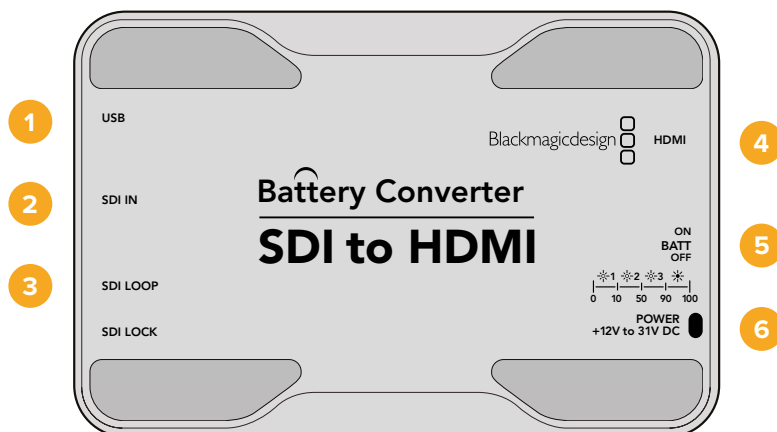


Setup Utilityのデフォルトのアスペクトレシオ設定では、SDビデオをピラーボックス4:3で出力しますが、16:9で出力したい場合は、Setup Utilityの「Video」タブでチェックボックスを選択します。

# Blackmagic Battery Converters

## Battery Converter SDI to HDMI

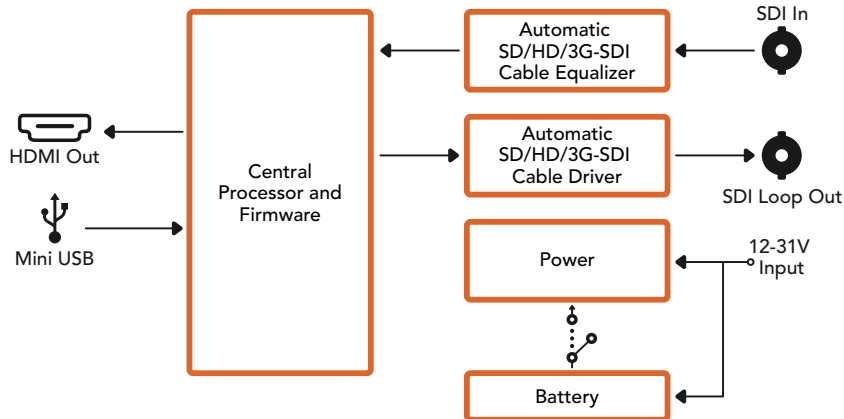
Battery Converter SDI to HDMIを使用すれば、広範な種類のHDMIディスプレイやビデオプロジェクターを、SDIベースの機器に接続できます。Battery Converter SDI to HDMIは、SD/HD/3G-SDIを自動的に検出し、エンベデッドオーディオの付いたHDMIに変換します。Battery Converter SDI to HDMIは、充電可能バッテリー、航空機級のアルミ筐体で保護された埋め込み式コネクタをを搭載しています。



## 接続

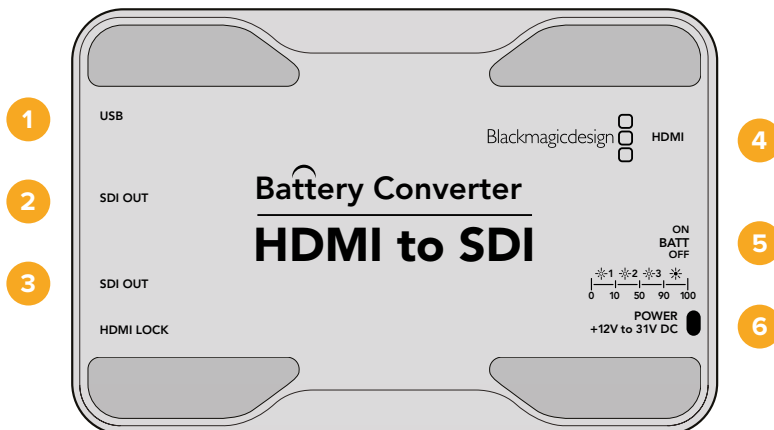
- 1 Mini-B USBポート**  
Mac OS XあるいはWindowsコンピューターでBlackmagic Converters Setupソフトウェアに接続。USBポートを使ってMini Converterの内部ソフトウェアアップデートも可能です。
- 2 SDI入力 (SDI IN)**  
SDIビデオ入力用のBNCコネクタ。
- 3 SDIループ (SDI LOOP OUT)**  
SDI入力BNCコネクタからのループスルー出力
- 4 HDMI**  
HDMIビデオ出力 (タイプA)。
- 5 バッテリー電源オン/オフ (ON BATT OFF)**  
バッテリー電源のON/OFFを切り替えます。「ON」に設定されている場合、Battery Converterは、外部電源からの給電が止まっても動作を続けます。「OFF」に設定されている場合、外部電源のみが使用され、内蔵バッテリーの電池残量は維持されます。スイッチの側のLEDは、バッテリー充電レベルを表示します。100%充電されている場合は継続的に光り、50~90%では3度点滅、10~50%では2度点滅、そして充電が10%以下になると1度点滅になります。
- 6 電源+12V (POWER +12V)**  
12ボルトの電源入力。

## Battery Converter SDI to HDMI ブロック図



## Battery Converter HDMI to SDI

Battery Converter HDMI to SDIを使用して、HDVカメラ、ゲーム機などのデバイスのHDMI出力をSDIに変換できます。HDMIのビデオ信号を最長のSDIケーブルで送信できるため、HDMI出力を搭載するコンピューターにSDI出力を追加できます。Battery Converter HDMI to SDIには充電可能バッテリーが内蔵されています。接続部は航空機級のアルミ筐体に埋め込まれて保護されています。



## 接続

- 1 **Mini-B USBポート**  
Mac OS XあるいはWindowsコンピューターでBlackmagic Converters Setupソフトウェアに接続。USBポートを使ってMini Converterの内部ソフトウェアアップデートも可能です。
- 2 **SDI出力 (SDI OUT)**  
SDIビデオ出力用のBNCコネクター。
- 3 **SDI出力 (SDI OUT)**  
2つめのSDI出力。
- 4 **HDMI**  
HDMIビデオ入力 (タイプA)。

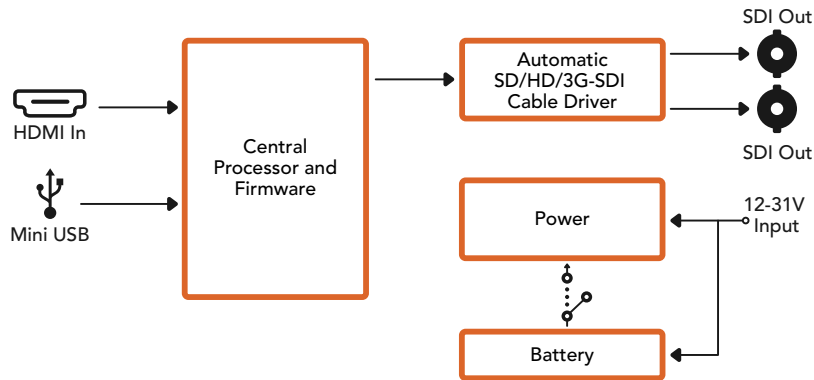
**5 バッテリー電源オン/オフ (ON BATT OFF)**

バッテリー電源のON/OFFを切り替えます。「ON」に設定されている場合、Battery Converterは、外部電源からの給電が止まっても動作を続けます。「OFF」に設定されている場合、外部電源のみが使用され、内蔵バッテリーの電池残量は維持されます。スイッチの側のLEDは、バッテリー充電レベルを表示します。100%充電されている場合は継続的に光り、50~90%では3度点滅、10~50%では2度点滅、そして充電が10%以下になると1度点滅になります。

**6 電源+12V (POWER +12V)**

12ボルトの電源入力。

**Battery Converter HDMI to SDI ブロック図**





# ヘルプ

## ヘルプライン

すぐに情報が欲しい方は、Blackmagic Designオンラインサポートページで、Blackmagic Converterの最新サポート情報を確認できます。

### Blackmagic Design オンラインサポートページ

最新のマニュアル、ソフトウェア、サポートノートは、[www.blackmagicdesign.com/jp/support](http://www.blackmagicdesign.com/jp/support)のBlackmagicサポートセンターで確認できます。

### Blackmagic Designフォーラム

弊社ウェブサイトのBlackmagic Designフォーラムは、様々な情報やクリエイティブなアイデアを共有できる有益なリソースです。経験豊富なユーザーやBlackmagic Designスタッフによって、すでに多くの問題の解決策が公開されていますので、このフォーラムを参考にすることで、現在の問題をすばやく解決できることがあります。ぜひご利用ください。Blackmagicフォーラムには、<http://forum.blackmagicdesign.com>からアクセスできます。

### Blackmagic Designサポートに連絡する

サポートページやフォーラムで必要な情報を得られなかった場合は、サポートページの「メールを送信」ボタンをクリックして、サポートのリクエストをメール送信してください。あるいは「お住まいの地域のサポートオフィス」をクリックして、お住まいの地域のBlackmagic Designサポートオフィスに電話でお問い合わせください。

### 現在インストールされているソフトウェアのバージョンを確認

どのバージョンのConverter Setupソフトウェアがコンピューターにインストールされているか確認するには、「About Blackmagic Converter Setup」ウィンドウを開きます。

- Mac OS Xでは、アプリケーションフォルダーから「Blackmagic Converter Setup」を開きます。アプリケーションメニューから「About Blackmagic Converter Setup」を選択し、バージョンを確認してください。
- Windows 7では、スタートメニューから「Blackmagic Converter Setup」を開きます。ヘルプメニューをクリックして「About Blackmagic Converter Setup」を選択し、バージョンを確認してください。
- Windows 8では、スタートページの「Blackmagic Converter Setup」タイルからBlackmagic Teranex Setupを開きます。ヘルプメニューをクリックして「About Blackmagic Converter Setup」を選択し、バージョンを確認してください。

### 最新のソフトウェアアップデートを入手する

コンピューターにインストールされたBlackmagic Converter Setupソフトウェアのバージョンを確認したら、Blackmagicサポートセンター ([www.blackmagicdesign.com/jp/support](http://www.blackmagicdesign.com/jp/support)) で最新のソフトウェアアップデートをご確認ください。

常に最新のソフトウェアを使用することを推奨しますが、重要なプロジェクトの実行中は、ソフトウェアのアップデートは行わない方がよいでしょう。

# 保証

## 12ヶ月限定保証

Blackmagic Designは、お買い上げの日から36ヶ月間、Teranex Miniコンバーターの部品および仕上がりについて瑕疵がないことを保証します。しかし、コネクタ、ケーブル、光ファイバーモジュール、ヒューズ、バッテリーについては、それらの部品および仕上がりについて瑕疵がないことに対する保証は12ヶ月間です。Blackmagic Designは、お買い上げの日から12ヶ月間、本製品の部品および仕上がりについて瑕疵がないことを保証します。この保証期間内に製品に瑕疵が見つかった場合、Blackmagic Designは弊社の裁量において部品代および人件費無料で該当製品の修理、あるいは製品の交換のいずれかで対応いたします。

この保証に基づいたサービスを受ける際、お客様は必ず保証期限終了前にBlackmagic Designに瑕疵を通知し、適応する保証サービスの手続きを行ってください。お客様の責任において不良品を梱包し、Blackmagic Designが指定するサポートセンターへ配送料前払で送付いただきますようお願い致します。理由の如何を問わず、Blackmagic Designへの製品返送のための配送料、保険、関税、税金、その他すべての費用はお客様の自己負担となります。

不適切な使用、または不十分なメンテナンスや取扱いによる不具合、故障、損傷に対しては、この保証は適用されません。Blackmagic Designはこの保証で、以下に関してサービス提供義務を負わないものとします。a) 製品のインストールや修理、サービスを行うBlackmagic Design販売代理人以外の者によって生じた損傷の修理、b) 不適切な使用や互換性のない機器への接続によって生じた損傷の修理、c) Blackmagic Designの部品や供給品ではない物を使用して生じたすべての損傷や故障の修理、d) 改造や他製品との統合により時間増加や製品の機能低下が生じた場合のサービス。この保証はBlackmagic Designが保証するもので、明示または黙示を問わず他の保証すべてに代わるものです。Blackmagic Designとその販売社は、商品性と特定目的に対する適合性のあらゆる黙示保証を拒否します。Blackmagic Designの不良品の修理あるいは交換の責任が、特別に、間接的、偶発的、または結果的に生じる損害に対して、Blackmagic Designあるいは販売社がそのような損害の可能性についての事前通知を得ているか否かに関わらず、お客様に提供される完全唯一の救済手段となります。Blackmagic Designはお客様による機器のあらゆる不法使用に対して責任を負いません。Blackmagic Designは本製品の使用により生じるあらゆる損害に対して責任を負いません。使用者は自己の責任において本製品を使用するものとします。

© Copyright 2018 Blackmagic Design 著作権所有、無断複写・転載を禁じます。「Blackmagic Design」、「DeckLink」、「HDLINK」、「Workgroup Videohub」、「Multibridge Pro」、「Multibridge Extreme」、「Intensity」、「Leading the creative video revolution」は、米国ならびにその他諸国での登録商標です。その他の企業名ならびに製品名全てはそれぞれ関連する会社の登録商標である可能性があります。

Blackmagicdesign 



Manuel d'utilisation et d'installation

# Blackmagic Converters

Juin 2018

Français



## Bienvenue

Nous vous remercions d'avoir fait l'acquisition d'un convertisseur Blackmagic.

Les Blackmagic Mini Converters, Mini Converter Heavy Duty, Battery Converters et Micro Converters vous offrent une solution pour la plupart de vos besoins de conversion. Les Mini Converters convertissent des signaux analogiques en signaux numériques, des signaux numériques en signaux analogiques, mais aussi des signaux SDI en signaux audio, et de l'audio en SDI. Certains modèles prennent également en charge la up/down/cross-conversion, la distribution du signal SDI et la synchronisation des signaux. Les Mini Converter Heavy Duty allient ces mêmes types de conversion à une construction très robuste, parfaitement adaptée à une utilisation sur le lieu de tournage. Les Battery Converters, quant à eux, vous permettent de travailler avec ou sans alimentation externe. Enfin, les Blackmagic Micro Converters sont des convertisseurs encore plus petits, conçus pour les conversions standard telles que SDI vers HDMI et HDMI vers SDI. Vous pouvez ainsi brancher une sortie HDMI à des enregistreurs vidéo et à des mélangeurs SDI, ou brancher du matériel vidéo SDI à des moniteurs HDMI.

Ce manuel d'utilisation comprend toutes les informations dont vous avez besoin pour utiliser vos convertisseurs Blackmagic.

Consultez la page d'assistance de notre site Internet [www.blackmagicdesign.com/fr](http://www.blackmagicdesign.com/fr) pour obtenir la dernière version de ce manuel et des mises à jour, si votre convertisseur Blackmagic intègre un logiciel interne. Nous vous recommandons de mettre le logiciel interne à jour régulièrement afin de travailler avec les fonctions les plus récentes. N'oubliez pas d'enregistrer vos coordonnées lorsque vous téléchargerez le logiciel afin d'être informé des dernières mises à jour. Nous souhaitons continuellement améliorer nos produits, n'hésitez donc pas à nous faire part de vos commentaires !

A handwritten signature in a cursive script, reading "Grant Petty". The ink is black and the signature is fluid and elegant.

**Grant Petty**

PDG de Blackmagic Design



# Sommaire

## Blackmagic Converters

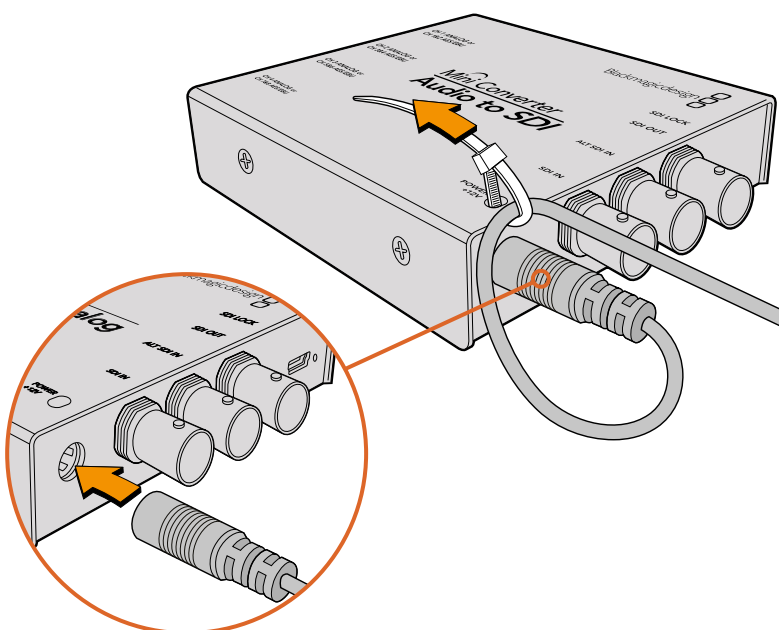
<b>Mise en route</b>	<b>185</b>	Mini Converter HDMI to SDI	211
Brancher l'alimentation	185	Mini Converter HDMI to SDI 4K	214
Brancher la vidéo	186	Mini Converter HDMI to SDI 6G	217
Brancher l'audio	187	Mini Converter SDI to Analog	220
<b>Installer le logiciel d'administration</b>	<b>188</b>	Mini Converter SDI to Analog 4K	225
Installer le Blackmagic Converters Setup	188	Mini Converter Analog to SDI	229
Mettre à jour le logiciel interne	189	Mini Converter SDI to Audio	233
Mise à jour du Mini Converter SDI Distribution 4K	190	Mini Converter SDI to Audio 4K	236
<b>Régler les paramètres</b>	<b>191</b>	Mini Converter Audio to SDI	239
Régler les paramètres à l'aide des interrupteurs	191	Mini Converter Audio to SDI 4K	243
Modifier les paramètres à l'aide du Blackmagic Converters Setup	192	Mini Converter Optical Fiber	247
Onglet About	193	Mini Converter Optical Fiber 4K	248
<b>Modèles de convertisseurs Blackmagic</b>	<b>193</b>	Mini Converter Optical Fiber 12G	249
<b>Teranex Mini Converters</b>	<b>193</b>	Mini Converter Quad SDI to HDMI 4K	250
<b>Blackmagic Micro Converters</b>	<b>194</b>	Mini Converter SDI Distribution	251
Micro Converter SDI to HDMI	194	Mini Converter SDI Distribution 4K	252
Micro Converter HDMI to SDI	195	Mini Converter SDI Multiplex 4K	253
Micro Converter BiDirectional SDI/HDMI	197	Mini Converter Sync Generator	256
<b>Blackmagic Mini Converters</b>	<b>199</b>	Mini Converter UpDownCross	259
Mini Converter SDI to HDMI	199	Mini Converter UpDownCross HD	263
Mini Converter SDI to HDMI 4K	202	<b>Blackmagic Battery Converters</b>	<b>267</b>
Mini Converter SDI to HDMI 6G	206	Battery Converter SDI to HDMI	267
		Battery Converter HDMI to SDI	268
		<b>Assistance</b>	<b>270</b>
		<b>Garantie</b>	<b>271</b>

## Mise en route

Pour mettre votre convertisseur Blackmagic en route, il suffit d'alimenter l'appareil, de brancher la source vidéo à l'entrée vidéo du convertisseur et de connecter la sortie vidéo à l'appareil destinataire.

### Brancher l'alimentation

Branchez le bloc d'alimentation de 12V fourni à l'aide de l'adaptateur correspondant à votre pays. Si votre convertisseur possède une attache de câble, vous pouvez facilement sécuriser l'alimentation.



Sécuriser le câble d'alimentation à l'attache de câble afin d'éviter une déconnexion accidentelle.

### Micro Converter

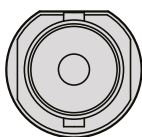
Le Blackmagic Micro Converter est alimenté à l'aide d'un connecteur micro USB. Vous disposez donc d'une solution d'alimentation pratique et polyvalente. Par exemple, vous pouvez alimenter le convertisseur avec un chargeur pour téléphone portable, ou via le port USB de votre ordinateur. Tout appareil capable de fournir 5V via un câble USB vers Micro USB standard peut alimenter le Blackmagic Micro Converter.

### Battery Converters

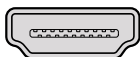
Les Blackmagic Battery Converters sont dotés d'un interrupteur **On Batt Off**, utilisé pour commuter entre la prise secteur et l'alimentation par batterie. Lorsqu'il est réglé sur **On**, le Battery Converter continue de fonctionner même si l'alimentation externe est interrompue. Lorsqu'il est réglé sur **Off**, seule l'alimentation externe est utilisée afin de conserver la charge de la batterie. La LED située à côté de l'interrupteur indique le niveau de charge. Lorsque le voyant est allumé en continu, la charge est de 100%. Le voyant clignote trois fois, lorsque la charge est de 50-90%, deux fois lorsque la charge est de 10-50% et une fois lorsque la charge est inférieure à 10%.

## Brancher la vidéo

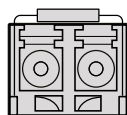
Pour connecter les entrées et les sorties vidéo, il suffit de brancher la source vidéo à l'entrée vidéo du convertisseur et de brancher la sortie vidéo au matériel destinataire.



**BNC**



**HDMI**

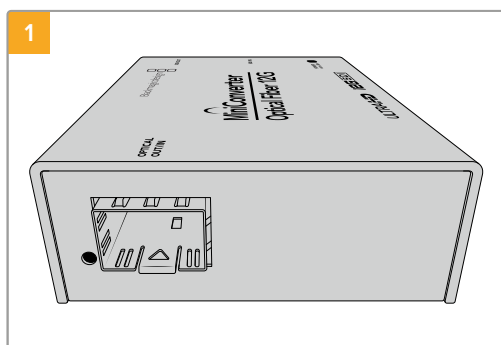


**Optical Fiber**

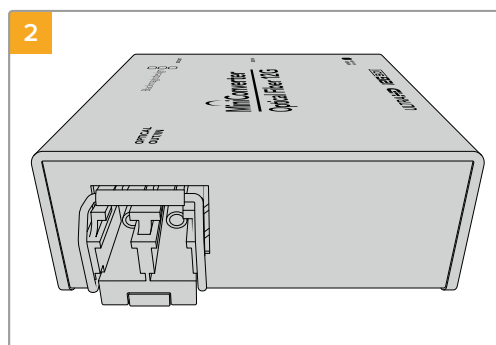
Selon le modèle de convertisseur Blackmagic que vous utilisez, vous disposerez de connecteurs vidéo BNC, HDMI, ou fibre optique LC.

### Connecteurs fibre optique

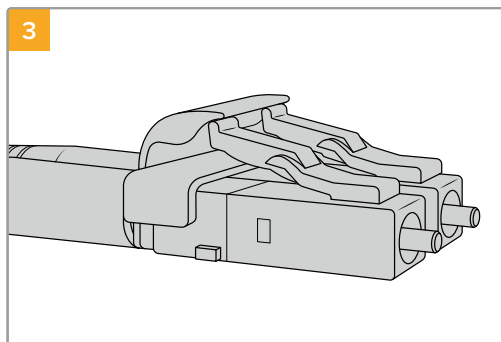
Certains modèles de convertisseurs Blackmagic comprennent un logement SFP pour connecter un module SFP fibre optique compatible prenant en charge la vidéo 3G, 6G ou 12-SDI. Ce module est un émetteur et récepteur optique doté de logements pour les câbles fibre optique.



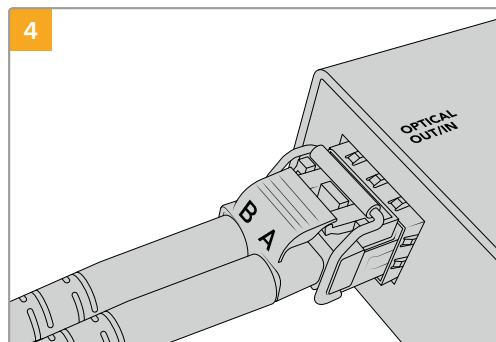
1 Vérifiez qu'il n'y ait pas de poussière à l'intérieur du logement Optical Out/In.



2 Retirez la protection du module SFP fibre optique puis insérez-le dans le logement SFP. La broche de verrouillage va se clipser pour assurer que le module est branché au logement.



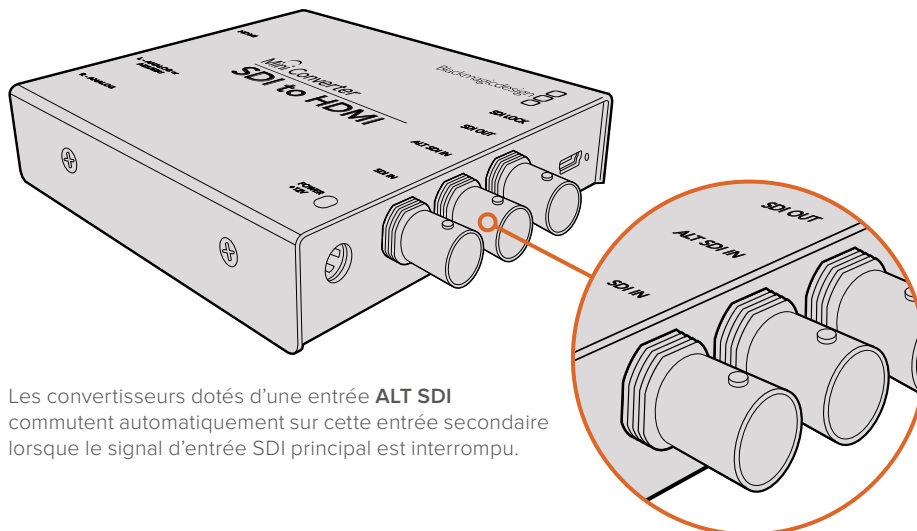
3 Les câbles fibre optique possèdent des pattes de verrouillage sur le dessus pour assurer leur stabilité.



4 Branchez les câbles fibre optique. Vérifiez que les branchements In et Out sont dans les logements adéquats, et que les pattes de verrouillage maintiennent le levier du module SFP fibre optique droit.

### Entrées SDI redondantes à sécurité intégrée

Certains modèles de convertisseurs Blackmagic intègrent des entrées SDI alternatives pour la redondance. Ces entrées, nommées **ALT SDI**, prendront directement le relais si le signal d'entrée SDI est interrompu. Dans ce cas-là, la LED **SDI LOCK** clignotera, pour indiquer que le convertisseur a basculé sur l'entrée **ALT SDI**.

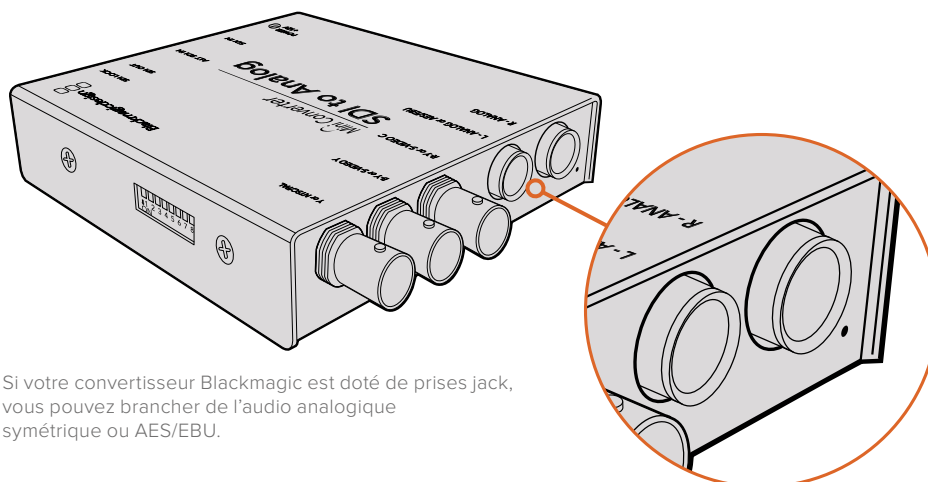


Les convertisseurs dotés d'une entrée **ALT SDI** commutent automatiquement sur cette entrée secondaire lorsque le signal d'entrée SDI principal est interrompu.

## Brancher l'audio

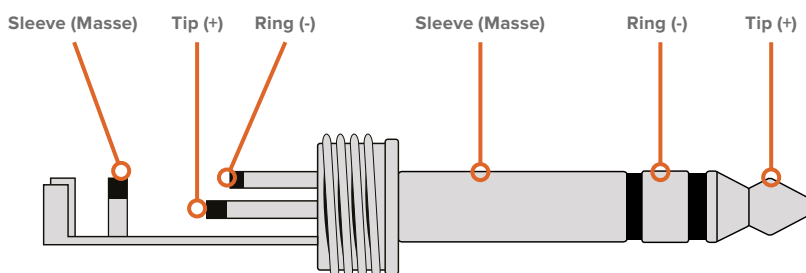
### Connecteurs audio

Certains convertisseurs Blackmagic intègrent des jacks de 1/4", vous pouvez donc facilement brancher de l'audio externe analogique symétrique ou numérique AES/EBU. Les jacks de 1/4" sont des connecteurs TRS symétriques. TRS signifie Tip (pointe), Ring (anneau), Sleeve (corps) et fait référence aux trois points de contact de la prise jack.



Si votre convertisseur Blackmagic est doté de prises jack, vous pouvez brancher de l'audio analogique symétrique ou AES/EBU.

L'illustration ci-dessous représente les broches d'un jack mâle, au cas où vous souhaiteriez fabriquer vos propres câbles.





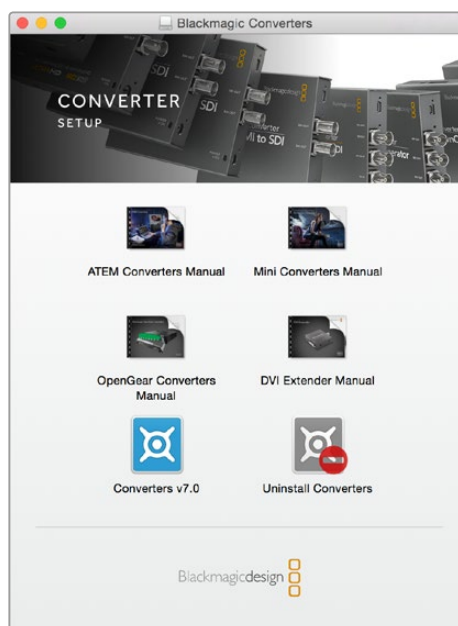
L'illustration du jack située sur la page précédente montre le point chaud, le point froid et la masse du connecteur. Si vous devez inverser la polarité de votre câble audio analogique pour répondre aux besoins de votre équipement audio, il suffit d'échanger le point chaud et le point froid des broches Tip et Ring.

**REMARQUE** Si vous connectez de l'audio analogique stéréo et que vous inversez la polarité du jack de l'un des deux canaux, veillez à faire de même pour l'autre afin d'éviter que l'audio analogique stéréo soit déphasé.

## Installer le logiciel d'administration

### Installer le Blackmagic Converters Setup

Le Blackmagic Converters Setup permet de modifier les paramètres et de mettre à jour le logiciel interne de votre convertisseur. Les paramètres disponibles dépendent du modèle que vous utilisez. Toutefois, certains convertisseurs Blackmagic ne possèdent pas de paramètres réglables et de logiciel interne, c'est pourquoi ils ne sont pas dotés d'un port USB. Si vous possédez un de ces modèles, vous pouvez directement consulter la section relative au modèle en question.



Le logiciel Blackmagic Converters Setup peut être installé sur les ordinateurs Mac OS X et Windows.

#### Installation sur Mac OS X

- 1 Téléchargez le logiciel Blackmagic Converters Setup sur [www.blackmagicdesign.com/fr](http://www.blackmagicdesign.com/fr)
- 2 Dézippez le fichier et cliquez sur l'icône pour l'ouvrir.
- 3 Double-cliquez sur le programme d'installation et suivez les instructions à l'écran pour terminer l'installation.
- 4 Une fois l'installation terminée, cliquez sur **Close**. Le Blackmagic Converters Setup est à présent installé.

### Installation sur Windows

- 1 Téléchargez le logiciel Blackmagic Converters Setup sur [www.blackmagicdesign.com/fr](http://www.blackmagicdesign.com/fr)
- 2 Dézippez le fichier téléchargé. Le dossier Blackmagic Converters Setup contenant la version PDF de ce manuel et le programme d'installation Blackmagic Converters Setup devrait apparaître.
- 3 Double-cliquez sur le programme d'installation et suivez les instructions à l'écran pour terminer l'installation.
- 4 Cliquez sur **Finish** pour terminer l'installation.

Le Blackmagic Converters Setup est à présent installé.

## Mettre à jour le logiciel interne

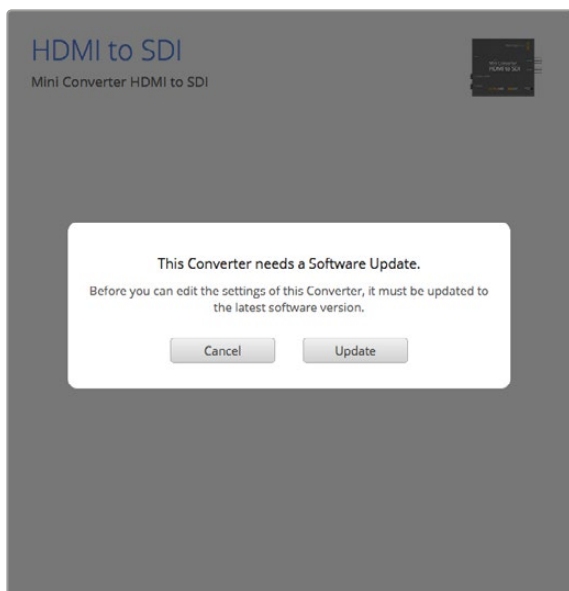
Si votre convertisseur Blackmagic est doté d'un port USB, vous pourrez peut-être modifier davantage de paramètres et mettre à jour le logiciel interne du convertisseur. Les mises à jour les plus récentes peuvent être téléchargées sur la page Assistance de Blackmagic Design à l'adresse [www.blackmagicdesign.com/fr/support](http://www.blackmagicdesign.com/fr/support).

Lorsque vous mettez à jour les Blackmagic Micro Converters, vous n'avez pas besoin de les brancher à une source d'alimentation car ils sont déjà alimentés via le port USB.

Avec les modèles Blackmagic Mini Converters, Battery Converters et Mini Converters Heavy Duty, veillez à ce que le convertisseur soit alimenté avant de le connecter à votre ordinateur via USB.

- 1 Branchez le convertisseur à une source d'alimentation.
- 2 Connectez un câble USB entre l'ordinateur et le convertisseur, puis lancez le Blackmagic Converter Setup.

Le nom de votre convertisseur Blackmagic s'affiche sur la page d'accueil de votre utilitaire. Si plus d'un convertisseur est connecté via USB, cliquez sur les flèches situées de part et d'autre de la page d'accueil afin de sélectionner le convertisseur souhaité.



Si le Blackmagic Converters Setup détecte une version plus ancienne du logiciel, il vous invitera à le mettre à jour.

Si aucun convertisseur n'est connecté, la page d'accueil affiche le message **No converters found**. Si un convertisseur est connecté à votre ordinateur via USB, mais qu'il n'est pas alimenté, il se peut que la page d'accueil affiche le message **No power connected**. Il suffit alors de brancher le convertisseur à une source d'alimentation pour accéder aux paramètres.

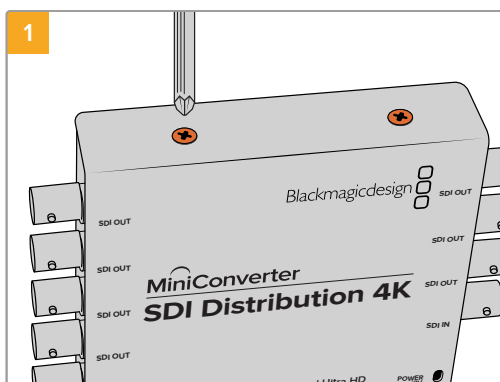
Si le Blackmagic Converters Setup contient une version du logiciel plus récente que celle installée sur votre convertisseur Blackmagic, une mise à jour vous sera proposée. Suivez simplement les instructions à l'écran pour effectuer la mise à jour.

## Mise à jour du Mini Converter SDI Distribution 4K

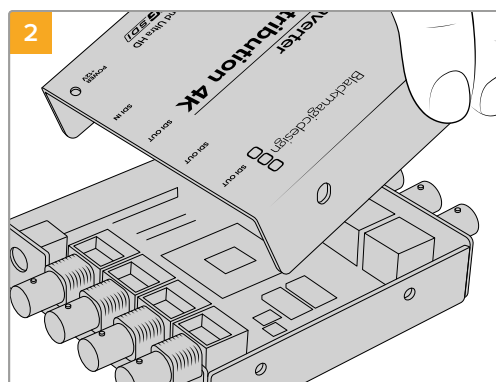
Le Blackmagic Mini Converter SDI Distribution 4K est doté d'un connecteur USB interne. Ce mini-convertisseur ne possède pas de paramètres modifiables, vous n'aurez donc jamais besoin de connecter de logiciel d'installation. Cependant, occasionnellement, des mises à jour pour le logiciel interne seront disponibles afin d'améliorer la compatibilité du convertisseur avec d'autres appareils. Par exemple, la version Blackmagic Converters Software 7.0.9 améliore la compatibilité du mini-convertisseur avec les signaux 3G SDI de niveau A.

Lorsqu'une mise à jour s'applique au matériel que vous utilisez avec le Mini Converter SDI Distribution 4K, suivez les étapes suivantes afin d'accéder au connecteur USB du mini-convertisseur.

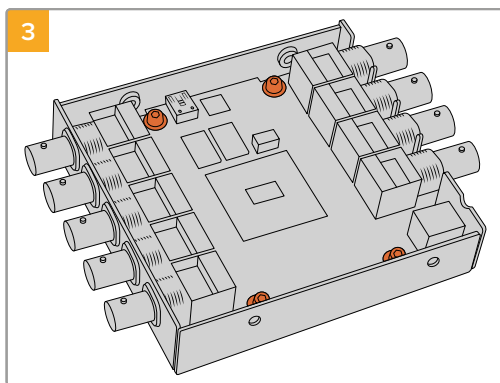
**REMARQUE** Veillez à ce que l'alimentation soit débranchée avant d'ouvrir le Mini Converter SDI Distribution 4K. Nous recommandons que cette opération soit effectuée par un ingénieur qualifié à l'aide d'un bracelet antistatique.



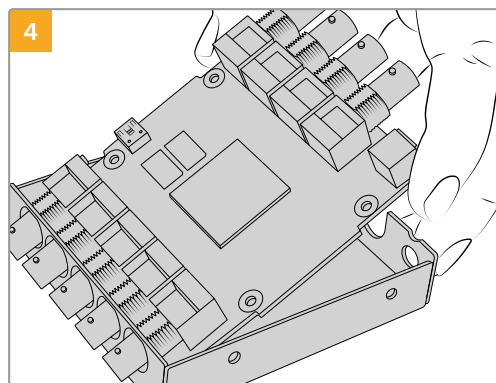
Avec un tournevis cruciforme, retirez les quatre vis (M3) situées sur les côtés du Mini Converter SDI Distribution 4K.



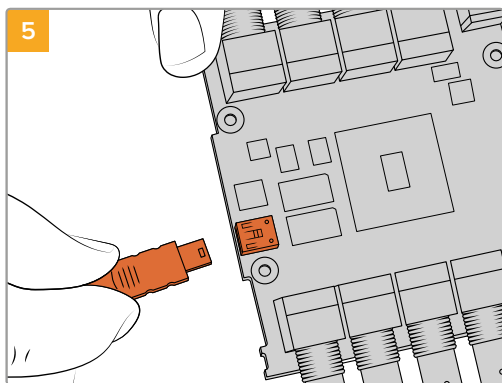
Faites glisser le couvercle externe.



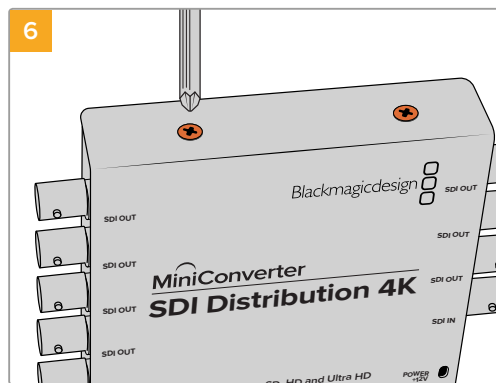
Avec un tournevis T10 Torx, retirez les quatre vis qui connectent la carte circuit au boîtier du Mini Converter SDI Distribution 4K.



Retirez délicatement la carte circuit du boîtier pour accéder au connecteur USB.



Alimentez le Mini Converter SDI Distribution 4K et connectez-le à un ordinateur à l'aide d'un câble USB. Mettez le logiciel à jour comme pour n'importe quel autre mini-convertisseur.



Répétez les étapes 1 à 4 dans le sens inverse pour réassembler le Mini Converter Distribution 4K.

**REMARQUE** Lorsque vous manipulez la carte circuit du Mini Converter SDI Distribution 4K, veillez à toujours la tenir par les côtés afin d'éviter de court-circuiter des composants internes.

## Régler les paramètres

Si votre convertisseur Blackmagic possède des paramètres réglables, il y a deux façons de les modifier : vous pouvez utiliser les interrupteurs situés sur la face latérale du convertisseur, ou utiliser l'utilitaire Blackmagic Converters Setup. Cet utilitaire permet également de modifier les paramètres qui ne peuvent pas être réglés avec les interrupteurs, notamment les niveaux audio et vidéo analogiques.

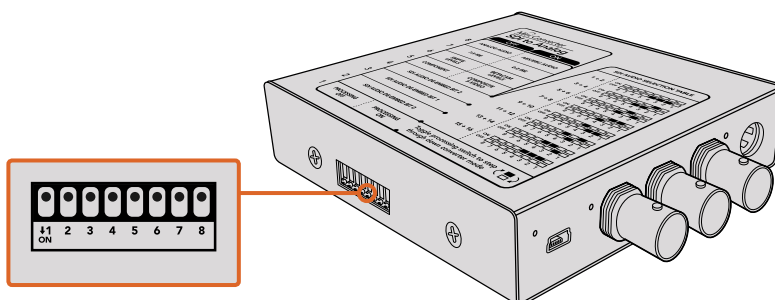
### Régler les paramètres à l'aide des interrupteurs

Plusieurs modèles de convertisseurs Blackmagic sont dotés d'interrupteurs.

Pour modifier le paramètre d'un interrupteur, il suffit de déplacer l'interrupteur vers le haut ou vers le bas avec la pointe d'un stylo. Vous pourrez ainsi activer ou désactiver les interrupteurs. Les huit interrupteurs offrent de nombreuses combinaisons possibles, vous pouvez donc choisir vos paramètres de conversion avec précision.

Un schéma fonctionnel est imprimé sous le convertisseur. Veillez à ce que la position des interrupteurs corresponde au schéma représenté sur le convertisseur. La lecture du schéma s'effectue de 1 à 8 et de gauche à droite.

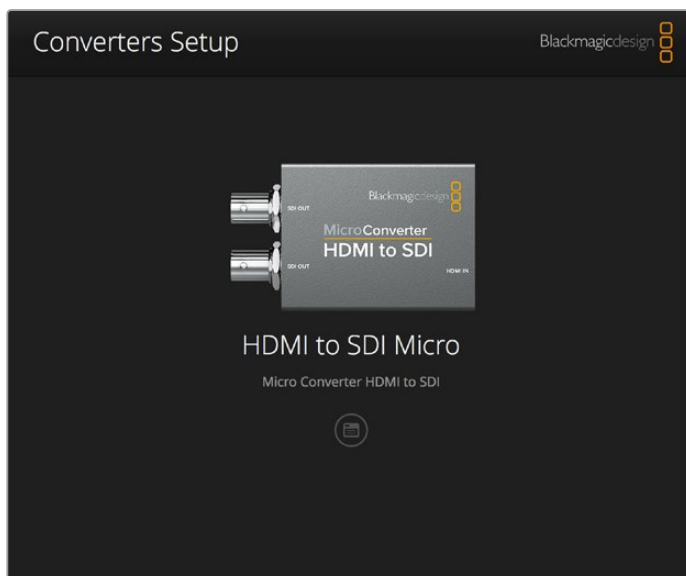
Pour une description complète des interrupteurs et de leurs réglages, consultez la section relative au modèle de convertisseur que vous possédez. Même si un schéma fonctionnel est imprimé sous le convertisseur, de nouvelles fonctionnalités peuvent être ajoutées au fur et à mesure des mises à jour. N'hésitez pas à vérifier les dernières versions du manuel pour obtenir les informations les plus récentes. Téléchargez la dernière version de ce manuel sur la page d'assistance de Blackmagic Design [www.blackmagicdesign.com/fr/support](http://www.blackmagicdesign.com/fr/support).



Réglez les paramètres en changeant la position des interrupteurs avec un stylo.

## Modifier les paramètres à l'aide du Blackmagic Converters Setup

Une fois le Blackmagic Converters Setup installé sur votre ordinateur, connectez-le au convertisseur via USB.



L'utilitaire Blackmagic Converters Setup vous permet de mettre à jour le logiciel interne de votre convertisseur et d'ajuster les paramètres à l'aide d'un ordinateur Mac OS X ou Windows.

La page d'accueil s'affiche lorsque vous ouvrez le logiciel. Si plus d'un convertisseur est connecté à votre ordinateur, sélectionnez le convertisseur désiré en cliquant sur les flèches situées de part et d'autre de la page d'accueil du Blackmagic Converters Setup.

Pour modifier les paramètres, cliquez sur l'icône située sous l'image du convertisseur Blackmagic. Les réglages effectués sur le logiciel sont alors automatiquement reproduits dans le convertisseur. Cela signifie que si une coupure de courant se produit, les réglages pourront être rapidement rétablis.

La plupart des paramètres peuvent être configurés à l'aide des interrupteurs. Cependant, certains paramètres, tels que les niveaux audio et vidéo analogiques, ne peuvent être réglés que sur le logiciel.

**CONSEIL** Les Teranex Mini Converters sont des convertisseurs 12G-SDI qui prennent en charge de nombreux formats vidéo jusqu'au 4K DCI 60p. Si vous souhaitez obtenir des informations à propos de ces convertisseurs, par exemple la façon de les contrôler avec l'utilitaire Blackmagic Teranex Setup, il suffit de télécharger le manuel Teranex Mini Converters sur la page d'assistance de Blackmagic Design : [www.blackmagicdesign.com/fr/support](http://www.blackmagicdesign.com/fr/support).

## Onglet About

Tous les modèles de convertisseurs disposent d'un onglet **About** au sein du Blackmagic Converters Setup. Les paramètres de cet onglet permettent de renommer votre convertisseur Blackmagic. Cliquez simplement dans le champ **Name** et saisissez le nom que vous avez choisi. Cliquez sur **Save** pour confirmer le changement.



L'onglet **About** du Blackmagic Converters Setup permet de renommer votre convertisseur. Il comprend également la version du logiciel.

Le menu **Software information** situé dans l'onglet **About**, vous permet de savoir quelle version du logiciel est installée. Si la version du logiciel interne de votre convertisseur est plus ancienne que celle utilisée par le Blackmagic Converters Setup, le bouton **Update** vous permettra de mettre à jour le logiciel.

## Modèles de convertisseurs Blackmagic

Les convertisseurs Blackmagic offrent des solutions de conversion en toute circonstance. Par exemple, les Mini Converters sont robustes et légers, vous pouvez donc les installer sur du matériel vidéo ou sur des plateaux coulissants. Les Battery Converters, quant à eux, sont très robustes et intègrent une batterie rechargeable, ils sont donc portatifs et autonomes. Enfin, les Blackmagic Micro Converters sont des petits convertisseurs SDI vers HDMI et HDMI vers SDI qui peuvent être alimentés via USB, ils sont donc parfaits pour être reliés à des moniteurs et à des ordinateurs portables.

Les pages suivantes contiennent des informations sur les convertisseurs Blackmagic et sur les paramètres des interrupteurs et du logiciel.

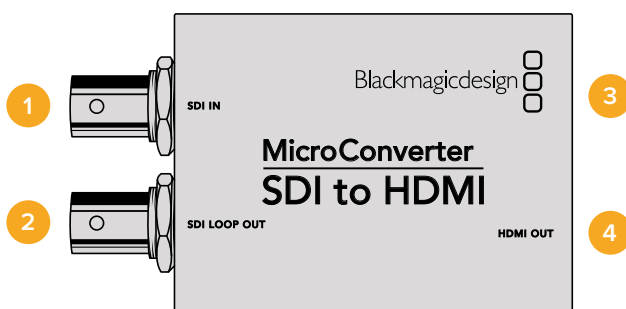
## Teranex Mini Converters

Les Blackmagic Teranex Mini Converters sont des convertisseurs 12G-SDI qui prennent en charge les formats vidéo jusqu'à 4K DCI 60p. Il est possible de les équiper d'un Teranex Mini Smart Panel vendu en option pour modifier les paramètres à l'aide des boutons, de la molette et de l'écran LCD. Il est également possible de les alimenter via Ethernet. Si vous souhaitez obtenir des informations à propos de ces convertisseurs, par exemple la façon de les contrôler avec l'utilitaire Blackmagic Teranex Setup, il suffit de télécharger le manuel Teranex Mini Converters sur la page d'assistance de Blackmagic Design : [www.blackmagicdesign.com/fr/support](http://www.blackmagicdesign.com/fr/support).

# Blackmagic Micro Converters

## Micro Converter SDI to HDMI

Grâce au Micro Converter SDI to HDMI, vous pouvez connecter une large gamme d'écrans et de vidéoprojecteurs HDMI à du matériel SDI. Le Micro Converter SDI to HDMI détecte automatiquement les signaux SD/HD/3G-SDI et les convertit en HDMI avec audio intégré. Ce tout petit convertisseur de qualité broadcast est protégé par un boîtier robuste en aluminium, doté d'un port USB. Vous pouvez donc l'alimenter via le port USB d'un ordinateur portable ou d'un téléviseur à l'aide d'un câble micro USB standard. Les câbles Micro USB servent à connecter ou à charger certains téléphones portables. Si vous en possédez un, vous pouvez vous en servir. Si le connecteur USB de votre câble est différent, vous pouvez vous procurer le câble requis dans la plupart des magasins de matériel électronique.



## Connecteurs

- 1 Entrée SDI**  
Connecteur BNC pour entrée SDI.
- 2 Sortie SDI en boucle**  
Sortie en boucle de l'entrée SDI.
- 3 Micro USB / Alimentation**  
Alimente l'appareil à partir de l'adaptateur fourni ou de tout appareil capable de fournir une tension de 5V via un câble USB to Micro USB standard, notamment un ordinateur ou un téléviseur. Offre également une connexion vers le logiciel Blackmagic Converters Setup via un ordinateur Mac OS X ou Windows.
- 4 Sortie HDMI**  
Sortie vidéo HDMI de type A.

## Paramètres du Blackmagic Converters Setup

L'utilitaire Blackmagic Converters Setup vous permet de modifier les paramètres et de mettre à jour le logiciel des Micro Converter. Vous pouvez accéder à ces paramètres en utilisant les onglets **Video** et **About**.

Vous trouverez de plus amples informations concernant l'onglet **About** dans la section « Régler les paramètres » de ce manuel.

L'onglet **Video** du Micro Converter SDI to HDMI donne accès aux paramètres suivants.

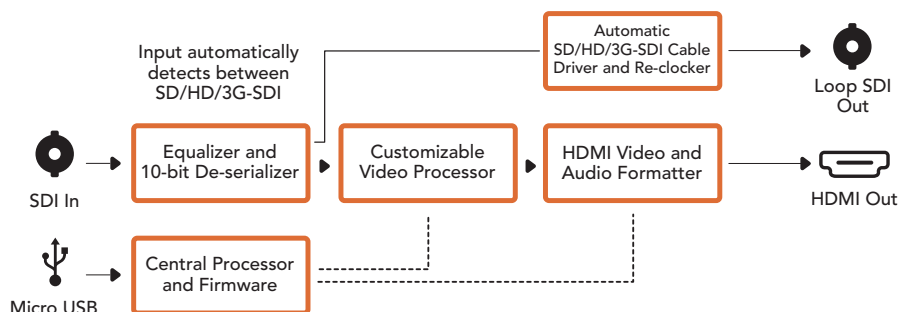


Le paramètre **Clip video output to legal levels** est coché par défaut. Il permet de garantir que la sortie HDMI correspond exactement à l'entrée SDI.

### Menu Processing

La case **Clip video output to legal levels** contrôle l'écrêtage de l'entrée SDI pour garantir des niveaux HDMI légaux. Elle est cochée par défaut.

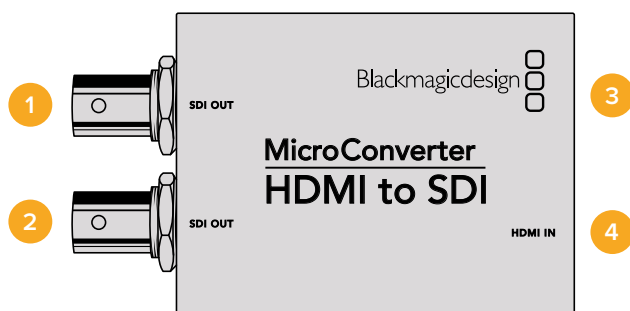
### Schéma fonctionnel du Micro Converter SDI to HDMI



## Micro Converter HDMI to SDI

Utilisez le Micro Converter HDMI to SDI pour convertir des signaux HDMI provenant d'appareils tels que des caméras HDV et des consoles de jeux en SDI. Vous pouvez ainsi envoyer des signaux vidéo provenant d'appareils HDMI à du matériel SDI à l'aide de longs câbles SDI. Vous pouvez même ajouter des sorties SDI à des ordinateurs équipés de connexions HDMI. Ce tout petit convertisseur de qualité broadcast est protégé par un boîtier robuste en aluminium, doté d'un port USB. Vous pouvez donc l'alimenter via le port USB d'un ordinateur portable ou d'un téléviseur à l'aide d'un câble micro USB standard. Les câbles Micro USB servent à connecter ou à charger certains téléphones portables. Si vous en possédez un, vous pouvez vous en servir. Si le connecteur USB de votre câble est différent, vous pouvez vous procurer le câble requis dans la plupart des magasins de matériel électronique.





## Connecteurs

### 1 SORTIE SDI

Connecteur BNC pour sortie vidéo SDI.

### 2 SORTIE SDI

Deuxième sortie SDI.

### 3 Micro USB / Alimentation

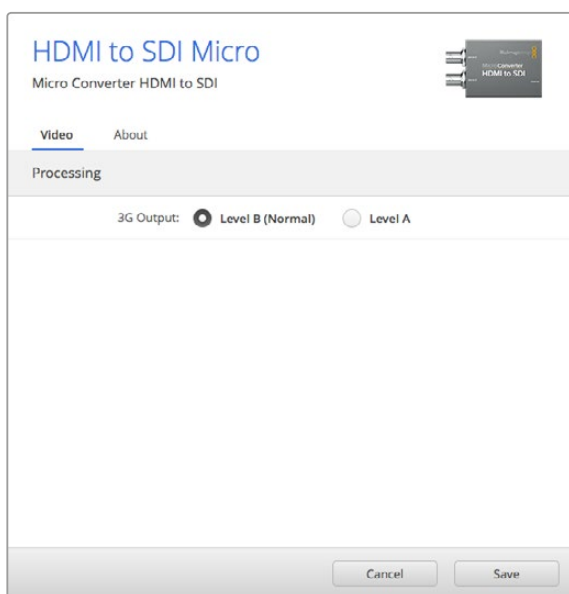
Alimente l'appareil à partir de l'adaptateur fourni ou de tout appareil capable de fournir une tension de 5V via un câble USB to Micro USB standard, notamment un ordinateur ou un téléviseur. Offre également une connexion vers le logiciel Blackmagic Converters Setup via un ordinateur Mac OS X ou Windows pour mettre à jour le logiciel interne du Micro Converter.

### 4 Entrée HDMI

Entrée vidéo HDMI de type A.

## Paramètres du Blackmagic Converters Setup

L'utilitaire Blackmagic Converters Setup vous permet de modifier les paramètres et de mettre à jour le logiciel des Micro Converter. Vous pouvez accéder à ces paramètres en utilisant les onglets **Video** et **About**.



Utilisez l'onglet **Video** du Blackmagic Converters Setup pour basculer entre les niveaux SDI

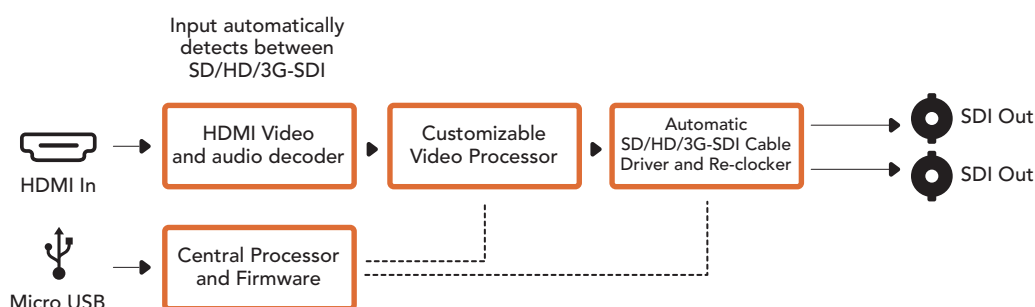
Vous trouverez de plus amples informations concernant l'onglet **About** dans la section « Régler les paramètres » de ce manuel.

L'onglet **Video** du Micro Converter HDMI to SDI donne accès aux paramètres suivants.

### Menu Processing

Le menu 3G Output vous permet de sélectionner entre une sortie 3G-SDI de niveau A ou de niveau B. Ce paramètre vous permet de modifier le standard de la sortie 3G-SDI pour maintenir une compatibilité avec les équipements qui prennent uniquement en charge les signaux 3G-SDI de niveau A ou B. Par défaut, ce paramètre est réglé sur Niveau B.

### Schéma fonctionnel du Micro Converter HDMI to SDI



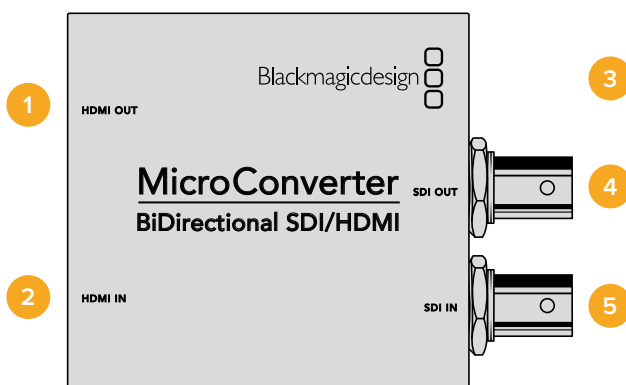
## Micro Converter BiDirectional SDI/HDMI

Le Micro Converter BiDirectional SDI/HDMI convertit des signaux vidéo SD et HD HDMI en SDI, et SDI en HDMI tout en intégrant l'audio simultanément. Par exemple, vous pouvez convertir la sortie HDMI d'une caméra HDV en SDI pour connecter des câbles plus longs, tout en convertissant une voie de retour SDI en HDMI, si vous souhaitez vous connecter à un écran TV.

Si une seule entrée est connectée, les sorties SDI et HDMI deviennent des sorties en boucle. Ainsi, vous pouvez acheminer le signal d'entrée vers d'autres équipements HDMI et SDI.

Le Micro Converter BiDirectional SDI/HDMI détecte automatiquement les formats d'entrée SD/HD/3G-SDI et règle la sortie sur le format adéquat.

Ce convertisseur broadcast au format réduit est protégé par un boîtier en aluminium très résistant. Le Micro Converter BiDirectional SDI/HDMI s'alimente via USB. Vous pouvez ainsi le charger avec un câble USB depuis le port USB de votre ordinateur ou de votre télévision. Les câbles Micro USB servent à connecter ou à charger certains téléphones portables. Si vous en possédez un, vous pouvez vous en servir. Si le connecteur USB de votre câble est différent, vous pouvez vous procurer le câble requis dans la plupart des magasins de matériel électronique.



## Connecteurs

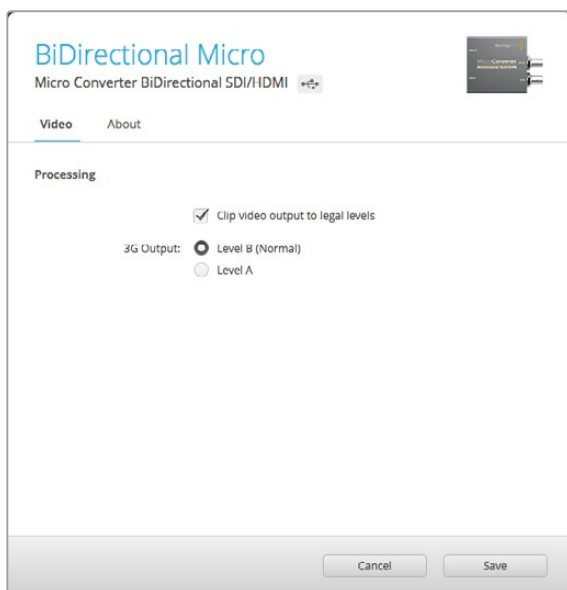
- 1 Sortie HDMI**  
Sortie vidéo HDMI de type A.
- 2 Entrée HDMI**  
Entrée vidéo HDMI de type A.
- 3 Micro USB / Alimentation**  
Fournit une alimentation de 5V à partir de l'adaptateur fourni ou de tout appareil capable de fournir une tension de 5V via un câble USB to Micro USB standard, notamment un ordinateur ou un téléviseur. Offre également une connexion vers le logiciel Blackmagic Converters Setup via un ordinateur Mac OS X ou Windows.
- 4 Sortie SDI**  
Connecteur BNC pour sortie vidéo SDI.
- 5 Entrée SDI**  
Connecteur BNC pour entrée vidéo SDI.

## Paramètres du Blackmagic Converters Setup

L'utilitaire Blackmagic Converters Setup vous permet de modifier les paramètres et de mettre à jour le logiciel des Micro Converters. Vous pouvez accéder à ces paramètres en utilisant les onglets **Video** et **About**.

Vous trouverez de plus amples informations concernant l'onglet **About** dans la section « Régler les paramètres » de ce manuel.

L'onglet **Video** du Micro Converter BiDirectional SDI/HDMI donne accès aux paramètres suivants :



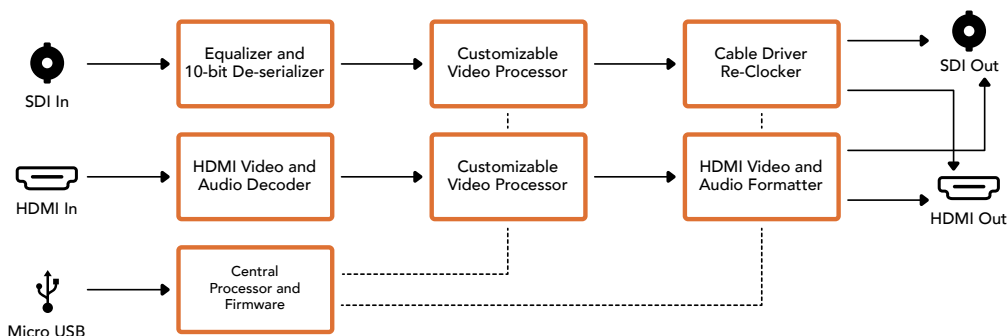
Le paramètre **Clip video output to legal levels** est coché par défaut. Il permet de garantir que la sortie HDMI correspond exactement à l'entrée SDI.

### Menu Processing

La case **Clip video output to legal levels** contrôle l'écrêtage de l'entrée SDI pour garantir des niveaux HDMI légaux. Elle est cochée par défaut.

Le réglage **3G Output** vous permet de sélectionner une sortie 3G-SDI de niveau A ou de niveau B. Elle modifie le standard de la sortie 3G-SDI afin de conserver une compatibilité avec des équipements qui ne peuvent recevoir que de la vidéo 3G-SDI de niveau A et B. Par défaut, ce paramètre est réglé sur Niveau B.

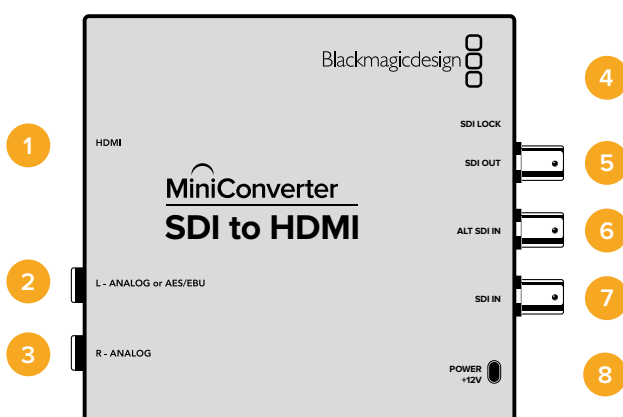
## Schéma fonctionnel du Micro Converter BiDirectional SDI/HDMI



# Blackmagic Mini Converters

## Mini Converter SDI to HDMI

Le Mini Converter SDI to HDMI vous permet de connecter une large gamme d'écrans et de vidéoprojecteurs HDMI à du matériel SDI. Le Mini Converter SDI to HDMI détecte automatiquement les signaux SD/HD/3G-SDI et les convertit en HDMI avec audio intégré, ainsi qu'en sortie audio analogique ou AES/EBU symétrique.



## Connecteurs

- 1 HDMI**  
Sortie vidéo HDMI de type A.
- 2 L - ANALOGIQUE ou AES/EBU**  
Jack de 1/4" pour le canal audio symétrique analogique gauche ou la sortie audio numérique AES/EBU.
- 3 R - ANALOGIQUE**  
Jack de 1/4" pour le canal audio analogique symétrique droit.
- 4 PORT USB MINI-B**  
Offre une connexion vers le logiciel Blackmagic Converters Setup via un ordinateur Mac OS X ou Windows. Le logiciel interne du Mini Converter peut également être mis à jour à l'aide du port USB.
- 5 SORTIE SDI**  
Connecteur BNC pour sortie vidéo SDI.

- 6 ENTRÉE SDI ALT**  
Entrée SDI redondante.
- 7 ENTRÉE SDI**  
Entrée SDI principale.
- 8 ALIMENTATION +12V**  
Entrée d'alimentation 12 volts.

## Interrupteurs

### Interrupteur 8 - Analog Audio, AES/EBU Audio

Réglez l'interrupteur 8 sur OFF pour sélectionner de l'audio symétrique analogique, ou sur ON pour une sortie audio numérique AES/EBU.

### Interrupteur 4 - SDI Audio De-Embed Bit 2

Les interrupteurs 4, 3 et 2 sont regroupés pour fournir huit combinaisons ON/OFF. Grâce à ces huit combinaisons, huit paires de canaux audio indépendants peuvent être isolées de l'entrée SDI et acheminées en signal HDMI, audio analogique ou audio AES/EBU.

### Interrupteur 3 - SDI Audio De-Embed Bit 1

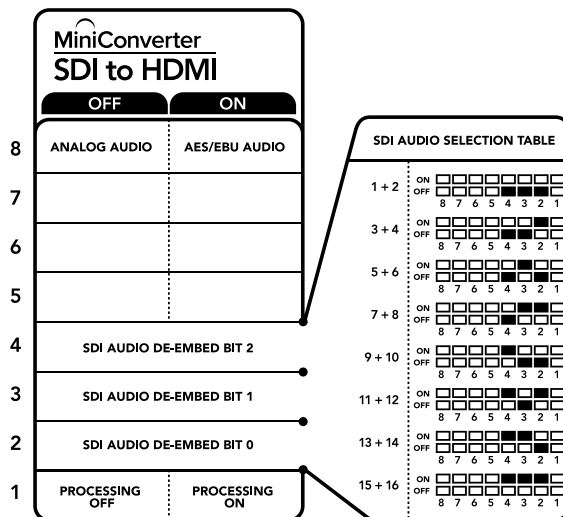
Référez-vous à la description de l'interrupteur 4.

### Interrupteur 2 - SDI Audio De-Embed Bit 0

Référez-vous à la description de l'interrupteur 4.

### Interrupteur 1 - Processing Off - Processing On

Cet interrupteur ne peut pas être utilisé.



La légende située sous le convertisseur vous donne toutes les informations nécessaires pour changer les paramètres de conversion.

## Exemple de paramétrage des interrupteurs

Réglez les interrupteurs 8, 4, 3 et 2 du Blackmagic Mini Converter sur OFF pour isoler les canaux audio 1 et 2 du signal SDI et les acheminer en sortie analogique.

Tableau de sélection de l'audio SDI

Canaux audio	Interrupteur 4	Interrupteur 3	Interrupteur 2	Schéma
1 et 2	OFF	OFF	OFF	
3 et 4	OFF	OFF	ON	
5 et 6	OFF	ON	OFF	
7 et 8	OFF	ON	ON	
9 et 10	ON	OFF	OFF	
11 et 12	ON	OFF	ON	
13 et 14	ON	ON	OFF	
15 et 16	ON	ON	ON	

## Paramètres du Blackmagic Converters Setup

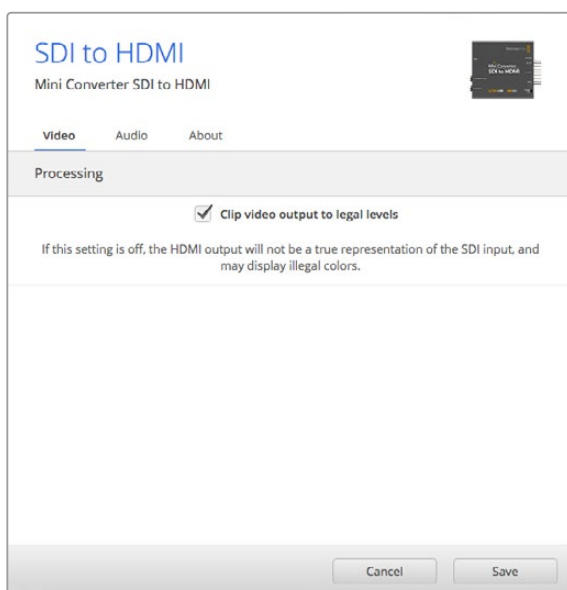
Cet utilitaire peut être utilisé pour modifier les paramètres du convertisseur et mettre à jour le logiciel interne. Vous pouvez accéder à ces paramètres en utilisant les onglets **Video**, **Audio** et **About**.

Vous trouverez de plus amples informations concernant l'onglet **About** dans la section « Régler les paramètres » de ce manuel.

L'onglet **Video** du Mini Converter SDI to HDMI donne accès aux paramètres suivants.

### Menu Processing

La case **Clip video output to legal levels** contrôle l'écrêtage de l'entrée SDI pour garantir des niveaux HDMI légaux. Elle est cochée par défaut.

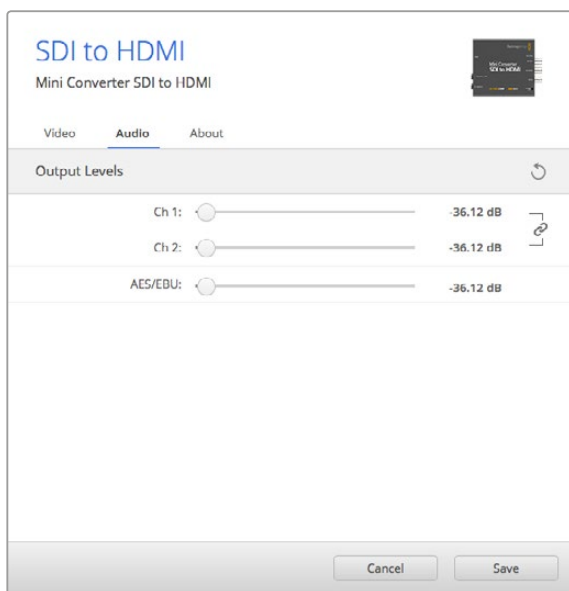


Le paramètre **Clip video output to legal levels** est coché par défaut. Cela permet à la sortie vidéo HDMI de conserver des niveaux légaux.

L'onglet **Audio** du Mini Converter SDI to HDMI donne accès aux paramètres suivants.

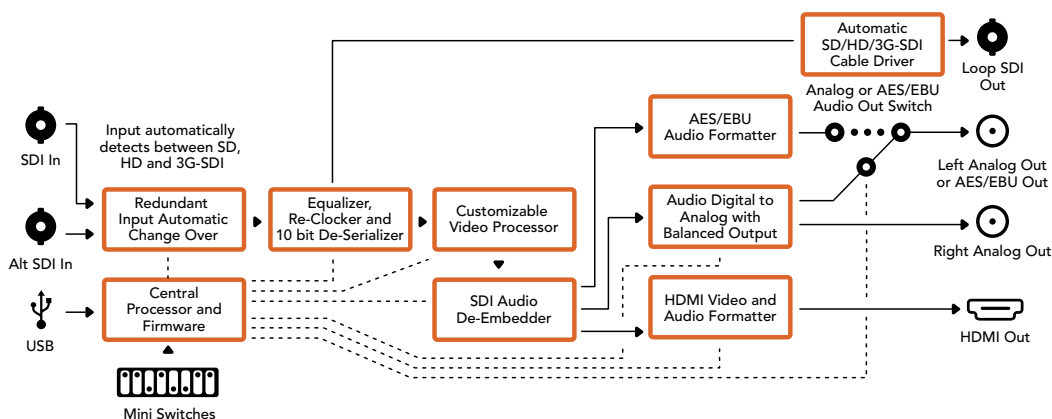
### Menu Output Levels

Ce menu vous permet d'ajuster le gain de la sortie audio. Vous pouvez ajuster les niveaux audio par canal ou ensemble, en cliquant sur l'icône de liaison située à côté des curseurs. Pour réinitialiser tous les niveaux audio sur 0dB, cliquez sur le bouton de réinitialisation situé en haut du menu **Output levels**.



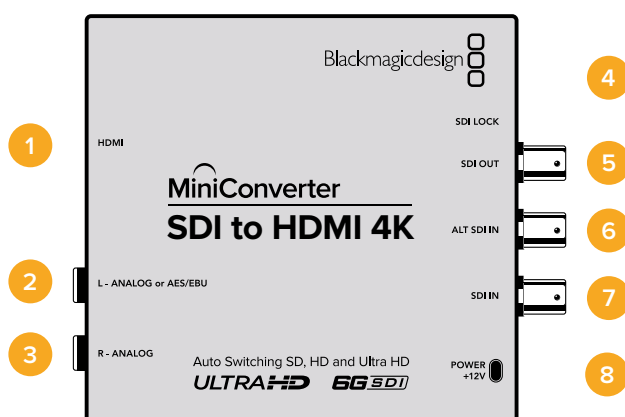
Utilisez l'onglet **Audio** du Blackmagic Converters Setup pour ajuster les niveaux audio.

### Schéma fonctionnel du Mini Converter SDI to HDMI



## Mini Converter SDI to HDMI 4K

Les modèles Mini Converter SDI to HDMI 4K et SDI to HDMI 4K Heavy Duty vous permettent de connecter une large gamme d'écrans et de vidéoprojecteurs HDMI à du matériel SDI. Le Mini Converter SDI to HDMI 4K détecte automatiquement les signaux SD/HD/3G/6G-SDI et les convertit en HDMI avec audio intégré, et en audio analogique ou AES/EBU symétrique. La fonction HDMI Instant Lock vous permet de synchroniser instantanément la sortie HDMI pour effectuer des changements propres des sources, lorsque celles-ci ont le même format. Si le convertisseur détecte un moniteur ou un téléviseur HD connecté à la sortie HDMI mais qu'une source Ultra HD est connectée à l'entrée SDI, la source sera alors automatiquement down-convertie afin qu'elle s'affiche sur l'écran HD.



## Connecteurs

- 1 HDMI**  
Sortie vidéo HDMI de type A.
- 2 L - ANALOGIQUE ou AES/EBU**  
Jack de 1/4" pour le canal audio symétrique analogique gauche ou la sortie audio numérique AES/EBU.
- 3 R - ANALOGIQUE**  
Jack de 1/4" pour le canal audio analogique symétrique droit.
- 4 PORT USB MINI-B**  
Offre une connexion vers le logiciel Blackmagic Converters Setup via un ordinateur Mac OS X ou Windows. Le logiciel interne du Mini Converter peut également être mis à jour à l'aide du port USB.
- 5 SORTIE SDI**  
Connecteur BNC pour sortie vidéo SDI.
- 6 ENTRÉE SDI ALT**  
Entrée SDI redondante.
- 7 ENTRÉE SDI**  
Entrée SDI principale.
- 8 ALIMENTATION +12V**  
Entrée d'alimentation 12 volts.

## Interrupteurs

**CONSEIL** Sur le modèle Mini Converter Heavy Duty, les interrupteurs sont protégés par un support en caoutchouc. Pour accéder aux interrupteurs, il suffit de soulever le support.

Les interrupteurs du Mini Converter SDI to HDMI 4K donnent accès aux paramètres suivants :

### Interrupteur 8 - Analog Audio, AES/EBU Audio

Réglez l'interrupteur 8 sur OFF pour sélectionner de l'audio symétrique analogique, ou sur ON pour une sortie audio numérique AES/EBU.

### Interrupteur 4 - SDI Audio De-Embed Bit 2

Les interrupteurs 4, 3 et 2 sont regroupés pour fournir huit combinaisons ON/OFF. Grâce à ces huit combinaisons, huit paires de canaux audio indépendants peuvent être isolées de l'entrée SDI et acheminées en signal HDMI, audio analogique ou audio AES/EBU.



### Interrupteur 3 - SDI Audio De-Embed Bit 1

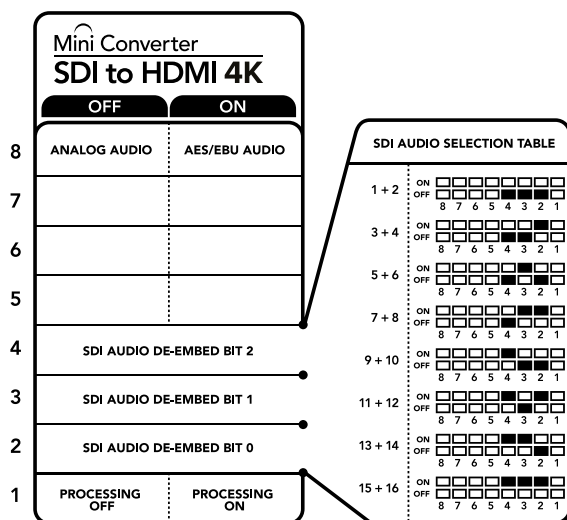
Référez-vous à la description de l'interrupteur 4.

### Interrupteur 2 - SDI Audio De-Embed Bit 0

Référez-vous à la description de l'interrupteur 4.

### Interrupteur 1 - Processing Off - Processing On

Cet interrupteur ne peut pas être utilisé.



La légende située sous le convertisseur vous donne toutes les informations nécessaires pour changer les paramètres de conversion.

### Exemple de paramétrage des interrupteurs

Régalez les interrupteurs 8, 4, 3 et 2 du Blackmagic Mini Converter sur OFF pour isoler les canaux audio 1 et 2 du signal SDI et les acheminer en sortie analogique.

### Tableau de sélection de l'audio SDI

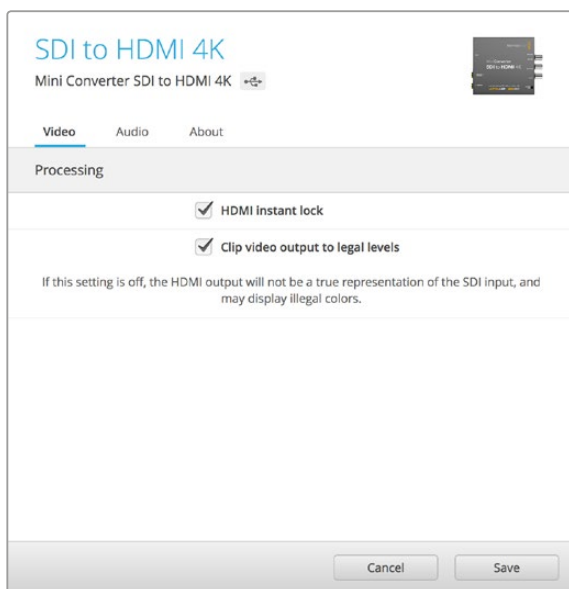
Canaux audio	Interrupteur 4	Interrupteur 3	Interrupteur 2	Schéma
1 et 2	OFF	OFF	OFF	ON <input type="checkbox"/> <input type="checkbox"/> <input type="checkbox"/> <input type="checkbox"/> <input type="checkbox"/> <input type="checkbox"/> <input type="checkbox"/> <input type="checkbox"/> <input type="checkbox"/> <input type="checkbox"/> <input type="checkbox"/> OFF <input type="checkbox"/> <input type="checkbox"/> <input type="checkbox"/> <input type="checkbox"/> <input type="checkbox"/> <input type="checkbox"/> <input type="checkbox"/> <input type="checkbox"/> <input type="checkbox"/> <input type="checkbox"/> 8 7 6 5 4 3 2 1
3 et 4	OFF	OFF	ON	ON <input type="checkbox"/> <input type="checkbox"/> <input type="checkbox"/> <input type="checkbox"/> <input type="checkbox"/> <input type="checkbox"/> <input type="checkbox"/> <input type="checkbox"/> <input type="checkbox"/> <input type="checkbox"/> OFF <input type="checkbox"/> <input type="checkbox"/> <input type="checkbox"/> <input type="checkbox"/> <input type="checkbox"/> <input type="checkbox"/> <input type="checkbox"/> <input type="checkbox"/> <input type="checkbox"/> <input type="checkbox"/> 8 7 6 5 4 3 2 1
5 et 6	OFF	ON	OFF	ON <input type="checkbox"/> <input type="checkbox"/> <input type="checkbox"/> <input type="checkbox"/> <input type="checkbox"/> <input type="checkbox"/> <input type="checkbox"/> <input type="checkbox"/> <input type="checkbox"/> <input type="checkbox"/> OFF <input type="checkbox"/> <input type="checkbox"/> <input type="checkbox"/> <input type="checkbox"/> <input type="checkbox"/> <input type="checkbox"/> <input type="checkbox"/> <input type="checkbox"/> <input type="checkbox"/> <input type="checkbox"/> 8 7 6 5 4 3 2 1
7 et 8	OFF	ON	ON	ON <input type="checkbox"/> <input type="checkbox"/> <input type="checkbox"/> <input type="checkbox"/> <input type="checkbox"/> <input type="checkbox"/> <input type="checkbox"/> <input type="checkbox"/> <input type="checkbox"/> <input type="checkbox"/> OFF <input type="checkbox"/> <input type="checkbox"/> <input type="checkbox"/> <input type="checkbox"/> <input type="checkbox"/> <input type="checkbox"/> <input type="checkbox"/> <input type="checkbox"/> <input type="checkbox"/> <input type="checkbox"/> 8 7 6 5 4 3 2 1
9 et 10	ON	OFF	OFF	ON <input type="checkbox"/> <input type="checkbox"/> <input type="checkbox"/> <input type="checkbox"/> <input type="checkbox"/> <input type="checkbox"/> <input type="checkbox"/> <input type="checkbox"/> <input type="checkbox"/> <input type="checkbox"/> OFF <input type="checkbox"/> <input type="checkbox"/> <input type="checkbox"/> <input type="checkbox"/> <input type="checkbox"/> <input type="checkbox"/> <input type="checkbox"/> <input type="checkbox"/> <input type="checkbox"/> <input type="checkbox"/> 8 7 6 5 4 3 2 1
11 et 12	ON	OFF	ON	ON <input type="checkbox"/> <input type="checkbox"/> <input type="checkbox"/> <input type="checkbox"/> <input type="checkbox"/> <input type="checkbox"/> <input type="checkbox"/> <input type="checkbox"/> <input type="checkbox"/> <input type="checkbox"/> OFF <input type="checkbox"/> <input type="checkbox"/> <input type="checkbox"/> <input type="checkbox"/> <input type="checkbox"/> <input type="checkbox"/> <input type="checkbox"/> <input type="checkbox"/> <input type="checkbox"/> <input type="checkbox"/> 8 7 6 5 4 3 2 1
13 et 14	ON	ON	OFF	ON <input type="checkbox"/> <input type="checkbox"/> <input type="checkbox"/> <input type="checkbox"/> <input type="checkbox"/> <input type="checkbox"/> <input type="checkbox"/> <input type="checkbox"/> <input type="checkbox"/> <input type="checkbox"/> OFF <input type="checkbox"/> <input type="checkbox"/> <input type="checkbox"/> <input type="checkbox"/> <input type="checkbox"/> <input type="checkbox"/> <input type="checkbox"/> <input type="checkbox"/> <input type="checkbox"/> <input type="checkbox"/> 8 7 6 5 4 3 2 1
15 et 16	ON	ON	ON	ON <input type="checkbox"/> <input type="checkbox"/> <input type="checkbox"/> <input type="checkbox"/> <input type="checkbox"/> <input type="checkbox"/> <input type="checkbox"/> <input type="checkbox"/> <input type="checkbox"/> <input type="checkbox"/> OFF <input type="checkbox"/> <input type="checkbox"/> <input type="checkbox"/> <input type="checkbox"/> <input type="checkbox"/> <input type="checkbox"/> <input type="checkbox"/> <input type="checkbox"/> <input type="checkbox"/> <input type="checkbox"/> 8 7 6 5 4 3 2 1

## Paramètres du Blackmagic Converters Setup

Cet utilitaire peut être utilisé pour modifier les paramètres du convertisseur et mettre à jour le logiciel interne. Vous pouvez accéder à ces paramètres en utilisant les onglets **Video**, **Audio** et **About**.

Vous trouverez de plus amples informations concernant l'onglet **About** dans la section « Régler les paramètres » de ce manuel.

L'onglet **Video** du Mini Converter SDI to HDMI 4K donne accès aux paramètres suivants.



Le paramètre **Clip video output to legal levels** est coché par défaut. Cela permet à la sortie vidéo HDMI de conserver des niveaux légaux.

### Menu Processing

- **Fonction HDMI Instant Lock**

Cochez cette case pour activer la fonction HDMI Instant Lock. Quand la fonction HDMI Instant Lock est activée, le signal de sortie HDMI ne s'interrompt pas quand les sources changent. Le convertisseur n'attend pas que la synchronisation des téléviseurs ou des moniteurs HDMI soit effectuée pour afficher le signal de sortie vidéo. Le signal HDMI est en effet déjà synchronisé. Cette fonction ne fonctionne que lorsque les différentes sources sont au même format.

La fonction HDMI Instant Lock peut faire apparaître un petit décalage sur la vidéo et l'audio. Si vous souhaitez travailler sans décalage, décochez la case pour désactiver la fonction.

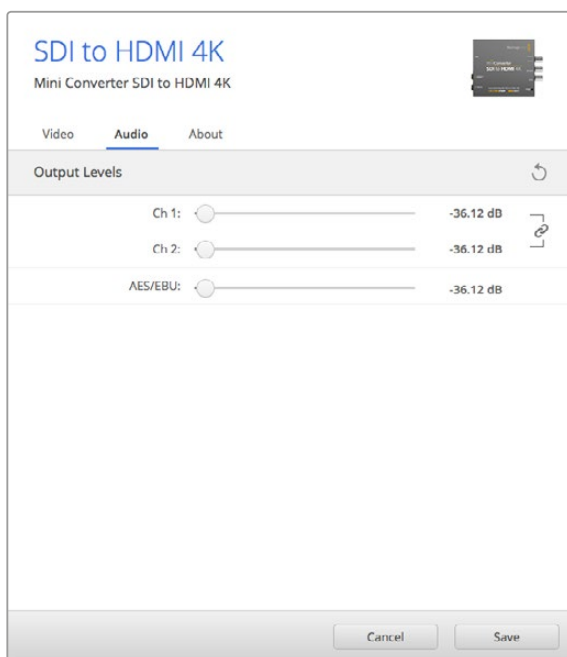
- **Fonction Clip video output to legal levels**

Cette case contrôle l'écrêtage de l'entrée SDI pour garantir des niveaux HDMI légaux. Elle est cochée par défaut.

### Menu Output Levels

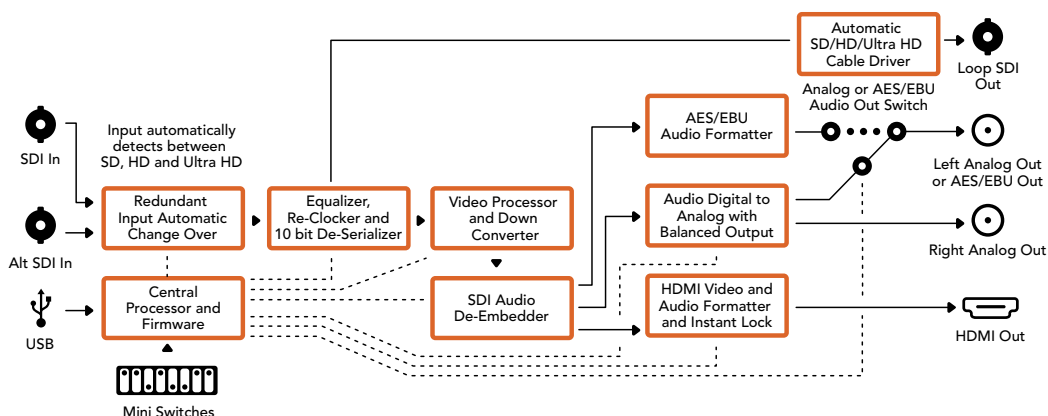
Ce menu vous permet de modifier le gain de la sortie vidéo. Vous pouvez ajuster les niveaux audio par canal ou ensemble, en cliquant sur l'icône de liaison située à côté des curseurs. Pour réinitialiser tous les niveaux audio sur 0dB, cliquez sur le bouton de réinitialisation situé en haut du menu **Output levels**.

L'onglet **Audio** du Mini Converter SDI to HDMI 4K donne accès aux paramètres suivants.



Utilisez l'onglet **Audio** du Blackmagic Converters Setup pour ajuster les niveaux audio.

## Schéma fonctionnel du Mini Converter SDI to HDMI 4K

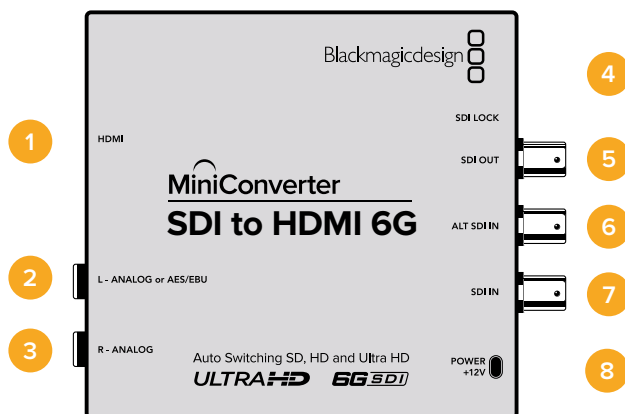


## Mini Converter SDI to HDMI 6G

Grâce au Mini Converter SDI to HDMI 6G, vous pouvez connecter une large gamme d'écrans et de vidéoprojecteurs HDMI à du matériel SDI. Le Mini Converter SDI to HDMI 6G détecte automatiquement les sources d'entrée SD SDI, HD-SDI, 3G-SDI et 6G-SDI. Il convertit ces signaux en HDMI avec audio intégré et fournit également une sortie audio symétrique AES/EBU ou audio analogique.

La fonction HDMI Instant Lock vous permet de synchroniser instantanément la sortie HDMI pour effectuer des changements propres de sources, lorsque celles-ci ont le même format. Si le convertisseur détecte un moniteur ou un téléviseur HD connecté à la sortie HDMI mais qu'une source Ultra HD est connectée à l'entrée SDI, la source sera alors automatiquement down-convertie afin qu'elle s'affiche sur l'écran HD.

Vous pouvez également charger des LUTs 3D pour améliorer le rendu, l'étalonnage et les profils colorimétriques de la sortie convertie. Une LUT 3D est une table de correspondance à 33 points qui permet de manipuler précisément la couleur et le calibrage des téléviseurs. Elle permet donc d'effectuer un étalonnage précis. De plus, elle permet de convertir les espaces colorimétriques, qui peuvent donc être utilisés sur différents écrans. Le Mini Converter SDI to HDMI 6G comprend deux LUTs par défaut : une LUT couleur vers monochrome et une LUT espace colorimétrique des caméras Blackmagic vers REC 709.



## Connecteurs

- 1 HDMI**  
Sortie vidéo HDMI de type A.
- 2 L - ANALOGIQUE ou AES/EBU**  
Jack de 1/4" pour le canal audio symétrique analogique gauche ou la sortie audio numérique AES/EBU.
- 3 R - ANALOGIQUE**  
Jack de 1/4" pour le canal audio analogique symétrique droit.
- 4 PORT USB MINI-B**  
Offre une connexion vers le logiciel Blackmagic Converters Setup via un ordinateur Mac OS X ou Windows. Le logiciel interne du Mini Converter peut également être mis à jour à l'aide du port USB.
- 5 SORTIE SDI**  
Connecteur BNC pour sortie vidéo SDI.
- 6 ENTRÉE SDI ALT**  
Entrée SDI redondante.
- 7 ENTRÉE SDI**  
Entrée SDI principale.
- 8 ALIMENTATION +12V**  
Entrée d'alimentation 12 volts.

## Interrupteurs

Les interrupteurs du Mini Converter SDI to HDMI 6G donnent accès aux paramètres suivants :

### Interrupteur 8 - Analog Audio, AES/EBU Audio

Réglez l'interrupteur 8 sur OFF pour sélectionner de l'audio symétrique analogique, ou sur ON pour une sortie audio numérique AES/EBU.

### Interrupteur 7 - LUT Off, LUT On

Réglez l'interrupteur 7 sur OFF pour désactiver la LUT, ou sur ON pour l'activer.

### Interrupteur 6 - LUT 1, LUT2

Réglez l'interrupteur 6 sur OFF pour sélectionner la LUT 1, ou sur ON pour sélectionner la LUT 2.

### Interrupteur 5 - LUT On Loop Off, LUT On Loop On

Réglez l'interrupteur 5 sur OFF pour désactiver la lecture en boucle de la LUT, ou sur ON pour activer la lecture en boucle.

### Interrupteur 4 - SDI Audio De-Embed Bit 2

Les interrupteurs 4, 3 et 2 sont regroupés pour fournir huit combinaisons ON/OFF. Grâce à ces huit combinaisons, huit paires de canaux audio indépendants peuvent être isolées de l'entrée SDI et acheminées en signal HDMI, audio analogique ou audio AES/EBU.

### Interrupteur 3 - SDI Audio De-Embed Bit 1

Référez-vous à la description de l'interrupteur 4.

### Interrupteur 2 - SDI Audio De-Embed Bit 0

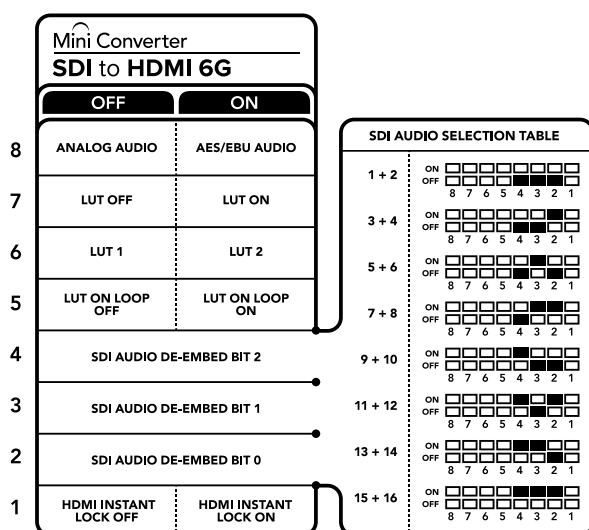
Référez-vous à la description de l'interrupteur 4.

### Interrupteur 1 - HDMI Instant Lock Off, HDMI Instant Lock On

Réglez l'interrupteur 1 sur OFF pour désactiver la fonction HDMI Instant Lock, ou sur ON pour l'activer.

Quand la fonction HDMI Instant lock est activée, le signal de sortie HDMI ne s'interrompt pas quand les sources changent. Le convertisseur n'attend pas que la synchronisation des téléviseurs ou des moniteurs HDMI soit effectuée pour afficher le signal de sortie vidéo. Le signal HDMI est en effet déjà synchronisé. Cette fonction ne fonctionne que lorsque les différentes sources sont au même format.

La fonction HDMI Instant lock peut faire apparaître un petit décalage sur la vidéo et l'audio. Si vous souhaitez travailler sans décalage, vous pouvez la désactiver en réglant l'interrupteur de la fonction HDMI Instant Lock sur OFF.



La légende située sous le convertisseur vous donne toutes les informations nécessaires pour changer les paramètres de conversion.

### Exemple de paramétrage des interrupteurs

Réglez les interrupteurs 8, 4, 3 et 2 du Blackmagic Mini Converter sur OFF pour isoler les canaux audio 1 et 2 du signal SDI et les acheminer en sortie analogique.

## Tableau de sélection de l'audio SDI

Audio Channels	Switch 4	Switch 3	Switch 2	Switch Diagram
1 and 2	OFF	OFF	OFF	ON OFF <input type="checkbox"/> <input type="checkbox"/> <input type="checkbox"/> <input type="checkbox"/> <input type="checkbox"/> <input type="checkbox"/> <input type="checkbox"/> <input type="checkbox"/> 8 7 6 5 4 3 2 1
3 and 4	OFF	OFF	ON	ON OFF <input type="checkbox"/> <input type="checkbox"/> <input type="checkbox"/> <input type="checkbox"/> <input type="checkbox"/> <input type="checkbox"/> <input type="checkbox"/> <input checked="" type="checkbox"/> 8 7 6 5 4 3 2 1
5 and 6	OFF	ON	OFF	ON OFF <input type="checkbox"/> <input type="checkbox"/> <input checked="" type="checkbox"/> <input type="checkbox"/> <input type="checkbox"/> <input type="checkbox"/> <input type="checkbox"/> <input type="checkbox"/> 8 7 6 5 4 3 2 1
7 and 8	OFF	ON	ON	ON OFF <input type="checkbox"/> <input type="checkbox"/> <input checked="" type="checkbox"/> <input checked="" type="checkbox"/> <input type="checkbox"/> <input type="checkbox"/> <input type="checkbox"/> <input type="checkbox"/> 8 7 6 5 4 3 2 1
9 and 10	ON	OFF	OFF	ON OFF <input checked="" type="checkbox"/> <input type="checkbox"/> <input type="checkbox"/> <input type="checkbox"/> <input type="checkbox"/> <input type="checkbox"/> <input type="checkbox"/> <input type="checkbox"/> 8 7 6 5 4 3 2 1
11 and 12	ON	OFF	ON	ON OFF <input checked="" type="checkbox"/> <input checked="" type="checkbox"/> <input type="checkbox"/> <input type="checkbox"/> <input type="checkbox"/> <input type="checkbox"/> <input type="checkbox"/> <input type="checkbox"/> 8 7 6 5 4 3 2 1
13 and 14	ON	ON	OFF	ON OFF <input checked="" type="checkbox"/> <input type="checkbox"/> <input checked="" type="checkbox"/> <input type="checkbox"/> <input type="checkbox"/> <input type="checkbox"/> <input type="checkbox"/> <input type="checkbox"/> 8 7 6 5 4 3 2 1
15 and 16	ON	ON	ON	ON OFF <input checked="" type="checkbox"/> <input checked="" type="checkbox"/> <input checked="" type="checkbox"/> <input checked="" type="checkbox"/> <input type="checkbox"/> <input type="checkbox"/> <input type="checkbox"/> <input type="checkbox"/> 8 7 6 5 4 3 2 1

## Paramètres du Blackmagic Converters Setup

Cet utilitaire peut être utilisé pour modifier les paramètres du convertisseur et mettre à jour le logiciel interne. Vous pouvez accéder à ces paramètres en utilisant les onglets **Video**, **Audio** et **About**. Vous trouverez de plus amples informations concernant l'onglet **About** dans la section « Régler les paramètres » de ce manuel.

L'onglet **Video** du Mini Converter SDI to HDMI 6G donne accès aux paramètres suivants :



Le paramètre **Clip video output to legal levels** est coché par défaut. Cela permet à la sortie vidéo HDMI de conserver des niveaux légaux.

### Menu Processing

- **LUT 3D à 33 points**

Le Mini Converter SDI to HDMI 6G prend en charge les fichiers LUT .cube, créés avec DaVinci Resolve ou avec d'autres logiciels d'étalonnage prenant en charge ce format.

Appuyez sur le bouton **Load** de chaque LUT pour charger 2 LUTs distinctes. Sélectionnez le fichier .cube que vous souhaitez utiliser, puis cliquez sur **OK**. Cliquez sur **Save** pour confirmer. Le nom du fichier de la LUT apparaît à côté du bouton **Load**, vous savez ainsi quelle LUT est utilisée pour la LUT 1 ou 2.

- **Qu'est-ce qu'une LUT 3D ?**

Une LUT 3D, ou table de conversion 3D, contient des valeurs qui permettent de modifier l'espace colorimétrique de la vidéo dans un cube colorimétrique.

Le cube colorimétrique contient toutes les variations des couleurs primaires, inscrites sur les axes : x, y et z. Les canaux RVB des entrées vidéo SDI peuvent donc être réassignés à n'importe quel signal de sortie RVB sur la sortie HDMI. Cet outil est très performant, car les couleurs peuvent être assignées à n'importe quelles autres couleurs. Le réglage des couleurs pour calibrer les écrans est donc extrêmement précis. Il est également possible de charger des courbes gamma logarithmiques pour afficher le gamma linéaire des fichiers RAW.

Les LUTs 3D par défaut peuvent notamment convertir un signal d'entrée vidéo en noir et blanc. Grâce à la LUT 3D, toutes les couleurs RVB du signal d'entrée sont alors réassignées à des valeurs RVB noir et blanc sur la sortie HDMI. Si vous le souhaitez, vous pouvez créer vos propres LUTs 3D et les charger dans DaVinci Resolve. Ce logiciel vous permet également de convertir un paramètre d'étalonnage en une LUT, que vous pourrez ensuite charger dans votre Mini Converter SDI to HDMI 6G. Vous pouvez aussi acheminer la LUT 3D vers une sortie vidéo en boucle SDI, et ainsi utiliser le Mini Converter comme processeur couleur sans passer par la sortie HDMI.

Pour plus d'informations sur la façon de créer un fichier .cube, téléchargez le manuel DaVinci Resolve sur le site Internet de Blackmagic Design : [www.blackmagicdesign.com/fr/support](http://www.blackmagicdesign.com/fr/support).

- **Clip Video Output to Legal Levels**

Cette case contrôle l'écrêtage de l'entrée SDI pour garantir des niveaux HDMI légaux. Elle est cochée par défaut.

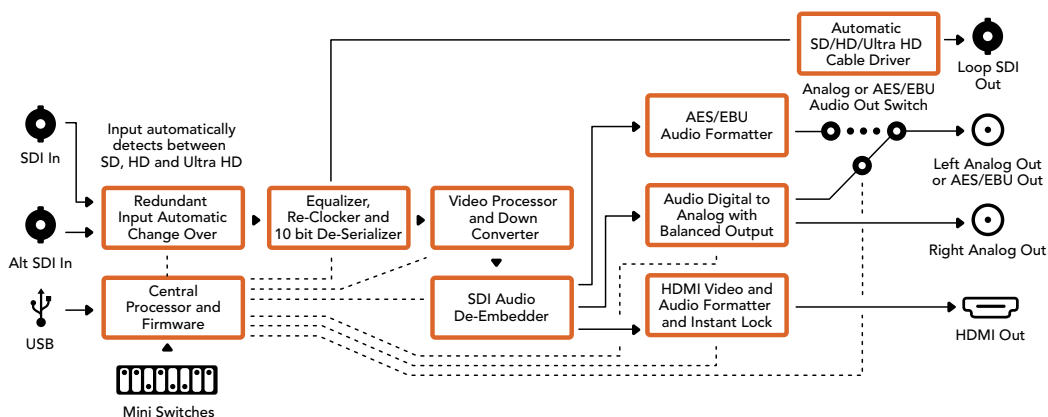
### Menu Output Levels

Ce menu vous permet d'ajuster le gain de la sortie audio. Vous pouvez ajuster les niveaux audio par canal ou ensemble, en cliquant sur l'icône de liaison située à côté des curseurs. Pour réinitialiser tous les niveaux audio sur 0dB, cliquez sur le bouton de réinitialisation situé en haut du menu **Output levels**. L'onglet **Audio** du Mini Converter SDI to HDMI 6G donne accès aux paramètres suivants :



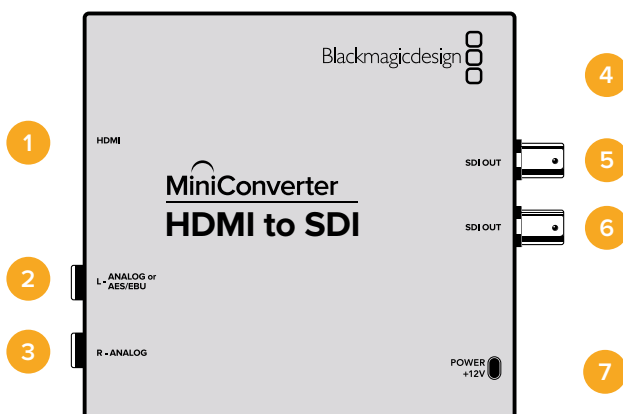
Utilisez l'onglet **Audio** du Blackmagic Converters Setup pour ajuster les niveaux audio

## Schéma fonctionnel du Mini Converter SDI to HDMI 6G



## Mini Converter HDMI to SDI

Le Mini Converter HDMI to SDI permet de convertir des sorties HDMI provenant d'appareils tels que des caméras HDV et des consoles de jeux en SDI. Il permet également d'intégrer l'audio provenant des entrées audio HDMI, AES/EBU ou audio symétrique analogique. Vous pouvez ainsi envoyer des signaux vidéo provenant d'appareils HDMI à du matériel SDI à l'aide de longs câbles SDI. Vous pouvez même ajouter des sorties SDI à des ordinateurs équipés de connexions HDMI. Ce convertisseur comprend également la down-conversion HD vers SD.



## Connecteurs

- 1 HDMI**  
Entrée vidéo HDMI de type A.
- 2 L - ANALOGIQUE ou AES/EBU**  
Jack de 1/4" pour le canal audio symétrique analogique gauche ou l'entrée audio numérique AES/EBU.
- 3 R - ANALOGIQUE**  
Jack de 1/4" pour le canal audio analogique symétrique droit.
- 4 PORT USB MINI-B**  
Offre une connexion vers le logiciel Blackmagic Converters Setup via un ordinateur Mac OS X ou Windows. Le logiciel interne du Mini Converter peut également être mis à jour à l'aide du port USB.
- 5 SORTIE SDI**  
Connecteur BNC pour sortie vidéo SDI.



## 6 SORTIE SDI

Deuxième sortie SDI.

## 7 ALIMENTATION +12V

Entrée d'alimentation 12 volts.

## Interrupteurs

Les interrupteurs du Mini Converter HDMI to SDI donnent accès aux paramètres suivants :

### Interrupteur 8 - Analog Audio, AES/EBU Audio

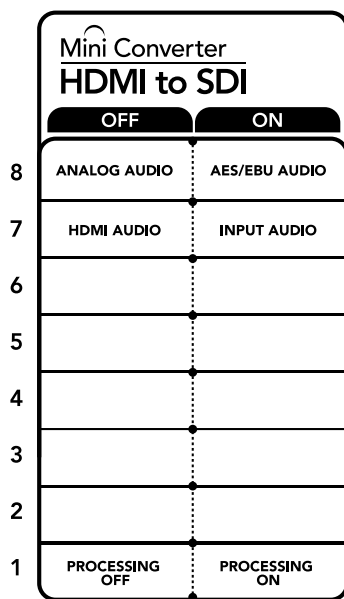
Réglez l'interrupteur 8 sur OFF pour sélectionner de l'audio symétrique analogique, ou sur ON pour une entrée audio numérique AES/EBU. Pour utiliser ces entrées, l'interrupteur 7 doit également être réglé sur ON.

### Interrupteur 7 - HDMI Audio - Input Audio

Réglez l'interrupteur 7 sur OFF pour sélectionner de l'audio HDMI intégré, ou sur ON pour de l'audio analogique ou AES/EBU.

### Interrupteur 1 - Processing Off - Processing On

Down-conversion HD vers SD avec trois types de formats d'image. Faites basculer cet interrupteur entre OFF et ON pour passer du format d'image anamorphosé au format d'image Center Cut puis au format Letterbox. En laissant l'interrupteur 1 sur OFF, vous éviterez la down-conversion et acheminerez le signal en HD.



La légende située sous le convertisseur vous donne toutes les informations nécessaires pour changer les paramètres de conversion.

Lorsque le convertisseur est connecté au Blackmagic Converters Setup via USB, les paramètres de down-conversion sont contrôlés par le logiciel. Si vous souhaitez que le convertisseur garde les paramètres du logiciel en mémoire, il suffit de le déconnecter de l'ordinateur, de redémarrer le convertisseur et de régler la down-conversion à l'aide de l'interrupteur 1.

## Paramètres du Blackmagic Converters Setup

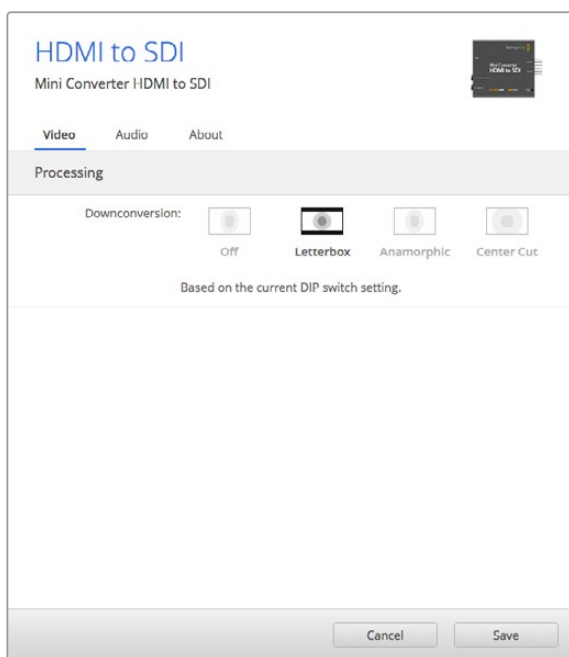
Cet utilitaire peut être utilisé pour modifier les paramètres du convertisseur et mettre à jour le logiciel interne. Vous pouvez accéder à ces paramètres en utilisant les onglets **Video**, **Audio** et **About**.

Vous trouverez de plus amples informations concernant l'onglet **About** dans la section « Régler les paramètres » de ce manuel.

L'onglet **Video** du Mini Converter HDMI to SDI donne accès aux paramètres suivants :

### Menu Processing

Ce menu vous permet de sélectionner le format d'image du contenu down-converti de la HD vers la SD. Les options sont : **Letterbox**, **Anamorphic**, **Center Cut** ou **Off**.

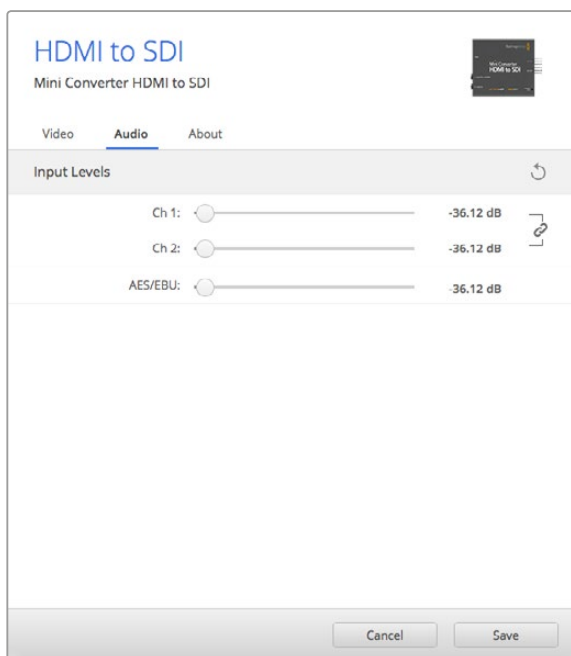


Utilisez l'onglet **Video** du Blackmagic Converters Setup pour modifier les paramètres du menu Processing.

L'onglet **Audio** du Mini Converter HDMI to SDI donne accès aux paramètres suivants.

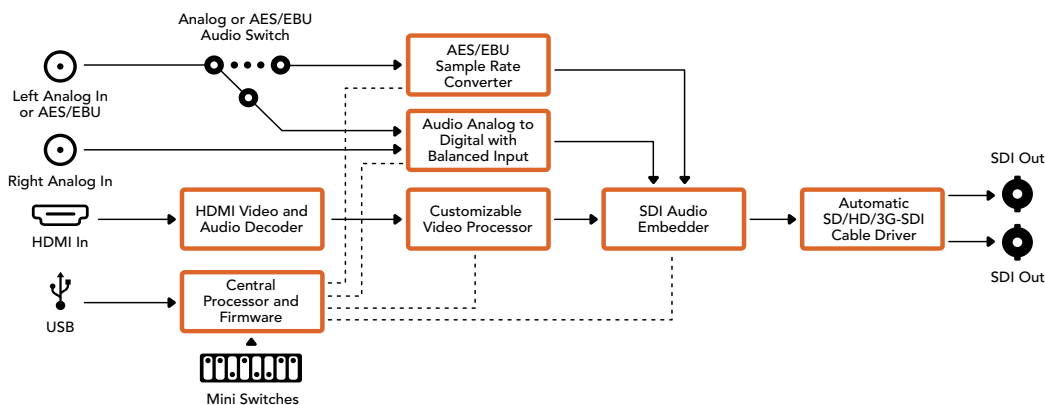
## Menu Input Levels

Ce menu vous permet d'ajuster le gain de l'entrée audio. Vous pouvez ajuster les niveaux audio par canal ou ensemble, en cliquant sur l'icône de liaison située à côté des curseurs. Pour réinitialiser tous les niveaux audio sur 0dB, cliquez sur le bouton de réinitialisation situé en haut du menu **Input levels**.



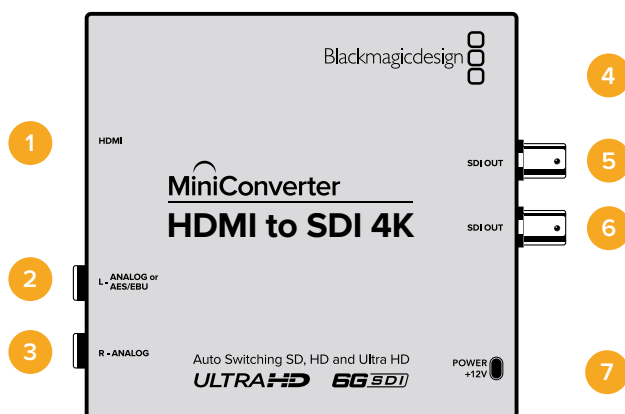
Utilisez l'onglet **Audio** du Blackmagic Converters Setup pour ajuster les niveaux audio.

## Schéma fonctionnel du Mini Converter HDMI to SDI



## Mini Converter HDMI to SDI 4K

Les modèles Mini Converter HDMI to SDI 4K et HDMI to SDI 4K Heavy Duty peuvent convertir des sorties HDMI provenant d'appareils tels que des caméras HDV et des consoles de jeux en SDI. Ils permettent également d'intégrer l'audio provenant des entrées audio HDMI, AES/EBU ou audio symétrique analogique. Vous pouvez ainsi envoyer des signaux vidéo provenant d'appareils HDMI à du matériel SDI à l'aide de longs câbles SDI. Vous pouvez même ajouter des sorties SDI à des ordinateurs équipés de connexions HDMI.



## Connecteurs

- 1 HDMI**  
Entrée vidéo HDMI de type A.
- 2 L - ANALOGIQUE ou AES/EBU**  
Jack de 1/4" pour le canal audio symétrique analogique gauche ou l'entrée audio numérique AES/EBU.
- 3 R - ANALOGIQUE**  
Jack de 1/4" pour le canal audio analogique symétrique droit.
- 4 PORT USB MINI-B**  
Offre une connexion vers le logiciel Blackmagic Converters Setup via un ordinateur Mac OS X ou Windows. Le logiciel interne du Mini Converter peut également être mis à jour à l'aide du port USB.
- 5 SORTIE SDI**  
Connecteur BNC pour sortie vidéo SDI.
- 6 SORTIE SDI**  
Deuxième sortie SDI.
- 7 ALIMENTATION +12V**  
Entrée d'alimentation 12 volts.

## Interrupteurs

**CONSEIL** Sur le modèle Mini Converter Heavy Duty, les interrupteurs sont protégés par un support en caoutchouc. Pour accéder aux interrupteurs, il suffit de soulever le support.

Les interrupteurs du Mini Converter HDMI to SDI 4K donnent accès aux paramètres suivants :

### Interrupteur 8 - Analog Audio, AES/EBU Audio

Réglez l'interrupteur 8 sur OFF pour sélectionner de l'audio symétrique analogique, ou sur ON pour une entrée audio numérique AES/EBU. Pour utiliser ces entrées, l'interrupteur 7 doit également être réglé sur ON.

### Interrupteur 7 - HDMI Audio - Input Audio

Réglez l'interrupteur 7 sur OFF pour sélectionner de l'audio HDMI intégré, ou sur ON pour de l'audio analogique ou AES/EBU.

### Interrupteurs 2, 1 - Select Format Bit 1,0

Lorsque vous connectez une source HDMI qui peut acheminer de l'Ultra HD et de la HD, vous pouvez régler le convertisseur pour qu'il achemine la source vers l'un ou l'autre format. Cela peut être utile si vous enregistrez ou affichez les travaux qui se trouvent sur votre ordinateur sur un écran SDI en HD.

Bien que cela puisse faire penser à une simple up/down conversion, le résultat est assez différent. Le convertisseur négocie en effet avec l'appareil source pour qu'il achemine de la vidéo Ultra HD ou HD. La vidéo native est donc acheminée en HD ou Ultra HD sans conversion.

Pour régler la source vidéo sur HD, Ultra HD ou pour que le convertisseur négocie automatiquement la meilleure résolution avec votre équipement source, utilisez simplement les combinaisons des interrupteurs 1 et 2.

Le réglage de ces combinaisons est indiqué ci-dessous.

#### **AUTO - Interrupteur 1 sur OFF, interrupteur 2 sur OFF.**

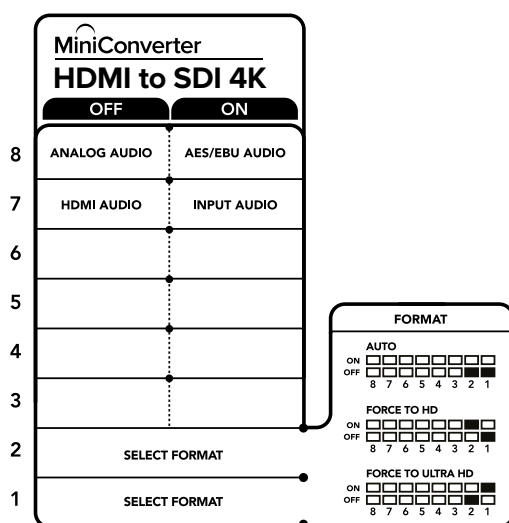
Le convertisseur négocie la résolution optimale entre la HD ou l'Ultra HD avec l'équipement source en fonction de sa capacité de sortie.

#### **FORCE TO HD - Interrupteur 1 sur OFF, interrupteur 2 sur ON.**

Si l'équipement source HDMI est capable d'acheminer de la HD et de l'Ultra HD, le convertisseur le force à acheminer de la vidéo HD.

#### **FORCE TO ULTRA HD - Interrupteur 1 sur ON, interrupteur 2 sur OFF.**

Si l'équipement source HDMI est capable d'acheminer de la HD et de l'Ultra HD, le convertisseur le force à acheminer de la vidéo Ultra HD.



La légende située sous le convertisseur vous donne toutes les informations nécessaires pour changer les paramètres de conversion.

## Paramètres du Blackmagic Converters Setup

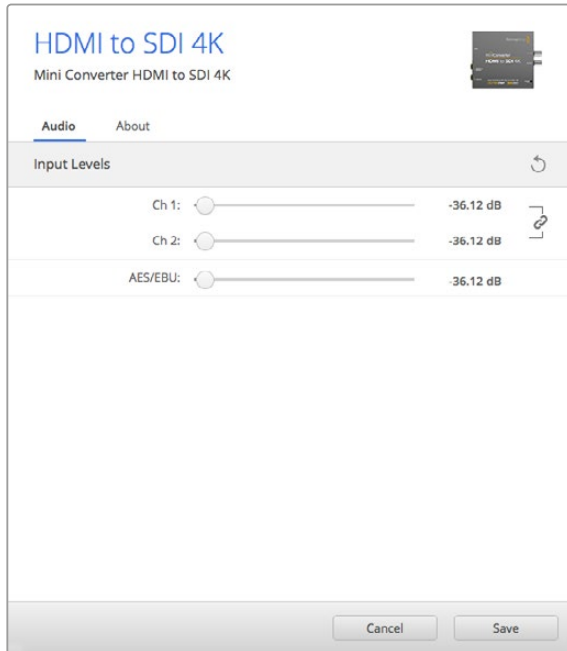
Cet utilitaire peut être utilisé pour modifier les paramètres du convertisseur et mettre à jour le logiciel interne. Vous pouvez accéder à ces paramètres en utilisant les onglets **Audio** et **About**.

Vous trouverez de plus amples informations concernant l'onglet **About** dans la section « Régler les paramètres » de ce manuel.

L'onglet **Audio** du Mini Converter HDMI to SDI 4K donne accès aux paramètres suivants.

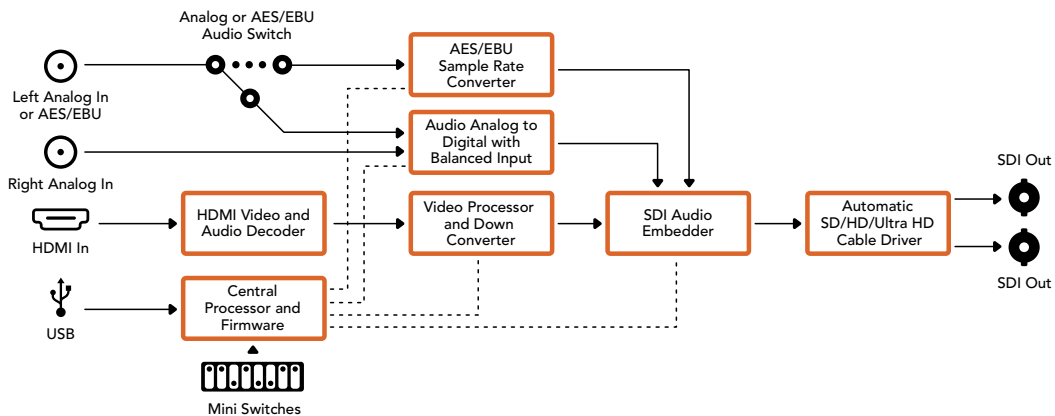
### Menu Input Levels

Ce menu vous permet d'ajuster le gain de l'entrée audio. Vous pouvez ajuster les niveaux audio par canal ou ensemble, en cliquant sur l'icône de liaison située à côté des curseurs. Pour réinitialiser tous les niveaux audio sur 0dB, cliquez sur le bouton de réinitialisation situé en haut du menu **Input levels**.



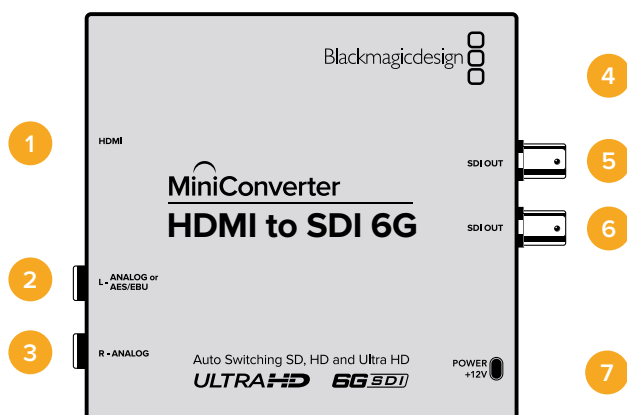
Utilisez l'onglet **Audio** du Blackmagic Converters Setup pour ajuster les niveaux audio.

### Schéma fonctionnel du Mini Converter HDMI to SDI 4K



### Mini Converter HDMI to SDI 6G

Le Mini Converter HDMI to SDI 6G permet de convertir des sorties HDMI provenant d'appareils tels que des caméras HDV et des consoles de jeux en SDI. Il permet également d'intégrer l'audio provenant des entrées audio HDMI, AES/EBU ou audio symétrique analogique. Vous pouvez ainsi envoyer des signaux vidéo provenant d'appareils HDMI à du matériel SDI à l'aide de longs câbles SDI. Vous pouvez même ajouter des sorties SDI à des ordinateurs équipés de connexions HDMI.



## Connecteurs

- 1 HDMI**  
Entrée vidéo HDMI de type A.
- 2 L - ANALOGIQUE ou AES/EBU**  
Jack de 1/4" pour le canal audio symétrique analogique gauche ou l'entrée audio numérique AES/EBU.
- 3 R - ANALOGIQUE**  
Jack de 1/4" pour le canal audio analogique symétrique droit.
- 4 PORT USB MINI-B**  
Offre une connexion vers le logiciel Blackmagic Converters Setup via un ordinateur Mac OS X ou Windows. Le logiciel interne du Mini Converter peut également être mis à jour à l'aide du port USB.
- 5 SORTIE SDI**  
Connecteur BNC pour sortie vidéo SDI.
- 6 SORTIE SDI**  
Deuxième sortie SDI.
- 7 ALIMENTATION +12V**  
Entrée d'alimentation 12 volts.

## Interrupteurs

Les interrupteurs du Mini Converter HDMI to SDI 6G donnent accès aux paramètres suivants :

### Interrupteur 8 - Analog Audio, AES/EBU Audio

Réglez l'interrupteur 8 sur OFF pour sélectionner de l'audio symétrique analogique, ou sur ON pour une entrée audio numérique AES/EBU. Pour utiliser ces entrées, l'interrupteur 7 doit également être réglé sur ON.

### Interrupteur 7 - HDMI Audio, Input Audio

Réglez l'interrupteur 7 sur OFF pour sélectionner de l'audio HDMI intégré, ou sur ON pour de l'audio analogique ou AES/EBU.

### Interrupteur 6 - 3G Level B Output (Normal), 3G Level A Output

Réglez l'interrupteur 6 sur OFF pour sélectionner la sortie 3G de Niveau B, ou sur ON pour sélectionner la sortie 3G de Niveau A.

### Interrupteurs 2, 1 - Select Format Bit 1,0

Lorsque vous connectez une source HDMI qui peut acheminer de l'Ultra HD et de la HD, vous pouvez régler le convertisseur pour qu'il achemine la source vers l'un ou l'autre format. Cela peut être utile si vous enregistrez ou affichez les travaux qui se trouvent sur votre ordinateur sur un écran SDI en HD.

Bien que cela puisse faire penser à une simple up/down conversion, le résultat est assez différent. Le convertisseur négocie en effet avec l'appareil source pour qu'il achemine de la vidéo Ultra HD ou HD. La vidéo native est donc acheminée en HD ou Ultra HD sans conversion.

Pour régler la source vidéo sur HD, Ultra HD ou pour que le convertisseur négocie automatiquement la meilleure résolution avec votre équipement source, utilisez simplement les combinaisons des interrupteurs 1 et 2.

Le réglage de ces combinaisons est indiqué ci-dessous.

### AUTO - Interrupteur 1 sur OFF, interrupteur 2 sur OFF

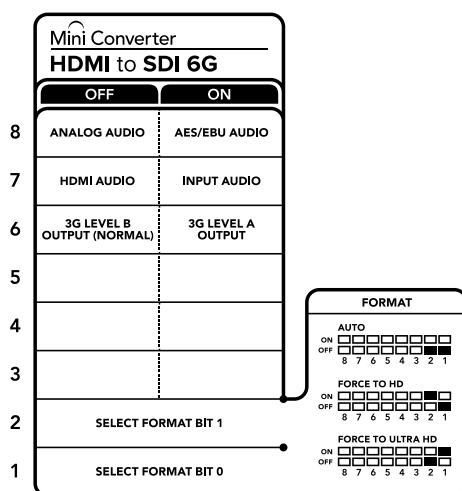
Le convertisseur négocie la résolution optimale entre la HD ou l'Ultra HD avec l'équipement source en fonction de sa capacité de sortie.

### FORCE TO HD - Interrupteur 1 sur OFF, interrupteur 2 sur ON

Si l'équipement source HDMI est capable d'acheminer de la HD et de l'Ultra HD, le convertisseur le force à acheminer de la vidéo HD.

### FORCE TO ULTRA HD - Interrupteur 1 sur ON, interrupteur 2 sur OFF

Si l'équipement source HDMI est capable d'acheminer de la HD et de l'Ultra HD, le convertisseur le force à acheminer de la vidéo Ultra HD.



La légende située sous le convertisseur vous donne toutes les informations nécessaires pour changer les paramètres de conversion.

## Paramètres du Blackmagic Converters Setup

Cet utilitaire peut être utilisé pour modifier les paramètres du convertisseur et mettre à jour le logiciel interne. Vous pouvez accéder à ces paramètres en utilisant les onglets **Audio**, et **About**. Vous trouverez de plus amples informations concernant l'onglet **About** dans la section « Régler les paramètres » de ce manuel. L'onglet **Audio** du Mini Converter HDMI to SDI 6G donne accès aux paramètres suivants :

### Menu Input Levels

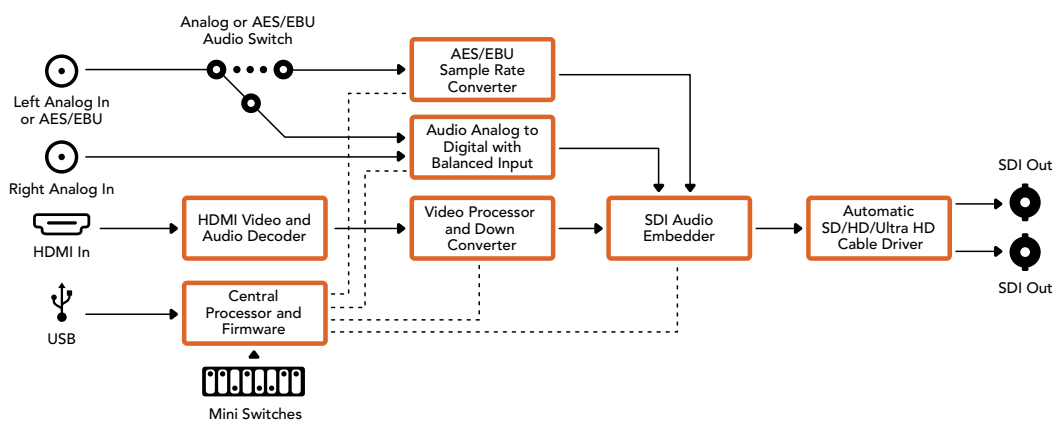
Ce menu vous permet d'ajuster le gain de l'entrée audio. Vous pouvez ajuster les niveaux audio par canal ou ensemble, en cliquant sur l'icône de liaison située à côté des curseurs. Pour réinitialiser tous les niveaux audio sur 0dB, cliquez sur le bouton de réinitialisation situé en haut du menu **Input levels**.





Utilisez l'onglet **Audio** du Blackmagic Converters Setup pour ajuster les niveaux audio.

## Schéma fonctionnel du Mini Converter HDMI to SDI 6G



## Mini Converter SDI to Analog

Le Blackmagic Mini Converter SDI to Analog convertit des signaux SD/HD-SDI en sortie vidéo composante analogique, NTSC et PAL, ainsi qu'en audio symétrique AES/EBU et audio analogique. Ce convertisseur peut facilement être connecté aux écrans analogiques et aux enregistreurs tels Betacam SP et VHS. Le down-convertisseur intégré vous permet de connecter de la vidéo HD-SDI à du matériel analogique SD. Vous pouvez également acheminer des paires de canaux audio analogiques en sortie, à partir de 16 canaux audio SDI isolés.



## Connecteurs

- 1 Y ou NTSC/PAL**  
Connecteur BNC pour sortie composante analogique Y ou composite NTSC/PAL.
- 2 B-Y ou S-VIDEO Y**  
Connecteur BNC pour sortie composante analogique B-Y ou S-Video Y.
- 3 R-Y ou S-VIDEO C**  
Connecteur BNC pour sortie composante analogique R-Y ou S-Video C.
- 4 L - ANALOGIQUE ou AES/EBU**  
Jack de 1/4" pour le canal audio symétrique analogique gauche ou la sortie audio numérique AES/EBU.
- 5 R - ANALOGIQUE**  
Jack de 1/4" pour le canal audio analogique symétrique droit.
- 6 PORT USB MINI-B**  
Offre une connexion vers le logiciel Blackmagic Converters Setup via un ordinateur Mac OS X ou Windows. Le logiciel interne du Mini Converter peut également être mis à jour à l'aide du port USB.
- 7 SORTIE SDI**  
Connecteur BNC pour sortie vidéo SDI.
- 8 ENTRÉE SDI ALT**  
Entrée SDI redondante.
- 9 ENTRÉE SDI**  
Entrée SDI principale.
- 10 ALIMENTATION +12V**  
Entrée d'alimentation 12 volts.

## Interrupteurs

### Interrupteur 8 - Analog Audio, AES/EBU Audio









Réglez l'interrupteur 8 sur OFF pour sélectionner de l'audio symétrique analogique, ou sur ON pour une sortie audio numérique AES/EBU.

### Interrupteur 7 - 7.5 IRE - 0.0 IRE

Les États-Unis et tout autre pays qui utilisent le système NTSC configuré sur 7.5 devraient régler l'interrupteur 7 sur OFF. Si vous travaillez dans des pays qui n'utilisent pas la configuration 7.5, réglez l'interrupteur 7 sur ON. Ce paramètre affecte uniquement les sorties composite ou S-Video.



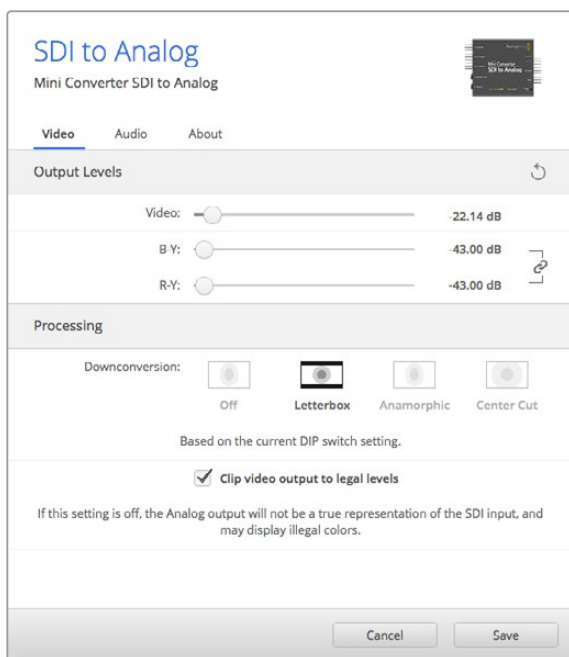
## Tableau de sélection de l'audio SDI

Canaux audio	Interrupteur 4	Interrupteur 3	Interrupteur 2	Schéma
1 et 2	OFF	OFF	OFF	
3 et 4	OFF	OFF	ON	
5 et 6	OFF	ON	OFF	
7 et 8	OFF	ON	ON	
9 et 10	ON	OFF	OFF	
11 et 12	ON	OFF	ON	
13 et 14	ON	ON	OFF	
15 et 16	ON	ON	ON	

## Paramètres du Blackmagic Converters Setup

Cet utilitaire peut être utilisé pour modifier les paramètres du convertisseur et mettre à jour le logiciel interne. Vous pouvez accéder à ces paramètres en utilisant les onglets **Video**, **Audio** et **About**.

Vous trouverez de plus amples informations concernant l'onglet **About** dans la section « Régler les paramètres » de ce manuel.



Utilisez l'onglet Video du Blackmagic Converters Setup pour modifier les niveaux de la vidéo analogique et les paramètres du menu Processing.

## Menu Processing

Ce menu vous permet de régler le format d'image de la vidéo down-convertie. Les options sont : Letterbox, Anamorphic, Center Cut ou Off.

La case **Clip video output to legal levels** contrôle l'écrêtage de l'entrée SDI pour garantir des niveaux HDMI légaux. Elle est cochée par défaut.

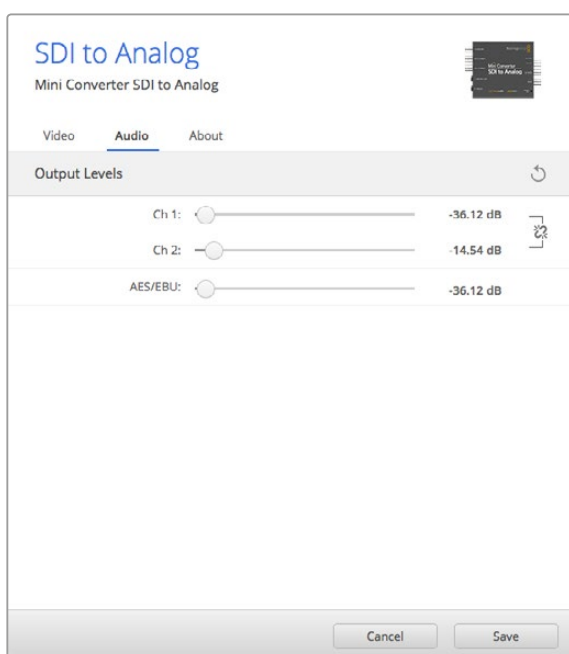
## Menu Output Levels

Ce menu vous permet de régler les niveaux de luminance et de chroma ainsi que les niveaux de la vidéo composante B-Y et R-Y.

L'onglet **Audio** du Mini Converter SDI to Analog donne accès aux paramètres suivants.

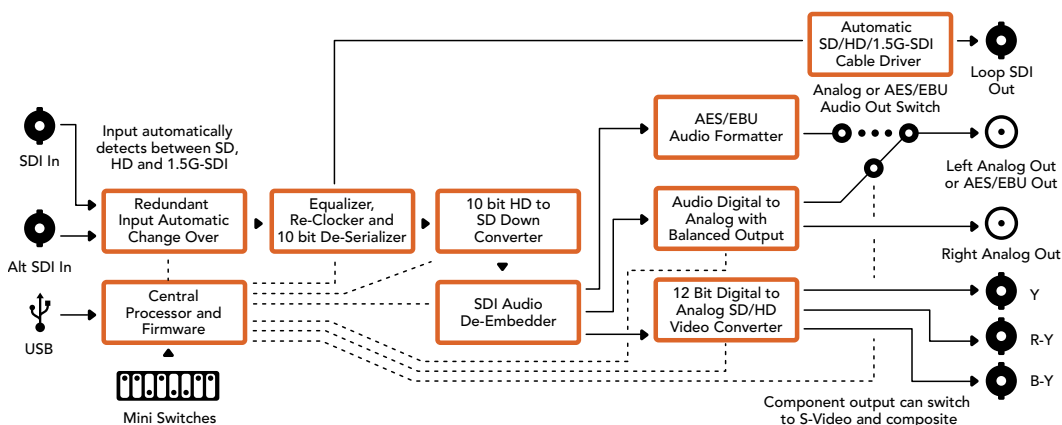
## Menu Output Levels

Ce menu vous permet d'ajuster le gain de la sortie audio. Vous pouvez ajuster les niveaux audio par canal ou ensemble, en cliquant sur l'icône de liaison située à côté des curseurs. Pour réinitialiser tous les niveaux audio sur 0dB, cliquez sur le bouton de réinitialisation situé en haut du menu **Output levels**.



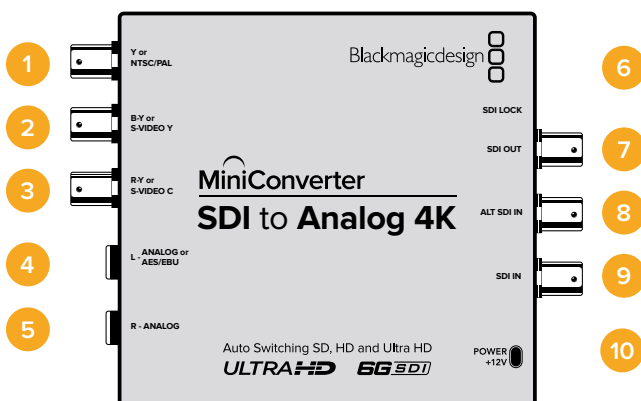
Utilisez l'onglet **Audio** du Blackmagic Converters Setup pour ajuster les niveaux de l'audio analogique.

## Schéma fonctionnel du Mini Converter SDI to Analog



## Mini Converter SDI to Analog 4K

Les modèles Mini Converter SDI to Analog 4K et SDI to Analog 4K Heavy Duty convertissent des signaux SD/HD/3G/6G-SDI en sortie vidéo composante analogique, NTSC et PAL, ainsi qu'en audio symétrique AES/EBU et audio analogique. Ces down-convertisseurs vous permettent de connecter de la vidéo 6G-SDI à du matériel analogique SD et HD. De plus, il est facile de les connecter à des écrans et à des enregistreurs Betacam SP et VHS. Vous pouvez également acheminer une paire de canaux audio analogique en sortie, à partir de 16 canaux audio SDI isolés.



## Connecteurs

- 1 Y ou NTSC/PAL**  
Connecteur BNC pour sortie composante analogique Y ou composite NTSC/PAL.
- 2 B-Y ou S-VIDEO Y**  
Connecteur BNC pour sortie composante analogique B-Y ou S-Video Y.
- 3 R-Y ou S-VIDEO C**  
Connecteur BNC pour sortie composante analogique R-Y ou S-Video C.
- 4 L - ANALOGIQUE ou AES/EBU**  
Jack de 1/4" pour le canal audio symétrique analogique gauche ou la sortie audio numérique AES/EBU.
- 5 R - ANALOGIQUE**  
Jack de 1/4" pour le canal audio analogique symétrique droit.
- 6 PORT USB MINI-B**  
Offre une connexion vers le logiciel Blackmagic Converters Setup via un ordinateur Mac OS X ou Windows. Le logiciel interne du Mini Converter peut également être mis à jour à l'aide du port USB.
- 7 SORTIE SDI**  
Connecteur BNC pour sortie vidéo SDI.
- 8 ENTRÉE SDI ALT**  
Entrée SDI redondante.
- 9 ENTRÉE SDI**  
Entrée SDI principale.
- 10 ALIMENTATION +12V**  
Entrée d'alimentation 12 volts.



### Interrupteur 1 - Processing Off - Processing On

Down-conversion avec trois types de formats d'image. Faites basculer cet interrupteur entre OFF et ON pour passer du format d'image anamorphosé au format d'image Center Cut puis au format Letterbox.

Pour les entrées HD et Ultra HD, réglez l'interrupteur sur OFF pour acheminer de la vidéo HD analogique via les sorties composantes.

Régler l'interrupteur sur ON pour que l'entrée Ultra HD soit down-convertie en vidéo analogique PAL/NTSC ou HD composante selon le réglage de l'autre interrupteur. Le DCI 4K sera rogné sur la sortie HD composante.

Régler l'interrupteur sur ON pour que l'entrée HD soit down-convertie en vidéo analogique PAL/NTSC ou composante selon le réglage de l'autre interrupteur.

Lorsque le convertisseur est connecté au Blackmagic Converters Setup via USB, les paramètres de down-conversion sont contrôlés par le logiciel. Si vous souhaitez que le convertisseur garde les paramètres du logiciel en mémoire, il suffit de le déconnecter de l'ordinateur, de redémarrer le convertisseur et de régler la down-conversion à l'aide de l'interrupteur 1.

### Exemple de paramétrage des interrupteurs :

Réglez les interrupteurs 8, 5, 4, 3 et 2 du Blackmagic Mini Converter sur OFF pour acheminer de la vidéo composante haute définition et de l'audio analogique vers les canaux 1 et 2.

Tableau de sélection de l'audio

Canaux audio	Interrupteur 4	Interrupteur 3	Interrupteur 2	Schéma
1 et 2	OFF	OFF	OFF	
3 et 4	OFF	OFF	ON	
5 et 6	OFF	ON	OFF	
7 et 8	OFF	ON	ON	
9 et 10	ON	OFF	OFF	
11 et 12	ON	OFF	ON	
13 et 14	ON	ON	OFF	
15 et 16	ON	ON	ON	



## Paramètres du Blackmagic Converters Setup

Cet utilitaire peut être utilisé pour modifier les paramètres du convertisseur et mettre à jour le logiciel interne. Vous pouvez accéder à ces paramètres en utilisant les onglets **Video**, **Audio** et **About**.

Vous trouverez de plus amples informations concernant l'onglet **About** dans la section « Régler les paramètres » de ce manuel.

L'onglet **Video** du Mini Converter SDI to Analog 4K donne accès aux paramètres suivants.

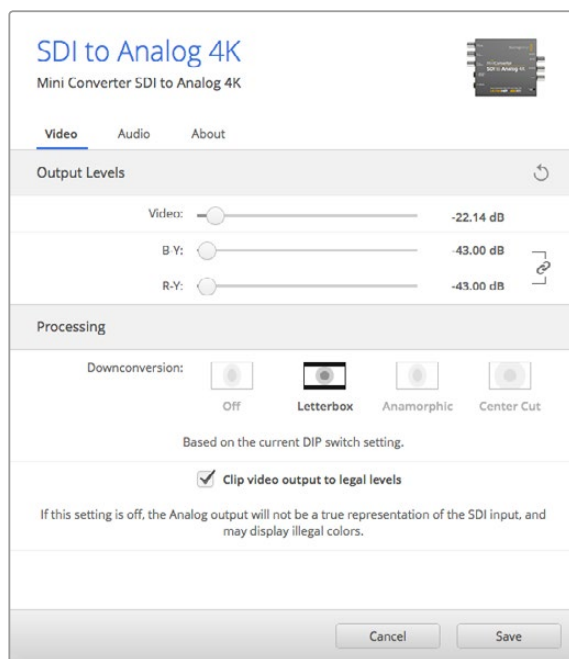
### Menu Output Levels

Ce menu vous permet de régler les niveaux de luminance et de chroma ainsi que les niveaux de la vidéo composante B-Y et R-Y.

### Menu Processing

Ce menu vous permet de régler le format d'image de la vidéo down-convertie. Les options sont : Letterbox, Anamorphic, Center Cut ou Off.

La case **Clip video output to legal levels** contrôle l'écrêtage de l'entrée SDI pour garantir des niveaux HDMI légaux. Elle est cochée par défaut.

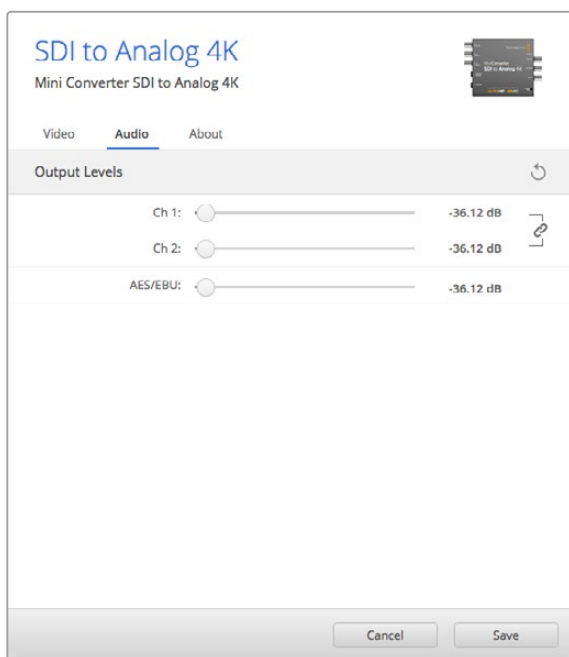


Utilisez l'onglet **Video** du Blackmagic Converters Setup pour modifier les niveaux de la vidéo analogique et les paramètres du menu Processing.

L'onglet **Audio** du Mini Converter SDI to Analog 4K donne accès aux paramètres suivants.

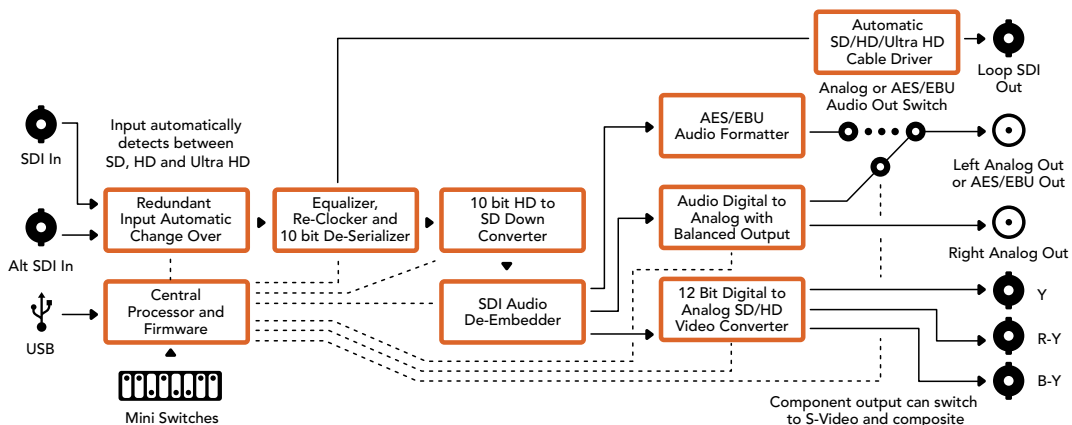
### Menu Output Levels

Ce menu vous permet d'ajuster le gain de l'entrée audio. Vous pouvez ajuster les niveaux audio par canal ou ensemble, en cliquant sur l'icône de liaison située à côté des curseurs. Pour réinitialiser tous les niveaux audio sur 0dB, cliquez sur le bouton de réinitialisation situé en haut du menu **Output levels**.



Utilisez l'onglet **Audio** du Blackmagic Converters Setup pour ajuster les niveaux de l'audio analogique.

### Schéma fonctionnel du Mini Converter SDI to Analog 4K



### Mini Converter Analog to SDI

Les modèles Mini Converter Analog to SDI et Analog to SDI Heavy Duty vous permettent de convertir de la vidéo et de l'audio provenant d'équipements analogiques tels que des enregistreurs Betacam SP, des caméras HDV et des consoles de jeux en vidéo SD/HD-SDI. Ces convertisseurs prennent en charge toute une gamme de formats analogiques et numériques, notamment la vidéo composante SD/HD, S-Video ou composite NTSC et PAL. Les sorties HD-SDI des convertisseurs permettent d'intégrer l'audio numérique AES/EBU ou l'audio analogique.



## Connecteurs

- 1 Y ou NTSC/PAL**  
Connecteur BNC pour entrée composante analogique Y ou composite NTSC/PAL.
- 2 B-Y ou S-VIDEO Y**  
Connecteur BNC pour entrée composante analogique B-Y ou S-Video Y.
- 3 R-Y ou S-VIDEO C**  
Connecteur BNC pour entrée composante analogique R-Y ou S-Video C.
- 4 L - ANALOGIQUE ou AES/EBU**  
Jack de 1/4" pour le canal audio symétrique analogique gauche ou l'entrée audio numérique AES/EBU.
- 5 R - ANALOGIQUE**  
Jack de 1/4" pour le canal audio analogique symétrique droit.
- 6 PORT USB MINI-B**  
Offre une connexion vers le logiciel Blackmagic Converters Setup via un ordinateur Mac OS X ou Windows. Le logiciel interne du Mini Converter peut également être mis à jour à l'aide du port USB.
- 7 SORTIE SDI**  
Connecteur BNC pour sortie vidéo SDI.
- 8 SORTIE SDI**  
Deuxième sortie SDI.
- 9 ALIMENTATION +12V**  
Entrée d'alimentation 12 volts.

## Interrupteurs

**CONSEIL** Sur le modèle Mini Converter Heavy Duty, les interrupteurs sont protégés par un support en caoutchouc. Pour accéder aux interrupteurs, il suffit de soulever le support.

Les interrupteurs du Mini Converter Analog to SDI donnent accès aux paramètres suivants :

### Interrupteur 8 - Analog Audio, AES/EBU Audio

Réglez l'interrupteur 8 sur OFF pour sélectionner de l'audio symétrique analogique, ou sur ON pour une entrée audio numérique AES/EBU.

### Interrupteur 7 - 7.5 IRE - 0.0 IRE

Les États-Unis et tout autre pays qui utilisent le système NTSC configuré sur 7.5 devraient régler l'interrupteur 7 sur OFF. Si vous travaillez dans des pays qui n'utilisent pas la configuration 7.5, par exemple le Japon, réglez l'interrupteur 7 sur ON. Ce paramètre affecte uniquement les sorties composite ou S-Video.

### Interrupteur 6 - SMPTE Levels - Betacam Levels

Ce paramètre permet de choisir entre les niveaux vidéo SMPTE et Betacam. Réglez l'interrupteur 6 sur Off pour obtenir des niveaux SMPTE, ou sur On pour des niveaux Betacam. Les niveaux SMPTE sont plus répandus que les niveaux Betacam. Même les enregistreurs Betacam SP prennent en charge les niveaux SMPTE. Ne commutiez sur l'option Betacam que si vous êtes certain que votre matériel utilise des niveaux Betacam.

### Interrupteur 5 - Component, Composite or S-Video

Réglez l'interrupteur 5 sur Off pour sélectionner une entrée vidéo composante analogique, ou sur On pour des entrées vidéo composites et S-Video.

Mini Converter		
Analog to SDI		
	OFF	ON
8	ANALOG AUDIO	AES/EBU AUDIO
7	7.5 IRE	0.0 IRE
6	SMPTE LEVELS	BETACAM LEVELS
5	COMPONENT	COMPOSITE or S-VIDEO
4	COMPOSITE	S-VIDEO
3		
2		
1	PROCESSING OFF	PROCESSING ON

La légende située sous le convertisseur vous donne toutes les informations nécessaires pour changer les paramètres de conversion.

### Interrupteur 4 - Composite - S-Video

Réglez l'interrupteur 4 sur Off pour sélectionner une entrée vidéo composite, ou sur On pour une entrée S-Video.

### Interrupteur 1 - Processing Off - Processing On

Cet interrupteur ne peut pas être utilisé.

### Exemple de paramétrage des interrupteurs

Réglez les interrupteurs 8 et 5 du Blackmagic Mini Converter sur OFF pour sélectionner les entrées vidéo composante et audio analogique.

## Paramètres du Blackmagic Converters Setup

Cet utilitaire peut être utilisé pour modifier les paramètres du convertisseur et mettre à jour le logiciel interne. Vous pouvez accéder à ces paramètres en utilisant les onglets **Video**, **Audio** et **About**.

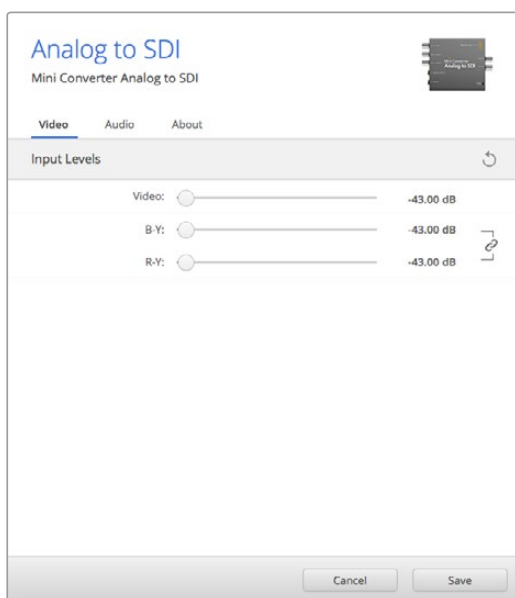
Vous trouverez de plus amples informations concernant l'onglet **About** dans la section « Régler les paramètres » de ce manuel.

L'onglet **Video** du Mini Converter Analog to SDI donne accès aux paramètres suivants.

### Menu Input Levels

Ce menu vous permet de régler les niveaux de luminance et de chroma ainsi que les niveaux de la vidéo composante B-Y et R-Y.

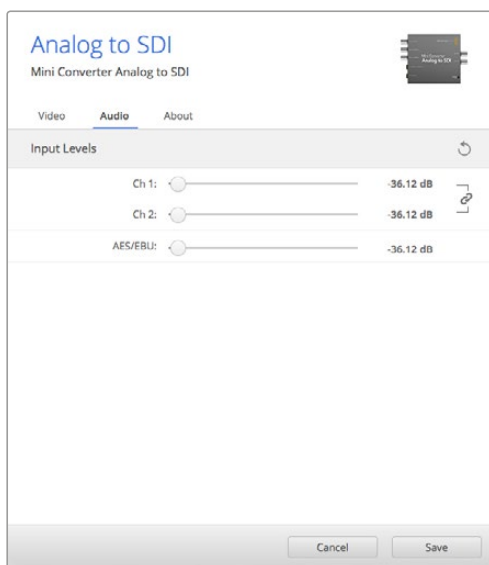
L'onglet **Audio** du Mini Converter Analog to SDI donne accès aux paramètres suivants.



Utilisez l'onglet **Video** du Blackmagic Converters Setup pour modifier les niveaux de la vidéo.

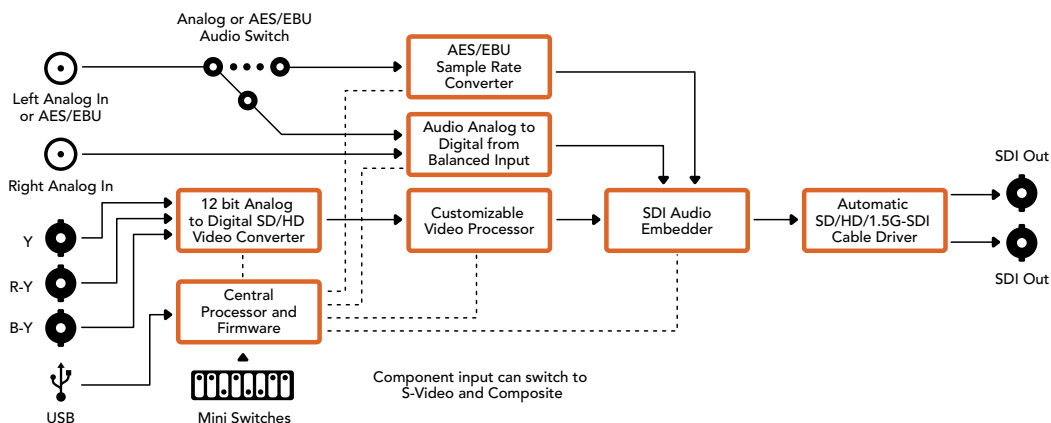
### Menu Input Levels

Ce menu vous permet d'ajuster le gain de l'entrée audio. Vous pouvez ajuster les niveaux audio par canal ou ensemble, en cliquant sur l'icône de liaison située à côté des curseurs. Pour réinitialiser tous les niveaux audio sur 0dB, cliquez sur le bouton de réinitialisation situé en haut du menu **Input levels**.



Utilisez l'onglet **Audio** du Blackmagic Converters Setup pour ajuster les niveaux de l'audio analogique.

## Schéma fonctionnel du Mini Converter Analog to SDI



## Mini Converter SDI to Audio

Le Mini Converter SDI to Audio permet d'isoler quatre canaux audio de n'importe quelle connexion vidéo SDI et de les acheminer sur quatre canaux audio analogique ou huit canaux audio numérique AES/EBU. Vous pouvez acheminer les signaux sur du matériel audio tel que des consoles de mixage, des enregistreurs analogiques et des moniteurs. Il est possible d'isoler des canaux audio SDI supplémentaires en reliant un autre Mini Converter SDI to Audio à la sortie SDI de votre convertisseur.



## Connecteurs

- 1 Canal 1 analogique ou Canaux 1 & 2 AES/EBU**  
 Jack de 1/4" pour une sortie audio analogique symétrique sur le canal 1, ou audio numérique AES/EBU sur les canaux 1 et 2.
- 2 Canal 2 analogique ou Canaux 3 & 4 AES/EBU**  
 Jack de 1/4" pour une sortie audio analogique symétrique sur le canal 2, ou audio numérique AES/EBU sur les canaux 3 et 4.
- 3 Canal 3 analogique ou Canaux 5 & 6 AES/EBU**  
 Jack de 1/4" pour une sortie audio analogique symétrique sur le canal 3, ou audio numérique AES/EBU sur les canaux 5 et 6.
- 4 Canal 4 analogique ou Canaux 7 & 8 AES/EBU**  
 Jack de 1/4" pour une sortie audio analogique symétrique sur le canal 4, ou audio numérique AES/EBU sur les canaux 7 et 8.

## 5 PORT USB MINI-B

Offre une connexion vers le logiciel Blackmagic Converters Setup via un ordinateur Mac OS X ou Windows. Le logiciel interne du Mini Converter peut également être mis à jour à l'aide du port USB.

## 6 SORTIE SDI

Connecteur BNC pour sortie vidéo SDI en boucle.

## 7 ENTRÉE SDI ALT

Entrée SDI redondante. Lorsque vous utilisez à la fois l'entrée SDI et l'entrée SDI ALT, l'entrée SDI ALT prendra le relais si le signal d'entrée SDI est interrompu. Dans ce cas-là, la LED SDI LOCK clignotera, pour indiquer que le convertisseur a basculé sur l'entrée ALT SDI.

## 8 ENTRÉE SDI

Entrée SDI principale.

## 9 ALIMENTATION +12V

Entrée d'alimentation 12 volts.

## Interrupteurs

Les interrupteurs du Mini Converter SDI to Audio donnent accès aux paramètres suivants :

### Interrupteur 8 - Analog Audio, AES/EBU Audio

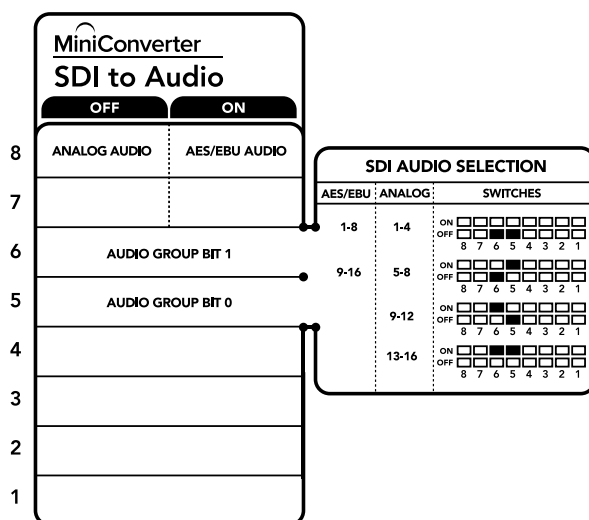
Réglez l'interrupteur 8 sur OFF pour sélectionner de l'audio symétrique analogique, ou sur ON pour une sortie audio numérique AES/EBU.

### Interrupteur 6 - Audio Group Bit 1

Les interrupteurs 6 et 5 sont regroupés pour fournir quatre combinaisons ON/OFF. Quatre groupes de quatre canaux audio analogiques, ou deux groupes de huit canaux audio AES/EBU peuvent ainsi être isolés de l'entrée SDI.

### Interrupteur 5 - Audio Group Bit 0

Référez-vous à la description de l'interrupteur 6.




La légende située sous le convertisseur vous donne toutes les informations nécessaires pour changer les paramètres de conversion.

## Exemple de paramétrage des interrupteurs

N'hésitez pas à faire quelques essais avec les interrupteurs. Sélectionnez par exemple les canaux audio analogiques 1 à 4 en réglant les interrupteurs 8, 6 et 5 sur OFF.

## Tableau de sélection de l'audio

Canaux audio analogique	Interrupteur 6	Interrupteur 5	Schéma
1 à 4	OFF	OFF	
5 à 8	OFF	ON	
9 à 12	ON	OFF	
13 à 16	ON	ON	
Canaux AES/EBU	Interrupteur 6	Interrupteur 5	Schéma
1 à 8	OFF	OFF	
9 à 16	OFF	ON	

## Paramètres du Blackmagic Converters Setup

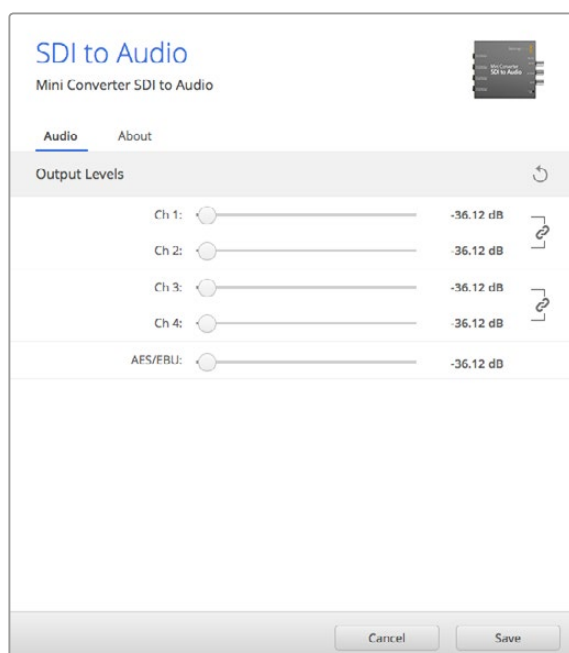
Cet utilitaire peut être utilisé pour modifier les paramètres du convertisseur et mettre à jour le logiciel interne. Vous pouvez accéder à ces paramètres en utilisant les onglets **Audio** et **About**.

Vous trouverez de plus amples informations concernant l'onglet **About** dans la section « Régler les paramètres » de ce manuel.

L'onglet **Audio** du Mini Converter SDI to Audio donne accès aux paramètres suivants.

### Menu Output Levels

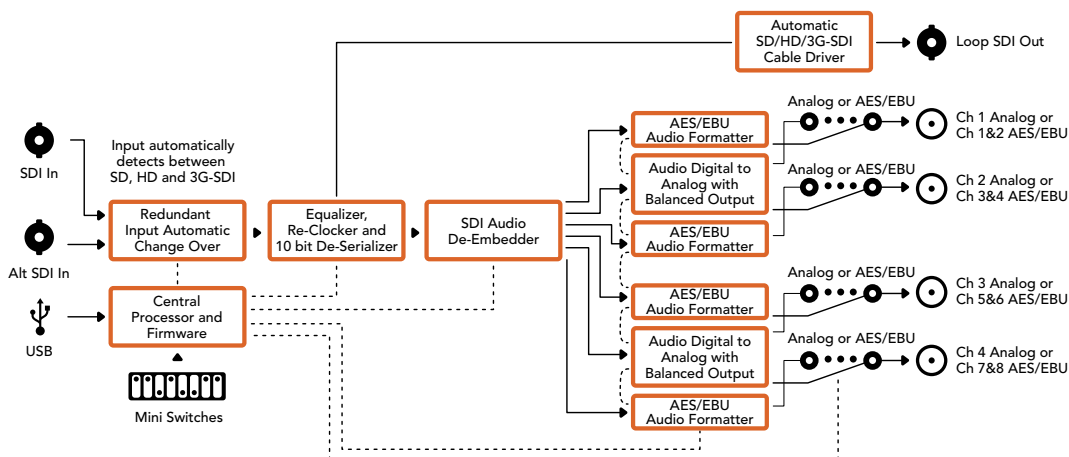
Ce menu vous permet d'ajuster le gain de la sortie audio. Vous pouvez ajuster les niveaux audio par canal, ou par paire de canaux en cliquant sur l'icône de liaison située à côté des curseurs. Pour réinitialiser tous les niveaux audio sur 0dB, cliquez sur le bouton de réinitialisation situé en haut du menu **Output levels**.



Utilisez l'onglet **Audio** du Blackmagic Converters Setup pour ajuster les niveaux audio.



## Schéma fonctionnel du Mini Converter SDI to Audio



## Mini Converter SDI to Audio 4K

Le Mini Converter SDI to Audio 4K permet d'isoler quatre canaux audio de n'importe quelle connexion vidéo SDI et de les acheminer sur quatre canaux audio analogique ou huit canaux audio numérique AES/EBU. Vous pouvez acheminer les signaux sur du matériel audio tel que des consoles de mixage, des enregistreurs analogiques et des moniteurs. Il est possible d'isoler des canaux audio SDI supplémentaires en reliant un autre Mini Converter SDI to Audio 4K à la sortie SDI de votre convertisseur.



## Connecteurs

- 1 Canal 1 analogique ou Canaux 1 & 2 AES/EBU**  
 Jack de 1/4" pour une sortie audio analogique symétrique sur le canal 1, ou audio numérique AES/EBU sur les canaux 1 et 2.
- 2 Canal 2 analogique ou Canaux 3 & 4 AES/EBU**  
 Jack de 1/4" pour une sortie audio analogique symétrique sur le canal 2, ou audio numérique AES/EBU sur les canaux 3 et 4.
- 3 Canal 3 analogique ou Canaux 5 & 6 AES/EBU**  
 Jack de 1/4" pour une sortie audio analogique symétrique sur le canal 3, ou audio numérique AES/EBU sur les canaux 5 et 6.
- 4 Canal 4 analogique ou Canaux 7 & 8 AES/EBU**  
 Jack de 1/4" pour une sortie audio analogique symétrique sur le canal 4, ou audio numérique AES/EBU sur les canaux 7 et 8.

## 5 PORT USB MINI-B

Offre une connexion vers le logiciel Blackmagic Converters Setup via un ordinateur Mac OS X ou Windows. Le logiciel interne du Mini Converter peut également être mis à jour à l'aide du port USB.

## 6 SORTIE SDI

Connecteur BNC pour sortie vidéo SDI en boucle.

## 7 ENTRÉE SDI ALT

Entrée SDI redondante. Lorsque vous utilisez à la fois l'entrée SDI et l'entrée SDI ALT, l'entrée SDI ALT prendra le relais si le signal d'entrée SDI est interrompu. Dans ce cas-là, la LED SDI LOCK clignotera, pour indiquer que le convertisseur a basculé sur l'entrée ALT SDI.

## 8 ENTRÉE SDI

Entrée SDI principale.

## 9 ALIMENTATION +12V

Entrée d'alimentation 12 volts.

## Interrupteurs

Les interrupteurs du Mini Converter SDI to Audio 4K donnent accès aux paramètres suivants :

### Interrupteur 8 - Analog Audio, AES/EBU Audio

Réglez l'interrupteur 8 sur OFF pour sélectionner de l'audio symétrique analogique, ou sur ON pour une sortie audio numérique AES/EBU.

### Interrupteur 6 - Audio Group Bit 1

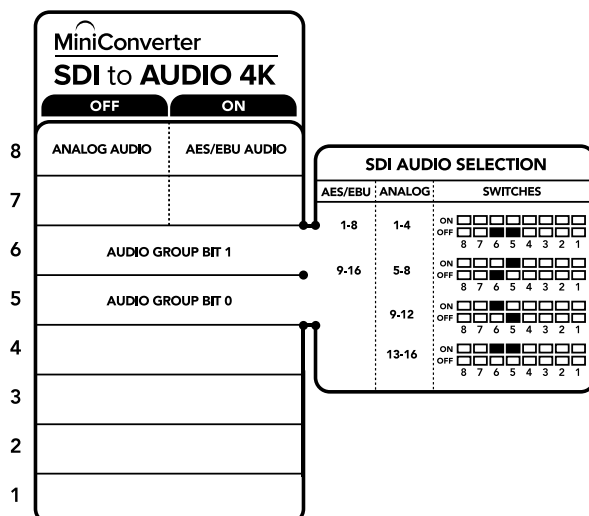
Les interrupteurs 6 et 5 sont regroupés pour fournir quatre combinaisons ON/OFF. 4 groupes de quatre canaux audio analogiques, ou deux groupes de huit canaux audio AES/EBU peuvent ainsi être isolés de l'entrée SDI.

### Interrupteur 5 - Audio Group Bit 0

Référez-vous à la description de l'interrupteur 6.




## Exemple de paramétrage des interrupteurs

N'hésitez pas à faire quelques essais avec les interrupteurs. Sélectionnez par exemple les canaux audio analogiques 1 à 4 en réglant les interrupteurs 8, 6 et 5 sur OFF.




La légende située sous le convertisseur vous donne toutes les informations nécessaires pour changer les paramètres de conversion.

## Tableau de sélection de l'audio

Canaux audio analogique	Interrupteur 6	Interrupteur 5	Schéma
1 à 4	OFF	OFF	
5 à 8	OFF	ON	
9 à 12	ON	OFF	
13 à 16	ON	ON	

Canaux AES/EBU	Interrupteur 6	Interrupteur 5	Schéma
1 à 8	OFF	OFF	
9 à 16	OFF	ON	

## Paramètres du Blackmagic Converters Setup

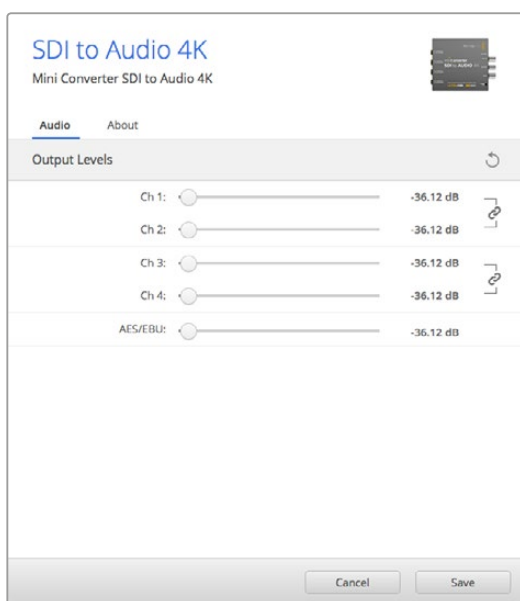
Cet utilitaire peut être utilisé pour modifier les paramètres du convertisseur et mettre à jour le logiciel interne. Vous pouvez accéder à ces paramètres en utilisant les onglets **Audio** et **About**.

Vous trouverez de plus amples informations concernant l'onglet **About** dans la section « Régler les paramètres » de ce manuel.

L'onglet **Audio** du Mini Converter SDI to Audio 4K donne accès aux paramètres suivants.

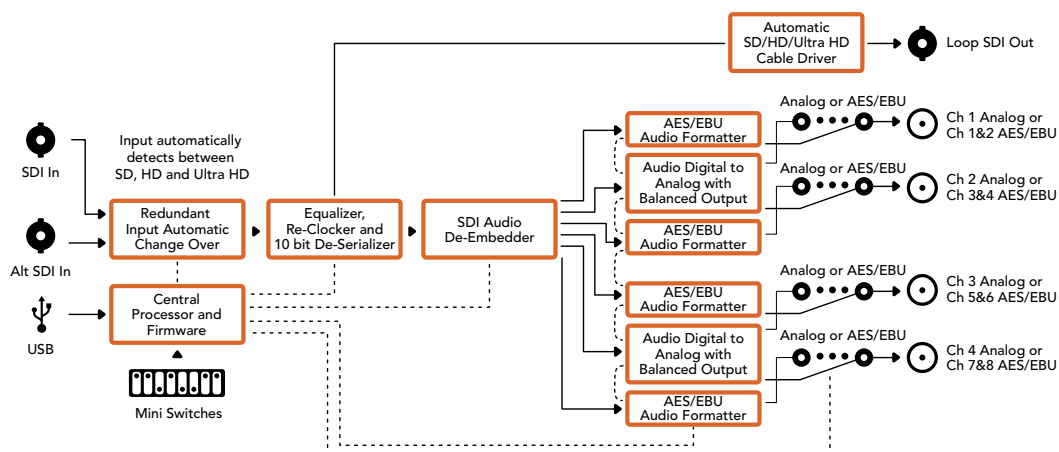
### Menu Output Levels

Ce menu vous permet d'ajuster le gain de la sortie audio. Vous pouvez ajuster les niveaux audio par canal ou par paire de canaux, en cliquant sur l'icône de liaison située à côté des curseurs. Pour réinitialiser tous les niveaux audio sur 0dB, cliquez sur le bouton de réinitialisation situé en haut du menu **Output levels**.



Utilisez l'onglet **Audio** du Blackmagic Converters Setup pour ajuster les niveaux de l'audio analogique.

## Schéma fonctionnel du Mini Converter SDI to Audio 4K



## Mini Converter Audio to SDI

Le Mini Converter Audio to SDI permet d'intégrer quatre canaux audio analogiques, ou huit canaux audio numériques AES/EBU à n'importe quelle connexion vidéo SDI. Vous pouvez utiliser ce convertisseur pour intégrer de l'audio provenant d'équipements, tels que des consoles de mixage audio et des enregistreurs analogiques, à des signaux vidéo SDI pour une utilisation avec des grilles de commutation et des enregistreurs SDI. Il est possible d'intégrer des canaux audio SDI supplémentaires en reliant un autre Mini Converter Audio to SDI à la sortie SDI de votre convertisseur.



## Connecteurs

- 1 Canal 1 analogique ou Canaux 1 & 2 AES/EBU**  
Jack de 1/4" pour une entrée audio analogique symétrique sur le canal 1, ou audio numérique AES/EBU sur les canaux 1 et 2.
- 2 Canal 2 analogique ou Canaux 3 & 4 AES/EBU**  
Jack de 1/4" pour une entrée audio analogique symétrique sur le canal 2, ou audio numérique AES/EBU sur les canaux 3 et 4.
- 3 Canal 3 analogique ou Canaux 5 & 6 AES/EBU**  
Jack de 1/4" pour une entrée audio analogique symétrique sur le canal 3, ou audio numérique AES/EBU sur les canaux 5 et 6.
- 4 Canal 4 analogique ou Canaux 7 & 8 AES/EBU**  
Jack de 1/4" pour une entrée audio analogique symétrique sur le canal 4, ou audio numérique AES/EBU sur les canaux 7 et 8.
- 5 PORT USB Mini-B**  
Offre une connexion vers le logiciel Blackmagic Converters Setup via un ordinateur Mac OS X ou Windows. Le logiciel interne du Mini Converter peut également être mis à jour à l'aide du port USB.

## 6 SORTIE SDI

Connecteur BNC pour sortie vidéo SDI en boucle.

## 7 ENTRÉE SDI ALT

Entrée SDI redondante. Lorsque vous utilisez à la fois l'entrée SDI et l'entrée SDI ALT, l'entrée SDI ALT prendra le relais si le signal d'entrée SDI est interrompu. Dans ce cas-là, la LED SDI LOCK clignotera, pour indiquer que le convertisseur a basculé sur l'entrée ALT SDI.

## 8 ENTRÉE SDI

Entrée SDI principale.

## 9 ALIMENTATION +12V

Entrée d'alimentation 12 volts.

## Interrupteurs

Les interrupteurs du Mini Converter Audio to SDI donnent accès aux paramètres suivants :

### Interrupteur 8 - Analog Audio, AES/EBU Audio

Réglez l'interrupteur 8 sur OFF pour sélectionner de l'audio symétrique analogique, ou sur ON pour une entrée audio numérique AES/EBU.

### Interrupteur 7 - Sample Rate Conversion, No Sample Rate Conversion

Réglez l'interrupteur 7 sur OFF pour activer la conversion de fréquence d'échantillonnage, ou sur ON pour la désactiver. Il est préférable que cet interrupteur soit réglé sur OFF (sauf exception) pour que la fréquence d'échantillonnage de l'audio corresponde au format de télévision.

Lorsque l'interrupteur 7 est réglé sur OFF, cela convertit la fréquence d'échantillonnage de l'audio analogique ou AES/EBU et intègre l'audio à la sortie SDI à une fréquence d'échantillonnage de 48 kHz. Lorsque l'interrupteur est réglé sur ON, la conversion de fréquence d'échantillonnage est désactivée et l'audio est acheminé à la fréquence d'échantillonnage d'origine.

### Interrupteur 6 - Audio Group Bit 1

Les interrupteurs 6 et 5 sont regroupés pour fournir quatre combinaisons ON/OFF. Grâce à ces quatre combinaisons, quatre canaux audio analogiques, ou huit canaux audio AES/EBU peuvent être intégrés à la sortie SDI.

### Interrupteur 5 - Audio Group Bit 0

Référez-vous à la description de l'interrupteur 6.

### Tableau de sélection de l'audio

Canaux audio analogique	Interrupteur 6	Interrupteur 5	Schéma
1 à 4	OFF	OFF	
5 à 8	OFF	ON	
9 à 12	ON	OFF	
13 à 16	ON	ON	
Canaux AES/EBU	Interrupteur 6	Interrupteur 5	Schéma
1 à 8	OFF	OFF	
9 à 16	OFF	ON	

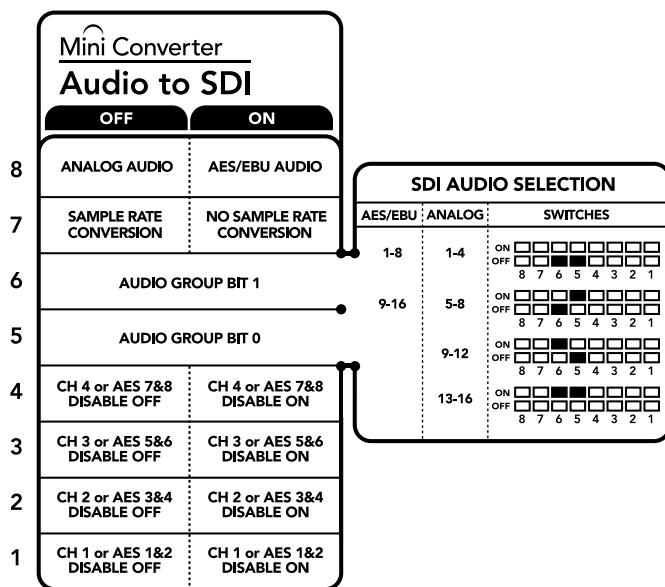
## Intégrer ou désactiver des canaux

Une fois les canaux audio sélectionnés, utilisez les interrupteurs 4, 3, 2 et 1 pour choisir les canaux que vous souhaitez intégrer ou désactiver. La fonction de désactivation du canal permet d'éviter d'effacer les canaux audio que vous souhaitez garder dans le signal SDI.

Par exemple, vous pouvez désactiver le canal audio analogique 1 ou les canaux AES/EBU 1 et 2 en réglant l'interrupteur 1 sur ON. Vous pouvez également intégrer ces canaux audio en réglant l'interrupteur 1 sur OFF.

### Isoler ou désactiver des canaux audio

Interrupteur	Paramètre	Canaux audio
4	ON	Désactive le canal 4 analogique, les canaux 7 et 8 AES/EBU
	OFF	Intègre le canal 4 analogique, les canaux 7 et 8 AES/EBU
3	ON	Désactive le canal 3 analogique, les canaux 5 et 6 AES/EBU
	OFF	Intègre le canal 3 analogique, les canaux 5 et 6 AES/EBU
2	ON	Désactive le canal 2 analogique, les canaux 3 et 4 AES/EBU
	OFF	Intègre le canal 2 analogique, les canaux 3 et 4 AES/EBU
1	ON	Désactive le canal 1 analogique, les canaux 1 et 2 AES/EBU
	OFF	Intègre le canal 1 analogique, les canaux 1 et 2 AES/EBU



La légende située sous le convertisseur vous donne toutes les informations nécessaires pour changer les paramètres de conversion.

### Exemple de paramétrage des interrupteurs :

N'hésitez pas à faire quelques essais avec les interrupteurs. Sélectionnez par exemple les canaux audio analogiques 1 à 4 en réglant les interrupteurs 8, 6 et 5 sur OFF.

## Paramètres du Blackmagic Converters Setup

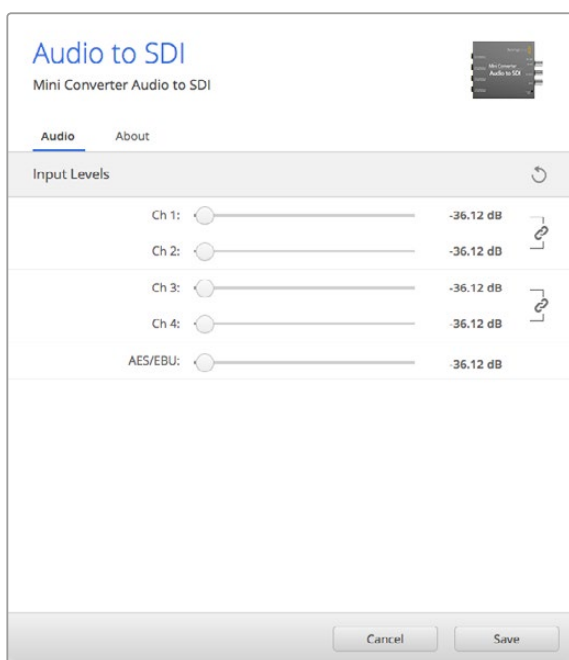
Cet utilitaire peut être utilisé pour modifier les paramètres du convertisseur et mettre à jour le logiciel interne. Vous pouvez accéder à ces paramètres en utilisant les onglets **Audio** et **About**.

Vous trouverez de plus amples informations concernant l'onglet **About** dans la section « Régler les paramètres » de ce manuel.

L'onglet **Audio** du Mini Converter Audio to SDI donne accès aux paramètres suivants.

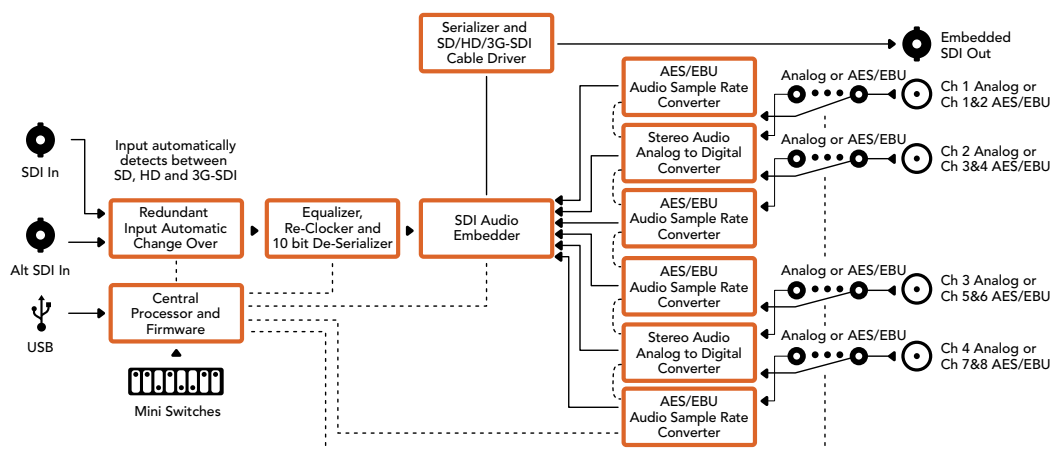
### Menu Input Levels

Ce menu vous permet de modifier le gain de l'entrée audio. Vous pouvez ajuster les niveaux audio par canal ou par paire de canaux, en cliquant sur l'icône de liaison située à côté des curseurs. Pour réinitialiser tous les niveaux audio sur 0dB, cliquez sur le bouton de réinitialisation situé en haut du menu **Output levels**.



Utilisez l'onglet **Audio** du Blackmagic Converters Setup pour ajuster les niveaux de l'audio analogique.

### Schéma fonctionnel du Mini Converter Audio to SDI



## Mini Converter Audio to SDI 4K

Le Mini Converter Audio to SDI 4K permet d'intégrer quatre canaux audio analogiques, ou huit canaux audio numériques AES/EBU à n'importe quelle connexion vidéo SDI. Vous pouvez utiliser ce convertisseur pour intégrer de l'audio provenant d'équipements, tels que des consoles de mixage audio et des enregistreurs analogiques, à des signaux vidéo SDI pour une utilisation avec des grilles de commutation et des enregistreurs SDI. Il est possible d'intégrer des canaux audio SDI supplémentaires en reliant un autre Mini Converter Audio to SDI 4K à la sortie SDI de votre convertisseur.



### Connecteurs

- 1 Canal 1 analogique ou Canaux 1 & 2 AES/EBU**  
Jack de 1/4" pour une entrée audio analogique symétrique sur le canal 1, ou audio numérique AES/EBU sur les canaux 1 et 2.
- 2 Canal 2 analogique ou Canaux 3 & 4 AES/EBU**  
Jack de 1/4" pour une entrée audio analogique symétrique sur le canal 2, ou audio numérique AES/EBU sur les canaux 3 et 4.
- 3 Canal 3 analogique ou Canaux 5 & 6 AES/EBU**  
Jack de 1/4" pour une entrée audio analogique symétrique sur le canal 3, ou audio numérique AES/EBU sur les canaux 5 et 6.
- 4 Canal 4 analogique ou Canaux 7 & 8 AES/EBU**  
Jack de 1/4" pour une entrée audio analogique symétrique sur le canal 4, ou audio numérique AES/EBU sur les canaux 7 et 8.
- 5 PORT USB Mini-B**  
Offre une connexion vers le logiciel Blackmagic Converters Setup via un ordinateur Mac OS X ou Windows. Le logiciel interne du Mini Converter peut également être mis à jour à l'aide du port USB.
- 6 SORTIE SDI**  
Connecteur BNC pour sortie vidéo SDI en boucle.
- 7 ENTRÉE SDI ALT**  
Entrée SDI redondante. Lorsque vous utilisez à la fois l'entrée SDI et l'entrée SDI ALT, l'entrée SDI ALT prendra le relais si le signal d'entrée SDI est interrompu. Dans ce cas-là, la LED SDI LOCK clignotera, pour indiquer que le convertisseur a basculé sur l'entrée ALT SDI.
- 8 ENTRÉE SDI**  
Entrée SDI principale.
- 9 ALIMENTATION +12V**  
Entrée d'alimentation 12 volts.



## Interrupteurs

Les interrupteurs du Mini Converter Audio to SDI 4K donnent accès aux paramètres suivants :

### Interrupteur 8 - Analog Audio, AES/EBU Audio

Réglez l'interrupteur 8 sur OFF pour sélectionner de l'audio symétrique analogique, ou sur ON pour une entrée audio numérique AES/EBU.

### Interrupteur 7 - Sample Rate Conversion, No Sample Rate Conversion

Réglez l'interrupteur 7 sur OFF pour activer la conversion de fréquence d'échantillonnage, ou sur ON pour la désactiver. Il est préférable que cet interrupteur soit réglé sur OFF (sauf exception) pour que la fréquence d'échantillonnage de l'audio corresponde au format de télévision.

Lorsque l'interrupteur 7 est réglé sur OFF, cela convertit la fréquence d'échantillonnage de l'audio analogique ou AES/EBU et intègre l'audio à la sortie SDI à une fréquence d'échantillonnage de 48 kHz. Lorsque l'interrupteur est réglé sur ON, la conversion de fréquence d'échantillonnage est désactivée et l'audio est acheminé à la fréquence d'échantillonnage d'origine.

### Interrupteur 6 - Audio Group Bit 1

Les interrupteurs 6 et 5 sont regroupés pour fournir quatre combinaisons ON/OFF. Grâce à ces quatre combinaisons, quatre canaux audio analogiques, ou huit canaux audio AES/EBU peuvent être intégrés à la sortie SDI.

### Interrupteur 5 - Audio Group Bit 0

Référez-vous à la description de l'interrupteur 6.

### Tableau de sélection de l'audio

Canaux audio analogique	Interrupteur 6	Interrupteur 5	Schéma
1 à 4	OFF	OFF	
5 à 8	OFF	ON	
9 à 12	ON	OFF	
13 à 16	ON	ON	
Canaux AES/EBU	Interrupteur 6	Interrupteur 5	Schéma
1 à 8	OFF	OFF	
9 à 16	OFF	ON	

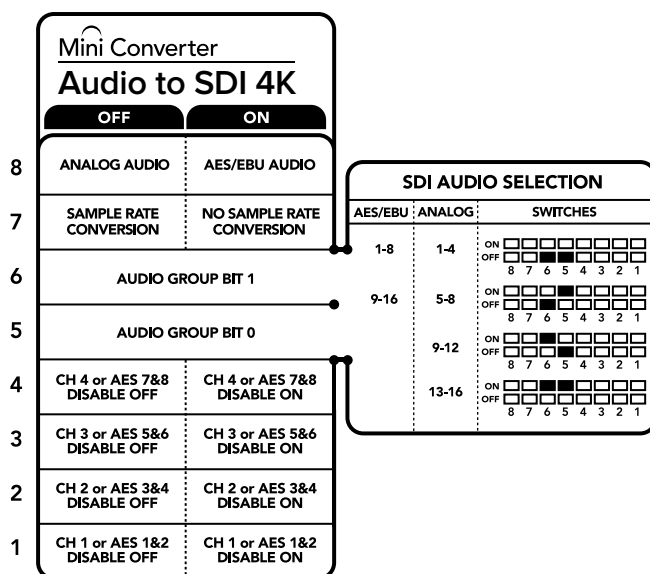
## Intégrer ou désactiver des canaux

Une fois les canaux audio sélectionnés, utilisez les interrupteurs 4, 3, 2 et 1 pour choisir les canaux que vous souhaitez intégrer ou désactiver. La fonction de désactivation du canal permet d'éviter d'effacer les canaux audio que vous souhaitez garder dans le signal SDI.

Par exemple, vous pouvez désactiver le canal audio analogique 1 ou les canaux AES/EBU 1 et 2 en réglant l'interrupteur 1 sur ON. Vous pouvez également intégrer ces canaux audio en réglant l'interrupteur 1 sur OFF.

## Isoler ou désactiver des canaux audio

Interrupteur	Paramètre	Canaux audio
4	ON	Désactive le canal 4 analogique, les canaux 7 et 8 AES/EBU
	OFF	Intègre le canal 4 analogique, les canaux 7 et 8 AES/EBU
3	ON	Désactive le canal 3 analogique, les canaux 5 et 6 AES/EBU
	OFF	Intègre le canal 3 analogique, les canaux 5 et 6 AES/EBU
2	ON	Désactive le canal 2 analogique, les canaux 3 et 4 AES/EBU
	OFF	Intègre le canal 2 analogique, les canaux 3 et 4 AES/EBU
1	ON	Désactive le canal 1 analogique, les canaux 1 et 2 AES/EBU
	OFF	Intègre le canal 1 analogique, les canaux 1 et 2 AES/EBU



La légende située sous le convertisseur vous donne toutes les informations nécessaires pour changer les paramètres de conversion.

## Exemple de paramétrage des interrupteurs

N'hésitez pas à faire quelques essais avec les interrupteurs. Sélectionnez par exemple les canaux audio analogiques 1 à 4 en réglant les interrupteurs 8, 6 et 5 sur OFF.

## Paramètres du Blackmagic Converters Setup

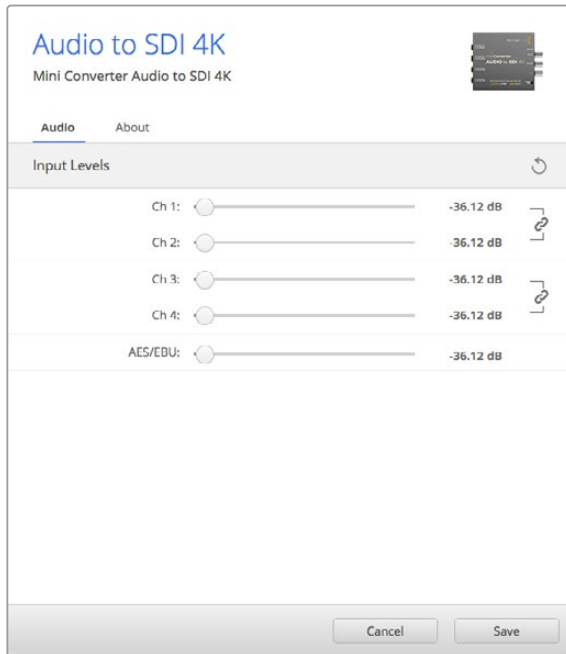
Cet utilitaire peut être utilisé pour modifier les paramètres du convertisseur et mettre à jour le logiciel interne. Vous pouvez accéder à ces paramètres en utilisant les onglets **Audio** et **About**.

Vous trouverez de plus amples informations concernant l'onglet **About** dans la section « Régler les paramètres » de ce manuel.

L'onglet **Audio** du Mini Converter Audio to SDI 4K donne accès aux paramètres suivants.

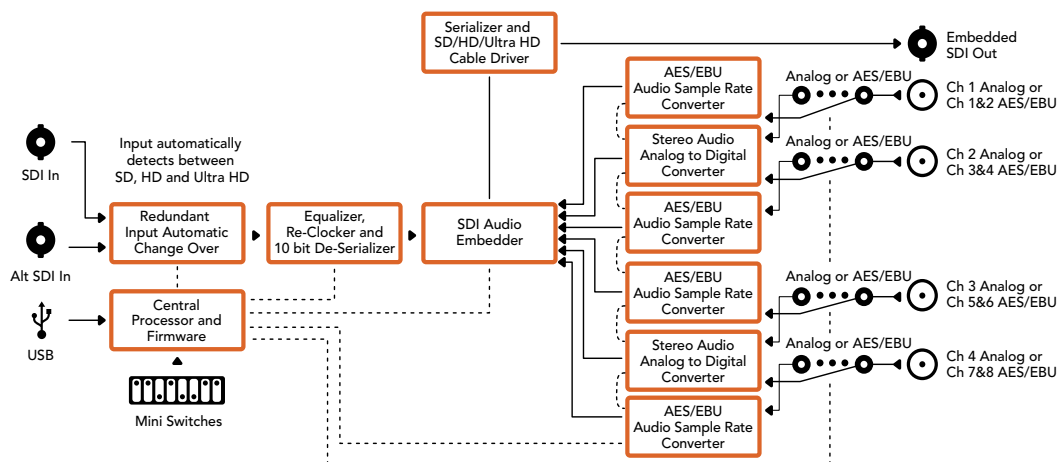
## Menu Input Levels

Ce menu vous permet de modifier le gain de l'entrée audio. Vous pouvez ajuster les niveaux audio par canal ou par paire de canaux, en cliquant sur l'icône de liaison située à côté des curseurs. Pour réinitialiser tous les niveaux audio sur 0dB, cliquez sur le bouton de réinitialisation situé en haut du menu **Output levels**.



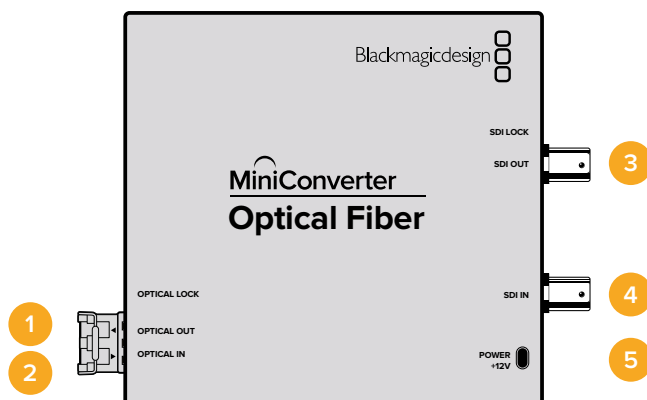
Utilisez l'onglet **Audio** du Blackmagic Converters Setup pour ajuster les niveaux de l'audio analogique.

## Schéma fonctionnel du Mini Converter Audio to SDI 4K



## Mini Converter Optical Fiber

Le Mini Converter Optical Fiber permet de convertir simultanément des signaux SDI en fibre optique et des signaux fibre optique en SDI. Il commute automatiquement entre les standards vidéo SD/HD/3G-SDI et chaque direction est complètement indépendante. Utilisez ce convertisseur si vous avez besoin d'envoyer et de recevoir des signaux SDI sur de plus longues distances avec des câbles SDI standard. Grâce à la fibre optique, la vidéo SD peut être acheminée sur 45 km, au lieu de 90 mètres avec un câble SDI en cuivre. Le 3G-SDI peut, quant à lui, être acheminé sur 25 km.



## Connecteurs

### 1 Sortie optique

La sortie fibre optique prend en charge les câbles optiques monomodes équipés d'un connecteur LC.

### 2 Entrée optique

L'entrée fibre optique prend en charge les câbles optiques monomodes équipés d'un connecteur LC.

### 3 Sortie 3G-SDI

Sortie vidéo SDI sur connecteur BNC, permettant une connexion à des équipements SDI traditionnels.

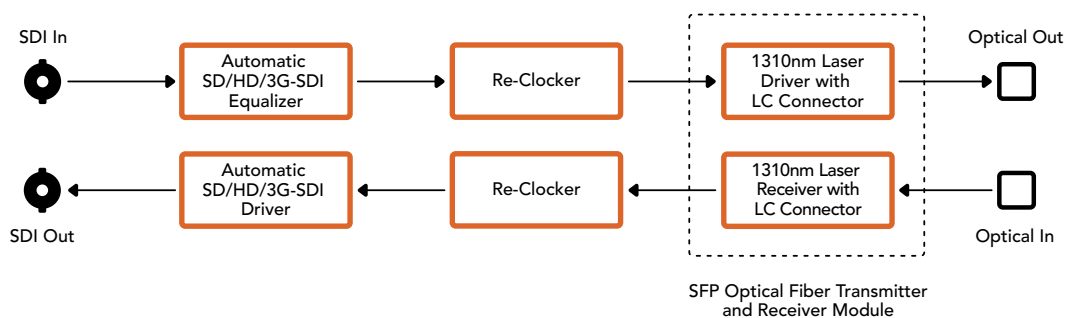
### 4 Entrée 3G-SDI

Entrée vidéo SDI sur connecteur BNC, permettant une connexion à des équipements SDI traditionnels.

### 5 Alimentation +12V

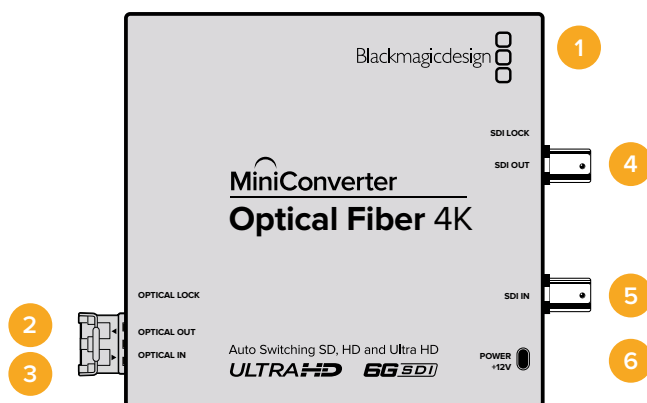
Entrée d'alimentation 12 volts.

## Schéma fonctionnel du Mini Converter Optical Fiber



## Mini Converter Optical Fiber 4K

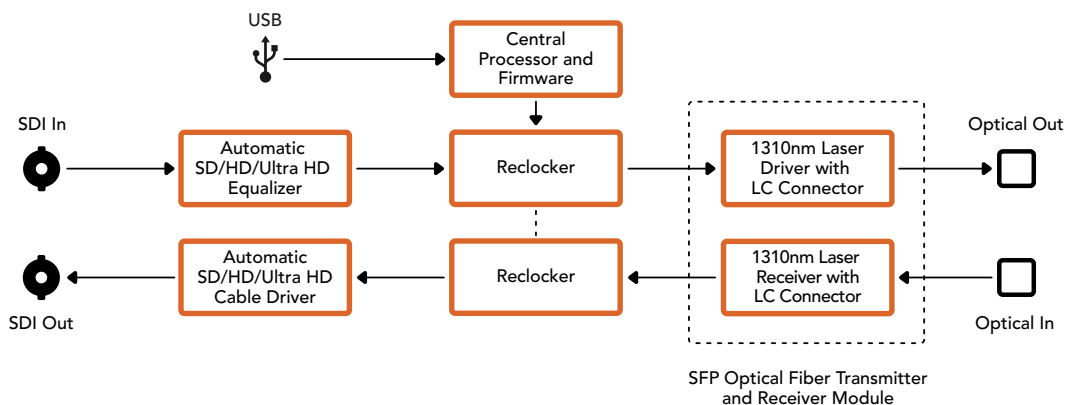
Convertissez simultanément des signaux SD/HD et 6G-SDI single link en signaux fibre optique et des signaux fibre optique en signaux SD/HD et 6G-SDI single link. Le Mini Converter Optical Fiber 4K commute automatiquement entre les standards vidéo SD/HD/3G/6G-SDI et chaque direction est complètement indépendante. Utilisez ce convertisseur si vous avez besoin d'envoyer et de recevoir des signaux SDI sur de plus longues distances avec des câbles SDI standard. Grâce à la fibre optique, la vidéo SD peut être acheminée sur 45 km, au lieu de 90 mètres avec un câble SDI en cuivre. Le 6G-SDI peut, quant à lui, être acheminé sur 12 km.



## Connecteurs

- 1 Port USB Mini-B**  
Le logiciel interne du Mini Converter peut être mis à jour à l'aide du port USB.
- 2 Sortie optique**  
La sortie fibre optique prend en charge les câbles optiques monomodes équipés d'un connecteur LC.
- 3 Entrée optique**  
L'entrée fibre optique prend en charge les câbles optiques monomodes équipés d'un connecteur LC.
- 4 Sortie SDI**  
Sortie vidéo SDI sur connecteur BNC, permettant une connexion à des équipements SDI traditionnels.
- 5 Entrée SDI**  
Entrée SDI sur connecteur BNC, permettant une connexion à des équipements SDI traditionnels.
- 6 Alimentation +12V**  
Entrée d'alimentation 12 volts.

## Schéma fonctionnel du Mini Converter Optical Fiber 4K



## Mini Converter Optical Fiber 12G

Ce convertisseur convertit de la vidéo SD et HD jusqu'en 12G-SDI en fibre optique et vice-versa simultanément.

Vous pouvez insérer un module SFP fibre optique compatible qui prend en charge les vidéos 3G, 6G ou 12G-SDI dans le logement fibre optique.

Votre convertisseur va automatiquement détecter le format de l'entrée vidéo et régler la sortie sur le format correspondant. Les deux directions de conversion sont complètement indépendantes.

Ce convertisseur est idéal si vous avez besoin d'envoyer et de recevoir des signaux SDI sur de plus longues distances qu'avec des câbles SDI standard. Par exemple, grâce à la fibre optique, la vidéo SD peut être acheminée sur 45 km, au lieu de 90 mètres avec un câble SDI en cuivre. Le 12G-SDI peut, quant à lui, être acheminé sur 6 km!



## Connecteurs

### 1 Sortie optique

La sortie fibre optique prend en charge les câbles optiques monomodes équipés d'un connecteur LC.

### 2 Entrée optique

L'entrée fibre optique prend en charge les câbles optiques monomodes équipés d'un connecteur LC.

### 3 Sortie SDI

Sortie vidéo SDI sur un connecteur BNC, permettant une connexion à des équipements SDI.

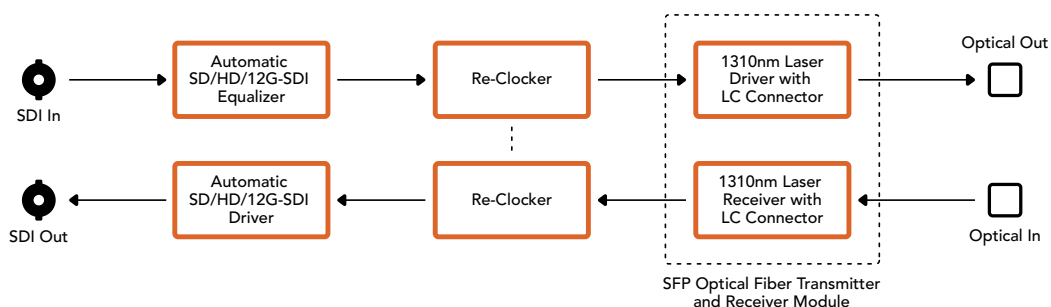
### 4 Entrée SDI

Entrée SDI sur un connecteur BNC, permettant une connexion à des équipements SDI.

### 5 ALIMENTATION +6 à 36V

Entrée d'alimentation 6-36 volts. Pour éviter toute déconnexion accidentelle, les vis de support peuvent être fixées de manière sécurisée sur le connecteur d'alimentation.

## Schéma fonctionnel du Mini Converter Optical Fiber 12G

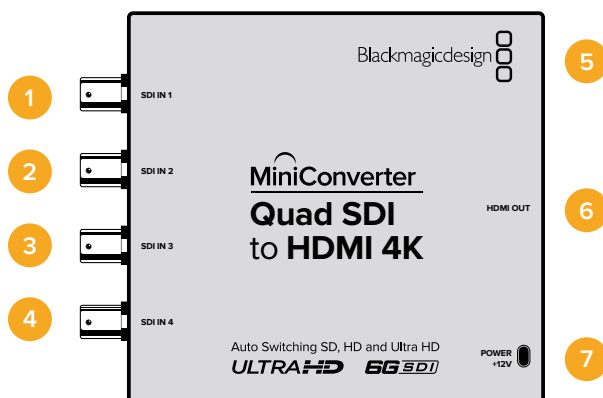


## Mini Converter Quad SDI to HDMI 4K

Le Mini Converter Quad SDI to HDMI 4K permet de convertir des signaux Ultra HD SDI single link, dual link et quad link aux nouveaux projecteurs et téléviseurs Ultra HD qui prennent en charge l'Ultra HD à partir d'une seule sortie HDMI. Vous pouvez également convertir n'importe quelle entrée en HDMI :

- SD SDI.
- HD-SDI.
- 3G-SDI Single link
- 6G-SDI Single link
- HD-SDI Dual link
- Ultra HD 3G-SDI Dual link.
- Ultra HD HD-SDI Quad link.

Lorsque la sortie HDMI détecte un moniteur HD ou une HDTV, le signal de sortie est automatiquement down-converti. Utilisez les entrées 1 et 2 uniquement avec un signal dual link valide.



## Connecteurs

Les formats pris en charge sont listés sous chaque entrée SDI :

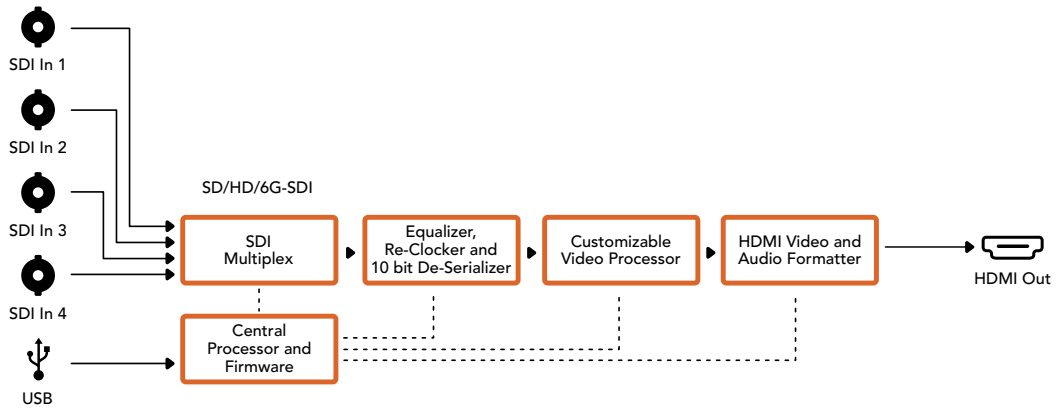
- 1 Entrée SDI 1**
  - SD/HD-SDI
  - 3G-SDI Single link
  - 6G-SDI Single link
  - HD-SDI Dual link canal A
  - Ultra HD 3G-SDI Dual link canal A
  - Ultra HD HD-SDI Quad link canal A
- 2 Entrée SDI 2**
  - HD-SDI Dual link canal B
  - Ultra HD 3G-SDI Dual link canal B
  - Ultra HD HD-SDI Quad link canal B
- 3 Entrée SDI 3**
  - Ultra HD HD-SDI Quad link canal C
- 4 Entrée SDI 4**
  - Ultra HD HD-SDI Quad link canal D

- 5 Port USB Mini-B**

Offre une connexion vers le logiciel Blackmagic Converters Setup via un ordinateur Mac OS X ou Windows. Le logiciel interne du Mini Converter peut également être mis à jour à l'aide du port USB.

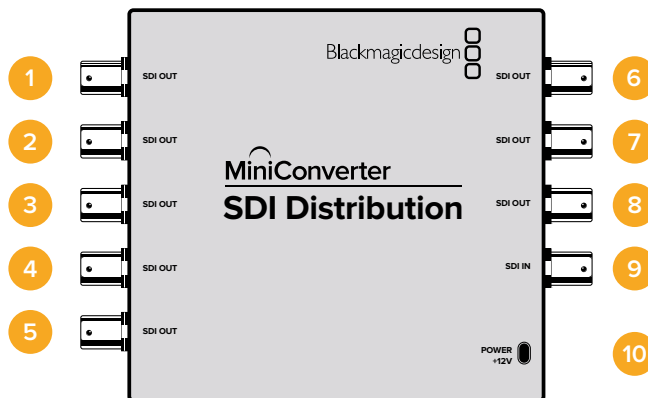
- 6 HDMI**  
Sortie vidéo HDMI de type A.
- 7 Alimentation +12V**  
Entrée d'alimentation 12 volts.

### Schéma fonctionnel du Mini Converter Quad SDI to HDMI 4K



### Mini Converter SDI Distribution

Le Mini Converter SDI Distribution vous permet d'acheminer le signal SDI simultanément vers huit appareils SDI tels que des enregistreurs, des murs d'images et des mélangeurs. Lorsque l'entrée vidéo bascule entre les formats vidéo SD-SDI, HD-SDI et 3G-SDI, le Mini Converter SDI Distribution fait automatiquement correspondre les huit sorties synchronisées. Ce convertisseur prend en charge le format ASI, les données auxiliaires et l'audio intégré.

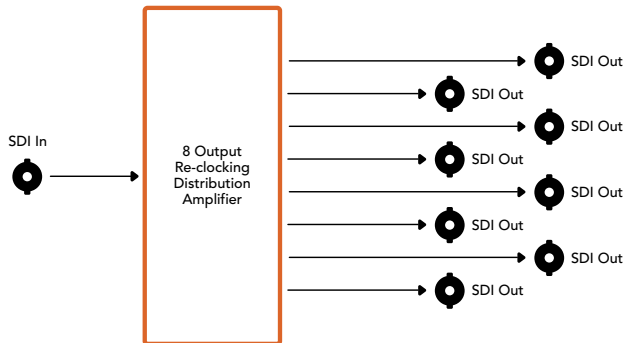


### Connecteurs

- 1-8 Sorties SDI**  
Connecteurs BNC pour sortie vidéo SDI.
- 9 SDI In**  
Entrée SDI.
- 10 Alimentation +12V**  
Entrée d'alimentation 12 volts.

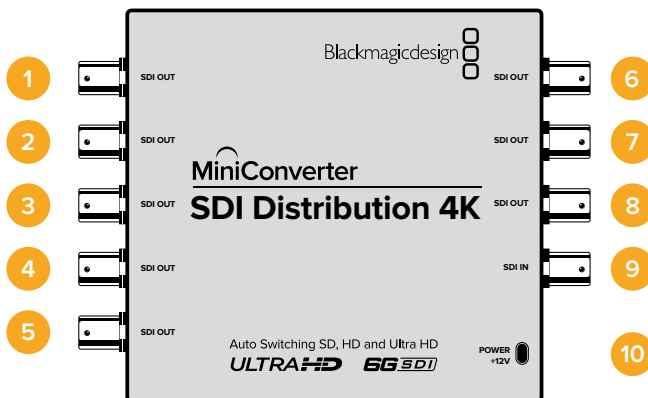


## Schéma fonctionnel du Mini Converter SDI Distribution



## Mini Converter SDI Distribution 4K

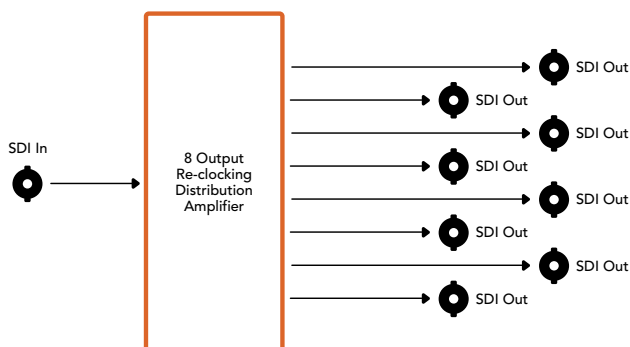
Le Mini Converter SDI Distribution 4K achemine le signal SDI simultanément vers huit appareils SDI tels que des enregistreurs, des murs d'images et des mélangeurs. Lorsque l'entrée vidéo bascule entre les formats vidéo SD/HD/3G/6G-SDI, le Mini Converter SDI Distribution 4K fait automatiquement correspondre les huit sorties synchronisées. Ce convertisseur prend en charge le format ASI, les données auxiliaires et l'audio intégré.



## Connecteurs

- 1-8 Sorties SDI**  
Connecteurs BNC pour sortie vidéo SDI.
- 9 SDI In**  
Entrée SDI.
- 10 Alimentation +12V**  
Entrée d'alimentation 12 volts.

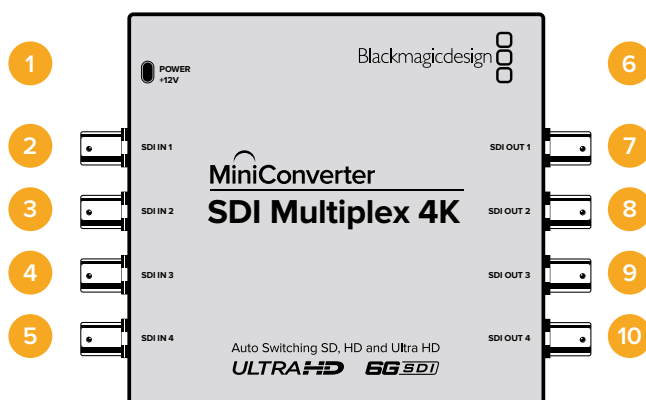
## Schéma fonctionnel du Mini Converter SDI Distribution 4K



## Mini Converter SDI Multiplex 4K

Le Mini Converter SDI Multiplex 4K permet d'effectuer les conversions suivantes :

- Distribuer un signal SD/HD et 6G-SDI vers les quatre sorties.
- Distribuer un signal HD-SDI dual link vers les quatre sorties 3G-SDI.
- 3G-SDI single link vers HD-SDI dual link. La sortie dual link est distribuée sur les deux paires de sorties.
- 6G-SDI single link vers 3G-SDI dual link ou 1.5G-SDI quad link.
- Ultra HD HD-SDI quad link vers 6G-SDI single link, ou Ultra HD 3G-SDI dual link afin de pouvoir connecter des sources Ultra HD à des écrans Ultra HD dual link. La sortie dual link est distribuée sur les deux paires de sorties.
- 3G-SDI dual link vers 6G-SDI single link.
- Ultra HD 3G-SDI dual link vers Ultra HD HD-SDI quad link afin de pouvoir connecter les toutes dernières sources Ultra HD dual link à des écrans Ultra HD quad link.



## Connecteurs

### 1 Alimentation +12V

- Entrée d'alimentation 12 volts.
- Formats pris en charge pour chaque entrée SDI :

### 2 Entrée SDI 1

- SD/HD-SDI
- 3G-SDI Single link
- 6G-SDI Single link
- HD-SDI Dual link canal A
- Ultra HD 3G-SDI Dual link canal A
- Ultra HD HD-SDI Quad link canal A

### 3 Entrée SDI 2

- HD-SDI Dual link canal B
- Ultra HD 3G-SDI Dual link canal B
- Ultra HD HD-SDI Quad link canal B

### 4 Entrée SDI 3

- Ultra HD HD-SDI Quad link canal C

### 5 Entrée SDI 4

- Ultra HD HD-SDI Quad link canal D

## 6 Port USB Mini-B

Offre une connexion vers le logiciel Blackmagic Converters Setup via un ordinateur Mac OS X ou Windows. Le logiciel interne du Mini Converter peut également être mis à jour à l'aide du port USB.

Les formats pris en charge sont listés sous chaque sortie SDI :

## 7 Sortie SDI 1

- SD/HD-SDI
- 3G-SDI Single link
- 6G-SDI Single link
- HD-SDI Dual link canal A
- Ultra HD 3G-SDI Dual link canal A
- Ultra HD HD-SDI Quad link canal A

## 8 Sortie SDI 2

- SD/HD-SDI
- 3G-SDI Single link
- 6G-SDI Single link
- HD-SDI Dual link canal B
- Ultra HD 3G-SDI Dual link canal B
- Ultra HD HD-SDI Quad link canal B

## 9 Sortie SDI 3

- SD/HD-SDI
- 3G-SDI Single link
- 6G-SDI Single link
- HD-SDI Dual link canal A
- Ultra HD 3G-SDI Dual link canal A
- Ultra HD HD-SDI Quad link canal C

## 10 Sortie SDI 4

- SD/HD-SDI
- 3G-SDI Single link
- 6G-SDI Single link
- HD-SDI Dual link canal B
- Ultra HD 3G-SDI Dual link canal B
- Ultra HD HD-SDI Quad link canal D

## Interrupteurs

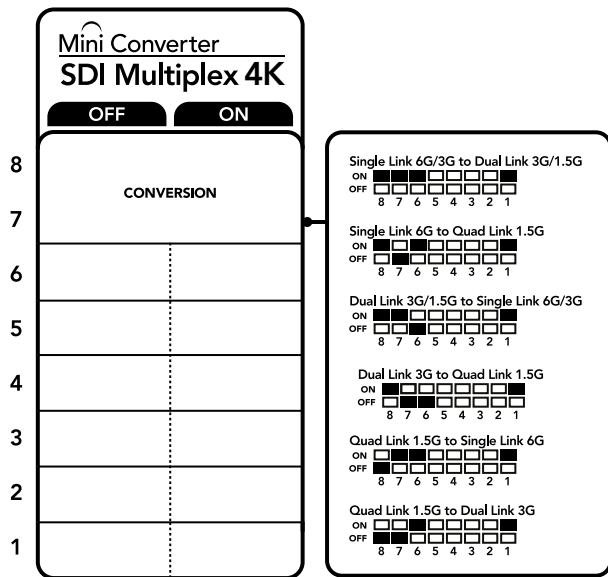
Les interrupteurs du Mini Converter SDI Multiplex 4K donnent accès aux paramètres suivants :

### Interrupteurs 8, 7 et 6 - Conversion de format

Les interrupteurs 8, 7 et 6 permettent de régler les conversions telles que HD-SDI dual link vers HD-SDI single link, ou Ultra HD quad link vers Ultra HD single link.

### Interrupteur 1 - Processing ON/OFF

Lorsque l'interrupteur 1 est réglé sur OFF, le Mini Converter SDI Multiplex 4K fait office de distributeur de signal afin d'acheminer 4 sorties SD/HD/6G-SDI.



La légende située sous le convertisseur vous donne toutes les informations nécessaires pour changer les paramètres de conversion.

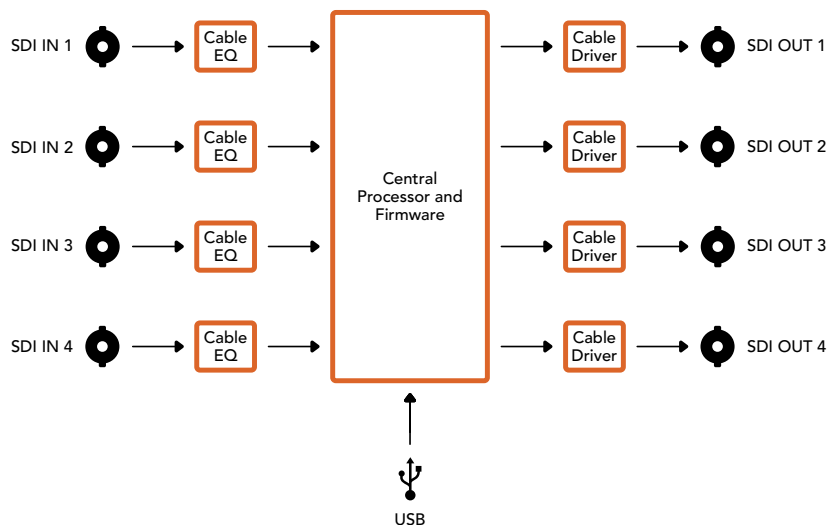
### Exemple de paramétrage des interrupteurs

Convertissez un signal Ultra HD quad link en Ultra HD dual link en réglant l'interrupteur 8 sur ON et l'interrupteur 7 sur OFF.

### Tableau de connexions SDI

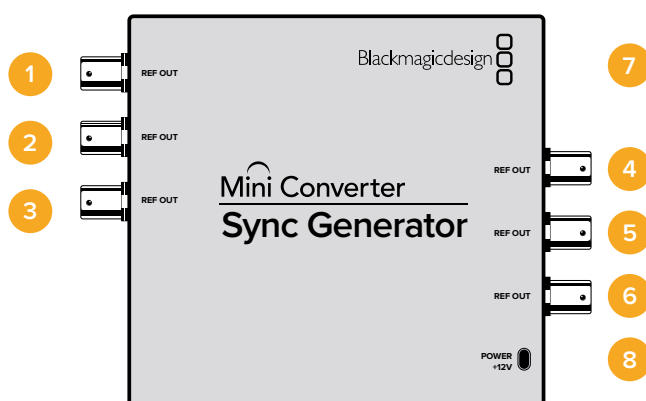
Conversion	Interrupteur 8	Interrupteur 7	Interrupteur 6	Interrupteur 1	Schéma
6G/3G-SDI Single Link vers 3G/1.5G-SDI Dual Link	ON	ON	ON	ON	ON <input checked="" type="checkbox"/> <input checked="" type="checkbox"/> <input checked="" type="checkbox"/> <input checked="" type="checkbox"/> <input checked="" type="checkbox"/> <input checked="" type="checkbox"/> <input checked="" type="checkbox"/> <input checked="" type="checkbox"/> OFF <input type="checkbox"/> <input type="checkbox"/> <input type="checkbox"/> <input type="checkbox"/> <input type="checkbox"/> <input type="checkbox"/> <input type="checkbox"/> <input type="checkbox"/> 8 7 6 5 4 3 2 1
6G-SDI Single Link vers 1.5G-SDI Quad Link	ON	OFF	ON	ON	ON <input checked="" type="checkbox"/> <input checked="" type="checkbox"/> <input checked="" type="checkbox"/> <input checked="" type="checkbox"/> <input checked="" type="checkbox"/> <input checked="" type="checkbox"/> <input checked="" type="checkbox"/> <input checked="" type="checkbox"/> OFF <input type="checkbox"/> <input type="checkbox"/> <input type="checkbox"/> <input type="checkbox"/> <input type="checkbox"/> <input type="checkbox"/> <input type="checkbox"/> <input type="checkbox"/> 8 7 6 5 4 3 2 1
3G/1.5G-SDI Dual Link vers 6G/3G-SDI Single Link	ON	ON	OFF	ON	ON <input checked="" type="checkbox"/> <input checked="" type="checkbox"/> <input type="checkbox"/> <input type="checkbox"/> <input type="checkbox"/> <input type="checkbox"/> <input type="checkbox"/> <input type="checkbox"/> OFF <input type="checkbox"/> <input type="checkbox"/> <input checked="" type="checkbox"/> <input checked="" type="checkbox"/> <input checked="" type="checkbox"/> <input checked="" type="checkbox"/> <input checked="" type="checkbox"/> <input checked="" type="checkbox"/> 8 7 6 5 4 3 2 1
3G-SDI Dual Link vers 1.5G-SDI Quad Link	ON	OFF	OFF	ON	ON <input checked="" type="checkbox"/> <input type="checkbox"/> <input type="checkbox"/> <input type="checkbox"/> <input type="checkbox"/> <input type="checkbox"/> <input type="checkbox"/> <input type="checkbox"/> OFF <input type="checkbox"/> <input checked="" type="checkbox"/> <input checked="" type="checkbox"/> <input checked="" type="checkbox"/> <input checked="" type="checkbox"/> <input checked="" type="checkbox"/> <input checked="" type="checkbox"/> <input checked="" type="checkbox"/> 8 7 6 5 4 3 2 1
1.5G-SDI Quad Link vers 6G-SDI Single Link	OFF	ON	ON	ON	ON <input type="checkbox"/> <input checked="" type="checkbox"/> <input checked="" type="checkbox"/> <input checked="" type="checkbox"/> <input checked="" type="checkbox"/> <input checked="" type="checkbox"/> <input checked="" type="checkbox"/> <input checked="" type="checkbox"/> OFF <input checked="" type="checkbox"/> <input checked="" type="checkbox"/> <input checked="" type="checkbox"/> <input checked="" type="checkbox"/> <input checked="" type="checkbox"/> <input checked="" type="checkbox"/> <input checked="" type="checkbox"/> 8 7 6 5 4 3 2 1
1.5G-SDI Quad Link vers 3G-SDI Dual Link	OFF	OFF	ON	ON	ON <input type="checkbox"/> <input type="checkbox"/> <input checked="" type="checkbox"/> <input checked="" type="checkbox"/> <input checked="" type="checkbox"/> <input checked="" type="checkbox"/> <input checked="" type="checkbox"/> <input checked="" type="checkbox"/> OFF <input checked="" type="checkbox"/> <input checked="" type="checkbox"/> <input checked="" type="checkbox"/> <input checked="" type="checkbox"/> <input checked="" type="checkbox"/> <input checked="" type="checkbox"/> <input checked="" type="checkbox"/> 8 7 6 5 4 3 2 1

## Schéma fonctionnel du Mini Converter SDI Multiplex 4K



## Mini Converter Sync Generator

Le Mini Converter Sync Generator comprend six sorties vidéo de référence stabilisées au quartz pour synchroniser tous vos équipements vidéo. Il produit des signaux tri-sync en haute définition ou blackburst en définition standard. C'est la solution parfaite pour les petits studios et les cars régie.



## Connecteurs

### 1-6 Sortie de référence

Connecteurs BNC pour sortie de référence.

### 7 Port USB Mini-B

Offre une connexion vers le logiciel Blackmagic Converters Setup via un ordinateur Mac OS X ou Windows. Le logiciel interne du Mini Converter peut également être mis à jour à l'aide du port USB.

### 8 Alimentation +12V

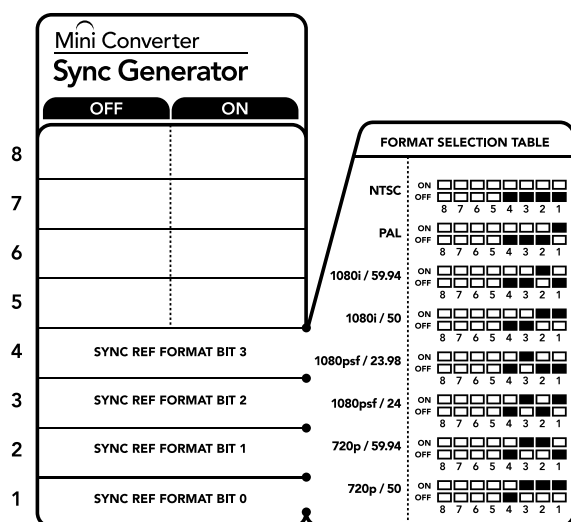
Entrée d'alimentation 12 volts.

## Interrupteurs

Les interrupteurs du Mini Converter Sync Generator donnent accès aux paramètres suivants :

### Interrupteurs 4, 3, 2 et 1 - SYNC REF FORMAT BIT 3, 2, 1 et 0

Les interrupteurs 4, 3, 2 et 1 sont regroupés pour offrir les formats de référence suivants :



La légende située sous le convertisseur vous donne toutes les informations nécessaires pour changer les paramètres de conversion.

### Tableau de sélection du format vidéo

Format vidéo	Interrupteur 4	Interrupteur 3	Interrupteur 2	Interrupteur 1	Schéma
NTSC	OFF	OFF	OFF	OFF	ON <input type="checkbox"/> <input type="checkbox"/> <input type="checkbox"/> <input type="checkbox"/> <input type="checkbox"/> <input type="checkbox"/> <input type="checkbox"/> <input type="checkbox"/> OFF <input type="checkbox"/> <input type="checkbox"/> <input type="checkbox"/> <input type="checkbox"/> <input type="checkbox"/> <input type="checkbox"/> <input type="checkbox"/> <input type="checkbox"/>
PAL	OFF	OFF	OFF	ON	ON <input type="checkbox"/> <input type="checkbox"/> <input type="checkbox"/> <input type="checkbox"/> <input type="checkbox"/> <input type="checkbox"/> <input type="checkbox"/> <input type="checkbox"/> OFF <input type="checkbox"/> <input type="checkbox"/> <input type="checkbox"/> <input type="checkbox"/> <input type="checkbox"/> <input type="checkbox"/> <input type="checkbox"/> <input type="checkbox"/>
720p50	OFF	ON	ON	ON	ON <input type="checkbox"/> <input type="checkbox"/> <input type="checkbox"/> <input type="checkbox"/> <input type="checkbox"/> <input type="checkbox"/> <input type="checkbox"/> <input type="checkbox"/> OFF <input type="checkbox"/> <input type="checkbox"/> <input type="checkbox"/> <input type="checkbox"/> <input type="checkbox"/> <input type="checkbox"/> <input type="checkbox"/> <input type="checkbox"/>
720p59.94	OFF	ON	ON	OFF	ON <input type="checkbox"/> <input type="checkbox"/> <input type="checkbox"/> <input type="checkbox"/> <input type="checkbox"/> <input type="checkbox"/> <input type="checkbox"/> <input type="checkbox"/> OFF <input type="checkbox"/> <input type="checkbox"/> <input type="checkbox"/> <input type="checkbox"/> <input type="checkbox"/> <input type="checkbox"/> <input type="checkbox"/> <input type="checkbox"/>
720p60	ON	ON	ON	OFF	ON <input type="checkbox"/> <input type="checkbox"/> <input type="checkbox"/> <input type="checkbox"/> <input type="checkbox"/> <input type="checkbox"/> <input type="checkbox"/> <input type="checkbox"/> OFF <input type="checkbox"/> <input type="checkbox"/> <input type="checkbox"/> <input type="checkbox"/> <input type="checkbox"/> <input type="checkbox"/> <input type="checkbox"/> <input type="checkbox"/>
1080i50	OFF	OFF	ON	ON	ON <input type="checkbox"/> <input type="checkbox"/> <input type="checkbox"/> <input type="checkbox"/> <input type="checkbox"/> <input type="checkbox"/> <input type="checkbox"/> <input type="checkbox"/> OFF <input type="checkbox"/> <input type="checkbox"/> <input type="checkbox"/> <input type="checkbox"/> <input type="checkbox"/> <input type="checkbox"/> <input type="checkbox"/> <input type="checkbox"/>
1080i59.94	OFF	OFF	ON	OFF	ON <input type="checkbox"/> <input type="checkbox"/> <input type="checkbox"/> <input type="checkbox"/> <input type="checkbox"/> <input type="checkbox"/> <input type="checkbox"/> <input type="checkbox"/> OFF <input type="checkbox"/> <input type="checkbox"/> <input type="checkbox"/> <input type="checkbox"/> <input type="checkbox"/> <input type="checkbox"/> <input type="checkbox"/> <input type="checkbox"/>
1080i60	ON	OFF	OFF	OFF	ON <input type="checkbox"/> <input type="checkbox"/> <input type="checkbox"/> <input type="checkbox"/> <input type="checkbox"/> <input type="checkbox"/> <input type="checkbox"/> <input type="checkbox"/> OFF <input type="checkbox"/> <input type="checkbox"/> <input type="checkbox"/> <input type="checkbox"/> <input type="checkbox"/> <input type="checkbox"/> <input type="checkbox"/> <input type="checkbox"/>

Format vidéo	Interrupteur 4	Interrupteur 3	Interrupteur 2	Interrupteur 1	Schéma
1080PsF23.98	OFF	ON	OFF	OFF	ON OFF 8 7 6 5 4 3 2 1
1080PsF24	OFF	ON	OFF	ON	ON OFF 8 7 6 5 4 3 2 1
1080p23.98	ON	ON	OFF	ON	ON OFF 8 7 6 5 4 3 2 1
1080p24	ON	ON	OFF	OFF	ON OFF 8 7 6 5 4 3 2 1
1080p25	ON	OFF	ON	ON	ON OFF 8 7 6 5 4 3 2 1
1080p29.97	ON	OFF	ON	OFF	ON OFF 8 7 6 5 4 3 2 1
1080p30	ON	OFF	OFF	ON	ON OFF 8 7 6 5 4 3 2 1

#### Interrupteur 3 - Sync Ref Format Bit 2

Référez-vous à la description de l'interrupteur 4.

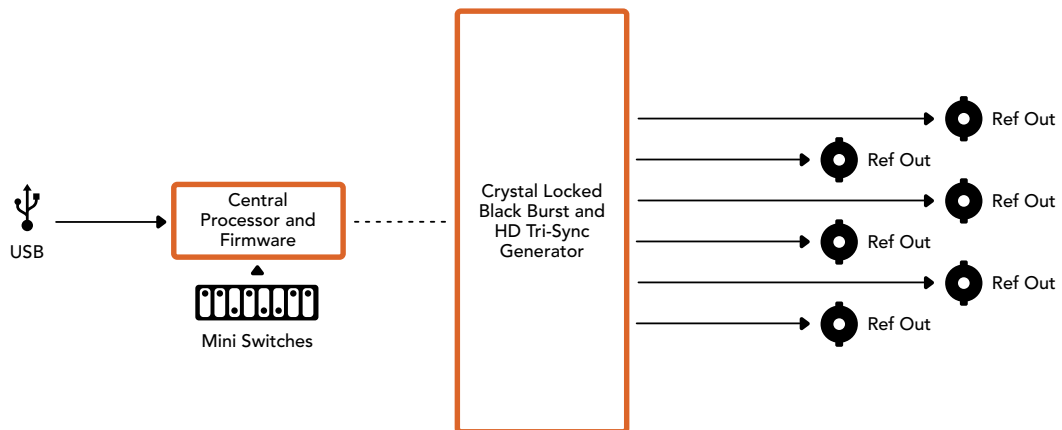
#### Interrupteur 2 - Sync Ref Format Bit 1

Référez-vous à la description de l'interrupteur 4.

#### Interrupteur 1 - Sync Ref Format Bit 0

Référez-vous à la description de l'interrupteur 4.

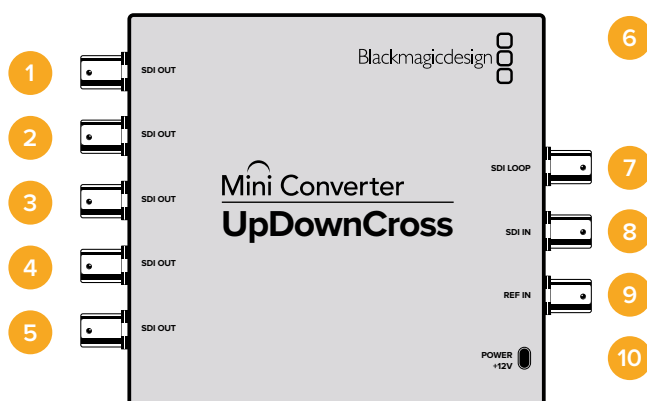
### Schéma fonctionnel du Mini Converter Sync Generator



## Mini Converter UpDownCross

Le Mini Converter UpDownCross effectue des up/down/cross-conversions ainsi que des conversions de standard NTSC/PAL et des conversions de format. Il permet de convertir des formats vidéo tels que 720p et 1080i, et des standards vidéo PAL et NTSC. Il effectue également des up-conversions avec différents formats d'image tels que Pillarbox 4:3 et Zoom 16:9 ainsi que des down-conversions aux formats Letterbox 4:3 et 16:9 anamorphosé.

Lorsque la conversion est réglée sur OFF, ce Mini Converter fait office de distributeur de signal SDI.



## Connecteurs

### 1-5 Sorties SDI

Connecteurs BNC pour sortie vidéo SDI.

### 6 Port USB Mini-B

Offre une connexion vers le logiciel Blackmagic Converters Setup via un ordinateur Mac OS X ou Windows. Le logiciel interne du Mini Converter peut également être mis à jour à l'aide du port USB.

### 7 Sortie SDI en boucle

Sortie directe de l'entrée vidéo.

### 8 SDI In

Entrée SDI.

### 9 REF IN

Entrée de référence.

### 10 Alimentation +12V

Entrée d'alimentation 12 volts.

## Interrupteurs

Les interrupteurs du Mini Converter UpDownCross donnent accès aux paramètres suivants :

### Interrupteur 8 - Aspect Ratio Conversion

Les interrupteurs 8 et 7 permettent de régler le format de l'image lors de la up ou down-conversion. Par exemple, lors de la down-conversion, il est possible d'appliquer le format d'image Letterbox en réglant les interrupteurs 8 et 7 sur OFF.





Vous trouverez ci-dessous une description pour chaque conversion de format d'image :

### Up-conversion

- **Pillarbox 4:3** : Ce paramètre affiche une image SD 4:3 dans un cadre HD 16:9. Des bandes noires apparaissent sur les parties latérales.

### Down-conversion

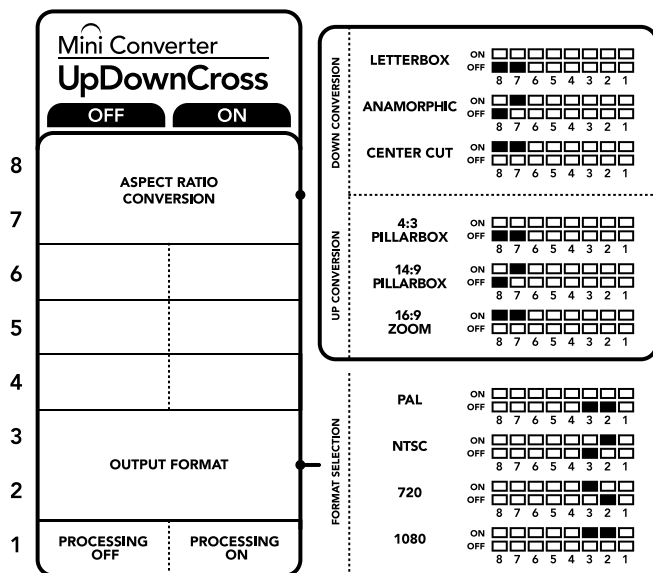
- **Letterbox** : Ce paramètre affiche l'intégralité de l'image HD 16:9 dans un cadre SD 4:3 sans comprimer l'image. Des bandes noires apparaissent dans les parties supérieures et inférieures de l'image.
- **Anamorphosé** : Ce paramètre comprime horizontalement l'image HD 16:9 pour qu'elle remplisse le cadre SD 4:3.
- **Center Cut** : Ce paramètre découpe un cadre SD 4:3 dans l'image HD 16:9. Ce format d'image supprime une portion des parties latérales de l'image 16:9.
- **Pillarbox 14:9** : Ce paramètre est un compromis entre le pillarbox 4:3 et le zoom 16:9. Léger zoom dans l'image SD 4:3. Le cadre 16:9 contient plus d'images et moins de bandes noires latérales. Légère perte dans les parties inférieures et supérieures de l'image.
- **De-Squeeze 16:9** : Ce paramètre étire l'image anamorphosée SD 4:3 jusqu'à ce qu'elle remplisse le cadre 16:9. L'image 4:3 est affichée dans son intégralité.

### Interrupteur 1 - Processing Off - Processing On

Lorsque l'interrupteur 1 est réglé sur OFF, les conversions ne sont pas appliquées et le Mini Converter peut être utilisé pour distribuer la vidéo à six appareils SDI.

### Exemple de paramétrage des interrupteurs :

Réglez les interrupteurs 8 et 7 sur OFF et les interrupteurs 3, 2 et 1 sur ON pour up-convertir de la vidéo 625i50 4:3 en 1080i50 avec un format d'image Pillarbox 4:3.

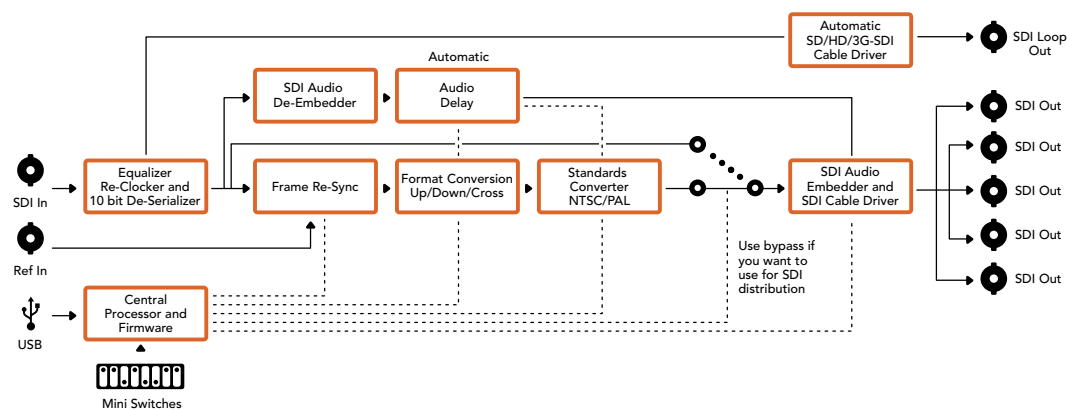


La légende située sous le convertisseur vous donne toutes les informations nécessaires pour changer les paramètres de conversion.

Tableau de conversion du Mini Converter UpDownCross

	NTSC	PAL	720p	1080
Entrée vidéo	Interrupteurs 1 et 2 ON	Interrupteur 1 ON	Interrupteurs 1 et 3 ON	Interrupteurs 1, 2 et 3 ON
525i59.94	525i59.94	625i50	720p59.94	1080i59.94
625i50	525i59.94	625i50	720p50	1080i50
720p50	525i59.94	625i50	720p50	1080i50
720p59.94	525i59.94	625i50	720p59.94	1080i59.94
720p60	525i59.94	625i50	720p60	1080i60
1080PsF23.98	525i59.94	625i50	720p59.94	1080PsF23.98
1080p23.98	525i59.94	625i50	720p59.94	1080p23.98
1080PsF24	525i59.94	625i50	720p50	1080PsF24
1080p24	525i59.94	625i50	720p50	1080p24
1080p25	525i59.94	625i50	720p50	1080p25
1080p29.97	525i59.94	625i50	720p59.94	1080p29.97
1080p30	525i59.94	625i50	720p60	1080p30
1080i50	525i59.94	625i50	720p50	1080i50
1080i59.94	525i59.94	625i50	720p59.94	1080i59.94
1080i60	525i59.94	625i50	720p60	1080i60
1080p50	525i59.94	625i50	720p50	1080p50
1080p59.94	525i59.94	625i50	720p59.94	1080p59.94
1080p60	525i59.94	625i50	720p60	1080p60
2048x1556PsF23.98	525i59.94	625i50	2048x1556PsF23.98	2048x1556PsF23.98
2048x1556PsF24	525i59.94	625i50	2048x1556PsF24	2048x1556PsF24
2048x1556PsF25	525i59.94	625i50	2048x1556PsF25	2048x1556PsF25

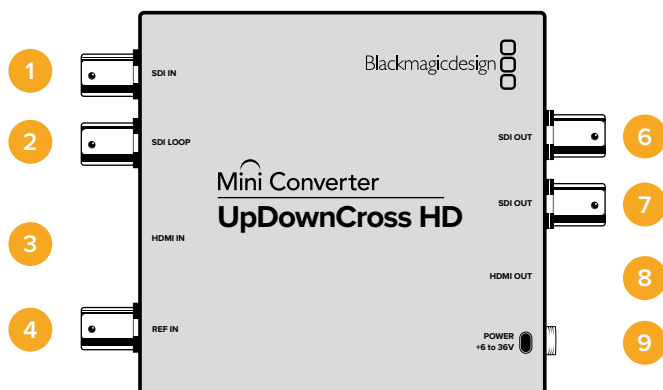
Schéma fonctionnel du Mini Converter UpDownCross



## Mini Converter UpDownCross HD

Le Mini Converter UpDownCross HD est un convertisseur de normes très puissant qui permet d'effectuer une up-conversion, une down-conversion ou une cross-conversion à partir de n'importe quel format vidéo SD ou HD via SDI et HDMI. Ce convertisseur prend en charge les formats SD et HD jusqu'à 1080p60 et NTSC et PAL avec différents formats d'image pour les up et les down-conversions. L'entrée HDMI accepte également les résolutions de sortie d'ordinateur 1024 x 768, 800 x 600 et 640 x 480.

Lorsque la conversion est réglée sur OFF, les sorties HDMI et SDI se transforment en sorties en boucle. Ainsi, vous pouvez acheminer le signal d'entrée vers un autre équipement HDMI ou SDI.



### Connecteurs

#### 1 ENTRÉE SDI

Le petit voyant LED situé près du connecteur BNC s'allume lorsqu'un signal SDI synchronisé est détecté. Lorsque les entrées SDI et HDMI sont toutes deux connectées, la priorité est donnée à la sortie SDI.

#### 2 BOUCLE SDI

Sortie en boucle directe de l'entrée vidéo SDI.

#### 3 ENTRÉE HDMI

Entrée vidéo HDMI de type A. Un petit voyant LED situé près du connecteur HDMI IN s'allume lorsqu'une entrée HDMI valide est détectée.

#### 4 ENTRÉE DE RÉFÉRENCE

Entrée de référence. Un petit voyant LED situé près du connecteur REF IN indique les différents statuts du signal de référence : Blanc fixe - L'entrée de référence correspond au format de la sortie vidéo réglé sur le convertisseur. Blanc clignotant - Le format de l'entrée de référence est valide mais il ne correspond pas au format vidéo de la sortie réglé sur le convertisseur.

#### 5 PORT USB-C

Offre une connexion vers le logiciel Blackmagic Converters Setup via un ordinateur Mac OS X ou Windows. Le logiciel interne du Mini Converter peut également être mis à jour à l'aide du port USB.

#### 6-7 SORTIES SDI

Connecteurs BNC pour sortie vidéo SDI.

#### 8 SORTIE HDMI






















Sortie vidéo HDMI de type A.

#### 9 ALIMENTATION +6 à 36V

Entrée d'alimentation 6-36 volts. Pour éviter toute déconnexion accidentelle, les vis de support peuvent être fixées de manière sécurisée sur le connecteur d'alimentation. Un petit voyant LED situé près de l'entrée jack DC s'allume lorsque l'alimentation est connectée.



Tableau de sélection du format vidéo

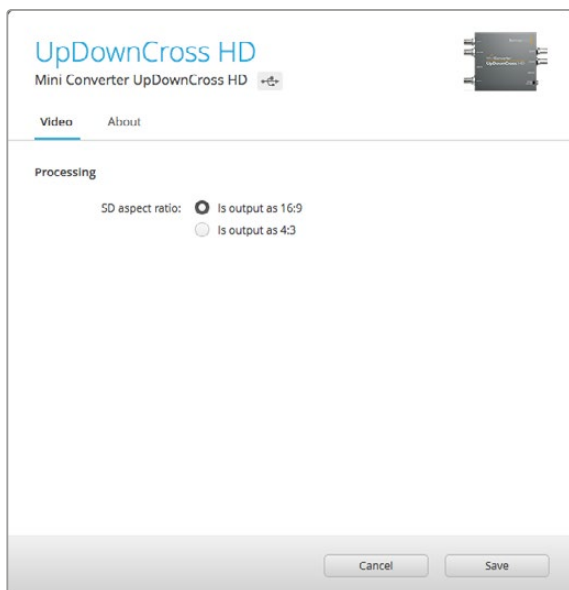
Video Format	Interrupteur					Switch Diagram
	8	7	6	5	4	
525i59.94 NTSC	OFF	OFF	OFF	OFF	OFF	ON OFF  8 7 6 5 4 3 2 1
625i50 PAL	OFF	OFF	OFF	OFF	ON	ON OFF  8 7 6 5 4 3 2 1
720p50	OFF	OFF	OFF	ON	OFF	ON OFF  8 7 6 5 4 3 2 1
720p59.94	OFF	OFF	OFF	ON	ON	ON OFF  8 7 6 5 4 3 2 1
720p60	OFF	OFF	ON	OFF	ON	ON OFF  8 7 6 5 4 3 2 1
1080i50	OFF	OFF	ON	OFF	ON	ON OFF  8 7 6 5 4 3 2 1
1080i59.94	OFF	OFF	ON	ON	OFF	ON OFF  8 7 6 5 4 3 2 1
1080i60	OFF	OFF	ON	ON	ON	ON OFF  8 7 6 5 4 3 2 1
1080PsF23.98	OFF	ON	OFF`	OFF	OFF	ON OFF  8 7 6 5 4 3 2 1
1080PsF24	OFF	ON	OFF	OFF	ON	ON OFF  8 7 6 5 4 3 2 1
1080PsF25	OFF	ON	OFF	ON	OFF	ON OFF  8 7 6 5 4 3 2 1
1080PsF29.97	OFF	ON	OFF	ON	ON	ON OFF  8 7 6 5 4 3 2 1
1080PsF30	OFF	ON	ON	OFF	OFF	ON OFF  8 7 6 5 4 3 2 1
1080p23.98	OFF	ON	ON	OFF	ON	ON OFF  8 7 6 5 4 3 2 1
1080p24	OFF	ON	ON	ON	OFF	ON OFF  8 7 6 5 4 3 2 1
1080p25	OFF	ON	ON	ON	ON	ON OFF  8 7 6 5 4 3 2 1
1080p29.97	OFF	ON	ON	ON	OFF	ON OFF  8 7 6 5 4 3 2 1
1080p30	ON	OFF	OFF	OFF	ON	ON OFF  8 7 6 5 4 3 2 1
1080p50	ON	OFF	OFF	ON	OFF	ON OFF  8 7 6 5 4 3 2 1
1080p59.94	ON	OFF	OFF	ON	ON	ON OFF  8 7 6 5 4 3 2 1
1080p60	ON	OFF	ON	OFF	OFF	ON OFF  8 7 6 5 4 3 2 1

## Utilitaire Blackmagic Converters Setup

L'utilitaire Blackmagic Converters Setup vous permet de modifier les paramètres, tels que le format de l'image, et de mettre à jour le logiciel des Mini Converter. Tous les réglages de l'utilitaire sont conservés, même lorsque le Mini Converter est éteint. Vous pouvez accéder à ces paramètres en utilisant les onglets **Video**, **Audio** et **About**.

Vous trouverez de plus amples informations concernant l'onglet **About** dans la section « Régler les paramètres » de ce manuel.

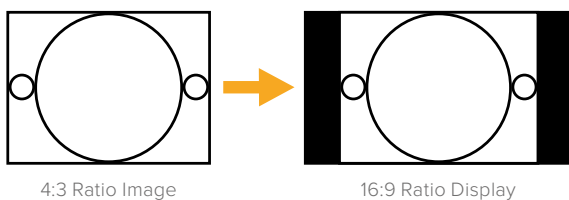
L'onglet **Video** du Mini Converter UpDownCross HD donne accès aux paramètres suivants:



Utilisez l'onglet **Video** du Converters Setup pour sélectionner un format d'image SD.

### Format d'image pour la définition standard

Décochez cette case pour acheminer de la vidéo 4:3 pillarbox. Cochez cette case pour acheminer une version SD 16:9. Par exemple, si votre sortie vidéo est en SD 4:3 et que vous laissez cette case décochée, la vidéo sera acheminée en 4:3 pillarbox pour conserver le format d'image 4:3 original à l'intérieur d'une image 16:9. Cependant, si votre entrée vidéo est en SD 16:9, vous devrez cocher la case pour effectuer une conversion directe en 16:9.

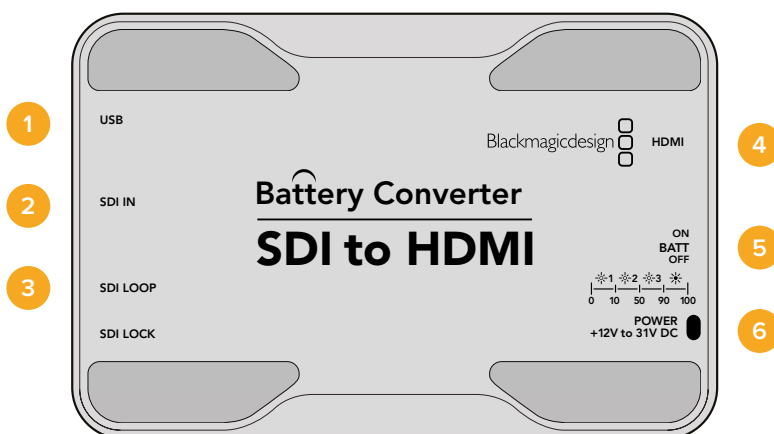


Le format d'image de l'utilitaire est réglé par défaut sur la vidéo SD en 4:3 pillarbox. Toutefois, vous pouvez configurer le convertisseur pour conserver un format 16:9, en sélectionnant la case sur l'onglet **Video** de l'utilitaire.

# Blackmagic Battery Converters

## Battery Converter SDI to HDMI

Le Battery Converter SDI to HDMI permet de connecter une large gamme d'écrans HDMI et de vidéoprojecteurs HDMI à du matériel SDI. Ce convertisseur détecte automatiquement les signaux SD/HD/3G-SDI et les convertit en HDMI avec audio intégré. De plus, il intègre une batterie rechargeable et des connecteurs encastrés, protégés par un boîtier en aluminium de qualité aéronautique.

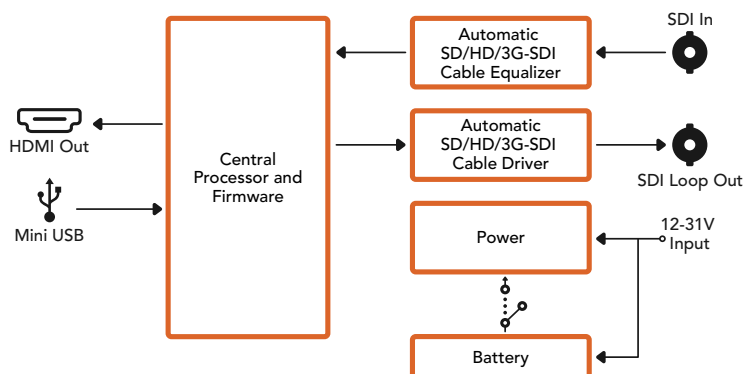


## Connecteurs

- 1 Port USB Mini-B**  
Offre une connexion vers le logiciel Blackmagic Converters Setup via un ordinateur Mac OS X ou Windows. Le logiciel interne du Mini Converter peut également être mis à jour à l'aide du port USB.
- 2 Entrée SDI**  
Connecteur BNC pour l'entrée SDI principale.
- 3 Sortie SDI en boucle**  
Sortie en boucle de entrée SDI.
- 4 HDMI**  
Sortie vidéo HDMI de type A.
- 5 ON BATT OFF**  
Active et désactive l'alimentation par batterie. Lorsqu'il est réglé sur On, le Battery Converter continue de fonctionner même si l'alimentation externe est interrompue. Lorsqu'il est réglé sur Off, seule l'alimentation externe est utilisée afin de conserver la charge de la batterie. La LED située à côté de l'interrupteur indique le niveau de charge. Lorsque le voyant est allumé en continu, la charge est de 100%. Le voyant clignote trois fois, lorsque la charge est de 50-90%, deux fois lorsque la charge est de 10-50% et une fois lorsque la charge est inférieure à 10%.
- 6 Alimentation +12V**  
Entrée d'alimentation 12 volts.

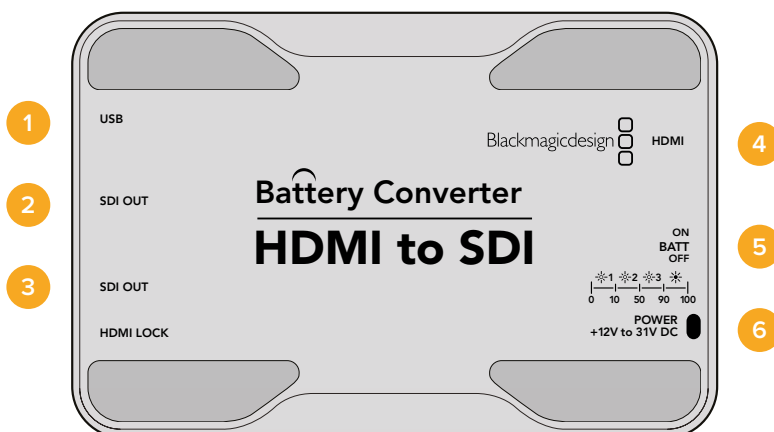


## Schéma fonctionnel du Battery Converter SDI to HDMI



## Battery Converter HDMI to SDI

Le Battery Converter HDMI to SDI permet de convertir des signaux HDMI provenant d'appareils tels que des caméras HDV et des consoles de jeux en SDI. Vous pouvez ainsi envoyer des signaux vidéo provenant d'appareils HDMI à du matériel SDI à l'aide de longs câbles SDI. Vous pouvez même ajouter des sorties SDI à des ordinateurs équipés de connexions HDMI. Le Battery Converter HDMI to SDI intègre une batterie rechargeable. De plus, les connexions sont encastrées et protégées par un boîtier en aluminium de qualité aéronautique.



## Connecteurs

- 1 Port USB Mini-B**  
 Offre une connexion vers le logiciel Blackmagic Converters Setup via un ordinateur Mac OS X ou Windows. Le logiciel interne du Mini Converter peut également être mis à jour à l'aide du port USB.
- 2 SORTIE SDI**  
 Connecteur BNC pour sortie vidéo SDI.
- 3 SORTIE SDI**  
 Deuxième sortie SDI.
- 4 HDMI**  
 Entrée vidéo HDMI de type A.

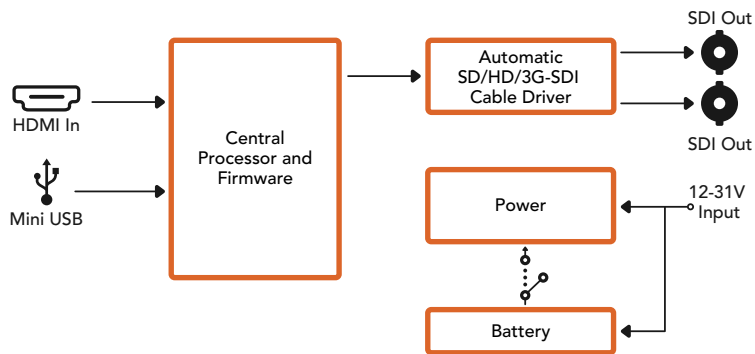
## 5 ON BATT OFF

Active et désactive l'alimentation par batterie. Lorsqu'il est réglé sur On, le Battery Converter continue de fonctionner même si l'alimentation externe est interrompue. Lorsqu'il est réglé sur Off, seule l'alimentation externe est utilisée afin de conserver la charge de la batterie. La LED située à côté de l'interrupteur indique le niveau de charge. Lorsque le voyant est allumé en continu, la charge est de 100%. Le voyant clignote trois fois, lorsque la charge est de 50-90%, deux fois lorsque la charge est de 10-50% et une fois lorsque la charge est inférieure à 10%.

## 6 Alimentation +12V

Entrée d'alimentation 12 volts.

### Schéma fonctionnel du Battery Converter HDMI to SDI



# Assistance

## Obtenir de l'aide

Le moyen le plus rapide d'obtenir de l'aide est de consulter les pages d'assistance en ligne de Blackmagic Design et de consulter les informations les plus récentes concernant votre convertisseur Blackmagic.

### Pages d'assistance en ligne de Blackmagic Design

Les dernières versions du manuel, du logiciel et des notes d'assistance peuvent être consultées sur la page d'assistance technique de Blackmagic Design : [www.blackmagicdesign.com/fr/support](http://www.blackmagicdesign.com/fr/support).

### Forum Blackmagic Design

Le forum Blackmagic Design est une source d'information utile qui offre des idées innovantes pour vos productions. Cette plate-forme d'aide vous permettra également d'obtenir des réponses rapides à vos questions, car un grand nombre de sujets peuvent avoir déjà été abordés par d'autres utilisateurs. Pour vous rendre sur le forum : <http://forum.blackmagicdesign.com>

### Contactez le service d'assistance de Blackmagic Design

Si vous ne parvenez pas à trouver l'aide dont vous avez besoin sur la page d'assistance ou sur notre forum, veuillez utiliser l'option « Envoyez un email », accessible sur la page d'assistance pour envoyer une demande d'aide par email. Vous pouvez également cliquer sur le bouton « Trouver un support technique » et contacter ainsi le centre d'assistance technique Blackmagic Design le plus proche de chez vous.

### Vérification du logiciel actuel

Pour vérifier quelle version du logiciel Blackmagic Converter Setup est installée sur votre ordinateur, ouvrez la fenêtre About Blackmagic Converter Setup.

- Sur Mac OS X, ouvrez le logiciel Blackmagic Converter Setup dans le dossier Applications. Sélectionnez À propos de Blackmagic Converter Setup dans le menu d'application pour connaître le numéro de version.
- Sur Windows 7, ouvrez le logiciel Blackmagic Converter Setup dans le menu Démarrer. Cliquez sur le menu Aide et sélectionnez À propos de Blackmagic Converter Setup pour connaître le numéro de version.
- Sur Windows 8, ouvrez le logiciel Blackmagic Converter Setup à partir de la vignette Blackmagic Converter Setup située sur l'écran d'accueil. Cliquez sur le menu Aide et sélectionnez À propos de Blackmagic Converter Setup pour connaître le numéro de version.

### Comment obtenir les dernières mises à jour du logiciel

Après avoir vérifié la version du logiciel Blackmagic Converter Setup installée sur votre ordinateur, veuillez visiter le centre d'assistance technique de Blackmagic Design à l'adresse suivante [www.blackmagicdesign.com/fr/support](http://www.blackmagicdesign.com/fr/support) pour vérifier les dernières mises à jour. Même s'il est généralement conseillé d'installer les dernières mises à jour, il est prudent d'éviter d'effectuer ces mises à jour au milieu d'un projet important.

# Garantie

## Garantie limitée

Par la présente, Blackmagic Design garantit que les Mini Converters et les Mini Converters Heavy Duty seront exempts de défauts matériels et de fabrication pendant une durée de 36 mois à compter de la date d'achat, ceci excluant les connecteurs, câbles, modules à fibre optique, fusibles et batteries qui seront exempts de défauts matériels et de fabrication pendant une durée de 12 mois à compter de la date d'achat. Blackmagic Design garantit que les Battery Converters seront exempts de défauts matériels et de fabrication pendant une durée de 12 mois à compter de la date d'achat. Si un produit s'avère défectueux pendant la période de garantie, Blackmagic Design peut, à sa seule discrétion, réparer le produit défectueux sans frais pour les pièces et la main-d'œuvre, ou le remplacer.

Pour se prévaloir du service offert en vertu de la présente garantie, il vous incombe d'informer Blackmagic Design de l'existence du défaut avant expiration de la période de garantie, et de prendre les mesures nécessaires pour l'exécution des dispositions de ce service. Le consommateur a la responsabilité de s'occuper de l'emballage et de l'expédition du produit défectueux au centre de service nommé désigné par Blackmagic Design, en frais de port prépayé. Il incombe au consommateur de payer tous les frais de transport, d'assurance, droits de douane et taxes et toutes autres charges relatives aux produits qui nous auront été retournés, et ce quelle que soit la raison.

La présente garantie ne saurait en aucun cas s'appliquer à des défauts, pannes ou dommages causés par une utilisation inappropriée ou un entretien inadéquat ou incorrect. Blackmagic Design n'a en aucun cas l'obligation de fournir un service en vertu de la présente garantie : a) pour réparer les dommages résultant de tentatives de réparations, d'installations ou tous services effectués par du personnel non qualifié par Blackmagic Design, b) pour réparer tout dommage résultant d'une utilisation inadéquate ou d'une connexion à du matériel incompatible, c) pour réparer tout dommage ou dysfonctionnement causés par l'utilisation de pièces ou de fournitures n'appartenant pas à la marque de Blackmagic Design, d) pour examiner un produit qui a été modifié ou intégré à d'autres produits quand l'impact d'une telle modification ou intégration augmente les délais ou la difficulté d'examiner ce produit. CETTE GARANTIE REMPLACE TOUTE GARANTIE EXPLICITE OU IMPLICITE. BLACKMAGIC DESIGN ET SES REVENDEURS DÉCLINENT EXPRESSÉMENT TOUTE GARANTIE IMPLICITE DE COMMERCIALISATION OU D'ADAPTATION DANS QUELQUE BUT QUE CE SOIT. LA RESPONSABILITÉ DE BLACKMAGIC DESIGN POUR RÉPARER OU REMPLACER UN PRODUIT S'AVÉRANT DÉFECTUEUX CONSTITUE LA TOTALITÉ ET LE SEUL RECOURS EXCLUSIF PRÉVU ET FOURNI AU CONSOMMATEUR POUR TOUT DOMMAGE INDIRECT, SPÉCIFIQUE, ACCIDENTEL OU CONSÉCUTIF, PEU IMPORTE QUE BLACKMAGIC DESIGN OU SES REVENDEURS AIENT ÉTÉ INFORMÉS OU SE SOIENT RENDU COMPTE AU PRÉALABLE DE L'ÉVENTUALITÉ DE CES DOMMAGES. BLACKMAGIC DESIGN NE PEUT ÊTRE TENU POUR RESPONSABLE DE TOUTE UTILISATION ILLICITE OU ABUSIVE DU MATÉRIEL PAR LE CONSOMMATEUR. BLACKMAGIC DESIGN N'EST PAS RESPONSABLE DES DOMMAGES RÉSULTANT DE L'UTILISATION DE CE PRODUIT. LE CONSOMMATEUR MANIPULE CE PRODUIT À SES SEULS RISQUES.

© Copyright 2018 Blackmagic Design. Tous droits réservés. 'Blackmagic Design', 'DeckLink', 'HDLink', 'Workgroup Videohub', 'Multibridge Pro', 'Multibridge Extreme', 'Intensity' et 'Leading the creative video revolution' sont des marques déposées aux États-Unis et dans d'autres pays. Tous les autres noms de société et de produits peuvent être des marques déposées des sociétés respectives auxquelles ils sont associés.



Installations- und Bedienungsanleitung

# Blackmagic Converters

Juni 2018

Deutsch



## Willkommen

Vielen Dank, dass Sie für Ihre Produktionsbedürfnisse unsere Blackmagic Converter erworben haben.

Mit den Blackmagic Konverterserien Mini Converter, Mini Converter Heavy Duty, Battery Converter und Micro Converter bekommen Sie eine Lösung für praktisch jede erdenkliche Konvertierung geboten. Mini Converter ermöglichen folgende Konvertierungen: analog nach digital, digital nach analog, SDI nach Audio, Audio nach SDI sowie Ab- und Aufwärts- bzw. Crosskonvertierung und SDI-Distribution. Zudem synchronisiert ein Sync-Generator Ihre unterschiedlichen Videogeräte gemäß eines vorgegebenen Referenzsignals. Unsere Mini Converter Heavy Duty bewältigen dieselben Konvertierungen und sind dank ihrer robusten Ausführung ideal für den Drehorteinsatz. Die Battery Converter eignen sich ferner für ortsungebundene Drehs mit und ohne externe Stromversorgung. Die noch kompakteren Blackmagic Micro Converter sind speziell für gängige Konvertierungen wie SDI nach HDMI und HDMI nach SDI konzipiert. So lassen sich Ihre HDMI-Ausgaben beliebig an SDI-Videorekorder und Mischer oder aber SDI-Videogeräte an HDMI-Bildschirme anschließen.

Diese Bedienungsanleitung enthält alle Informationen zur Inbetriebnahme Ihrer Blackmagic Converter.

Bitte sehen Sie auf den Support-Seiten unter [www.blackmagicdesign.com/de/support](http://www.blackmagicdesign.com/de/support) nach der aktuellsten Auflage dieses Handbuchs und etwaigen Aktualisierungen der Produktsoftware für Ihre Blackmagic Converter. Halten Sie Ihre Produktsoftware stets auf dem aktuellsten Stand und sichern Sie sich so den Zugriff auf die neuesten Features. Bitte registrieren Sie beim Herunterladen von Software Ihre Kontaktdaten, damit wir Sie über neue Versionen informieren können. Wir arbeiten ständig an neuen Features und Verbesserungen und würden uns über Ihr Feedback freuen!

A handwritten signature in black ink that reads "Grant Petty". The signature is written in a cursive, flowing style.

**Grant Petty**

CEO, Blackmagic Design



# Inhaltsverzeichnis

## Blackmagic Converters

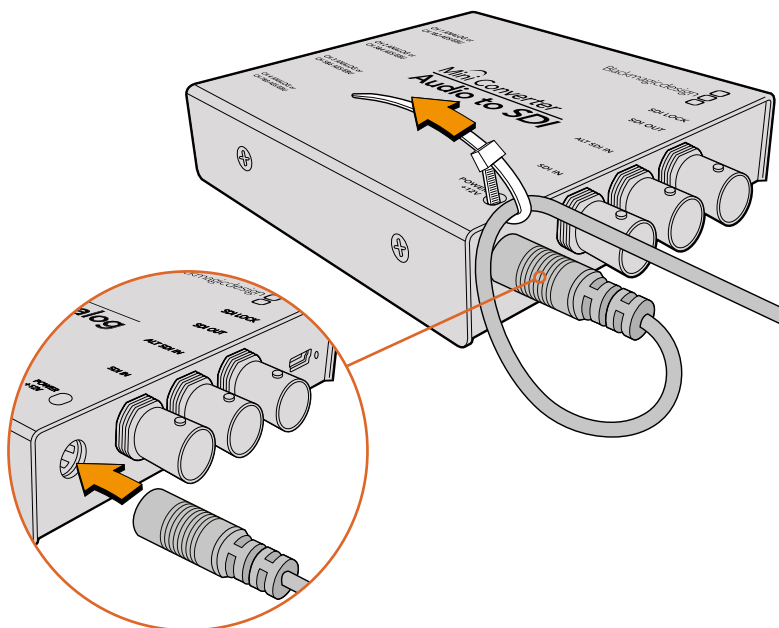
<b>Erste Schritte</b>	275	Mini Converter HDMI to SDI 4K	304
Anschließen an das Stromnetz	275	Mini Converter HDMI to SDI 6G	307
Anschließen von Videogeräten	276	Mini Converter SDI to Analog	310
Anschließen von Audiogeräten	277	Mini Converter SDI to Analog 4K	315
<b>Installieren der Verwaltungssoftware</b>	278	Mini Converter Analog to SDI	319
Installation von Blackmagic Converters Setup	278	Mini Converter SDI to Audio	323
Aktualisieren der Produktsoftware	279	Mini Converter SDI to Audio 4K	326
Aktualisieren des Mini Converter SDI Distribution 4K	280	Mini Converter Audio to SDI	329
<b>Einstellungen ändern</b>	281	Mini Converter Audio to SDI 4K	333
Einstellungen über die Switches ändern	281	Mini Converter Optical Fiber	337
Einstellungen mit Blackmagic Converters Setup ändern	282	Mini Converter Optical Fiber 4K	338
Der Reiter „About“	283	Mini Converter Optical Fiber 12G	339
<b>Blackmagic Konverterserien</b>	283	Mini Converter Quad SDI to HDMI 4K	340
<b>Teranex Mini Converters</b>	283	Mini Converter SDI Distribution	341
<b>Blackmagic Micro Converters</b>	284	Mini Converter SDI Distribution 4K	342
Micro Converter SDI to HDMI	284	Mini Converter SDI Multiplex 4K	343
Micro Converter HDMI to SDI	285	Mini Converter Sync Generator	346
Micro Converter BiDirectional SDI/HDMI	287	Mini Converter UpDownCross	349
<b>Blackmagic Mini Converters</b>	289	Mini Converter UpDownCross HD	353
Mini Converter SDI to HDMI	289	Converters Setup Dienstprogramm	356
Mini Converter SDI to HDMI 4K	292	<b>Blackmagic Battery Converters</b>	357
Mini Converter SDI to HDMI 6G	296	Battery Converter SDI to HDMI	357
Mini Converter HDMI to SDI	301	Battery Converter HDMI to SDI	358
		<b>Hilfe</b>	360
		<b>Garantie</b>	361

## Erste Schritte

Die Inbetriebnahme Ihres Blackmagic Converters ist einfach: Stecken Sie ein Stromkabel ein und schließen Sie Ihre Videoquellen an den Videoeingang und die Zielgeräte für die Ausgabe an.

### Anschließen an das Stromnetz

Wählen Sie den entsprechenden Steckdosenadapter für Ihr Land und stecken Sie das mitgelieferte 12V-Netzteil ein. Wenn Ihr Konverter über einen Kabelbinderpunkt verfügt, können Sie angeschlossene Stromkabel zusätzlich sicher am Gerät befestigen.



Befestigen Sie das Stromkabel am Kabelbinderpunkt, um unbeabsichtigte Stromunterbrechungen zu vermeiden

### Micro Converter

Blackmagic Micro Converter werden über einen Micro-USB-Verbinder mit Strom versorgt. Diese Stromversorgung ist praktisch und flexibel. Sie können Ihren Konverter bspw. beliebig mit einem Akkuladegerät moderner Mobiltelefone oder über den USB-Port Ihres Laptops mit Strom versorgen. Die Stromversorgung kann von jedem Gerät erfolgen, das 5-Volt-fähige USB-Kabel mit Standard-USB nach Micro-USB unterstützt.

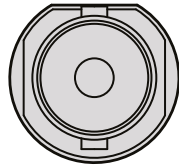
### Battery Converter

Blackmagic Battery Converter haben einen Schalter „Battery On/Off“ (Akku Ein/Aus), mit dem zwischen Netz- und Akkustrom hin und her geschaltet wird. Ist „ON“ (Ein) aktiviert, läuft der Battery Converter während einer externen Stromunterbrechung weiter. Im „OFF“-Modus (Aus) wird nur auf externen Strom zugegriffen, um internen Akkustrom zu sparen. Eine LED-Leuchte neben dem Schalter informiert über den Akkuladestatus: Leuchtet sie durchgehend, ist der Akku voll. Blinkt sie dreimal bzw. zweimal, sind 50–90% bzw. 10–50% Akkustrom vorhanden. Ein einmaliges Blinken bedeutet weniger als 10% Akkustrom.

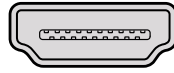


## Anschließen von Videogeräten

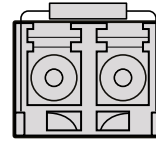
Um Ihre Videoein- und ausgaben zu verbinden, koppeln Sie Ihre Videoquelle an den Videoeingang Ihres Konverters und die Videoausgabe an Ihr Zielequipment.



**BNC**



**HDMI**

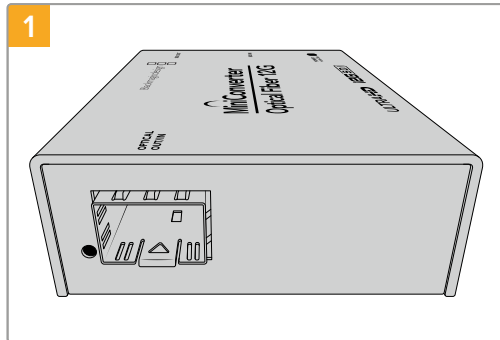


**Optical Fiber**

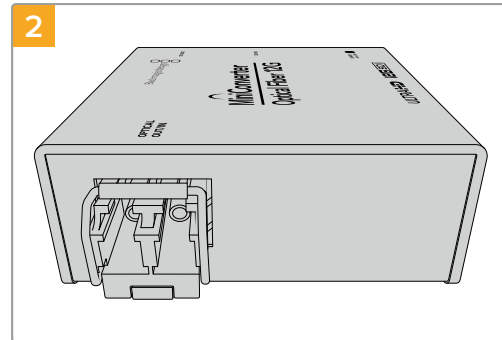
Die Videoanschlüsse der Blackmagic Converter liegen je nach Modell als BNC, HDMI oder Optical Fiber LC (Glasfaser) vor

### Glasfaser-Steckverbinder

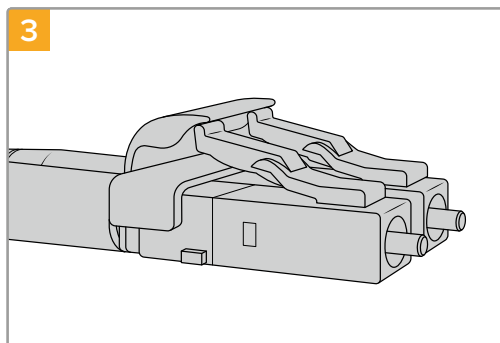
Einige Blackmagic Converter Modelle haben eine SFP-Buchse für ein kompatibles SFP-Glasfasermodul, das 3G-, 6G und 12G-SDI-Video unterstützt. Das Modul ist ein optischer Sender und Empfänger mit Buchsen für Glasfaserkabel.



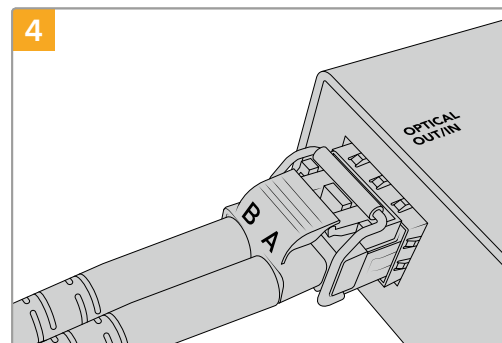
1 Prüfen Sie die Glasfaserbuchse und stellen Sie sicher, dass sie staubfrei ist.



2 Nehmen Sie die Schutzabdeckung vom SFP-Glasfasermodul ab und stecken Sie es in die SFP-Buchse. Eine Sperrvorrichtung rastet ein, um das Modul sicher in der Buchse zu befestigen.



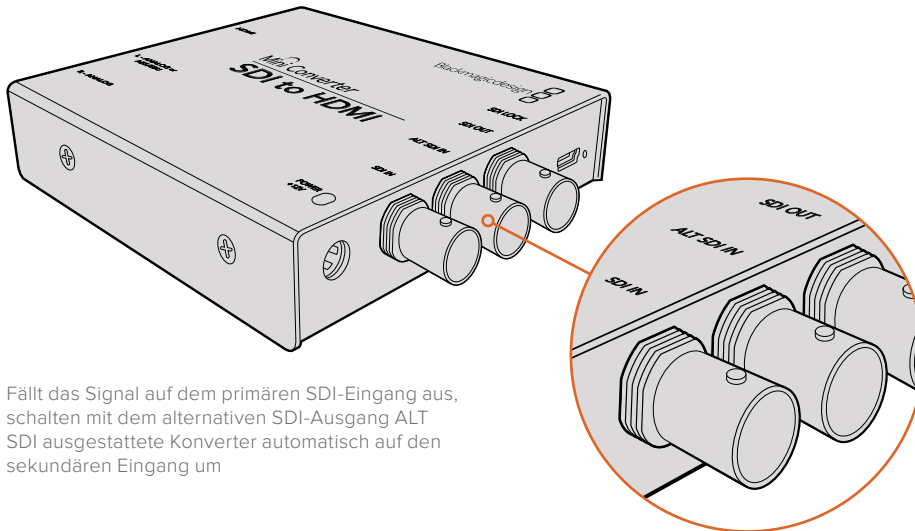
3 Die Stecker der Glasfaserkabel sind oben mit einer Selbsthalterung versehen, damit sie nicht herausfallen.



4 Stecken Sie die Glasfaserkabel ein. Vergewissern Sie sich, dass Sie die Stecker richtig herum in die Buchse stecken und dass die Selbsthalterung an den Steckern aufrecht an der Metallklammer des SFP-Glasfasermoduls einrastet.

### Alternative Fail-Safe-SDI-Eingänge

Einige Blackmagic Converter Modelle sind mit alternativen SDI-Eingängen zu Redundanzzwecken ausgestattet. Diese Eingänge sind mit ALT SDI IN gekennzeichnet und springen bei Ausfall des primären SDI-Eingabesignals sofort ein. Sollte dies vorkommen, blinkt das Lämpchen SDI LOCK, um anzuzeigen, dass der Konverter auf den alternativen SDI-Eingang ALT SDI IN umgeschaltet hat.

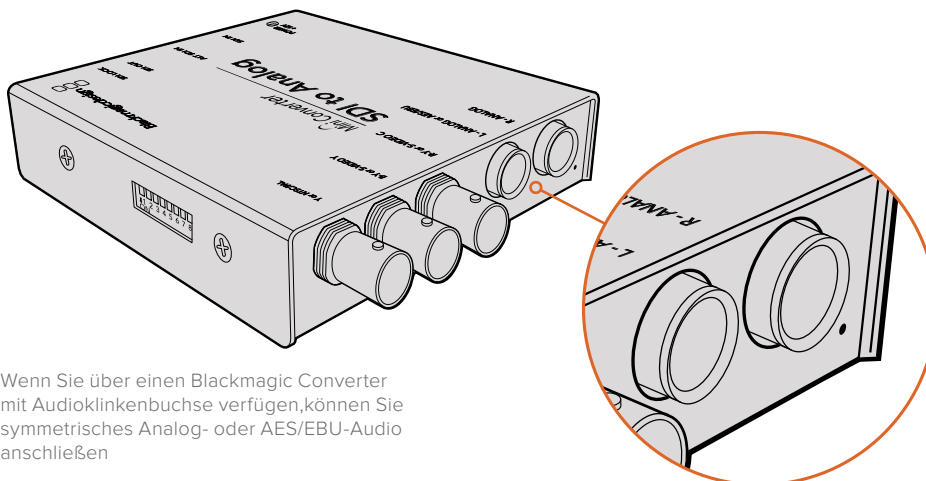


Fällt das Signal auf dem primären SDI-Eingang aus, schalten mit dem alternativen SDI-Ausgang ALT SDI ausgestattete Konverter automatisch auf den sekundären Eingang um

## Anschließen von Audiogeräten

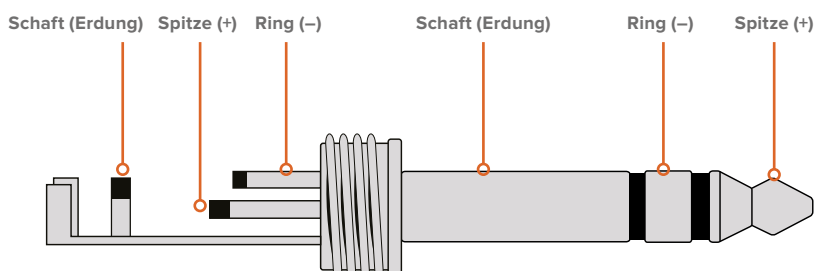
### Audioklinkenstecker

Einige Blackmagic Converter verfügen über integrierte 1/4-Zoll-Klinkenbuchsen. D. h. Sie können symmetrische externe Analogaudioquellen oder digitale AES/EBU-Audioquellen anschließen. Bei diesen 1/4-Zoll-Klinkensteckern handelt es sich um TRS-Klinkenstecker. TRS steht für „Tip“ (Spitze), „Ring“ (Ring) und „Sleeve“ (Schaft) und bezieht sich auf die drei Kontaktpunkte des Klinkensteckers.



Wenn Sie über einen Blackmagic Converter mit Audioklinkenbuchse verfügen, können Sie symmetrisches Analog- oder AES/EBU-Audio anschließen

Die nachfolgende Abbildung zeigt den 1/4-Zoll-Klinkenstecker mit internen Kontaktstiften. So können Sie Ihre eigenen Audiokabel bauen.



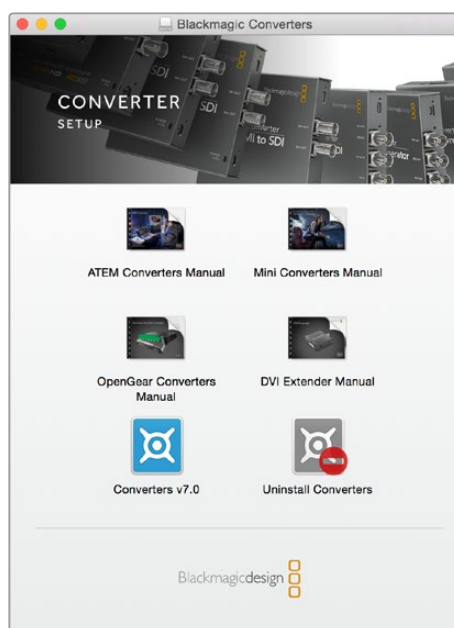
Die Abbildung auf der vorhergehenden Seite stellt die positiven und negativen Kontaktstifte sowie Erdungsstifte des Audioklinkensteckers dar. Möchten Sie die Polarität Ihres Analogaudiokabels entsprechend Ihres Audioequipments umkehren, können Sie die positiven und negativen Drähte an Spitze und Ring einfach austauschen.

**HINWEIS** Wenn Sie analoge Audioinhalte in Stereo anschließen und für eine Klinkenbuchse die Polarität umkehren, ist dies auch für die zweite Buchse vorzunehmen, sodass Ihr Audio nicht phasenverkehrt wird.

## Installieren der Verwaltungssoftware

### Installation von Blackmagic Converters Setup

Blackmagic Converters Setup wird für die Änderung von Einstellungen und zur Aktualisierung der Produktsoftware Ihres Konverters verwendet. Die verfügbaren Einstellungen unterscheiden sich je nach Konvertermodell. Einige Blackmagic Converter Modelle werden ohne Einstellungsänderungen betrieben und verfügen über keine Produktsoftware. Daher haben diese Modelle keinen USB-Anschluss. Wenn Ihr Konverter einer von diesen ist, können Sie direkt zu diesem Modell blättern, um mehr zu erfahren.



Blackmagic Converters Setup kann auf Computern unter Mac OS X und Windows installiert werden

#### Installation unter Mac OS X

- 1 Laden Sie die Blackmagic Converters Setup Software von unserer Firmenwebsite [www.blackmagicdesign.com/de](http://www.blackmagicdesign.com/de) herunter.
- 2 Entpacken Sie die heruntergeladene Datei und öffnen Sie das angezeigte Disk-Image, um den Inhalt zu sichten.
- 3 Doppelklicken Sie auf das Installationsprogramm und folgen Sie den Anweisungen zur Fertigstellung der Installation.
- 4 Klicken Sie nach abgeschlossener Installation auf „Close“ (Schließen). Blackmagic Converters Setup ist nun installiert.

## Installation unter Windows

- 1 Laden Sie die Blackmagic Converters Setup Software von unserer Firmenwebsite [www.blackmagicdesign.com/de](http://www.blackmagicdesign.com/de) herunter.
- 2 Entpacken Sie die heruntergeladene Datei. Nun müssten Sie einen Ordner namens Blackmagic Converters Setup sehen, der eine PDF-Version dieses Handbuchs und das Installationsprogramm Blackmagic Converters Setup enthält.
- 3 Doppelklicken Sie auf das Installationsprogramm und folgen Sie den Anweisungen zur Fertigstellung der Installation.
- 4 Klicken Sie auf „Finish“ (Fertigstellen), um die Installation abzuschließen.

Blackmagic Converters Setup ist jetzt einsatzbereit.

## Aktualisieren der Produktsoftware

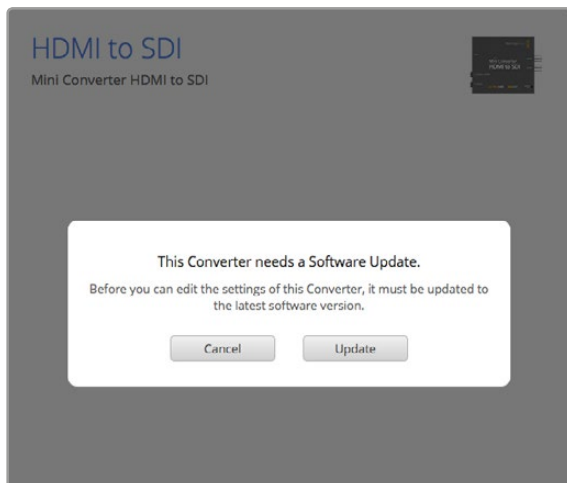
Wenn Ihr Blackmagic Converter einen USB-Anschluss enthält, stehen Ihnen weitere Einstellungen zur Verfügung und Sie können Ihren Konverter mit der neuesten Produktsoftware aktualisieren. Die aktuellste Software kann im Support-Center unter [www.blackmagicdesign.com/de/support](http://www.blackmagicdesign.com/de/support) heruntergeladen werden.

Während Sie Ihren Blackmagic Micro Converter aktualisieren, brauchen Sie keine externe Stromversorgung, weil er über den USB-Port mit Strom gespeist wird.

Die Modelle Blackmagic Mini Converter, Battery Converter und Mini Converter Heavy Duty sind jedoch extern mit Strom zu versorgen, bevor sie per USB an Ihren Computer angeschlossen werden.

- 1 Versorgen Sie Ihren Konverter mit Strom.
- 2 Verbinden Sie Ihren Konverter per USB-Kabel mit Ihrem Computer und starten Sie Blackmagic Converters Setup.

Ihr Blackmagic Converter wird auf der Startseite des Setup-Dienstprogramms angezeigt. Wenn Sie mehrere Konverter über USB angeschlossen haben, klicken Sie auf die Pfeilsymbole rechts und links auf der Homepage, um Konverter gezielt auszuwählen.



Blackmagic Converters Setup fordert Sie zu einem Update auf, sollte auf Ihrem Konverter eine ältere Version der Produktsoftware erkannt werden

Ist kein Konverter angeschlossen, erscheint auf der Startseite die Meldung „No Converters Found“ (Keine Konverter gefunden). Ist ein Konverter per USB an Ihren Computer angeschlossen, wird aber nicht extern mit Strom versorgt, liefert die Startseite die Meldung „Keine Stromversorgung vorhanden“. Schließen Sie Ihren Konverter an das Stromnetz an, um zu den Einstellungen zu gelangen.

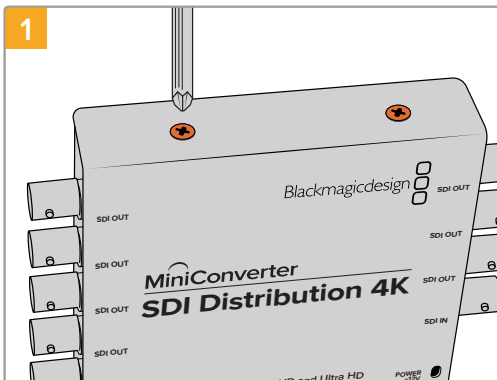
Wenn Blackmagic Converters Setup eine neuere Produktsoftware enthält, als die in Ihrem Blackmagic Converter aktuell installierte, werden Sie zu einem Update aufgefordert. Folgen Sie den Anweisungen auf dem Bildschirm, um die Aktualisierung auszuführen.

## Aktualisieren des Mini Converter SDI Distribution 4K

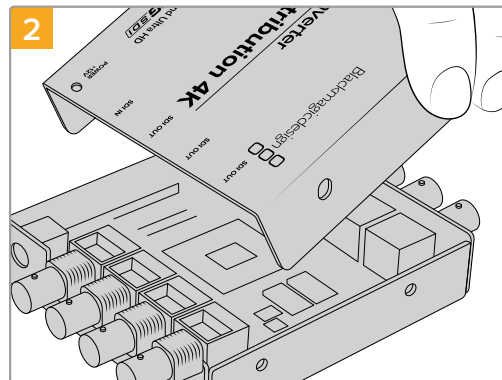
Der Blackmagic Mini Converter SDI Distribution 4K verfügt über einen internen USB-Anschluss. Da es für diesen Mini Converter keine vom Benutzer anpassbaren Einstellungen gibt, muss er auch nicht an eine Setup-Software angeschlossen werden. Hin und wieder werden jedoch Produktsoftware-Updates veröffentlicht, die die Kompatibilität des Converters mit anderen Geräten verbessern. So optimiert bspw. die Blackmagic Converters Software in der Version 7.0.9 die Kompatibilität des Mini Converters mit Level-A-3G-SDI-Signalen.

Sollte sich ein bestimmtes Update an Equipment richten, das Sie in Verbindung mit dem Mini Converter SDI Distribution 4K einsetzen, dann folgen Sie bitte diesen Schritten, um auf den USB-Anschluss Ihres Mini Converters zuzugreifen:

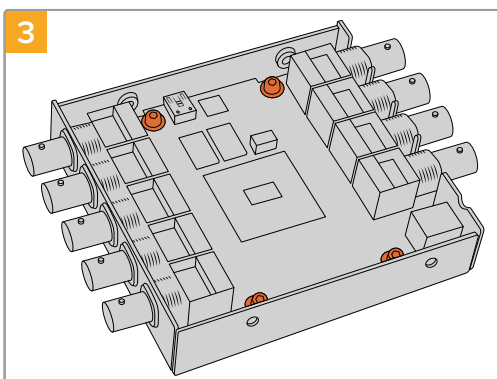
**HINWEIS** Vergewissern Sie sich, dass Ihr Mini Converter SDI Distribution 4K vom Stromnetz getrennt ist, bevor Sie fortfahren. Wir empfehlen, diese Aufgabe von einem qualifizierten Techniker unter Zuhilfenahme eines Antistatikbands durchführen zu lassen.



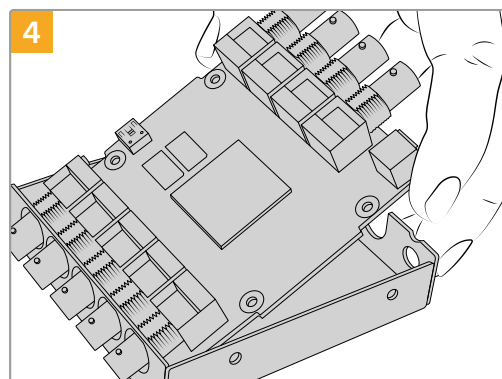
Entfernen Sie die vier M3-Schrauben an den Seiten des Mini Converter SDI Distribution 4K mit einem Kreuzschlitzschraubendreher.



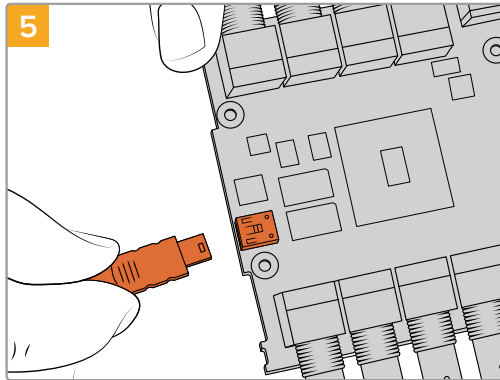
Ziehen Sie die äußere Abdeckung ab.



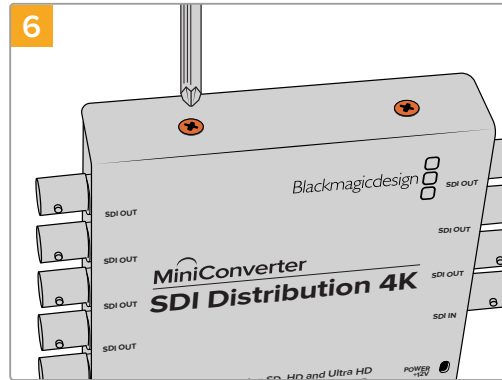
Entfernen Sie mithilfe eines T10-Torx-Schraubendrehers die vier Schrauben, mit denen die Leiterplatte mit dem Rahmen des Mini Converter SDI Distribution 4K verschraubt ist.



Heben Sie die Leiterplatte vorsichtig aus dem Rahmen, um an den USB-Anschluss zu gelangen.



Schließen Sie Ihren Mini Converter SDI Distribution 4K ans Stromnetz an und koppeln Sie ihn über ein USB-Kabel an Ihren Computer. Aktualisieren Sie die Produktsoftware auf dieselbe Weise, wie bei anderen Mini Converters.



Wiederholen Sie die Schritte 1–4 in umgekehrter Reihenfolge, um den Mini Converter SDI Distribution 4K wieder zusammenzusetzen.

**HINWEIS** Achten Sie beim Entfernen der Leiterplatte darauf, dass Sie ausschließlich die Kanten des Mini Converter SDI Distribution 4K berühren, um unbeabsichtigte Kurzschlüsse interner Komponenten zu vermeiden.

## Einstellungen ändern

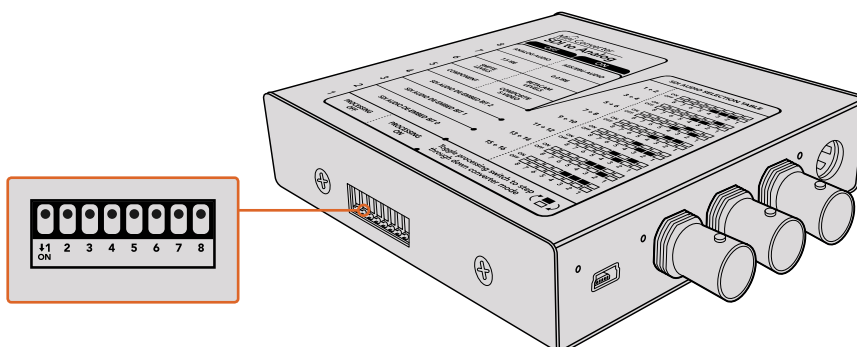
Unterstützt Ihr Blackmagic Converter Modell Einstellungsänderungen, können Sie diese auf zwei Arten vornehmen. Sie können die am Converter seitlich angebrachten Switches (Schalter) oder das Blackmagic Converters Setup Dienstprogramm verwenden, um Ihre Einstellungen zu ändern. Über das Dienstprogramm werden auch Einstellungen geändert, die nicht mit den Switches möglich sind, darunter Analogvideo und Audiopegel.

### Einstellungen über die Switches ändern

Viele der Blackmagic Converter Modelle haben integrierte Switches (Schalter).

Um eine Einstellungen zu ändern, legen Sie den Switch einfach mit einer Stiftspitze um. Damit werden die Switches ein- oder ausgeschaltet. Mit acht Switches erhalten Sie viele Kombinationen und können gezielt Ihre benötigten Konvertierungseinstellungen vorgeben.

Ein Einstellungsdiagramm für die Switches ist am Boden Ihres Converters abgedruckt. Stellen Sie sicher, dass Ihre Switch-Einstellungen mit der Legende übereinstimmen, indem Sie die Switch-Reihenfolge von 1 bis 8 von links nach rechts beachten.

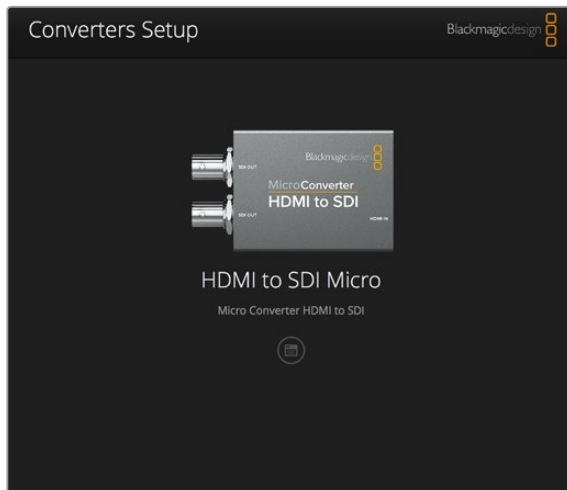


Ändern Sie Einstellungen durch Umlegen der Switches mit einem Stift

Eine ausführliche Beschreibung der Switches und ihrer Einstellungen finden Sie im Abschnitt des jeweiligen Konvertermodells in diesem Handbuch. Obwohl die Switch-Einstellungen als Diagramm am Boden Ihres Konverters aufgedruckt sind, empfiehlt es sich, in der aktuellsten Version dieses Handbuchs nach der neuesten Version zu schauen. Künftige Updates beinhalten nämlich ggf. neue Features und neue Einstellungen. Die aktuellste Version steht im Blackmagic Design Support-Center unter [www.blackmagicdesign.com/de/support](http://www.blackmagicdesign.com/de/support) zum Download bereit.

## Einstellungen mit Blackmagic Converters Setup ändern

Ist Blackmagic Converters Setup erfolgreich auf Ihrem Computer installiert, verbinden Sie das Setup-Dienstprogramm mit Ihrem Blackmagic Converter via USB.



Mit dem Blackmagic Converters Setup Dienstprogramm aktualisieren Sie die Konverter-Produktsoftware und ändern Einstellungen mit einem Computer unter Mac OS X und Windows

Wenn Sie das Programm starten, sehen Sie zunächst die Startseite „Home“. Wenn Sie mehrere Konverter an Ihren Computer angeschlossen haben, klicken Sie auf die Pfeilsymbole rechts und links auf der Blackmagic Converters Setup Startseite, um einen Konverter gezielt auszuwählen.

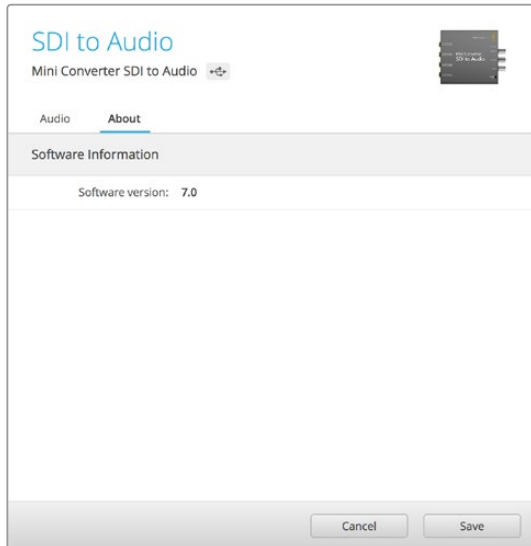
Um Einstellungen zu ändern, klicken Sie auf das Einstellungssymbol unterhalb der Abbildung Ihres Blackmagic Converters. Justierungen werden sofort auf Ihrem Blackmagic Converter gespeichert. D. h. nach einem Stromausfall werden Ihre Einstellungen retabliert, sobald die Stromversorgung wiederhergestellt wird.

Die meisten Einstellungen werden anhand der Switches konfiguriert. Einige Einstellungen wie Analogvideo und Audiopegel sind jedoch ausschließlich mit dem Dienstprogramm möglich.

**TIPP** Teranex Mini Converter sind 12G-SDI-Konverter, die noch mehr Videoformate bis einschließlich 4K DCI 60p unterstützen. Informationen zum Einsatz der Teranex Mini Converter und wie Sie Einstellungen mithilfe des Blackmagic Teranex Setup Dienstprogramms ändern, finden Sie im Teranex Mini Converter Handbuch. Die aktuellste Version steht im Blackmagic Design Support Center unter [www.blackmagicdesign.com/de/support](http://www.blackmagicdesign.com/de/support) zum Download bereit.

## Der Reiter „About“

Der Reiter „About“ in Blackmagic Converters Setup ist bei allen Konvertermodellen zu sehen. Mit den Einstellungen in diesem Reiter benennen Sie Ihren Blackmagic Converter. Klicken Sie dazu auf das Textfeld „Name“ und geben Sie Ihre gewünschte Konverterbezeichnung ein. Klicken Sie auf „Save“ (Speichern), um die Änderung zu bestätigen.



Der Reiter „About“ in Blackmagic Converters Setup dient der Benennung Ihres Blackmagic Converters. Hier können Sie auch die Versionsnummer Ihres Setup-Dienstprogramms nachsehen

Im Menü „Software-Information“ unter dem Reiter „About“ wird angegeben, welche Softwareversion Ihr Blackmagic Converter betreibt. Wenn die Produktsoftware Ihres Converters älter ist als die aktuell in Ihrem Blackmagic Converters Setup enthaltene Version, erscheint an dieser Stelle ein Update-Button, über den Sie die Software Ihres Converters aktualisieren können.

## Blackmagic Konverterserien

Blackmagic Converter bieten Konvertierungslösungen für alle Einsatzbedingungen. Mini Converter sind robust und leicht und damit perfekt für die Installation in Videoequipment oder -wannen geeignet. Battery Converter sind noch widerstandsfähiger. Ihr integrierter wiederaufladbarer Akku sorgt für eine interne Stromversorgung und macht sie ortsunabhängig. Die winzigen Blackmagic Micro Converter konvertieren SDI nach HDMI und HDMI nach SDI. Sie werden per USB mit Strom versorgt und lassen sich an Bildschirme und Laptops anschließen.

Auf den folgenden Seiten finden Sie Informationen zu den unterschiedlichen Blackmagic Converter Modellen mit den jeweiligen Einstellungen für Switches und die Setup-Software.

## Teranex Mini Converters

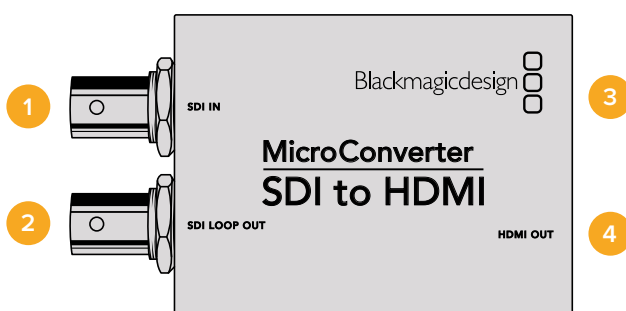
Blackmagic Teranex Mini Converter sind 12G-SDI-Konverter und unterstützen Videoformate bis zu 4K DCI 60p. Diese Konverter lassen sich mit einem optionalen Teranex Mini Smart Panel steuern, das über einen LCD, Tasten und einen Drehregler verfügt und per Ethernet mit Strom versorgt werden kann. Weitere Informationen zu den Teranex Mini Convertern und wie sie mit dem Blackmagic Teranex Setup Dienstprogramm gesteuert werden, finden Sie im Teranex Mini Converter Handbuch. Dies können Sie im Support-Center der Blackmagic Design Website unter [www.blackmagicdesign.com/de/support](http://www.blackmagicdesign.com/de/support) herunterladen.



# Blackmagic Micro Converters

## Micro Converter SDI to HDMI

Mit dem Micro Converter SDI to HDMI koppeln Sie HDMI-Monitore und Videoprojektoren aus einem breiten Angebotsspektrum an SDI-basiertes Equipment. Ihr Micro Converter SDI to HDMI erkennt SD, HD und 3G-SDI automatisch und konvertiert nach HDMI mit eingebettetem Audio. Der winzige broadcasttaugliche Blackmagic Micro Converter mit widerstandsfähigem Aluminiumgehäuse ermöglicht die Stromversorgung über ein gängiges USB-Kabel, entweder über Ihren Laptop oder den USB-Anschluss an Ihrem Fernsehgerät. Micro-USB-Kabel werden häufig dazu benutzt, Mobiltelefone mit Ladegeräten bzw. Laptops zu verbinden. Und mit diesem Kabel lässt sich auch Ihr Konverter mit Strom versorgen. Wenn der USB-Stecker an Ihrem Kabel passt, können Sie die passende Ausführung in den meisten Elektronikfachgeschäften kaufen.



## Anschlüsse

- 1 SDI IN**  
Primärer BNC-Verbinder für SDI-Eingaben.
- 2 SDI LOOP**  
Durchschleifausgang für eingehende SDI-Videosignale über den BNC-Verbinder.
- 3 MICRO USB/POWER**  
Liefert Strom über den mitgelieferten Adapter oder jedes beliebige Gerät, das 5-Volt-Strom über ein übliches USB-zu-Micro-USB-Kabel bereitstellt, wie bspw. Laptops oder Fernseher. Ermöglicht die Verbindung zur Blackmagic Converters Setup Software über Ihren Mac-OS-X- oder Windows-Computer.
- 4 HDMI OUT**  
HDMI Typ A Videoausgang.

## Blackmagic Converters Setup Einstellungen

Mit dem Blackmagic Converters Setup Dienstprogramm werden Einstellungen geändert und die Konvertersoftware aktualisiert. Greifen Sie auf diese Einstellungen jeweils über die Reiter „Video“ und „About“ (Info) zu.

Näheres über den Reiter „About“ (Info) finden Sie im Abschnitt „Einstellungen ändern“ in diesem Handbuch.

Der „Video“-Reiter für den Micro Converter SDI to HDMI weist folgende Einstellungen auf.

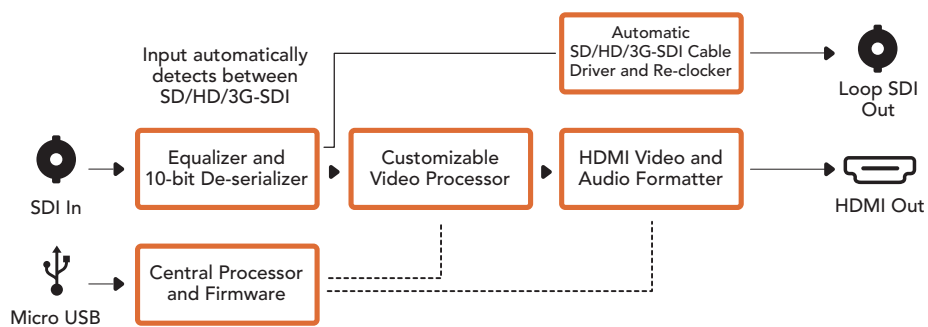


Das Kontrollkästchen „Clip video output to legal levels“ ist standardmäßig aktiviert. Diese Einstellung gewährleistet, dass Ihre HDMI-Ausgabe eine korrekte Repräsentation der SDI-Eingabe ist

### „Processing“-Menü

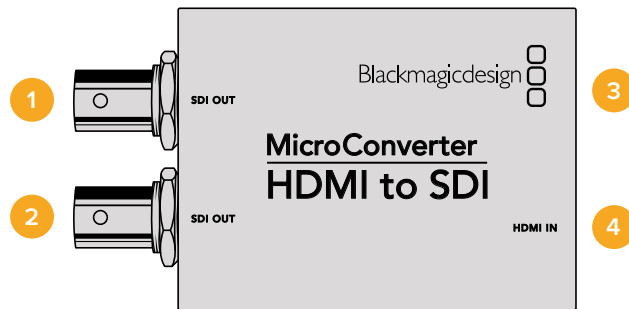
Das Kontrollkästchen „Clip video output to legal levels“ regelt das Abschneiden von Übersteuerungen der SDI-Eingabe, damit Ihre HDMI-Signale im zulässigen Pegelbereich bleiben. Es sollte standardmäßig aktiviert sein.

### Micro Converter SDI to HDMI Blockschaltbild



### Micro Converter HDMI to SDI

Mit dem Micro Converter HDMI to SDI können Sie HDMI-Ausgaben von Geräten wie HDV-Kameras und Spielekonsolen nach SDI konvertieren. Dies gestattet die Übermittlung von Videosignalen von HDMI über SDI mit SDI-Kabeln maximaler Länge. Sie können HDMI-kompatible Computer sogar mit SDI-Ausgängen versehen. Der winzige broadcasttaugliche Blackmagic Micro Converter mit widerstandsfähigem Aluminiumgehäuse ermöglicht die Stromversorgung über ein gängiges USB-Kabel, entweder über Ihren Laptop oder den USB-Anschluss an Ihrem Fernsehgerät. Micro-USB-Kabel werden häufig dazu benutzt, Mobiltelefone mit Ladegeräten bzw. Laptops zu verbinden. Und mit diesem Kabel lässt sich auch Ihr Micro Converter mit Strom versorgen. Wenn der USB-Stecker an Ihrem Kabel nicht passt, können Sie die passende Ausführung in den meisten Elektronikfachgeschäften kaufen.



## Anschlüsse

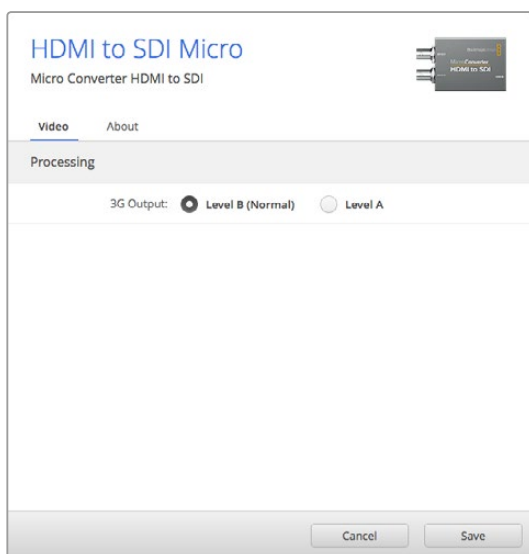
- 1 SDI OUT**  
BNC-Buchse für ausgehende SDI-Videosignale.
- 2 SDI OUT**  
Sekundärer SDI-Ausgang.
- 3 MICRO USB/POWER**  
Liefert Strom über den mitgelieferten Adapter oder jedes beliebige Gerät, das 5-Volt-Strom über ein übliches USB-zu-Micro-USB-Kabel bereitstellt, wie bspw. Laptops oder Fernseher. Ermöglicht die Verbindung zur Blackmagic Converters Setup Software über Ihren Mac-OS-X- oder Windows-Computer, um die Produktsoftware Ihres Micro Converters zu aktualisieren.
- 4 HDMI IN**  
HDMI Typ A Videoeingang.

## Blackmagic Converters Setup Einstellungen

Mit dem Blackmagic Converters Setup Dienstprogramm werden Einstellungen geändert und die Software Ihres Micro Converters aktualisiert. Greifen Sie auf diese Einstellungen jeweils über die Reiter „Video“ und „About“ (Info) zu.

Näheres über den Reiter „About“ (Info) finden Sie im Abschnitt „Einstellungen ändern“ in diesem Handbuch.

Der „Video“-Reiter für den Micro Converter HDMI to SDI weist folgende Einstellungen auf.

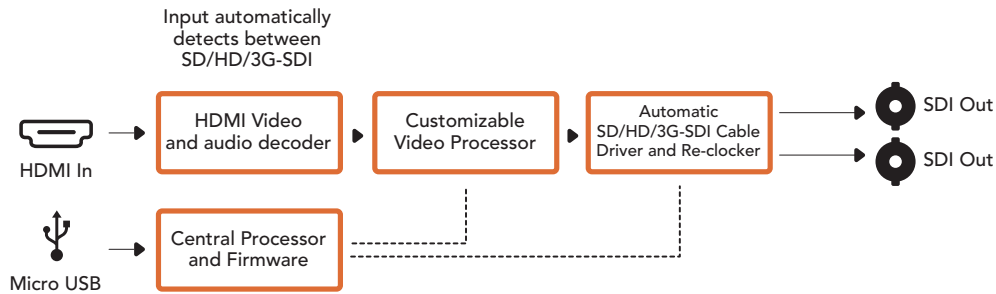


Über den „Video“-Reiter in Blackmagic Converters Setup schalten Sie zwischen SDI Level A und Level B hin und her

## „Processing“-Menü

Im Menü „3G Output“ wählen Sie zwischen Level A oder Level B 3G-SDI. Über diese Einstellung können Sie den 3G-SDI-Ausgabestandard ändern, um die Kompatibilität mit Equipment zu gewährleisten, das lediglich Level-A- oder Level-B-3G-SDI-Video empfangen kann. Level B ist die Standardeinstellung.

## Micro Converter HDMI to SDI Blockschaltbild



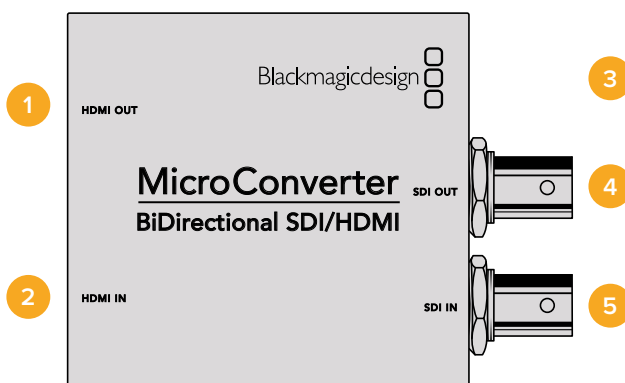
## Micro Converter BiDirectional SDI/HDMI

Der Micro Converter BiDirectional SDI/HDMI konvertiert SD- und HD-Video von HDMI nach SDI sowie SDI nach HDMI, beides mit eingebettetem Audio und in beide Richtungen gleichzeitig. Beispiel: Sie können die HDMI-Ausgabe von einer HDV-Kamera für längere Kabelwege nach SDI konvertieren, während Sie gleichzeitig einen SDI-Return-Feed nach HDMI wandeln, um diesen an einen HDMI-Fernseher auszugeben.

Wenn Sie nur eine Eingabe an den Konverter koppeln, fungieren der SDI- und der HDMI-Ausgang als Durchschleifausgänge. Darüber können Sie das Eingangssignal an andere HDMI- und SDI-Geräte durchschleifen.

Ihr Micro Converter BiDirectional SDI/HDMI erkennt das SD/HD/3G-SDI-Eingabeformat automatisch und stellt das entsprechende Ausgabeformat ein.

Dieser winzige Konverter in Broadcastqualität wird durch ein robustes Aluminiumgehäuse geschützt. Den Strom liefert eine USB-Verbindung. Das heißt Sie können Ihren Blackmagic Micro Converter BiDirectional SDI/HDMI über den USB-Anschluss Ihres Laptops bzw. Fernsehers und ein handelsübliches Micro-USB-Kabel betreiben. Micro-USB-Kabel werden häufig dazu benutzt, Mobiltelefone mit Ladegeräten bzw. Laptops zu verbinden. Und mit diesem Kabel lässt sich auch Ihr Konverter mit Strom versorgen. Wenn der USB-Stecker an Ihrem Kabel nicht passt, können Sie die passende Ausführung in den meisten Elektronikfachgeschäften kaufen.



## Anschlüsse

### 1 HDMI OUT

HDMI-Videoausgang Typ A.

### 2 HDMI IN

HDMI-Videoeingang Typ A.

### 3 MICRO USB/POWER

Liefert Strom über den mitgelieferten Adapter oder jedes beliebige Gerät, das 5-Volt-Strom über ein übliches USB-zu-Micro-USB-Kabel bereitstellt, wie bspw. Laptops oder Fernseher. Ermöglicht die Verbindung zur Blackmagic Converters Setup Software über Ihren Mac-OS-X- oder Windows-Computer.

### 4 SDI OUT

BNC-Buchse für ausgehende SDI-Videosignale.

### 5 SDI IN

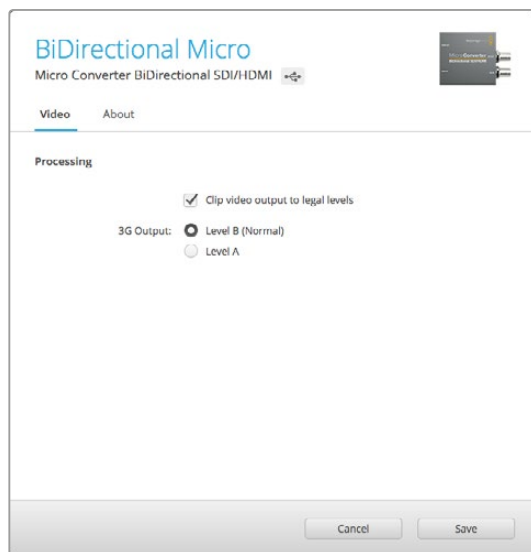
BNC-Buchse für eingehende SDI-Videosignale.

## Blackmagic Converters Setup Einstellungen

Mit dem Blackmagic Converters Setup Dienstprogramm werden Einstellungen geändert und die Konvertersoftware aktualisiert. Greifen Sie auf diese Einstellungen jeweils über die Reiter „Video“ und „About“ (Info) zu.

Näheres über den Tab „About“ finden Sie im Abschnitt „Einstellungen ändern“ in diesem Handbuch.

Der „Video“-Tab für den Micro Converter BiDirectional SDI/HDMI weist folgende Einstellungen auf.



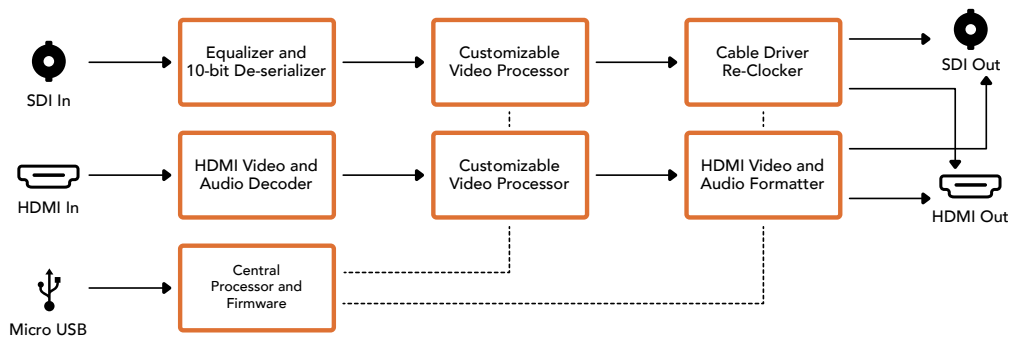
Das Kontrollkästchen „Clip video output to legal levels“ ist standardmäßig aktiviert. Diese Einstellung gewährleistet, dass Ihre HDMI-Ausgabe eine korrekte Repräsentation der SDI-Eingabe ist.

### „Processing“-Menü

Das Kontrollkästchen „Clip video output to legal levels“ regelt das Abschneiden von Übersteuerungen der SDI-Eingabe, damit Ihre HDMI-Signale im zulässigen Pegelbereich bleiben. Es sollte standardmäßig aktiviert sein.

In der Einstellung „3G Output“ wählen Sie zwischen Level A oder Level B 3G-SDI. Dies ändert den 3G-SDI-Ausgabestandard, um die Kompatibilität mit Equipment zu gewährleisten, das lediglich Level-A- oder Level-B-3G-SDI-Video empfangen kann. Level B ist die Standardeinstellung.

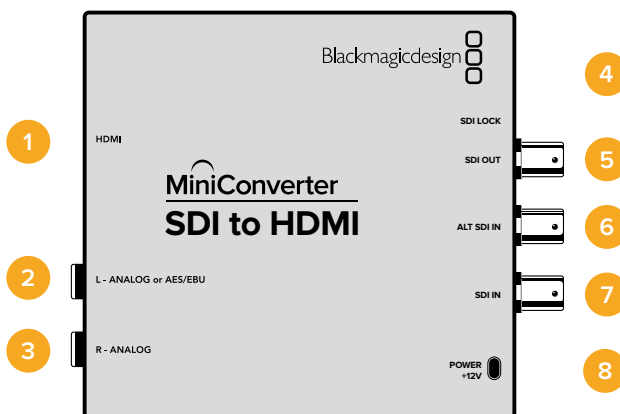
## Micro Converter BiDirectional SDI/HDMI Blockschaltbild



# Blackmagic Mini Converters

## Mini Converter SDI to HDMI

Mit dem Mini Converter SDI to HDMI koppeln Sie HDMI-Monitore und Videoprojektoren aus einem breiten Angebotsspektrum an SDI-Equipment. Ihr Mini Converter SDI to HDMI erkennt SD-, HD- und 3G-SDI-Signale automatisch und konvertiert diese in HDMI mit eingebettetem Audio sowie symmetrische AES/EBU- oder Analogaudio-Ausgaben.



## Anschlüsse

- 1 HDMI**  
HDMI Typ A Videoausgang.
- 2 L - ANALOG or AES/EBU**  
1/4-Zoll-Klinkenbuchse für den linken Kanal für symmetrische Analogaudio- oder digitale AES/EBU-Audioausgaben.
- 3 R - ANALOG**  
1/4-Zoll-Klinkenbuchse für den rechten Kanal für symmetrische Analogaudio-Ausgaben.
- 4 MINI-B USB PORT**  
Ermöglicht die Verbindung mit der Setup-Software des Konverters über einen Mac-OS-X- oder Windows-Computer. Die Produktsoftware der Mini Converter wird ebenfalls über den USB-Port aktualisiert.
- 5 SDI OUT**  
BNC-Verbinder für ausgehende SDI-Videosignale.

- 6 ALT SDI IN**  
Der redundante SDI-Eingang dient als optionales Backup.
- 7 SDI IN**  
Primärer SDI-Eingang.
- 8 POWER +12V**  
Strombuchse für 12V-Netzteil.

## Switches

### Switch 8 – ANALOG AUDIO, AES/EBU AUDIO

Stellen Sie Switch 8 auf OFF, um symmetrisches Analogaudio auszuwählen oder auf ON, um digitales AES/EBU-Audio auszugeben.

### Switch 4 – SDI AUDIO DE-EMBED BIT 2

Switches 4, 3 und 2 liefern gesammelt acht ON/OFF-Kombinationen. Mit acht verschiedenen Kombinationen lassen sich acht unabhängige Audiokanal-Paare aus Ihrer SDI-Eingabe herauslösen und in HDMI, Analog- oder AES/EBU-Audio ausgeben.

### Switch 3 – SDI AUDIO DE-EMBED BIT 1

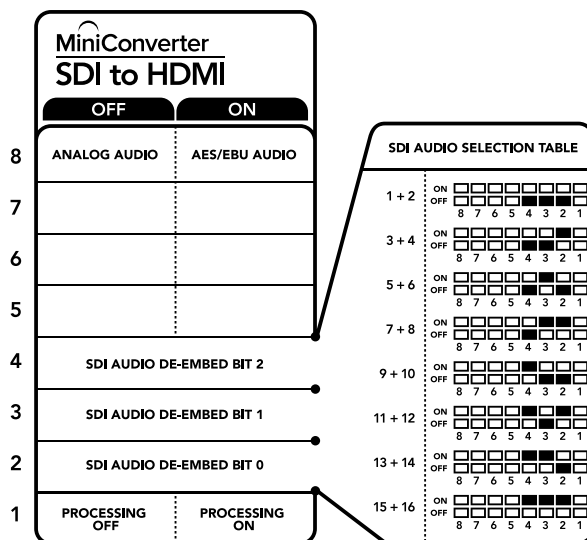
Siehe Erklärung für Switch 4.

### Switch 2 – SDI AUDIO DE-EMBED BIT 0

Siehe Erklärung für Switch 4.

### Switch 1 – PROCESSING OFF, PROCESSING ON

Dieser Switch wird nicht verwendet.



Die Switch-Legende am Boden Ihres Converters gibt Ihnen alle erforderlichen Informationen, um die Umwandlungseinstellungen zu verändern

### Beispiel für Switch-Einstellungen

Experimentieren Sie mit Ihren Switches: Stellen Sie für Ihren Blackmagic Mini Converter Switches 8, 4, 3 und 2 auf OFF, um SDI-Audiokanäle 1 und 2 herauszulösen und als Analog auszugeben.

## Auswahltabelle für SDI-Audio

Audiokanäle	Switch 4	Switch 3	Switch 2	Schaltdiagramm
1 und 2	OFF	OFF	OFF	
3 und 4	OFF	OFF	ON	
5 und 6	OFF	ON	OFF	
7 und 8	OFF	ON	ON	
9 und 10	ON	OFF	OFF	
11 und 12	ON	OFF	ON	
13 und 14	ON	ON	OFF	
15 und 16	ON	ON	ON	

## Blackmagic Converters Setup Einstellungen

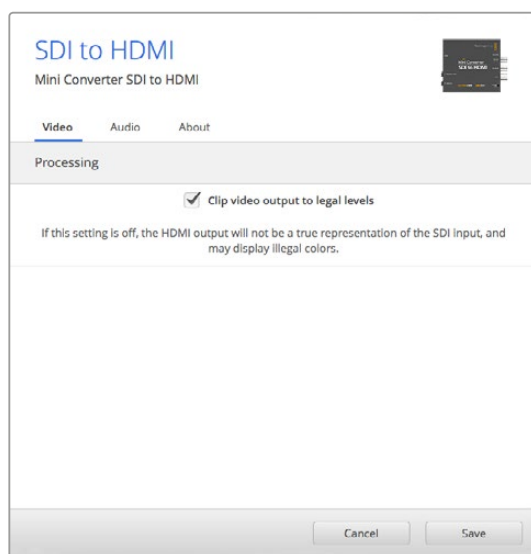
Mit dem Blackmagic Converters Setup Dienstprogramm können Einstellungen geändert und die Mini Converter Software aktualisiert werden. Greifen Sie auf diese Einstellungen jeweils über die Reiter „Video“, „Audio“ und „About“ (Info) zu.

Näheres über den Reiter „About“ (Info) finden Sie im Abschnitt „Einstellungen ändern“ in diesem Handbuch.

Der „Video“-Reiter für den Mini Converter SDI to HDMI weist folgende Einstellungen auf.

### „Processing“-Menü

Das Kontrollkästchen „Clip video output to legal levels“ regelt das Abschneiden von Übersteuerungen der SDI-Eingabe, damit Ihre HDMI-Signale im zulässigen Pegelbereich bleiben. Es sollte standardmäßig aktiviert sein.



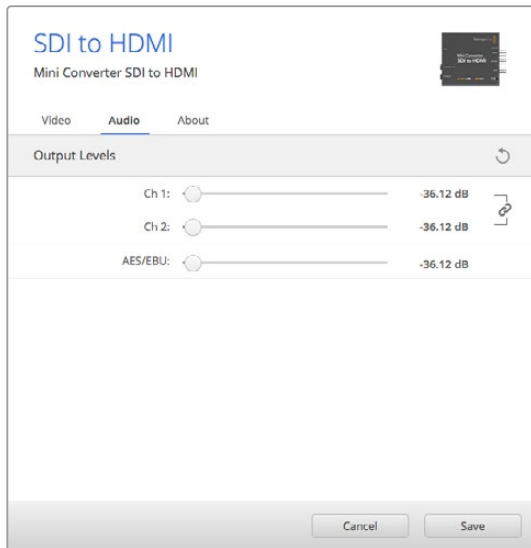
Das Kontrollkästchen „Clip video to legal levels“ ist standardmäßig aktiviert. So bleiben HDMI-Videoausgaben verlässlich im zulässigen Pegelbereich



Der „Audio“-Reiter für den Mini Converter SDI to HDMI weist folgende Einstellungen auf.

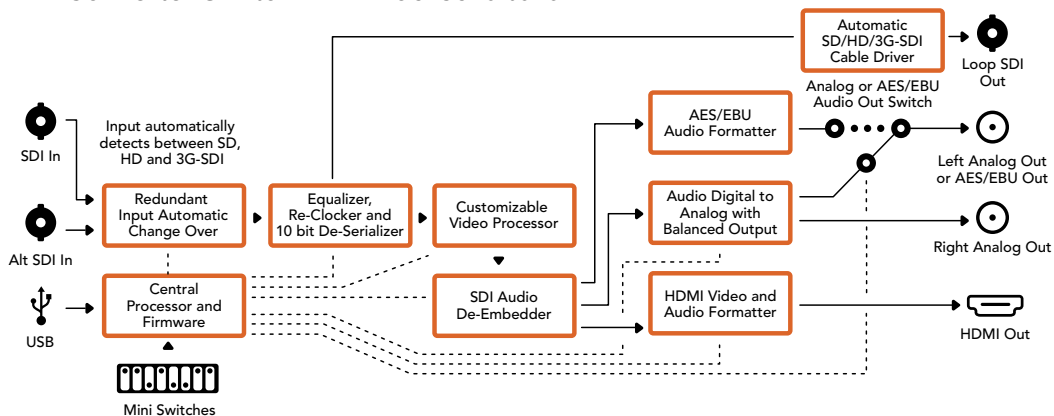
### „Output Levels“-Menü

Mit diesem Menü regulieren Sie „Gain“-Einstellungen (Verstärkung) für Ihre Audioausgabe. Sie können die Audiopegel für jeden Kanal einzeln oder, indem Sie das Link-Symbol neben den Schiebereglern aktivieren, auch gesammelt justieren. Klicken Sie auf das Reset-Symbol oben im „Output Levels“-Menü, um die Audiopegel auf 0 dB zurückzusetzen.



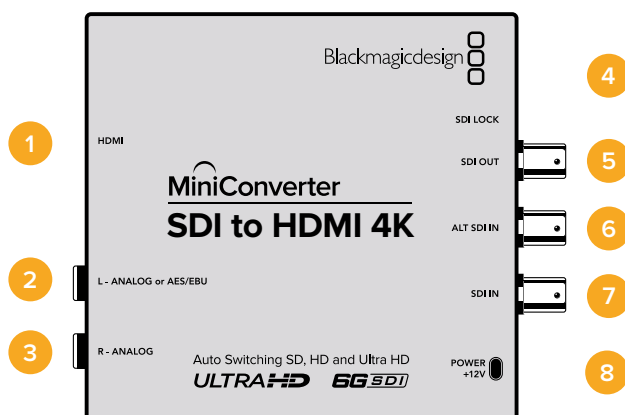
Audiopegel werden in Blackmagic Converters Setup über den „Audio“-Reiter angepasst

### Mini Converter SDI to HDMI Blockschaltbild



### Mini Converter SDI to HDMI 4K

Mit dem Mini Converter SDI to HDMI 4K und dem Modell SDI to HDMI 4K Heavy Duty koppeln Sie HDMI-Monitore und Videoprojektoren aus einem breiten Angebotsspektrum an SDI-Equipment. Ihr Mini Converter SDI to HDMI 4K erkennt SD-, HD-, 3G und 6G-SDI-Signale automatisch und konvertiert diese in HDMI mit eingebettetem Audio sowie in symmetrische AES/EBU- oder Analogaudio-Ausgaben. Mit der Funktion HDMI-Instant-Lock sperren Sie die HDMI-Ausgabe, damit der Wechsel von Quellen unter Verwendung des gleichen Formats sauber und pannenfrei vonstatten geht. Wenn Ihr Converter einen an den HDMI-Ausgang gekoppelten HD-Monitor oder Fernseher erkennt, an seinen SDI-Eingang aber ein Ultra-HD-Gerät angeschlossen ist, nimmt er automatisch eine Abwärtskonvertierung der Ultra-HD-Quelle vor. So können Sie diese Ultra-HD-Quelle auf einem HD-Monitor betrachten.



## Anschlüsse

- 1 HDMI**  
HDMI Typ A Videoausgang.
- 2 L - ANALOG or AES/EBU**  
1/4-Zoll-Klinkenbuchse für den linken Kanal für symmetrische Analogaudio- oder digitale AES/EBU-Audioausgaben.
- 3 R - ANALOG**  
1/4-Zoll-Klinkenbuchse für den rechten Kanal für symmetrische Analogaudio-Ausgaben.
- 4 MINI-B USB PORT**  
Ermöglicht die Verbindung mit der Setup-Software des Konverters über einen Mac-OS-X- oder Windows-Computer. Die Produktsoftware der Mini Converter wird ebenfalls über den USB-Port aktualisiert.
- 5 SDI OUT**  
BNC-Buchse für ausgehende SDI-Videosignale.
- 6 ALT SDI IN**  
Der redundante SDI-Eingang dient als optionales Backup.
- 7 SDI IN**  
Primärer SDI-Eingang.
- 8 POWER +12V**  
Strombuchse für 12V-Netzteil.

## Switches

**TIPP** Die Switches des Mini Converter Heavy Duty Modells sind mit einer Gummiabdeckung versehen. Heben Sie einfach die Abdeckung ab, um zu den Switches zu gelangen.

Die Switches am Mini Converter SDI to HDMI 4K ermöglichen folgende Einstellungen:

### Switch 8 – ANALOG AUDIO, AES/EBU AUDIO

Stellen Sie Switch 8 auf OFF, um symmetrisches Analogaudio auszuwählen oder auf ON, um digitales AES/EBU-Audio auszugeben.

### Switch 4 – SDI AUDIO DE-EMBED BIT 2

Switches 4, 3 und 2 liefern gesammelt acht ON/OFF-Kombinationen. Mit acht verschiedenen Kombinationen lassen sich acht unabhängige Audiokanal-Paare aus Ihrer SDI-Eingabe herauslösen und in HDMI, Analog- oder AES/EBU-Audio ausgeben.

### Switch 3 – SDI AUDIO DE-EMBED BIT 1

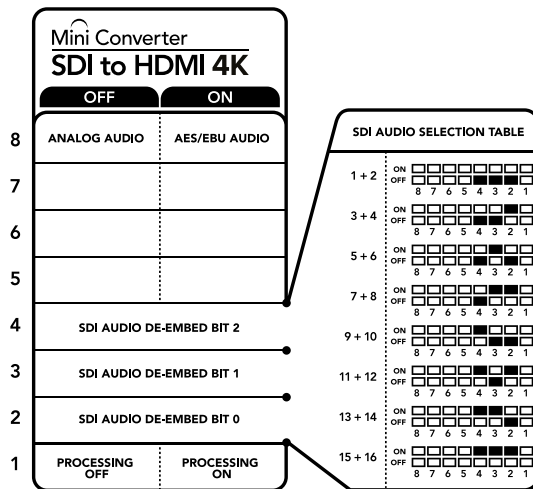
Siehe Erklärung für Switch 4.

### Switch 2 – SDI AUDIO DE-EMBED BIT 0

Siehe Erklärung für Switch 4.

### Switch 1 – PROCESSING OFF, PROCESSING ON

Dieser Switch wird nicht verwendet.



Die Switch-Legende am Boden Ihres Converters gibt Ihnen alle erforderlichen Informationen, um die Umwandlungseinstellungen zu verändern

### Beispiel für Switch-Einstellungen

Experimentieren Sie mit Ihren Switches: Stellen Sie für Ihren Blackmagic Mini Converter Switches 8, 4, 3 und 2 auf OFF, um SDI-Audiokanäle 1 und 2 herauszulösen und als Analog auszugeben.

### Auswahltabelle für SDI-Audio

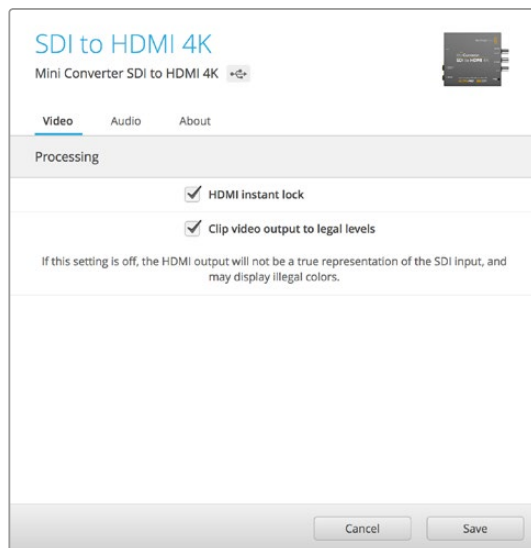
Audiokanäle	Switch 4	Switch 3	Switch 2	Schaltdiagramm
1 und 2	OFF	OFF	OFF	ON OFF <input type="checkbox"/> <input type="checkbox"/> <input type="checkbox"/> <input type="checkbox"/> <input type="checkbox"/> <input type="checkbox"/> <input type="checkbox"/> <input type="checkbox"/> 8 7 6 5 4 3 2 1
3 und 4	OFF	OFF	ON	ON OFF <input type="checkbox"/> <input type="checkbox"/> <input type="checkbox"/> <input type="checkbox"/> <input type="checkbox"/> <input type="checkbox"/> <input type="checkbox"/> <input checked="" type="checkbox"/> 8 7 6 5 4 3 2 1
5 und 6	OFF	ON	OFF	ON OFF <input type="checkbox"/> <input type="checkbox"/> <input type="checkbox"/> <input type="checkbox"/> <input checked="" type="checkbox"/> <input checked="" type="checkbox"/> <input type="checkbox"/> <input type="checkbox"/> 8 7 6 5 4 3 2 1
7 und 8	OFF	ON	ON	ON OFF <input type="checkbox"/> <input type="checkbox"/> <input type="checkbox"/> <input type="checkbox"/> <input checked="" type="checkbox"/> <input checked="" type="checkbox"/> <input checked="" type="checkbox"/> <input checked="" type="checkbox"/> 8 7 6 5 4 3 2 1
9 und 10	ON	OFF	OFF	ON OFF <input type="checkbox"/> <input type="checkbox"/> <input type="checkbox"/> <input checked="" type="checkbox"/> <input type="checkbox"/> <input type="checkbox"/> <input type="checkbox"/> <input type="checkbox"/> 8 7 6 5 4 3 2 1
11 und 12	ON	OFF	ON	ON OFF <input type="checkbox"/> <input type="checkbox"/> <input type="checkbox"/> <input checked="" type="checkbox"/> <input type="checkbox"/> <input checked="" type="checkbox"/> <input type="checkbox"/> <input type="checkbox"/> 8 7 6 5 4 3 2 1
13 und 14	ON	ON	OFF	ON OFF <input type="checkbox"/> <input type="checkbox"/> <input type="checkbox"/> <input checked="" type="checkbox"/> <input checked="" type="checkbox"/> <input type="checkbox"/> <input type="checkbox"/> <input type="checkbox"/> 8 7 6 5 4 3 2 1
15 und 16	ON	ON	ON	ON OFF <input type="checkbox"/> <input type="checkbox"/> <input type="checkbox"/> <input checked="" type="checkbox"/> <input checked="" type="checkbox"/> <input checked="" type="checkbox"/> <input checked="" type="checkbox"/> 8 7 6 5 4 3 2 1

## Blackmagic Converters Setup Einstellungen

Mit dem Blackmagic Converters Setup Dienstprogramm können Einstellungen geändert und die Mini Converter Software aktualisiert werden. Greifen Sie auf diese Einstellungen jeweils über die Reiter „Video“, „Audio“ und „About“ (Info) zu.

Näheres über den Reiter „About“ (Info) finden Sie im Abschnitt „Einstellungen ändern“ in diesem Handbuch.

Der „Video“-Reiter für den Mini Converter SDI to HDMI 4K weist folgende Einstellungen auf.



Das Kontrollkästchen „Clip video to legal levels“ ist standardmäßig aktiviert. So bleiben HDMI-Videoausgaben verlässlich im zulässigen Pegelbereich

### „Processing“-Menü

#### ▪ „HDMI Instant Lock“

Aktivieren Sie dieses Kontrollkästchen, um die Signalsicherungsfunktion HDMI-Instant-Lock zu aktivieren. Bei eingeschaltetem HDMI-Instant-Lock wird der Ausgabefluss des HDMI-Signals auch bei Quellenwechseln aufrecht erhalten. So braucht Ihr Konverter nicht auf die Signalfähigkeit des HDMI-Fernsehers oder -Monitors zu warten, um das Ausgabevideo darzustellen, da bereits ein gesichertes Signal vorhanden ist. Wichtig: Diese Funktion funktioniert nur beim Wechsel zwischen Quellen mit der gleichen Videonorm.

HDMI-Instant-Lock kann kurze Verzögerungen von Video und Ton verursachen. Wo es für Ihre konvertierte Signalausgabe keine Verzögerung geben darf, umgehen Sie HDMI-Instant-Lock, indem Sie das Kontrollkästchen deaktivieren.

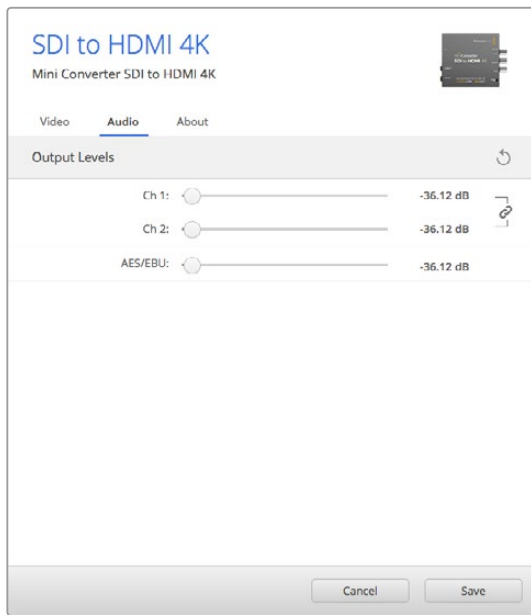
#### ▪ „Clip video output to legal levels“

Dieses Kontrollkästchen regelt das Abschneiden von Übersteuerungen der SDI-Eingabe, damit Ihre HDMI-Signale im zulässigen Pegelbereich bleiben. Es sollte standardmäßig aktiviert sein.

### „Output Levels“-Menü

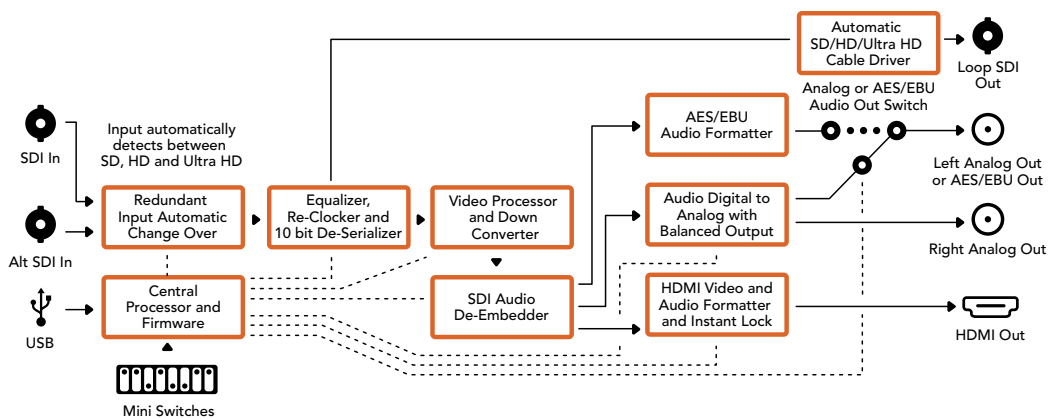
In diesem Menü lassen sich „Gain“-Einstellungen für Ihre Audioausgabe anpassen. Sie können die Audiopegel für jeden Kanal einzeln oder, indem Sie das Link-Symbol neben den Schiebereglern aktivieren, auch gesammelt justieren. Klicken Sie auf das Reset-Symbol oben im „Output Levels“-Menü, um die Audiopegel auf 0 dB zurückzusetzen.

Der „Audio“-Reiter für den Mini Converter SDI to HDMI 4K weist folgende Einstellungen auf.



Audiopegel werden in Blackmagic Converters Setup über den „Audio“-Reiter angepasst

### Mini Converter SDI to HDMI 4K Blockschaltbild



### Mini Converter SDI to HDMI 6G

Mit dem Mini Converter SDI to HDMI 6G können Sie HDMI-Monitore und Videoprojektoren aus einem breiten Angebotspektrum an SDI-basiertes Equipment anschließen. Ihr Mini Converter SDI to HDMI 6G schaltet automatisch auf die jeweilige Signalquelle in SD SDI, HD-SDI, 3G-SDI und 6G-SDI um und konvertiert eingehende SDI-Signale in HDMI mit eingebettetem Ton oder in symmetrische AES/EBU-Audio- oder Analogaudio-Ausgaben.

Mit der Funktion HDMI-Instant-Lock wird das ausgegebene HDMI-Signal festgehalten, damit der Wechsel von Quellen unter Verwendung des gleichen Formats sauber und pannenfrei vonstatten geht. Wenn Ihr Konverter einen an den HDMI-Ausgang gekoppelten HD-Monitor oder Fernseher erkennt, an seinen SDI-Eingang aber ein Ultra-HD-Gerät angeschlossen ist, nimmt er automatisch eine Abwärtskonvertierung der Ultra-HD-Quelle vor. So können Sie diese Ultra-HD-Quelle auf einem HD-Monitor betrachten.

Sie können auch 3D-LUTs hochladen, um Ihre konvertierte Ausgabe mit Optiken, Gradings und Farbprofilen zu versehen. Bei einer 3D-LUT handelt es sich um eine 33-Punkt-Hardware-Lookup-Tabelle, die für präzisere Farbmodifizierungen sorgt. Sie kann sogar Consumer-TVs akkurat kalibrieren, damit diese sich für kritische Farbkorrekturen einsetzen lassen. Eine 3D-LUT ermöglicht auch Farbraum-Konvertierungen, um auf verschiedenen Monitoren unterschiedliche Farbräume zu verwenden. Im Lieferumfang Ihres Mini Converter SDI to HDMI 6G sind zwei Standard-LUTs enthalten: eine für Farbe zu Schwarz-Weiß, die andere für den Standardfarbraum der Blackmagic Kameras zu REC 709.



## Anschlüsse

- 1 HDMI**  
HDMI Typ A Videoausgang.
- 2 L – ANALOG or AES/EBU**  
1/4-Zoll-Klinkenbuchse für den linken Kanal für symmetrische Analogaudio- oder digitale AES/EBU-Audioausgaben.
- 3 R – ANALOG**  
1/4-Zoll-Klinkenbuchse für den rechten Kanal für symmetrische Analogaudio-Ausgaben.
- 4 MINI-B USB PORT**  
Ermöglicht die Verbindung mit der Setupsoftware des Konverters über einen Mac-OS-X- oder Windows-Computer. Die Produktsoftware des Mini Converters wird ebenfalls über den USB-Port aktualisiert.
- 5 SDI OUT**  
BNC-Buchse für ausgehende SDI-Videosignale.
- 6 ALT SDI IN**  
Der redundante SDI-Eingang dient als optionales Backup.
- 7 SDI IN**  
Primärer SDI-Eingang.
- 8 POWER**  
+12V Strombuchse für 12V-Netzteil.

## Switches

Die Switches am Mini Converter SDI to HDMI 6G ermöglichen folgende Einstellungen:

### Switch 8 – ANALOG AUDIO, AES/EBU AUDIO

Stellen Sie Switch 8 auf OFF, um symmetrisches Analogaudio auszuwählen oder auf ON, um digitales AES/EBU-Audio auszugeben.

### Switch 7 – LUT OFF, LUT ON

Stellen Sie Switch 7 auf OFF, um die LUT zu deaktivieren oder auf ON, um die LUT einzuschalten.

### Switch 6 – LUT 1, LUT 2

Stellen Sie Switch 6 auf OFF, um LUT 1 auszuwählen oder auf ON, um LUT 2 auszuwählen.

### Switch 5 – LUT ON LOOP OFF, LUT ON LOOP ON

Stellen Sie Switch 5 auf OFF, um LUT ON LOOP OFF auszuschalten oder auf ON, um LUT ON LOOP ON einzuschalten.

### Switch 4 – SDI AUDIO DE-EMBED BIT 2

Switches 4, 3 und 2 liefern gruppiert acht ON/OFF-Kombinationen. Mit acht verschiedenen Kombinationen lassen sich acht unabhängige Audiokanal-Paare aus Ihrer SDI-Eingabe herauslösen und in HDMI, Analog- oder AES/EBU-Audio ausgeben.

### Switch 3 – SDI AUDIO DE-EMBED BIT 1

Siehe Erklärung für Switch 4.

### Switch 2 – SDI AUDIO DE-EMBED BIT 0

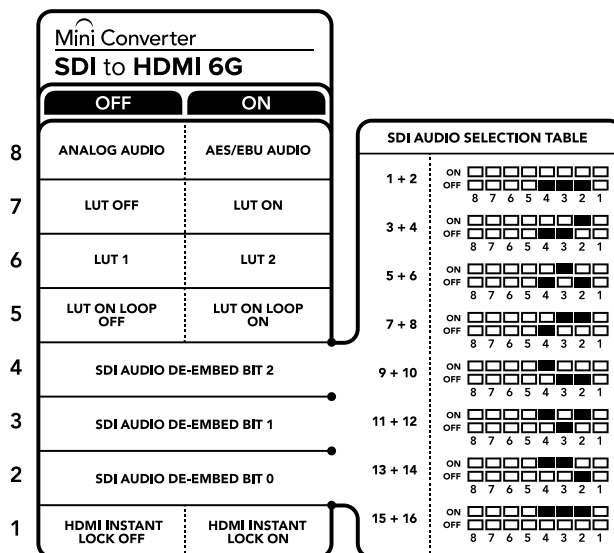
Siehe Erklärung für Switch 4.

### Switch 1 – HDMI INSTANT LOCK OFF, HDMI INSTANT LOCK ON

Stellen Sie Switch 1 auf OFF, um HDMI INSTANT LOCK OFF auszuschalten oder auf ON, um HDMI INSTANT LOCK ON einzuschalten.

Bei eingeschaltetem HDMI-Instant-Lock wird der Ausgabefluss des HDMI-Signals auch bei Quellenwechseln aufrechterhalten. Da so bereits ein gesichertes Signal vorhanden ist, braucht Ihr Konverter nicht auf die Signalbereitschaft des HDMI-Fernsehers oder -Monitors zu warten, um das Ausgabevideo darzustellen. Wichtig: Diese Funktion funktioniert nur beim Wechsel zwischen Quellen mit der gleichen Videonorm.

HDMI-Instant-Lock kann kurze Verzögerungen von Video und Ton verursachen. Wo es für Ihre konvertierte Signalausgabe keine Verzögerung geben darf, umgehen Sie HDMI-Instant-Lock, indem Sie HDMI INSTANT LOCK OFF vorgeben.



Die Switch-Legende am Boden Ihres Konverters gibt Ihnen alle erforderlichen Informationen, um die Umwandlungseinstellungen zu verändern

### Beispiel für Switch-Einstellungen

Experimentieren Sie mit den Switches: Um SDI-Audiokanäle 1 und 2 herauszulösen und als Analogton auszugeben, stellen Sie für Ihren Blackmagic Mini Converter die Switches 8, 4, 3 und 2 auf OFF.

## Auswahltabelle für SDI-Audio

Audiokanäle	Switch 4	Switch 3	Switch 2	Schaltdiagramm
1 und 2	OFF	OFF	OFF	ON OFF
3 und 4	OFF	OFF	ON	ON OFF
5 und 6	OFF	ON	OFF	ON OFF
7 und 8	OFF	ON	ON	ON OFF
9 und 10	ON	OFF	OFF	ON OFF
11 und 12	ON	OFF	ON	ON OFF
13 und 14	ON	ON	OFF	ON OFF
15 und 16	ON	ON	ON	ON OFF

## Blackmagic Converters Setup Einstellungen

Mit dem Blackmagic Converters Setup Dienstprogramm können Einstellungen geändert und die Mini Converter Software aktualisiert werden. Greifen Sie auf diese Einstellungen jeweils über die Reiter „Video“, „Audio“ und „About“ (Info) zu. Näheres über den Reiter „About“ finden Sie im Abschnitt „Einstellungen ändern“ in diesem Handbuch.

Der „Video“-Reiter für den Mini Converter SDI to HDMI 6G weist folgende Einstellungen auf.



Über das standardmäßig aktivierte Kontrollkästchen „Clip video output to legal levels“ wird vorgegeben, dass übersteuerte Signalanteile abgeschnitten werden. Dies gewährleistet eine HDMI-Signalausgabe im zulässigen Pegelbereich



## „Processing“-Menü

### ▪ **33-Punkt-3D-LUT**

Ihr Mini Converter SDI to HDMI 6G unterstützt LUT-Dateien im .cube-Format. Diese können mit DaVinci Resolve oder anderen Farbkorrektursoftwares erstellt werden, die .cube-Dateien exportieren.

Sie können zwei separate LUTs laden, indem Sie für jeden LUT-Slot auf „Load“ klicken. Wählen Sie dann die gewünschte .cube-Datei von Ihrem Computer aus und klicken Sie auf OK. Bestätigen Sie Ihre Einstellungen durch Klicken auf „Save“. Der jeweilige Dateiname erscheint neben jedem „Load“-Button. So wissen Sie immer genau, welche LUT für LUT 1 oder LUT 2 verwendet wird.

### ▪ **Was ist eine 3D-LUT?**

Eine 3D-LUT oder 3D-Lookup-Tabelle enthält eine Tabelle mit Informationen, die den in einem dreidimensionalen Koordinatensystem (Würfel) dargestellten Farbraum eines Videos anhand neuer Farbwerte verändert.

Dieser Farbwürfel enthält alle Variationen einer jeden Grundfarbe und ist in räumlichen Dimensionen entlang der X-, Y- und Z-Achsen definiert. Das bedeutet, dass die RGB-Kanäle der SDI-Videoeingabe in der HDMI-Videoausgabe mit einer beliebigen anderen RGB-Ausgabefarbe belegt werden können. Es handelt sich hierbei um ein sehr wirksames Tool, da einer jeden Farbe eine beliebige andere Farbe zugeordnet werden kann. Das ermöglicht sehr präzise Farbanpassungen, um bspw. Displays zu kalibrieren oder um Log-Gamma-Kurven zu laden, wenn Sie am Set mit unterschiedlichen RAW-Kameradateien arbeiten und dabei lineares Gamma sehen wollen.

Wie wirksam 3D-LUTs sein können, zeigt eine der Standard-LUTs, die Ihre Videoeingabe nach Schwarz-Weiß konvertiert. Hierbei wird deutlich, dass alle RGB-Farben der Eingabe anhand der 3D-LUT über den HDMI-Ausgang mit schwarzen und weißen RGB-Ausgabewerten belegt werden. Kreieren Sie Ihre eigenen 3D-LUTs und laden Sie diese über die Admin-Software hoch. Mit DaVinci Resolve ist es sogar möglich, Farbkorrektureinstellungen in 3D-LUTs zu konvertieren und sie auf Ihren Mini Converter SDI to HDMI 6G hochzuladen. Sie können die 3D-LUT über den SDI-Video-Durchschleifausgang ausgeben und Ihren Mini Converter so als dedizierten 3D-LUT-Farbprozessor verwenden. Das geht sogar dann, wenn Sie den HDMI-Ausgang nicht verwenden.

Weitere Informationen zum Erstellen einer .cube-Datei für eine 3D-LUT finden Sie im englischsprachigen DaVinci Resolve Handbuch, das Sie von der Blackmagic Design Website unter [www.blackmagicdesign.com/de/support](http://www.blackmagicdesign.com/de/support) herunterladen können.

### ▪ **„Clip video output to legal levels“**

Dieses Kontrollkästchen regelt das Abschneiden übersteuerter Signalanteile der SDI-Eingabe, um HDMI-Signale im zulässigen Pegelbereich zu halten. Es sollte standardmäßig aktiviert sein.

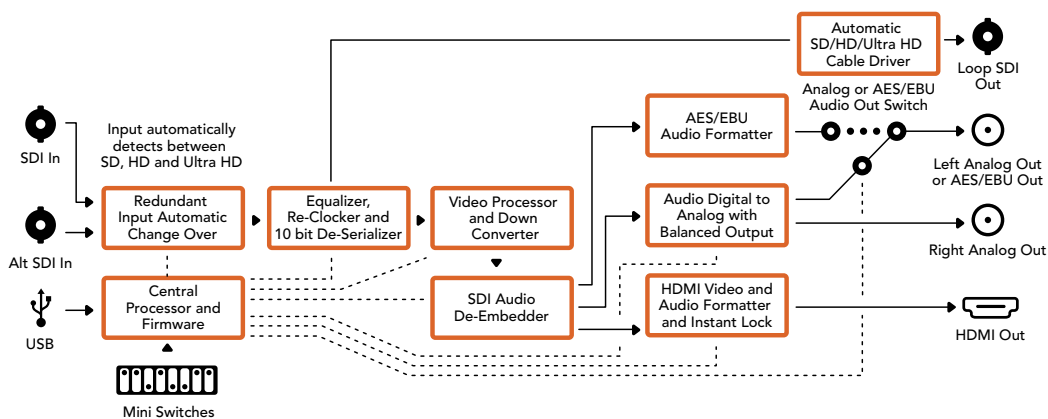
## „Output Levels“-Menü

Mit diesem Menü regulieren Sie über „Gain“ die Verstärkungseinstellung für Ihre Audioausgabe. Sie können die Audiopegel für jeden Kanal einzeln oder, indem Sie das Link-Symbol neben den Schieberegler aktivieren, auch gesammelt justieren. Klicken Sie auf das Reset-Symbol oben im „Output Levels“-Menü, um die Audiopegel auf 0 dB zurückzusetzen. Der „Audio“-Reiter für den Mini Converter SDI to HDMI 6G weist folgende Einstellungen auf.



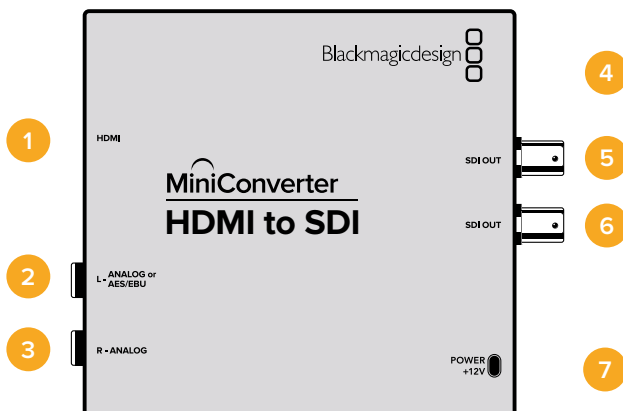
Audiopegel werden in Blackmagic Converters Setup über den „Audio“-Reiter angepasst

### Mini Converter SDI to HDMI 6G Blockschaltbild



### Mini Converter HDMI to SDI

Ihr Mini Converter HDMI to SDI konvertiert HDMI-Ausgaben von Geräten wie HDV-Kameras und Spielekonsolen in SDI aus. Zusätzlich können Sie Audio wahlweise von HDMI, AES/EBU oder symmetrischen Analog-Audioeingängen einbetten. Dies gestattet die Übermittlung von Videosignalen von HDMI über SDI mit SDI-Kabeln maximaler Länge. Sie können HDMI-kompatible Computer sogar mit SDI-Ausgängen versehen. Die Abwärtskonvertierung von HD nach SD ist ebenfalls möglich.



## Anschlüsse

- 1 HDMI**  
HDMI Typ A Videoeingang.
- 2 L - ANALOG or AES/EBU**  
1/4-Zoll-Klinkenbuchse für den linken Kanal für symmetrische Analogaudio- oder digitale AES/EBU-Audioeingaben.
- 3 R - ANALOG**  
1/4-Zoll-Klinkenbuchse für den rechten Kanal für symmetrische Analogaudio-Eingaben.
- 4 MINI-B USB PORT**  
Ermöglicht die Verbindung mit der Setup-Software des Konverters über einen Mac-OS-X- oder Windows-Computer. Die Produktsoftware der Mini Converter wird ebenfalls über den USB-Port aktualisiert.
- 5 SDI OUT**  
BNC-Verbinder für die SDI-Videoausgabe.
- 6 SDI OUT**  
Sekundärer SDI-Ausgang.
- 7 POWER +12V**  
Strombuchse für 12V-Netzteil.

## Switches

Die Switches am Mini Converter HDMI to SDI ermöglichen folgende Einstellungen:

### **Switch 8 – ANALOG AUDIO, AES/EBU AUDIO**

Stellen Sie Switch 8 auf OFF, um symmetrisches Analogaudio auszuwählen oder auf ON, um digitales AES/EBU-Audio zu empfangen. Um diese Eingänge zu verwenden, muss Switch 7 ebenfalls auf ON stehen.

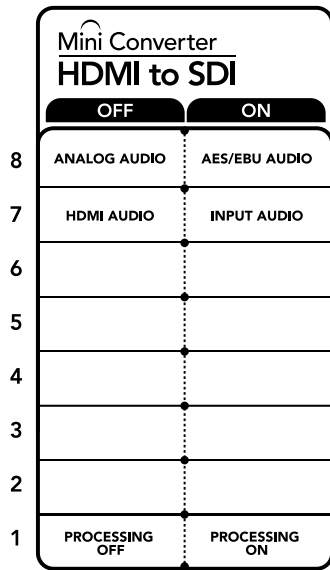
### **Switch 7 – HDMI AUDIO, INPUT AUDIO**

Stellen Sie Switch 7 zur Auswahl von eingebettetem HDMI-Audio auf OFF oder für Analog- bzw. AES/EBU-Audio auf ON.

### **Switch 1 – PROCESSING OFF, PROCESSING ON**

Konvertieren Sie abwärts von HD nach SD mit drei Seitenverhältnis-Modi. Diese Modi durchlaufen Sie, indem Sie Switch 1 mehrmals umlegen. D. h. jedes Mal, wenn Sie zwischen OFF und ON hin und her schalten, aktivieren Sie die Seitenverhältnisse anamorphotisch, Center Cut oder Letterbox. Belassen Sie Switch 1 in der OFF-Position, wird die Abwärtskonvertierung umgangen und in HD ausgegeben.

Wenn eine Verbindung zu Blackmagic Converters Setup per USB besteht, werden die Einstellungen für die Abwärtskonvertierung von der Software gesteuert. Soll der Konverter Ihre Softwareeinstellungen übernehmen, unterbrechen Sie die Verbindung mit Ihrem Computer und starten Sie den Konverter neu. Geben Sie dann die Abwärtskonvertierung mit Switch 1 vor.



Die Switch-Legende am Boden Ihres Converters gibt Ihnen alle erforderlichen Informationen, um die Umwandlungseinstellungen zu verändern

## Blackmagic Converters Setup Einstellungen

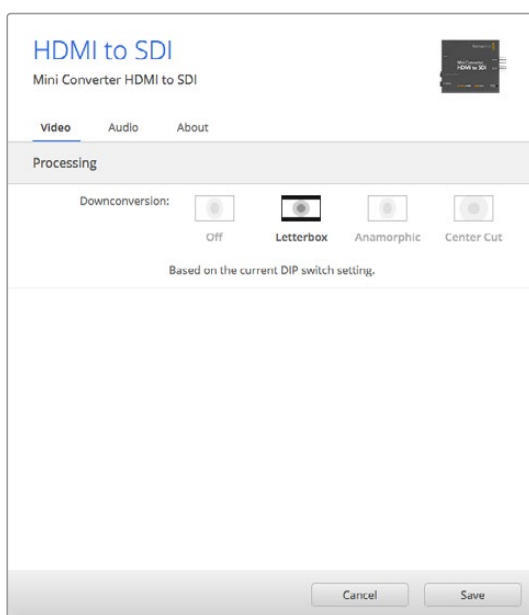
Mit dem Blackmagic Converters Setup Dienstprogramm können Einstellungen geändert und die Mini Converter Software aktualisiert werden. Greifen Sie auf diese Einstellungen jeweils über die Reiter „Video“, „Audio“ und „About“ (Info) zu.

Näheres über den Reiter „About“ (Info) finden Sie im Abschnitt „Einstellungen ändern“ in diesem Handbuch.

Der „Video“-Reiter für den Mini Converter HDMI to SDI weist folgende Einstellungen auf.

### „Processing“-Menü

In diesem Menü wählen Sie das Seitenverhältnis für den Inhalt aus, der von HD nach SD abwärtskonvertiert werden soll. Es gibt die Optionen Letterbox, anamorphotisch, Center Cut und OFF.

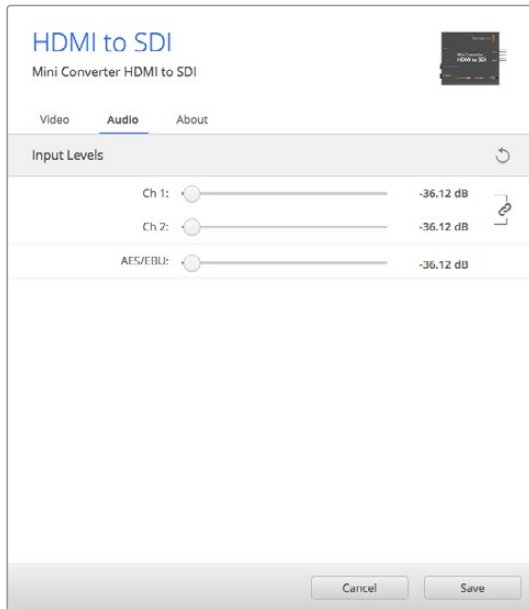


Über den „Video“-Reiter in Blackmagic Converters Setup passen Sie Ihre Verarbeitungseinstellungen an

Der „Audio“-Reiter für den Mini Converter HDMI to SDI weist folgende Einstellungen auf.

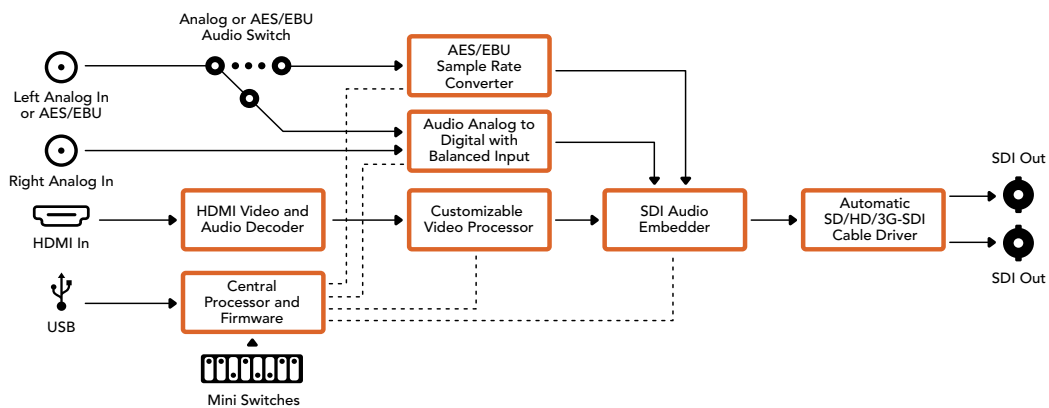
### „Input Levels“-Menü

Mit diesem Menü regulieren Sie „Gain“-Einstellungen (Verstärkung) für Ihre Audioeingabe. Sie können die Audiopegel für jeden Kanal einzeln oder, indem Sie das Link-Symbol neben den Schiebereglern aktivieren, auch gesammelt justieren. Klicken Sie auf das Reset-Symbol oben im „Input Levels“-Menü, um die Audiopegel auf 0 dB zurückzusetzen.



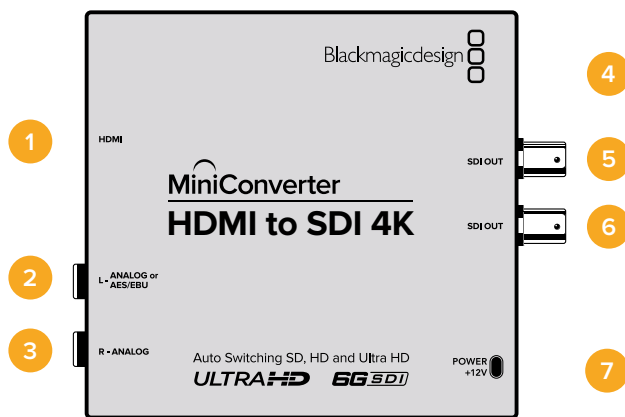
Audiopegel werden in Blackmagic Converters Setup über den „Audio“-Reiter angepasst

### Mini Converter HDMI to SDI Blockschaltbild



### Mini Converter HDMI to SDI 4K

Ihr Mini Converter HDMI to SDI 4K und das Modell HDMI to SDI 4K Heavy Duty konvertiert HDMI-Ausgaben von Geräten wie HDV-Kameras und Spielekonsolen in SDI. Zusätzlich können Sie Audio wahlweise von HDMI, AES/EBU oder symmetrischen Analogaudio-Eingängen einbetten. Dies gestattet die Übermittlung von Videosignalen von HDMI über SDI mit SDI-Kabeln maximaler Länge. Sie können HDMI-kompatible Computer sogar mit SDI-Ausgängen versehen.



## Anschlüsse

- 1 HDMI**  
HDMI Typ A Videoeingang.
- 2 L - ANALOG or AES/EBU**  
1/4-Zoll-Klinkenbuchse für den linken Kanal für symmetrische Analogaudio- oder digitale AES/EBU-Audioeingaben.
- 3 R - ANALOG**  
1/4-Zoll-Klinkenbuchse für den rechten Kanal für symmetrische Analogaudio-Eingaben.
- 4 MINI-B USB PORT**  
Ermöglicht die Verbindung mit der Setup-Software des Konverters über einen Mac-OS-X- oder Windows-Computer. Die Produktsoftware der Mini Converter wird ebenfalls über den USB-Port aktualisiert.
- 5 SDI OUT**  
BNC-Buchse für ausgehende SDI-Videosignale
- 6 SDI OUT**  
Sekundärer SDI-Ausgang.
- 7 POWER +12V**  
Strombuchse für 12V-Netzteil.

## Switches

**TIPP** Die Switches des Mini Converter Heavy Duty Modells sind mit einer Gummiabdeckung versehen. Heben Sie einfach die Abdeckung ab, um zu den Switches zu gelangen.

Die Switches am Mini Converter HDMI to SDI 4K ermöglichen folgende Einstellungen:

### Switch 8 – ANALOG AUDIO, AES/EBU AUDIO

Stellen Sie Switch 8 auf OFF, um symmetrisches Analogaudio auszuwählen oder auf ON, um digitales AES/EBU-Audio zu empfangen. Um diese Eingänge zu verwenden, muss Switch 7 ebenfalls auf ON stehen.

### Switch 7 – HDMI AUDIO, INPUT AUDIO

Stellen Sie Switch 7 zur Auswahl von eingebettetem HDMI-Audio auf OFF oder für Analog- bzw. AES/EBU-Audio auf ON.

### Switches 2, 1 – SELECT FORMAT BIT 1,0

Wenn Sie eine HDMI-Quelle anschließen, die sowohl Ultra HD als auch HD ausgibt, können Sie Ihren Konverter so einstellen, dass er die Quelle zwingt, entweder das Eine oder das Andere auszugeben. Das ist hilfreich, wenn Sie das Bild Ihres Desktops über SDI-Equipment in HD aufzeichnen oder anzeigen wollen. Dadurch wird das Bild größer und ist leichter zu sehen.

Auch wenn der Eindruck entsteht, dass es sich hierbei um eine Einstellung für Up- bzw. Downkonvertierungen handelt, geht es lediglich darum, dass Ihr Konverter Ihrem Quellgerät vorgibt, Video in Ultra HD oder HD auszugeben. Damit kann Ihr Konverter das Quellvideo schließlich in nativer HD- oder Ultra-HD-Auflösung ohne vorherige Up- oder Downkonvertierung ausgeben.

Ob Ihr Quellvideo in HD oder Ultra HD ausgegeben wird oder ob Ihr Konverter automatisch die optimale Auflösung hinsichtlich Ihres Quellgeräts ermitteln soll, können Sie mit den Kombinationen der Switches 1 und 2 bestimmen.

Die Kombinationseinstellungen finden Sie unten.

#### **AUTO – Switch 1 auf OFF, Switch 2 auf OFF**

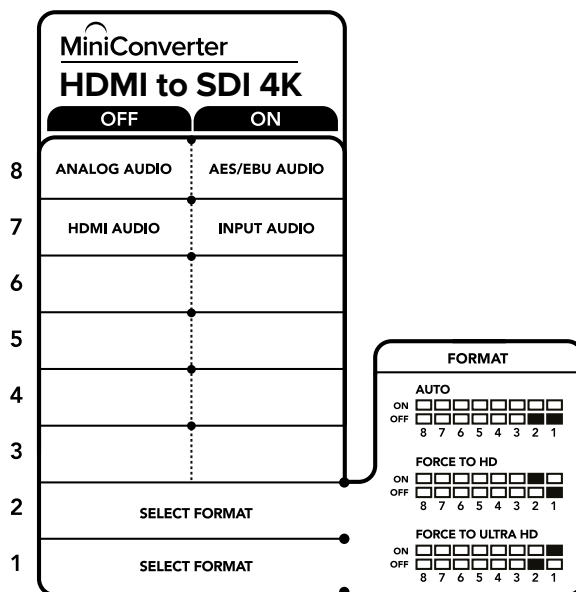
Ihr Konverter ermittelt nun die optimale HD- oder Ultra-HD-Auflösung hinsichtlich der Ausgabefähigkeiten Ihres Quellgeräts automatisch.

#### **FORCE TO HD – Switch 1 auf OFF, Switch 2 auf ON**

Wenn Ihr HDMI-Quellequipment sowohl HD als auch Ultra HD ausgeben kann, wird Ihr Konverter ihm vorgeben, HD-Video auszugeben.

#### **FORCE TO ULTRA HD – Switch 1 auf ON, Switch 2 auf OFF**

Wenn Ihr HDMI-Quellequipment sowohl HD als auch Ultra HD ausgeben kann, wird Ihr Konverter ihm vorgeben, Ultra-HD-Video auszugeben.



Die Switch-Legende am Boden Ihres Konverters gibt Ihnen alle erforderlichen Informationen, um die Umwandlungseinstellungen zu verändern

## Blackmagic Converters Setup Einstellungen

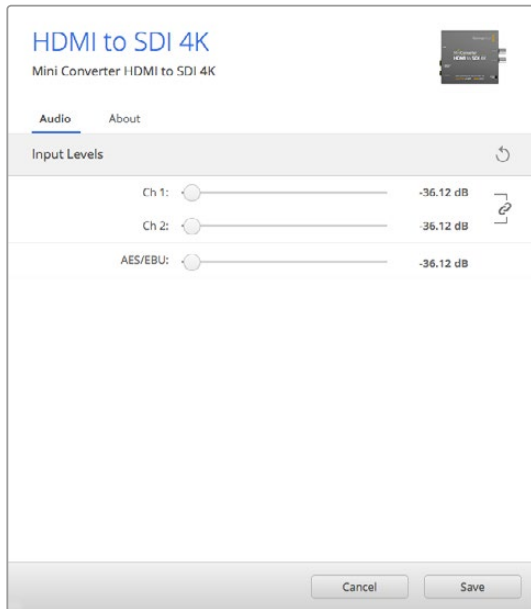
Mit dem Blackmagic Converters Setup Dienstprogramm können Einstellungen geändert und die Mini Converter Software aktualisiert werden. Greifen Sie auf diese Einstellungen jeweils über die Reiter „Audio“ und „About“ (Infos) zu.

Näheres über den Reiter „About“ (Info) finden Sie im Abschnitt „Einstellungen ändern“ in diesem Handbuch.

Der „Audio“-Reiter für den Mini Converter HDMI to S 4K weist folgende Einstellungen auf.

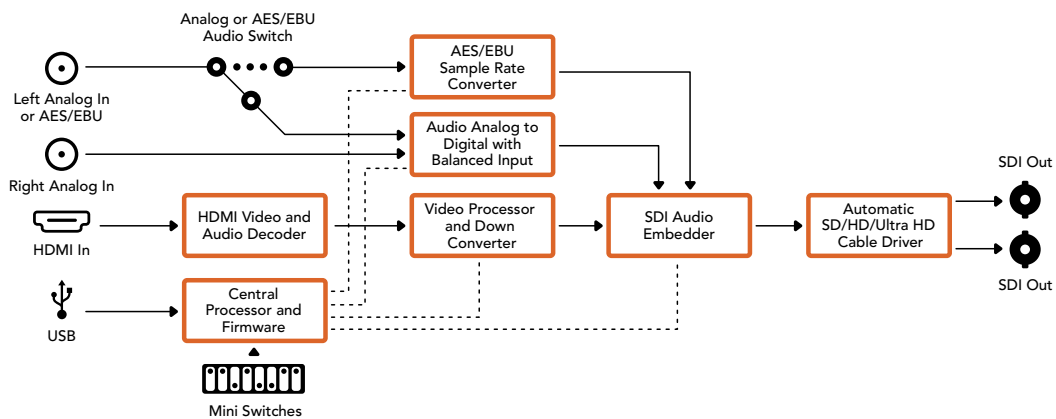
### „Input Levels“-Menü

Mit diesem Menü regulieren Sie „Gain“-Einstellungen (Verstärkung) für Ihre Audioeingabe. Sie können die Audiopegel für jeden Kanal einzeln oder, indem Sie das Link-Symbol neben den Schieberegler aktivieren, auch gesammelt justieren. Klicken Sie auf das Reset-Symbol oben im „Input Levels“-Menü, um die Audiopegel auf 0 dB zurückzusetzen.



Audiopegel werden in Blackmagic Converters Setup über den „Audio“-Reiter angepasst

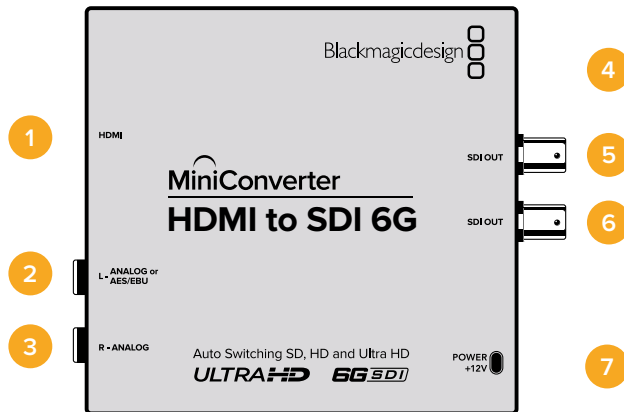
### Mini Converter HDMI to SDI 4K Blockschaltbild



### Mini Converter HDMI to SDI 6G

Ihr Mini Converter HDMI to SDI 6G konvertiert HDMI-Ausgaben von Geräten wie HDV-Kameras und Spielekonsolen in SDI. Zusätzlich können Sie Audio wahlweise von den HDMI-, AES/EBU- oder symmetrischen Analogaudio-Eingängen einbetten. Dies gestattet die Übermittlung von Videosignalen von HDMI über SDI mit SDI-Kabeln maximaler Länge. Sie können HDMI-kompatible Computer sogar mit SDI-Ausgängen versehen.





## Anschlüsse

- 1 HDMI**  
HDMI Typ A Videoeingang.
- 2 L – ANALOG or AES/EBU**  
1/4-Zoll-Klinkenbuchse für den linken Kanal für symmetrische Analogaudio- oder AES/EBU-Audioeingaben.
- 3 R – ANALOG**  
1/4-Zoll-Klinkenbuchse für den rechten Kanal für symmetrische Analogaudio-Eingaben.
- 4 MINI-B USB PORT**  
Ermöglicht die Verbindung mit der Setupsoftware des Konverters über einen Mac-OS-X- oder Windows-Computer. Die Produktsoftware des Mini Converters wird ebenfalls über den USB-Port aktualisiert.
- 5 SDI OUT**  
BNC-Buchse für ausgehende SDI-Videosignale.
- 6 SDI OUT**  
Sekundärer SDI-Ausgang.
- 7 POWER +12V**  
Strombuchse für 12V-Netzteil.

## Switches

Die Switches am Mini Converter HDMI to SDI 6G ermöglichen folgende Einstellungen:

### Switch 8 – ANALOG AUDIO, AES/EBU AUDIO

Stellen Sie Switch 8 auf OFF, um symmetrisches Analogaudio auszuwählen oder auf ON, um digitales AES/EBU-Audio zu empfangen. Um diese Eingänge zu verwenden, muss Switch 7 ebenfalls auf ON stehen.

### Switch 7 – HDMI AUDIO, INPUT AUDIO

Stellen Sie Switch 7 zur Auswahl von eingebettetem HDMI-Audio auf OFF oder für Analog- bzw. AES/EBU-Audio auf ON.

### Switch 6 – 3G LEVEL B OUTPUT (Normal), 3G LEVEL A OUTPUT

Um die Ausgabe von 3G-Level-B-Signalen zu aktivieren, stellen Sie Switch 6 auf OFF. Um 3G-Level-A-Signale auszugeben, stellen Sie ihn auf ON.

### Switches 2, 1 – SELECT FORMAT BIT 1,0

Ist eine HDMI-Quelle angeschlossen, die sowohl Ultra HD als auch HD ausgibt, können Sie Ihren Konverter so einstellen, dass er die Quelle zwingt, entweder das Eine oder das Andere auszugeben. Das ist hilfreich, wenn Sie das Bild Ihres Desktops über SDI-Equipment in HD aufzeichnen oder anzeigen wollen. Dadurch wird das Bild größer und ist leichter zu sehen.

Auch wenn der Eindruck entsteht, dass es sich hierbei um eine Einstellung für Up- bzw. Downkonvertierungen handelt, geht es lediglich darum, dass Ihr Konverter Ihrem Quellgerät vorgibt, Video in Ultra HD oder HD auszugeben. So kann Ihr Konverter das Quellvideo ohne vorherige Up- oder Downkonvertierung in nativer HD- oder Ultra-HD-Auflösung ausgeben.

Ob Ihr Quellvideo in HD oder Ultra HD ausgegeben wird oder ob Ihr Konverter automatisch die optimale Auflösung für Ihr Quellgerät ermitteln soll, bestimmen Sie mit den Kombinationen der Switches 1 und 2.

Die Kombinationseinstellungen finden Sie unten.

**AUTO – Switch 1 auf OFF, Switch 2 auf OFF**

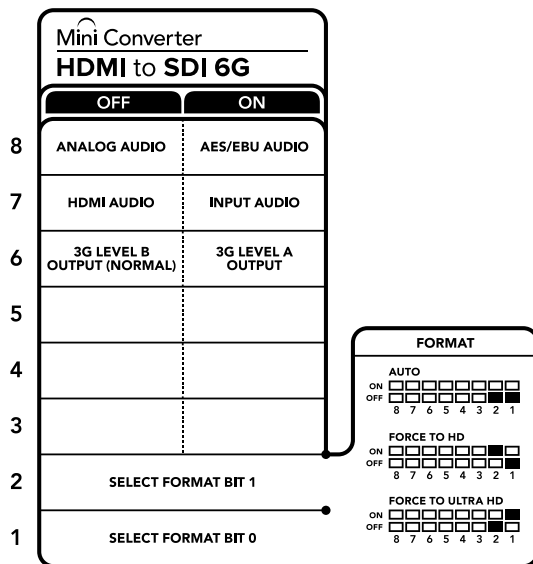
Ihr Konverter ermittelt nun automatisch die für die Ausgabefähigkeiten Ihres Quellgeräts optimale HD- oder Ultra-HD-Auflösung.

**FORCE TO HD – Switch 1 auf OFF, Switch 2 auf ON**

Wenn Ihr HDMI-Quellequipment sowohl HD als auch Ultra HD ausgeben kann, wird Ihr Konverter ihm vorgeben, HD-Video auszugeben.

**FORCE TO ULTRA HD – Switch 1 auf ON, Switch 2 auf OFF**

Wenn Ihr HDMI-Quellequipment sowohl HD als auch Ultra HD ausgeben kann, wird Ihr Konverter ihm vorgeben, Ultra-HD-Video auszugeben.



Die Switch-Legende am Boden Ihres Converters gibt Ihnen alle erforderlichen Informationen, um die Umwandlungseinstellungen zu verändern

## Blackmagic Converters Setup Einstellungen

Mit dem Blackmagic Converters Setup Dienstprogramm können Einstellungen geändert und die Mini Converter Software aktualisiert werden. Greifen Sie auf diese Einstellungen jeweils über die Reiter „Audio“ und „About“ (Infos) zu. Näheres über den Reiter „About“ finden Sie im Abschnitt „Einstellungen ändern“ in diesem Handbuch. Der „Audio“-Reiter für den Mini Converter HDMI to SDI 6G weist folgende Einstellungen auf.

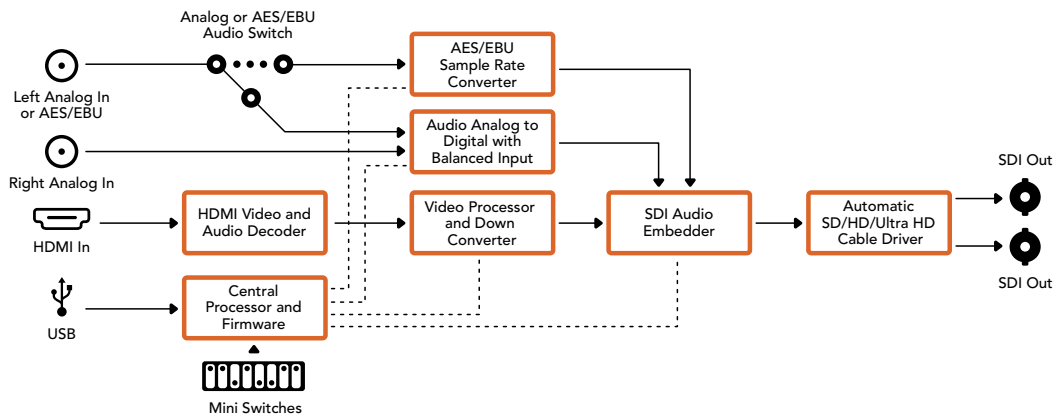
**„Input Levels“-Menü**

Mit diesem Menü regulieren Sie über „Gain“ die Verstärkungseinstellungen für Ihre Audioeingabe. Sie können die Audiopegel für jeden Kanal einzeln oder, indem Sie das Link-Symbol neben den Schieberegler aktivieren, auch gesammelt justieren. Klicken Sie auf das Reset-Symbol oben im „Input Levels“-Menü, um die Audiopegel auf 0 dB zurückzusetzen.



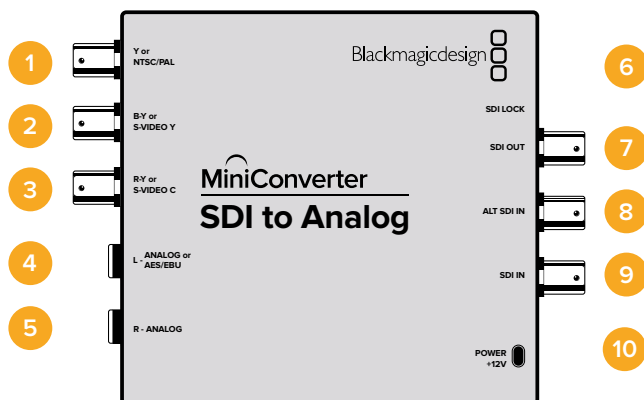
Audiopegel werden in Blackmagic Converters Setup über den „Audio“-Reiter angepasst

### Mini Converter HDMI to SDI 6G Blockschaltbild



### Mini Converter SDI to Analog

Ihr Blackmagic Mini Converter SDI to Analog wandelt SD- und HD-SDI-Inhalte in analoges Komponenten-Video, NTSC- und PAL-Videoausgaben sowie in symmetrische AES/EBU- und analoge Audio-Ausgaben um. Ihr Konverter lässt sich mühelos an analoge Videomonitor und MAZen wie Betacam SP und VHS anschließen. Ein Hardware-Downkonverter ermöglicht die Anbindung von HD-SDI-Videoquellen an analoges SD-Equipment. Sie können sogar paarweise Analogaudio von 16 herausgelösten SDI-Audiokanälen ausgeben.



## Anschlüsse

- 1 Y or NTSC/PAL**  
BNC-Buchse zur Ausgabe von analogen Komponentensignalen Y oder FBAS-NTSC/PAL.
- 2 B-Y or S-VIDEO Y**  
BNC-Buchse zur Ausgabe von analogen Komponentensignalen B-Y oder S-Video Y.
- 3 R-Y or S-VIDEO C**  
BNC-Buchse zur Ausgabe von analogen Komponentensignalen R-Y oder S-Video C.
- 4 L - ANALOG or AES/EBU**  
1/4-Zoll-Klinkenbuchse für den linken Kanal für symmetrische Analogaudio- oder digitale AES/EBU-Audioausgaben.
- 5 R - ANALOG**  
1/4-Zoll-Klinkenbuchse für den rechten Kanal für symmetrische Analogaudio-Ausgaben.
- 6 MINI-B USB PORT**  
Ermöglicht die Verbindung mit der Setup-Software des Konverters über einen Mac-OS-X- oder Windows-Computer. Die Produktsoftware der Mini Converter wird ebenfalls über den USB-Port aktualisiert.
- 7 SDI OUT**  
BNC-Verbinder für die SDI-Videoausgabe.
- 8 ALT SDI IN**  
Der redundante SDI-Eingang dient als optionales Backup.
- 9 SDI IN**  
Primärer SDI-Eingang.
- 10 POWER +12V**  
Strombuchse für 12V-Netzteil.

## Switches

### Switch 8 – ANALOG AUDIO, AES/EBU AUDIO

Stellen Sie Switch 8 auf OFF, um symmetrisches Analogaudio auszuwählen oder auf ON, um digitales AES/EBU-Audio auszugeben.

### Switch 7 – 7.5 IRE, 0.0 IRE

In den USA und anderen Ländern, wo NTSC mit einem IRE-Wert von 7,5 üblich ist, sollte Switch 7 auf OFF eingestellt sein. In Ländern, wo das 7,5-IRE-Setup nicht üblich ist, stellen Sie Switch 7 auf ON. Diese Einstellung betrifft nur die Ausgabe von FBAS- oder S-Video-Signalen.

### Switch 6 – SMPTE LEVELS, BETACAM LEVELS

Stellen Sie Switch 6 für SMPTE-Pegel auf OFF oder für Betacam-Pegel auf ON. Da SMPTE-Pegel gebräuchlicher sind und sogar Betacam-SP-MAZen SMPTE-Pegel verarbeiten, sollte Betacam nur eingestellt werden, wenn Sie sicher sind, dass Betacam-Pegel verwendet werden.

### Switch 5 – COMPONENT, COMPOSITE oder S-VIDEO

Stellen Sie Switch 5 auf OFF, um analoges Komponentenvideo auszugeben oder auf ON zur Ausgabe von FBAS- und S-Video.

Um eingehende HD-Videosignale an den S-Video- und FBAS-Ausgängen anzuzeigen, muss die Abwärtskonvertierung auf ON eingestellt sein. Analoges Komponentenvideo unterstützt HD- und SD-Video.

### Switch 4 – SDI AUDIO DE-EMBED BIT 2

Switches 4, 3 und 2 liefern gesammelt acht ON/OFF-Kombinationen. Mit acht verschiedenen Kombinationen lassen sich acht unabhängige Audiokanal-Paare aus Ihrer SDI-Eingabe herauslösen.

### Switch 3 – SDI AUDIO DE-EMBED BIT 1

Siehe Erklärung für Switch 4.

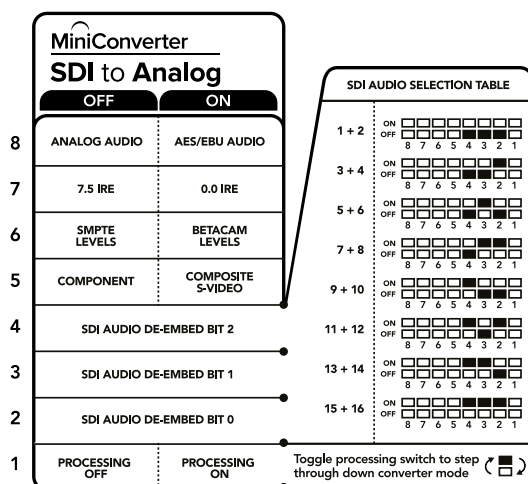
### Switch 2 – SDI AUDIO DE-EMBED BIT 0

Siehe Erklärung für Switch 4.

### Switch 1 – PROCESSING OFF, PROCESSING ON

Konvertieren Sie abwärts von HD nach SD mit drei Seitenverhältnis-Modi. Diese Modi durchlaufen Sie, indem Sie Switch 1 mehrmals umlegen. D. h. jedes Mal, wenn Sie zwischen OFF und ON hin und her schalten, aktivieren Sie die Seitenverhältnisse anamorphotisch, Center Cut oder Letterbox. Belassen Sie Switch 1 in der OFF-Position, wird die Abwärtskonvertierung umgangen und in HD ausgegeben.

Wenn eine Verbindung zu Blackmagic Converters Setup per USB besteht, werden die Einstellungen für die Abwärtskonvertierung von der Software gesteuert. Soll der Konverter Ihre Softwareeinstellungen übernehmen, unterbrechen Sie die Verbindung mit Ihrem Computer und starten Sie den Konverter neu. Geben Sie nun die Abwärtskonvertierung mit Switch 1 vor.



Die Switch-Legende am Boden Ihres Converters gibt Ihnen alle erforderlichen Informationen, um die Umwandlungseinstellungen zu verändern

### Beispiel für Switch-Einstellungen

Experimentieren Sie mit Ihren Switches: Stellen Sie für Ihren Blackmagic Mini Converter Switches 8, 5, 4, 3 und 2 auf OFF, um HD-Komponenten-Video und Analogaudio für Kanäle 1 und 2 auszugeben.

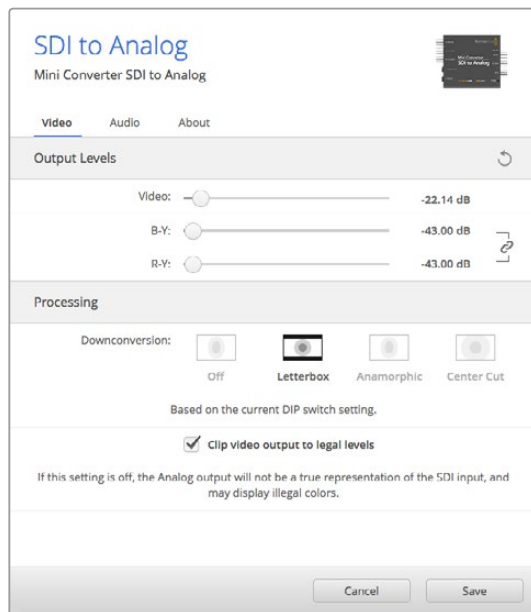
## Auswahltabelle für SDI-Audio

Audiokanäle	Switch 4	Switch 3	Switch 2	Schaltdiagramm
1 und 2	OFF	OFF	OFF	ON OFF 8 7 6 5 4 3 2 1
3 und 4	OFF	OFF	ON	ON OFF 8 7 6 5 4 3 2 1
5 und 6	OFF	ON	OFF	ON OFF 8 7 6 5 4 3 2 1
7 und 8	OFF	ON	ON	ON OFF 8 7 6 5 4 3 2 1
9 und 10	ON	OFF	OFF	ON OFF 8 7 6 5 4 3 2 1
11 und 12	ON	OFF	ON	ON OFF 8 7 6 5 4 3 2 1
13 und 14	ON	ON	OFF	ON OFF 8 7 6 5 4 3 2 1
15 und 16	ON	ON	ON	ON OFF 8 7 6 5 4 3 2 1

## Blackmagic Converters Setup Einstellungen

Mit dem Blackmagic Converters Setup Dienstprogramm können Einstellungen geändert und die Mini Converter Software aktualisiert werden. Greifen Sie auf diese Einstellungen jeweils über die Reiter „Video“, „Audio“ und „About“ (Info) zu.

Näheres über den Reiter „About“ (Info) finden Sie im Abschnitt „Einstellungen ändern“ in diesem Handbuch.



Über den „Video“-Reiter im Converter Setup passen Sie Ihre analogen Videopegel und Verarbeitungseinstellungen an

## „Processing“-Menü

In diesem Menü geben Sie das Seitenverhältnis des abwärtskonvertierten Videos vor. Verfügbare Optionen sind „Letterbox“, „Anamorphic“, „Center Cut“ oder „No Processing“ (Keine Bearbeitung).

Das Kontrollkästchen „Clip video output to legal levels“ regelt das Abschneiden von Übersteuerungen der SDI-Eingabe, damit Ihre HDMI-Signale im zulässigen Pegelbereich bleiben. Es sollte standardmäßig aktiviert sein.

## „Output Levels“-Menü

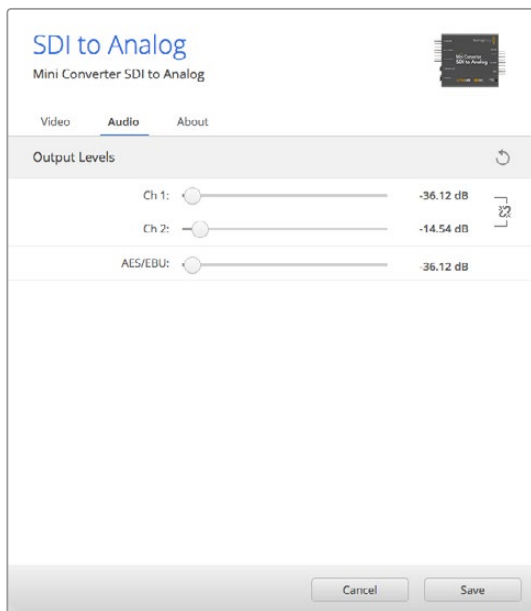
In diesem Menü geben Sie Luminanz- und Chromawerte vor sowie die separate Einstellung der Luminanz- und Chroma-Werte der B-Y- und R-Y-Komponenten-Pegel.

Der „Video“-Reiter für den Mini Converter SDI to Analog weist folgende Einstellungen auf.

## „Output Levels“-Menü

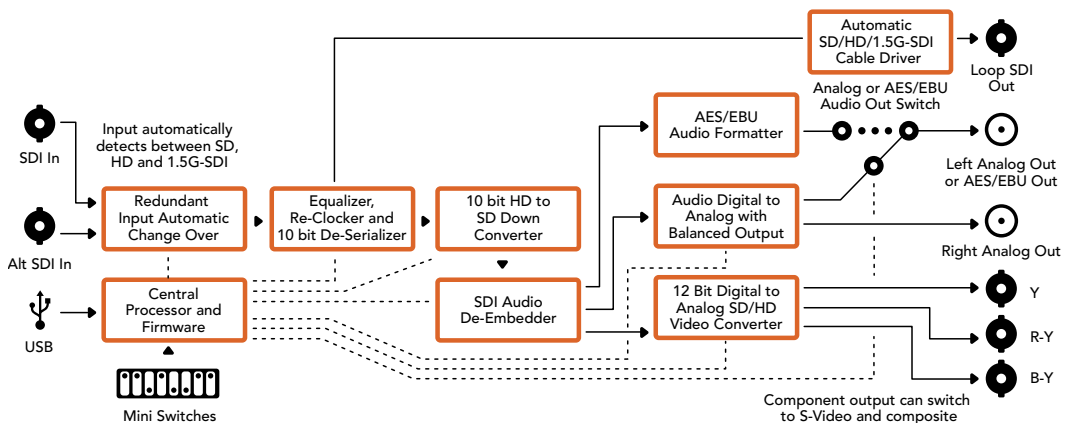
Mit diesem Menü regulieren Sie „Gain“-Einstellungen (Verstärkung) für Ihre Audioausgabe.

Sie können die Audiopegel für jeden Kanal einzeln oder, indem Sie das Link-Symbol neben den Schiebereglern aktivieren, auch gesammelt justieren. Klicken Sie auf das Reset-Symbol oben im „Output Levels“-Menü, um die Audiopegel auf 0 dB zurückzusetzen.



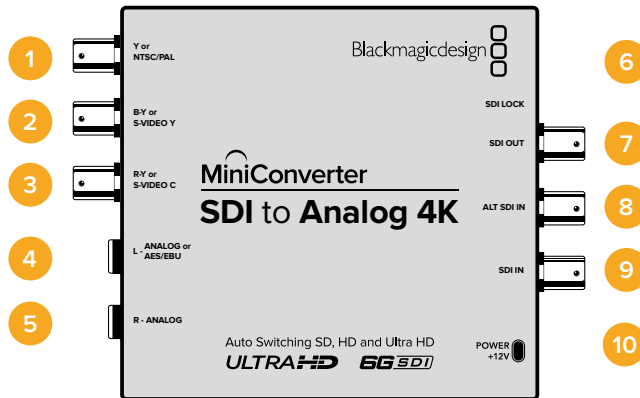
Analoge Audiopegel werden in Blackmagic Converters Setup über den „Audio“-Reiter angepasst

## Mini Converter SDI to Analog Blockschaltbild



## Mini Converter SDI to Analog 4K

Ihr Mini Converter SDI to Analog 4K und das Modell SDI to Analog 4K Heavy Duty wandelt SD-/HD-/3G-/6G-SDI-Inhalte in analoges Komponenten-Video, in NTSC- und PAL-Videoausgaben sowie in symmetrische AES/EBU- und analoge Audio-Ausgaben um. Dieser Downkonverter lässt Sie 6G-SDI-Videoquellen an SD- und HD- Analoggeräte anschließen. Auch die Anbindung von Videomonitoren und MAZen wie Betacam SP und VHS ist möglich. Sie können sogar paarweise Analogaudio von 16 herausgelösten SDI-Audiokanälen ausgeben.



### Anschlüsse

- 1 Y or NTSC/PAL**  
BNC-Buchse zur Ausgabe von analogen Komponentensignalen Y oder NTSC/PAL.
- 2 B-Y or S-VIDEO Y**  
BNC-Buchse zur Ausgabe von analogen Komponentensignalen B-Y oder S-Video Y.
- 3 R-Y or S-VIDEO C**  
BNC-Buchse zur Ausgabe von analogen Komponentensignalen R-Y oder S-Video C.
- 4 L - ANALOG or AES/EBU**  
1/4-Zoll-Klinkenbuchse für den linken Kanal für symmetrische Analogaudio- oder digitale AES/EBU-Audioausgaben.
- 5 R - ANALOG**  
1/4-Zoll-Klinkenbuchse für den rechten Kanal für symmetrische Analogaudio-Ausgaben.
- 6 MINI-B USB PORT**  
Ermöglicht die Verbindung mit der Setup-Software des Konverters über einen Mac-OS-X- oder Windows-Computer. Die Produktsoftware der Mini Converter wird ebenfalls über den USB-Port aktualisiert.
- 7 SDI OUT**  
BNC-Buchse für ausgehende SDI-Videosignale
- 8 ALT SDI IN**  
Der redundante SDI-Eingang dient als optionales Backup.
- 9 SDI IN**  
Primärer SDI-Eingang.
- 10 POWER +12V**  
Strombuchse für 12V-Netzteil.



## Switches

**TIPP** Die Switches des Mini Converter Heavy Duty Modells sind mit einer Gummiabdeckung versehen. Heben Sie einfach die Abdeckung ab, um zu den Switches zu gelangen.

Die Switches am Mini Converter SDI to Analog 4K erlauben folgende Einstellungen:

### **Switch 8 – ANALOG AUDIO, AES/EBU AUDIO**

Stellen Sie Switch 8 auf OFF, um symmetrisches Analogaudio auszuwählen oder auf ON, um digitales AES/EBU-Audio auszugeben.

### **Switch 7 – 7.5 IRE, 0.0 IRE**

In den USA und anderen Ländern, wo NTSC mit einem IRE-Wert von 7,5 üblich ist, sollte Switch 7 auf OFF eingestellt sein. In Ländern, wo das 7,5-IRE-Setup nicht üblich ist, stellen Sie Switch 7 auf ON. Diese Einstellung betrifft nur die Ausgabe von FBAS- oder S-Video-Signalen.

### **Switch 6 – SMPTE LEVELS, BETACAM LEVELS**

Stellen Sie Switch 6 für SMPTE-Pegel auf OFF oder für Betacam-Pegel auf ON. Da SMPTE-Pegel gebräuchlicher sind und sogar Betacam SP-MAZen SMPTE-Pegel verarbeiten, sollte Betacam nur eingestellt werden, wenn Sie sicher sind, dass Betacam-Pegel verwendet werden.

### **Switch 5 – COMPONENT, COMPOSITE oder S-VIDEO**

Stellen Sie Switch 5 auf OFF, um analoges Komponentenvideo auszugeben oder auf ON zur Ausgabe von FBAS- und S-Video.

Um eingehende HD-Videosignale an den S-Video- und FBAS-Ausgängen als SD anzuzeigen, muss die Abwärtskonvertierung auf ON stehen. Analoges Komponentenvideo unterstützt HD- und SD-Video.

### **Switch 4, 3 und 2 – SDI AUDIO DE-EMBED**

Switches 4, 3 und 2 liefern gesammelt acht ON/OFF-Kombinationen. Mit acht verschiedenen Kombinationen lassen sich acht unabhängige Audiokanal-Paare aus Ihrer SDI-Eingabe herauslösen.

### **Switch 1 – PROCESSING OFF, PROCESSING ON**

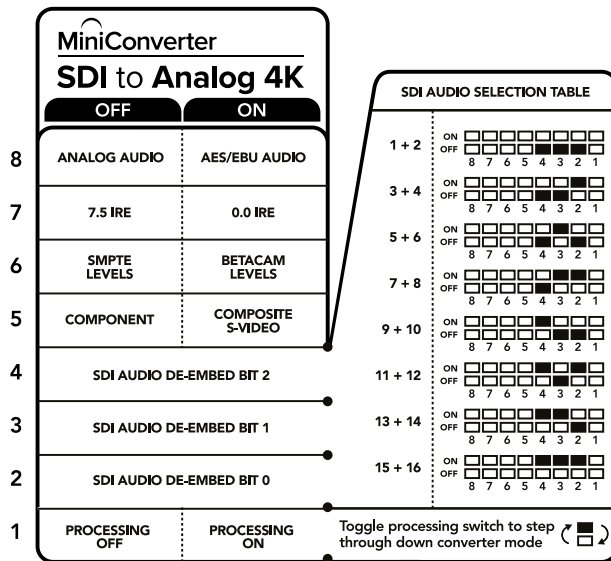
Abwärtskonvertierung mit drei Seitenverhältnis-Modi, die durch Umlegen von Switch 1 durchlaufen werden. D. h. jedes Mal, wenn Sie zwischen OFF und ON hin und her schalten, aktivieren Sie die Seitenverhältnisse Anamorphotisch, Center Cut oder Letterbox.

Stellen Sie den Switch für die HD- und Ultra-HD-Eingabe auf OFF, um HD-Analoginhalte über die Komponentenausgänge auszugeben.

Wenn Sie den Switch auf ON stellen, wird die Ultra-HD-Eingabe entweder zu analogen PAL/NTSC- oder HD-Komponenten-Signalen abwärtskonvertiert, je nachdem welche Einstellungen für die anderen Switches vorgegeben sind. Das Zuschneiden von 4K-DCI-Material erfolgt am Komponenten-HD-Ausgang.

Wird der Switch für den HD-Eingang auf ON gestellt, dann werden HD-Signale zu analogen PAL/NTSC- oder Komponenten-Signalen abwärtskonvertiert, je nachdem welche Einstellungen für die anderen Switches vorgegeben sind.

Wenn eine Verbindung zu Blackmagic Converters Setup per USB besteht, werden die Einstellungen für die Abwärtskonvertierung von der Software gesteuert. Soll der Konverter Ihre Softwareeinstellungen übernehmen, unterbrechen Sie die Verbindung mit Ihrem Computer und starten Sie den Konverter neu. Geben Sie nun die Abwärtskonvertierung mit Switch 1 vor.



Die Switch-Legende am Boden Ihres Konverters gibt Ihnen alle erforderlichen Informationen, um die Umwandlungseinstellungen zu verändern

### Beispiel für Switch-Einstellungen:

Experimentieren Sie mit Ihren Switches: Stellen Sie für Ihren Blackmagic Mini Converter Switches 8, 5, 4, 3 und 2 auf OFF, um HD-Komponenten-Video und Analogaudio für Kanäle 1 und 2 auszugeben.

### Auswahltabelle für Audio

Audiokanäle	Switch 4	Switch 3	Switch 2	Schaltdiagramm
1 und 2	OFF	OFF	OFF	ON OFF <input type="checkbox"/> <input type="checkbox"/> <input type="checkbox"/> <input type="checkbox"/> <input type="checkbox"/> <input type="checkbox"/> <input type="checkbox"/> <input type="checkbox"/> 8 7 6 5 4 3 2 1
3 und 4	OFF	OFF	ON	ON OFF <input type="checkbox"/> <input type="checkbox"/> <input type="checkbox"/> <input type="checkbox"/> <input type="checkbox"/> <input type="checkbox"/> <input type="checkbox"/> <input type="checkbox"/> 8 7 6 5 4 3 2 1
5 und 6	OFF	ON	OFF	ON OFF <input type="checkbox"/> <input type="checkbox"/> <input type="checkbox"/> <input type="checkbox"/> <input type="checkbox"/> <input type="checkbox"/> <input type="checkbox"/> <input type="checkbox"/> 8 7 6 5 4 3 2 1
7 und 8	OFF	ON	ON	ON OFF <input type="checkbox"/> <input type="checkbox"/> <input type="checkbox"/> <input type="checkbox"/> <input type="checkbox"/> <input type="checkbox"/> <input type="checkbox"/> <input type="checkbox"/> 8 7 6 5 4 3 2 1
9 und 10	ON	OFF	OFF	ON OFF <input type="checkbox"/> <input type="checkbox"/> <input type="checkbox"/> <input type="checkbox"/> <input type="checkbox"/> <input type="checkbox"/> <input type="checkbox"/> <input type="checkbox"/> 8 7 6 5 4 3 2 1
11 und 12	ON	OFF	ON	ON OFF <input type="checkbox"/> <input type="checkbox"/> <input type="checkbox"/> <input type="checkbox"/> <input type="checkbox"/> <input type="checkbox"/> <input type="checkbox"/> <input type="checkbox"/> 8 7 6 5 4 3 2 1
13 und 14	ON	ON	OFF	ON OFF <input type="checkbox"/> <input type="checkbox"/> <input type="checkbox"/> <input type="checkbox"/> <input type="checkbox"/> <input type="checkbox"/> <input type="checkbox"/> <input type="checkbox"/> 8 7 6 5 4 3 2 1
15 und 16	ON	ON	ON	ON OFF <input type="checkbox"/> <input type="checkbox"/> <input type="checkbox"/> <input type="checkbox"/> <input type="checkbox"/> <input type="checkbox"/> <input type="checkbox"/> <input type="checkbox"/> 8 7 6 5 4 3 2 1

## Blackmagic Converters Setup Einstellungen

Mit dem Blackmagic Converters Setup Dienstprogramm können Einstellungen geändert und die Mini Converter Software aktualisiert werden. Greifen Sie auf diese Einstellungen jeweils über die Reiter „Video“, „Audio“ und „About“ (Info) zu.

Näheres über den Reiter „About“ (Info) finden Sie im Abschnitt „Einstellungen ändern“ in diesem Handbuch.

Der „Video“-Reiter für den Mini Converter SDI to Analog 4K weist folgende Einstellungen auf.

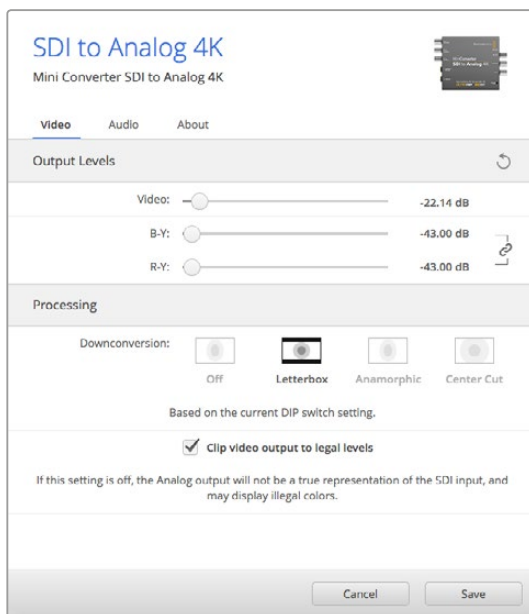
### „Output Levels“-Menü

In diesem Menü geben Sie Luminanz- und Chromawerte vor sowie die separate Einstellung der Luminanz- und Chroma-Werte der B-Y- und R-Y-Komponenten-Pegel.

### „Processing“-Menü

Im Bearbeitungsmenü geben Sie das Seitenverhältnis des abwärtskonvertierten Videos vor. Verfügbare Optionen sind „Letterbox“, „Anamorphic“, „Center Cut“ oder „No Processing“ (Keine Bearbeitung).

Dieses Kontrollkästchen „Clip video output to legal levels“ regelt das Abschneiden von Übersteuerungen der SDI-Eingabe, damit Ihre HDMI-Signale im zulässigen Pegelbereich bleiben. Es sollte standardmäßig aktiviert sein.

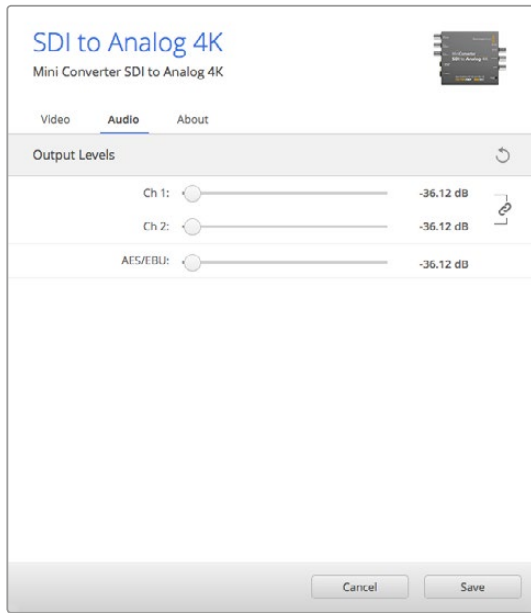


Über den „Video“-Reiter im Converter Setup passen Sie Ihre analogen Videopegel und Verarbeitungseinstellungen an

Der „Audio“-Reiter für den Mini Converter SDI to Analog 4K weist folgende Einstellungen auf.

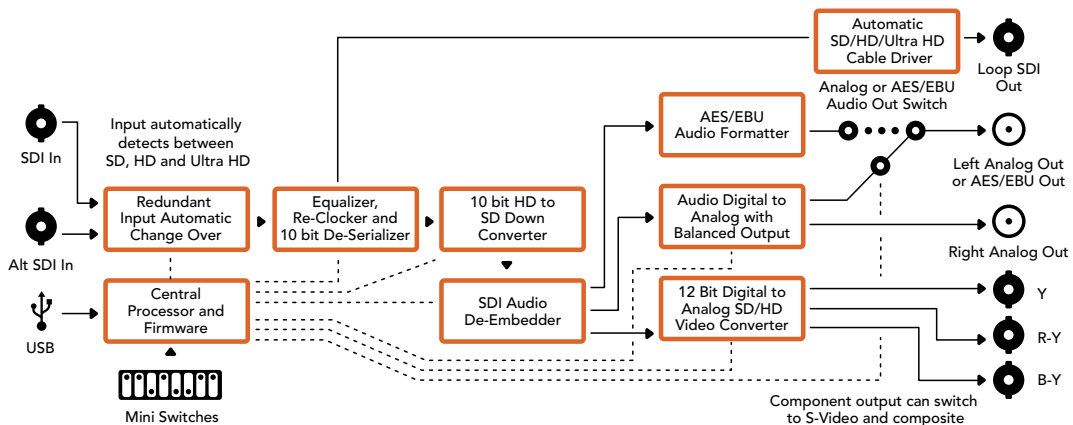
### „Output Levels“-Menü

Mit diesem Menü regulieren Sie „Gain“-Einstellungen (Verstärkung) für Ihre Audioeingabe. Sie können die Audiopegel für jeden Kanal einzeln oder, indem Sie das Link-Symbol neben den Schiebereglern aktivieren, auch gesammelt justieren. Klicken Sie auf das Reset-Symbol oben im „Output Levels“-Menü, um die Audiopegel auf 0 dB zurückzusetzen.



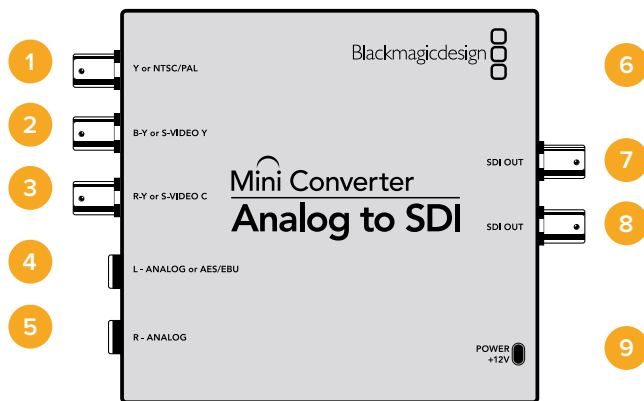
Analoge Audiopegel werden in Blackmagic Converters Setup über den „Audio“-Reiter angepasst

### Mini Converter SDI to Analog 4K Blockschaltbild



### Mini Converter Analog to SDI

Mit Ihrem Mini Converter Analog to SDI und dem Modell Analog to SDI Heavy Duty können Sie Video und Audio von Analoggeräten wie Betacam-SP-MAZen, HDV-Kameras und Spielekonsolen zu SD-/HD-SDI-Video konvertieren. Unterstützt werden mehrere analoge und digitale Eingabeformate, darunter Komponenten-SD-/HD, S-Video oder FBAS-NTSC und PAL. Über die HD-SDI-Ausgänge des Converters ist u.a. die Einbettung von digitalem AES/EBU- oder Analogaudio möglich.



## Anschlüsse

- 1 Y or NTSC/PAL**  
BNC-Buchse zur Eingabe von analogen Komponentensignalen Y oder FBAS-NTSC/PAL.
- 2 B-Y or S-VIDEO Y**  
BNC-Buchse zur Eingabe von analogen Komponentensignalen B-Y oder S-Video Y.
- 3 R-Y or S-VIDEO C**  
BNC-Buchse zur Eingabe von analogen Komponentensignalen R-Y oder S-Video C.
- 4 L - ANALOG or AES/EBU**  
1/4-Zoll-Klinkenbuchse für den linken Kanal für symmetrisches Analogaudio oder digitales AES/EBU-Audio.
- 5 R - ANALOG**  
1/4-Zoll-Klinkenbuchse für den rechten Kanal für symmetrische Analogaudio-Eingaben.
- 6 MINI-B USB PORT**  
Ermöglicht die Verbindung mit der Setup-Software des Konverters über einen Mac-OS-X- oder Windows-Computer. Die Produktsoftware der Mini Converter wird ebenfalls über den USB-Port aktualisiert.
- 7 SDI OUT**  
BNC-Buchse für ausgehende SDI-Videosignale.
- 8 SDI OUT**  
Sekundärer SDI-Ausgang.
- 9 POWER +12V**  
Strombuchse für 12V-Netzteil.

## Switches

**TIPP** Die Switches des Mini Converter Heavy Duty Modells sind mit einer Gummiabdeckung versehen. Heben Sie einfach die Abdeckung ab, um zu den Switches zu gelangen.

Die Switches am Mini Converter Analog to SDI erlauben folgende Einstellungen:

### Switch 8 – ANALOG AUDIO, AES/EBU AUDIO

Stellen Sie Switch 8 auf OFF, um symmetrisches Analogaudio auszuwählen oder auf ON, um digitales AES/EBU-Audio zu empfangen.

### Switch 7 – 7.5 IRE, 0.0 IRE

In den USA und anderen Ländern, wo NTSC mit einem IRE-Wert von 7,5 üblich ist, sollte Switch 7 auf OFF eingestellt sein. Sollten Sie in anderen Ländern arbeiten, in denen ein IRE-Wert von 7,5 unüblich ist – wie bspw. in Japan – setzen Sie Switch 7 auf ON. Diese Einstellung betrifft nur die Ausgabe von FBAS- oder S-Video-Signalen.

### Switch 6 – SMPTE LEVELS, BETACAM LEVELS

Diese Einstellung bietet die Wahl zwischen SMPTE- oder Betacam-Videopegeln. Stellen Sie Switch 6 für SMPTE-Pegel auf OFF oder für Betacam-Pegel auf ON. Da SMPTE-Pegel gebräuchlicher sind und sogar Betacam SP-MAZEN SMPTE-Pegel verarbeiten, sollte Betacam nur eingestellt werden, wenn tatsächlich Betacam-Pegel verwendet werden.

### Switch 5 – COMPONENT, COMPOSITE oder S-VIDEO

Stellen Sie Switch 5 auf OFF, um die Eingabe von analogem Komponentenvideo auszuwählen oder auf ON für die Analogeingabe von FBAS- und S-Video.

Mini Converter Analog to SDI		
	OFF	ON
8	ANALOG AUDIO	AES/EBU AUDIO
7	7.5 IRE	0.0 IRE
6	SMPTE LEVELS	BETACAM LEVELS
5	COMPONENT	COMPOSITE or S-VIDEO
4	COMPOSITE	S-VIDEO
3		
2		
1	PROCESSING OFF	PROCESSING ON

Die Switch-Legende am Boden Ihres Converters gibt Ihnen alle erforderlichen Informationen, um die Umwandlungseinstellungen zu verändern

### Switch 4 – COMPOSITE, S-VIDEO

Stellen Sie Switch 4 auf OFF, um die Eingabe von FBAS-Video auszuwählen oder auf ON für die Eingabe von S-Video.

### Switch 1 – PROCESSING OFF, PROCESSING ON

Dieser Switch wird nicht verwendet.

### Beispiel für Switch-Einstellungen

Experimentieren Sie mit den Switches: Stellen Sie für Ihren Blackmagic Mini Converter Switches 8 und 5 auf OFF, um Komponenten-Video und Analogaudio zu empfangen.

## Blackmagic Converters Setup Einstellungen

Mit dem Blackmagic Converters Setup Dienstprogramm können Einstellungen geändert und die Mini Converter Software aktualisiert werden. Greifen Sie auf diese Einstellungen jeweils über die Reiter „Video“, „Audio“ und „About“ (Info) zu.

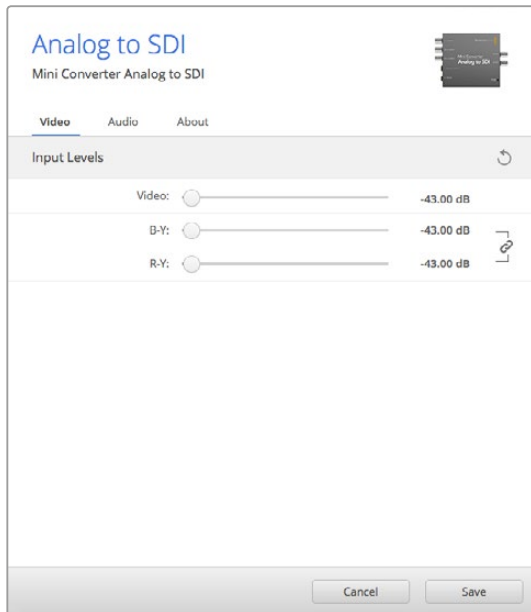
Näheres über den Reiter „About“ (Info) finden Sie im Abschnitt „Einstellungen ändern“ in diesem Handbuch.

Der „Video“-Reiter für den Mini Converter Analog to SDI weist folgende Einstellungen auf.

### „Input Levels“-Menü

In diesem Menü geben Sie Luminanz- und Chromawerte vor sowie die separate Einstellung der Luminanz- und Chroma-Werte der B-Y- und R-Y-Komponenten-Pegel.

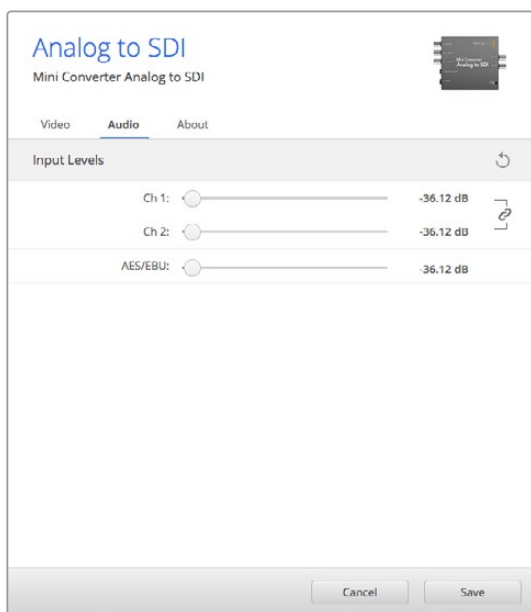
Der „Audio“-Reiter für den Mini Converter Analog to SDI weist folgende Einstellungen auf.



Über den „Video“-Reiter im Blackmagic Converters Setup passen Sie Videopegel an

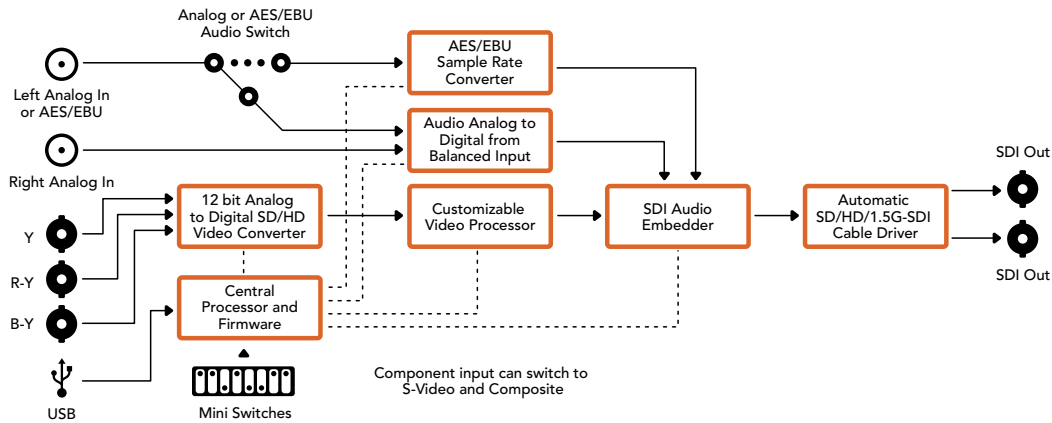
### „Input Levels“-Menü

Mit diesem Menü regulieren Sie „Gain“-Einstellungen (Verstärkung) für Ihre Audioeingabe. Sie können die Audiopegel für jeden Kanal einzeln oder, indem Sie das Link-Symbol neben den Schieberegler aktivieren, auch gesammelt justieren. Klicken Sie auf das Reset-Symbol oben im „Input Levels“-Menü, um die Audiopegel auf 0 dB zurückzusetzen.



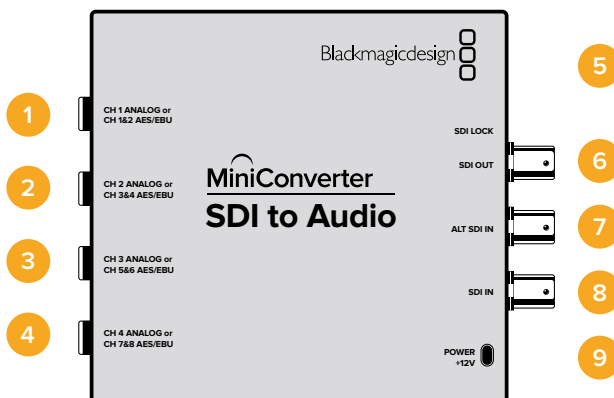
Analoge Audiopegel werden in Blackmagic Converters Setup über den „Audio“-Reiter angepasst

## Mini Converter Analog to SDI Blockschaltbild



## Mini Converter SDI to Audio

Mit dem Mini Converter SDI to Audio können Sie vier Audiokanäle auf aus beliebigen SDI-Videoquellen herauslösen, um sie in vier Analogaudio- oder in acht AES/EBU-Digitalaudio-Kanälen auszugeben. Geben Sie Signale an Audiogeräte wie Audiomixer, analoge MAZen und Referenzmonitore aus. Um zusätzliche SDI-Audiokanäle herauszulösen, können Sie einen weiteren Mini Converter SDI to Audio mit Ihrem vorhandenen Konverter in Reihe schalten, indem Sie das zweite Gerät an den SDI-Ausgang des ersten Geräts anschließen.



## Anschlüsse

- 1 CH 1 ANALOG or CH 1 & 2 AES/EBU**  
1/4-Zoll-Klinkenbuchse für symmetrisches Analogaudio auf Kanal 1 oder digitales AES/EBU-Audio auf Kanal 1 und 2.
- 2 CH 2 Analog or CH 3 & 4 AES/EBU**  
1/4-Zoll-Klinkenbuchse für symmetrisches Analogaudio auf Kanal 2 oder digitales AES/EBU-Audio auf Kanal 3 und 4.
- 3 CH 3 Analog or CH 5 & 6 AES/EBU**  
1/4-Zoll-Klinkenbuchse für symmetrisches Analogaudio auf Kanal 3 oder digitales AES/EBU-Audio auf Kanal 5 und 6.
- 4 CH 4 Analog or CH 7 & 8 AES/EBU**  
1/4-Zoll-Klinkenbuchse für symmetrisches Analogaudio auf Kanal 4 oder digitales AES/EBU-Audio auf Kanälen 7 und 8.



## 5 MINI-B USB PORT

Ermöglicht die Verbindung mit der Setup-Software des Konverters über einen Mac-OS-X- oder Windows-Computer. Die Produktsoftware der Mini Converter wird ebenfalls über den USB-Port aktualisiert.

## 6 SDI OUT

BNC-Buchse für durchgeschleifte ausgehende SDI-Videosignale.

## 7 ALT SDI IN

Der redundante SDI-Eingang dient als optionales Backup. Bei Einsatz beider Eingänge, SDI IN und ALT SDI IN, wird der alternative SDI-Eingang ALT SDI IN aktiviert, wenn das Signal auf SDI IN ausfällt. Sollte dies vorkommen, blinkt das Lämpchen SDI LOCK, um anzuzeigen, dass der Konverter auf den alternativen SDI-Eingang ALT SDI IN umgeschaltet hat.

## 8 SDI IN

Primärer SDI-Eingang.

## 9 POWER +12V

Strombuchse für 12V-Netzteil.

## Switches

Die Switches am Mini Converter SDI to Audio erlauben folgende Einstellungen:

### Switch 8 – ANALOG AUDIO, AES/EBU AUDIO

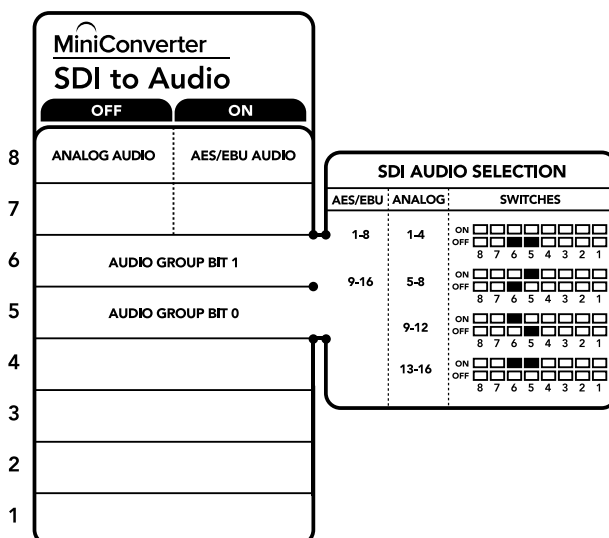
Stellen Sie Switch 8 auf OFF, um symmetrisches Analogaudio auszuwählen oder auf ON, um digitales AES/EBU-Audio auszugeben.

### Switch 6 – AUDIO GROUP BIT 1

Switches 6 und 5 liefern gesammelt vier ON/OFF-Kombinationen. Dies ermöglicht bis zu vier Vierlinge an analogen Audiokanälen oder zwei Sätze mit acht AES/EBU-Audiokanälen, die aus Ihrem SDI-Eingang herausgelöst werden.

### Switch 5 – AUDIO GROUP BIT 0

Siehe Erklärung für Switch 6.



Die Switch-Legende am Boden Ihres Konverters gibt Ihnen alle erforderlichen Informationen, um die Umwandlungseinstellungen zu verändern

## Beispiel für Switch-Einstellungen

Experimentieren Sie mit den Switches: Schalten Sie Switches 8, 6 und 5 auf OFF, um die analogen Audiokanäle 1 bis 4 auszuwählen.

## Auswahltabellen für Audio

Analoge Audiokanäle	Switch 6	Switch 5	Schaltdiagramm
1 bis 4	OFF	OFF	
5 bis 8	OFF	ON	
9 bis 12	ON	OFF	
13 bis 16	ON	ON	

Kanäle für AES/EBU	Switch 6	Switch 5	Schaltdiagramm
1 bis 8	OFF	OFF	
9 bis 16	OFF	ON	

## Blackmagic Converters Setup Einstellungen

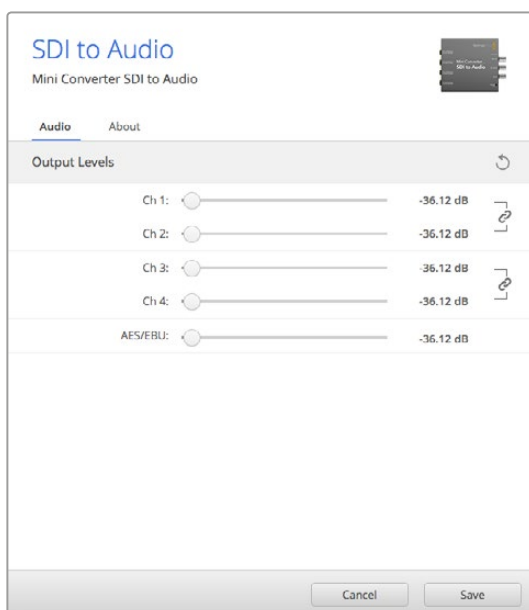
Mit dem Blackmagic Converters Setup Dienstprogramm können Einstellungen geändert und die Mini Converter Software aktualisiert werden. Greifen Sie auf diese Einstellungen jeweils über die Reiter „Audio“ und „About“ (Infos) zu.

Näheres über den Reiter „About“ (Info) finden Sie im Abschnitt „Einstellungen ändern“ in diesem Handbuch.

Der „Audio“-Reiter für den Mini Converter SDI to Audio weist folgende Einstellungen auf.

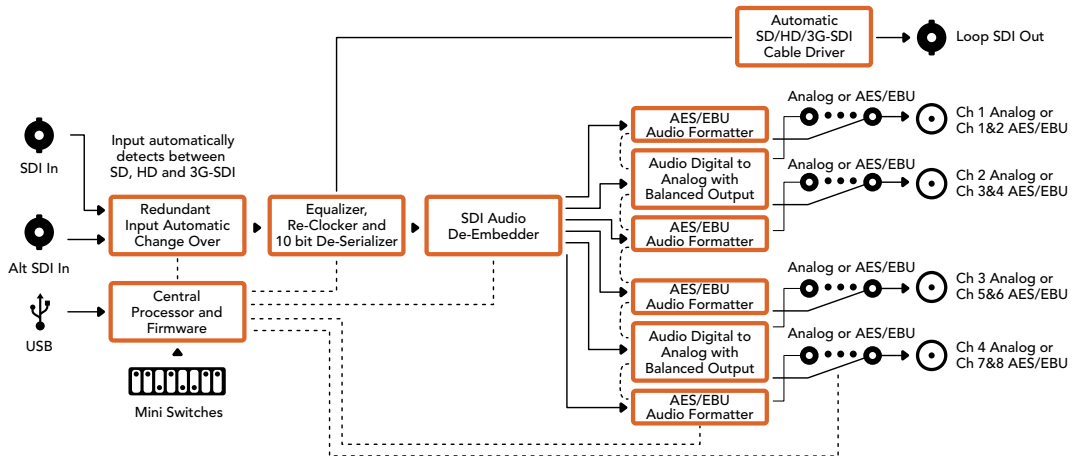
### „Output Levels“-Menü

Mit diesem Menü regulieren Sie „Gain“-Einstellungen (Verstärkung) für Ihre Audioausgabe. Sie können die Audiopegel für jeden Kanal einzeln oder, indem Sie das Link-Symbol neben den Schieberegler aktivieren, auch als Kanalpaare justieren. Klicken Sie auf das Reset-Symbol oben im „Output Levels“-Menü, um die Audiopegel auf 0 dB zurückzusetzen.



Audiopegel werden in Blackmagic Converters Setup über den „Audio“-Reiter angepasst

## Mini Converter SDI to Audio Blockschaltbild



## Mini Converter SDI to Audio 4K

Mit dem Mini Converter SDI to Audio 4K können Sie vier Audiokanäle aus beliebigen SDI-Videoquellen herauslösen, um sie in vier Kanälen Analogaudio oder in acht digitalen AES/EBU-Kanälen auszugeben. Geben Sie Signale an Audiogeräte wie Audiomixer, analoge MAZen und Referenzmonitore aus. Um zusätzliche SDI-Audiokanäle herauszulösen, können Sie einen weiteren Mini Converter SDI to Audio 4K mit Ihrem vorhandenen Konverter in Reihe schalten, indem Sie das zweite Gerät an seinen SDI-Ausgang anschließen.



## Anschlüsse

- 1 CH 1 ANALOG or CH 1 & 2 AES/EBU**  
1/4-Zoll-Klinkenbuchse für symmetrisches Analogaudio auf Kanal 1 oder digitales AES/EBU-Audio auf Kanal 1 und 2.
- 2 CH 2 Analog or CH 3 & 4 AES/EBU**  
1/4-Zoll-Klinkenbuchse für symmetrisches Analogaudio auf Kanal 2 oder digitales AES/EBU-Audio auf Kanal 3 und 4.
- 3 CH 3 Analog or CH 5 & 6 AES/EBU**  
1/4-Zoll-Klinkenbuchse für symmetrisches Analogaudio auf Kanal 3 oder digitales AES/EBU-Audio auf Kanal 5 und 6.
- 4 CH 4 Analog or CH 7 & 8 AES/EBU**  
1/4-Zoll-Klinkenbuchse für symmetrisches Analogaudio auf Kanal 4 oder digitales AES/EBU-Audio auf Kanälen 7 und 8.

## 5 MINI-B USB PORT

Ermöglicht die Verbindung mit der Setup-Software des Konverters über einen Mac-OS-X- oder Windows-Computer. Die Produktsoftware der Mini Converter wird ebenfalls über den USB-Port aktualisiert.

## 6 SDI OUT

BNC-Buchse für durchgeschleifte ausgehende SDI-Videosignale.

## 7 ALT SDI IN

Der redundante SDI-Eingang dient als optionales Backup. Bei Einsatz beider Eingänge, SDI IN und ALT SDI IN, wird der alternative SDI-Eingang ALT SDI IN aktiviert, wenn das Signal auf SDI IN ausfällt. Sollte dies vorkommen, blinkt das Lämpchen SDI LOCK, um anzuzeigen, dass der Konverter auf den alternativen SDI-Eingang ALT SDI IN umgeschaltet hat.

## 8 SDI IN

Primärer SDI-Eingang.

## 9 POWER +12V

Strombuchse für 12V-Netzteil.

## Switches

Die Switches am Mini Converter SDI to Audio 4K ermöglichen folgende Einstellungen:

### Switch 8 – ANALOG AUDIO, AES/EBU AUDIO

Stellen Sie Switch 8 auf OFF, um symmetrisches Analogaudio auszuwählen oder auf ON, um digitales AES/EBU-Audio auszugeben.

### Switch 6 – AUDIO GROUP BIT 1

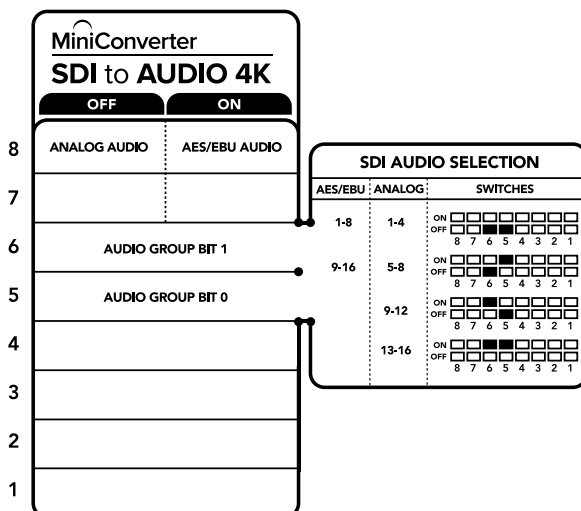
Switches 6 und 5 liefern gesammelt vier ON/OFF-Kombinationen. Dies ermöglicht bis zu vier Vierlinge an analogen Audiokanälen oder zwei Sätze mit acht AES/EBU-Audiokanälen, die aus Ihrem SDI-Eingang herausgelöst werden.

### Switch 5 – AUDIO GROUP BIT 0

Siehe Erklärung für Switch 6.

## Beispiel für Switch-Einstellungen

Experimentieren Sie mit den Switches: Um die analogen Audiokanäle 1 bis 4 auszuwählen, legen Sie Switches 8, 6 und 5 auf OFF.



Die Schalterlegende am Boden Ihres Konverters gibt Ihnen alle erforderlichen Informationen, um die Umwandlungseinstellungen zu verändern

## Auswahltabellen für Audio

Analoge Audiokanäle	Switch 6	Switch 5	Schaltdiagramm
1 bis 4	OFF	OFF	ON OFF <input type="checkbox"/> <input type="checkbox"/> <input type="checkbox"/> <input type="checkbox"/> <input type="checkbox"/> <input type="checkbox"/> <input type="checkbox"/> <input type="checkbox"/> 8 7 6 5 4 3 2 1
5 bis 8	OFF	ON	ON OFF <input type="checkbox"/> <input type="checkbox"/> <input type="checkbox"/> <input type="checkbox"/> <input checked="" type="checkbox"/> <input checked="" type="checkbox"/> <input checked="" type="checkbox"/> <input checked="" type="checkbox"/> 8 7 6 5 4 3 2 1
9 bis 12	ON	OFF	ON OFF <input checked="" type="checkbox"/> <input checked="" type="checkbox"/> <input checked="" type="checkbox"/> <input checked="" type="checkbox"/> <input type="checkbox"/> <input type="checkbox"/> <input type="checkbox"/> <input type="checkbox"/> 8 7 6 5 4 3 2 1
13 bis 16	ON	ON	ON OFF <input checked="" type="checkbox"/> <input checked="" type="checkbox"/> <input checked="" type="checkbox"/> <input checked="" type="checkbox"/> <input checked="" type="checkbox"/> <input checked="" type="checkbox"/> <input checked="" type="checkbox"/> <input checked="" type="checkbox"/> 8 7 6 5 4 3 2 1

Kanäle für AES/EBU	Switch 6	Switch 5	Schaltdiagramm
1 bis 8	OFF	OFF	ON OFF <input type="checkbox"/> <input type="checkbox"/> <input type="checkbox"/> <input type="checkbox"/> <input type="checkbox"/> <input type="checkbox"/> <input type="checkbox"/> <input type="checkbox"/> 8 7 6 5 4 3 2 1
9 bis 16	OFF	ON	ON OFF <input type="checkbox"/> <input type="checkbox"/> <input checked="" type="checkbox"/> <input checked="" type="checkbox"/> <input checked="" type="checkbox"/> <input checked="" type="checkbox"/> <input checked="" type="checkbox"/> <input checked="" type="checkbox"/> 8 7 6 5 4 3 2 1

## Blackmagic Converters Setup Einstellungen

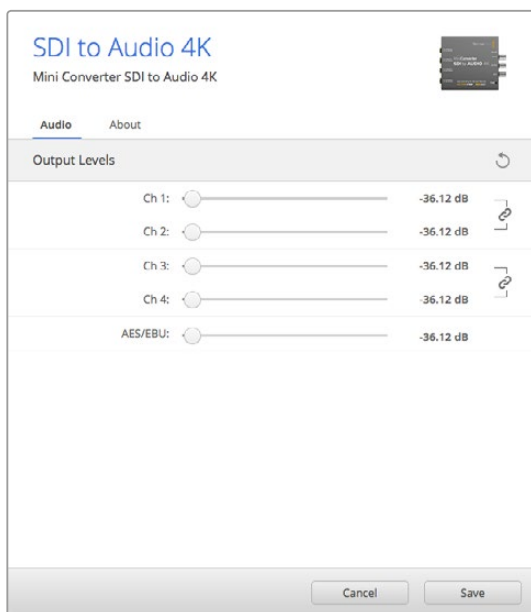
Mit dem Blackmagic Converters Setup Dienstprogramm können Einstellungen geändert und die Mini Converter Software aktualisiert werden. Greifen Sie auf diese Einstellungen jeweils über die Reiter „Audio“ und „About“ (Infos) zu.

Näheres über den Reiter „About“ (Info) finden Sie im Abschnitt „Einstellungen ändern“ in diesem Handbuch.

Der „Audio“-Reiter für den Mini Converter SDI to Audio 4K weist folgende Einstellungen auf.

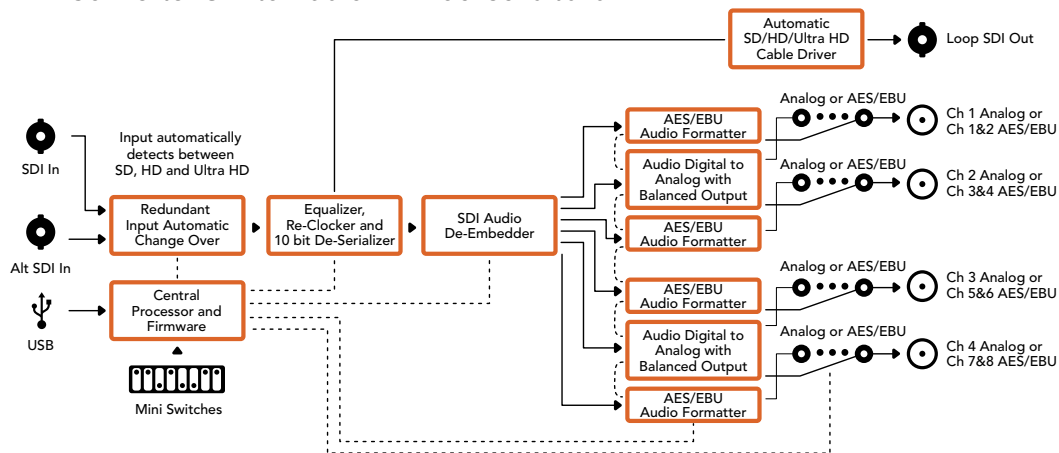
### „Output Levels“-Menü

Mit diesem Menü regulieren Sie „Gain“-Einstellungen (Verstärkung) für Ihre Audioausgabe. Sie können die Audiopegel für jeden Kanal einzeln oder, indem Sie das Link-Symbol neben den Schiebereglern aktivieren, auch als Kanalpaare justieren. Klicken Sie auf das Reset-Symbol oben im „Output Levels“-Menü, um die Audiopegel auf 0 dB zurückzusetzen.



Analoge Audiopegel werden in Blackmagic Converters Setup über den „Audio“-Reiter angepasst

## Mini Converter SDI to Audio 4K Blockschaltbild



## Mini Converter Audio to SDI

Mit dem Mini Converter Audio to SDI können Sie vier Kanäle Analogaudio oder acht Kanäle digitales AES/EBU-Audio in beliebige SDI-Videoquellen einbetten. Dieser Mini Converter gestattet Ihnen, eingehendes Audio von Geräten wie Audiomixern und analogen MAZen in SDI-Videoquellen einzubetten, die mit SDI-Kreuzschienen und MAZen verwendet werden. Um zusätzliche SDI-Audiokanäle einzubetten, können Sie einen weiteren Mini Converter Audio to SDI mit Ihrem vorhandenen Converter in Reihe schalten, indem Sie das zweite Gerät an seinen SDI-Ausgang anschließen.



## Anschlüsse

- 1 CH 1 Analog or CH 1 & 2 AES/EBU**  
1/4-Zoll-Klinkenbuchse für symmetrisches Analogaudio auf Kanal 1 oder digitales AES/EBU-Audio auf Kanälen 1 und 2.
- 2 CH 2 Analog or CH 3 & 4 AES/EBU**  
1/4-Zoll-Klinkenbuchse für symmetrisches Analogaudio auf Kanal 2 oder digitales AES/EBU-Audio auf Kanal 3 und 4.
- 3 CH 3 Analog or CH 5 & 6 AES/EBU**  
1/4-Zoll-Klinkenbuchse für symmetrisches Analogaudio auf Kanal 3 oder digitales AES/EBU-Audio auf Kanälen 5 und 6.
- 4 CH 4 Analog or CH 7 & 8 AES/EBU**  
1/4-Zoll-Klinkenbuchse für symmetrisches Analogaudio auf Kanal 4 oder digitales AES/EBU-Audio auf Kanälen 7 und 8.
- 5 MINI-B USB PORT**  
Ermöglicht die Verbindung mit der Setup-Software des Converters über einen Mac-OS-X- oder Windows-Computer. Die Produktsoftware der Mini Converter wird ebenfalls über den USB-Port aktualisiert.

## 6 SDI OUT

BNC-Buchse für durchgeschleifte ausgehende SDI-Videosignale.

## 7 ALT SDI IN

Der redundante SDI-Eingang dient als optionales Backup. Bei Einsatz beider Eingänge, SDI IN und ALT SDI IN, wird der alternative SDI-Eingang ALT SDI IN aktiviert, wenn das Signal auf SDI IN ausfällt. Sollte dies vorkommen, blinkt das Lämpchen SDI LOCK, um anzuzeigen, dass der Konverter auf den alternativen SDI-Eingang ALT SDI IN umgeschaltet hat.

## 8 SDI IN

Primärer SDI-Eingang.

## 9 POWER +12V

Strombuchse für 12V-Netzteil.

## Switches

Die Switches am Mini Converter Audio to SDI erlauben folgende Einstellungen:

### Switch 8 – ANALOG AUDIO, AES/EBU AUDIO

Stellen Sie Switch 8 auf OFF, um symmetrisches Analogaudio auszuwählen oder auf ON, um digitales AES/EBU-Audio zu empfangen.

### Switch 7 – SAMPLE RATE CONVERSION, NO SAMPLE RATE CONVERSION

Stellen Sie Switch 7 auf OFF, um die Konvertierung der Abtastrate zu aktivieren oder auf ON, damit die Abtastrate nicht konvertiert wird. Dieser Switch sollte fast ausnahmslos auf OFF stehen, da dies die Einbettung von Audio mit der korrekten Abtastrate für die Fernseh wiedergabe gewährleistet.

Steht Switch 7 auf OFF, so wird die Abtastrate Ihres Analog- oder AES-EBU-Audios mit einer Abtastrate von 48 kHz in die SDI-Ausgabe eingebettet. Steht Switch 7 auf ON, dann wird die Konvertierung mit dieser Abtastrate deaktiviert und Audio mit der ursprünglichen Abtastrate in Übereinstimmung mit Ihrer Audioeingabe ausgegeben.

### Switch 6 – AUDIO GROUP BIT 1

Switches 6 und 5 liefern gesammelt vier ON/OFF-Kombinationen. Mit vier verschiedenen Kombinationen lassen sich bis zu vier analoge oder acht AES/EBU-Audiokanäle in Ihre SDI-Ausgabe einbetten.

### Switch 5 – AUDIO GROUP BIT 0

Siehe Erklärung für Switch 6.

### Auswahltabelle für Audio

Analoge Audiokanäle	Switch 6	Switch 5	Schaltdiagramm
1 bis 4	OFF	OFF	
5 bis 8	OFF	ON	
9 bis 12	ON	OFF	
13 bis 16	ON	ON	
Kanäle für AES/EBU	Switch 6	Switch 5	Schaltdiagramm
1 bis 8	OFF	OFF	
9 bis 16	OFF	ON	

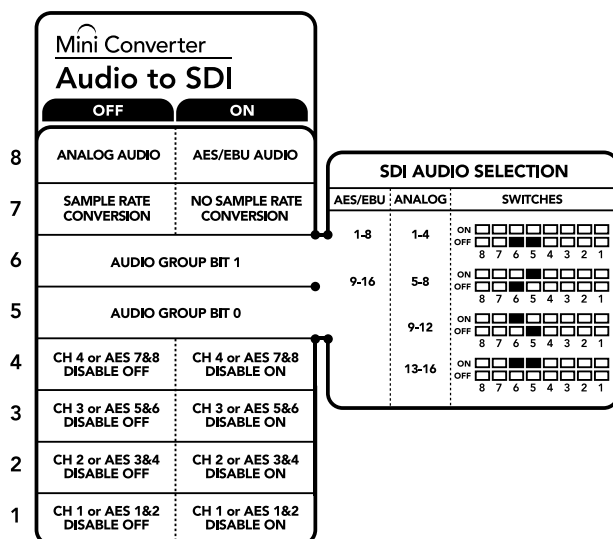
## Kanäle einbetten oder deaktivieren

Geben Sie nach erfolgter Auswahl Ihrer Audiokanäle über Switches 4, 3, 2 und 1 vor, welche Kanäle eingebettet oder deaktiviert werden sollen. Durch die Deaktivierungseinstellung können Sie verhindern, dass erwünschte Audiokanäle in Ihrem SDI-Signal überschrieben werden.

Bspw. lassen sich der analoge Audiokanal 1 oder AES/EBU-Kanäle 1 und 2 deaktivieren, indem Sie Switch 1 auf ON stellen. Alternativ können Sie Audiokanäle einbetten, indem Sie Switch 1 auf OFF stellen.

### Einstellungen zum Herauslösen oder Deaktivieren von Audiokanälen

Switch	Einstellung	Audiokanäle
4	ON	Analogen Kanal CH 4 und AES/EBU-Kanäle CH 7 und 8 deaktivieren
	OFF	Analogen Kanal CH 4 und AES/EBU-Kanäle CH 7 und 8 einbetten
3	ON	Analogen Kanal CH 3 und AES/EBU-Kanäle CH 5 und 6 deaktivieren
	OFF	Analogen Kanal CH 3 und AES/EBU-Kanäle CH 5 und 6 einbetten
2	ON	Analogen Kanal CH 2 und AES/EBU-Kanäle CH 3 und 4 deaktivieren
	OFF	Analogen Kanal CH 2 und AES/EBU-Kanäle CH 3 und 4 einbetten
1	ON	Analogen Kanal CH 1 und AES/EBU-Kanäle CH 1 und 2 deaktivieren
	OFF	Analogen Kanal CH 1 und AES/EBU-Kanäle CH 1 und 2 einbetten



Die Switch-Legende am Boden Ihres Converters gibt Ihnen alle erforderlichen Informationen, um die Umwandlungseinstellungen zu verändern

### Beispiel für Switch-Einstellungen:

Experimentieren Sie mit den Switches: Schalten Sie Switches 8, 6 und 5 auf OFF, um die analogen Audiokanäle 1 bis 4 auszuwählen.



## Blackmagic Converters Setup Einstellungen

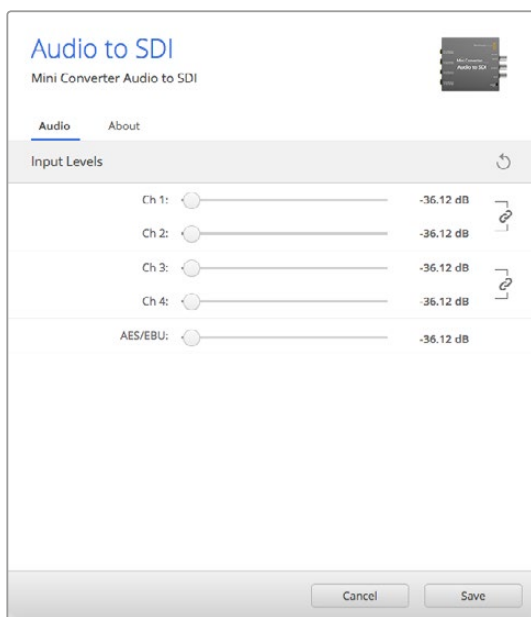
Mit dem Blackmagic Converters Setup Dienstprogramm können Einstellungen geändert und die Mini Converter Software aktualisiert werden. Greifen Sie auf diese Einstellungen jeweils über die Reiter „Audio“ und „About“ (Infos) zu.

Näheres über den Reiter „About“ (Info) finden Sie im Abschnitt „Einstellungen ändern“ in diesem Handbuch.

Der „Audio“-Reiter für den Mini Converter Audio to SDI weist folgende Einstellungen auf.

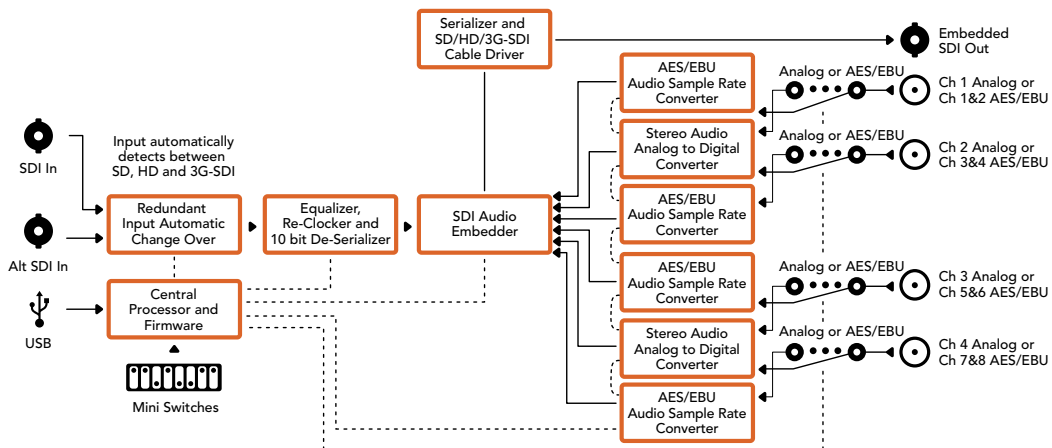
### „Input Levels“-Menü

Mit diesem Menü lassen sich die „Gain“-Einstellungen für Ihre Audio-Eingabe vorgeben. Sie können die Audiopegel für jeden Kanal einzeln oder, indem Sie das Link-Symbol neben den Schiebereglern aktivieren, auch als Kanalpaare justieren. Klicken Sie auf das Reset-Symbol oben im „Output Levels“-Menü, um die Audiopegel auf 0 dB zurückzusetzen.



Analoge Audiopegel werden in Blackmagic Converters Setup über den „Audio“-Reiter angepasst

### Mini Converter Audio to SDI Blockschaltbild



## Mini Converter Audio to SDI 4K

Mit dem Mini Converter Audio to SDI 4K können Sie vier Kanäle Analogaudio oder acht Kanäle digitales AES/EBU-Audio in beliebige SDI-Videoquellen einbetten. Dieser Mini Converter gestattet Ihnen, eingehendes Audio von Geräten wie Audiomixern und analogen MAZen in SDI-Videoquellen einzubetten, die mit SDI-Kreuzschienen und MAZen verwendet werden. Um zusätzliche SDI-Audiokanäle einzubetten, können Sie einen weiteren Mini Converter Audio to SDI 4K mit Ihrem vorhandenen Konverter in Reihe schalten, indem Sie das zweite Gerät an seinen SDI-Ausgang anschließen.



## Anschlüsse

- 1 CH 1 Analog or CH 1 & 2 AES/EBU**  
1/4-Zoll-Klinkenbuchse für symmetrisches Analogaudio auf Kanal 1 oder digitales AES/EBU-Audio auf Kanälen 1 und 2.
- 2 CH 2 Analog or CH 3 & 4 AES/EBU**  
1/4-Zoll-Klinkenbuchse für symmetrisches Analogaudio auf Kanal 2 oder digitales AES/EBU-Audio auf Kanal 3 und 4.
- 3 CH 3 Analog or CH 5 & 6 AES/EBU**  
1/4-Zoll-Klinkenbuchse für symmetrisches Analogaudio auf Kanal 3 oder digitales AES/EBU-Audio auf Kanälen 5 und 6.
- 4 CH 4 Analog or CH 7 & 8 AES/EBU**  
1/4-Zoll-Klinkenbuchse für symmetrisches Analogaudio auf Kanal 4 oder digitales AES/EBU-Audio auf Kanälen 7 und 8.
- 5 MINI-B USB PORT**  
Ermöglicht die Verbindung mit der Setup-Software des Konverters über einen Mac-OS-X- oder Windows-Computer. Die Produktsoftware der Mini Converter wird ebenfalls über den USB-Port aktualisiert.
- 6 SDI OUT**  
BNC-Buchse für durchgeschleifte ausgehende SDI-Videosignale.
- 7 ALT SDI IN**  
Der redundante SDI-Eingang dient als optionales Backup. Bei Einsatz beider Eingänge, SDI IN und ALT SDI IN, wird der alternative SDI-Eingang ALT SDI IN aktiviert, wenn das Signal auf SDI IN ausfällt. Sollte dies vorkommen, blinkt das Lämpchen SDI LOCK, um anzuzeigen, dass der Konverter auf den alternativen SDI-Eingang ALT SDI IN umgeschaltet hat.
- 8 SDI IN**  
Primärer SDI-Eingang.
- 9 POWER +12V**  
Strombuchse für 12V-Netzteil.

## Switches

Die Switches am Mini Converter Audio to SDI 4K ermöglichen folgende Einstellungen:

### Switch 8 – ANALOG AUDIO, AES/EBU AUDIO

Stellen Sie Switch 8 auf OFF, um symmetrisches Analogaudio auszuwählen oder auf ON, um digitales AES/EBU-Audio zu empfangen.

### Switch 7 – SAMPLE RATE CONVERSION, NO SAMPLE RATE CONVERSION

Stellen Sie Switch 7 auf OFF, um die Konvertierung der Abtastrate zu aktivieren oder auf ON, damit die Abtastrate nicht konvertiert wird. Dieser Switch sollte fast ausnahmslos auf OFF stehen, da dies die Einbettung von Audio mit der korrekten Abtastrate für die Fernseh wiedergabe gewährleistet.

Steht Switch 7 auf OFF, so wird die Abtastrate Ihres Analog- oder AES-EBU-Audios mit einer Abtastrate von 48 kHz in die SDI-Ausgabe eingebettet. Steht Switch 7 auf ON, dann wird die Konvertierung mit dieser Abtastrate deaktiviert und Audio mit der ursprünglichen Abtastrate in Übereinstimmung mit Ihrer Audioeingabe ausgegeben.

### Switch 6 – AUDIO GROUP BIT 1

Switches 6 und 5 liefern gesammelt vier ON/OFF-Kombinationen. Mit vier verschiedenen Kombinationen lassen sich bis zu vier analoge oder acht AES/EBU-Audiokanäle in Ihre SDI-Ausgabe einbetten.

### Switch 5 – AUDIO GROUP BIT 0

Siehe Erklärung für Switch 6.

### Auswahltabelle für Audio

Analoge Audiokanäle	Switch 6	Switch 5	Schaltdiagramm
1 bis 4	OFF	OFF	ON OFF <input type="checkbox"/> <input type="checkbox"/> <input type="checkbox"/> <input type="checkbox"/> <input type="checkbox"/> <input type="checkbox"/> <input type="checkbox"/> <input type="checkbox"/> 8 7 6 5 4 3 2 1
5 bis 8	OFF	ON	ON OFF <input type="checkbox"/> <input type="checkbox"/> <input checked="" type="checkbox"/> <input checked="" type="checkbox"/> <input type="checkbox"/> <input type="checkbox"/> <input type="checkbox"/> <input type="checkbox"/> 8 7 6 5 4 3 2 1
9 bis 12	ON	OFF	ON OFF <input checked="" type="checkbox"/> <input checked="" type="checkbox"/> <input type="checkbox"/> <input type="checkbox"/> <input type="checkbox"/> <input type="checkbox"/> <input type="checkbox"/> <input type="checkbox"/> 8 7 6 5 4 3 2 1
13 bis 16	ON	ON	ON OFF <input checked="" type="checkbox"/> <input checked="" type="checkbox"/> <input checked="" type="checkbox"/> <input checked="" type="checkbox"/> <input type="checkbox"/> <input type="checkbox"/> <input type="checkbox"/> <input type="checkbox"/> 8 7 6 5 4 3 2 1
Kanäle für AES/EBU	Switch 6	Switch 5	Schaltdiagramm
1 bis 8	OFF	OFF	ON OFF <input type="checkbox"/> <input type="checkbox"/> <input type="checkbox"/> <input type="checkbox"/> <input type="checkbox"/> <input type="checkbox"/> <input type="checkbox"/> <input type="checkbox"/> 8 7 6 5 4 3 2 1
9 bis 16	OFF	ON	ON OFF <input type="checkbox"/> <input type="checkbox"/> <input checked="" type="checkbox"/> <input checked="" type="checkbox"/> <input type="checkbox"/> <input type="checkbox"/> <input type="checkbox"/> <input type="checkbox"/> 8 7 6 5 4 3 2 1

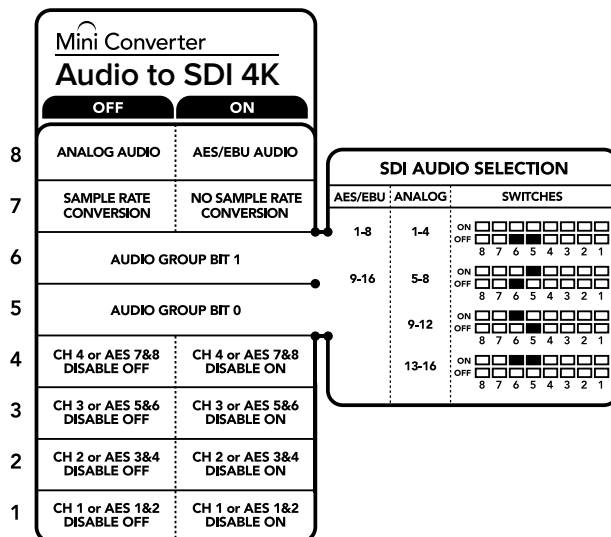
## Kanäle einbetten oder deaktivieren

Geben Sie nach erfolgter Auswahl Ihrer Audiokanäle über Switches 4, 3, 2 und 1 vor, welche Kanäle eingebettet oder deaktiviert werden sollen. Durch die Deaktivierungseinstellung können Sie verhindern, dass erwünschte Audiokanäle in Ihrem SDI-Signal überschrieben werden.

Bspw. lassen sich der analoge Audiokanal 1 oder AES/EBU-Kanäle 1 und 2 deaktivieren, indem Sie Switch 1 auf ON stellen. Alternativ können Sie Audiokanäle einbetten, indem Sie Switch 1 auf OFF stellen.

## Einstellungen zum Herauslösen oder Deaktivieren von Audiokanälen

Switch	Einstellung	Audiokanäle
4	ON	Analogen Kanal CH 4 und AES/EBU-Kanäle CH 7 und 8 deaktivieren
	OFF	Analogen Kanal CH 4 und AES/EBU-Kanäle CH 7 und 8 einbetten
3	ON	Analogen Kanal CH 3 und AES/EBU-Kanäle CH 5 und 6 deaktivieren
	OFF	Analogen Kanal CH 3 und AES/EBU-Kanäle CH 5 und 6 einbetten
2	ON	Analogen Kanal CH 2 und AES/EBU-Kanäle CH 3 und 4 deaktivieren
	OFF	Analogen Kanal CH 2 und AES/EBU-Kanäle CH 3 und 4 einbetten
1	ON	Analogen Kanal CH 1 und AES/EBU-Kanäle CH 1 und 2 deaktivieren
	OFF	Analogen Kanal CH 1 und AES/EBU-Kanäle CH 1 und 2 einbetten



Die Switch-Legende am Boden Ihres Converters gibt Ihnen alle erforderlichen Informationen, um die Umwandlungseinstellungen zu verändern

## Beispiel für Switch-Einstellungen

Experimentieren Sie mit den Switches: Schalten Sie Switches 8, 6 und 5 auf OFF, um die analogen Audiokanäle 1 bis 4 auszuwählen.

## Blackmagic Converters Setup Einstellungen

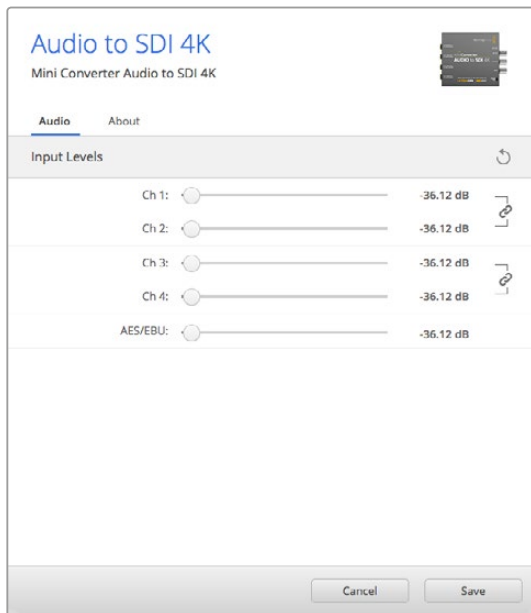
Mit dem Blackmagic Converters Setup Dienstprogramm können Einstellungen geändert und die Mini Converter Software aktualisiert werden. Greifen Sie auf diese Einstellungen jeweils über die Reiter „Audio“ und „About“ (Infos) zu.

Näheres über den Reiter „About“ (Info) finden Sie im Abschnitt „Einstellungen ändern“ in diesem Handbuch.

Der „Audio“-Reiter für den Mini Converter Audio to SDI 4K weist folgende Einstellungen auf.

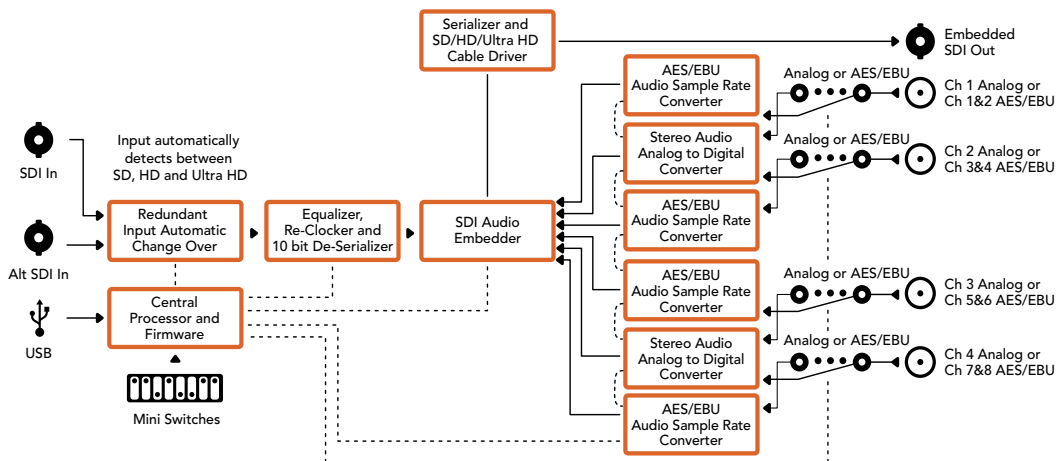
## „Input Levels“-Menü

Mit diesem Menü lassen sich die „Gain“-Einstellungen für Ihre Audio-Eingabe vorgeben. Sie können die Audiopegel für jeden Kanal einzeln oder, indem Sie das Link-Symbol neben den Schiebereglern aktivieren, auch als Kanalpaare justieren. Klicken Sie auf das Reset-Symbol oben im „Output Levels“-Menü, um die Audiopegel auf 0 dB zurückzusetzen.



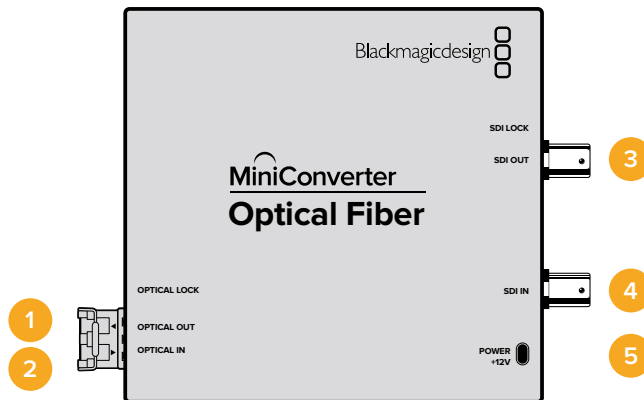
Analoge Audiopegel werden in Blackmagic Converters Setup über den „Audio“-Reiter angepasst

## Mini Converter Audio to SDI 4K Blockschaltbild



## Mini Converter Optical Fiber

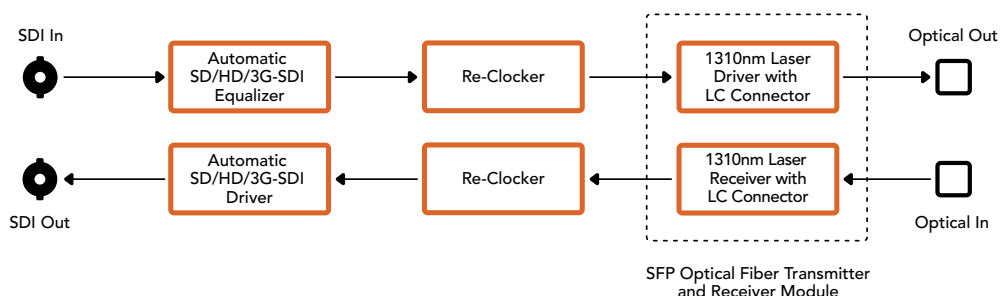
Mit dem Mini Converter Optical Fiber konvertieren Sie SDI nach Glasfaser und Glasfaser nach SDI simultan. Der Mini Converter Optical Fiber schaltet automatisch zwischen den Videostandards SD, HD und 3G-SDI um. Jede Richtung arbeitet dabei komplett unabhängig. Verwenden Sie diesen Konverter, wenn Sie SDI-Signale über große Entfernungen senden oder empfangen müssen, die herkömmliche SDI-Kabel nicht unterstützen. Mit Glasfaser lässt sich SDI-Video über Entfernungen von bis zu 45 km senden im Gegensatz zu lediglich 90 Metern mit SDI-Kupferkabeln. 3G-SD-Signale können an bis zu 25 km entfernte Zielorte gesendet werden!



## Anschlüsse

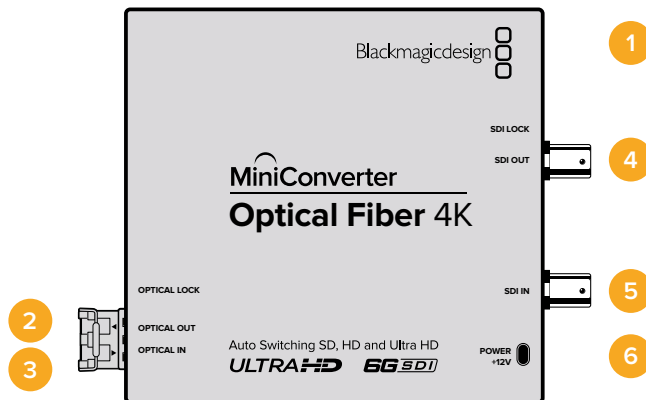
- 1 OPTICAL OUT**  
Glasfaserausgang unterstützt Singlemode-Glasfaserkabel mit einem LC-Verbinder.
- 2 OPTICAL IN**  
Glasfaserzugang unterstützt Singlemode-Glasfaserkabel mit einem LC-Verbinder.
- 3 3G-SDI OUT**  
BNC-Buchse für ausgehende SDI-Videosignale zum Anschluss an herkömmliches SDI-Equipment.
- 4 3G-SDI IN**  
BNC-Buchse für eingehende SDI-Signale zum Anschluss an herkömmliches SDI-Equipment.
- 5 POWER +12V**  
Strombuchse für 12V-Netzteil.

## Mini Converter Optical Fiber Blockschaltbild



## Mini Converter Optical Fiber 4K

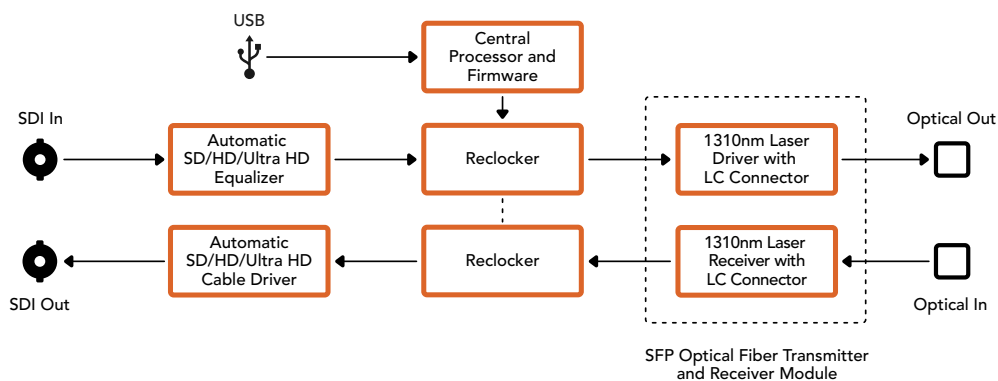
Konvertieren Sie SD/HD und Single Link 6G-SDI nach Glasfaser und Glasfaser nach SD/HD und Single Link 6G-SDI simultan. Der Mini Converter Optical Fiber 4K schaltet automatisch zwischen den Videostandards SD, HD, 3G- und 6G-SDI um. Jede Richtung arbeitet dabei komplett unabhängig. Verwenden Sie diesen Konverter, wenn Sie SDI-Signale über große Entfernungen senden oder empfangen müssen, die herkömmliche SDI-Kabel nicht unterstützen. Mit Glasfaser lässt sich SDI-Video über Entfernungen von bis zu 45 km senden im Gegensatz zu lediglich 90 Metern mit SDI-Kupferkabeln. 6G-SD-Signale können an bis zu 12 km entfernte Zielorte gesendet werden!



## Anschlüsse

- 1 Mini-B USB Port**  
Die Produktsoftware der Mini Converter wird über den USB-Port aktualisiert.
- 2 OPTICAL OUT**  
Glasfaserausgang unterstützt Singlemode-Glasfaserkabel mit einem LC-Verbinder.
- 3 OPTICAL IN**  
Glasfasereingang unterstützt Singlemode-Glasfaserkabel mit einem LC-Verbinder.
- 4 SDI OUT**  
BNC-Buchse für ausgehende SDI-Videosignale zum Anschluss an herkömmliches SDI-Equipment.
- 5 SDI IN**  
BNC-Buchse für eingehende SDI-Signale zum Anschluss an herkömmliches SDI-Equipment.
- 6 POWER +12V**  
Strombuchse für 12V-Netzteil.

## Mini Converter Optical Fiber 4K Blockschaltbild



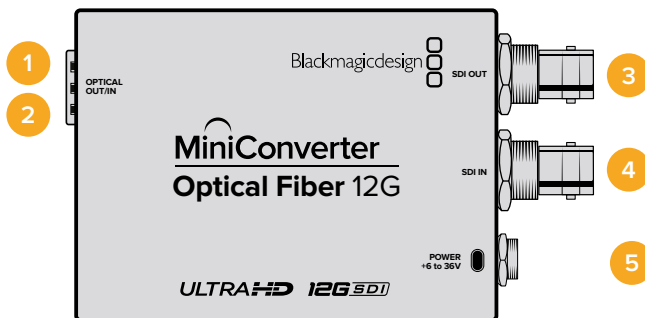
## Mini Converter Optical Fiber 12G

Dieser Konverter wandelt SD- und HD-Video bis 12G-SDI in optische Signale sowie optische Signale in 12G-SDI, und zwar in beide Richtungen gleichzeitig.

Die SFP-Buchse kann mit einem kompatiblen SFP-Glasfasermodul ausgestattet werden, das Video bei bis zu 3G-, 6G- oder 12G-SDI unterstützt.

Ihr Konverter erkennt das Videoeingabeformat automatisch und legt das entsprechende Ausgabeformat fest. Beide Richtungen laufen komplett unabhängig voneinander.

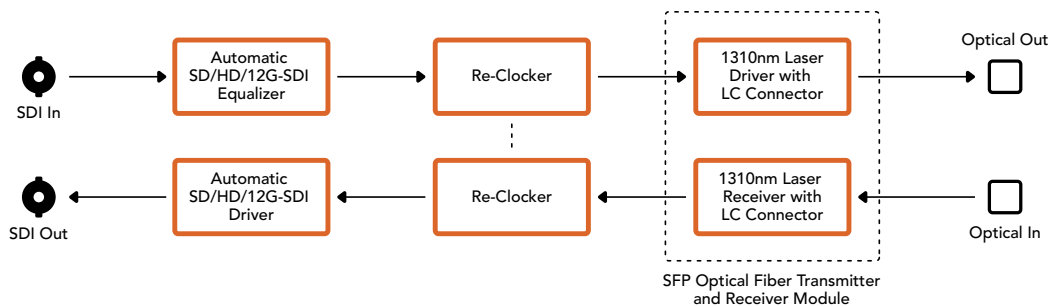
Dieser Konverter ist praktisch, wenn Sie SDI-Signale über große Entfernungen senden oder empfangen müssen, die herkömmliche SDI-Kabel nicht unterstützen. Beispiel: Mit Glasfaser lässt sich SDI-Video über Entfernungen von bis zu 45 km senden, im Gegensatz zu lediglich 90 Metern mit SDI-Kupferkabeln. 12G-SD-Signale können an bis zu 6 km entfernte Zielorte gesendet werden.



## Anschlüsse

- 1 OPTICAL OUT**  
Glasfaserausgang unterstützt Singlemode-Glasfaserkabel mit einem LC-Verbinder.
- 2 OPTICAL IN**  
Glasfasereingang unterstützt Singlemode-Glasfaserkabel mit einem LC-Verbinder.
- 3 SDI OUT**  
BNC-Buchse für ausgehende SDI-Videosignale zum Anschluss an SDI-Equipment.
- 4 SDI IN**  
BNC-Buchse für eingehende SDI-Signale zum Anschluss an SDI-Equipment.
- 5 POWER +6 to +36V**  
Strombuchse für Netzteil mit 6–36 V. Das Schraubgewinde sichert die Stromverbindung und verhindert das versehentliche Trennen der Stromzufuhr.

## Mini Converter Optical Fiber 12G Blockschaltbild



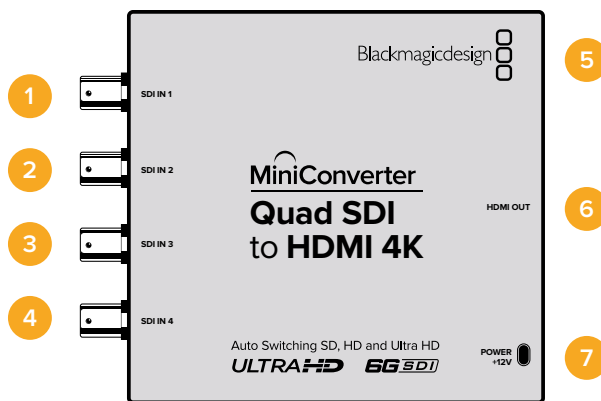


## Mini Converter Quad SDI to HDMI 4K

Mit Ihrem Mini Converter Quad SDI to HDMI 4K lässt sich Single-, Dual-, und Quad-Link-SDI in Ultra-HD an neueste Ultra-HD-Projektoren und -Fernsehergeräte anschließen, die Ultra HD über eine einzelne HDMI-Verbindung unterstützen. Zudem können folgende Eingaben nach HDMI konvertiert werden:

- SD-SDI
- HD-SDI
- Single-Link 3G-SDI
- Single-Link 6G-SDI
- Dual-Link HD-SDI
- Dual-Link 3G-SDI Ultra HD
- Quad-Link HD-SDI Ultra HD

Erkennt der HDMI-Ausgang einen HD-Monitor oder -Fernseher, wird das ausgegebene Signal automatisch abwärtskonvertiert. Verwenden Sie Eingänge 1 und 2 nur mit einem gültigen Dual-Link-Signal.



## Anschlüsse

Unter jedem SDI-Eingang finden Sie unterstützte Formate gelistet.

- 1 SDI IN 1**
  - SD/HD-SDI
  - Single-Link 3G-SDI
  - Single-Link 6G-SDI
  - Dual-Link HD-SDI Kanal A
  - Dual-Link 3G-SDI Ultra HD Kanal A
  - Quad-Link HD-SDI Ultra HD Kanal A
- 2 SDI IN 2**
  - Dual-Link HD-SDI Kanal B
  - Dual-Link 3G-SDI Ultra HD Kanal B
  - Quad-Link HD-SDI Ultra HD Kanal B
- 3 SDI IN 3**
  - Quad-Link HD-SDI Ultra HD Kanal C
- 4 SDI IN 4**
  - Quad-Link HD-SDI Ultra HD Kanal D

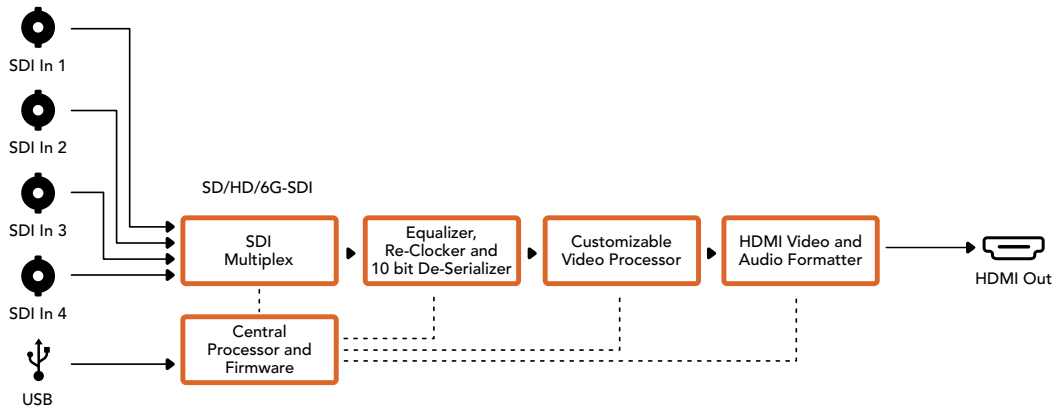
### 5 MINI-B USB PORT

Ermöglicht die Verbindung mit der Setup-Software des Converters über einen Mac-OS-X- oder Windows-Computer. Die Produktsoftware der Mini Converter wird ebenfalls über den USB-Port aktualisiert.

- 6 HDMI**  
HDMI Typ A Videoausgang.

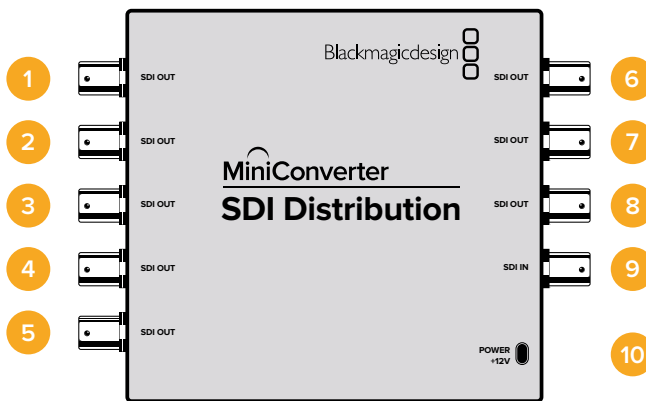
- 7 POWER +12V**  
Strombuchse für 12V-Netzteil.

### Mini Converter Quad SDI to HDMI 4K Blockschaltbild



### Mini Converter SDI Distribution

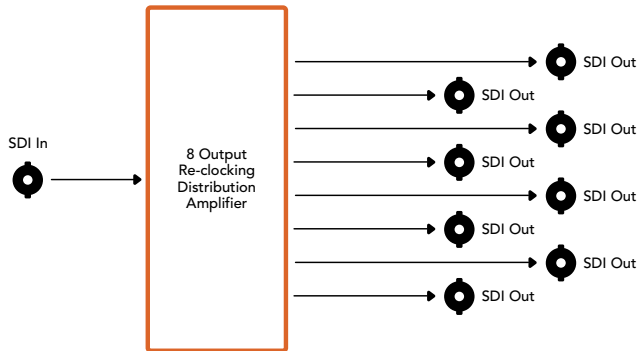
Mit dem Mini Converter SDI Distribution können Sie SDI-Signale an acht SDI-Geräte wie MAZEn, Bildschirmwände und Mischer simultan ausgeben. Jedes Mal, wenn die Videoeingabe zwischen den Videoformaten SD-SDI, HD-SDI und 3G-SDI wechselt, schaltet der Mini Converter SDI Distribution die acht neugetakteten Ausgänge automatisch in Übereinstimmung mit Support für ASI, Zusatzdaten und eingebetteten Audioformaten um.



### Anschlüsse

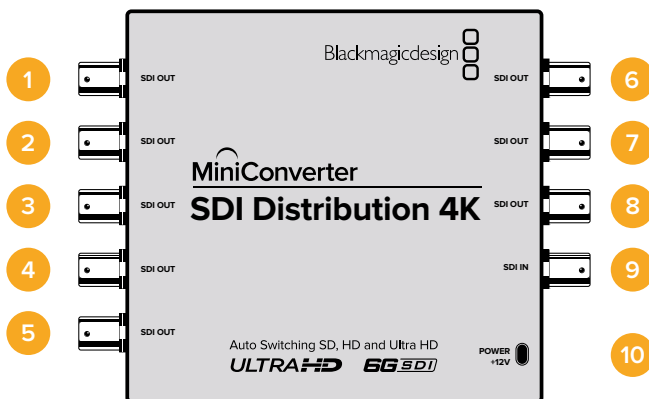
- 1-8 SDI OUT**  
BNC-Buchse für die SDI-Videoausgabe.
- 9 SDI IN**  
SDI-Eingang.
- 10 POWER +12V**  
Strombuchse für 12V-Netzteil.

## Mini Converter SDI Distribution Blockschaltbild



## Mini Converter SDI Distribution 4K

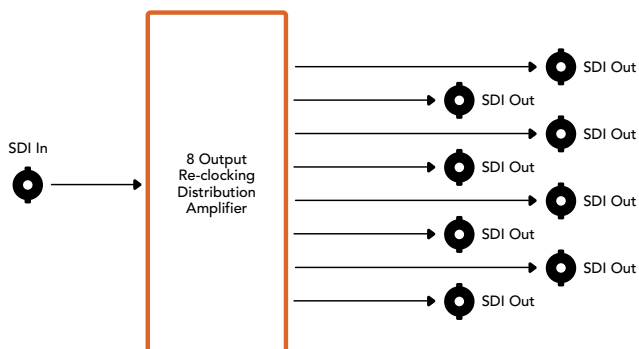
Mit dem Mini Converter SDI Distribution 4K können Sie SDI-Signale an acht SDI-Geräte wie MAZEn, Bildschirmwände und Mischer simultan ausgeben. Jedes Mal, wenn die Videoeingabe zwischen den Videoformaten SD/HD/3G/6G-SDI wechselt, schaltet der Mini Converter SDI Distribution 4K die acht neugetakteten Ausgänge automatisch in Übereinstimmung mit Support für ASI, Zusatzdaten und eingebetteten Audioformaten um.



## Anschlüsse

- 1-8 SDI OUT**  
BNC-Buchse für die SDI-Videoausgabe.
- 9 SDI IN**  
SDI-Eingang.
- 10 POWER +12V**  
Strombuchse für 12V-Netzteil.

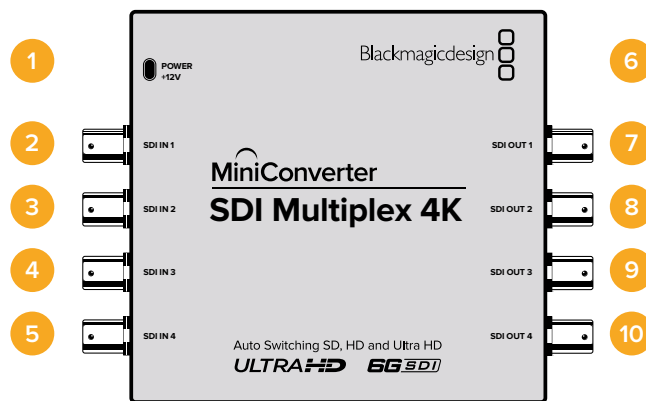
## Mini Converter SDI Distribution 4K Blockschaltbild



## Mini Converter SDI Multiplex 4K

Ihr Mini Converter SDI Multiplex 4K kann folgende Konvertierungen vornehmen:

- Ein SD-, HD- und 6G-SDI-Signal an alle vier Ausgänge verteilen.
- Ein Dual-Link-HD-SDI-Signal an alle vier 3G-SDI-Ausgänge verteilen.
- Single-Link 3G-SDI nach Dual-Link HD-SDI. Die Dual-Link-Ausgabe wird an beide Ausgangspaare verteilt.
- Single-Link 6G-SDI nach Dual-Link 3G-SDI oder Quad-Link 1.5G SDI.
- Quad-Link HD-SDI Ultra HD nach Single-Link 6G-SDI oder Dual-Link 3G-SDI Ultra HD, sodass Sie bestehende Ultra-HD-Quellgeräte an Dual-Link Ultra-HD-Displays anschließen können. Die Dual-Link-Ausgabe wird an beide Ausgangspaare verteilt.
- Dual-Link 3G-SDI nach Single-Link 6G-SDI.
- Dual-Link 3G-SDI Ultra HD nach Quad-Link HD-SDI Ultra HD, sodass Sie modernste Dual-Link Ultra-HD-Quellen an bestehende Quad-Link Ultra-HD-Displays anschließen können.



## Anschlüsse

- 1 POWER +12V**
  - 12V-Strombuchse
  - Unterstützte Formate für jeden SDI-Eingang:
- 2 SDI IN 1**
  - SD/HD-SDI
  - Single-Link 3G-SDI
  - Single-Link 6G-SDI
  - Dual-Link HD-SDI Kanal A
  - Dual-Link 3G-SDI Ultra HD Kanal A
  - Quad-Link HD-SDI Ultra HD Kanal A
- 3 SDI IN 2**
  - Dual-Link HD-SDI Kanal B
  - Dual-Link 3G-SDI Ultra HD Kanal B
  - Quad-Link HD-SDI Ultra HD Kanal B
- 4 SDI IN 3**
  - Quad-Link HD-SDI Ultra HD Kanal C
- 5 SDI IN 4**
  - Quad-Link HD-SDI Ultra HD Kanal D

## 6 MINI-B USB PORT

Ermöglicht die Verbindung mit der Setup-Software des Konverters über einen Mac-OS-X- oder Windows-Computer. Die Produktsoftware der Mini Converter wird ebenfalls über den USB-Port aktualisiert.

Unter jedem SDI-Ausgang finden Sie unterstützte Formate gelistet:

## 7 SDI OUT 1

- SD/HD-SDI
- Single-Link 3G-SDI
- Single-Link 6G-SDI
- Dual-Link HD-SDI Kanal A
- Dual-Link 3G-SDI Ultra HD Kanal A
- Quad-Link HD-SDI Ultra HD Kanal A

## 8 SDI OUT 2

- SD/HD-SDI
- Single-Link 3G-SDI
- Single-Link 6G-SDI
- Dual-Link HD-SDI Kanal B
- Dual-Link 3G-SDI Ultra HD Kanal B
- Quad-Link HD-SDI Ultra HD Kanal B

## 9 SDI OUT 3

- SD/HD-SDI
- Single-Link 3G-SDI
- Single-Link 6G-SDI
- Dual-Link HD-SDI Kanal A
- Dual-Link 3G-SDI Ultra HD Kanal A
- Quad-Link HD-SDI Ultra HD Kanal C

## 10 SDI OUT 4

- SD/HD-SDI
- Single-Link 3G-SDI
- Single-Link 6G-SDI
- Dual-Link HD-SDI Kanal B
- Dual-Link 3G-SDI Ultra HD Kanal B
- Quad-Link HD-SDI Ultra HD Kanal D

## Switches

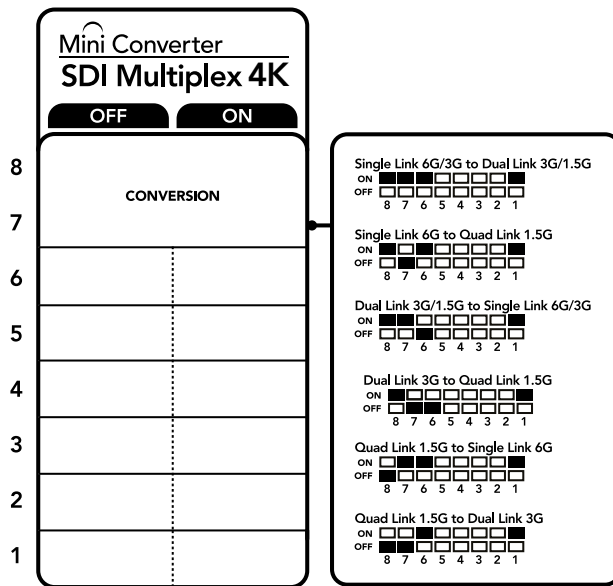
Die Switches am Mini Converter SDI Multiplex 4K ermöglichen folgende Einstellungen:

### Switches 8, 7 und 6 – Formatkonvertierung

Der kombinierte Einsatz der Switches 8, 7 und 6 ermöglicht Konvertierungen wie Dual-Link HD-SDI nach Single-Link HD-SDI oder Quad-Link Ultra HD nach Single-Link Ultra HD.

### Switch 1 – PROCESSING ON/OFF

Wenn Switch 1 auf OFF steht, agiert der Mini Converter SDI Multiplex 4K als Verteilverstärker mit vier Ausgängen für die Formate SD, HD und 6G-SDI.



Die Switch-Legende am Boden Ihres Converters gibt Ihnen alle erforderlichen Informationen, um die Umwandlungseinstellungen zu verändern

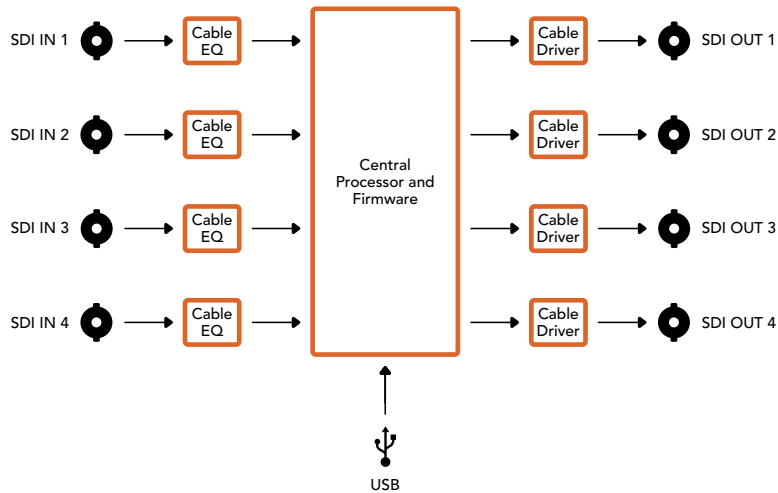
### Beispiel für Switch-Einstellungen

Konvertieren Sie Quad-Link Ultra HD nach Dual-Link Ultra HD, indem Sie Switch 8 auf ON und Switch 7 auf OFF stellen.

### SDI-Anschluss-Tabelle

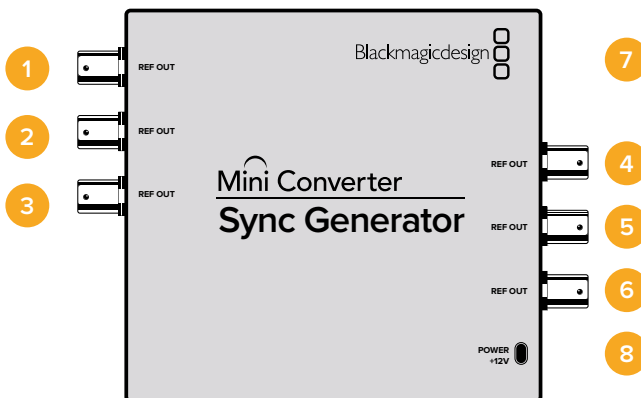
Konvertierung	Switch 8	Switch 7	Switch 6	Switch 1	Schaltdiagramm
Single-Link 6G/3G-SDI nach Dual-Link 3G/1.5G-SDI	ON	ON	ON	ON	ON <input checked="" type="checkbox"/> <input checked="" type="checkbox"/> <input checked="" type="checkbox"/> <input checked="" type="checkbox"/> <input checked="" type="checkbox"/> <input checked="" type="checkbox"/> <input checked="" type="checkbox"/> <input checked="" type="checkbox"/> OFF <input type="checkbox"/> <input type="checkbox"/> <input type="checkbox"/> <input type="checkbox"/> <input type="checkbox"/> <input type="checkbox"/> <input type="checkbox"/> <input type="checkbox"/>
Single-Link 6G-SDI nach Quad-Link 1.5G-SDI	ON	OFF	ON	ON	ON <input checked="" type="checkbox"/> <input checked="" type="checkbox"/> <input checked="" type="checkbox"/> <input checked="" type="checkbox"/> <input checked="" type="checkbox"/> <input checked="" type="checkbox"/> <input checked="" type="checkbox"/> <input checked="" type="checkbox"/> OFF <input type="checkbox"/> <input type="checkbox"/> <input type="checkbox"/> <input type="checkbox"/> <input type="checkbox"/> <input type="checkbox"/> <input type="checkbox"/> <input type="checkbox"/>
Dual-Link 3G/1.5G-SDI nach Single-Link 6G/3G-SDI	ON	ON	OFF	ON	ON <input type="checkbox"/> <input type="checkbox"/> <input type="checkbox"/> <input type="checkbox"/> <input type="checkbox"/> <input type="checkbox"/> <input type="checkbox"/> <input type="checkbox"/> OFF <input checked="" type="checkbox"/> <input checked="" type="checkbox"/> <input checked="" type="checkbox"/> <input checked="" type="checkbox"/> <input checked="" type="checkbox"/> <input checked="" type="checkbox"/> <input checked="" type="checkbox"/> <input checked="" type="checkbox"/>
Dual-Link 3G-SDI nach Quad-Link 1.5G-SDI	ON	OFF	OFF	ON	ON <input type="checkbox"/> <input type="checkbox"/> <input type="checkbox"/> <input type="checkbox"/> <input type="checkbox"/> <input type="checkbox"/> <input type="checkbox"/> <input type="checkbox"/> OFF <input checked="" type="checkbox"/> <input checked="" type="checkbox"/> <input checked="" type="checkbox"/> <input checked="" type="checkbox"/> <input checked="" type="checkbox"/> <input checked="" type="checkbox"/> <input checked="" type="checkbox"/> <input checked="" type="checkbox"/>
Quad-Link 1.5G-SDI nach Single-Link 6G-SDI	OFF	ON	ON	ON	ON <input type="checkbox"/> <input checked="" type="checkbox"/> <input checked="" type="checkbox"/> <input checked="" type="checkbox"/> <input checked="" type="checkbox"/> <input checked="" type="checkbox"/> <input checked="" type="checkbox"/> <input checked="" type="checkbox"/> OFF <input checked="" type="checkbox"/> <input type="checkbox"/> <input type="checkbox"/> <input type="checkbox"/> <input type="checkbox"/> <input type="checkbox"/> <input type="checkbox"/>
Quad-Link 1.5G-SDI nach Dual-Link 3G-SDI	OFF	OFF	ON	ON	ON <input type="checkbox"/> <input type="checkbox"/> <input type="checkbox"/> <input type="checkbox"/> <input type="checkbox"/> <input type="checkbox"/> <input type="checkbox"/> <input type="checkbox"/> OFF <input checked="" type="checkbox"/> <input checked="" type="checkbox"/> <input checked="" type="checkbox"/> <input checked="" type="checkbox"/> <input checked="" type="checkbox"/> <input checked="" type="checkbox"/> <input checked="" type="checkbox"/> <input checked="" type="checkbox"/>

## Mini Converter SDI Multiplex 4K Blockschaltbild



## Mini Converter Sync Generator

Ihr Mini Converter Sync Generator enthält sechs quarzstabilisierte Video-Referenzgänge, um Ihr Videoequipment an gängige Referenzsignale zu koppeln. Der Sync Generator erzeugt Tri-Level-Sync-Signale in High Definition oder Blackburst-Signale in Standard Definition und eignet sich perfekt für kleine Studios und Außenübertragungen.



## Anschlüsse

### 1-6 REF OUT

BNC-Buchse für ausgehendes Referenzvideo.

### 7 MINI-B USB PORT

Ermöglicht die Verbindung mit der Setup-Software des Converters über einen Mac-OS-X- oder Windows-Computer. Die Produktsoftware der Mini Converter wird ebenfalls über den USB-Port aktualisiert.

### 8 POWER +12V

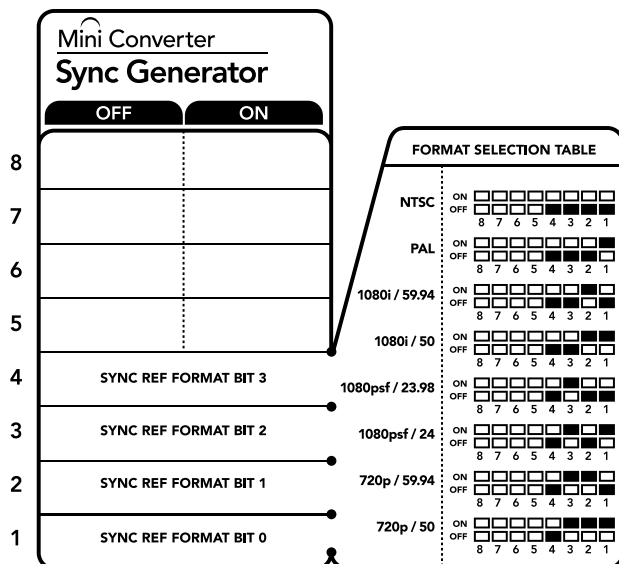
Strombuchse für 12V-Netzteil.

## Switches

Die Switches am Mini Converter Sync Generator ermöglichen folgende Einstellungen:

### Switch 4, 3, 2 und 1 – SYNC REF FORMAT BIT 3, 2, 1 und 0

Switches 4, 3, 2 und 1 liegen gruppiert vor und bieten die Auswahl aus vielen Referenz-Videoformaten, darunter:

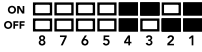
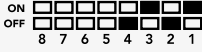



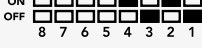



Die Switch-Legende am Boden Ihres Converters gibt Ihnen alle erforderlichen Informationen, um die Umwandlungseinstellungen zu verändern

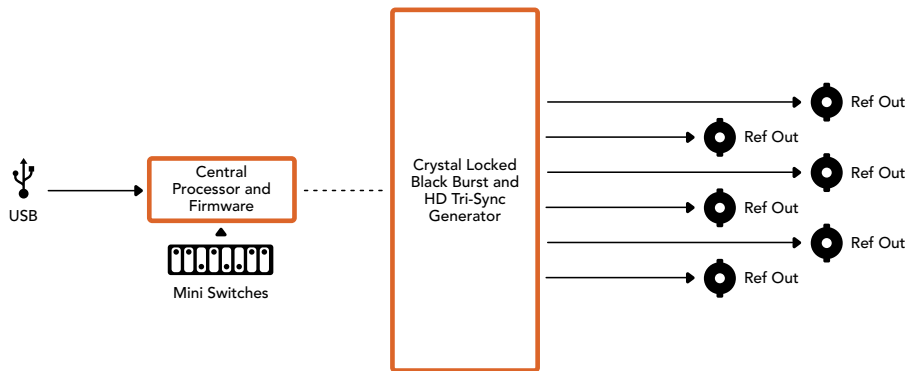
### Tabelle zur Auswahl des Videoformats

Videoformat	Switch 4	Switch 3	Switch 2	Switch 1	Schaltdiagramm
NTSC	OFF	OFF	OFF	OFF	ON OFF <input type="checkbox"/> <input type="checkbox"/> <input type="checkbox"/> <input type="checkbox"/> <input type="checkbox"/> <input type="checkbox"/> <input type="checkbox"/> <input type="checkbox"/> 8 7 6 5 4 3 2 1
PAL	OFF	OFF	OFF	ON	ON OFF <input type="checkbox"/> <input type="checkbox"/> <input type="checkbox"/> <input type="checkbox"/> <input type="checkbox"/> <input type="checkbox"/> <input type="checkbox"/> <input checked="" type="checkbox"/> 8 7 6 5 4 3 2 1
720p/50	OFF	ON	ON	ON	ON OFF <input type="checkbox"/> <input type="checkbox"/> <input type="checkbox"/> <input type="checkbox"/> <input checked="" type="checkbox"/> <input checked="" type="checkbox"/> <input checked="" type="checkbox"/> <input checked="" type="checkbox"/> 8 7 6 5 4 3 2 1
720p/59,94	OFF	ON	ON	OFF	ON OFF <input type="checkbox"/> <input type="checkbox"/> <input type="checkbox"/> <input type="checkbox"/> <input checked="" type="checkbox"/> <input checked="" type="checkbox"/> <input checked="" type="checkbox"/> <input checked="" type="checkbox"/> 8 7 6 5 4 3 2 1
720p/60	ON	ON	ON	OFF	ON OFF <input type="checkbox"/> <input type="checkbox"/> <input type="checkbox"/> <input type="checkbox"/> <input checked="" type="checkbox"/> <input checked="" type="checkbox"/> <input checked="" type="checkbox"/> <input checked="" type="checkbox"/> 8 7 6 5 4 3 2 1
1080i/50	OFF	OFF	ON	ON	ON OFF <input type="checkbox"/> <input type="checkbox"/> <input type="checkbox"/> <input type="checkbox"/> <input checked="" type="checkbox"/> <input checked="" type="checkbox"/> <input checked="" type="checkbox"/> <input checked="" type="checkbox"/> 8 7 6 5 4 3 2 1
1080i/59,94	OFF	OFF	ON	OFF	ON OFF <input type="checkbox"/> <input type="checkbox"/> <input type="checkbox"/> <input type="checkbox"/> <input checked="" type="checkbox"/> <input checked="" type="checkbox"/> <input checked="" type="checkbox"/> <input checked="" type="checkbox"/> 8 7 6 5 4 3 2 1
1080i/60	ON	OFF	OFF	OFF	ON OFF <input type="checkbox"/> <input type="checkbox"/> <input type="checkbox"/> <input type="checkbox"/> <input checked="" type="checkbox"/> <input checked="" type="checkbox"/> <input checked="" type="checkbox"/> <input checked="" type="checkbox"/> 8 7 6 5 4 3 2 1



VideofORMAT	Switch 4	Switch 3	Switch 2	Switch 1	Schaltdiagramm
1080PsF/23,98	OFF	ON	OFF	OFF	ON OFF 
1080PsF/24	OFF	ON	OFF	ON	ON OFF 
1080p/23,98	ON	ON	OFF	ON	ON OFF 
1080p/24	ON	ON	OFF	OFF	ON OFF 
1080p/25	ON	OFF	ON	ON	ON OFF 
1080p/29,97	ON	OFF	ON	OFF	ON OFF 
1080p/30	ON	OFF	OFF	ON	ON OFF 

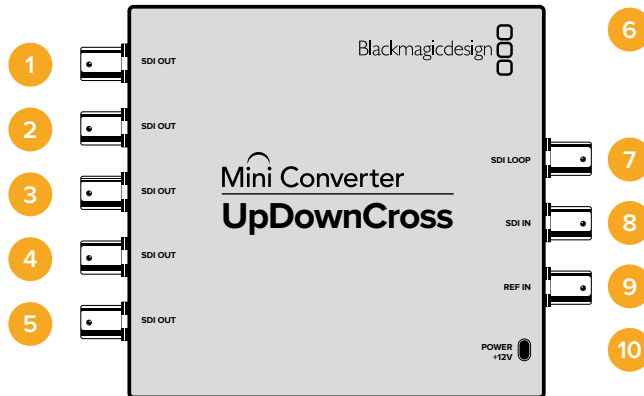
### Mini Converter Sync Generator Blockschaubild



## Mini Converter UpDownCross

Ihr Mini Converter UpDownCross leistet Up-, Down- und Crosskonvertierungen sowie NTSC/PAL-Normwandlung und Formatkonvertierungen. Der Mini Converter UpDownCross kann zwischen Videoformaten konvertieren, darunter 720p nach 1080i sowie zwischen PAL- und NTSC-Videonormen. Er ermöglicht auch die Upkonvertierung mit Bildseitenverhältnissen wie 4:3 Pillarbox und 16:9 Zoom sowie die Downkonvertierung in Letterbox 4:3 und anamorphotischem 16:9.

Wenn „Processing“ für die Konvertierung auf OFF steht, agiert der Mini Converter als SDI-Verteilverstärker.



## Anschlüsse

### 1-5 SDI OUT

BNC-Buchse für die SDI-Videoausgabe.

### 6 MINI-B USB PORT

Ermöglicht die Verbindung mit der Setup-Software des Converters über einen Mac-OS-X- oder Windows-Computer. Die Produktsoftware der Mini Converter wird ebenfalls über den USB-Port aktualisiert.

### 7 SDI LOOP

Gibt Ihre Videoeingabe direkt aus.

### 8 SDI IN

SDI-Eingang.

### 9 REF IN

Referenz-Videoeingang.

### 10 POWER +12V

Strombuchse für 12V-Netzteil.

## Switches

Die Switches am Mini Converter UpDownCross ermöglichen die folgenden Einstellungen:

### Switch 8 – Umwandlung der Bildseitenverhältnisse

Der kombinierte Einsatz der Switches 8 und 7 gibt das Bildseitenverhältnis während der Up- und Downkonvertierung vor. Bei der Downkonvertierung wird bspw. das Seitenverhältnis Letterbox angewandt, wenn sich Switches 8 und 7 in der OFF-Position befinden.



Nachstehend werden die Konvertierungen für die einzelnen Seitenverhältnisse beschrieben:

### Upkonvertierung

- **4:3 Pillarbox:** Diese Einstellung stellt 4:3-SD-Inhalte im 16:9-HD-Format dar. Links- und rechtsseitig befinden sich schwarze Balken.

### Downkonvertierung

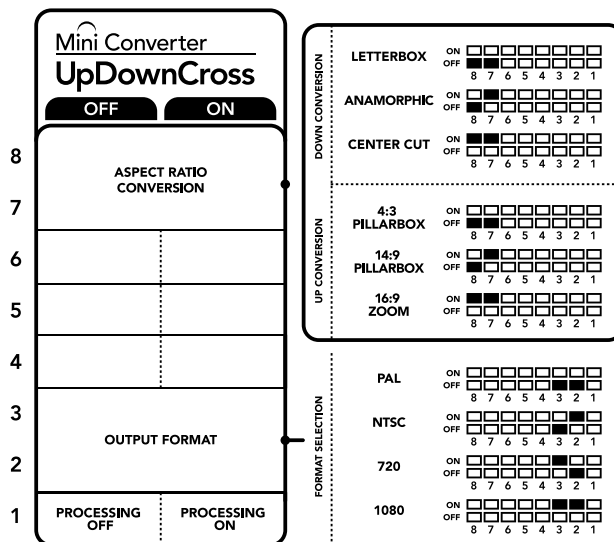
- **Letterbox:** Diese Einstellung skaliert das gesamte 16:9-HD-Bild in ein 4:3-SD-Bild. Oben und unten sind schwarze Balken zu sehen.
- **Anamorphotisch:** Diese Einstellung streckt das 16:9-HD-Bild horizontal in einen 4:3-SD-Rahmen.
- **Center Cut:** Diese Einstellung schneidet ein 4:3-SD-Bild aus dem 16:9-HD-Bild. Dieses Seitenverhältnis schneidet beidseitig die Ränder eines 16:9-HD-Bildes ab.
- **14:9 Pillarbox:** Diese Einstellung kombiniert die Verhältnisse 4:3-Pillarbox und 16:9-Zoom. Das 4:3-SD-Bild ist leicht vergrößert und stellt insgesamt mehr Bildanteile innerhalb des 16:9-Formats dar. Die seitlichen schwarzen Balken sind schmaler, während am oberen und unteren Bildrand Bildanteile geringfügig verloren gehen.
- **16:9 De-Squeeze:** Diese Einstellung entstaucht ein anamorphotisch dargestelltes 4:3-SD-Bild so lange, bis die Größe einem 16:9-Format entspricht. Es gehen keine 4:3-Bildanteile verloren.

### Switch 1 – PROCESSING OFF, PROCESSING ON

Befindet sich Switch 1 in der OFF-Position, dann werden alle Konvertierungen umgangen. Auf diese Weise kann der Mini Converter Ihre Videoinhalte an sechs SDI-Geräte verteilen.

### Beispiel für Switch-Einstellungen:

Wenn Sie 4:3-Video in 625i/50 nach 1080i/50 mit einem 4:3-Pillarbox-Seitenverhältnis konvertieren möchten, stellen Sie Switches 8 und 7 auf OFF und Switches 3, 2 und 1 auf ON.

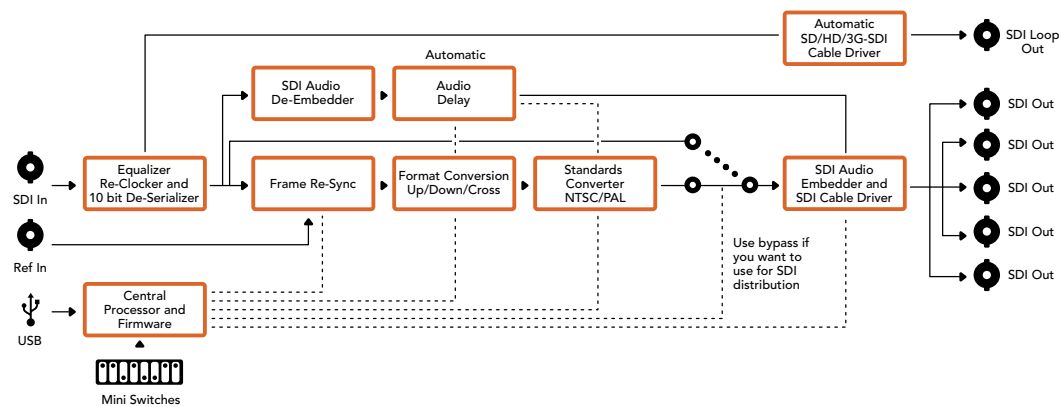


Die Switch-Legende am Boden Ihres Converters gibt Ihnen alle erforderlichen Informationen, um die Umwandlungseinstellungen zu verändern

Tabelle zur Konvertierung mit dem Mini Converter UpDownCross

<b>Videoeingabe</b>	<b>NTSC Switches 1 und 2 ON</b>	<b>PAL Switch 1 ON</b>	<b>720p Switches 1 und 3 ON</b>	<b>1080 Switches 1, 2 und 3 ON</b>
525i/59,94	525i/59,94	625i/50	720p/59,94	1080i/59,94
625i/50	525i/59,94	625i/50	720p/50	1080i/50
720p/50	525i/59,94	625i/50	720p/50	1080i/50
720p/59,94	525i/59,94	625i/50	720p/59,94	1080i/59,94
720p/60	525i/59,94	625i/50	720p/60	1080i/60
1080PsF/23,98	525i/59,94	625i/50	720p/59,94	1080PsF/23,98
1080p/23,98	525i/59,94	625i/50	720p/59,94	1080p/23,98
1080PsF/24	525i/59,94	625i/50	720p/50	1080PsF/24
1080p/24	525i/59,94	625i/50	720p/50	1080p/24
1080p/25	525i/59,94	625i/50	720p/50	1080p/25
1080p/29,97	525i/59,94	625i/50	720p/59,94	1080p/29,97
1080p/30	525i/59,94	625i/50	720p/60	1080p/30
1080i/50	525i/59,94	625i/50	720p/50	1080i/50
1080i/59,94	525i/59,94	625i/50	720p/59,94	1080i/59,94
1080i/60	525i/59,94	625i/50	720p/60	1080i/60
1080p/50	525i/59,94	625i/50	720p/50	1080p/50
1080p/59,94	525i/59,94	625i/50	720p/59,94	1080p/59,94
1080p/60	525i/59,94	625i/50	720p/60	1080p/60
2048x1556PsF/23,98	525i/59,94	625i/50	2048x1556PsF/23,98	2048x1556PsF/23,98
2048x1556PsF/24	525i/59,94	625i/50	2048x1556PsF/24	2048x1556PsF/24
2048x1556PsF/25	525i/59,94	625i/50	2048x1556PsF/25	2048x1556PsF/25

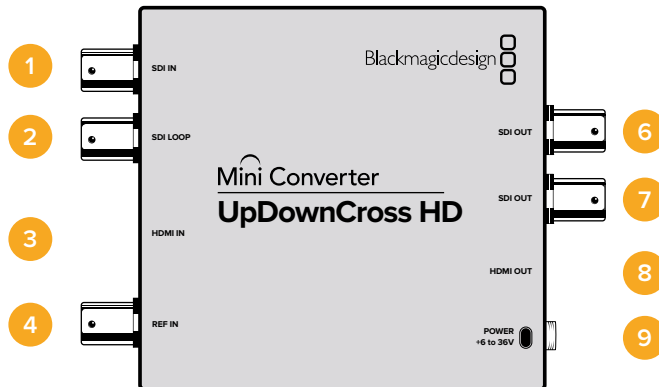
Mini Converter UpDownCross Blockschaltbild



## Mini Converter UpDownCross HD

Der Mini Converter UpDownCross HD ist ein leistungsstarker Normwandler, der jedes beliebige SD- oder HD-Videoformat per Up-, Down- oder Crosskonvertierung über SDI und HDMI wandelt. Er unterstützt alle SD- und HD-Formate bis 1080p/60 sowie NTSC und PAL inkl. Bildseitenverhältnisoptionen bei der Aufwärts- und Abwärtskonvertierung. Der HDMI-Eingang unterstützt zudem Computer-Ausgabeauflösungen von 1024 x 768, 800 x 600 und 640 x 480.

Ist die Konvertierungsverarbeitung mit OFF deaktiviert, fungieren der SDI- und der HDMI-Ausgang als Durchschleifausgänge. Darüber können Sie das Eingabesignal an andere HDMI- und SDI-Geräte schicken.



## Anschlüsse

### 1 SDI IN

SDI-Eingang. Die kleine LED neben dem BNC-Anschluss leuchtet auf, wenn ein angeschlossenes Locked-SDI-Signal erkannt wurde. Sind der SDI- und der HDMI-Eingang beide in Benutzung, erhält der SDI-Eingang Vorrang.

### 2 SDI LOOP

Direkte Durchschleifausgabe Ihres SDI-Eingabevideos.

### 3 HDMI IN

HDMI-Videoeingang Typ A. Eine kleine LED neben dem HDMI IN-Anschluss leuchtet auf, wenn ein angeschlossenes HDMI-Signal erkannt wurde.

### 4 REF IN

Referenz-Videoeingang. Eine kleine LED neben dem REF IN-Anschluss zeigt den Verbindungsstatus des Referenzeingangs an:

**Konstant weiß** – Der Eingang REF IN entspricht dem Format des am Konverter eingestellten Ausgabevideoformats.

**Weiß blinkend** – Der Eingang REF IN ist auf ein gültiges Videoformat eingestellt, stimmt aber nicht mit dem am Konverter eingestellten Ausgabevideoformat überein.

### 5 USB-C-PORT

Ermöglicht die Verbindung mit der Setup-Software des Konverters über einen Mac-OS-X- oder Windows-Computer. Die Produktsoftware des Mini Converters wird ebenfalls über den USB-Port aktualisiert.

### 6-7 SDI OUT

BNC-Buchsen für die SDI-Videoausgabe.

### 8 HDMI OUT

HDMI-Videoausgang Typ A.

### 9 POWER +6 to 36V

Strombuchse für Netzteil mit 6–36 V. Das Schraubgewinde sichert die Stromverbindung und verhindert das versehentliche Trennen der Stromzufuhr. Eine kleine LED neben dem DC-Anschluss leuchtet auf und zeigt an, wenn eine Verbindung zum Strom besteht.



Tabelle zur Auswahl des Videoformats

Videoformat	Switch 8	Switch 7	Switch 6	Switch 5	Switch 4	Schaltdiagramm
525i/59,94 NTSC	OFF	OFF	OFF	OFF	OFF	ON OFF 
625i/50 PAL	OFF	OFF	OFF	OFF	ON	ON OFF 
720p/50	OFF	OFF	OFF	ON	OFF	ON OFF 
720p/59,94	OFF	OFF	OFF	ON	ON	ON OFF 
720p/60	OFF	OFF	ON	OFF	ON	ON OFF 
1080i/50	OFF	OFF	ON	OFF	ON	ON OFF 
1080i/59,94	OFF	OFF	ON	ON	OFF	ON OFF 
1080i/60	OFF	OFF	ON	ON	ON	ON OFF 
1080PsF/23,98	OFF	ON	OFF	OFF	OFF	ON OFF 
1080PsF/24	OFF	ON	OFF	OFF	ON	ON OFF 
1080PsF/25	OFF	ON	OFF	ON	OFF	ON OFF 
1080PsF/29,97	OFF	ON	OFF	ON	ON	ON OFF 
1080PsF/30	OFF	ON	ON	OFF	OFF	ON OFF 
1080p/23,98	OFF	ON	ON	OFF	ON	ON OFF 
1080p/24	OFF	ON	ON	ON	OFF	ON OFF 
1080p/25	OFF	ON	ON	ON	ON	ON OFF 
1080p/29,97	OFF	ON	ON	ON	OFF	ON OFF 
1080p/30	ON	OFF	OFF	OFF	ON	ON OFF 
1080p/50	ON	OFF	OFF	ON	OFF	ON OFF 
1080p/59,94	ON	OFF	OFF	ON	ON	ON OFF 
1080p/60	ON	OFF	ON	OFF	OFF	ON OFF 

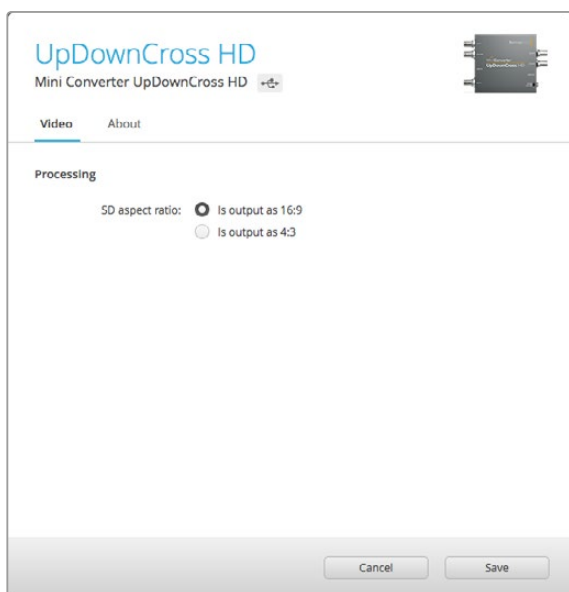


## Converters Setup Dienstprogramm

Mit dem Blackmagic Converters Setup Dienstprogramm werden Einstellungen wie das Bildseitenverhältnis geändert und die Konvertersoftware aktualisiert. Alle Einstellungen im Dienstprogramm bleiben erhalten, auch wenn der Mini Converter ausgeschaltet wird. Greifen Sie auf diese Einstellungen jeweils über die Tabs „Video“, „Audio“ und „About“ (Info) zu.

Näheres über den Tab „About“ finden Sie im Abschnitt „Einstellungen ändern“ in diesem Handbuch.

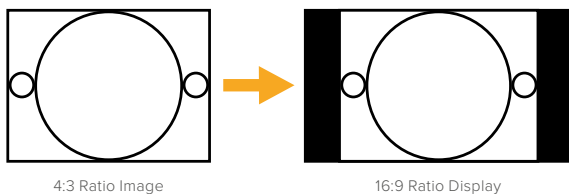
Der „Video“-Tab für den Mini Converter UpDownCross HD weist folgende Einstellungen auf:



Auf dem „Video“-Tab in Converters Setup können Sie ein SD-Bildseitenverhältnis wählen

### Bildseitenverhältnis für Standard Definition

Deaktivieren Sie das Kontrollkästchen, um 4:3-Pillarbox-Video auszugeben. Aktivieren Sie das Kontrollkästchen, um 16:9-SD-Video auszugeben. Beispiel: Liegt Ihr Eingabevideo in 4:3 SD vor und das Kontrollkästchen ist deaktiviert, erfolgt die Ausgabe im originalen 4:3-Pillarbox-Bildseitenverhältnis, jedoch in einem 16:9-Bildausschnitt. Wenn Ihre Videoeingabe aber in 16:9 SD vorliegt, aktivieren Sie das Kontrollkästchen, um eine direkte 16:9-Konvertierung auszugeben.

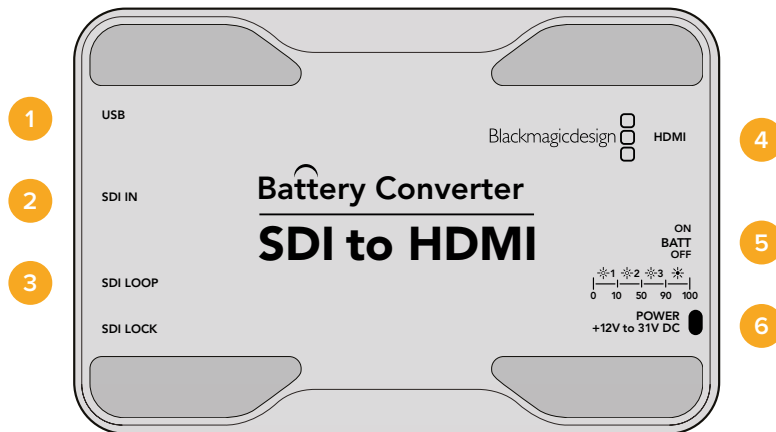


Bei der standardmäßigen Bildseitenverhältnis-Einstellung im Setup-Dienstprogramm wird SD-Video im 4:3-Pillarbox-Verhältnis ausgegeben. Sie können dem Converter bei Bedarf jedoch vorgeben, das 16:9-Bildseitenverhältnis zu bewahren, indem Sie auf dem „Video“-Tab das Kontrollkästchen aktivieren

# Blackmagic Battery Converters

## Battery Converter SDI to HDMI

Mit dem Battery Converter SDI to HDMI koppeln Sie HDMI-Monitore und Videoprojektoren aus einem breiten Angebotsspektrum an SDI-Equipment. Ihr Battery Converter SDI to HDMI erkennt SD, HD und 3G-SDI automatisch und konvertiert nach HDMI mit eingebettetem Audio. Der Battery Converter SDI to HDMI ist mit einem wiederaufladbaren Akku und eingelassenen Anschlüssen ausgestattet und schützend von einem luftfahrttauglichen Aluminiumgehäuse umgeben.



## Anschlüsse

- 1 MINI-B USB PORT**

Ermöglicht die Verbindung mit der Blackmagic Converters Setup Software über einen Mac OS X oder Windows Computer. Die Produktsoftware der Mini Converter wird ebenfalls über den USB-Port aktualisiert.
- 2 SDI IN**

Primärer BNC-Verbinder für SDI-Eingaben.
- 3 SDI LOOP**

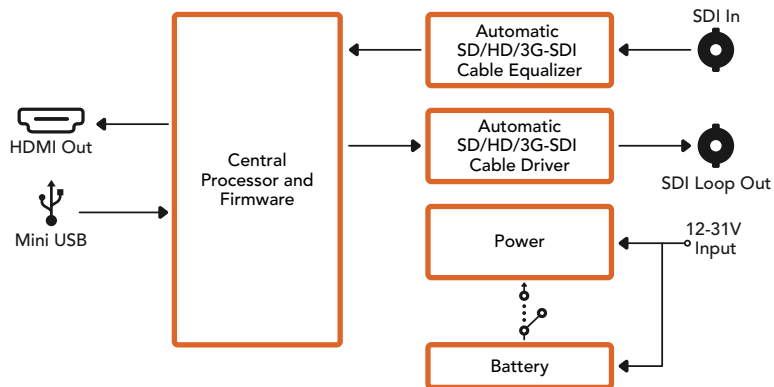
Durchschleifausgang für eingehende SDI-Videosignale über den BNC-Verbinder.
- 4 HDMI**

HDMI Typ A Videoausgang.
- 5 ON BATT OFF**

Schaltet Akkustrom ein oder aus. Ist ON aktiviert, läuft der Battery Converter während einer externen Stromunterbrechung weiter. Im OFF-Modus wird nur auf externen Strom zugegriffen, um internen Akkustrom zu sparen. Eine LED neben dem diesem Schalter informiert über den Akkuladestatus: Leuchtet sie durchgehend, ist der Akku voll. Blinkt sie dreimal bzw. zweimal, sind 50–90% bzw. 10–50% Akkustrom vorhanden. Ein einmaliges Blinken bedeutet weniger als 10% Akkustrom.
- 6 POWER +12V**

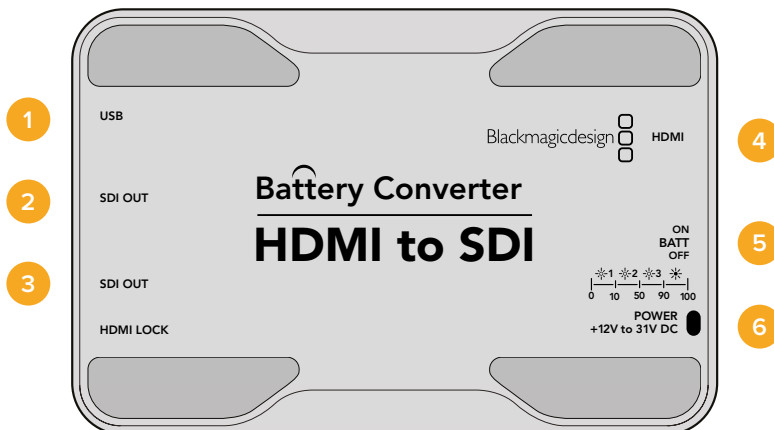
Strombuchse für 12V-Netzteil.

## Battery Converter SDI to HDMI Blockschaltbild



## Battery Converter HDMI to SDI

Mit dem Battery Converter HDMI to SDI können Sie HDMI-Ausgaben von Geräten wie HDV-Kameras und Spielekonsolen nach SDI konvertieren. Dies gestattet die Übermittlung von Videosignalen von HDMI über SDI mit SDI-Kabeln maximaler Länge. Sie können HDMI-kompatible Computer sogar mit SDI-Ausgängen versehen. Der Battery Converter HDMI to SDI ist mit einem wiederaufladbaren Akku ausgestattet. Die Anschlüsse sind eingelassen und ein luftfahrttaugliches Aluminiumgehäuse bietet Schutz.



## Anschlüsse

- 1 MINI-B USB PORT**  
Ermöglicht die Verbindung mit der Blackmagic Converters Setup Software über einen Mac OS X oder Windows Computer. Die Produktsoftware der Mini Converter wird ebenfalls über den USB-Port aktualisiert.
- 2 SDI OUT**  
BNC-Buchse für ausgehende SDI-Videosignale.
- 3 SDI OUT**  
Sekundärer SDI-Ausgang.
- 4 HDMI**  
HDMI Typ A Videoeingang.

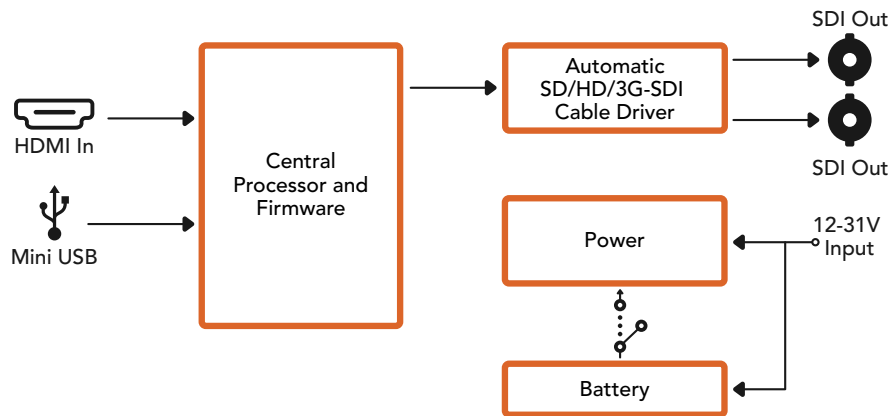
**5 ON BATT OFF**

Schaltet Akkustrom ein oder aus. Ist ON aktiviert, läuft der Battery Converter während einer externen Stromunterbrechung weiter. Im OFF-Modus wird nur auf externen Strom zugegriffen, um internen Akkustrom zu sparen. Eine LED neben dem diesem Schalter informiert über den Akkuladestatus: Leuchtet sie durchgehend, ist der Akku voll. Blinkt sie dreimal bzw. zweimal, sind 50–90% bzw. 10–50% Akkustrom vorhanden. Ein einmaliges Blinken bedeutet weniger als 10% Akkustrom.

**6 POWER +12V**

Strombuchse für 12V-Netzteil.

Battery Converter HDMI to SDI Blockschaltbild



# Hilfe

## Hilfestellung

Am schnellsten erhalten Sie Hilfe online über die Support-Seiten der Website von Blackmagic Design. Sehen Sie dort nach dem aktuellsten Support-Material für Ihren Blackmagic Converter.

### **Blackmagic Design Online Support Seiten**

Die aktuellsten Versionen der Bedienungsanleitung, Produktsoftware und der Support-Hinweise finden Sie im Blackmagic Support Center unter <https://www.blackmagicdesign.com/de/support>.

### **Blackmagic Design Forum**

Das Blackmagic Design Forum auf unserer Website ist eine praktische Ressource, das Sie für mehr Information und kreative Ideen aufsuchen können. Manchmal finden Sie dort schnellere Lösungen, da möglicherweise bereits Antworten auf ähnliche Fragen von anderen erfahrenen Anwendern und Blackmagic Design Mitarbeitern vorliegen, die Ihnen weiterhelfen. Das Forum finden Sie unter <http://forum.blackmagicdesign.com>.

### **Kontaktaufnahme mit Blackmagic Design Support**

Wenn unser Support-Material oder das Forum Ihnen nicht wie gewünscht helfen, gehen Sie bitte auf unsere Support-Seite und schicken Sie uns Ihre Anfrage über „Senden Sie uns eine E-Mail“. Oder klicken Sie auf „Finden Sie Ihr lokales Support-Team“ und rufen Sie Ihre nächstgelegene Blackmagic Design Support Stelle an.

### **Überprüfen der aktuell installierten Softwareversion**

Um zu überprüfen, welche Version der Blackmagic Converters Setup Software auf Ihrem Computer installiert ist, öffnen Sie das Fenster „About Blackmagic Converters Setup“.

- Öffnen Sie unter Mac OS X das Blackmagic Converters Setup Dienstprogramm über den Ordner Programme. Wählen Sie im Anwendungsmenü „About Blackmagic Converters Setup“, um die Versionsnummer nachzusehen.
- Öffnen Sie unter Windows 7 das Blackmagic Converters Setup Dienstprogramm über das Menü „Start“. Klicken Sie auf das Menü „Hilfe“ und wählen Sie „About Blackmagic Converters Setup“ aus, um die Versionsnummer nachzusehen.
- Öffnen Sie unter Windows 8 das Blackmagic Converters Setup Dienstprogramm über die Blackmagic Converters Setup Kachel auf Ihrem Startbildschirm. Klicken Sie auf das Menü „Hilfe“ und wählen Sie „About Blackmagic Converters Setup“ aus, um die Versionsnummer nachzusehen.

### **So erhalten Sie die aktuellsten Software-Updates**

Prüfen Sie zunächst die Versionsnummer der auf Ihrem Computer installierten Blackmagic Converters Setup Software. Besuchen Sie dann das Blackmagic Design Support Center unter [www.blackmagicdesign.com/de/support](http://www.blackmagicdesign.com/de/support) und sehen Sie dort nach den neuesten Updates. In der Regel empfiehlt es sich, die neuesten Updates zu laden. Vermeiden Sie jedoch Software-Updates mitten in einem wichtigen Projekt.

# Garantie

## Eingeschränkte Garantie

Für Geräte der Produktfamilie Teranex Mini Converters gewährt Blackmagic Design eine Garantie auf Material- und Verarbeitungsfehler von 36 Monaten ab Kaufdatum mit Ausnahme von Steckverbindern, Kabeln, Glasfasermodulen, Sicherungen und Batterien, für die eine Garantie auf Material- und Verarbeitungsfehler von 12 Monaten ab dem Kaufdatum gewährt wird. Für Battery Converter gewährt Firma Blackmagic Design eine Garantie auf Material- und Verarbeitungsfehler von 12 Monaten ab Kaufdatum. Sollte sich ein Produkt innerhalb dieser Garantiezeit als fehlerhaft erweisen, wird die Firma Blackmagic Design nach ihrem Ermessen das defekte Produkt entweder ohne Kostenerhebung für Teile und Arbeitszeit reparieren oder Ihnen das defekte Produkt ersetzen.

Zur Inanspruchnahme der Garantieleistungen müssen Sie als Kunde Blackmagic Design über den Defekt innerhalb der Garantiezeit in Kenntnis setzen und die entsprechenden Vorkehrungen für die Leistungserbringung treffen. Es obliegt dem Kunden, für die Verpackung und den bezahlten Versand des defekten Produkts an ein spezielles von Blackmagic Design benanntes Service Center zu sorgen und hierfür aufzukommen. Sämtliche Versandkosten, Versicherungen, Zölle, Steuern und sonstige Abgaben im Zusammenhang mit der Rücksendung von Waren an uns, ungeachtet des Grundes, sind vom Kunden zu tragen.

Diese Garantie gilt nicht für Mängel, Fehler oder Schäden, die durch unsachgemäße Handhabung oder unsachgemäße oder unzureichende Wartung und Pflege verursacht wurden. Blackmagic Design ist im Rahmen dieser Garantie nicht verpflichtet, die folgenden Serviceleistungen zu erbringen: a) Behebung von Schäden infolge von Versuchen Dritter, die Installation, Reparatur oder Wartung des Produkts vorzunehmen, b) Behebung von Schäden aufgrund von unsachgemäßer Handhabung oder Anschluss an nicht kompatible Geräte, c) Behebung von Schäden oder Störungen, die durch die Verwendung von nicht Blackmagic-Design-Ersatzteilen oder -Verbrauchsmaterialien entstanden sind, d) Service für ein Produkt, das verändert oder in andere Produkte integriert wurde, sofern eine solche Änderung oder Integration zu einer Erhöhung des Zeitaufwands oder zu Schwierigkeiten bei der Wartung des Produkts führt. ÜBER DIE IN DIESER GARANTIEERKLÄRUNG AUSDRÜCKLICH AUFGEFÜHRTEN ANSPRÜCHE HINAUS ÜBERNIMMT BLACKMAGIC DESIGN KEINE WEITEREN GARANTIEN, WEDER AUSDRÜCKLICH NOCH STILLSCHWEIGEND. DIE FIRMA BLACKMAGIC DESIGN UND IHRE HÄNDLER LEHNEN JEDLICHE STILLSCHWEIGENDEN GARANTIEN IN BEZUG AUF AUSSAGEN ZUR MARKTGÄNGIGKEIT UND GEBRAUCHSTAUGLICHKEIT FÜR EINEN BESTIMMTEN ZWECK AB. DIE VERANTWORTUNG VON BLACKMAGIC DESIGN, FEHLERHAFTE PRODUKTE ZU REPARIEREN ODER ZU ERSETZEN, IST DIE EINZIGE UND AUSSCHLIESSLICHE ABHILFE, DIE GEGENÜBER DEM KUNDEN FÜR ALLE INDIREKTEN, SPEZIELLEN, NEBEN- ODER FOLGESCHÄDEN ZUR VERFÜGUNG GESTELLT WIRD, UNABHÄNGIG DAVON, OB BLACKMAGIC DESIGN ODER DER HÄNDLER VON DER MÖGLICHKEIT SOLCHER SCHÄDEN ZUVOR IN KENNTNIS GESETZT WURDE. BLACKMAGIC DESIGN IST NICHT HAFTBAR FÜR JEDLICHE WIDERRECHTLICHE VERWENDUNG DER GERÄTE DURCH DEN KUNDEN. BLACKMAGIC HAFTET NICHT FÜR SCHÄDEN, DIE SICH AUS DER VERWENDUNG DES PRODUKTS ERGEBEN. NUTZUNG DES PRODUKTS AUF EIGENE GEFAHR.

© Copyright 2018 Blackmagic Design. Alle Rechte vorbehalten. „Blackmagic Design“, „DeckLink“, „HDLink“, „Workgroup Videohub“, „Multibridge Pro“, „Multibridge Extreme“, „Intensity“ und „Leading the creative video revolution“ sind eingetragene Warenzeichen in den USA und in anderen Ländern. Alle anderen Unternehmens- und Produktnamen sind möglicherweise Warenzeichen der jeweiligen Firmen, mit denen sie verbunden sind.





Manual de instalación y funcionamiento

# Conversores Blackmagic

Junio 2018

Español



## Bienvenido

Gracias por haber adquirido este producto.

La gama de convertidores que ofrece Blackmagic Design brindan una solución excepcional para realizar todo tipo de conversiones. Los modelos Mini Converter permiten procesar formatos analógicos y digitales, modificar el formato del material original, distribuir señales SDI y generar referencias para sincronizar todos los equipos. Las versiones Heavy Duty brindan las mismas prestaciones con un diseño sólido y resistente que resulta ideal para producciones en exteriores, mientras que el Battery Converter ofrece la posibilidad de utilizar fuentes de alimentación externas. Por otra parte, los dispositivos Micro Converter son aún más pequeños y han sido diseñados para facilitar la compatibilidad entre equipos SDI y HDMI.

Este manual de instrucciones brinda toda la información necesaria relativa a los diferentes modelos.

En la página de soporte técnico de nuestro sitio web encontrarás su versión más reciente, así como actualizaciones para el software interno del dispositivo. Recuerda mantenerlo actualizado para tener acceso a las prestaciones más recientes. Por último, no olvides registrarte para que podamos mantenerte informado sobre nuevos lanzamientos. Trabajamos constantemente para desarrollar herramientas innovadoras y superarnos, de modo que nos encantaría conocer tu opinión.

**Grant Petty**

Director ejecutivo, Blackmagic Design



# Índice

## Conversores Blackmagic

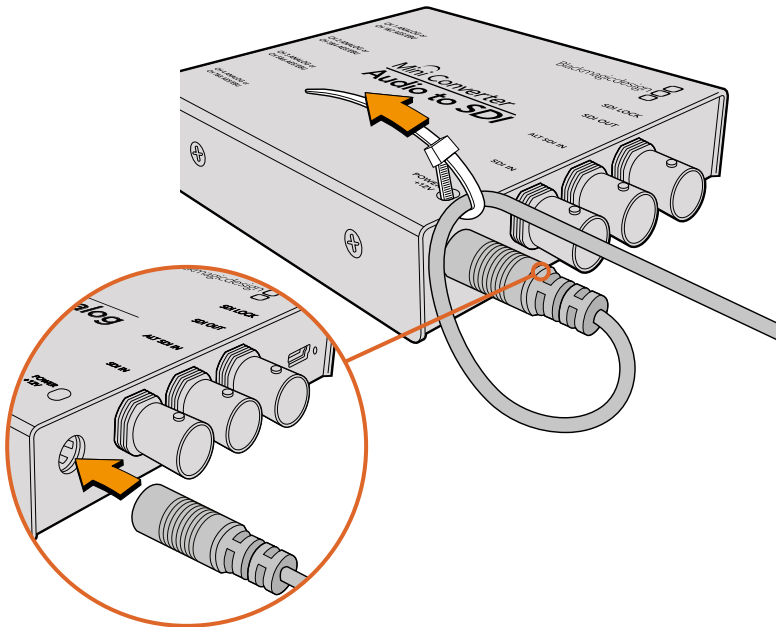
<b>Primeros pasos</b>	<b>365</b>	Mini Converter HDMI to SDI	391
Conexión del cable de alimentación	365	Mini Converter HDMI to SDI 4K	394
Conexiones de video	366	Mini Converter HDMI to SDI 6G	397
Conexiones de audio	367	Mini Converter SDI to Analog	400
<b>Instalación del programa utilitario</b>	<b>368</b>	Mini Converter SDI to Analog 4K	405
Instalación del programa		Mini Converter Analog to SDI	409
Blackmagic Converters Setup	368	Mini Converter SDI to Audio	413
Actualización del software interno	369	Mini Converter SDI to Audio 4K	416
Actualización del modelo Mini Converter SDI Distribution 4K	370	Mini Converter Audio to SDI	419
<b>Configuración</b>	<b>371</b>	Mini Converter Audio to SDI 4K	423
Configuración mediante interruptores	371	Mini Converter Optical Fiber	427
Configuración mediante el programa Blackmagic Converters Setup	372	Mini Converter Optical Fiber 4K	428
Pestaña «About»	373	Mini Converter Optical Fiber 12G	429
<b>Conversores Blackmagic</b>	<b>373</b>	Mini Converter Quad SDI to HDMI 4K	430
<b>Modelos Teranex Mini</b>	<b>373</b>	Mini Converter SDI Distribution	431
<b>Modelos Micro Converter</b>	<b>374</b>	Mini Converter SDI Distribution 4K	432
Micro Converter SDI to HDMI	374	Mini Converter SDI Multiplex 4K	433
Micro Converter HDMI to SDI	375	Mini Converter Sync Generator	436
Micro Converter BiDirectional SDI/HDMI	377	Mini Converter UpDownCross	439
<b>Modelos Mini Converter</b>	<b>379</b>	Mini Converter UpDownCross HD	443
Mini Converter SDI to HDMI	379	Interruptores	444
Mini Converter SDI to HDMI 4K	382	<b>Modelos Battery Converter</b>	<b>447</b>
Mini Converter SDI to HDMI 6G	386	Battery Converter SDI to HDMI	447
		Battery Converter HDMI to SDI	448
		<b>Ayuda</b>	<b>450</b>
		<b>Garantía</b>	<b>451</b>

# Primeros pasos

Comenzar a usar el dispositivo es muy simple. Además del cable de alimentación, solo es necesario conectar una fuente a la entrada para señales de video y la salida al equipo de destino.

## Conexión del cable de alimentación

Conecte la fuente de alimentación de 12 voltios mediante el adaptador correspondiente. Utilice el sujetador de cables integrado (dependiendo del modelo) para afirmarlo.



Sujete el cable para evitar que se desconecte accidentalmente.

### Modelos Micro Converter

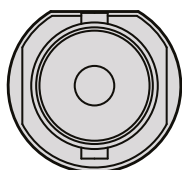
Los modelos Micro Converter se alimentan mediante el conector micro-USB. Este brinda mayor flexibilidad y conveniencia. Por ejemplo, se puede suministrar energía al conversor utilizando el cargador incluido con algunos modelos de teléfonos móviles o incluso a través del puerto USB de un equipo informático. Basta que el dispositivo empleado para tal fin sea capaz de proporcionar una corriente eléctrica de 5 voltios.

### Modelos Battery Converter

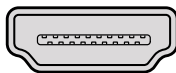
Estos modelos cuentan con un interruptor denominado **ON BATT OFF** que permite alternar entre la fuente de alimentación externa y la batería. Cuando se encuentra en la posición **ON**, el dispositivo continuará funcionando aun si se interrumpe el suministro eléctrico. Cuando se coloca en la posición **OFF**, solo se utiliza la fuente de alimentación externa para no gastar la batería. El indicador luminoso situado cerca del interruptor permanece encendido cuando la batería se encuentra totalmente cargada. Este parpadea tres veces cuando el nivel de carga restante se sitúa entre 50 y 90 %, dos veces entre 10 y 50 %, y una vez si es menor de 10 %.

## Conexiones de video

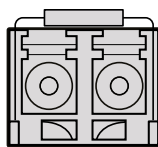
Conecte la fuente a la entrada para señales de video y la salida al equipo de destino.



BNC



HDMI

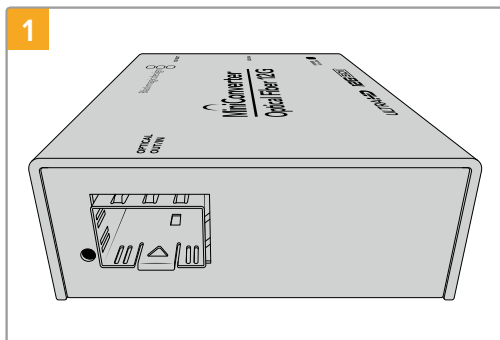


Optical Fiber

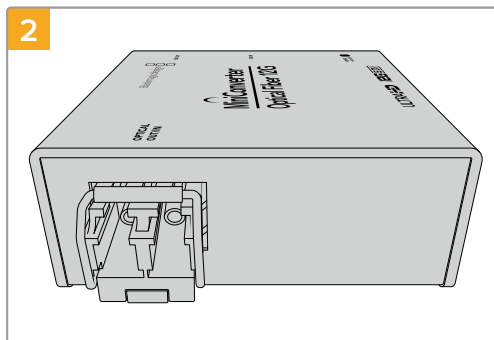
El dispositivo puede incluir conectores BNC, HDMI o LC, según el modelo.

## Conexiones para fibra óptica

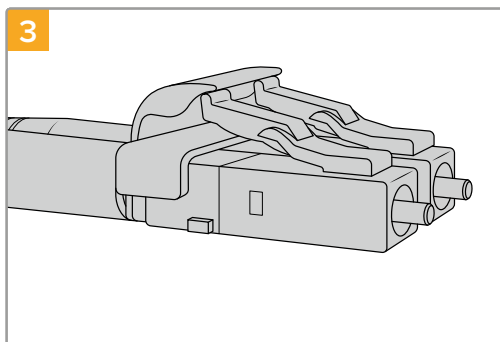
Algunos de los modelos de convertidores de Blackmagic incluyen un compartimento compatible con módulos SFP de fibra óptica para señales SDI 3G, 6G y 12G. Dichos módulos son transmisores y receptores ópticos que cuentan con conexiones para cables de fibra óptica.



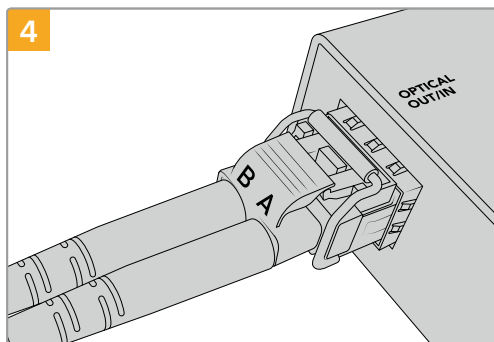
Asegúrese de que el compartimento no tiene polvo.



Retire la cubierta protectora del módulo SFP e insértelo en el compartimento. Empújelo hasta que encaje en su lugar.



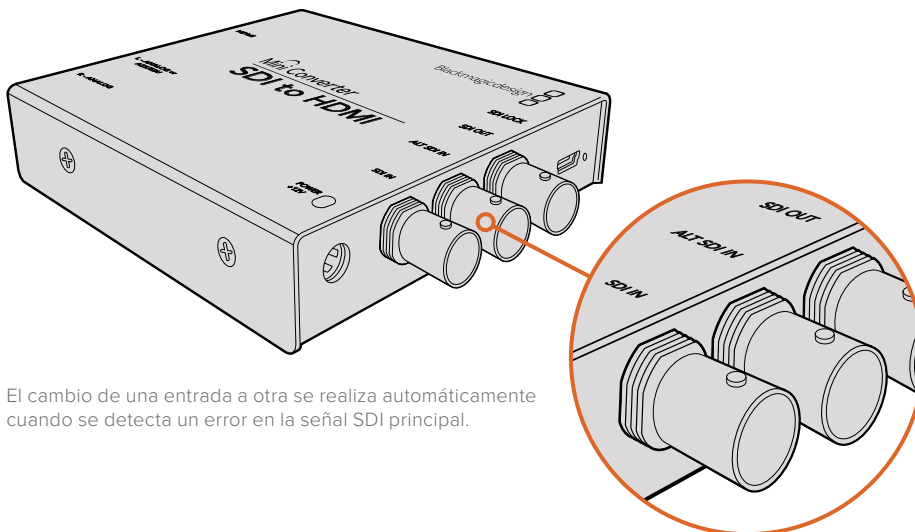
El cable de fibra óptica tiene pestañas de seguridad en la parte superior que impiden que se desconecte.



Conecte los cables de fibra óptica. Asegúrese de que la entrada y la salida estén conectadas a los compartimentos correspondientes y que las pestañas de bloqueo mantengan la cuña del módulo SFP en su posición.

### Entradas SDI alternativas

Algunos modelos de convertidores cuentan con entradas SDI adicionales de respaldo. Estas se denominan **ALT SDI IN** y entran en funcionamiento inmediatamente cuando ocurre un problema con la entrada principal. Si esto sucede, el indicador SDI LOCK se encenderá de forma intermitente para señalar que el dispositivo está usando la entrada alternativa.

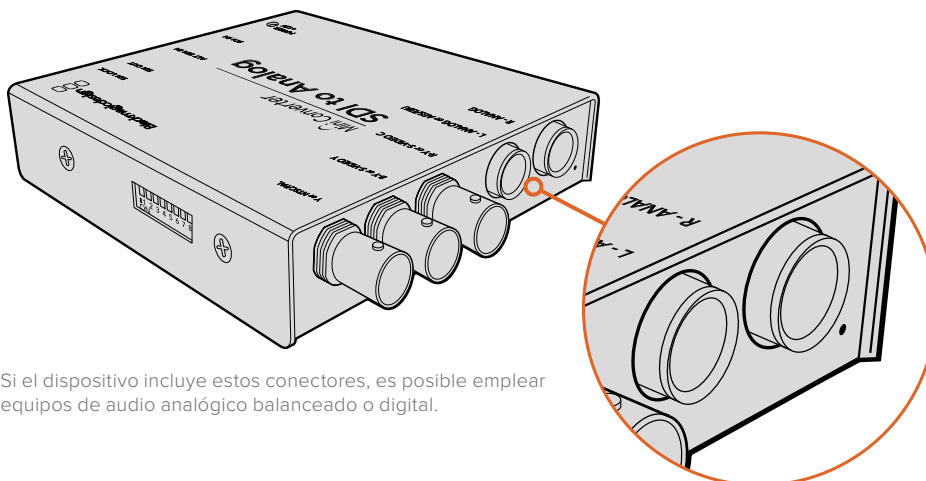


El cambio de una entrada a otra se realiza automáticamente cuando se detecta un error en la señal SDI principal.

## Conexiones de audio

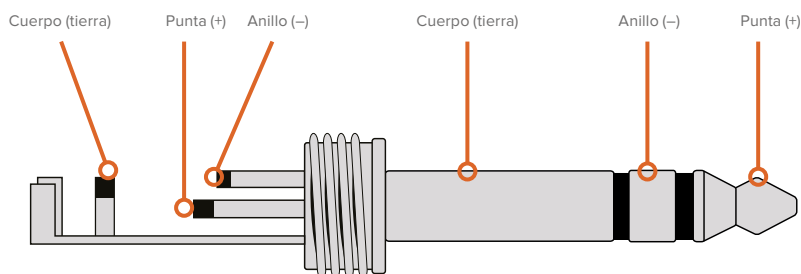
### Conectores de entrada

Algunos modelos cuentan con conectores de 0.25 pulgadas que permiten utilizar fuentes de audio externas analógicas o digitales (AES/EBU). El tipo de conexión es TRS (del inglés «Tip, Ring, Sleeve»). Esta denominación hace referencia a los tres tipos de contactos presentes: punta, anillo y cuerpo.



Si el dispositivo incluye estos conectores, es posible emplear equipos de audio analógico balanceado o digital.

A continuación se proporciona un diagrama del conector para que el usuario pueda fabricar sus propios cables de ser necesario.



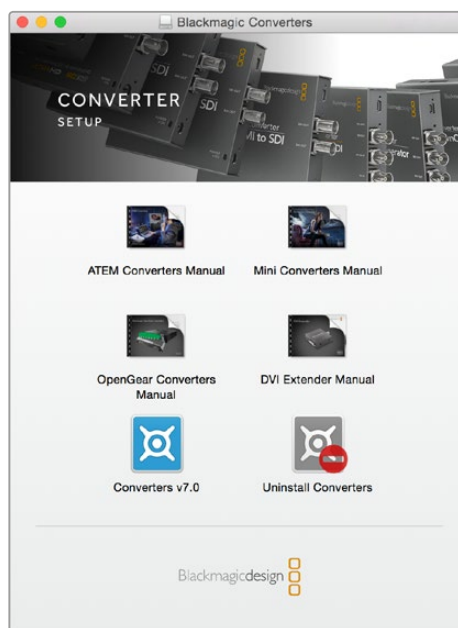
La ilustración anterior muestra los pines positivos, los negativos y las conexiones a tierra. Para invertir la polaridad del cable de audio analógico a fin de adaptarlo a un equipo determinado, basta con intercambiar la conexión positiva y negativa del aro y la punta del conector.

**NOTA:** En el caso de señales analógicas en estéreo, asegúrese de invertir la polaridad de los conectores para ambos canales, a fin de evitar un desfase en el audio.

## Instalación del programa utilitario

### Instalación del programa Blackmagic Converters Setup

Este programa permite modificar la configuración del convertidor y actualizar el software interno. Las opciones disponibles varían según el modelo utilizado. Cabe destacar que aquellos sin puerto USB no tienen software interno ni brindan la posibilidad de realizar ajustes. Si ha adquirido uno de estos, consulte el apartado correspondiente en este manual para obtener más información.



El programa Blackmagic Converters Setup puede instalarse en equipos informáticos con sistema operativo Mac OS X o Windows.

#### Instalación en Mac OS X

- 1 Descargue el programa desde el sitio [www.blackmagicdesign.com/es](http://www.blackmagicdesign.com/es).
- 2 Descomprima el archivo y abra la imagen de disco para ver el contenido.
- 3 Haga doble clic en el instalador de la aplicación y siga las instrucciones en pantalla para completar el procedimiento.
- 4 Al finalizar, haga clic en **Close**. El programa quedará instalado en el equipo.

## Instalación en Windows

- 1 Descargue el programa desde el sitio [www.blackmagicdesign.com/es](http://www.blackmagicdesign.com/es).
- 2 Descomprima el archivo obtenido. Verá una carpeta denominada Blackmagic Converters Setup que contiene este manual y el archivo de instalación.
- 3 Haga doble clic en el instalador de la aplicación y siga las instrucciones en pantalla para completar el procedimiento.
- 4 Al finalizar, haga clic en **Finish**.

El programa quedará instalado en el equipo.

## Actualización del software interno

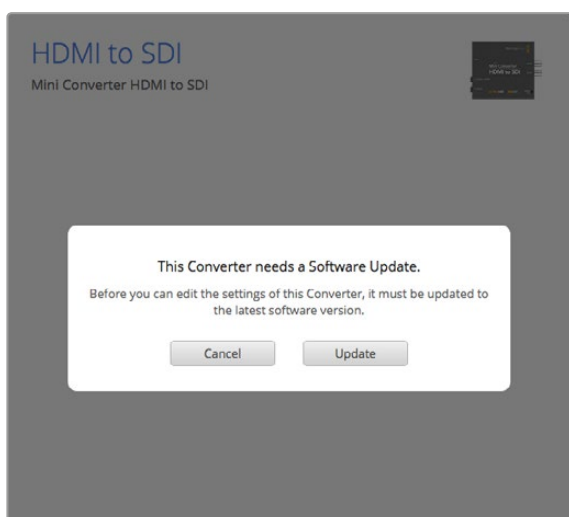
Los modelos con puerto USB permiten modificar diferentes ajustes y además actualizar el software interno del dispositivo. La versión más reciente puede descargarse desde la página de soporte técnico en el sitio web de Blackmagic Design: <https://www.blackmagicdesign.com/es/support>.

En los modelos Blackmagic Micro Converters, no es necesario garantizar el suministro eléctrico durante el proceso de actualización, ya que el dispositivo se carga a través del puerto USB.

En las versiones Blackmagic Mini Converters, Battery Converters y Mini Converters Heavy Duty, es preciso asegurarse de que el dispositivo esté enchufado antes de conectarlo al equipo informático mediante el puerto USB.

- 1 Enchufe el convertidor.
- 2 Conéctelo al equipo informático mediante un cable USB y abra el programa Blackmagic Converter Setup.

El modelo del dispositivo aparecerá en la ventana de inicio. Si hay más de un convertidor conectado, seleccione la unidad correspondiente mediante las flechas situadas a ambos lados de la ventana.



El programa le indicará que actualice el software interno en caso de que sea necesario.

Si no hay un dispositivo conectado, la ventana de inicio mostrará el siguiente mensaje:

**No converters found.** En caso de que el convertidor este conectado al equipo informático pero no a una red de suministro eléctrico, se mostrará el siguiente mensaje: **No power connected.**

Simplemente enchufe el dispositivo para acceder a los distintos ajustes.

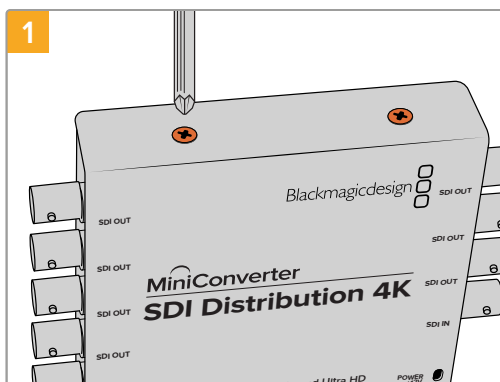
El programa le solicitará actualizar el software interno si detecta que la versión instalada en el dispositivo no es la más reciente. Para tal fin, siga las instrucciones que se indican en la pantalla.

## Actualización del modelo Mini Converter SDI Distribution 4K

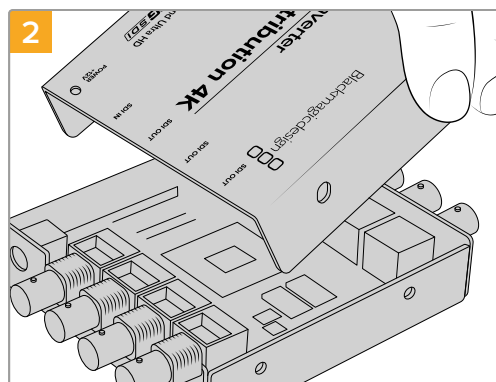
El dispositivo Blackmagic Mini Converter SDI Distribution 4K incluye un conector USB interno. Dado que no cuenta con ajustes personalizables, no es necesario conectarlo para ejecutar un programa de configuración. No obstante, de manera ocasional, se lanzan actualizaciones del software interno del convertidor, a fin de mejorar su compatibilidad con otros dispositivos. Por ejemplo, la versión 7.0.9 para los modelos Blackmagic Mini Converter permite procesar señales SDI 3G (nivel A).

En caso de que el equipamiento empleado con el modelo Mini Converter SDI Distribution 4K requiera una actualización específica, siga los pasos siguientes para acceder al puerto USB interno:

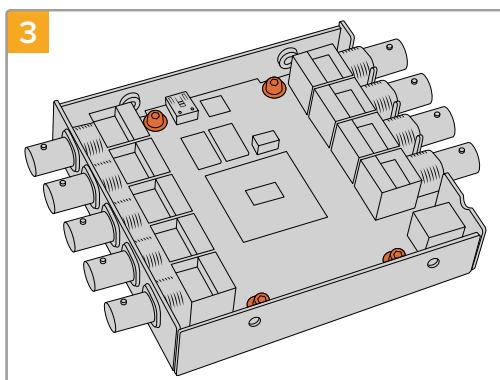
**NOTA:** Asegúrese de desconectar la fuente de alimentación antes de acceder al dispositivo. Recomendamos que esta operación la lleve a cabo un profesional, empleando un brazaletе antiestático.



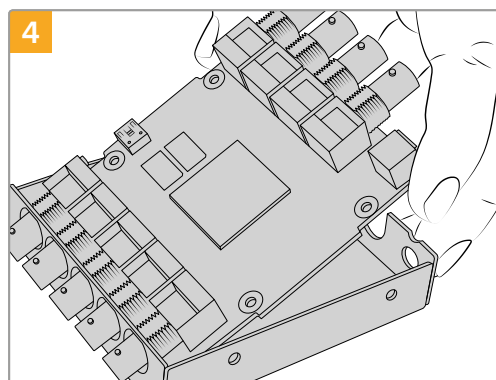
Extraiga los cuatro tornillos M3 que se encuentran a los lados del convertidor empleando un destornillador de estrella.



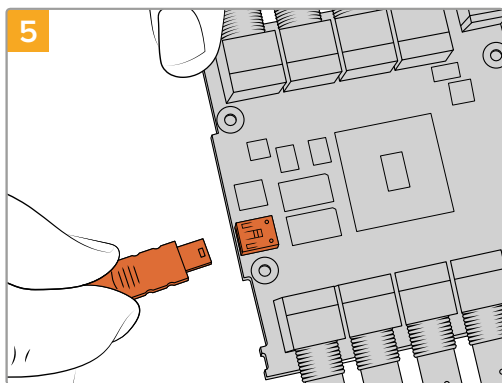
Retire la cubierta externa.



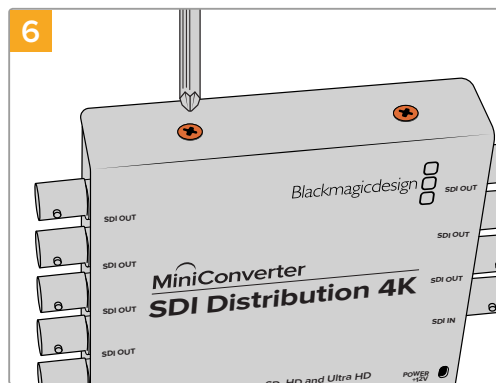
Extraiga los cuatro tornillos que mantienen unida la placa de circuitos al marco del dispositivo utilizando un destornillador T10 Torx.



Retire la placa con cuidado para acceder al conector USB.



Conecte el modelo Mini Converter SDI Distribution 4K a la fuente de alimentación y a un equipo informático mediante un cable USB. Actualice el software interno, tal y como lo haría con cualquier otro conversor.



Siga las instrucciones en orden inverso para volver a ensamblar el dispositivo.

**NOTA:** Al manipular la placa de circuitos del modelo Mini Converter SDI Distribution 4K, sujétela con cuidado y siempre por las esquinas, a fin de prevenir un corto circuito accidental de los componentes internos.

## Configuración

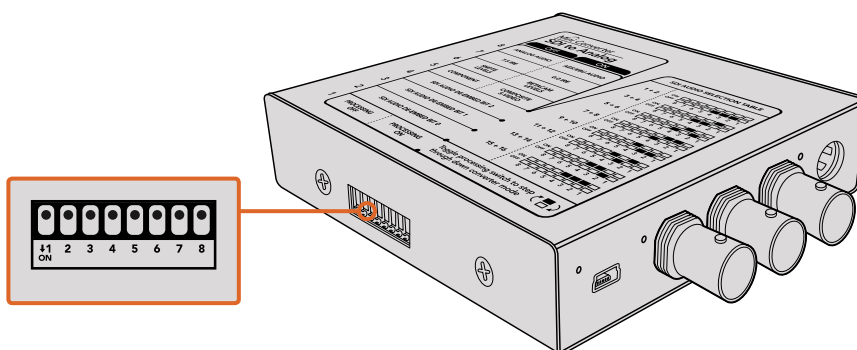
Existen dos formas de configurar el dispositivo si este ofrece diferentes opciones. Se pueden utilizar los interruptores situados en el lateral del conversor o, de manera alternativa, el programa utilitario Blackmagic Converters Setup. Este también permite ajustar parámetros que no es posible modificar mediante los interruptores, tales como los valores relativos a las señales de video analógicas y la intensidad del audio.

### Configuración mediante interruptores

Varios modelos de conversores cuentan con interruptores integrados.

Para cambiar una opción, simplemente mueva el interruptor hacia arriba o abajo con la punta de un bolígrafo. Esto permite activar o desactivar diferentes funciones. Hay ocho interruptores cuyas posiciones se combinan de diversas maneras para brindar las opciones necesarias al convertir material audiovisual.

En la parte inferior del dispositivo se proporciona un diagrama que explica su configuración. Compruebe que la posición de los interruptores coincida con dicho esquema observando los números correspondientes del 1 al 8, de izquierda a derecha.



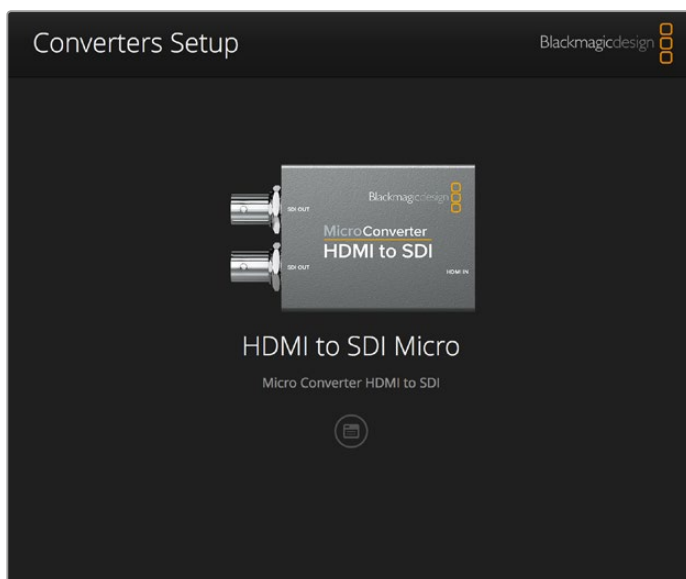
Utilice la punta de un bolígrafo para cambiar la posición de los interruptores.



Consulte el apartado correspondiente al modelo utilizado para obtener más información al respecto. Aunque la configuración de los interruptores se explica en la base de cada dispositivo, al actualizar el software interno se añaden nuevas prestaciones. Por lo tanto, es aconsejable consultar la última versión de este manual para acceder a la información más reciente. Esta se encuentra disponible en la página de soporte técnico de Blackmagic Design: <https://www.blackmagicdesign.com/es/support>.

## Configuración mediante el programa Blackmagic Converters Setup

Una vez instalado el programa, conecte el equipo informático al conversor mediante el puerto USB.



El programa Blackmagic Converters Setup permite modificar la configuración del conversor y actualizar el software interno mediante los sistemas operativos Mac OS X o Windows.

Al ejecutar el programa, se abre una ventana que muestra la pantalla principal. Si hay más de un conversor conectado, seleccione el modelo correspondiente mediante las flechas situadas a ambos lados de la ventana.

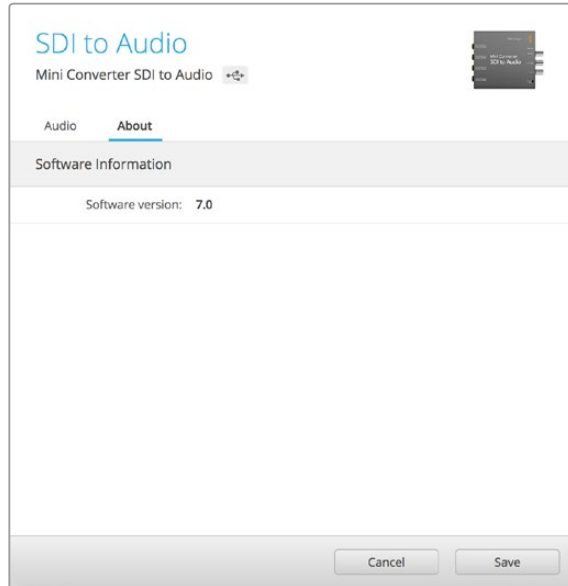
Haga clic en el ícono que aparece debajo de la imagen del dispositivo para modificar su configuración. Las modificaciones realizadas se guardarán de inmediato. De esta manera, ante cualquier problema con la fuente de alimentación, la configuración se restablecerá una vez que se reanude el suministro eléctrico.

Aunque la mayoría de las opciones se establecen mediante los interruptores, algunos parámetros tales como los valores relativos a las señales analógicas o la intensidad del audio solo se pueden modificar a través del programa utilitario.

**SUGERENCIA:** Todos los conversores de la línea Teranex Mini disponen de tecnología SDI 12G y permiten procesar una mayor cantidad de formatos, incluso en definición DCI 4K a 60p. Para obtener más información sobre estos modelos, consulte el manual correspondiente. Este se encuentra disponible en la página de soporte técnico de nuestro sitio web.

## Pestaña «About»

Esta pestaña del programa Blackmagic Converters Setup es igual para todos los modelos de conversores y permite cambiar el nombre del dispositivo. Para ello, basta con ingresarlo el cuadro de texto **Name**. A continuación, haga clic en **Save** para confirmar el cambio.



La pestaña **About** permite cambiar el nombre del dispositivo. Asimismo, es posible comprobar la versión del programa utilitario instalada en el conversor.

En la sección **Software Information** se muestra la versión del software instalado en el conversor. Si se detecta que hay una versión más reciente disponible, aparecerá un botón denominado **Update** que permite realizar la actualización.

## Conversores Blackmagic

Los conversores de Blackmagic brindan una solución práctica para convertir todo tipo de contenidos. Por ejemplo, los modelos Mini Converter son livianos y resistentes, lo cual permite colocarlos sobre equipos de video o bandejas deslizantes. Los dispositivos Battery Converter cuentan con una batería recargable integrada que ofrece una mayor portabilidad. Por su parte, las dos versiones de la línea Mini Converter facilitan el procesamiento de señales SDI o HDMI y pueden alimentarse a través del puerto USB.

Las siguientes páginas contienen información sobre los distintos modelos de conversores y las opciones de configuración que ofrecen los interruptores y el programa utilitario.

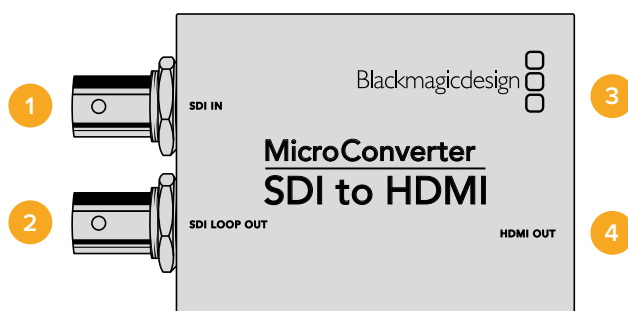
## Modelos Teranex Mini

Estos modelos disponen de tecnología SDI 12G y permiten procesar formatos en definición DCI 4K a 60p. Se pueden controlar mediante un panel inteligente opcional que ofrece una pantalla de cristal líquido, un mando giratorio y varios botones. Asimismo, es posible suministrarles energía eléctrica a través del puerto Ethernet. Para obtener más información sobre esta línea de conversores, consulte el manual correspondiente disponible en la página de soporte técnico de nuestro sitio web.

# Modelos Micro Converter

## Micro Converter SDI to HDMI

Este modelo permite conectar equipos con tecnología SDI a una gran variedad de proyectores y monitores HDMI. Detecta automáticamente la definición de la señal y brinda la posibilidad de integrar canales de audio al realizar la conversión. El dispositivo está protegido por un armazón de aluminio resistente y se alimenta a través de la conexión USB, de modo que es posible suministrarle corriente eléctrica mediante un televisor o un equipo informático. A tal fin, puede emplearse cualquier cable micro-USB utilizado para cargar teléfonos móviles. Si el conector es diferente, basta con adquirir el cable adecuado en cualquier tienda de insumos electrónicos.



## Conexiones

- 1 SDI IN**  
Entrada SDI principal con conector BNC.
- 2 SDI LOOP OUT**  
Salida SDI derivada con conector BNC.
- 3 USB POWER**  
Alimentación mediante el adaptador incluido o cualquier dispositivo capaz de proporcionar una corriente eléctrica de 5 voltios a través de un cable USB. También permite conectar el dispositivo a un equipo informático Mac OS X o Windows para utilizar el programa Blackmagic Converters Setup.
- 4 HDMI OUT**  
Salida HDMI tipo A.

## Opciones del programa Blackmagic Converters Setup

El programa Blackmagic Converters Setup permite modificar la configuración del convertidor y actualizar el software interno. Se puede acceder a las distintas opciones mediante las pestañas **Video** y **About**.

Para obtener más información sobre la pestaña **About**, consulte el apartado *Modificación de ajustes* en este manual.

A continuación se muestran los ajustes disponibles en la pestaña **Video**.

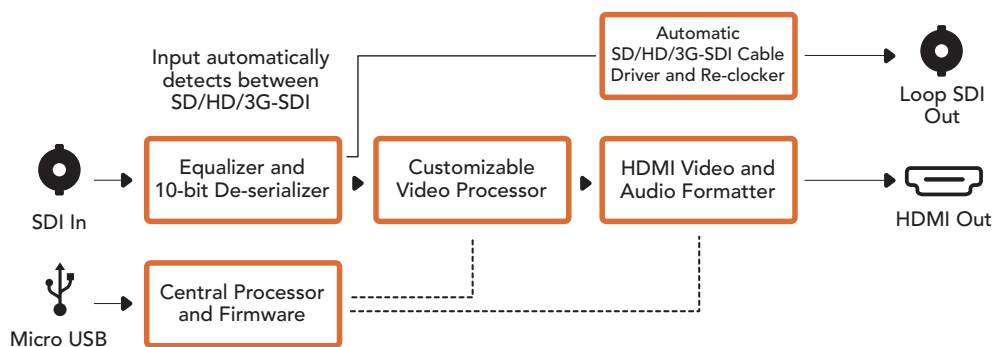


La casilla **Clip video output to legal levels** se encuentra marcada por defecto. Esto permite garantizar que la señal HDMI emitida sea un fiel reflejo de la señal SDI original.

### Procesamiento

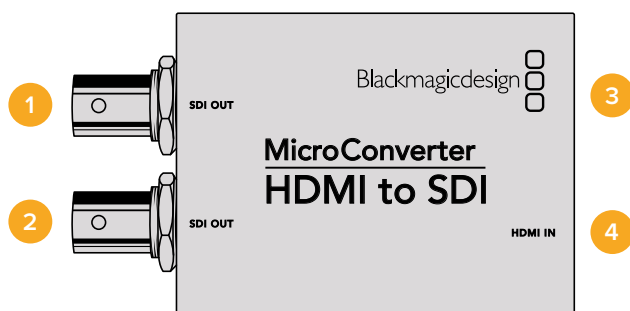
Al activar la opción **Clip video output to legal levels** se ajustan los parámetros de la señal SDI entrante, a fin de garantizar que se encuentren dentro del rango aceptable para el formato HDMI. Se aconseja dejar esta casilla marcada.

### Diagrama de bloques



## Micro Converter HDMI to SDI

Este modelo permite obtener una señal SDI a partir de dispositivos HDMI, tales como cámaras HDV y consolas de videojuegos, facilitando de este modo la transmisión de contenidos audiovisuales mediante cables de mayor longitud. Asimismo, brinda la posibilidad de añadir salidas SDI a equipos informáticos que disponen de conexiones HDMI. El dispositivo está protegido por un armazón de aluminio resistente y se alimenta a través de la conexión USB, de modo que es posible suministrarle corriente eléctrica mediante un televisor o un equipo informático. A tal fin, puede emplearse cualquier cable micro-USB utilizado para cargar teléfonos móviles. Si el conector es diferente, basta con adquirir el cable adecuado en cualquier tienda de insumos electrónicos.



## Conexiones

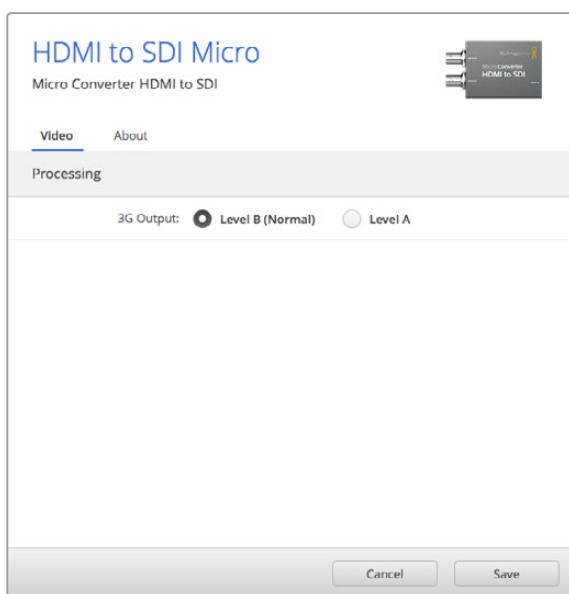
- 1 SDI OUT**  
Salida SDI con conector BNC.
- 2 SDI OUT**  
Salida SDI secundaria.
- 3 USB POWER**  
Alimentación mediante el adaptador incluido o cualquier dispositivo capaz de proporcionar una corriente eléctrica de 5 voltios a través de un cable USB. También permite conectar el dispositivo a un equipo informático Mac OS X o Windows para utilizar el programa Blackmagic Converters Setup y actualizar el software interno.
- 4 HDMI IN**  
Entrada HDMI tipo A.

## Opciones del programa Blackmagic Converters Setup

El programa Blackmagic Converters Setup permite modificar la configuración del convertor y actualizar el software interno. Se puede acceder a las distintas opciones mediante las pestañas **Video** y **About**.

Para obtener más información sobre la pestaña **About**, consulte el apartado *Modificación de ajustes* en este manual.

A continuación se muestran los ajustes disponibles en la pestaña **Video**.

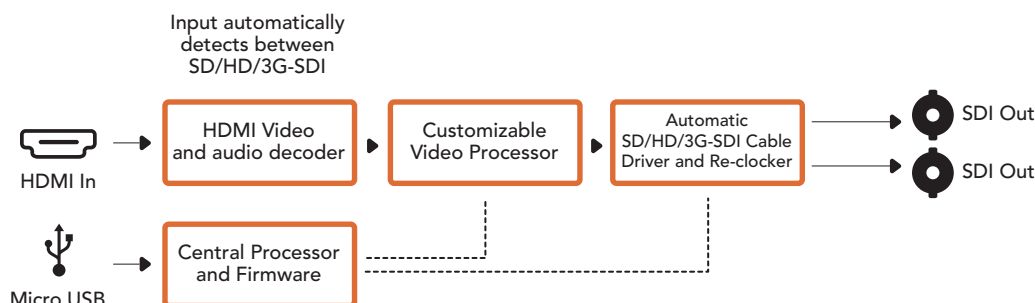


Las opciones de la pestaña **Video** permiten para cambiar los parámetros de la señal SDI.

## Procesamiento

La opción **3G Output** permite seleccionar el nivel de la señal SDI 3G (A o B). De este modo, se mantiene la compatibilidad con equipos que solo admiten uno de estos niveles. Nótese que el nivel B se encuentra seleccionado por defecto.

## Diagrama de bloques



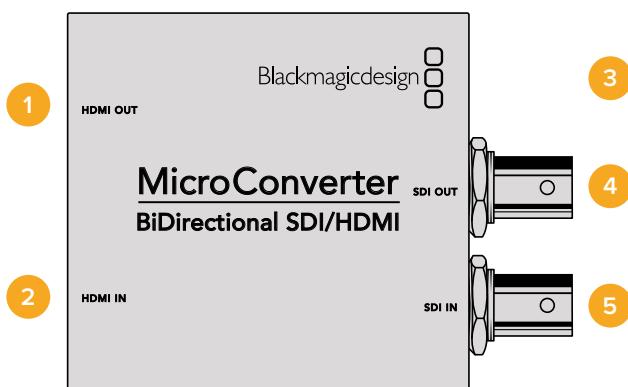
## Micro Converter BiDirectional SDI/HDMI

Este modelo permite convertir señales SDI a HDMI y viceversa simultáneamente, con canales de audio integrados. De este modo, por ejemplo, es posible transmitir las imágenes captadas por una cámara HDV mediante cables SDI de mayor longitud, o ver la señal SDI de retorno en televisores HDMI.

Al utilizar una sola entrada, las salidas SDI y HDMI pueden emplearse como salidas derivadas para conectar otros equipos SDI o HDMI.

Cabe destacar además que esta versión detecta automáticamente la definición original y ajusta el formato de salida para que coincida.

El dispositivo está protegido por un armazón de aluminio y se alimenta a través de la conexión USB, de modo que es posible suministrarle corriente eléctrica mediante un televisor o un equipo informático. A tal fin, puede emplearse cualquier cable micro-USB utilizado para cargar teléfonos móviles. Si el conector es diferente, basta con adquirir el cable adecuado en cualquier tienda de insumos electrónicos.



## Conectores

- 1 HDMI OUT**  
Salida HDMI tipo A.
- 2 HDMI IN**  
Entrada HDMI tipo A.

### 3 Micro-USB / Alimentación

Suministra una corriente eléctrica de 5 V mediante un cable Micro-USB convencional. Además permite conectar el convertidor a un equipo Mac o Windows para utilizar el programa Blackmagic Converters Setup.

### 4 SDI OUT

Salida SDI con conector BNC.

### 5 SDI IN

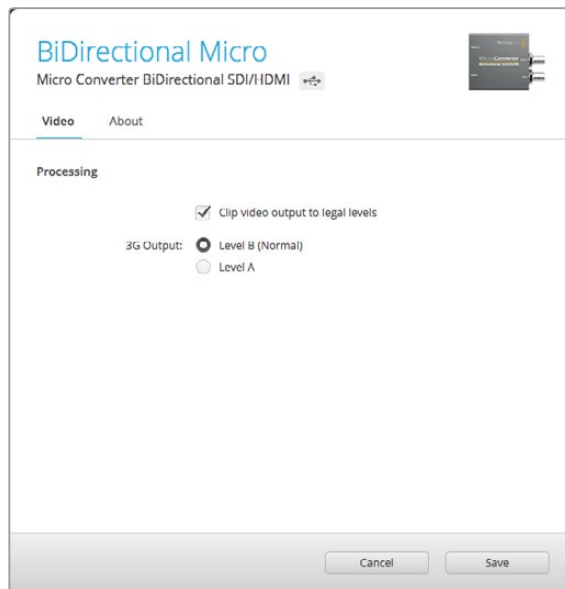
Entrada SDI con conector BNC.

## Opciones del programa Blackmagic Converters Setup

El programa Blackmagic Converters Setup permite configurar y actualizar el convertidor. Se puede acceder a estas opciones mediante las pestañas **Video** y **About**, situadas en la parte superior de la interfaz.

Consulte el apartado *Modificación de ajustes* para obtener más información sobre la pestaña **About**.

A continuación se muestran los ajustes disponibles en la pestaña **Video**.



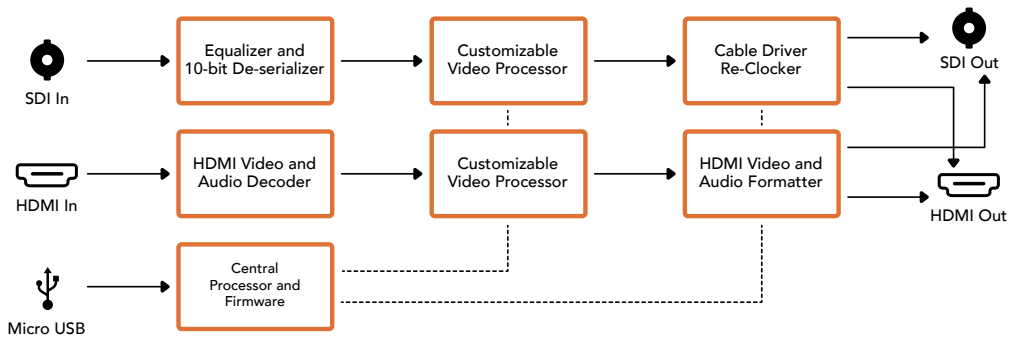
La casilla **Clip video output to legal levels** se encuentra marcada por defecto. Esto permite garantizar que la señal HDMI transmitida sea igual a la señal SDI original.

### Procesamiento de imágenes

Al activar la opción **Clip video output to legal levels**, se ajustan los parámetros de la señal SDI entrante, a fin de garantizar que se encuentren dentro del rango aceptable para el formato HDMI. Aconsejamos dejar esta casilla marcada.

La opción **3G Output** permite seleccionar el nivel de la señal SDI 3G (A o B). En consecuencia, es posible modificar el estándar de la señal SDI 3G transmitida, a fin de no perder compatibilidad con los equipos que solo admiten señales nivel A o B. La opción predeterminada es **Level B**.

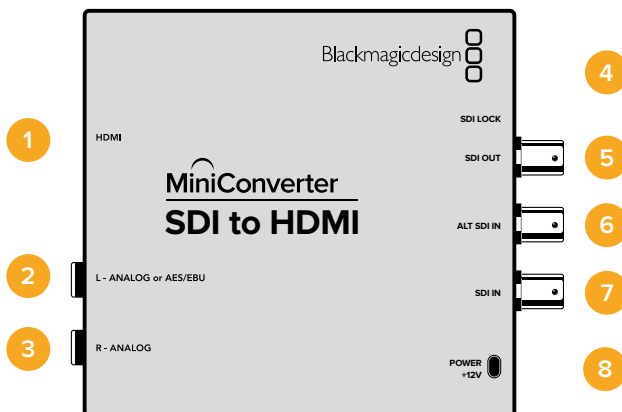
## Diagrama de bloques



# Modelos Mini Converter

## Mini Converter SDI to HDMI

Este modelo permite conectar equipos con tecnología SDI a una gran variedad de proyectores y monitores HDMI. Detecta automáticamente la definición de la señal y brinda la posibilidad de integrar canales de audio analógico o digital (AES/EBU) al realizar la conversión.



## Conexiones

- 1 HDMI**  
Salida HDMI tipo A.
- 2 L - ANALOG or AES/EBU**  
Salida para señales de audio analógicas balanceadas (canal izquierdo) o digitales con conector de 0.25 pulgadas.
- 3 R - ANALOG**  
Salida para señales de audio analógicas balanceadas (canal derecho) con conector de 0.25 pulgadas.
- 4 Puerto mini-USB tipo B**  
Permite conectar el dispositivo a un equipo informático Mac OS X o Windows para utilizar el programa Blackmagic Converters Setup. También sirve para actualizar el software interno del conector.
- 5 SDI OUT**  
Salida SDI con conector BNC.



- 6 ALT SDI IN**  
Entrada SDI adicional que puede utilizarse a modo de respaldo.
- 7 SDI IN**  
Entrada SDI principal.
- 8 POWER +12V**  
Entrada para fuente de alimentación de 12 voltios.

## Interruptores

### Interruptor 8 - Audio analógico, AES/EBU

Coloque este interruptor en la posición **OFF** para transmitir señales de audio analógicas balanceadas o en la posición **ON** para señales digitales en formato AES/EBU.

### Interruptor 4 - Aislar audio SDI, bit 2

Los interruptores 4, 3 y 2 ofrecen varias combinaciones posibles que permiten aislar ocho pares independientes de canales de audio y transmitirlos a través de la salida HDMI o AES/EBU.

### Interruptor 3 - Aislar audio SDI, bit 1

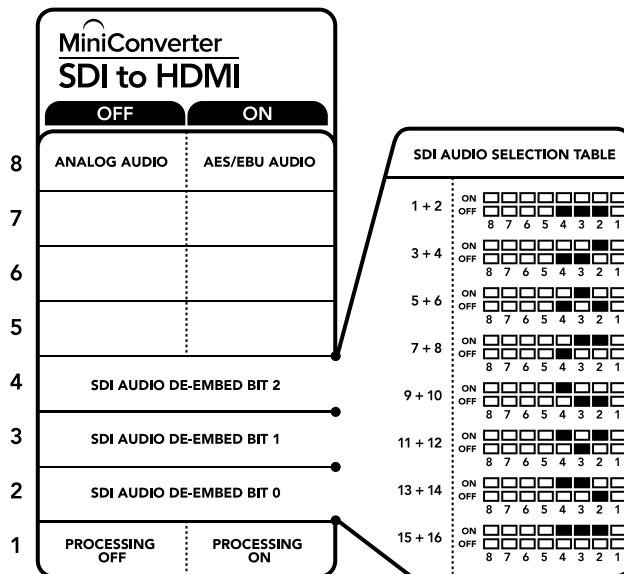
Ver descripción para el interruptor 4.

### Interruptor 2 - Aislar audio SDI, bit 0

Ver descripción para el interruptor 4.

### Interruptor 1- Activar/desactivar procesamiento

Este interruptor no se utiliza.



El diagrama situado en la base del convertidor proporciona toda la información necesaria para modificar su configuración.

### Ejemplo de configuración mediante los interruptores

Intente configurar el convertidor para aislar los canales de audio 1 y 2 de la señal SDI y transmitirlos mediante la salida analógica colocando los interruptores 8, 4, 3 y 2 en la posición **OFF**.

Tabla de referencia para canales de audio

Canales de audio	Interruptor 4	Interruptor 3	Interruptor 2	Diagrama
1 y 2	OFF	OFF	OFF	
3 y 4	OFF	OFF	ON	
5 y 6	OFF	ON	OFF	
7 y 8	OFF	ON	ON	
9 y 10	ON	OFF	OFF	
11 y 12	ON	OFF	ON	
13 y 14	ON	ON	OFF	
15 y 16	ON	ON	ON	

## Opciones del programa Blackmagic Converters Setup

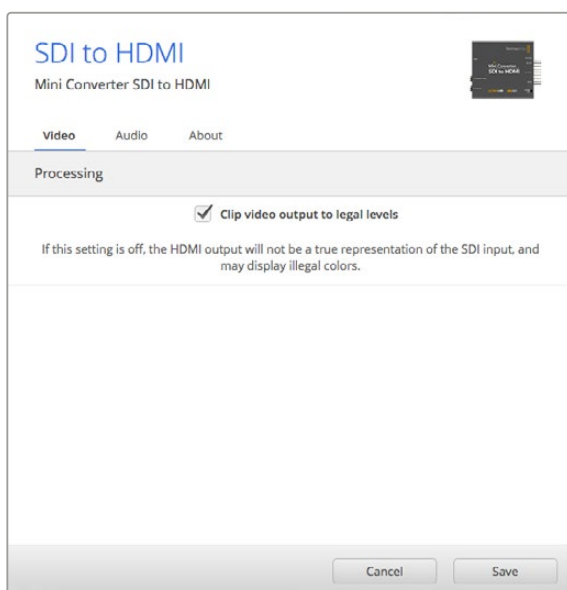
Este programa utilitario permite cambiar la configuración del convertidor y actualizar el software interno. Se puede acceder a las distintas opciones mediante las pestañas **Video**, **Audio** y **About**.

Para obtener más información sobre la pestaña **About**, consulte el apartado *Modificación de ajustes* en este manual.

A continuación se muestran los ajustes disponibles en la pestaña **Video**.

### Procesamiento

Al activar la opción **Clip video output to legal levels** se ajustan los parámetros de la señal SDI entrante, a fin de garantizar que se encuentren dentro del rango aceptable para el formato HDMI. Se aconseja dejar esta casilla marcada.

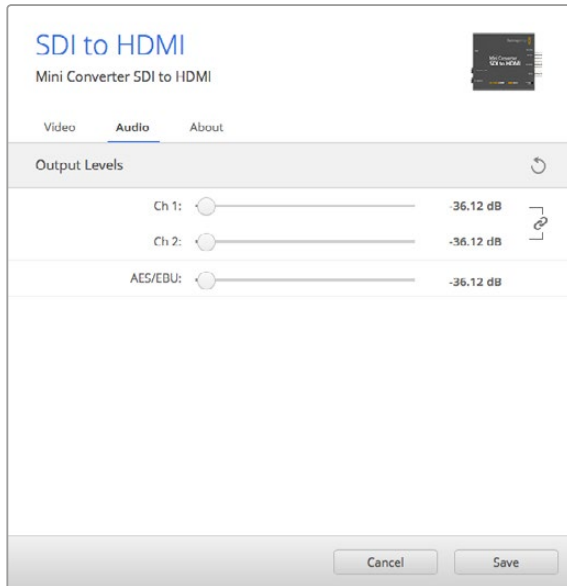


La casilla **Clip video output to legal levels** se encuentra marcada por defecto. Esto garantiza que la señal HDMI transmitida se mantenga dentro de los valores aceptables.

A continuación se muestran los ajustes disponibles en la pestaña **Audio**.

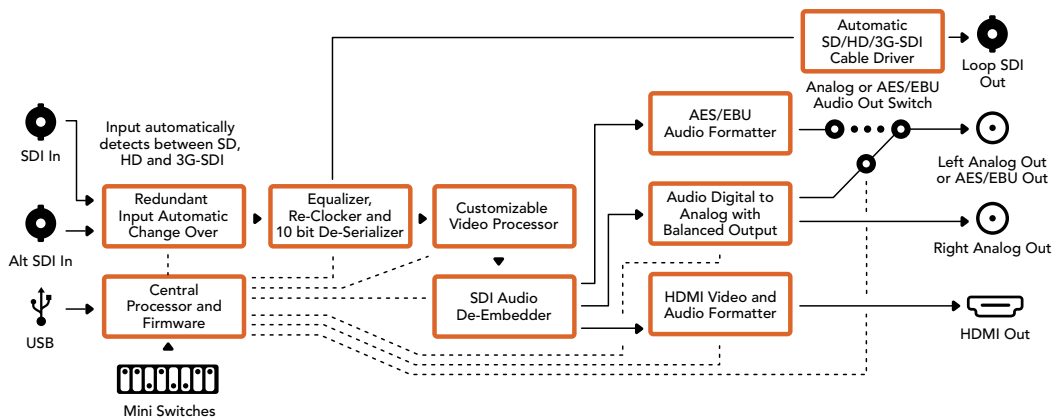
### Ganancia

El menú **Output Levels** permite ajustar la ganancia de la señal de audio transmitida. La intensidad de cada canal se puede modificar independientemente. De manera alternativa, para ajustar ambos canales en forma simultánea, haga clic en el ícono situado a la derecha de los controles deslizantes. Para restablecer los valores a 0 dB, haga clic en la flecha circular situada en el margen derecho de la ventana.



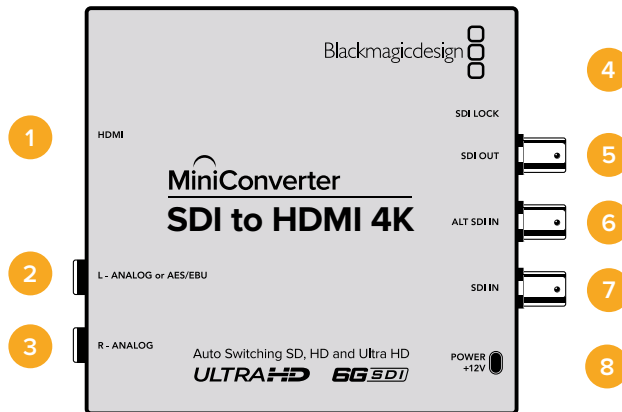
Las opciones de la pestaña **Audio** permiten ajustar la intensidad del volumen.

### Diagrama de bloques



## Mini Converter SDI to HDMI 4K

Este modelo y su versión Heavy Duty facilitan la conexión de equipos con tecnología SDI a una gran variedad de proyectores y monitores HDMI. Ambos dispositivos detectan automáticamente la definición de la señal original y brindan la posibilidad de integrar canales de audio analógico o digital (AES/EBU) al realizar la conversión. Asimismo, la función HDMI Instant Lock permite alternar entre distintas fuentes en un mismo formato sin dificultades. Si el convertidor detecta un monitor o televisor HD conectado a la salida HDMI y la definición del material original es UHD, esta se reduce automáticamente para adecuarse a la resolución admitida por el equipo de destino.



## Conexiones

- 1 HDMI**  
Salida HDMI tipo A.
- 2 L - ANALOG or AES/EBU**  
Salida para señales de audio analógicas balanceadas (canal izquierdo) o digitales con conector de 0.25 pulgadas.
- 3 R - ANALOG**  
Salida para señales de audio analógicas balanceadas (canal derecho) con conector de 0.25 pulgadas.
- 4 Puerto mini-USB tipo B**  
Permite conectar el dispositivo a un equipo informático Mac OS X o Windows para utilizar el programa Blackmagic Converters Setup. También sirve para actualizar el software interno del conector.
- 5 SDI OUT**  
Salida SDI con conector BNC.
- 6 ALT SDI IN**  
Entrada SDI adicional que puede utilizarse a modo de respaldo.
- 7 SDI IN**  
Entrada SDI principal.
- 8 POWER +12V**  
Entrada para fuente de alimentación de 12 voltios.

## Interruptores

**SUGERENCIA:** En la versión Heavy Duty de este modelo, los interruptores se encuentran protegidos por una cubierta de goma. Simplemente levante el borde para abrirla y acceder a ellos.

Los interruptores de este modelo brindan las siguientes opciones:

### Interruptor 8 - Audio analógico, AES/EBU

Coloque este interruptor en la posición **OFF** para transmitir señales de audio analógicas balanceadas o en la posición **ON** para señales digitales en formato AES/EBU.

### Interruptor 4 - Aislar audio SDI, bit 2

Los interruptores 4, 3 y 2 ofrecen varias combinaciones posibles que permiten aislar ocho pares independientes de canales de audio y transmitirlos a través de la salida HDMI o AES/EBU.

### Interruptor 3 - Aislar audio SDI, bit 1

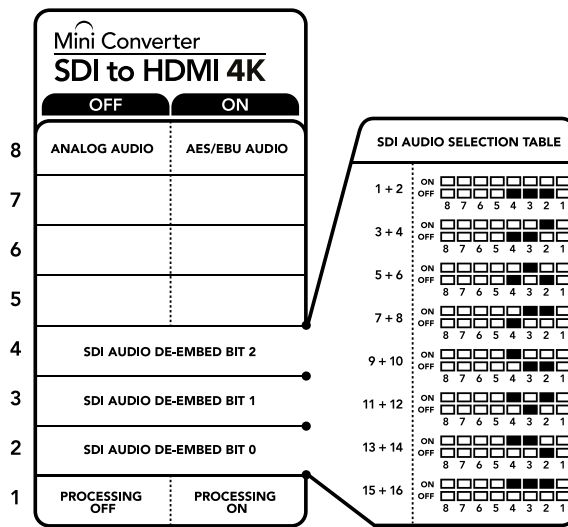
Ver descripción para el interruptor 4.

### Interruptor 2 - Aislar audio SDI, bit 0

Ver descripción para el interruptor 4.

### Interruptor 1- Activar/desactivar procesamiento

Este interruptor no se utiliza.



El diagrama situado en la base del convertidor proporciona toda la información necesaria para modificar su configuración.

### Ejemplo de configuración mediante los interruptores

Intente configurar el convertidor para aislar los canales de audio 1 y 2 de la señal SDI y transmitirlos mediante la salida analógica colocando los interruptores 8, 4, 3 y 2 en la posición **OFF**.

### Tabla de referencia para canales de audio

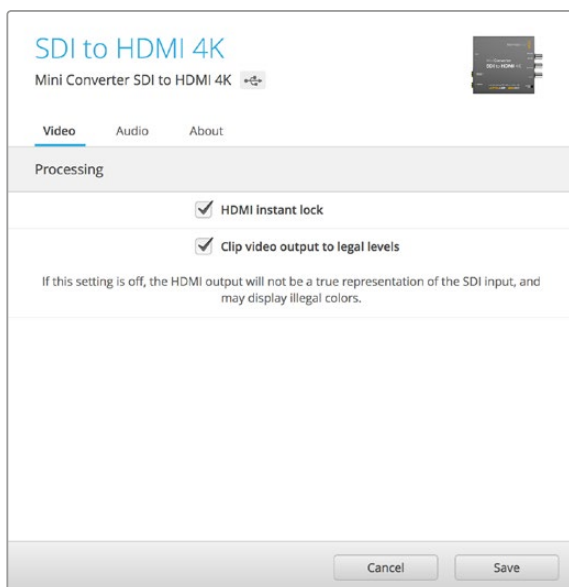
Canales de audio	Interruptor 4	Interruptor 3	Interruptor 2	Diagrama
1 y 2	OFF	OFF	OFF	ON OFF 8 7 6 5 4 3 2 1
3 y 4	OFF	OFF	ON	ON OFF 8 7 6 5 4 3 2 1
5 y 6	OFF	ON	OFF	ON OFF 8 7 6 5 4 3 2 1
7 y 8	OFF	ON	ON	ON OFF 8 7 6 5 4 3 2 1
9 y 10	ON	OFF	OFF	ON OFF 8 7 6 5 4 3 2 1
11 y 12	ON	OFF	ON	ON OFF 8 7 6 5 4 3 2 1
13 y 14	ON	ON	OFF	ON OFF 8 7 6 5 4 3 2 1
15 y 16	ON	ON	ON	ON OFF 8 7 6 5 4 3 2 1

## Opciones en el programa Blackmagic Converters Setup

Este programa utilitario permite cambiar la configuración del convertor y actualizar el software interno. Se puede acceder a las distintas opciones mediante las pestañas **Video** y **About**.

Para obtener más información sobre la pestaña **About**, consulte el apartado *Modificación de ajustes* en este manual.

A continuación se muestran los ajustes de la pestaña **Video**.



La casilla **Clip video output to legal levels** se encuentra marcada por defecto. Esto garantiza que la señal HDMI transmitida se mantenga dentro de los valores aceptables.

### Procesamiento

#### ▪ Sintonización instantánea

Marque la casilla **HDMI Instant Lock** para activar esta función. Cuando está habilitada, la señal HDMI saliente se mantiene activa incluso al cambiar la fuente. De este modo, no es necesario esperar a que finalice la sincronización entre el convertor y el monitor o televisor HDMI para ver las imágenes. Cabe destacar que esta prestación solo funciona al alternar entre fuentes correspondientes a un mismo estándar.

Por otro lado, es posible que haya una pequeña demora entre las imágenes y el audio. Para evitar que esto ocurra, desactive esta función.

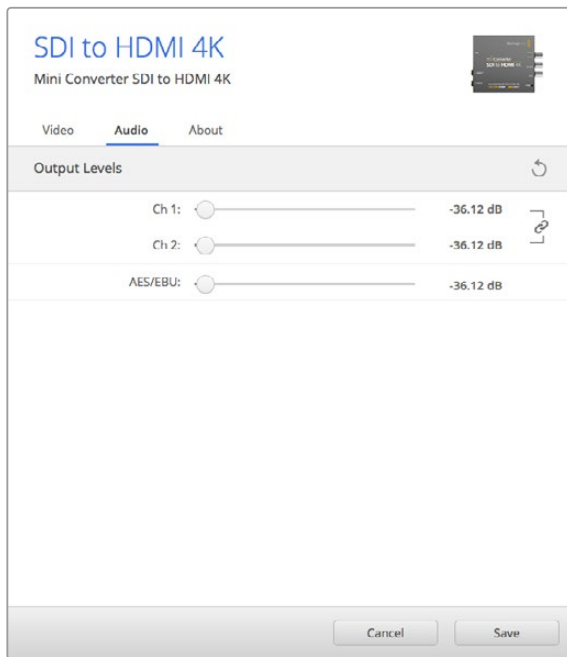
#### ▪ Restringir el nivel de la señal

La opción **Clip video output to legal levels** permite ajustar los parámetros de la señal SDI entrante, a fin de garantizar que se encuentren dentro del rango aceptable para el formato HDMI. Se aconseja dejar esta casilla marcada.

### Ganancia

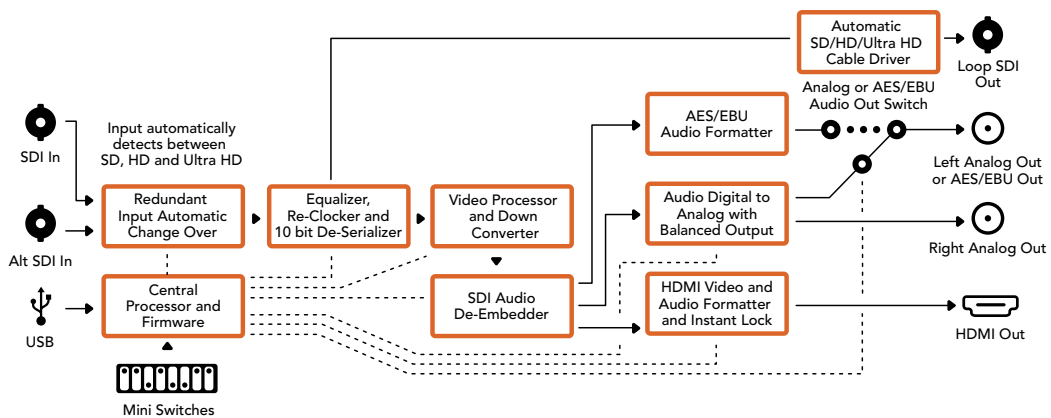
La opción **Output Levels** permite ajustar la ganancia del audio para cada canal en forma independiente o, de manera alternativa, para ambos canales simultáneamente, haciendo clic en el ícono situado a la derecha de los controles deslizantes. Para restablecer los valores a 0 dB, haga clic en la flecha circular situada en el margen derecho de la ventana.

A continuación se muestran los ajustes disponibles en la pestaña **Audio**.



Las opciones de la pestaña **Audio** permiten ajustar la intensidad del volumen.

### Diagrama de bloques

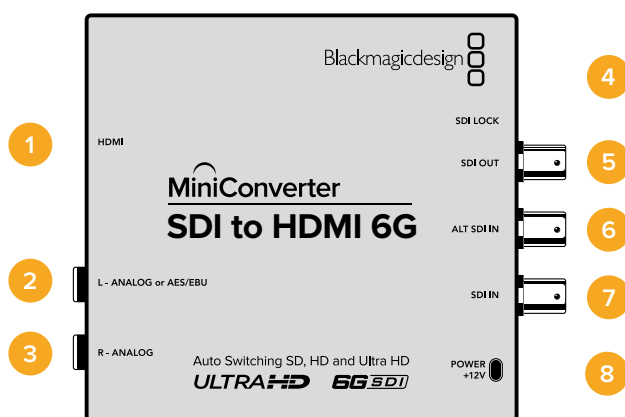


## Mini Converter SDI to HDMI 6G

Este modelo facilita la conexión de equipos con tecnología SDI a una gran variedad de proyectores y monitores HDMI. Asimismo, brinda la posibilidad de detectar automáticamente distintos tipos de fuentes para obtener señales HDMI con audio integrado y dispone de salidas para canales analógicos o AES/EBU balanceados.

A su vez, la función de sincronización instantánea para la salida HDMI permite alternar entre distintas fuentes en un mismo formato sin que se produzcan saltos en la imagen. Si el convertidor detecta un monitor o televisor de alta definición conectado a la salida HDMI y la señal original es UHD, esta se convierte automáticamente para adecuarse a la resolución del dispositivo de destino.

Por otra parte, es posible aplicar tablas de conversión tridimensionales al contenido convertido para realzar el color y crear diferentes estilos o apariencias. Estas tablas de 33 puntos son procesadas por la unidad, a fin de lograr una mayor precisión en los ajustes cromáticos, y además pueden emplearse para calibrar televisores comunes empleados en tareas de etalonaje. Asimismo, las tablas facilitan la conversión de espacios de color, con el objetivo usar diferentes tipos de equipos. Este modelo incluye dos tablas de conversión predeterminadas para obtener imágenes monocromáticas, a partir de material en color, o convertir el espacio cromático empleado por las cámaras de Blackmagic al sistema REC 709.



## Conexiones

- 1 HDMI**  
Salida HDMI tipo A.
- 2 L – ANALOG or AES/EBU**  
Salida para señales de audio analógicas balanceadas (canal izquierdo) o AES/EBU con conector de 0.25 pulgadas.
- 3 R – ANALOG**  
Salida para señales de audio analógicas balanceadas (canal derecho) con conector de 0.25 pulgadas.
- 4 Puerto mini-USB tipo B**  
Permite conectar el dispositivo a un equipo Mac OS X o Windows para utilizar el programa Converters Setup. También brinda la posibilidad de actualizar el sistema operativo interno de la unidad.
- 5 SDI OUT**  
Salida SDI con conector BNC.
- 6 ALT SDI IN**  
Entrada SDI adicional que puede utilizarse a modo de respaldo.
- 7 SDI IN**  
Entrada SDI principal.
- 8 POWER +12V**  
Entrada para fuente de alimentación de 12 voltios.

## Interruptores

Los interruptores de este modelo ofrecen las siguientes opciones:

### Interruptor 8 – Audio analógico, AES/EBU

Coloque este interruptor en la posición **OFF** a fin de transmitir señales de audio analógicas balanceadas, o en la posición **ON** para señales digitales en formato AES/EBU.



### Interruptor 7 – Activar / desactivar LUT

Coloque este interruptor en la posición **ON** u **OFF** para activar o desactivar la tabla respectivamente.

### Interruptor 6 – LUT 1, LUT 2

Coloque este interruptor en la posición **ON** u **OFF** para seleccionar la tabla 1 o 2 respectivamente.

### Interruptor 5 – Activar / desactivar LUT en salida derivada

Coloque este interruptor en la posición **ON** para aplicar la tabla a la señal transmitida mediante la salida, o en la posición **OFF** para desactivarla.

### Interruptor 4 – Aislar audio SDI, bit 2

Los interruptores 4, 3 y 2 ofrecen varias combinaciones posibles que permiten aislar ocho pares independientes de canales de audio integrados en la señal SDI y transmitirlos en formato analógico, HDMI o AES/EBU.

### Interruptor 3 – Aislar audio SDI, bit 1

Ver descripción para el interruptor 4.

### Interruptor 2 – Aislar audio SDI, bit 0

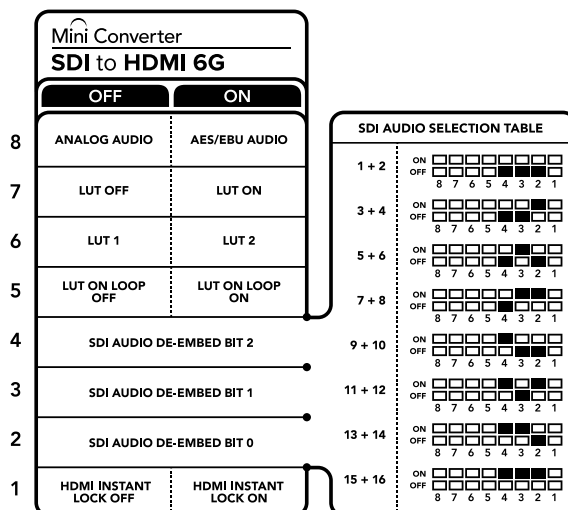
Ver descripción para el interruptor 4.

### Interruptor 1 – Activar / desactivar sintonización HDMI instantánea

Coloque este interruptor en la posición **ON** para activar la función de sincronización instantánea, o en la posición **OFF** para desactivarla.

Cuando está habilitada, la señal HDMI saliente se mantiene activa, incluso al cambiar la fuente. De este modo, no es necesario esperar a que el monitor o el televisor HDMI se sincronice con el conversor para ver las imágenes. Cabe destacar que esta prestación solo funciona al alternar fuentes pertenecientes a un mismo estándar.

Por otro lado, es posible que haya una pequeña demora entre las imágenes y el audio. Para evitar que esto ocurra, desactive la función de sincronización instantánea.




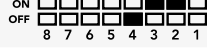
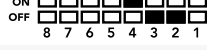
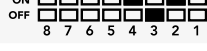
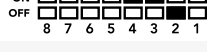



El diagrama situado en la parte inferior del conversor proporciona la información necesaria para cambiar los ajustes.

### Ejemplo de configuración mediante los interruptores

Intente configurar el conversor para aislar los canales de audio 1 y 2 en la señal SDI y transmitirlos en formato analógico colocando los interruptores 8, 4, 3 y 2 en la posición **OFF**.

Tabla de referencia para canales de audio

Canales de audio	Interruptor 4	Interruptor 3	Interruptor 2	Diagrama
1 and 2	OFF	OFF	OFF	
3 and 4	OFF	OFF	ON	
5 and 6	OFF	ON	OFF	
7 and 8	OFF	ON	ON	
9 and 10	ON	OFF	OFF	
11 and 12	ON	OFF	ON	
13 and 14	ON	ON	OFF	
15 and 16	ON	ON	ON	

## Opciones del programa Blackmagic Converters Setup

Este programa utilitario permite cambiar la configuración del conversor y actualizar el sistema operativo interno. Se puede acceder a estas opciones mediante las pestañas **Video**, **Audio** y **About**, situadas en la parte superior de la interfaz. Esta última se describe de forma más detallada en el apartado *Modificación de ajustes*.

A continuación se muestran los ajustes disponibles en la pestaña **Video**.



La casilla **Clip video output to legal levels** se encuentra marcada por defecto. Esto garantiza que la señal HDMI transmitida se mantenga dentro de los valores aceptables.

## Procesamiento

- **LUT de 33 puntos**

Este modelo es compatible con archivos **.cube** creados en DaVinci Resolve u otros programas de etalonaje digital que admiten este formato.

Para aplicar dos tablas de conversión distintas, haga clic en el botón **Load** correspondiente a cada una de ellas. A continuación, elija el archivo **.cube** deseado y luego haga clic en **OK**. Haga clic en **Save** para confirmar. El nombre del archivo aparecerá junto a cada botón para identificar qué tabla se aplica en cada caso.

- **¿Qué es una LUT tridimensional?**

Una tabla de conversión (LUT) tridimensional es un archivo que contiene una lista de valores utilizados para modificar el espacio cromático, a fin de obtener un nuevo conjunto de parámetros en un entorno cúbico tridimensional.

Este incluye todas las variaciones posibles resultantes de la mezcla de cada color primario, definidas según tres dimensiones espaciales (x, y, z). De esta forma, los canales rojo, verde y azul en la señal SDI entrante pueden reasignarse a cualquier otro espacio cromático en el material convertido. Esto es de suma utilidad, dado que, al asignar un color a cualquier otro, es posible realizar ajustes precisos para calibrar monitores o aplicar curvas de respuesta tonal al trabajar con distintos tipos de archivos RAW en el set de grabación.

Una de las tablas incluidas con este modelo permite obtener una imagen en blanco y negro a partir del material original. Esto significa que los valores de los colores se redistribuyen en la señal HDMI saliente. El usuario puede crear sus propias tablas y aplicarlas mediante el programa utilitario. Por su parte, DaVinci Resolve brinda la posibilidad de generar tablas de conversión tridimensionales a partir de ciertos ajustes empleados en el etalonaje. Esto facilita el procesamiento del color mediante la salida SDI derivada del dispositivo, incluso aunque no se utilice la conexión HDMI.

Para obtener más información al respecto, consulte el manual del programa DaVinci Resolve disponible en nuestro sitio web.

- **Restringir el nivel de la señal**

La opción **Clip video output to legal levels** permite ajustar los parámetros de la señal SDI entrante, a fin de garantizar que se encuentren dentro del rango aceptable para el formato HDMI. Se aconseja dejar esta casilla marcada.

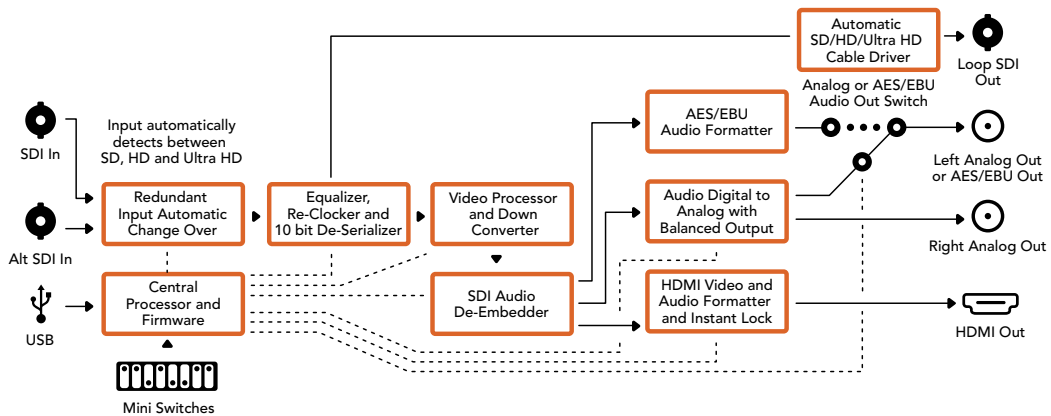
## Ganancia

El menú **Output Levels** permite ajustar la ganancia de la señal de audio transmitida para cada canal en forma independiente o, de manera alternativa, para todos los canales simultáneamente, haciendo clic en el ícono ubicado a la derecha de los controles deslizantes. Para restablecer los valores a 0 dB, haga clic en la flecha circular situada en el margen derecho de la ventana. A continuación se muestran los ajustes disponibles en la pestaña **Audio**.



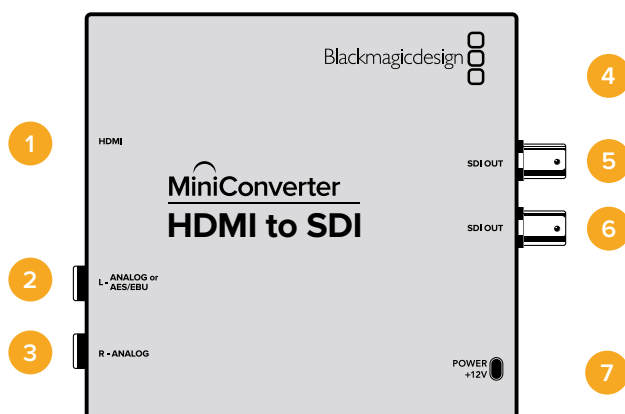
Las opciones de la pestaña **Audio** permiten ajustar la intensidad del volumen.

## Diagrama de bloques



## Mini Converter HDMI to SDI

Este modelo permite obtener una señal SDI a partir de material original en formato HDMI proveniente de cámaras HDV o UHD, consolas de videojuegos y dispositivos similares. Asimismo, brinda la posibilidad de integrar canales de audio en formato analógico o digital, facilitando de este modo la transmisión de material audiovisual mediante cables de mayor longitud. Asimismo, brinda la posibilidad de añadir salidas SDI a equipos informáticos que disponen de conexiones HDMI. Cabe destacar que esta versión es capaz de obtener imágenes en definición estándar a partir de contenidos en alta definición.



## Conexiones

- 1 HDMI**  
Entrada HDMI tipo A.
- 2 L - ANALOG or AES/EBU**  
Entrada para señales de audio analógicas balanceadas (canal izquierdo) o digitales con conector de 0.25 pulgadas.
- 3 R - ANALOG**  
Entrada para señales de audio analógicas balanceadas (canal derecho) con conector de 0.25 pulgadas.
- 4 Puerto mini-USB tipo B**  
Permite conectar el dispositivo a un equipo informático Mac OS X o Windows para utilizar el programa Blackmagic Converters Setup. También sirve para actualizar el software interno del conector.
- 5 SDI OUT**  
Salida SDI con conector BNC.
- 6 SDI OUT**  
Salida SDI secundaria.
- 7 POWER +12V**  
Entrada para fuente de alimentación de 12 voltios.

## Interruptores

Los interruptores de este modelo brindan las siguientes opciones:

### Interruptor 8 - Audio analógico, AES/EBU

Coloque este interruptor en la posición **OFF** para recibir señales de audio analógicas balanceadas o en la posición **ON** para señales digitales en formato AES/EBU. Para utilizar estas entradas, el interruptor 7 también debe colocarse en la posición **ON**.

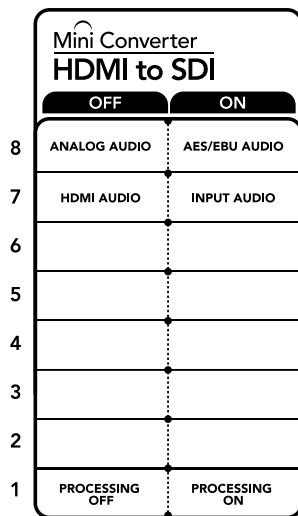
### Interruptor 7- Audio HDMI, entrada para audio

Coloque este interruptor en la posición **OFF** para seleccionar el audio integrado en la señal HDMI o en la posición **ON** para señales en formato analógico o AES/EBU.

### Interruptor 1- Activar/desactivar procesamiento

Permite reducir la definición de la imagen y escoger entre 3 tipos de relaciones de aspecto. Alterne la posición del interruptor para seleccionar uno de los siguientes modos: anamórfico, centrado o panorámico. Al colocar el interruptor 1 en la posición **OFF**, se mantiene la definición de la señal original HD.

Cuando el dispositivo se encuentra conectado a un equipo informático mediante el puerto USB, es posible controlar estos ajustes mediante el programa utilitario. Para que el convertor mantenga la configuración, desconéctelo del equipo informático, reinicielo y realice los cambios necesarios mediante el interruptor 1.



El diagrama situado en la base del convertor proporciona toda la información necesaria para modificar su configuración.

## Opciones del programa Blackmagic Converters Setup

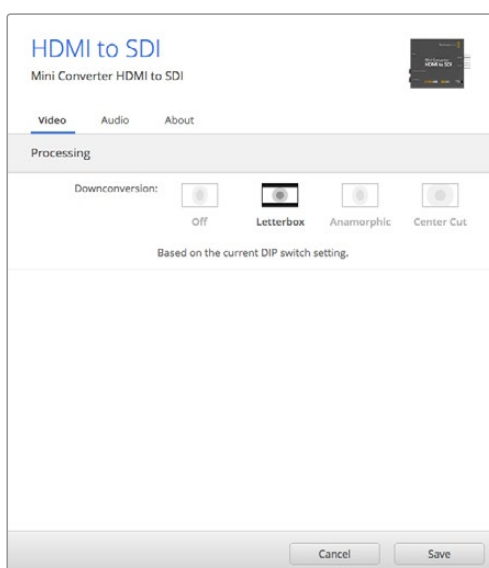
Este programa utilitario permite cambiar la configuración del convertor y actualizar el software interno. Se puede acceder a las distintas opciones mediante las pestañas **Video** y **About**.

Para obtener más información sobre la pestaña **About**, consulte el apartado **Modificación de ajustes** en este manual.

A continuación se muestran los ajustes disponibles en la pestaña **Video**.

### Procesamiento

Este menú permite seleccionar la relación de aspecto de la imagen obtenida en definición estándar a partir de señales en alta definición. Las opciones disponibles son **Off**, **Letterbox**, **Anamorphic** o **Center Cut**.

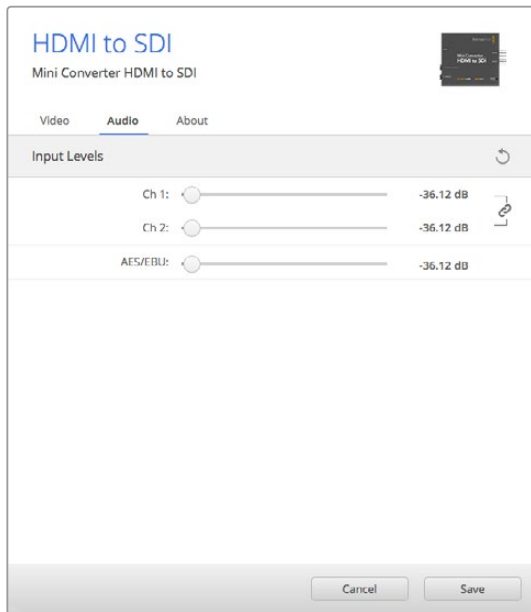


Las opciones de la pestaña **Video** permiten cambiar la relación de aspecto de la señal obtenida.

A continuación se muestran los ajustes disponibles en la pestaña **Audio**.

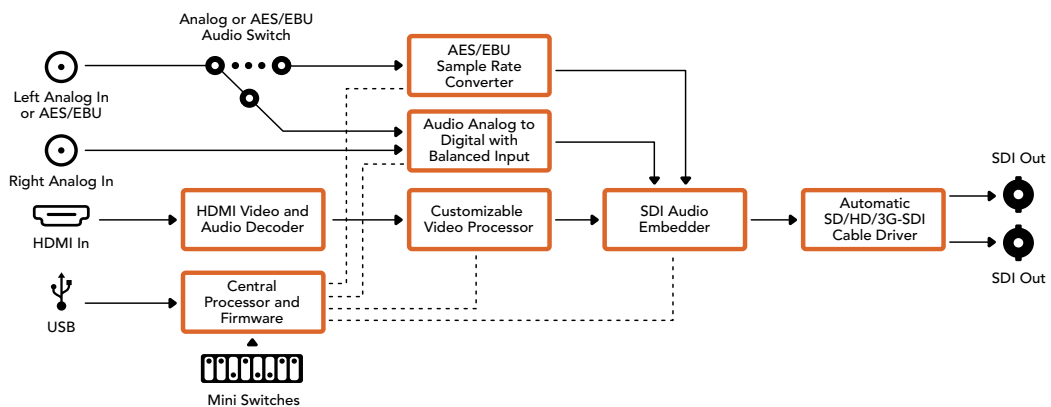
### Ganancia

El menú **Input Levels** permite ajustar la ganancia de la señal de audio entrante. La intensidad de cada canal se puede modificar independientemente. De manera alternativa, para ajustar ambos canales en forma simultánea, haga clic en el ícono situado a la derecha de los controles deslizantes. Para restablecer los valores a 0 dB, haga clic en la flecha circular situada en el margen derecho de la ventana.



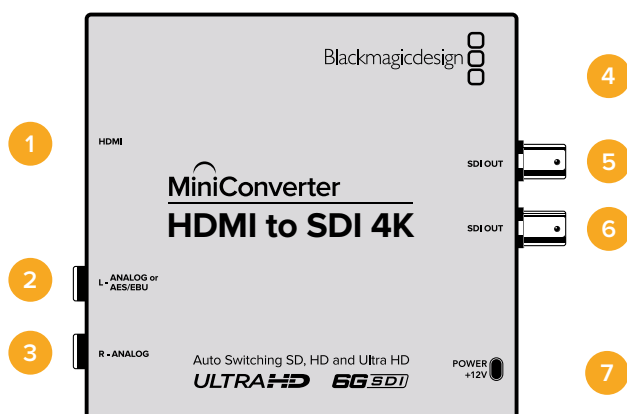
Las opciones de la pestaña **Audio** permiten ajustar la intensidad del volumen.

### Diagrama de bloques



## Mini Converter HDMI to SDI 4K

Estos modelos permiten obtener una señal SDI a partir de material original en formato HDMI proveniente de cámaras HDV o UHD, consolas de videojuegos y dispositivos similares. Asimismo, ofrecen la posibilidad de integrar canales de audio en formato analógico o digital, facilitando de este modo la transmisión de material audiovisual mediante cables de mayor longitud. Por otra parte, brindan la oportunidad de añadir salidas SDI a equipos informáticos que disponen de conexiones HDMI.



## Conexiones

- 1 HDMI**  
Entrada HDMI tipo A.
- 2 L - ANALOG or AES/EBU**  
Entrada para señales de audio analógicas balanceadas (canal izquierdo) o digitales con conector de 0.25 pulgadas.
- 3 R - ANALOG**  
Entrada para señales de audio analógicas balanceadas (canal derecho) con conector de 0.25 pulgadas.
- 4 Puerto mini-USB tipo B**  
Permite conectar el dispositivo a un equipo informático Mac OS X o Windows para utilizar el programa Blackmagic Converters Setup. También sirve para actualizar el software interno del conector.
- 5 SDI OUT**  
Salida SDI con conector BNC.
- 6 SDI OUT**  
Salida SDI secundaria.
- 7 POWER +12V**  
Entrada para fuente de alimentación de 12 voltios.

## Interruptores

**SUGERENCIA:** En la versión Heavy Duty de este modelo, los interruptores se encuentran protegidos por una cubierta de goma. Simplemente levante el borde para abrirla y acceder a ellos.

Los interruptores de este modelo brindan las siguientes opciones:

### Interruptor 8 - Audio analógico, AES/EBU

Coloque este interruptor en la posición **OFF** para recibir señales de audio analógicas balanceadas o en la posición **ON** para señales digitales en formato AES/EBU. Para utilizar estas entradas, el interruptor 7 también debe colocarse en la posición **ON**.

### Interruptor 7- Audio HDMI, entrada para audio

Coloque este interruptor en la posición **OFF** para seleccionar el audio integrado en la señal HDMI o en la posición **ON** para señales en formato analógico o AES/EBU.



### Interruptores 2 y 1 - Formato de conversión (bit 1, 0)

Al conectar una fuente HDMI que transmite señales en HD y UHD, se puede configurar el convertor para que priorice una de estas definiciones. Esto puede resultar de gran utilidad, por ejemplo si se desea proyectar el contenido de la pantalla de un equipo informático en dispositivos SDI de alta definición.

Aunque parezca que esta configuración permite aumentar o disminuir la definición de la imagen, lo que en realidad sucede es que el convertor determina dicho parámetro en el equipo original, a fin de poder transmitir la señal en su resolución nativa, sin realizar ningún tipo de conversión.

Modifique la posición de los interruptores 1 y 2 para dar prioridad al uso de una determinada definición o permitir que el convertor establezca automáticamente la que resulte más adecuada.

A continuación se explica la combinación de las diferentes posiciones.

#### **AUTO - interruptor 1 en OFF, interruptor 2 en OFF.**

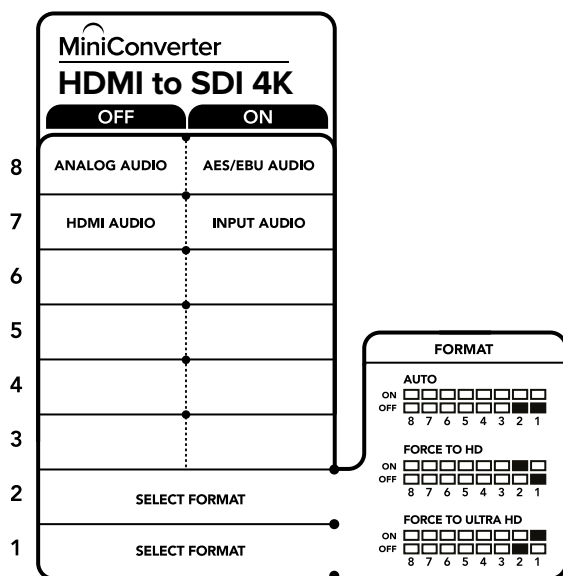
El convertor determinará automáticamente la definición más adecuada según las especificaciones del equipo original.

#### **FORCE TO HD - interruptor 1 en OFF, interruptor 2 en ON.**

Independientemente de las opciones disponibles en el equipo original, este transmitirá una señal HD.

#### **FORCE TO UHD - interruptor 1 en ON, interruptor 2 en OFF.**

Independientemente de las opciones disponibles en el equipo original, este transmitirá una señal UHD.



El diagrama situado en la base del convertor proporciona toda la información necesaria para modificar su configuración.

## Opciones del programa Blackmagic Converters Setup

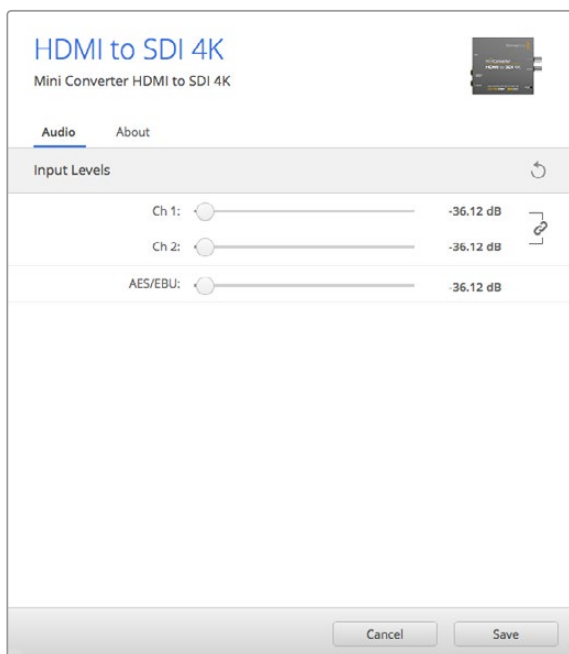
Este programa utilitario permite cambiar la configuración del convertor y actualizar el software interno. Se puede acceder a las distintas opciones mediante las pestañas **Audio** y **About**.

Para obtener más información sobre la pestaña **About**, consulte el apartado *Modificación de ajustes* en este manual.

A continuación se muestran los ajustes disponibles en la pestaña **Audio**.

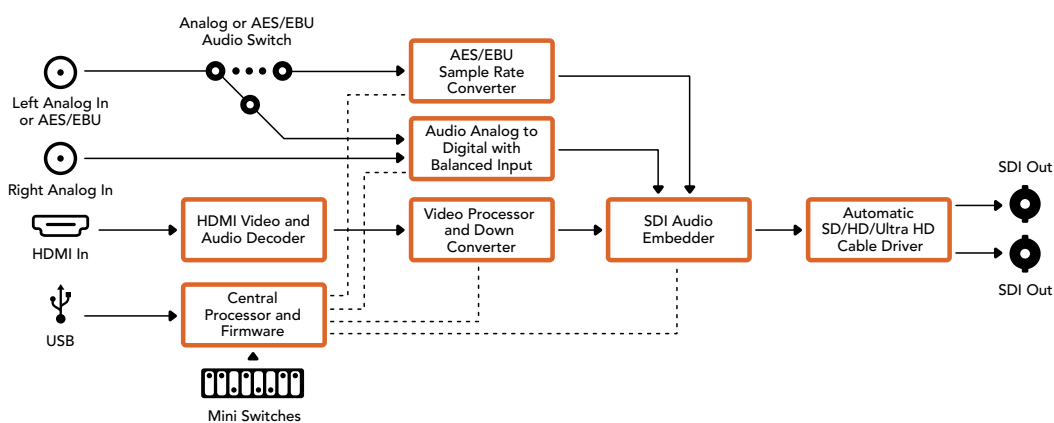
## Ganancia

El menú **Input Levels** permite ajustar la ganancia de la señal de audio entrante. La intensidad de cada canal se puede modificar independientemente. De manera alternativa, para ajustar ambos canales en forma simultánea, haga clic en el ícono situado a la derecha de los controles deslizantes. Para restablecer los valores a 0 dB, haga clic en la flecha circular situada en el margen derecho de la ventana.



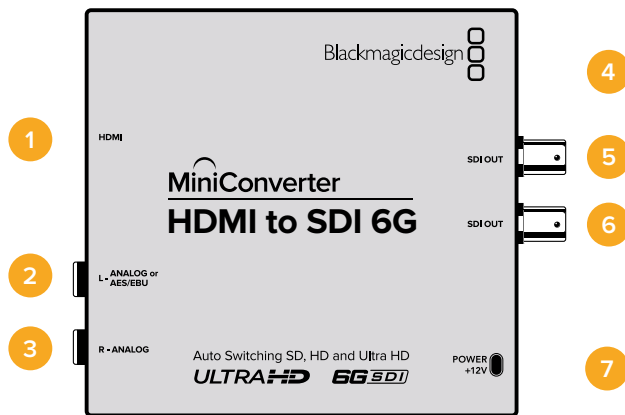
Las opciones de la pestaña **Audio** permiten ajustar la intensidad del volumen.

## Diagrama de bloques



## Mini Converter HDMI to SDI 6G

Este modelo permite obtener señales SDI a partir del material audiovisual proveniente de dispositivos tales como cámaras HDV o consolas de videojuegos. Asimismo, brinda la posibilidad de integrar canales de audio en formato analógico balanceado, HDMI o AES/EBU, facilitando así la transmisión del contenido mediante cables de mayor longitud. El convertidor también puede emplearse para añadir salidas SDI a equipos informáticos que disponen de conexiones HDMI.



## Conexiones

- 1 HDMI**  
Entrada HDMI tipo A.
- 2 L – ANALOG or AES/EBU**  
Entrada para señales de audio analógicas balanceadas (canal izquierdo) o AES/EBU con conector de 0.25 pulgadas.
- 3 R – ANALOG**  
Entrada para señales de audio analógicas balanceadas (canal derecho) con conector de 0.25 pulgadas.
- 4 Puerto mini-USB tipo B**  
Permite conectar el dispositivo a un equipo Mac OS X o Windows para utilizar el programa Converters Setup. También brinda la posibilidad de actualizar el sistema operativo interno de la unidad.
- 5 SDI OUT**  
Salida SDI con conector BNC.
- 6 SDI OUT**  
Salida SDI adicional.
- 7 POWER +12V**  
Entrada para fuente de alimentación de 12 voltios.

## Interruptores

Los interruptores de este modelo ofrecen las siguientes opciones:

### Interruptor 8 – Audio analógico, AES/EBU

Coloque este interruptor en la posición **OFF** a fin de procesar señales de audio analógicas balanceadas, o en la posición **ON** para señales digitales en formato AES/EBU. Para utilizar estas entradas, el interruptor 7 también debe estar en la posición **ON**.

### Interruptor 7– Audio HDMI, entrada de audio

Coloque este interruptor en la posición **OFF** a fin de procesar canales de audio integrados en la señal HDMI, o en la posición **ON** para audio en formato AES/EBU.

### Interruptor 6 – Señal 3G nivel B (normal) / 3G nivel A

Coloque este interruptor en la posición **ON** u **OFF** para transmitir señales 3G nivel A o B, respectivamente.

### Interruptores 2 y 1 – Formato de conversión (bit 1, 0)

Al conectar una fuente HDMI que transmite señales en HD y UHD, es posible configurar el convertidor para que priorice una de estas definiciones. Esto puede resultar de gran utilidad, por ejemplo, a fin de ver la imagen de un equipo informático en dispositivos SDI de alta definición.

Aunque parezca que esta configuración permite aumentar o disminuir la definición de la imagen, lo que en realidad sucede es que el convertidor indica la definición en la que debe transmitir la fuente, con el objetivo de procesar la señal en su resolución original, sin realizar ningún tipo de conversión.

Modifique la posición de los interruptores 1 y 2 para dar prioridad al uso de una determinada definición o permitir que el convertidor establezca automáticamente la que resulte más adecuada.

A continuación se explica la combinación de las diferentes posiciones.

#### **AUTOMÁTICO – interruptor 1 en OFF, interruptor 2 en OFF**

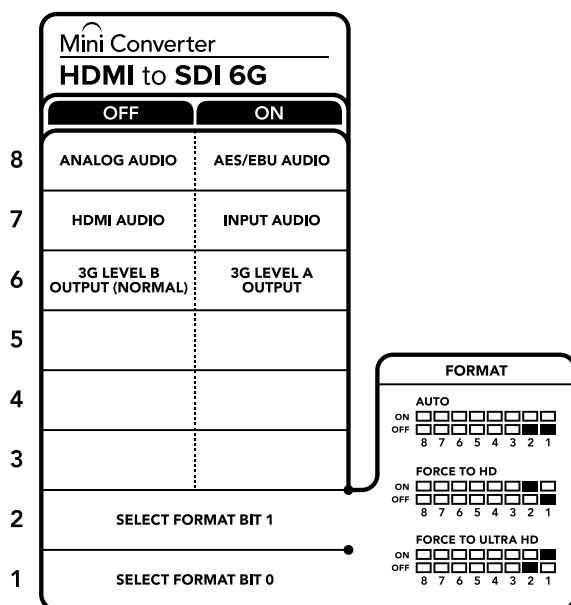
El convertidor determinará automáticamente la definición más adecuada, según las especificaciones del equipo original.

#### **FORZAR HD – interruptor 1 en OFF, interruptor 2 en ON**

El convertidor indicará al equipo original que transmita una señal en HD, siempre que esta opción este disponible.

#### **FORZAR UHD – interruptor 1 en ON, interruptor 2 en OFF**

El convertidor indicará al equipo original que transmita una señal en UHD, siempre que esta opción este disponible.



El diagrama situado en la parte inferior del convertidor proporciona la información necesaria para cambiar los ajustes.

## Opciones del programa Blackmagic Converters Setup

Este programa utilitario permite cambiar la configuración del convertidor y actualizar el sistema operativo interno. Se puede acceder a estas opciones mediante las pestañas **Audio** y **About**, situadas en la parte superior de la interfaz. Esta última se describe de forma más detallada en el apartado *Modificación de ajustes*. A continuación se muestran los ajustes disponibles en la pestaña **Audio**.

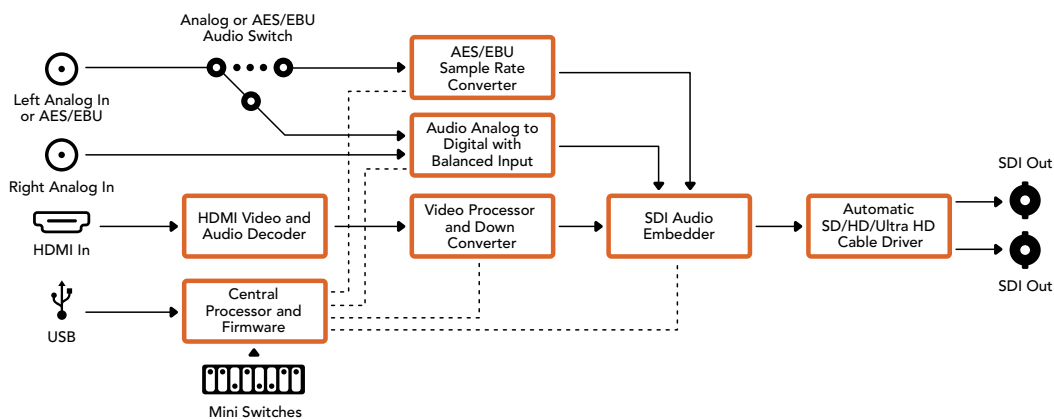
## Ganancia

El menú **Input Levels** permite ajustar la ganancia de la señal de audio entrante para cada canal en forma independiente o, de manera alternativa, para todos los canales simultáneamente, haciendo clic en el ícono ubicado a la derecha de los controles deslizantes. Para restablecer los valores a 0 dB, haga clic en la flecha circular situada en el margen derecho de la ventana.



Las opciones de la pestaña **Audio** permiten ajustar la intensidad del volumen.

## Diagrama de bloques



## Mini Converter SDI to Analog

Este modelo permite obtener contenidos en formato analógico por componentes (HD/SD), NTSC y PAL a partir de señales SDI. Asimismo, cuenta con salidas para audio analógico balanceado o AES/EBU. De este modo, se facilita la conexión a unidades Betacam SP y videograbadores. Por otra parte, brinda la posibilidad utilizar otros equipos analógicos junto con dispositivos HD que incluyen tecnología SDI. Asimismo, se pueden seleccionar los pares de canales analógicos integrados en la señal SDI que se desean transmitir.



## Conexiones

- 1 Y or NTSC/PAL**  
Salida para señales analógicas por componentes (Y) o compuestas (NTSC/PAL) con conector BNC.
- 2 B-Y or S-VIDEO Y**  
Salida señales analógicas por componentes (B-Y) o S-Video (Y) con conector BNC.
- 3 R-Y or S-VIDEO C**  
Salida para señales analógicas por componentes (R-Y) o S-Video (C) con conector BNC.
- 4 L - ANALOG or AES/EBU**  
Salida para señales de audio analógicas balanceadas (canal izquierdo) o digitales con conector de 0.25 pulgadas.
- 5 R - ANALOG**  
Salida para señales de audio analógicas balanceadas (canal derecho) con conector de 0.25 pulgadas.
- 6 Puerto mini-USB tipo B**  
Permite conectar el dispositivo a un equipo informático Mac OS X o Windows para utilizar el programa Blackmagic Converters Setup. También sirve para actualizar el software interno del conector.
- 7 SDI OUT**  
Salida SDI con conector BNC.
- 8 ALT SDI IN**  
Entrada SDI adicional que puede utilizarse a modo de respaldo.
- 9 SDI IN**  
Entrada SDI principal.
- 10 POWER +12V**  
Entrada para fuente de alimentación de 12 voltios.

## Interruptores

### Interruptor 8 - Audio analógico, AES/EBU

Coloque este interruptor en la posición **OFF** para transmitir señales de audio analógicas balanceadas o en la posición **ON** para señales digitales en formato AES/EBU.

### Interruptor 7- 7.5 IRE, 0.0 IRE

En Estados Unidos y otros países que utilizan la norma NTSC con un valor IRE de 7.5, este interruptor debe colocarse en la posición **OFF**. De lo contrario, colóquelo en la posición **ON**. Este parámetro solo afecta a las salidas para señales compuestas o S-Video.

### Interruptor 6 - Niveles SMPTE, Betacam

Coloque este interruptor en la posición **OFF** para seleccionar la opción SMPTE o en la posición **ON** para Betacam. Los valores SMPTE son más comunes e incluso pueden ser utilizados por las unidades Betacam SP. Por lo tanto, solo escoja la segunda opción si está seguro de que empleará parámetros Betacam.

### Interruptor 5 - Señales compuestas, por componentes o S-Video.

Coloque este interruptor en la posición **OFF** para obtener señales analógicas por componentes o en la posición **ON** para señales compuestas o S-Video.

Para transmitir imágenes en alta definición a través de las salidas para este tipo de señales, es necesario convertirlas a un formato de menor resolución. Las señales analógicas por componentes pueden transmitirse en definición estándar o alta definición.

### Interruptor 4 - Aislar audio SDI, bit 2

Los interruptores 4, 3 y 2 ofrecen varias combinaciones posibles que permiten aislar ocho pares independientes de canales de audio integrados en la señal SDI entrante.

### Interruptor 3 - Aislar audio SDI, bit 1

Ver descripción para el interruptor 4.

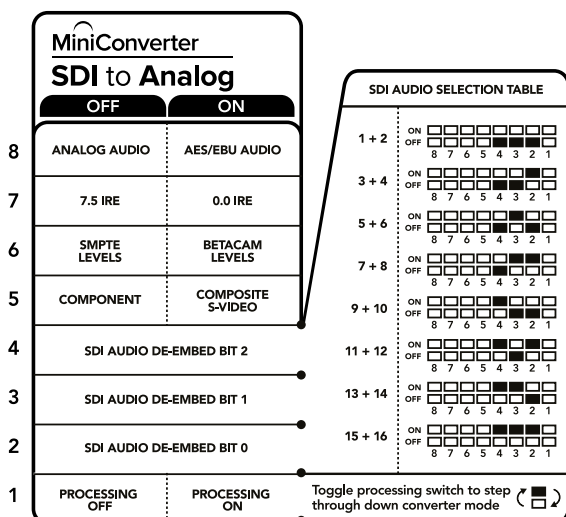
### Interruptor 2 - Aislar audio SDI, bit 0

Ver descripción para el interruptor 4.

### Interruptor 1- Activar/desactivar procesamiento

Permite reducir la definición de la imagen y escoger entre 3 tipos de relaciones de aspecto. Alterne la posición del interruptor para seleccionar uno de los siguientes modos: anamórfico, centrado o panorámico. Al colocar el interruptor 1 en la posición **OFF**, se mantiene la definición de la señal original HD.

Cuando el dispositivo se encuentra conectado a un equipo informático mediante el puerto USB, es posible controlar estos ajustes mediante el programa utilitario. Para que el conversor mantenga la configuración, desconéctelo del equipo informático, reinícielo y realice los cambios necesarios utilizando el interruptor 1.



El diagrama situado en la base del conversor proporciona toda la información necesaria para modificar su configuración.

## Ejemplo de configuración mediante los interruptores

Intente configurar el convertidor para obtener una señal por componentes en alta definición con los canales de audio 1 y 2 colocando los interruptores 8, 5, 4, 3 y 2 en la posición **OFF**.

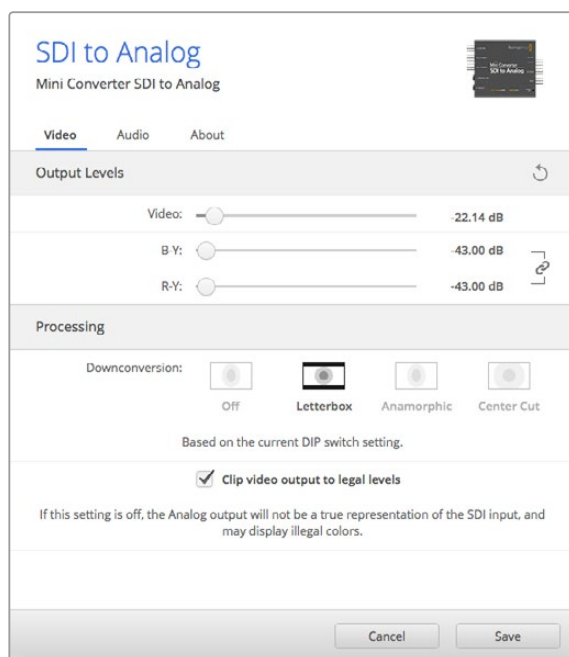
### Tabla de referencia para canales de audio

Canales de audio	Interruptor 4	Interruptor 3	Interruptor 2	Diagrama
1 y 2	OFF	OFF	OFF	
3 y 4	OFF	OFF	ON	
5 y 6	OFF	ON	OFF	
7 y 8	OFF	ON	ON	
9 y 10	ON	OFF	OFF	
11 y 12	ON	OFF	ON	
13 y 14	ON	ON	OFF	
15 y 16	ON	ON	ON	

## Opciones del programa Blackmagic Converters Setup

Este programa utilitario permite cambiar la configuración del convertidor y actualizar el software interno. Se puede acceder a las distintas opciones mediante las pestañas **Video** y **About**.

Para obtener más información sobre la pestaña **About**, consulte el apartado *Modificación de ajustes* en este manual.



Las opciones de la pestaña **Video** permiten cambiar los parámetros de procesamiento y los valores de la señal analógica.



## Procesamiento

Este panel permite seleccionar la relación de aspecto de la señal subconvertida. Las opciones disponibles son **Off**, **Letterbox**, **Anamorphic** o **Center Cut**.

Al activar la opción **Clip video output to legal levels** se ajustan los parámetros de la señal SDI entrante, a fin de garantizar que se encuentren dentro del rango aceptable para el formato HDMI. Se aconseja dejar esta casilla marcada.

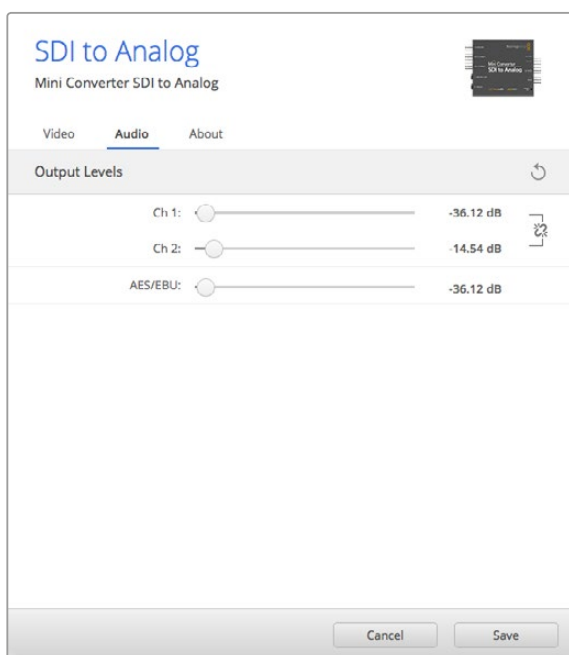
## Ganancia

La opción **Output Levels** permite modificar los parámetros cromáticos y de luminancia, así como ajustar los niveles de los componentes B-Y o R-Y.

A continuación se muestran los ajustes disponibles en la pestaña **Audio**.

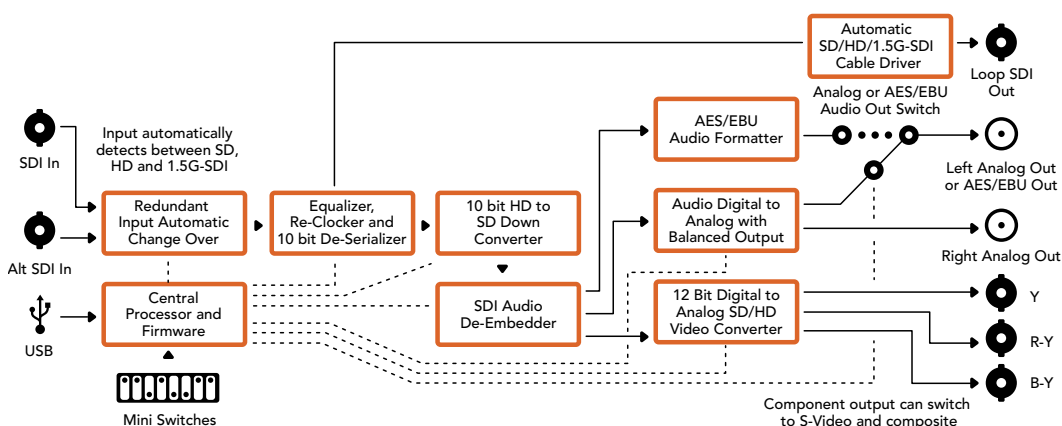
## Ganancia

El menú **Output Levels** permite ajustar la ganancia de la señal de audio transmitida. La intensidad de cada canal se puede modificar independientemente. De manera alternativa, para ajustar ambos canales en forma simultánea, haga clic en el ícono situado a la derecha de los controles deslizantes. Para restablecer los valores a 0 dB, haga clic en la flecha circular situada en el margen derecho de la ventana.



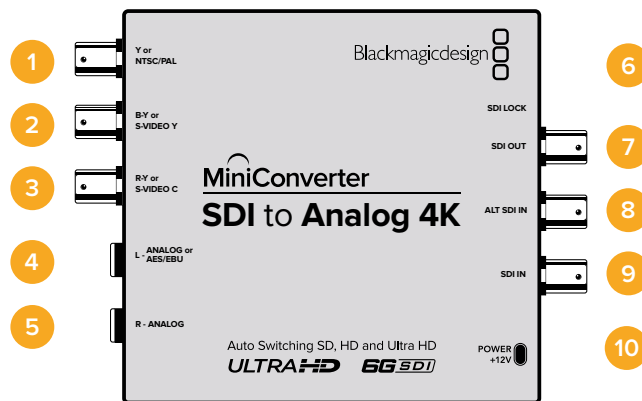
Las opciones de la pestaña **Audio** permiten ajustar los valores de los canales analógicos.

## Diagrama de bloques



## Mini Converter SDI to Analog 4K

Este modelo y su versión Heavy Duty permiten obtener contenidos en formato analógico por componentes (HD/SD), NTSC y PAL a partir de señales SDI. Asimismo, cuentan con salidas para audio analógico balanceado o AES/EBU. Por otra parte, brindan la posibilidad de conectar equipos SDI 6G a dispositivos SD o HD analógicos para utilizar monitores y videograbadores, por ejemplo unidades Betacam SP. Asimismo, se pueden seleccionar los pares de canales analógicos integrados en la señal SDI que se desean transmitir.



### Conexiones

- 1 Y or NTSC/PAL**  
Salida para señales analógicas por componentes (Y), compuestas o NTSC/PAL con conector BNC.
- 2 B-Y or S-VIDEO Y**  
Salida señales analógicas por componentes (B-Y) o S-Video (Y) con conector BNC.
- 3 R-Y or S-VIDEO C**  
Salida para señales analógicas por componentes (R-Y) o S-Video (C) con conector BNC.
- 4 L - ANALOG or AES/EBU**  
Salida para señales de audio analógicas balanceadas (canal izquierdo) o digitales con conector de 0.25 pulgadas.
- 5 R - ANALOG**  
Salida para señales de audio analógicas balanceadas (canal derecho) con conector de 0.25 pulgadas.
- 6 Puerto mini-USB tipo B**  
Permite conectar el dispositivo a un equipo informático Mac OS X o Windows para utilizar el programa Blackmagic Converters Setup. También sirve para actualizar el software interno del conector.
- 7 SDI OUT**  
Salida SDI con conector BNC.
- 8 ALT SDI IN**  
Entrada SDI adicional que puede utilizarse a modo de respaldo.
- 9 SDI IN**  
Entrada SDI principal.
- 10 POWER +12V**  
Entrada para fuente de alimentación de 12 voltios.

## Interruptores

**SUGERENCIA:** En la versión Heavy Duty de este modelo, los interruptores se encuentran protegidos por una cubierta de goma. Simplemente levante el borde para abrirla y acceder a ellos.

Los interruptores de este modelo brindan las siguientes opciones:

### **Interruptor 8 - Audio analógico, AES/EBU**

Coloque este interruptor en la posición **OFF** para transmitir señales de audio analógicas balanceadas o en la posición **ON** para señales digitales en formato AES/EBU.

### **Interruptor 7- 7.5 IRE, 0.0 IRE**

En Estados Unidos y otros países que utilizan la norma NTSC con un valor IRE de 7.5, este interruptor debe colocarse en la posición **OFF**. De lo contrario, colóquelo en la posición **ON**. Este parámetro solo afecta a las salidas para señales compuestas o S-Video.

### **Interruptor 6 - Niveles SMPTE, Betacam**

Coloque este interruptor en la posición **OFF** para seleccionar la opción SMPTE o en la posición **ON** para Betacam. Los valores SMPTE son más comunes e incluso pueden ser utilizados por las unidades Betacam SP. Por lo tanto, solo escoja la segunda opción si está seguro de que empleará parámetros Betacam.

### **Interruptor 5 - Señales compuestas, por componentes o S-Video.**

Coloque este interruptor en la posición **OFF** para obtener señales analógicas por componentes o en la posición **ON** para señales compuestas o S-Video.

Para transmitir imágenes en alta definición a través de las salidas para este tipo de señales, es necesario convertirlas a un formato de menor resolución. Las señales analógicas por componentes pueden transmitirse en definición estándar o alta definición.

### **Interruptores 4, 3 y 2 - Aislar audio SDI**

Los interruptores 4, 3 y 2 ofrecen varias combinaciones posibles que permiten aislar ocho pares independientes de canales de audio integrados en la señal SDI entrante.

### **Interruptor 1- Activar/desactivar procesamiento**

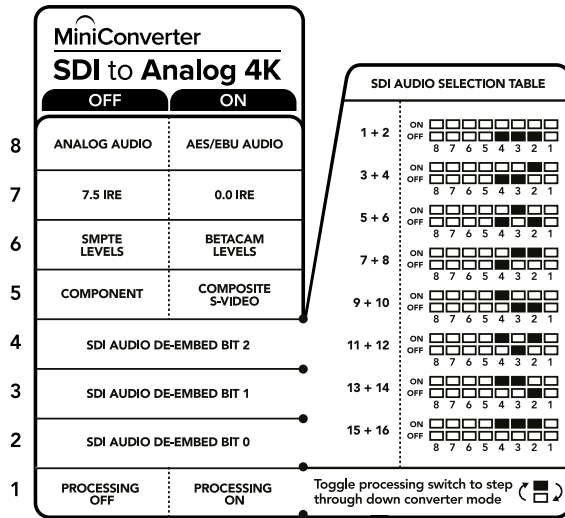
Permite disminuir la definición de la señal y escoger entre tres tipos de relaciones de aspecto. Alterne la posición del interruptor para seleccionar uno de los siguientes modos: anamórfico, centrado o panorámico.

Al procesar material en HD o UHD, coloque este interruptor en la posición **OFF** para transmitir imágenes de alta definición en formato analógico a través de la salida para señales por componentes.

Cuando el interruptor se encuentra en la posición **ON**, se reduce la definición el contenido UHD original para obtener una señal analógica (PAL/NTSC) o por componentes, según la configuración de los demás interruptores. Las imágenes en formato DCI 4K se recortan al transmitir las mediante la salida para señales por componentes en alta definición.

Cuando el interruptor se encuentra en la posición **ON**, se reduce la definición el contenido UHD original para obtener una señal analógica (PAL/NTSC) o por componentes, según la configuración de los demás interruptores.

Cuando el dispositivo se encuentra conectado a un equipo informático mediante el puerto USB, es posible controlar estos ajustes mediante el programa utilitario. Para que el convertor mantenga la configuración, desconéctelo del equipo informático, reinícielo y realice los cambios necesarios utilizando el interruptor 1.



El diagrama situado en la base del convertor proporciona toda la información necesaria para modificar su configuración.

### Ejemplo de configuración mediante los interruptores

Intente configurar el convertor para obtener una señal por componentes en alta definición con los canales de audio 1 y 2 colocando los interruptores 8, 5, 4, 3 y 2 en la posición **OFF**.

### Tabla de referencia para la selección de audio

Canales de audio	Interruptor 4	Interruptor 3	Interruptor 2	Diagrama
1 y 2	OFF	OFF	OFF	ON OFF 8 7 6 5 4 3 2 1
3 y 4	OFF	OFF	ON	ON OFF 8 7 6 5 4 3 2 1
5 y 6	OFF	ON	OFF	ON OFF 8 7 6 5 4 3 2 1
7 y 8	OFF	ON	ON	ON OFF 8 7 6 5 4 3 2 1
9 y 10	ON	OFF	OFF	ON OFF 8 7 6 5 4 3 2 1
11 y 12	ON	OFF	ON	ON OFF 8 7 6 5 4 3 2 1
13 y 14	ON	ON	OFF	ON OFF 8 7 6 5 4 3 2 1
15 y 16	ON	ON	ON	ON OFF 8 7 6 5 4 3 2 1

## Opciones del programa Blackmagic Converters Setup

Este programa utilitario permite cambiar la configuración del convertor y actualizar el software interno. Se puede acceder a las distintas opciones mediante las pestañas **Video** y **About**.

Para obtener más información sobre la pestaña **About**, consulte el apartado **Modificación de ajustes** en este manual.

A continuación se muestran los ajustes disponibles en la pestaña **Video**.

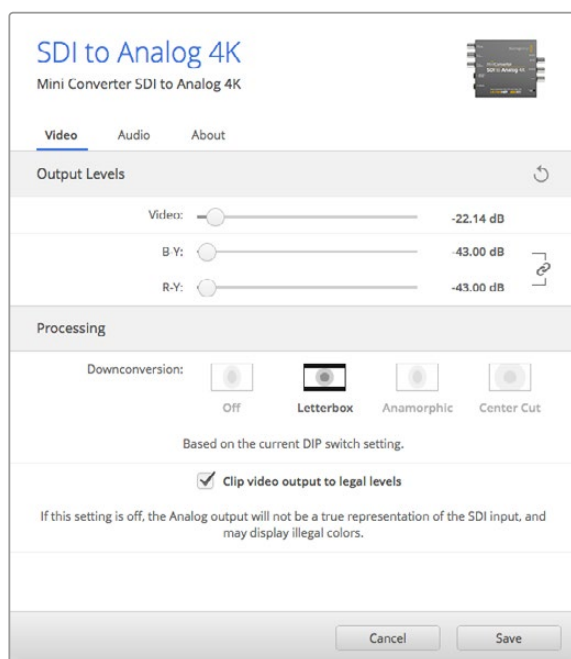
### Ganancia

La opción **Output Levels** permite modificar los parámetros cromáticos y de luminancia, así como ajustar los niveles de los componentes B-Y o R-Y.

### Procesamiento

Este panel permite seleccionar la relación de aspecto de la señal subconvertida. Las opciones disponibles son **Off**, **Letterbox**, **Anamorphic** o **Center Cut**.

Al activar la opción **Clip video output to legal levels** se ajustan los parámetros de la señal SDI entrante, a fin de garantizar que se encuentren dentro del rango aceptable para el formato HDMI. Se aconseja dejar esta casilla marcada.

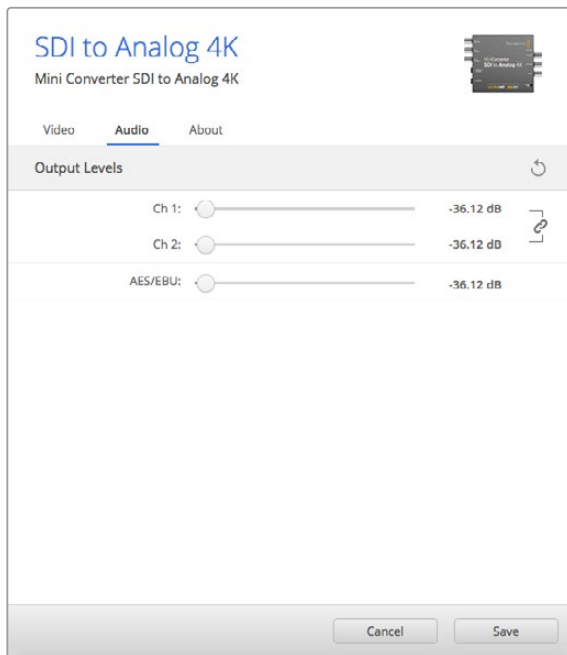


Las opciones de la pestaña **Video** permiten cambiar los parámetros de procesamiento y los valores de la señal analógica.

A continuación se muestran los ajustes disponibles en la pestaña **Audio**.

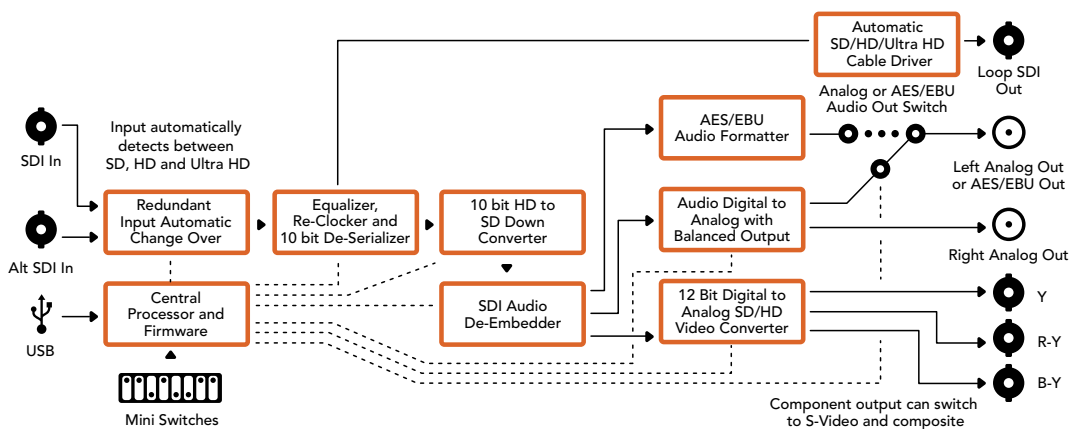
### Ganancia

El menú **Input Levels** permite ajustar la ganancia de la señal de audio entrante. La intensidad de cada canal se puede modificar independientemente. De manera alternativa, para ajustar ambos canales en forma simultánea, haga clic en el ícono situado a la derecha de los controles deslizantes. Para restablecer los valores a 0 dB, haga clic en la flecha circular situada en el margen derecho de la ventana.



Las opciones de la pestaña **Audio** permiten ajustar los valores de los canales analógicos.

## Diagrama de bloques



## Mini Converter Analog to SDI

Este modelo y su versión Heavy Duty permiten procesar señales de equipos analógicos tales como unidades Betacam SP, cámaras HDV y consolas de videojuegos para obtener contenidos SDI. Son compatibles con diversos formatos analógicos y digitales que incluyen señales compuestas (NTSC/PAL), por componentes (SD/HD) o S-Video. Las salidas SDI brindan la posibilidad de integrar canales de audio analógico o digital al realizar la conversión.



## Conexiones

- 1 Y or NTSC/PAL**  
Entrada para señales analógicas por componentes (Y) o compuestas (NTSC/PAL) con conector BNC.
- 2 B-Y or S-VIDEO Y**  
Entrada para señales analógicas por componentes (B-Y) o S-Video (Y) con conector BNC.
- 3 R-Y or S-VIDEO C**  
Entrada para señales analógicas por componentes (R-Y) o S-Video (C) con conector BNC.
- 4 L - ANALOG or AES/EBU**  
Entrada para señales de audio analógicas balanceadas (canal izquierdo) o digitales con conector de 0.25 pulgadas.
- 5 R - ANALOG**  
Entrada para señales de audio analógicas balanceadas (canal derecho) con conector de 0.25 pulgadas.
- 6 Puerto mini-USB tipo B**  
Permite conectar el dispositivo a un equipo informático Mac OS X o Windows para utilizar el programa Blackmagic Converters Setup. También sirve para actualizar el software interno del conector.
- 7 SDI OUT**  
Salida SDI con conector BNC.
- 8 SDI OUT**  
Salida SDI secundaria.
- 9 POWER +12V**  
Entrada para fuente de alimentación de 12 voltios.

## Interruptores

**SUGERENCIA:** En la versión Heavy Duty de este modelo, los interruptores se encuentran protegidos por una cubierta de goma. Simplemente levante el borde para abrirla y acceder a ellos.

Los interruptores de este modelo brindan las siguientes opciones:

### Interruptor 8 - Audio analógico, AES/EBU

Coloque este interruptor en la posición **OFF** para recibir señales de audio analógicas balanceadas o en la posición **ON** para señales digitales en formato AES/EBU.

### Interruptor 7- 7.5 IRE, 0.0 IRE

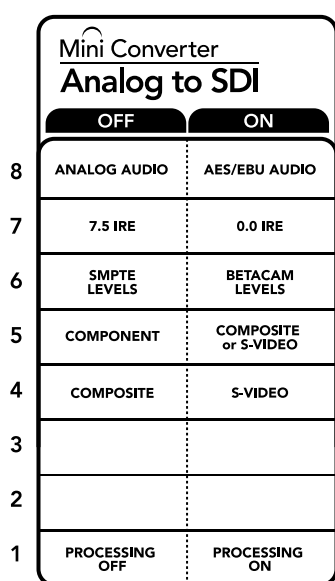
En Estados Unidos y otros países que utilizan la norma NTSC con un valor IRE de 7.5, este interruptor debe colocarse en la posición **OFF**. De lo contrario, colóquelo en la posición **ON**. Este parámetro solo afecta a las salidas para señales compuestas o S-Video.

### Interruptor 6 - Niveles SMPTE, Betacam

Permite seleccionar parámetros SMPTE o Betacam. Coloque este interruptor en la posición **OFF** para elegir la opción SMPTE o en la posición **ON** para Betacam. Los valores SMPTE son más comunes e incluso pueden ser utilizados por las unidades Betacam SP. Por lo tanto, solo escoja la segunda opción si está seguro de que empleará parámetros Betacam.

### Interruptor 5 - Señales compuestas, por componentes o S-Video.

Coloque este interruptor en la posición **OFF** para obtener señales analógicas por componentes o en la posición **ON** para señales compuestas o en formato S-Video.



El diagrama situado en la base del convertidor proporciona toda la información necesaria para modificar su configuración.

### Interruptor 4 - Señales compuestas, S-Video

Coloque este interruptor en la posición **OFF** para obtener señales compuestas o en la posición **ON** para S-Video.

### Interruptor 1- Activar/desactivar procesamiento

Este interruptor no se utiliza.

### Ejemplo de configuración mediante los interruptores

Intente configurar el convertidor para obtener una señal por componentes con canales de audio analógico colocando los interruptores 8 y 5 en la posición **OFF**.

## Opciones del programa Blackmagic Converters Setup

Este programa utilitario permite cambiar la configuración del convertidor y actualizar el software interno. Se puede acceder a las distintas opciones mediante las pestañas **Video** y **About**.

Para obtener más información sobre la pestaña **About**, consulte el apartado *Modificación de ajustes* en este manual.

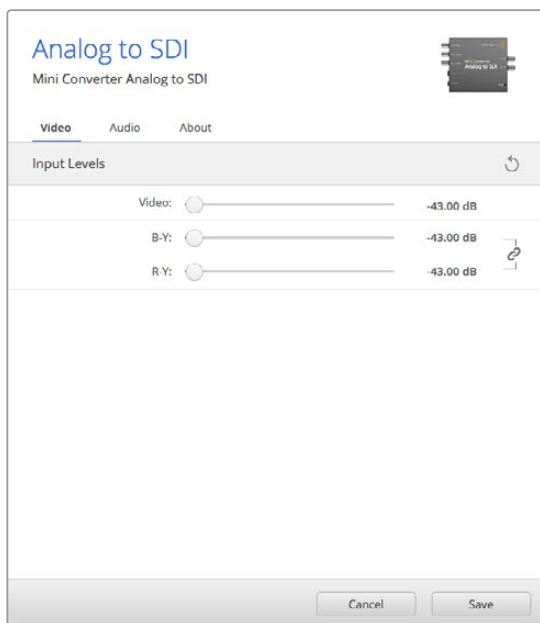


A continuación se muestran los ajustes disponibles en la pestaña **Video**.

### Ganancia

La opción **Output Levels** permite modificar los parámetros cromáticos y de luminancia, así como ajustar los niveles de los componentes B-Y o R-Y.

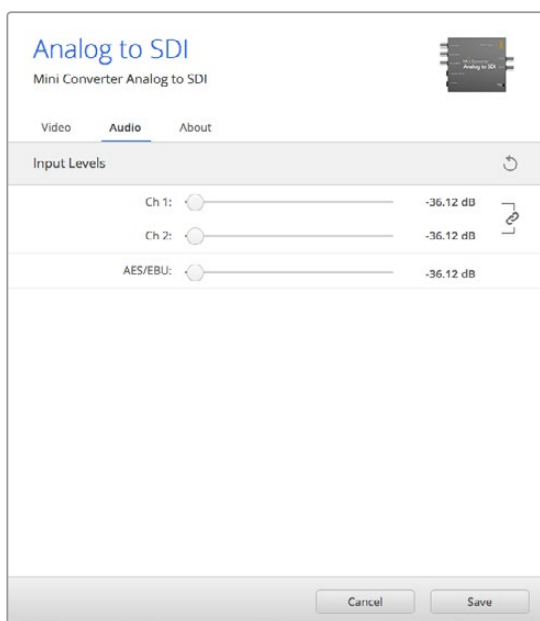
A continuación se muestran los ajustes disponibles en la pestaña **Audio**.



Las opciones de la pestaña **Video** permiten cambiar los parámetros de la señal.

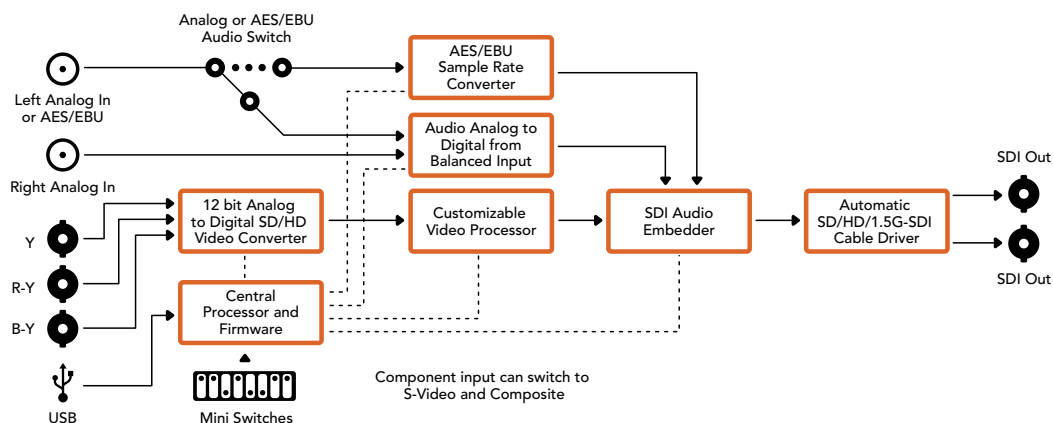
### Ganancia

El menú **Input Levels** permite ajustar la ganancia de la señal de audio entrante. La intensidad de cada canal se puede modificar independientemente. De manera alternativa, para ajustar ambos canales en forma simultánea, haga clic en el ícono situado a la derecha de los controles deslizantes. Para restablecer los valores a 0 dB, haga clic en la flecha circular situada en el margen derecho de la ventana.



Las opciones de la pestaña **Audio** permiten ajustar los valores de los canales analógicos.

## Diagrama de bloques



## Mini Converter SDI to Audio

Este modelo permite aislar el audio integrado en cualquier señal SDI y transmitir cuatro canales analógicos u ocho digitales (AES/EBU), brindando de esta manera la posibilidad de utilizar equipos tales como mesas de mezcla, grabadores analógicos y monitores de referencia. Asimismo, se pueden obtener canales de audio adicionales conectando otro convertidor a la salida SDI del dispositivo.



## Conexiones

- 1 CH 1 ANALOG or CH 1 & 2 AES/EBU**  
Salida para señales de audio analógicas balanceadas (canal 1) o digitales (canales 1 y 2) con conector de 0.25 pulgadas.
- 2 CH 2 ANALOG or CH 3 & 4 AES/EBU**  
Salida para señales de audio analógicas balanceadas (canal 2) o digitales (canales 3 y 4) con conector de 0.25 pulgadas.
- 3 CH 3 ANALOG or CH 5 & 6 AES/EBU**  
Salida para señales de audio analógicas balanceadas (canal 3) o digitales (canales 5 y 6) con conector de 0.25 pulgadas.
- 4 CH 4 ANALOG or CH 7 & 8 AES/EBU**  
Salida para señales de audio analógicas balanceadas (canal 4) o digitales (canales 7 y 8) con conector de 0.25 pulgadas.

## 5 Puerto mini-USB tipo B

Permite conectar el dispositivo a un equipo informático Mac OS X o Windows para utilizar el programa Blackmagic Converters Setup. También sirve para actualizar el software interno del conector.

## 6 SDI OUT

Salida SDI derivada con conector BNC.

## 7 ALT SDI IN

Entrada SDI adicional que puede utilizarse a modo de respaldo. Al utilizar las entradas SDI IN y ALT SDI IN en forma simultánea, esta última entrará en funcionamiento en caso de que se produzca una falla en la señal principal. Si esto sucede, el indicador SDI LOCK se encenderá de forma intermitente para señalar que el dispositivo está usando la entrada alternativa.

## 8 SDI IN

Entrada SDI principal.

## 9 POWER +12V

Entrada para fuente de alimentación de 12 voltios.

## Interrupidores

Los interruptores de este modelo brindan las siguientes opciones:

### Interruptor 8 - Audio analógico, AES/EBU

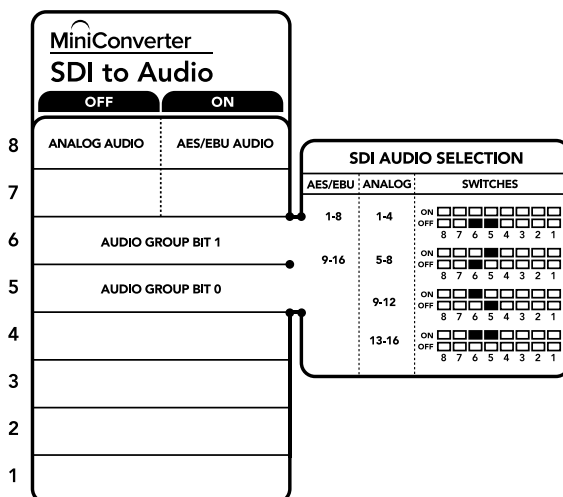
Coloque este interruptor en la posición **OFF** para transmitir señales de audio analógicas balanceadas o en la posición **ON** para señales digitales en formato AES/EBU.

### Interruptor 6 - agrupar audio, bit 1

Los interruptores 6 y 5 ofrecen varias combinaciones posibles que permiten obtener cuatro grupos de cuatro canales analógicos o dos grupos de ocho canales digitales a partir de la señal SDI.

### Interruptor 5 - agrupar audio, bit 0

Ver descripción para el interruptor 6.



El diagrama situado en la base del convertidor proporciona toda la información necesaria para modificar su configuración.

## Ejemplo de configuración mediante los interruptores

Pruebe diferentes opciones cambiando la configuración de los interruptores. Seleccione los canales 1 a 4 colocando los interruptores 8, 6 y 5 en la posición **OFF**.

Tabla de referencia para la selección de audio

Canales de audio analógico	Interruptor 6	Interruptor 5	Diagrama
1 a 4	OFF	OFF	
5 a 8	OFF	ON	
9 a 12	ON	OFF	
13 a 16	ON	ON	

Canales de audio digital (AES/EBU)	Interruptor 6	Interruptor 5	Diagrama
1 a 8	OFF	OFF	
9 a 16	OFF	ON	

## Opciones del programa Blackmagic Converters Setup

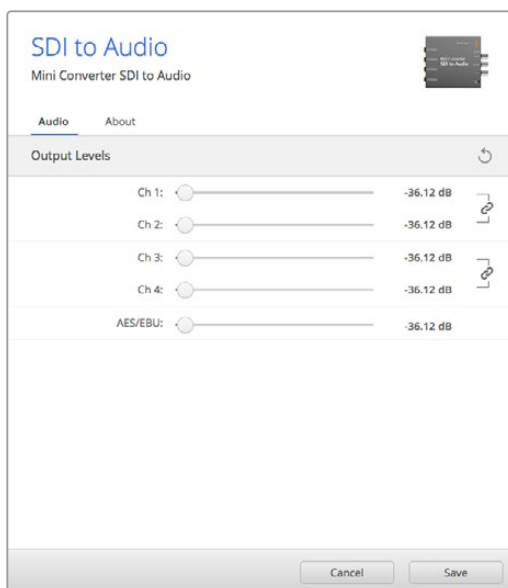
Este programa utilitario permite cambiar la configuración del convertor y actualizar el software interno. Se puede acceder a las distintas opciones mediante las pestañas **Audio** y **About**.

Para obtener más información sobre la pestaña **About**, consulte el apartado **Modificación de ajustes** en este manual.

A continuación se muestran los ajustes disponibles en la pestaña **Audio**.

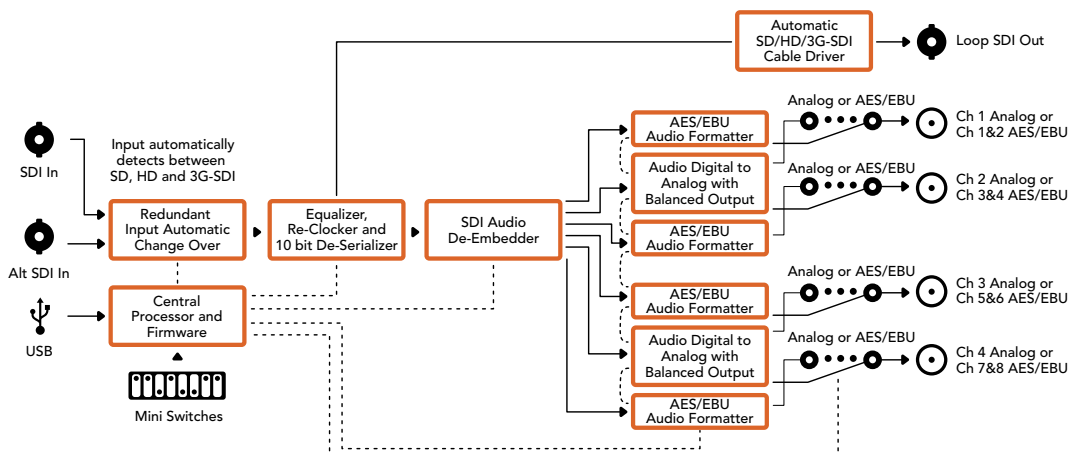
### Ganancia

El menú **Output Levels** permite ajustar la ganancia de la señal de audio transmitida. La intensidad de cada canal se puede modificar independientemente. De manera alternativa, para ajustar ambos canales en forma simultánea, haga clic en el ícono situado a la derecha de los controles deslizantes. Para restablecer los valores a 0 dB, haga clic en la flecha circular situada en el margen derecho de la ventana.



Las opciones de la pestaña **Audio** permiten ajustar la intensidad del volumen.

## Diagrama de bloques



## Mini Converter SDI to Audio 4K

Este modelo permite aislar el audio integrado en cualquier señal SDI y transmitir cuatro canales analógicos u ocho digitales (AES/EBU), brindando de esta manera la posibilidad de utilizar equipos tales como mesas de mezcla, grabadores analógicos y monitores de referencia. Asimismo, se pueden obtener canales de audio adicionales conectando otro convertidor a la salida SDI del dispositivo.



## Conexiones

- 1 CH 1 ANALOG or CH 1 & 2 AES/EBU**  
Salida para señales de audio analógicas balanceadas (canal 1) o digitales (canales 1 y 2) con conector de 0.25 pulgadas.
- 2 CH 2 ANALOG or CH 3 & 4 AES/EBU**  
Salida para señales de audio analógicas balanceadas (canal 2) o digitales (canales 3 y 4) con conector de 0.25 pulgadas.
- 3 CH 3 ANALOG or CH 5 & 6 AES/EBU**  
Salida para señales de audio analógicas balanceadas (canal 3) o digitales (canales 5 y 6) con conector de 0.25 pulgadas.
- 4 CH 4 ANALOG or CH 7 & 8 AES/EBU**  
Salida para señales de audio analógicas balanceadas (canal 4) o digitales (canales 7 y 8) con conector de 0.25 pulgadas.

## 5 Puerto mini-USB tipo B

Permite conectar el dispositivo a un equipo informático Mac OS X o Windows para utilizar el programa Blackmagic Converters Setup. También sirve para actualizar el software interno del conector.

## 6 SDI OUT

Salida SDI derivada con conector BNC.

## 7 ALT SDI IN

Entrada SDI adicional que puede utilizarse a modo de respaldo. Al utilizar las entradas SDI IN y ALT SDI IN en forma simultánea, esta última entrará en funcionamiento en caso de que se produzca una falla en la señal principal. Si esto sucede, el indicador SDI LOCK se encenderá de forma intermitente para señalar que el dispositivo está usando la entrada alternativa.

## 8 SDI IN

Entrada SDI principal.

## 9 POWER +12V

Entrada para fuente de alimentación de 12 voltios.

## Interrupidores

Los interruptores de este modelo brindan las siguientes opciones:

### Interruptor 8 - Audio analógico, AES/EBU

Coloque este interruptor en la posición **OFF** para transmitir señales de audio analógicas balanceadas o en la posición **ON** para señales digitales en formato AES/EBU.

### Interruptor 6 - agrupar audio, bit 1

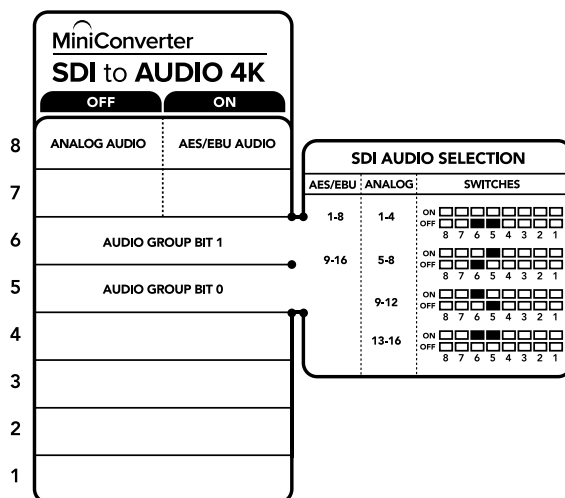
Los interruptores 6 y 5 ofrecen varias combinaciones posibles que permiten obtener cuatro grupos de cuatro canales analógicos o dos grupos de ocho canales digitales a partir de la señal SDI.

### Interruptor 5 - agrupar audio, bit 0

Ver descripción para el interruptor 6.

## Ejemplo de configuración mediante los interruptores

Pruebe diferentes opciones cambiando la configuración de los interruptores. Seleccione los canales 1 a 4 colocando los interruptores 8, 6 y 5 en la posición **OFF**.



El diagrama situado en la base del convertor proporciona toda la información necesaria para modificar su configuración.

## Tabla de referencia para la selección de audio

Canales de audio analógico	Interruptor 6	Interruptor 5	Diagrama
1 a 4	OFF	OFF	
5 a 8	OFF	ON	
9 a 12	ON	OFF	
13 a 16	ON	ON	
Canales de audio digital (AES/EBU)	Interruptor 6	Interruptor 5	Diagrama
1 a 8	OFF	OFF	
9 a 16	OFF	ON	

## Opciones del programa Blackmagic Converters Setup

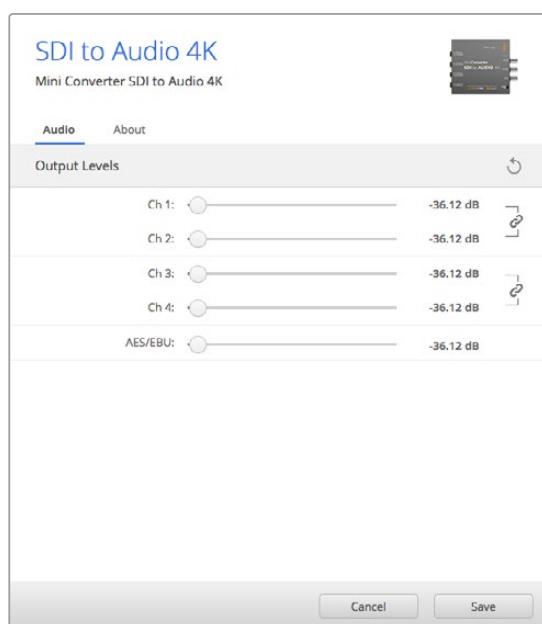
Este programa utilitario permite cambiar la configuración del convertor y actualizar el software interno. Se puede acceder a las distintas opciones mediante las pestañas **Audio** y **About**.

Para obtener más información sobre la pestaña **About**, consulte el apartado *Modificación de ajustes* en este manual.

A continuación se muestran los ajustes disponibles en la pestaña **Audio**.

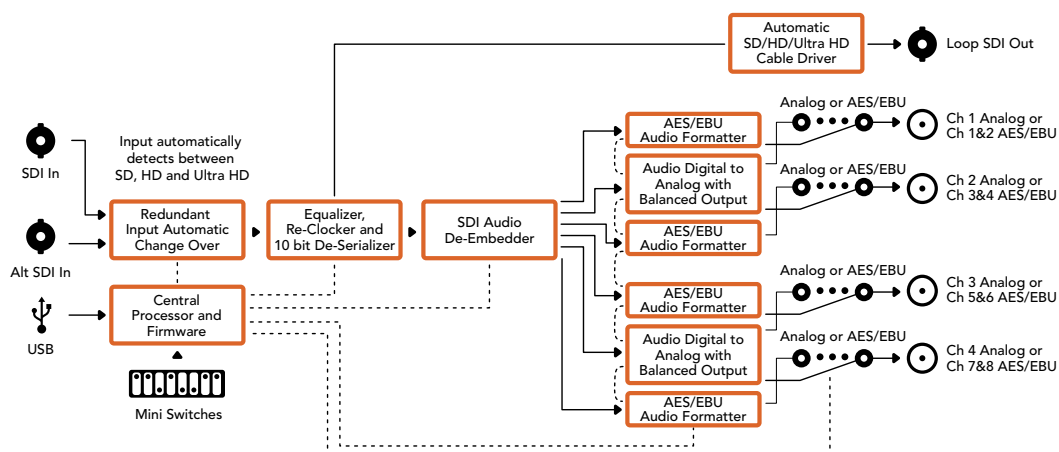
### Ganancia

El menú **Output Levels** permite ajustar la ganancia de la señal de audio transmitida. La intensidad de cada canal se puede modificar independientemente. De manera alternativa, para ajustar ambos canales en forma simultánea, haga clic en el ícono situado a la derecha de los controles deslizantes. Para restablecer los valores a 0 dB, haga clic en la flecha circular situada en el margen derecho de la ventana.



Las opciones de la pestaña **Audio** permiten ajustar los valores de los canales analógicos.

## Diagrama de bloques



## Mini Converter Audio to SDI

Este modelo permite integrar cuatro canales de audio analógico u ocho canales digitales (AES/EBU) en cualquier señal SDI, brindando de este modo la posibilidad de conectar una gran variedad de dispositivos, tales como mesas de mezcla y grabadores analógicos, para utilizarlos con conmutadores matriciales y otros equipos similares. Asimismo, se pueden integrar canales de audio adicionales conectando otro convertor a la salida SDI del dispositivo.



## Conexiones

- 1 CH 1 ANALOG or CH 1 & 2 AES/EBU**  
 Entrada para señales de audio analógicas balanceadas (canal 1) o digitales (canales 1 y 2) con conector de 0.25 pulgadas.
- 2 CH 2 ANALOG or CH 3 & 4 AES/EBU**  
 Entrada para señales de audio analógicas balanceadas (canal 2) o digitales (canales 3 y 4) con conector de 0.25 pulgadas.
- 3 CH 3 ANALOG or CH 5 & 6 AES/EBU**  
 Entrada para señales de audio analógicas balanceadas (canal 3) o digitales (canales 5 y 6) con conector de 0.25 pulgadas.
- 4 CH 4 ANALOG or CH 7 & 8 AES/EBU**  
 Entrada para señales de audio analógicas balanceadas (canal 4) o digitales (canales 7 y 8) con conector de 0.25 pulgadas.



### 5 Puerto mini-USB tipo B

Permite conectar el dispositivo a un equipo informático Mac OS X o Windows para utilizar el programa Blackmagic Converters Setup. También sirve para actualizar el software interno del conector.

### 6 SDI OUT

Salida SDI derivada con conector BNC.

### 7 ALT SDI IN

Entrada SDI adicional que puede utilizarse a modo de respaldo. Al utilizar las entradas SDI IN y ALT SDI IN en forma simultánea, esta última entrará en funcionamiento en caso de que se produzca una falla en la señal principal. Si esto sucede, el indicador SDI LOCK se encenderá de forma intermitente para señalar que el dispositivo está usando la entrada alternativa.

### 8 SDI IN

Entrada SDI principal.

### 9 POWER +12V

Entrada para fuente de alimentación de 12 voltios.

## Interruptores

Los interruptores de este modelo brindan las siguientes opciones:

### Interruptor 8 - Audio analógico, AES/EBU

Coloque este interruptor en la posición **OFF** para recibir señales de audio analógicas balanceadas o en la posición **ON** para señales digitales en formato AES/EBU.

### Interruptor 7 - Activar/desactivar conversión de la frecuencia de muestreo

Coloque este interruptor en la posición **OFF** para activar la función de conversión de la frecuencia de muestreo o en la posición **ON** para desactivarla. En general, siempre debe estar en **OFF** para integrar el audio utilizando una frecuencia de muestreo adecuada para la industria televisiva.

De esta forma, al realizar la conversión, los canales en formato analógico o AES/EBU se integran a una frecuencia de 48 kHz. Cuando el interruptor 7 se encuentra en la posición **ON**, esta función queda desactivada y se mantiene la frecuencia original del audio.

### Interruptor 6 - agrupar audio, bit 1

Los interruptores 6 y 5 ofrecen varias combinaciones posibles que permiten integrar cuatro canales analógicos u ocho digitales (AES/EBU) en la señal transmitida mediante la salida SDI.

### Interruptor 5 - agrupar audio, bit 0

Ver descripción para el interruptor 6.

### Tabla de referencia para la selección de audio

Canales de audio analógico	Interruptor 6	Interruptor 5	Diagrama
1 a 4	OFF	OFF	
5 a 8	OFF	ON	
9 a 12	ON	OFF	
13 a 16	ON	ON	

Canales de audio digital (AES/EBU)	Interruptor 6	Interruptor 5	Diagrama
1 a 8	OFF	OFF	
9 a 16	OFF	ON	

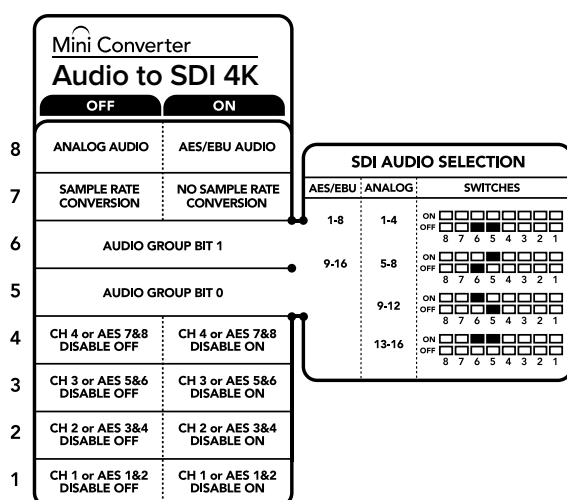
## Integrar o desactivar canales de audio

Luego de elegir los canales de audio, los interruptores 4, 3, 2 y 1 permiten integrarlos en la señal o desactivarlos. Esta última opción evita sobrescribir los canales que se desean conservar.

Por ejemplo, al colocar el interruptor 1 en la posición **ON**, se desactiva el canal analógico 1 o los canales digitales 1 y 2. De manera alternativa, estos se pueden integrar en la señal colocando el interruptor en la posición **OFF**.

### Configuración para integrar o desactivar canales de audio

Interruptor	Posición	Canales de audio
4	ON	Desactiva el canal analógico 4 y los canales digitales 7 y 8.
	OFF	Integra el canal analógico 4 y los canales digitales 7 y 8.
3	ON	Desactiva el canal analógico 3 y los canales digitales 5 y 6.
	OFF	Integra el canal analógico 3 y los canales digitales 5 y 6.
2	ON	Desactiva el canal analógico 2 y los canales digitales 3 y 4.
	OFF	Integra el canal analógico 2 y los canales digitales 3 y 4.
1	ON	Desactiva el canal analógico 1 y los canales digitales 1 y 2.
	OFF	Integra el canal analógico 1 y los canales digitales 1 y 2.



El diagrama situado en la base del convertidor proporciona toda la información necesaria para modificar su configuración.

## Ejemplo de configuración mediante los interruptores

Pruebe diferentes opciones cambiando la configuración de los interruptores. Seleccione los canales 1 a 4 colocando los interruptores 8, 6 y 5 en la posición **OFF**.

## Opciones del programa Blackmagic Converters Setup

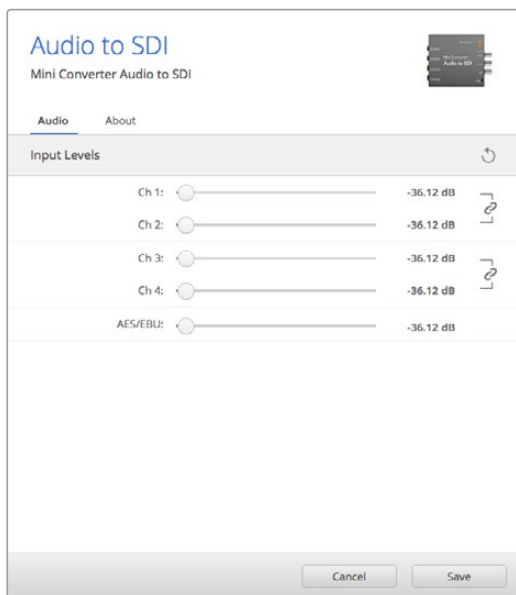
Este programa utilitario permite cambiar la configuración del conversor y actualizar el software interno. Se puede acceder a las distintas opciones mediante las pestañas **Audio** y **About**.

Para obtener más información sobre la pestaña **About**, consulte el apartado *Modificación de ajustes* en este manual.

A continuación se muestran los ajustes disponibles en la pestaña **Audio**.

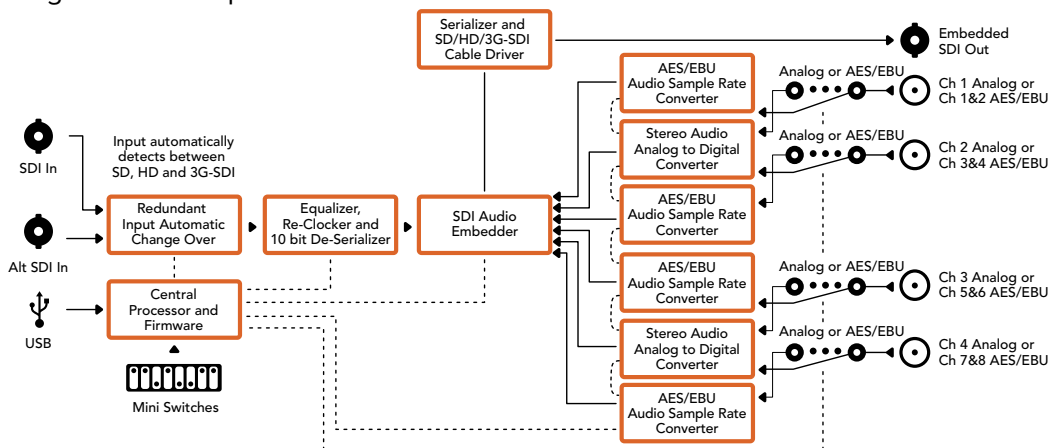
### Ganancia

El menú **Input Levels** permite modificar la intensidad de cada canal independientemente. De manera alternativa, para ajustar ambos canales en forma simultánea, haga clic en el ícono situado a la derecha de los controles deslizantes. Para restablecer los valores a 0 dB, haga clic en la flecha circular situada en el margen derecho de la ventana.



Las opciones de la pestaña **Audio** permiten ajustar los valores de los canales analógicos.

## Diagrama de bloques



## Mini Converter Audio to SDI 4K

Este modelo permite integrar cuatro canales de audio analógico u ocho canales digitales (AES/EBU) en cualquier señal SDI, brindando de este modo la posibilidad de conectar una gran variedad de dispositivos, tales como mesas de mezcla y grabadores analógicos, para utilizarlos con conmutadores matriciales y otros equipos similares. Asimismo, se pueden integrar canales de audio adicionales conectando otro convertidor a la salida SDI del dispositivo.



### Conexiones

- 1 CH 1 ANALOG or CH 1 & 2 AES/EBU**  
Entrada para señales de audio analógicas balanceadas (canal 1) o digitales (canales 1 y 2) con conector de 0.25 pulgadas.
- 2 CH 2 ANALOG or CH 3 & 4 AES/EBU**  
Entrada para señales de audio analógicas balanceadas (canal 2) o digitales (canales 3 y 4) con conector de 0.25 pulgadas.
- 3 CH 3 ANALOG or CH 5 & 6 AES/EBU**  
Entrada para señales de audio analógicas balanceadas (canal 3) o digitales (canales 5 y 6) con conector de 0.25 pulgadas.
- 4 CH 4 ANALOG or CH 7 & 8 AES/EBU**  
Entrada para señales de audio analógicas balanceadas (canal 4) o digitales (canales 7 y 8) con conector de 0.25 pulgadas.
- 5 Puerto mini-USB tipo B**  
Permite conectar el dispositivo a un equipo informático Mac OS X o Windows para utilizar el programa Blackmagic Converters Setup. También sirve para actualizar el software interno del conector.
- 6 SDI OUT**  
Salida SDI derivada con conector BNC.
- 7 ALT SDI IN**  
Entrada SDI adicional que puede utilizarse a modo de respaldo. Al utilizar las entradas SDI IN y ALT SDI IN en forma simultánea, esta última entrará en funcionamiento en caso de que se produzca una falla en la señal principal. Si esto sucede, el indicador SDI LOCK se encenderá de forma intermitente para señalar que el dispositivo está usando la entrada alternativa.
- 8 SDI IN**  
Entrada SDI principal.
- 9 POWER +12V**  
Entrada para fuente de alimentación de 12 voltios.

## Interruptores

Los interruptores de este modelo brindan las siguientes opciones:

### Interruptor 8 - Audio analógico, AES/EBU

Coloque este interruptor en la posición **OFF** para recibir señales de audio analógicas balanceadas o en la posición **ON** para señales digitales en formato AES/EBU.

### Interruptor 7 - Activar/desactivar conversión de la frecuencia de muestreo

Coloque este interruptor en la posición **OFF** para activar la función de conversión de la frecuencia de muestreo o en la posición **ON** para desactivarla. En general, siempre debe estar en **OFF** para integrar el audio utilizando una frecuencia de muestreo adecuada para la industria televisiva.

De esta forma, al realizar la conversión, los canales en formato analógico o AES/EBU se integran a una frecuencia de 48 kHz. Cuando el interruptor 7 se encuentra en la posición **ON**, esta función queda desactivada y se mantiene la frecuencia original del audio.

### Interruptor 6 - agrupar audio, bit 1

Los interruptores 6 y 5 ofrecen varias combinaciones posibles que permiten integrar cuatro canales analógicos u ocho digitales (AES/EBU) en la señal transmitida mediante la salida SDI.

### Interruptor 5 - agrupar audio, bit 0

Ver descripción para el interruptor 6.

### Tabla de referencia para la selección de audio

Canales de audio analógico	Interruptor 6	Interruptor 5	Diagrama
1 a 4	OFF	OFF	
5 a 8	OFF	ON	
9 a 12	ON	OFF	
13 a 16	ON	ON	
Canales de audio digital (AES/EBU)	Interruptor 6	Interruptor 5	Diagrama
1 a 8	OFF	OFF	
9 a 16	OFF	ON	

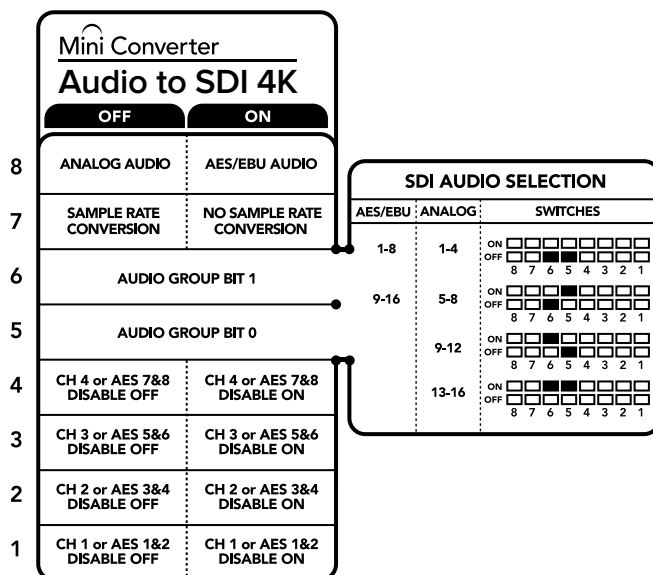
## Integrar o desactivar canales de audio

Luego de elegir los canales de audio, los interruptores 4, 3, 2 y 1 permiten integrarlos en la señal o desactivarlos. Esta última opción evita sobrescribir los canales que se desean conservar.

Por ejemplo, al colocar el interruptor 1 en la posición **ON**, se desactiva el canal analógico 1 o los canales digitales 1 y 2. De manera alternativa, estos se pueden integrar en la señal colocando el interruptor en la posición **OFF**.

## Configuración para integrar o desactivar canales de audio

Interruptor	Posición	Canales de audio
4	ON	Desactiva el canal analógico 4 y los canales digitales 7 y 8.
	OFF	Integra el canal analógico 4 y los canales digitales 7 y 8.
3	ON	Desactiva el canal analógico 3 y los canales digitales 5 y 6.
	OFF	Integra el canal analógico 3 y los canales digitales 5 y 6.
2	ON	Desactiva el canal analógico 2 y los canales digitales 3 y 4.
	OFF	Integra el canal analógico 2 y los canales digitales 3 y 4.
1	ON	Desactiva el canal analógico 1 y los canales digitales 1 y 2.
	OFF	Integra el canal analógico 1 y los canales digitales 1 y 2.



El diagrama situado en la base del convertidor proporciona toda la información necesaria para modificar su configuración.

### Ejemplo de configuración mediante los interruptores

Pruebe diferentes opciones cambiando la configuración de los interruptores. Seleccione los canales 1 a 4 colocando los interruptores 8, 6 y 5 en la posición **OFF**.

## Opciones del programa Blackmagic Converters Setup

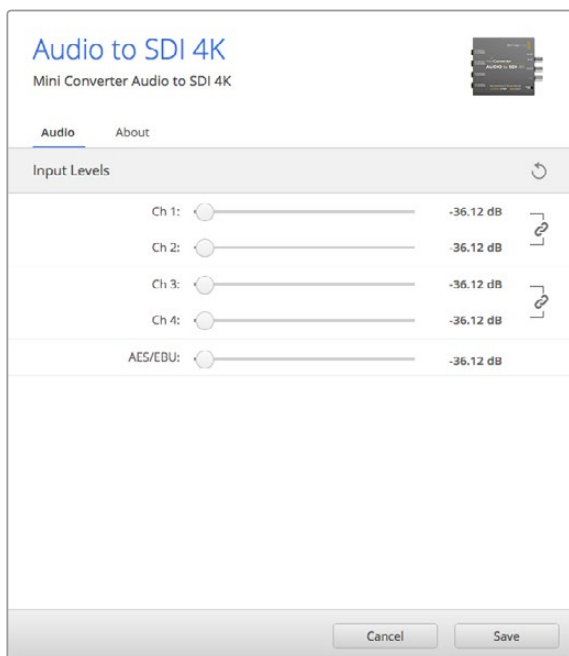
Este programa utilitario permite cambiar la configuración del convertidor y actualizar el software interno. Se puede acceder a las distintas opciones mediante las pestañas **Audio** y **About**.

Para obtener más información sobre la pestaña **About**, consulte el apartado *Modificación de ajustes* en este manual.

A continuación se muestran los ajustes disponibles en la pestaña **Audio**.

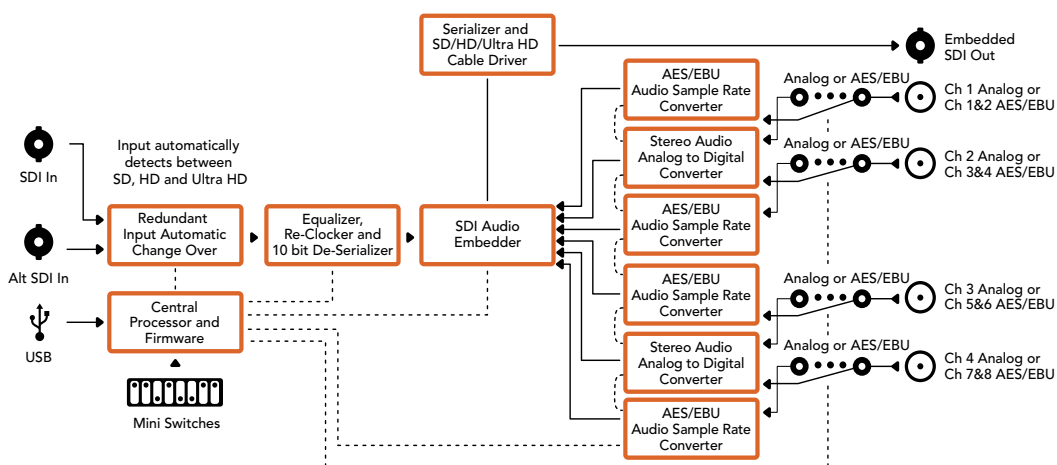
## Ganancia

El menú **Input Levels** permite modificar la intensidad de cada canal independientemente. De manera alternativa, para ajustar ambos canales en forma simultánea, haga clic en el ícono situado a la derecha de los controles deslizantes. Para restablecer los valores a 0 dB, haga clic en la flecha circular situada en el margen derecho de la ventana.



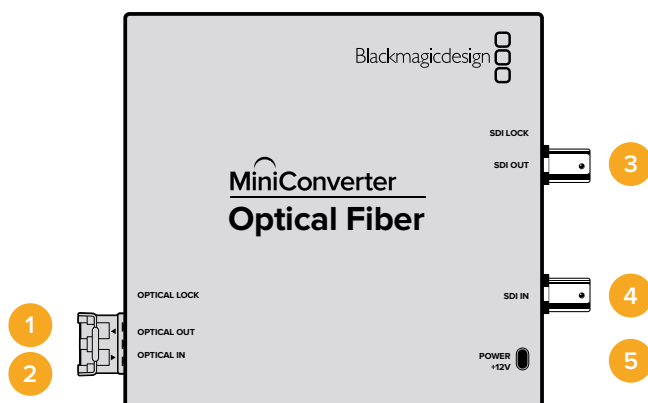
Las opciones de la pestaña **Audio** permiten ajustar los valores de los canales analógicos.

## Diagrama de bloques



## Mini Converter Optical Fiber

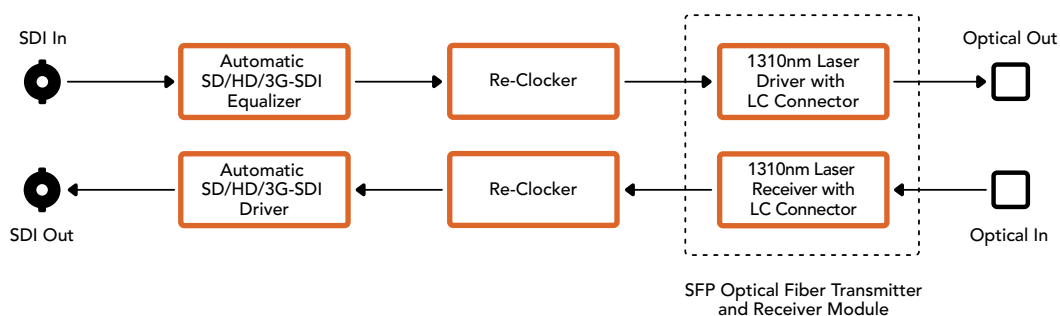
Este modelo permite transmitir contenidos por fibra óptica a partir de una señal SDI o viceversa en forma simultánea. El dispositivo selecciona automáticamente la definición más adecuada y las conversiones se realizan en un sentido u otro de manera independiente. Resulta ideal cuando es necesario abarcar distancias mayores que no se pueden cubrir mediante el uso de cables SDI. Al emplear conexiones de fibra óptica, es posible transmitir una señal SD a un equipo situado a 45 kilómetros, mientras que con cables de cobre no se superan los 90 metros. La tecnología SDI 3G brinda la posibilidad de alcanzar una distancia de 25 kilómetros.



## Conexiones

- 1 OPTICAL OUT**  
Salida para cables de fibra óptica monomodo con conector LC.
- 2 OPTICAL IN**  
Entrada para cables de fibra óptica monomodo con conector LC.
- 3 SDI OUT**  
Salida SDI con conector BNC para equipos convencionales.
- 4 SDI IN**  
Entrada SDI con conector BNC para equipos convencionales.
- 5 POWER +12V**  
Entrada para fuente de alimentación de 12 voltios.

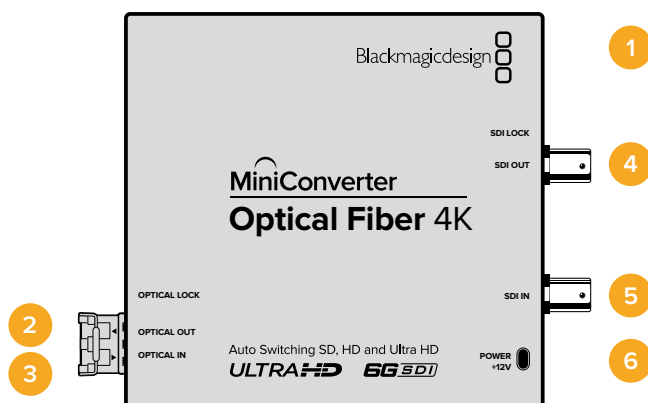
## Diagrama de bloques





## Mini Converter Optical Fiber 4K

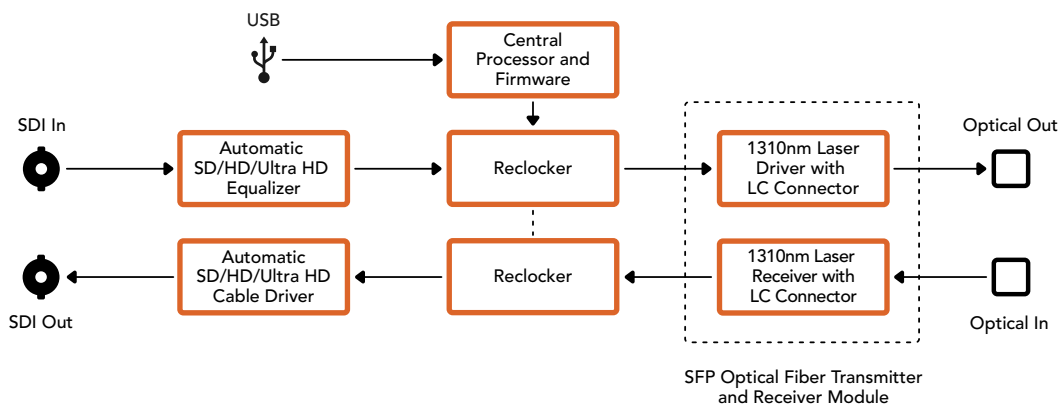
Este modelo incluye conectividad SDI 6G que permite transmitir contenidos por fibra óptica a partir de una señal SDI o viceversa en forma simultánea. El dispositivo selecciona automáticamente la definición más adecuada y las conversiones se realizan en un sentido u otro de manera independiente. Resulta ideal cuando es necesario abarcar distancias mayores que no se pueden cubrir mediante el uso de cables SDI. Al emplear conexiones de fibra óptica, es posible transmitir una señal SD a un equipo situado a 45 kilómetros, mientras que con cables de cobre no se superan los 90 metros. La tecnología SDI 6G brinda la posibilidad de alcanzar una distancia de 12 kilómetros.



## Conexiones

- 1 Puerto mini-USB tipo B**  
Permite actualizar el software interno del conector.
- 2 OPTICAL OUT**  
Salida para cables de fibra óptica monomodo con conector LC.
- 3 OPTICAL IN**  
Entrada para cables de fibra óptica monomodo con conector LC.
- 4 SDI OUT**  
Salida SDI con conector BNC para equipos convencionales.
- 5 SDI IN**  
Entrada SDI con conector BNC para equipos convencionales.
- 6 POWER +12V**  
Entrada para fuente de alimentación de 12 voltios.

## Diagrama de bloques



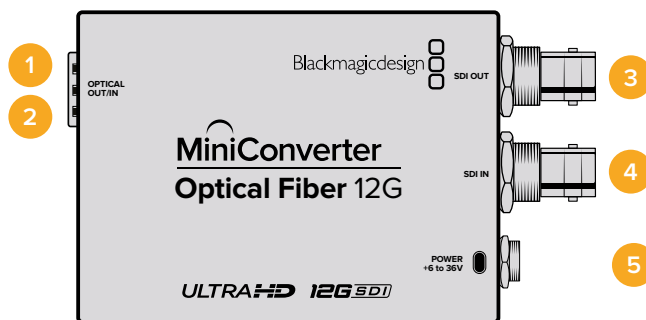
## Mini Converter Optical Fiber 12G

Este modelo facilita la conversión entre señales SDI y por fibra óptica en forma simultánea.

Para ello, es posible instalar un módulo SFP compatible con distintas velocidades de transmisión.

El dispositivo detecta automáticamente la definición original y ajusta el formato de salida para que coincida. Cabe destacar además que es posible convertir a SDI y fibra óptica al mismo tiempo.

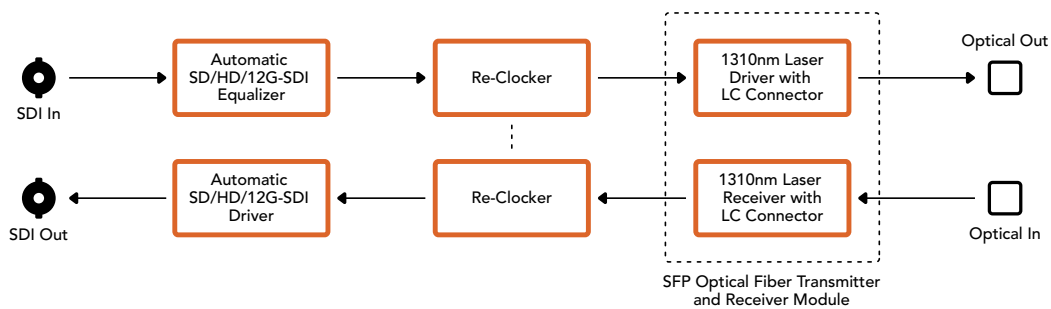
Esta versión resulta ideal cuando es necesario abarcar distancias mayores a las que permiten cubrir los cables SDI. Por ejemplo, al emplear conexiones de fibra óptica, es posible transmitir una señal en definición estándar a un dispositivo situado a 45 kilómetros del conversor, mientras que un cable de cobre no permite superar los 90 metros. Por su parte, la tecnología SDI 12G brinda la posibilidad de alcanzar una distancia de 6 kilómetros.



## Conectores

- 1 OPTICAL OUT**  
Salida para cables de fibra óptica monomodo con conector LC.
- 2 OPTICAL IN**  
Entrada para cables de fibra óptica monomodo con conector LC.
- 3 SDI OUT**  
Salida SDI con conector BNC para equipos convencionales.
- 4 SDI IN**  
Entrada SDI con conector BNC para equipos convencionales.
- 5 POWER +6 TO 36V**  
Entrada para fuente de alimentación de 6-36 voltios. El tornillo de sujeción permite evitar que el cable se desconecte accidentalmente.

## Diagrama de bloques

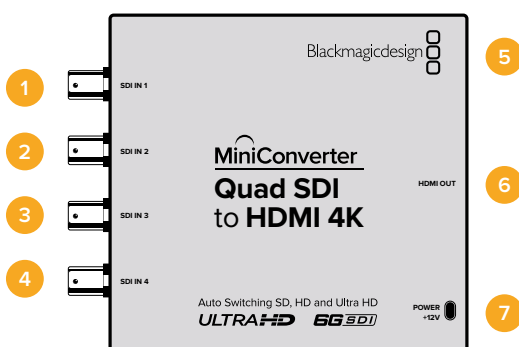


## Mini Converter Quad SDI to HDMI 4K

Este modelo permite conectar equipos con uno, dos o cuatro enlaces SDI a los más modernos proyectores y televisores UHD mediante un solo cable HDMI. Asimismo, brinda la posibilidad de procesar los siguientes tipos de señales:

- SDI SD
- SDI HD
- SDI 3G mediante un enlace
- SDI 6G mediante un enlace
- SDI HD mediante dos enlaces
- UHD mediante dos enlaces SDI 3G
- UHD mediante cuatro enlaces SDI HD

Si el dispositivo detecta un monitor HD o HDTV conectado a la salida HDMI, la definición de la señal saliente se disminuye automáticamente. Utilice las entradas 1 y 2 solo para señales transmitidas mediante dos enlaces.



## Conexiones

Los formatos compatibles se detallan a continuación de cada entrada:

- 1 SDI IN 1**
  - SDI SD/HD
  - SDI 3G mediante un enlace
  - SDI 6G mediante un enlace
  - SDI HD mediante dos enlaces (canal A)
  - UHD mediante dos enlaces SDI 3G (canal A)
  - UHD mediante cuatro enlaces SDI HD (canal A)
- 2 SDI IN 2**
  - SDI HD mediante dos enlaces (canal B)
  - UHD mediante dos enlaces SDI 3G (canal B)
  - UHD mediante cuatro enlaces SDI HD (canal B)
- 3 SDI IN 3**
  - UHD mediante cuatro enlaces SDI HD (canal C)
- 4 SDI IN 4**
  - UHD mediante cuatro enlaces SDI HD (canal D)

## 5 Puerto mini-USB tipo B

Permite conectar el dispositivo a un equipo informático Mac OS X o Windows para utilizar el programa Blackmagic Converters Setup. También sirve para actualizar el software interno del conector.

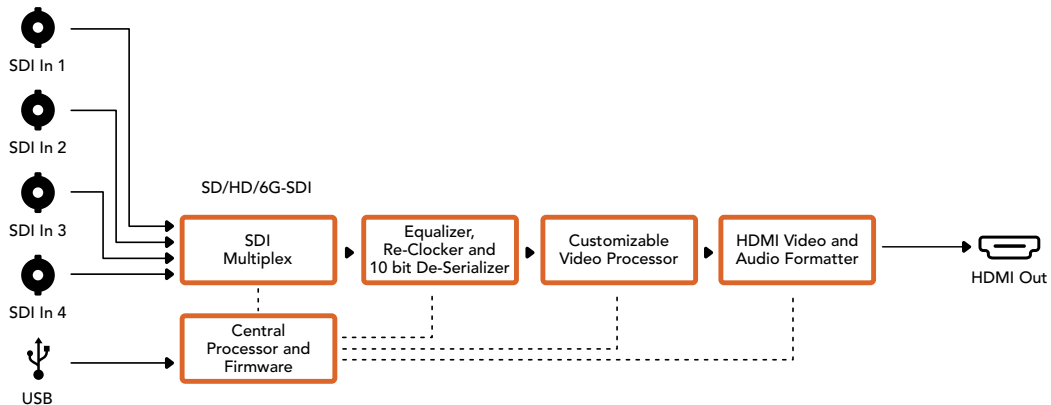
## 6 HDMI

Salida HDMI tipo A.

## 7 POWER +12V

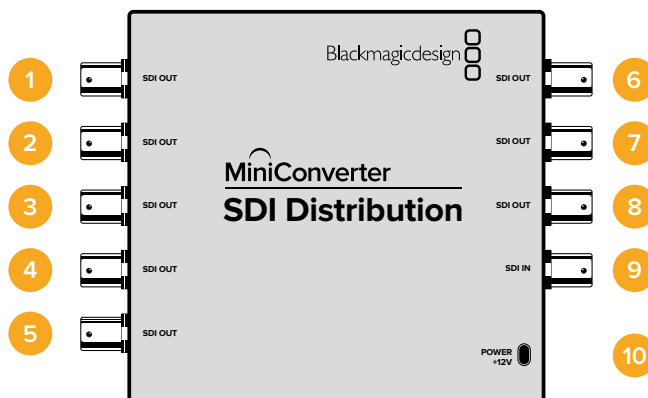
Entrada para fuente de alimentación de 12 voltios.

### Diagrama de bloques



## Mini Converter SDI Distribution

Este modelo permite transmitir una señal SDI a ocho dispositivos simultáneamente. Las salidas cuentan con una función de resincronización que detecta automáticamente el tipo de señal recibida, a modo de proporcionar compatibilidad con formatos ASI, datos auxiliares y canales de audio integrados.



## Conexiones

### 1-8 SDI OUT

Salida SDI con conector BNC.

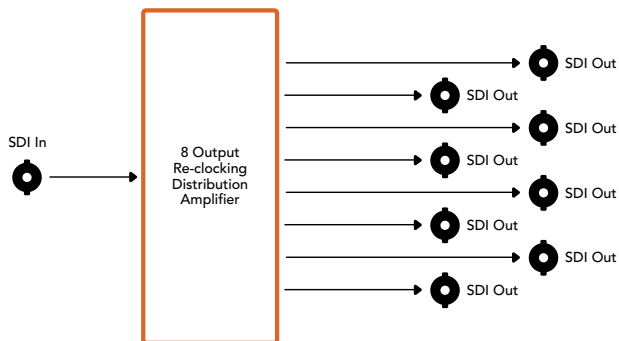
### 9 SDI IN

Entrada SDI.

### 10 POWER +12V

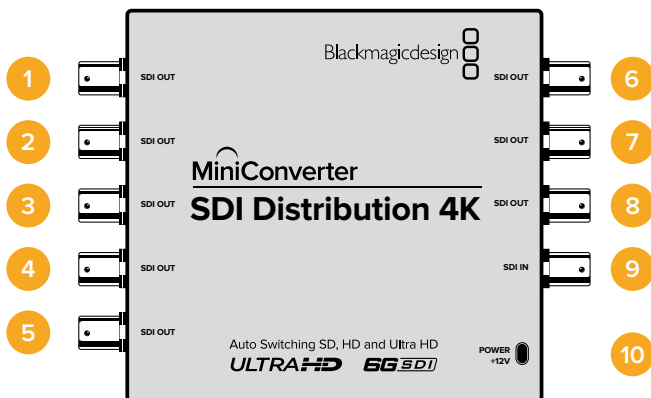
Entrada para fuente de alimentación de 12 voltios.

## Diagrama de bloques



## Mini Converter SDI Distribution 4K

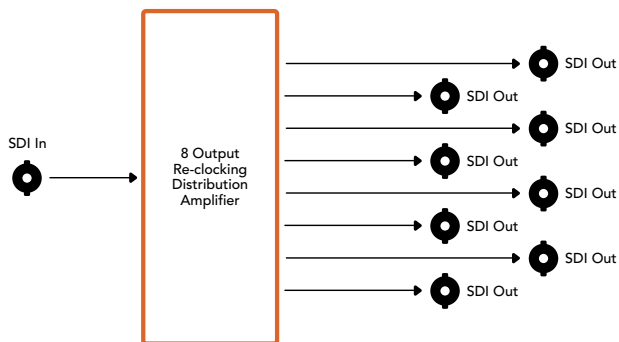
Este modelo permite transmitir una señal SDI a ocho dispositivos simultáneamente. Las salidas cuentan con una función de resincronización que detecta automáticamente el tipo de señal recibida, a modo de proporcionar compatibilidad con formatos ASI, datos auxiliares y canales de audio integrados.



## Conexiones

- 1-8 SDI OUT**  
Salida SDI con conector BNC.
- 9 SDI IN**  
Entrada SDI.
- 10 POWER +12V**  
Entrada para fuente de alimentación de 12 voltios.

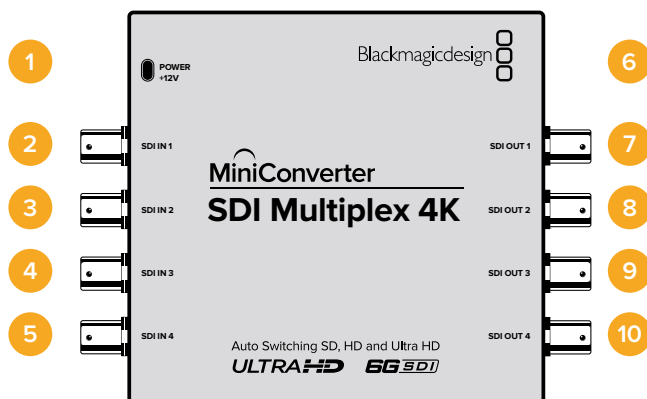
## Diagrama de bloques



## Mini Converter SDI Multiplex 4K

Este dispositivo permite realizar las siguientes funciones:

- Distribuir señales SDI SD/HD/6G mediante las cuatro salidas.
- Distribuir señales SDI HD recibidas mediante dos enlaces, a través de las cuatro salidas SDI 3G.
- Procesar una señal SDI 3G recibida a través de un enlace para transmitirla a través de dos enlaces SDI HD. A tal fin, se utilizan ambos pares de salidas.
- Procesar una señal SDI 6G recibida a través de un enlace para transmitirla mediante dos enlaces SDI 3G o cuatro enlaces SDI 1.5G.
- Procesar una señal UHD recibida a través de cuatro enlaces SDI HD para transmitirla mediante un enlace SDI 6G o dos enlaces SDI 3G y, de este modo, poder utilizar equipos con diferentes conexiones. A tal fin, se utilizan ambos pares de salidas.
- Procesar una señal SDI 3G recibida a través de dos enlaces para transmitirla a través de un enlace SDI 6G.
- Procesar una señal UHD recibida a través de dos enlaces SDI 3G para transmitirla mediante cuatro enlaces SDI HD, a fin de utilizar equipos con diferentes conexiones.



### Conexiones

#### 1 POWER +12V

- Entrada para fuente de alimentación de 12 voltios.
- Los formatos compatibles se detallan a continuación de cada entrada:

#### 2 SDI IN 1

- SDI SD/HD
- SDI 3G mediante un enlace
- SDI 6G mediante un enlace
- SDI HD mediante dos enlaces (canal A)
- UHD mediante dos enlaces SDI 3G (canal A)
- UHD mediante cuatro enlaces SDI HD (canal A)

#### 3 SDI IN 2

- SDI HD mediante dos enlaces (canal B)
- UHD mediante dos enlaces SDI 3G (canal B)
- UHD mediante cuatro enlaces SDI HD (canal B)

#### 4 SDI IN 3

- UHD mediante cuatro enlaces SDI HD (canal C)

## 5 SDI IN 4

- UHD mediante cuatro enlaces SDI HD (canal D)

## 6 Puerto mini-USB tipo B

Permite conectar el dispositivo a un equipo informático Mac OS X o Windows para utilizar el programa Blackmagic Converters Setup. También sirve para actualizar el software interno del conector.

Los formatos compatibles se detallan a continuación de cada entrada:

## 7 SDI OUT 1

- SDI SD/HD
- SDI 3G mediante un enlace
- SDI 6G mediante un enlace
- SDI HD mediante dos enlaces (canal A)
- UHD mediante dos enlaces SDI 3G (canal A)
- UHD mediante cuatro enlaces SDI HD (canal A)

## 8 SDI OUT 2

- SDI SD/HD
- SDI 3G mediante un enlace
- SDI 6G mediante un enlace
- SDI HD mediante dos enlaces (canal B)
- UHD mediante dos enlaces SDI 3G (canal B)
- UHD mediante cuatro enlaces SDI HD (canal B)

## 9 SDI OUT 3

- SDI SD/HD
- SDI 3G mediante un enlace
- SDI 6G mediante un enlace
- SDI HD mediante dos enlaces (canal A)
- UHD mediante dos enlaces SDI 3G (canal A)
- UHD mediante cuatro enlaces SDI HD (canal C)

## 10 SDI OUT 4

- SDI SD/HD
- SDI 3G mediante un enlace
- SDI 6G mediante un enlace
- SDI HD mediante dos enlaces (canal B)
- UHD mediante dos enlaces SDI 3G (canal B)
- UHD mediante cuatro enlaces SDI HD (canal D)

## Interruptores

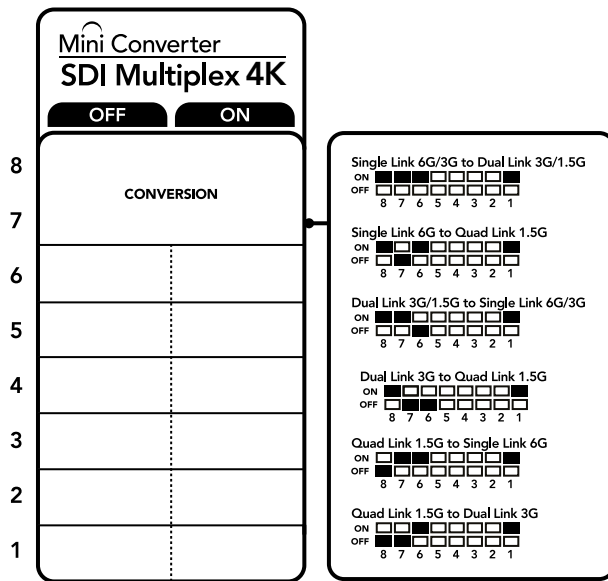
Los interruptores de este modelo brindan las siguientes opciones:

### Interruptores 8, 7 y 6 - Conversión de formatos

Al combinar las posiciones de estos interruptores de distinta manera es posible realizar varios tipos de conversiones.

### Interruptor 1 - Procesamiento activado/desactivado

Al colocar este interruptor en la posición **OFF**, el dispositivo permite amplificar y distribuir señales SDI a través de las cuatro salidas.



El diagrama situado en la base del convertidor proporciona toda la información necesaria para modificar su configuración.

### Ejemplo de configuración mediante los interruptores

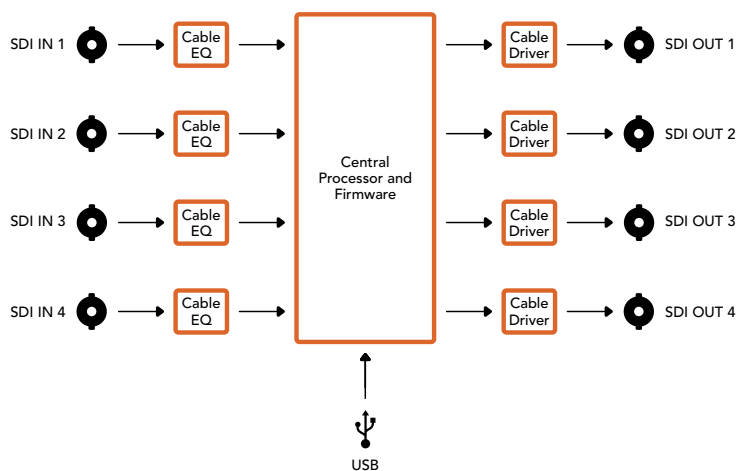
Intente procesar una señal UHD recibida mediante cuatro enlaces y transmitirla mediante dos enlaces colocando el interruptor 8 en la posición **ON** y el interruptor 7 en la posición **OFF**.

### Tabla de conexiones SDI

Conversión	Interruptor 8	Interruptor 7	Interruptor 6	Interruptor 1	Diagrama
SDI 6G/3G (un enlace) a SDI 3G/1.5G (dos enlaces)	ON	ON	ON	ON	ON <input checked="" type="checkbox"/> <input checked="" type="checkbox"/> <input checked="" type="checkbox"/> <input checked="" type="checkbox"/> <input checked="" type="checkbox"/> <input checked="" type="checkbox"/> <input checked="" type="checkbox"/> <input checked="" type="checkbox"/> OFF <input type="checkbox"/> <input type="checkbox"/> <input type="checkbox"/> <input type="checkbox"/> <input type="checkbox"/> <input type="checkbox"/> <input type="checkbox"/> <input type="checkbox"/> 8 7 6 5 4 3 2 1
SDI 6G (un enlace) a SDI 1.5G (cuatro enlaces)	ON	OFF	ON	ON	ON <input checked="" type="checkbox"/> <input checked="" type="checkbox"/> <input checked="" type="checkbox"/> <input checked="" type="checkbox"/> <input checked="" type="checkbox"/> <input checked="" type="checkbox"/> <input checked="" type="checkbox"/> <input checked="" type="checkbox"/> OFF <input type="checkbox"/> <input type="checkbox"/> <input type="checkbox"/> <input type="checkbox"/> <input type="checkbox"/> <input type="checkbox"/> <input type="checkbox"/> <input type="checkbox"/> 8 7 6 5 4 3 2 1
SDI 3G/1.5G (dos enlaces) a SDI 6G/3G (un enlace)	ON	ON	OFF	ON	ON <input checked="" type="checkbox"/> <input checked="" type="checkbox"/> <input checked="" type="checkbox"/> <input checked="" type="checkbox"/> <input checked="" type="checkbox"/> <input checked="" type="checkbox"/> <input checked="" type="checkbox"/> <input checked="" type="checkbox"/> OFF <input type="checkbox"/> <input type="checkbox"/> <input type="checkbox"/> <input type="checkbox"/> <input type="checkbox"/> <input type="checkbox"/> <input type="checkbox"/> <input type="checkbox"/> 8 7 6 5 4 3 2 1
SDI 3G (dos enlaces) a SDI 1.5G (cuatro enlaces)	ON	OFF	OFF	ON	ON <input type="checkbox"/> <input type="checkbox"/> <input type="checkbox"/> <input type="checkbox"/> <input type="checkbox"/> <input type="checkbox"/> <input type="checkbox"/> <input checked="" type="checkbox"/> OFF <input checked="" type="checkbox"/> <input checked="" type="checkbox"/> <input checked="" type="checkbox"/> <input checked="" type="checkbox"/> <input checked="" type="checkbox"/> <input checked="" type="checkbox"/> <input checked="" type="checkbox"/> <input type="checkbox"/> 8 7 6 5 4 3 2 1
SDI 1.5G (cuatro enlaces) a SDI 6G (un enlace)	OFF	ON	ON	ON	ON <input checked="" type="checkbox"/> <input checked="" type="checkbox"/> <input checked="" type="checkbox"/> <input checked="" type="checkbox"/> <input checked="" type="checkbox"/> <input checked="" type="checkbox"/> <input checked="" type="checkbox"/> <input checked="" type="checkbox"/> OFF <input type="checkbox"/> <input type="checkbox"/> <input type="checkbox"/> <input type="checkbox"/> <input type="checkbox"/> <input type="checkbox"/> <input type="checkbox"/> <input type="checkbox"/> 8 7 6 5 4 3 2 1
SDI 1.5G (cuatro enlaces) a SDI 3G (dos enlaces)	OFF	OFF	ON	ON	ON <input type="checkbox"/> <input type="checkbox"/> <input type="checkbox"/> <input type="checkbox"/> <input type="checkbox"/> <input type="checkbox"/> <input type="checkbox"/> <input checked="" type="checkbox"/> OFF <input checked="" type="checkbox"/> <input checked="" type="checkbox"/> <input checked="" type="checkbox"/> <input checked="" type="checkbox"/> <input checked="" type="checkbox"/> <input checked="" type="checkbox"/> <input checked="" type="checkbox"/> <input type="checkbox"/> 8 7 6 5 4 3 2 1

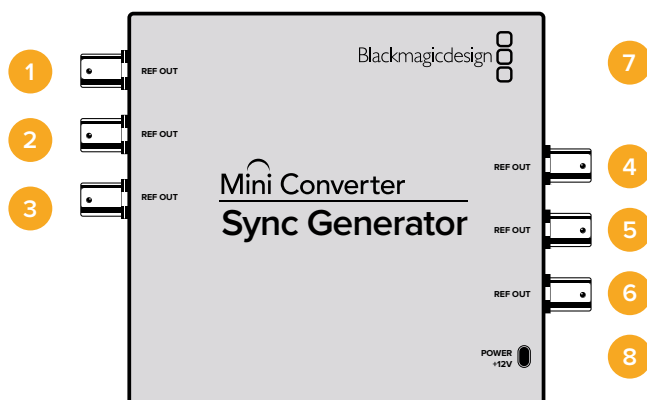


## Diagrama de bloques



## Mini Converter Sync Generator

Este modelo incluye seis salidas con estabilización mediante un oscilador de cristal para sincronizar diferentes equipos. Brinda la posibilidad de generar señales Black Burst o Tri-Sync en alta definición y es ideal para estudios pequeños o transmisiones desde exteriores.



## Conexiones

### 1-6 REF OUT

Salida para señales de referencia con conector BNC.

### 7 Puerto mini-USB tipo B

Permite conectar el dispositivo a un equipo informático Mac OS X o Windows para utilizar el programa Blackmagic Converters Setup. También sirve para actualizar el software interno del conector.

### 8 POWER +12V

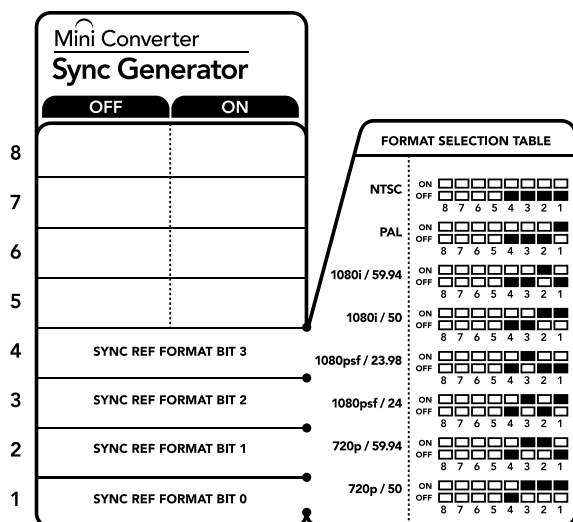
Entrada para fuente de alimentación de 12 voltios.

## Interruptores

Los interruptores de este modelo brindan las siguientes opciones:

### Interruptores 4, 3, 2 y 1 – Formato de sincronismos bit 3, 2, 1 y 0


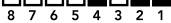



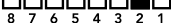

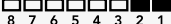






Al combinar los interruptores 4, 3, 2 y 1, es posible seleccionar distintos formatos.



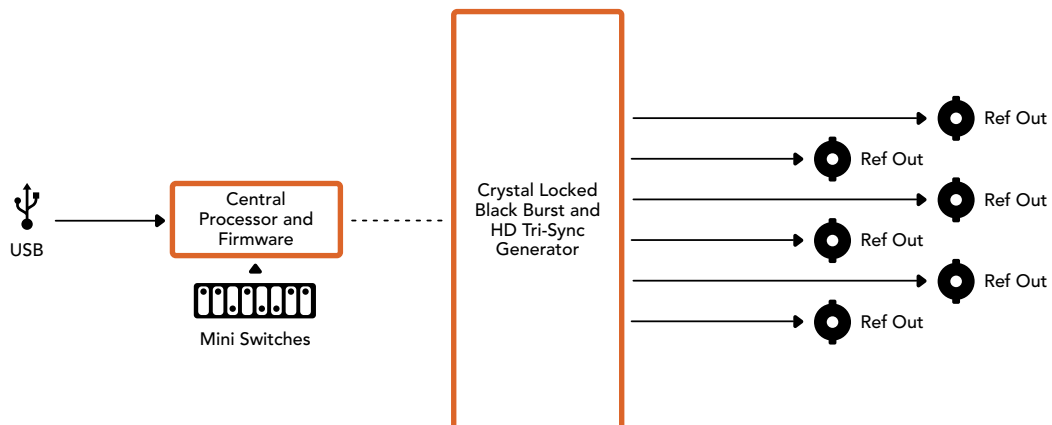
El diagrama situado en la base del convertidor proporciona toda la información necesaria para modificar su configuración.

### Selección de formatos

Formato	Interruptor 4	Interruptor 3	Interruptor 2	Interruptor 1	Diagrama
NTSC	OFF	OFF	OFF	OFF	ON OFF <input type="checkbox"/> <input type="checkbox"/> <input type="checkbox"/> <input type="checkbox"/> <input type="checkbox"/> <input type="checkbox"/> <input type="checkbox"/> <input type="checkbox"/> <input type="checkbox"/> 8 7 6 5 4 3 2 1
PAL	OFF	OFF	OFF	ON	ON OFF <input type="checkbox"/> <input type="checkbox"/> <input type="checkbox"/> <input type="checkbox"/> <input type="checkbox"/> <input type="checkbox"/> <input type="checkbox"/> <input type="checkbox"/> <input checked="" type="checkbox"/> 8 7 6 5 4 3 2 1
720p50	OFF	ON	ON	ON	ON OFF <input type="checkbox"/> <input type="checkbox"/> <input type="checkbox"/> <input type="checkbox"/> <input checked="" type="checkbox"/> <input checked="" type="checkbox"/> <input checked="" type="checkbox"/> <input checked="" type="checkbox"/> 8 7 6 5 4 3 2 1
720p59.94	OFF	ON	ON	OFF	ON OFF <input type="checkbox"/> <input type="checkbox"/> <input type="checkbox"/> <input type="checkbox"/> <input checked="" type="checkbox"/> <input checked="" type="checkbox"/> <input checked="" type="checkbox"/> <input checked="" type="checkbox"/> 8 7 6 5 4 3 2 1
720p60	ON	ON	ON	OFF	ON OFF <input checked="" type="checkbox"/> <input type="checkbox"/> <input type="checkbox"/> <input type="checkbox"/> <input checked="" type="checkbox"/> <input checked="" type="checkbox"/> <input checked="" type="checkbox"/> <input checked="" type="checkbox"/> 8 7 6 5 4 3 2 1
1080i50	OFF	OFF	ON	ON	ON OFF <input type="checkbox"/> <input type="checkbox"/> <input type="checkbox"/> <input type="checkbox"/> <input checked="" type="checkbox"/> <input checked="" type="checkbox"/> <input checked="" type="checkbox"/> <input checked="" type="checkbox"/> 8 7 6 5 4 3 2 1
1080i59.94	OFF	OFF	ON	OFF	ON OFF <input type="checkbox"/> <input type="checkbox"/> <input type="checkbox"/> <input type="checkbox"/> <input checked="" type="checkbox"/> <input checked="" type="checkbox"/> <input checked="" type="checkbox"/> <input checked="" type="checkbox"/> 8 7 6 5 4 3 2 1
1080i60	ON	OFF	OFF	OFF	ON OFF <input checked="" type="checkbox"/> <input type="checkbox"/> <input type="checkbox"/> <input type="checkbox"/> <input type="checkbox"/> <input type="checkbox"/> <input type="checkbox"/> <input type="checkbox"/> <input type="checkbox"/> 8 7 6 5 4 3 2 1

Formato	Interruptor 4	Interruptor 3	Interruptor 2	Interruptor 1	Diagrama
1080PsF23.98	OFF	ON	OFF	OFF	ON  OFF  8 7 6 5 4 3 2 1
1080PsF24	OFF	ON	OFF	ON	ON  OFF  8 7 6 5 4 3 2 1
1080p23.98	ON	ON	OFF	ON	ON  OFF  8 7 6 5 4 3 2 1
1080p24	ON	ON	OFF	OFF	ON  OFF  8 7 6 5 4 3 2 1
1080p25	ON	OFF	ON	ON	ON  OFF  8 7 6 5 4 3 2 1
1080p29.97	ON	OFF	ON	OFF	ON  OFF  8 7 6 5 4 3 2 1
1080p30	ON	OFF	OFF	ON	ON  OFF  8 7 6 5 4 3 2 1

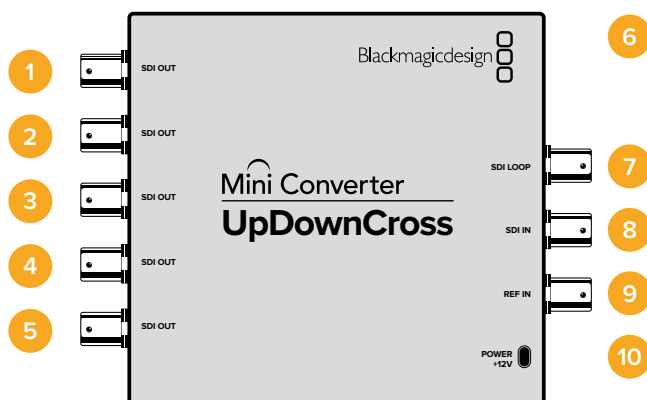
### Diagrama de bloques



## Mini Converter UpDownCross

Este modelo facilita la conversión de contenidos a formatos de distinta definición y el procesamiento de diferentes estándares. Por ejemplo, brinda la posibilidad de obtener material 1080i a partir de imágenes en resolución 720p y alternar entre la norma PAL o NTSC. Asimismo, permite modificar la relación de aspecto y ofrece diversas opciones en este sentido.

Cuando el procesamiento está desactivado, el dispositivo funciona como un amplificador para la distribución de señales SDI.



## Conexiones

### 1-5 SDI OUT

Salida SDI con conector BNC.

### 6 Puerto mini-USB tipo B

Permite conectar el dispositivo a un equipo informático Mac OS X o Windows para utilizar el programa Blackmagic Converters Setup. También sirve para actualizar el software interno del conector.

### 7 SDI LOOP

Salida directa.

### 8 SDI IN

Entrada SDI.

### 9 REF IN

Entrada para señales de referencia.

### 10 POWER +12V

Entrada para fuente de alimentación de 12 voltios.

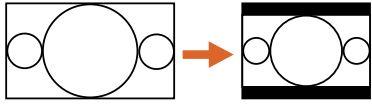
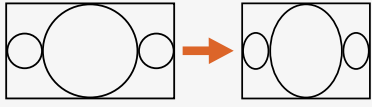
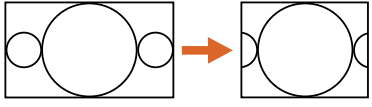
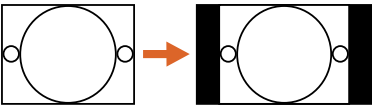
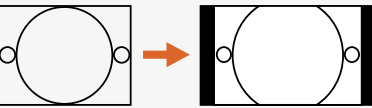
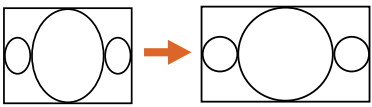
## Interruptores

Los interruptores de este modelo brindan las siguientes opciones:

### Interruptor 8 - Conversión de la relación de aspecto

Al modificar la posición de los interruptores 8 y 7, es posible cambiar la relación de aspecto al realizar una conversión a formatos de menor definición. Por ejemplo, se puede obtener una imagen en formato apaisado colocando dichos interruptores en la posición **OFF**.

Tabla de conversión para relaciones de aspecto

Conversión a formatos de menor definición		Interruptor 8	Interruptor 7	Diagrama																																																												
Formato apaisado	 <p>Imagen 16:9 → Relación 4:3</p>	OFF	OFF	<table border="1"> <tr> <td>ON</td> <td><input type="checkbox"/></td> <td><input type="checkbox"/></td> <td><input type="checkbox"/></td> <td><input type="checkbox"/></td> <td><input type="checkbox"/></td> <td><input type="checkbox"/></td> <td><input type="checkbox"/></td> <td><input type="checkbox"/></td> <td><input type="checkbox"/></td> <td><input type="checkbox"/></td> <td><input type="checkbox"/></td> <td><input type="checkbox"/></td> <td><input type="checkbox"/></td> <td><input type="checkbox"/></td> <td><input type="checkbox"/></td> <td><input type="checkbox"/></td> <td><input type="checkbox"/></td> <td><input type="checkbox"/></td> <td><input type="checkbox"/></td> </tr> <tr> <td>OFF</td> <td><input checked="" type="checkbox"/></td> <td><input checked="" type="checkbox"/></td> <td><input type="checkbox"/></td> <td><input type="checkbox"/></td> <td><input type="checkbox"/></td> <td><input type="checkbox"/></td> <td><input type="checkbox"/></td> <td><input type="checkbox"/></td> <td><input type="checkbox"/></td> <td><input type="checkbox"/></td> <td><input type="checkbox"/></td> <td><input type="checkbox"/></td> <td><input type="checkbox"/></td> <td><input type="checkbox"/></td> <td><input type="checkbox"/></td> <td><input type="checkbox"/></td> <td><input type="checkbox"/></td> <td><input type="checkbox"/></td> <td><input type="checkbox"/></td> </tr> <tr> <td></td> <td>8</td> <td>7</td> <td>6</td> <td>5</td> <td>4</td> <td>3</td> <td>2</td> <td>1</td> <td></td> <td></td> <td></td> <td></td> <td></td> <td></td> <td></td> <td></td> <td></td> <td></td> <td></td> </tr> </table>	ON	<input type="checkbox"/>	<input type="checkbox"/>	<input type="checkbox"/>	<input type="checkbox"/>	<input type="checkbox"/>	<input type="checkbox"/>	<input type="checkbox"/>	<input type="checkbox"/>	<input type="checkbox"/>	<input type="checkbox"/>	<input type="checkbox"/>	<input type="checkbox"/>	<input type="checkbox"/>	<input type="checkbox"/>	<input type="checkbox"/>	<input type="checkbox"/>	<input type="checkbox"/>	<input type="checkbox"/>	<input type="checkbox"/>	OFF	<input checked="" type="checkbox"/>	<input checked="" type="checkbox"/>	<input type="checkbox"/>	<input type="checkbox"/>	<input type="checkbox"/>	<input type="checkbox"/>	<input type="checkbox"/>	<input type="checkbox"/>	<input type="checkbox"/>	<input type="checkbox"/>	<input type="checkbox"/>	<input type="checkbox"/>	<input type="checkbox"/>	<input type="checkbox"/>	<input type="checkbox"/>	<input type="checkbox"/>	<input type="checkbox"/>	<input type="checkbox"/>	<input type="checkbox"/>		8	7	6	5	4	3	2	1											
ON	<input type="checkbox"/>	<input type="checkbox"/>	<input type="checkbox"/>	<input type="checkbox"/>	<input type="checkbox"/>	<input type="checkbox"/>	<input type="checkbox"/>	<input type="checkbox"/>	<input type="checkbox"/>	<input type="checkbox"/>	<input type="checkbox"/>	<input type="checkbox"/>	<input type="checkbox"/>	<input type="checkbox"/>	<input type="checkbox"/>	<input type="checkbox"/>	<input type="checkbox"/>	<input type="checkbox"/>	<input type="checkbox"/>																																													
OFF	<input checked="" type="checkbox"/>	<input checked="" type="checkbox"/>	<input type="checkbox"/>	<input type="checkbox"/>	<input type="checkbox"/>	<input type="checkbox"/>	<input type="checkbox"/>	<input type="checkbox"/>	<input type="checkbox"/>	<input type="checkbox"/>	<input type="checkbox"/>	<input type="checkbox"/>	<input type="checkbox"/>	<input type="checkbox"/>	<input type="checkbox"/>	<input type="checkbox"/>	<input type="checkbox"/>	<input type="checkbox"/>	<input type="checkbox"/>																																													
	8	7	6	5	4	3	2	1																																																								
Formato anamórfico	 <p>Imagen 16:9 → Relación 4:3</p>	OFF	ON	<table border="1"> <tr> <td>ON</td> <td><input checked="" type="checkbox"/></td> <td><input checked="" type="checkbox"/></td> <td><input type="checkbox"/></td> <td><input type="checkbox"/></td> <td><input type="checkbox"/></td> <td><input type="checkbox"/></td> <td><input type="checkbox"/></td> <td><input type="checkbox"/></td> <td><input type="checkbox"/></td> <td><input type="checkbox"/></td> <td><input type="checkbox"/></td> <td><input type="checkbox"/></td> <td><input type="checkbox"/></td> <td><input type="checkbox"/></td> <td><input type="checkbox"/></td> <td><input type="checkbox"/></td> <td><input type="checkbox"/></td> <td><input type="checkbox"/></td> <td><input type="checkbox"/></td> </tr> <tr> <td>OFF</td> <td><input checked="" type="checkbox"/></td> <td><input checked="" type="checkbox"/></td> <td><input type="checkbox"/></td> <td><input type="checkbox"/></td> <td><input type="checkbox"/></td> <td><input type="checkbox"/></td> <td><input type="checkbox"/></td> <td><input type="checkbox"/></td> <td><input type="checkbox"/></td> <td><input type="checkbox"/></td> <td><input type="checkbox"/></td> <td><input type="checkbox"/></td> <td><input type="checkbox"/></td> <td><input type="checkbox"/></td> <td><input type="checkbox"/></td> <td><input type="checkbox"/></td> <td><input type="checkbox"/></td> <td><input type="checkbox"/></td> <td><input type="checkbox"/></td> </tr> <tr> <td></td> <td>8</td> <td>7</td> <td>6</td> <td>5</td> <td>4</td> <td>3</td> <td>2</td> <td>1</td> <td></td> <td></td> <td></td> <td></td> <td></td> <td></td> <td></td> <td></td> <td></td> <td></td> <td></td> </tr> </table>	ON	<input checked="" type="checkbox"/>	<input checked="" type="checkbox"/>	<input type="checkbox"/>	<input type="checkbox"/>	<input type="checkbox"/>	<input type="checkbox"/>	<input type="checkbox"/>	<input type="checkbox"/>	<input type="checkbox"/>	<input type="checkbox"/>	<input type="checkbox"/>	<input type="checkbox"/>	<input type="checkbox"/>	<input type="checkbox"/>	<input type="checkbox"/>	<input type="checkbox"/>	<input type="checkbox"/>	<input type="checkbox"/>	<input type="checkbox"/>	OFF	<input checked="" type="checkbox"/>	<input checked="" type="checkbox"/>	<input type="checkbox"/>	<input type="checkbox"/>	<input type="checkbox"/>	<input type="checkbox"/>	<input type="checkbox"/>	<input type="checkbox"/>	<input type="checkbox"/>	<input type="checkbox"/>	<input type="checkbox"/>	<input type="checkbox"/>	<input type="checkbox"/>	<input type="checkbox"/>	<input type="checkbox"/>	<input type="checkbox"/>	<input type="checkbox"/>	<input type="checkbox"/>	<input type="checkbox"/>		8	7	6	5	4	3	2	1											
ON	<input checked="" type="checkbox"/>	<input checked="" type="checkbox"/>	<input type="checkbox"/>	<input type="checkbox"/>	<input type="checkbox"/>	<input type="checkbox"/>	<input type="checkbox"/>	<input type="checkbox"/>	<input type="checkbox"/>	<input type="checkbox"/>	<input type="checkbox"/>	<input type="checkbox"/>	<input type="checkbox"/>	<input type="checkbox"/>	<input type="checkbox"/>	<input type="checkbox"/>	<input type="checkbox"/>	<input type="checkbox"/>	<input type="checkbox"/>																																													
OFF	<input checked="" type="checkbox"/>	<input checked="" type="checkbox"/>	<input type="checkbox"/>	<input type="checkbox"/>	<input type="checkbox"/>	<input type="checkbox"/>	<input type="checkbox"/>	<input type="checkbox"/>	<input type="checkbox"/>	<input type="checkbox"/>	<input type="checkbox"/>	<input type="checkbox"/>	<input type="checkbox"/>	<input type="checkbox"/>	<input type="checkbox"/>	<input type="checkbox"/>	<input type="checkbox"/>	<input type="checkbox"/>	<input type="checkbox"/>																																													
	8	7	6	5	4	3	2	1																																																								
Formato centrado	 <p>Imagen 16:9 → Relación 4:3</p>	ON	ON	<table border="1"> <tr> <td>ON</td> <td><input checked="" type="checkbox"/></td> <td><input checked="" type="checkbox"/></td> <td><input type="checkbox"/></td> <td><input type="checkbox"/></td> <td><input type="checkbox"/></td> <td><input type="checkbox"/></td> <td><input type="checkbox"/></td> <td><input type="checkbox"/></td> <td><input type="checkbox"/></td> <td><input type="checkbox"/></td> <td><input type="checkbox"/></td> <td><input type="checkbox"/></td> <td><input type="checkbox"/></td> <td><input type="checkbox"/></td> <td><input type="checkbox"/></td> <td><input type="checkbox"/></td> <td><input type="checkbox"/></td> <td><input type="checkbox"/></td> <td><input type="checkbox"/></td> </tr> <tr> <td>OFF</td> <td><input type="checkbox"/></td> <td><input type="checkbox"/></td> <td><input type="checkbox"/></td> <td><input type="checkbox"/></td> <td><input type="checkbox"/></td> <td><input type="checkbox"/></td> <td><input type="checkbox"/></td> <td><input type="checkbox"/></td> <td><input type="checkbox"/></td> <td><input type="checkbox"/></td> <td><input type="checkbox"/></td> <td><input type="checkbox"/></td> <td><input type="checkbox"/></td> <td><input type="checkbox"/></td> <td><input type="checkbox"/></td> <td><input type="checkbox"/></td> <td><input type="checkbox"/></td> <td><input type="checkbox"/></td> <td><input type="checkbox"/></td> </tr> <tr> <td></td> <td>8</td> <td>7</td> <td>6</td> <td>5</td> <td>4</td> <td>3</td> <td>2</td> <td>1</td> <td></td> <td></td> <td></td> <td></td> <td></td> <td></td> <td></td> <td></td> <td></td> <td></td> <td></td> </tr> </table>	ON	<input checked="" type="checkbox"/>	<input checked="" type="checkbox"/>	<input type="checkbox"/>	<input type="checkbox"/>	<input type="checkbox"/>	<input type="checkbox"/>	<input type="checkbox"/>	<input type="checkbox"/>	<input type="checkbox"/>	<input type="checkbox"/>	<input type="checkbox"/>	<input type="checkbox"/>	<input type="checkbox"/>	<input type="checkbox"/>	<input type="checkbox"/>	<input type="checkbox"/>	<input type="checkbox"/>	<input type="checkbox"/>	<input type="checkbox"/>	OFF	<input type="checkbox"/>	<input type="checkbox"/>	<input type="checkbox"/>	<input type="checkbox"/>	<input type="checkbox"/>	<input type="checkbox"/>	<input type="checkbox"/>	<input type="checkbox"/>	<input type="checkbox"/>	<input type="checkbox"/>	<input type="checkbox"/>	<input type="checkbox"/>	<input type="checkbox"/>	<input type="checkbox"/>	<input type="checkbox"/>	<input type="checkbox"/>	<input type="checkbox"/>	<input type="checkbox"/>	<input type="checkbox"/>		8	7	6	5	4	3	2	1											
ON	<input checked="" type="checkbox"/>	<input checked="" type="checkbox"/>	<input type="checkbox"/>	<input type="checkbox"/>	<input type="checkbox"/>	<input type="checkbox"/>	<input type="checkbox"/>	<input type="checkbox"/>	<input type="checkbox"/>	<input type="checkbox"/>	<input type="checkbox"/>	<input type="checkbox"/>	<input type="checkbox"/>	<input type="checkbox"/>	<input type="checkbox"/>	<input type="checkbox"/>	<input type="checkbox"/>	<input type="checkbox"/>	<input type="checkbox"/>																																													
OFF	<input type="checkbox"/>	<input type="checkbox"/>	<input type="checkbox"/>	<input type="checkbox"/>	<input type="checkbox"/>	<input type="checkbox"/>	<input type="checkbox"/>	<input type="checkbox"/>	<input type="checkbox"/>	<input type="checkbox"/>	<input type="checkbox"/>	<input type="checkbox"/>	<input type="checkbox"/>	<input type="checkbox"/>	<input type="checkbox"/>	<input type="checkbox"/>	<input type="checkbox"/>	<input type="checkbox"/>	<input type="checkbox"/>																																													
	8	7	6	5	4	3	2	1																																																								
Conversión a formatos de mayor definición		Interruptor 8	Interruptor 7	Diagrama																																																												
4:3 Estándar	 <p>Imagen 4:3 → Relación 16:9</p>	OFF	OFF	<table border="1"> <tr> <td>ON</td> <td><input type="checkbox"/></td> <td><input type="checkbox"/></td> <td><input type="checkbox"/></td> <td><input type="checkbox"/></td> <td><input type="checkbox"/></td> <td><input type="checkbox"/></td> <td><input type="checkbox"/></td> <td><input type="checkbox"/></td> <td><input type="checkbox"/></td> <td><input type="checkbox"/></td> <td><input type="checkbox"/></td> <td><input type="checkbox"/></td> <td><input type="checkbox"/></td> <td><input type="checkbox"/></td> <td><input type="checkbox"/></td> <td><input type="checkbox"/></td> <td><input type="checkbox"/></td> <td><input type="checkbox"/></td> <td><input type="checkbox"/></td> </tr> <tr> <td>OFF</td> <td><input checked="" type="checkbox"/></td> <td><input checked="" type="checkbox"/></td> <td><input type="checkbox"/></td> <td><input type="checkbox"/></td> <td><input type="checkbox"/></td> <td><input type="checkbox"/></td> <td><input type="checkbox"/></td> <td><input type="checkbox"/></td> <td><input type="checkbox"/></td> <td><input type="checkbox"/></td> <td><input type="checkbox"/></td> <td><input type="checkbox"/></td> <td><input type="checkbox"/></td> <td><input type="checkbox"/></td> <td><input type="checkbox"/></td> <td><input type="checkbox"/></td> <td><input type="checkbox"/></td> <td><input type="checkbox"/></td> <td><input type="checkbox"/></td> </tr> <tr> <td></td> <td>8</td> <td>7</td> <td>6</td> <td>5</td> <td>4</td> <td>3</td> <td>2</td> <td>1</td> <td></td> <td></td> <td></td> <td></td> <td></td> <td></td> <td></td> <td></td> <td></td> <td></td> <td></td> </tr> </table>	ON	<input type="checkbox"/>	<input type="checkbox"/>	<input type="checkbox"/>	<input type="checkbox"/>	<input type="checkbox"/>	<input type="checkbox"/>	<input type="checkbox"/>	<input type="checkbox"/>	<input type="checkbox"/>	<input type="checkbox"/>	<input type="checkbox"/>	<input type="checkbox"/>	<input type="checkbox"/>	<input type="checkbox"/>	<input type="checkbox"/>	<input type="checkbox"/>	<input type="checkbox"/>	<input type="checkbox"/>	<input type="checkbox"/>	OFF	<input checked="" type="checkbox"/>	<input checked="" type="checkbox"/>	<input type="checkbox"/>	<input type="checkbox"/>	<input type="checkbox"/>	<input type="checkbox"/>	<input type="checkbox"/>	<input type="checkbox"/>	<input type="checkbox"/>	<input type="checkbox"/>	<input type="checkbox"/>	<input type="checkbox"/>	<input type="checkbox"/>	<input type="checkbox"/>	<input type="checkbox"/>	<input type="checkbox"/>	<input type="checkbox"/>	<input type="checkbox"/>	<input type="checkbox"/>		8	7	6	5	4	3	2	1											
ON	<input type="checkbox"/>	<input type="checkbox"/>	<input type="checkbox"/>	<input type="checkbox"/>	<input type="checkbox"/>	<input type="checkbox"/>	<input type="checkbox"/>	<input type="checkbox"/>	<input type="checkbox"/>	<input type="checkbox"/>	<input type="checkbox"/>	<input type="checkbox"/>	<input type="checkbox"/>	<input type="checkbox"/>	<input type="checkbox"/>	<input type="checkbox"/>	<input type="checkbox"/>	<input type="checkbox"/>	<input type="checkbox"/>																																													
OFF	<input checked="" type="checkbox"/>	<input checked="" type="checkbox"/>	<input type="checkbox"/>	<input type="checkbox"/>	<input type="checkbox"/>	<input type="checkbox"/>	<input type="checkbox"/>	<input type="checkbox"/>	<input type="checkbox"/>	<input type="checkbox"/>	<input type="checkbox"/>	<input type="checkbox"/>	<input type="checkbox"/>	<input type="checkbox"/>	<input type="checkbox"/>	<input type="checkbox"/>	<input type="checkbox"/>	<input type="checkbox"/>	<input type="checkbox"/>																																													
	8	7	6	5	4	3	2	1																																																								
14:9 Estándar	 <p>Imagen 4:3 → Relación 16:9</p>	OFF	ON	<table border="1"> <tr> <td>ON</td> <td><input checked="" type="checkbox"/></td> <td><input checked="" type="checkbox"/></td> <td><input type="checkbox"/></td> <td><input type="checkbox"/></td> <td><input type="checkbox"/></td> <td><input type="checkbox"/></td> <td><input type="checkbox"/></td> <td><input type="checkbox"/></td> <td><input type="checkbox"/></td> <td><input type="checkbox"/></td> <td><input type="checkbox"/></td> <td><input type="checkbox"/></td> <td><input type="checkbox"/></td> <td><input type="checkbox"/></td> <td><input type="checkbox"/></td> <td><input type="checkbox"/></td> <td><input type="checkbox"/></td> <td><input type="checkbox"/></td> <td><input type="checkbox"/></td> </tr> <tr> <td>OFF</td> <td><input checked="" type="checkbox"/></td> <td><input checked="" type="checkbox"/></td> <td><input type="checkbox"/></td> <td><input type="checkbox"/></td> <td><input type="checkbox"/></td> <td><input type="checkbox"/></td> <td><input type="checkbox"/></td> <td><input type="checkbox"/></td> <td><input type="checkbox"/></td> <td><input type="checkbox"/></td> <td><input type="checkbox"/></td> <td><input type="checkbox"/></td> <td><input type="checkbox"/></td> <td><input type="checkbox"/></td> <td><input type="checkbox"/></td> <td><input type="checkbox"/></td> <td><input type="checkbox"/></td> <td><input type="checkbox"/></td> <td><input type="checkbox"/></td> </tr> <tr> <td></td> <td>8</td> <td>7</td> <td>6</td> <td>5</td> <td>4</td> <td>3</td> <td>2</td> <td>1</td> <td></td> <td></td> <td></td> <td></td> <td></td> <td></td> <td></td> <td></td> <td></td> <td></td> <td></td> </tr> </table>	ON	<input checked="" type="checkbox"/>	<input checked="" type="checkbox"/>	<input type="checkbox"/>	<input type="checkbox"/>	<input type="checkbox"/>	<input type="checkbox"/>	<input type="checkbox"/>	<input type="checkbox"/>	<input type="checkbox"/>	<input type="checkbox"/>	<input type="checkbox"/>	<input type="checkbox"/>	<input type="checkbox"/>	<input type="checkbox"/>	<input type="checkbox"/>	<input type="checkbox"/>	<input type="checkbox"/>	<input type="checkbox"/>	<input type="checkbox"/>	OFF	<input checked="" type="checkbox"/>	<input checked="" type="checkbox"/>	<input type="checkbox"/>	<input type="checkbox"/>	<input type="checkbox"/>	<input type="checkbox"/>	<input type="checkbox"/>	<input type="checkbox"/>	<input type="checkbox"/>	<input type="checkbox"/>	<input type="checkbox"/>	<input type="checkbox"/>	<input type="checkbox"/>	<input type="checkbox"/>	<input type="checkbox"/>	<input type="checkbox"/>	<input type="checkbox"/>	<input type="checkbox"/>	<input type="checkbox"/>		8	7	6	5	4	3	2	1											
ON	<input checked="" type="checkbox"/>	<input checked="" type="checkbox"/>	<input type="checkbox"/>	<input type="checkbox"/>	<input type="checkbox"/>	<input type="checkbox"/>	<input type="checkbox"/>	<input type="checkbox"/>	<input type="checkbox"/>	<input type="checkbox"/>	<input type="checkbox"/>	<input type="checkbox"/>	<input type="checkbox"/>	<input type="checkbox"/>	<input type="checkbox"/>	<input type="checkbox"/>	<input type="checkbox"/>	<input type="checkbox"/>	<input type="checkbox"/>																																													
OFF	<input checked="" type="checkbox"/>	<input checked="" type="checkbox"/>	<input type="checkbox"/>	<input type="checkbox"/>	<input type="checkbox"/>	<input type="checkbox"/>	<input type="checkbox"/>	<input type="checkbox"/>	<input type="checkbox"/>	<input type="checkbox"/>	<input type="checkbox"/>	<input type="checkbox"/>	<input type="checkbox"/>	<input type="checkbox"/>	<input type="checkbox"/>	<input type="checkbox"/>	<input type="checkbox"/>	<input type="checkbox"/>	<input type="checkbox"/>																																													
	8	7	6	5	4	3	2	1																																																								
16:9 Expandido	 <p>Relación 4:3 → Imagen 16:9</p>	ON	ON	<table border="1"> <tr> <td>ON</td> <td><input checked="" type="checkbox"/></td> <td><input checked="" type="checkbox"/></td> <td><input type="checkbox"/></td> <td><input type="checkbox"/></td> <td><input type="checkbox"/></td> <td><input type="checkbox"/></td> <td><input type="checkbox"/></td> <td><input type="checkbox"/></td> <td><input type="checkbox"/></td> <td><input type="checkbox"/></td> <td><input type="checkbox"/></td> <td><input type="checkbox"/></td> <td><input type="checkbox"/></td> <td><input type="checkbox"/></td> <td><input type="checkbox"/></td> <td><input type="checkbox"/></td> <td><input type="checkbox"/></td> <td><input type="checkbox"/></td> <td><input type="checkbox"/></td> </tr> <tr> <td>OFF</td> <td><input type="checkbox"/></td> <td><input type="checkbox"/></td> <td><input type="checkbox"/></td> <td><input type="checkbox"/></td> <td><input type="checkbox"/></td> <td><input type="checkbox"/></td> <td><input type="checkbox"/></td> <td><input type="checkbox"/></td> <td><input type="checkbox"/></td> <td><input type="checkbox"/></td> <td><input type="checkbox"/></td> <td><input type="checkbox"/></td> <td><input type="checkbox"/></td> <td><input type="checkbox"/></td> <td><input type="checkbox"/></td> <td><input type="checkbox"/></td> <td><input type="checkbox"/></td> <td><input type="checkbox"/></td> <td><input type="checkbox"/></td> </tr> <tr> <td></td> <td>8</td> <td>7</td> <td>6</td> <td>5</td> <td>4</td> <td>3</td> <td>2</td> <td>1</td> <td></td> <td></td> <td></td> <td></td> <td></td> <td></td> <td></td> <td></td> <td></td> <td></td> <td></td> </tr> </table>	ON	<input checked="" type="checkbox"/>	<input checked="" type="checkbox"/>	<input type="checkbox"/>	<input type="checkbox"/>	<input type="checkbox"/>	<input type="checkbox"/>	<input type="checkbox"/>	<input type="checkbox"/>	<input type="checkbox"/>	<input type="checkbox"/>	<input type="checkbox"/>	<input type="checkbox"/>	<input type="checkbox"/>	<input type="checkbox"/>	<input type="checkbox"/>	<input type="checkbox"/>	<input type="checkbox"/>	<input type="checkbox"/>	<input type="checkbox"/>	OFF	<input type="checkbox"/>	<input type="checkbox"/>	<input type="checkbox"/>	<input type="checkbox"/>	<input type="checkbox"/>	<input type="checkbox"/>	<input type="checkbox"/>	<input type="checkbox"/>	<input type="checkbox"/>	<input type="checkbox"/>	<input type="checkbox"/>	<input type="checkbox"/>	<input type="checkbox"/>	<input type="checkbox"/>	<input type="checkbox"/>	<input type="checkbox"/>	<input type="checkbox"/>	<input type="checkbox"/>	<input type="checkbox"/>		8	7	6	5	4	3	2	1											
ON	<input checked="" type="checkbox"/>	<input checked="" type="checkbox"/>	<input type="checkbox"/>	<input type="checkbox"/>	<input type="checkbox"/>	<input type="checkbox"/>	<input type="checkbox"/>	<input type="checkbox"/>	<input type="checkbox"/>	<input type="checkbox"/>	<input type="checkbox"/>	<input type="checkbox"/>	<input type="checkbox"/>	<input type="checkbox"/>	<input type="checkbox"/>	<input type="checkbox"/>	<input type="checkbox"/>	<input type="checkbox"/>	<input type="checkbox"/>																																													
OFF	<input type="checkbox"/>	<input type="checkbox"/>	<input type="checkbox"/>	<input type="checkbox"/>	<input type="checkbox"/>	<input type="checkbox"/>	<input type="checkbox"/>	<input type="checkbox"/>	<input type="checkbox"/>	<input type="checkbox"/>	<input type="checkbox"/>	<input type="checkbox"/>	<input type="checkbox"/>	<input type="checkbox"/>	<input type="checkbox"/>	<input type="checkbox"/>	<input type="checkbox"/>	<input type="checkbox"/>	<input type="checkbox"/>																																													
	8	7	6	5	4	3	2	1																																																								

Nótese que ambos interruptores (8 y 7) se utilizan al realizar conversiones a formatos de distinta definición. Esto se debe a que la configuración final determina la relación de aspecto. Por ejemplo, si el dispositivo se ha configurado para obtener una señal en formato HD 1080i50 y el interruptor 1 se encuentra en **ON**, la posición de los interruptores 8 y 7 se modifica automáticamente a fin de reducir la definición de la imagen.

A continuación se describe cada tipo de conversión:

### Conversión a formatos de mayor definición

- **4:3 Estándar:** Muestra una señal SD en formato 4:3 dentro de un fotograma HD con una relación de 16:9. La imagen resultante contiene franjas negras en los costados.
- **14:9 Estándar:** Este es un valor intermedio entre los formatos 4:3 y 16:9. La imagen SD en formato 4:3 se expande levemente para abarcar una porción mayor del fotograma con una relación de 16:9 y se reducen las franjas negras laterales, aunque se pierden partes del contenido original en la zona superior e inferior.
- **16:9 Expandido:** Permite expandir una imagen SD en formato 4:3 anamórfico hasta cubrir el área de un fotograma con una relación de 16:9. No se pierden partes del material original.

### Conversión a formatos de menor definición

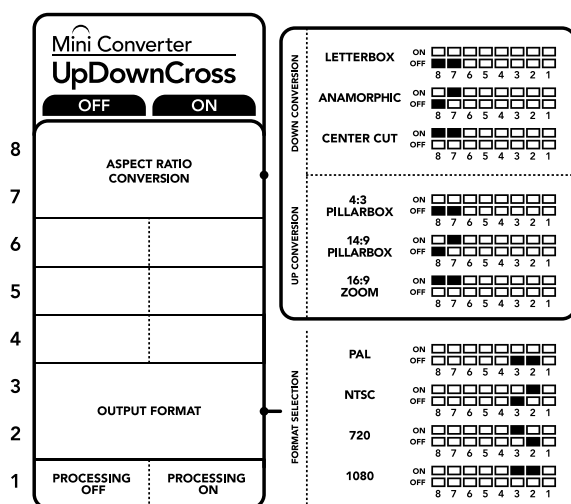
- **Apaisado:** Permite procesar la imagen HD y cambiar la relación de 16:9 a 4:3 sin comprimirla. El material resultante en definición estándar contiene franjas negras en la parte superior e inferior.
- **Anamórfico:** Comprime horizontalmente una imagen HD en formato 16:9 para obtener un fotograma en definición estándar con una relación de 4:3.
- **Centrado:** Permite cambiar la relación de aspecto de una señal HD para obtener una imagen en definición estándar con una relación de 4:3. Cabe destacar que se pierde una porción del material original en ambos laterales.

### Interruptor 1- Activar/desactivar procesamiento

Cuando el interruptor 1 se encuentra en la posición **OFF**, no se realiza ningún tipo de conversión y el dispositivo puede utilizarse para transmitir la señal a seis equipos SDI.

### Ejemplo de configuración mediante los interruptores

Configure el dispositivo para procesar una señal en formato 625i50 con una relación de 4:3 estándar, a fin de obtener imágenes en definición 1080i50. Para ello, coloque los interruptores 8 y 7 en la posición **OFF** y los interruptores 3, 2 y 1 en la posición **ON**.

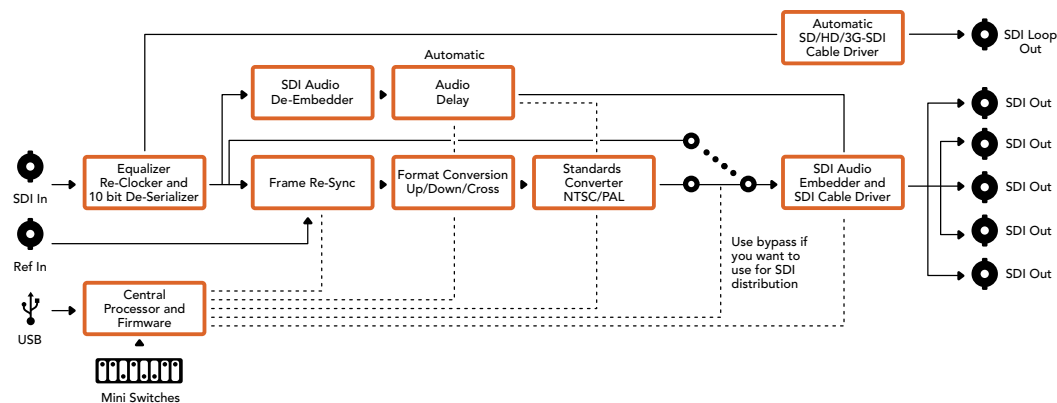


El diagrama situado en la base del convertor proporciona toda la información necesaria para modificar su configuración.

## Tabla de conversiones

Formato original	NTSC Interruptores 1 y 2 ON	PAL Interruptor 1 ON	720p Interruptores 1 y 3 ON	1080 Interruptores 1, 2 y 3 ON
525i59.94	525i59.94	625i50	720p59.94	1080i59.94
625i50	525i59.94	625i50	720p50	1080i50
720p50	525i59.94	625i50	720p50	1080i50
720p59.94	525i59.94	625i50	720p59.94	1080i59.94
720p60	525i59.94	625i50	720p60	1080i60
1080PsF23.98	525i59.94	625i50	720p59.94	1080PsF23.98
1080p23.98	525i59.94	625i50	720p59.94	1080p23.98
1080PsF24	525i59.94	625i50	720p50	1080PsF24
1080p24	525i59.94	625i50	720p50	1080p24
1080p25	525i59.94	625i50	720p50	1080p25
1080p29.97	525i59.94	625i50	720p59.94	1080p29.97
1080p30	525i59.94	625i50	720p60	1080p30
1080i50	525i59.94	625i50	720p50	1080i50
1080i59.94	525i59.94	625i50	720p59.94	1080i59.94
1080i60	525i59.94	625i50	720p60	1080i60
1080p50	525i59.94	625i50	720p50	1080p50
1080p59.94	525i59.94	625i50	720p59.94	1080p59.94
1080p60	525i59.94	625i50	720p60	1080p60
2048 x 1556PsF23.98	525i59.94	625i50	2048 x 1556PsF23.98	2048 x 1556PsF23.98
2048 x 1556PsF24	525i59.94	625i50	2048 x 1556PsF24	2048 x 1556PsF24
2048 x 1556PsF25	525i59.94	625i50	2048 x 1556PsF25	2048 x 1556PsF25

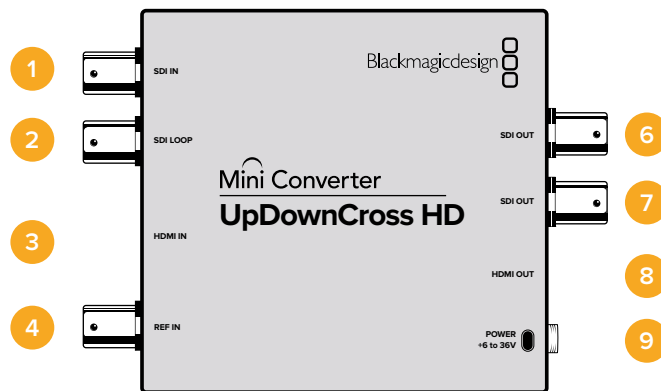
## Diagrama de bloques



## Mini Converter UpDownCross HD

Este modelo permite aumentar o disminuir la definición de señales SDI y HDMI. Es compatible con todos los formatos SD y HD, inclusive PAL y NTSC, hasta una resolución máxima de 1080p60, y ofrece además distintas opciones para la relación de aspecto. Cabe destacar que la entrada HDMI admite resoluciones de 1024 x 768, 800 x 600 y 640 x 480, generalmente utilizadas en equipos informáticos.

Al desactivar la función de conversión, las salidas SDI y HDMI pueden emplearse como salidas derivadas para conectar otros equipos SDI o HDMI.



## Conectores

- 1 SDI IN**  
Entrada SDI. El led situado junto al conector BNC se enciende al detectarse una señal sincronizada. Cuando ambas entradas están conectadas, la entrada SDI tiene prioridad.
- 2 SDI LOOP**  
Salida derivada directa para la entrada SDI.
- 3 HDMI IN**  
Entrada HDMI tipo A. El led situado junto al conector se enciende al detectarse una señal válida.
- 4 REF IN**  
Entrada para señal de referencia. El led situado junto al conector indica su estado, según se describe a continuación:  
**Blanco fijo** – El formato de la señal de referencia coincide con el de salida.  
**Blanco intermitente** – El formato de la señal de referencia es válido pero no coincide con el de salida.
- 5 Puerto USB-C**  
Permite conectar el convertidor a un equipo Mac o Windows para utilizar el programa Blackmagic Converters Setup. También brinda la posibilidad de actualizar el sistema operativo interno de la unidad.
- 6-7 SDI OUT**  
Salida SDI con conector BNC.
- 8 HDMI OUT**  
Salida HDMI tipo A.
- 9 POWER +6 to 36V**  
Entrada para fuente de alimentación de 6-36 voltios. El tornillo de sujeción permite evitar que el cable se desconecte accidentalmente. El led junto a la conexión se ilumina cuando el dispositivo recibe corriente eléctrica.



## Interruptores

Los interruptores de este modelo brindan las siguientes opciones:

### Interruptor 1 – Activar / desactivar procesamiento

Cuando el interruptor 1 se encuentra en la posición **OFF**, no se realiza ningún tipo de conversión, y la señal puede transmitirse mediante las salidas SDI o HDMI.

En este caso, el formato coincide con el de la señal entrante.

Cuando el interruptor 1 se encuentra en la posición **ON**, la función de conversión está activada. Los interruptores 4 a 8 determinan el formato de salida.

### Interruptor 2 – SDI 3G nivel A o B

Cuando el interruptor 2 se encuentra en la posición **OFF**, el conversor transmite una señal SDI 3G nivel B. Cuando se encuentra en la posición **ON**, el conversor transmite una señal nivel A. De esta forma, se brinda compatibilidad con equipos que solo admiten un tipo de señal en particular.

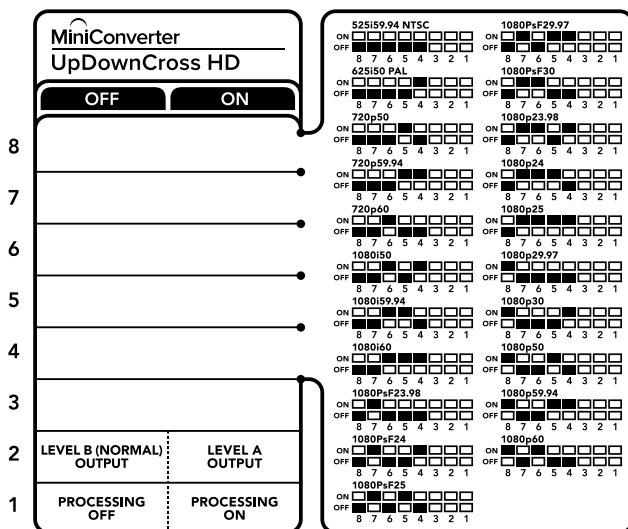
**SUGERENCIA:** Si ha conectado un equipo SDI 3G y el dispositivo no detecta la señal, cambie la posición del interruptor 2, ya que el nivel de la misma puede ser diferente.

### Interruptores 4 a 8

Estos interruptores permiten determinar el formato y el estándar de la señal transmitida.

La configuración se indica en la base de la unidad.

### Ejemplo de configuración mediante los interruptores



## Selección de formatos

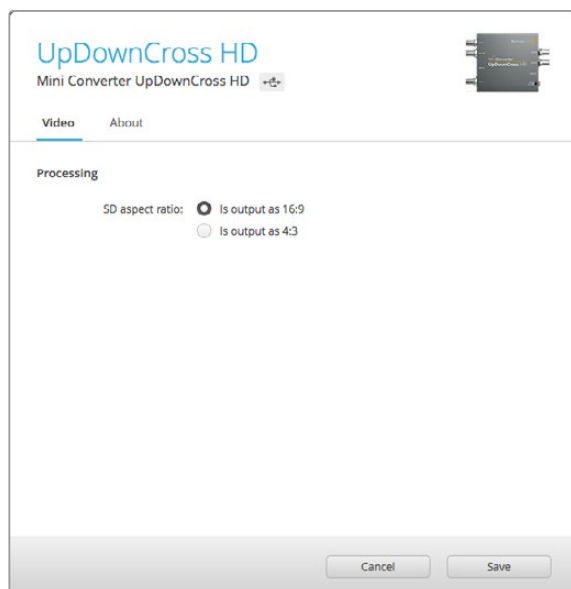
Formato	Interruptor 8	Interruptor 7	Interruptor 6	Interruptor 5	Interruptor 4	Diagrama
Interruptor 8	OFF	OFF	OFF	OFF	OFF	ON <input type="checkbox"/> <input type="checkbox"/> <input type="checkbox"/> <input type="checkbox"/> <input type="checkbox"/> <input type="checkbox"/> <input type="checkbox"/> <input type="checkbox"/> OFF <input checked="" type="checkbox"/> <input checked="" type="checkbox"/> <input checked="" type="checkbox"/> <input checked="" type="checkbox"/> <input checked="" type="checkbox"/> <input checked="" type="checkbox"/> <input checked="" type="checkbox"/> <input checked="" type="checkbox"/> 8 7 6 5 4 3 2 1
Interruptor 7	OFF	OFF	OFF	OFF	ON	ON <input type="checkbox"/> <input type="checkbox"/> <input type="checkbox"/> <input type="checkbox"/> <input type="checkbox"/> <input type="checkbox"/> <input type="checkbox"/> <input type="checkbox"/> OFF <input checked="" type="checkbox"/> <input checked="" type="checkbox"/> <input checked="" type="checkbox"/> <input checked="" type="checkbox"/> <input checked="" type="checkbox"/> <input checked="" type="checkbox"/> <input checked="" type="checkbox"/> <input checked="" type="checkbox"/> 8 7 6 5 4 3 2 1
Interruptor 6	OFF	OFF	OFF	ON	OFF	ON <input type="checkbox"/> <input type="checkbox"/> <input type="checkbox"/> <input type="checkbox"/> <input type="checkbox"/> <input type="checkbox"/> <input type="checkbox"/> <input type="checkbox"/> OFF <input checked="" type="checkbox"/> <input checked="" type="checkbox"/> <input checked="" type="checkbox"/> <input checked="" type="checkbox"/> <input checked="" type="checkbox"/> <input checked="" type="checkbox"/> <input checked="" type="checkbox"/> <input checked="" type="checkbox"/> 8 7 6 5 4 3 2 1
Interruptor 5	OFF	OFF	OFF	ON	ON	ON <input type="checkbox"/> <input type="checkbox"/> <input type="checkbox"/> <input type="checkbox"/> <input type="checkbox"/> <input type="checkbox"/> <input type="checkbox"/> <input type="checkbox"/> OFF <input checked="" type="checkbox"/> <input checked="" type="checkbox"/> <input checked="" type="checkbox"/> <input checked="" type="checkbox"/> <input checked="" type="checkbox"/> <input checked="" type="checkbox"/> <input checked="" type="checkbox"/> <input checked="" type="checkbox"/> 8 7 6 5 4 3 2 1
Interruptor 4	OFF	OFF	ON	OFF	ON	ON <input type="checkbox"/> <input type="checkbox"/> <input type="checkbox"/> <input type="checkbox"/> <input type="checkbox"/> <input type="checkbox"/> <input type="checkbox"/> <input type="checkbox"/> OFF <input checked="" type="checkbox"/> <input checked="" type="checkbox"/> <input checked="" type="checkbox"/> <input checked="" type="checkbox"/> <input checked="" type="checkbox"/> <input checked="" type="checkbox"/> <input checked="" type="checkbox"/> <input checked="" type="checkbox"/> 8 7 6 5 4 3 2 1
Diagrama	OFF	OFF	ON	OFF	ON	ON <input type="checkbox"/> <input type="checkbox"/> <input type="checkbox"/> <input type="checkbox"/> <input type="checkbox"/> <input type="checkbox"/> <input type="checkbox"/> <input type="checkbox"/> OFF <input checked="" type="checkbox"/> <input checked="" type="checkbox"/> <input checked="" type="checkbox"/> <input checked="" type="checkbox"/> <input checked="" type="checkbox"/> <input checked="" type="checkbox"/> <input checked="" type="checkbox"/> <input checked="" type="checkbox"/> 8 7 6 5 4 3 2 1
1080i59.94	OFF	OFF	ON	ON	OFF	ON <input type="checkbox"/> <input type="checkbox"/> <input type="checkbox"/> <input type="checkbox"/> <input type="checkbox"/> <input type="checkbox"/> <input type="checkbox"/> <input type="checkbox"/> OFF <input checked="" type="checkbox"/> <input checked="" type="checkbox"/> <input checked="" type="checkbox"/> <input checked="" type="checkbox"/> <input checked="" type="checkbox"/> <input checked="" type="checkbox"/> <input checked="" type="checkbox"/> <input checked="" type="checkbox"/> 8 7 6 5 4 3 2 1
1080i60	OFF	OFF	ON	ON	ON	ON <input type="checkbox"/> <input type="checkbox"/> <input type="checkbox"/> <input type="checkbox"/> <input type="checkbox"/> <input type="checkbox"/> <input type="checkbox"/> <input type="checkbox"/> OFF <input checked="" type="checkbox"/> <input checked="" type="checkbox"/> <input checked="" type="checkbox"/> <input checked="" type="checkbox"/> <input checked="" type="checkbox"/> <input checked="" type="checkbox"/> <input checked="" type="checkbox"/> <input checked="" type="checkbox"/> 8 7 6 5 4 3 2 1
1080PsF23.98	OFF	ON	OFF`	OFF	OFF	ON <input type="checkbox"/> <input type="checkbox"/> <input type="checkbox"/> <input type="checkbox"/> <input type="checkbox"/> <input type="checkbox"/> <input type="checkbox"/> <input type="checkbox"/> OFF <input checked="" type="checkbox"/> <input checked="" type="checkbox"/> <input checked="" type="checkbox"/> <input checked="" type="checkbox"/> <input checked="" type="checkbox"/> <input checked="" type="checkbox"/> <input checked="" type="checkbox"/> <input checked="" type="checkbox"/> 8 7 6 5 4 3 2 1
1080PsF24	OFF	ON	OFF	OFF	ON	ON <input type="checkbox"/> <input type="checkbox"/> <input type="checkbox"/> <input type="checkbox"/> <input type="checkbox"/> <input type="checkbox"/> <input type="checkbox"/> <input type="checkbox"/> OFF <input checked="" type="checkbox"/> <input checked="" type="checkbox"/> <input checked="" type="checkbox"/> <input checked="" type="checkbox"/> <input checked="" type="checkbox"/> <input checked="" type="checkbox"/> <input checked="" type="checkbox"/> <input checked="" type="checkbox"/> 8 7 6 5 4 3 2 1
1080PsF25	OFF	ON	OFF	ON	OFF	ON <input type="checkbox"/> <input type="checkbox"/> <input type="checkbox"/> <input type="checkbox"/> <input type="checkbox"/> <input type="checkbox"/> <input type="checkbox"/> <input type="checkbox"/> OFF <input checked="" type="checkbox"/> <input checked="" type="checkbox"/> <input checked="" type="checkbox"/> <input checked="" type="checkbox"/> <input checked="" type="checkbox"/> <input checked="" type="checkbox"/> <input checked="" type="checkbox"/> <input checked="" type="checkbox"/> 8 7 6 5 4 3 2 1
1080PsF29.97	OFF	ON	OFF	ON	ON	ON <input type="checkbox"/> <input type="checkbox"/> <input type="checkbox"/> <input type="checkbox"/> <input type="checkbox"/> <input type="checkbox"/> <input type="checkbox"/> <input type="checkbox"/> OFF <input checked="" type="checkbox"/> <input checked="" type="checkbox"/> <input checked="" type="checkbox"/> <input checked="" type="checkbox"/> <input checked="" type="checkbox"/> <input checked="" type="checkbox"/> <input checked="" type="checkbox"/> <input checked="" type="checkbox"/> 8 7 6 5 4 3 2 1
1080PsF30	OFF	ON	ON	OFF	OFF	ON <input type="checkbox"/> <input type="checkbox"/> <input type="checkbox"/> <input type="checkbox"/> <input type="checkbox"/> <input type="checkbox"/> <input type="checkbox"/> <input type="checkbox"/> OFF <input checked="" type="checkbox"/> <input checked="" type="checkbox"/> <input checked="" type="checkbox"/> <input checked="" type="checkbox"/> <input checked="" type="checkbox"/> <input checked="" type="checkbox"/> <input checked="" type="checkbox"/> <input checked="" type="checkbox"/> 8 7 6 5 4 3 2 1
1080p23.98	OFF	ON	ON	OFF	ON	ON <input type="checkbox"/> <input type="checkbox"/> <input type="checkbox"/> <input type="checkbox"/> <input type="checkbox"/> <input type="checkbox"/> <input type="checkbox"/> <input type="checkbox"/> OFF <input checked="" type="checkbox"/> <input checked="" type="checkbox"/> <input checked="" type="checkbox"/> <input checked="" type="checkbox"/> <input checked="" type="checkbox"/> <input checked="" type="checkbox"/> <input checked="" type="checkbox"/> <input checked="" type="checkbox"/> 8 7 6 5 4 3 2 1
1080p24	OFF	ON	ON	ON	OFF	ON <input type="checkbox"/> <input type="checkbox"/> <input type="checkbox"/> <input type="checkbox"/> <input type="checkbox"/> <input type="checkbox"/> <input type="checkbox"/> <input type="checkbox"/> OFF <input checked="" type="checkbox"/> <input checked="" type="checkbox"/> <input checked="" type="checkbox"/> <input checked="" type="checkbox"/> <input checked="" type="checkbox"/> <input checked="" type="checkbox"/> <input checked="" type="checkbox"/> <input checked="" type="checkbox"/> 8 7 6 5 4 3 2 1
1080p25	OFF	ON	ON	ON	ON	ON <input type="checkbox"/> <input type="checkbox"/> <input type="checkbox"/> <input type="checkbox"/> <input type="checkbox"/> <input type="checkbox"/> <input type="checkbox"/> <input type="checkbox"/> OFF <input checked="" type="checkbox"/> <input checked="" type="checkbox"/> <input checked="" type="checkbox"/> <input checked="" type="checkbox"/> <input checked="" type="checkbox"/> <input checked="" type="checkbox"/> <input checked="" type="checkbox"/> <input checked="" type="checkbox"/> 8 7 6 5 4 3 2 1
1080p29.97	OFF	ON	ON	ON	OFF	ON <input type="checkbox"/> <input type="checkbox"/> <input type="checkbox"/> <input type="checkbox"/> <input type="checkbox"/> <input type="checkbox"/> <input type="checkbox"/> <input type="checkbox"/> OFF <input checked="" type="checkbox"/> <input checked="" type="checkbox"/> <input checked="" type="checkbox"/> <input checked="" type="checkbox"/> <input checked="" type="checkbox"/> <input checked="" type="checkbox"/> <input checked="" type="checkbox"/> <input checked="" type="checkbox"/> 8 7 6 5 4 3 2 1
1080p30	ON	OFF	OFF	OFF	ON	ON <input checked="" type="checkbox"/> <input type="checkbox"/> <input type="checkbox"/> <input type="checkbox"/> <input type="checkbox"/> <input type="checkbox"/> <input type="checkbox"/> <input type="checkbox"/> OFF <input type="checkbox"/> <input checked="" type="checkbox"/> <input checked="" type="checkbox"/> <input checked="" type="checkbox"/> <input checked="" type="checkbox"/> <input checked="" type="checkbox"/> <input checked="" type="checkbox"/> <input checked="" type="checkbox"/> 8 7 6 5 4 3 2 1
1080p50	ON	OFF	OFF	ON	OFF	ON <input checked="" type="checkbox"/> <input type="checkbox"/> <input type="checkbox"/> <input type="checkbox"/> <input type="checkbox"/> <input type="checkbox"/> <input type="checkbox"/> <input type="checkbox"/> OFF <input type="checkbox"/> <input checked="" type="checkbox"/> <input checked="" type="checkbox"/> <input checked="" type="checkbox"/> <input checked="" type="checkbox"/> <input checked="" type="checkbox"/> <input checked="" type="checkbox"/> <input checked="" type="checkbox"/> 8 7 6 5 4 3 2 1
1080p59.94	ON	OFF	OFF	ON	ON	ON <input checked="" type="checkbox"/> <input type="checkbox"/> <input type="checkbox"/> <input type="checkbox"/> <input type="checkbox"/> <input type="checkbox"/> <input type="checkbox"/> <input type="checkbox"/> OFF <input type="checkbox"/> <input checked="" type="checkbox"/> <input checked="" type="checkbox"/> <input checked="" type="checkbox"/> <input checked="" type="checkbox"/> <input checked="" type="checkbox"/> <input checked="" type="checkbox"/> <input checked="" type="checkbox"/> 8 7 6 5 4 3 2 1
1080p60	ON	OFF	ON	OFF	OFF	ON <input checked="" type="checkbox"/> <input type="checkbox"/> <input type="checkbox"/> <input type="checkbox"/> <input type="checkbox"/> <input type="checkbox"/> <input type="checkbox"/> <input type="checkbox"/> OFF <input type="checkbox"/> <input checked="" type="checkbox"/> <input checked="" type="checkbox"/> <input checked="" type="checkbox"/> <input checked="" type="checkbox"/> <input checked="" type="checkbox"/> <input checked="" type="checkbox"/> <input checked="" type="checkbox"/> 8 7 6 5 4 3 2 1

## Programa utilitario

El programa Blackmagic Converters Setup permite configurar y actualizar el conversor. Cabe señalar que todos los ajustes se mantienen al apagar el dispositivo. Se puede acceder a estas opciones mediante las pestañas **Video**, **Audio** y **About**, situadas en la parte superior de la interfaz.

Consulte el apartado *Modificación de ajustes* para obtener más información sobre la pestaña **About**.

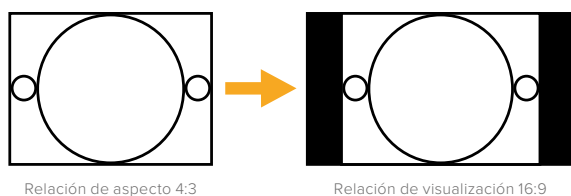
A continuación se muestran los ajustes disponibles en la pestaña **Video**.



Seleccione una relación de aspecto en la pestaña **Video** del programa utilitario.

### Relación de aspecto para definición estándar

Deje esta opción sin marcar para transmitir una señal estándar con una relación de 4:3. Marque la casilla si desea obtener una señal con una relación de 16:9. Por ejemplo, si la fuente tiene una relación de aspecto de 4:3, al dejar esta opción sin marcar, se transmite una señal que mantiene la relación original dentro de un cuadro 16:9. Sin embargo, si la fuente SD tiene una relación de 16:9, marque la casilla correspondiente para realizar la conversión.



Relación de aspecto 4:3

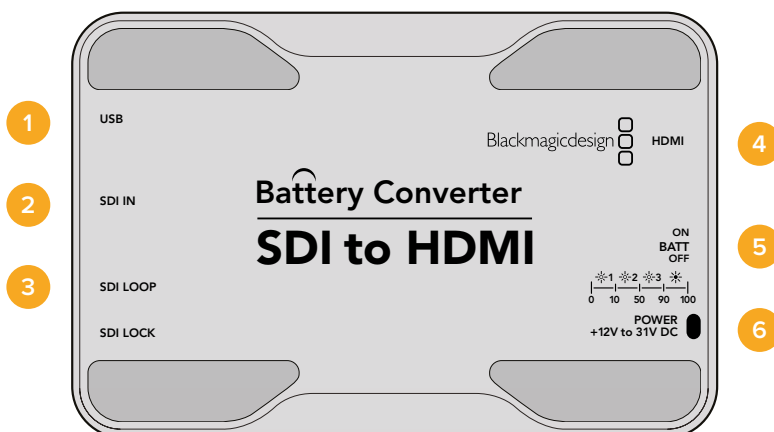
Relación de visualización 16:9

La relación de aspecto predeterminada para la señal transmitida es de 4:3. Sin embargo, es posible mantener una relación de 16:9 si es necesario marcando la opción correspondiente en la pestaña **Video** del programa utilitario.

# Modelos Battery Converter

## Battery Converter SDI to HDMI

Este modelo permite conectar equipos con tecnología SDI a una gran variedad de proyectores y monitores HDMI. Detecta automáticamente la definición de la señal y brinda la posibilidad de integrar canales de audio al realizar la conversión. Asimismo, incluye una batería integrada recargable y un armazón de aluminio de excelente calidad que protege las conexiones empotradas.



## Conexiones

- 1 Puerto mini-USB tipo B**

Permite conectar el dispositivo a un equipo informático Mac OS X o Windows para utilizar el programa Blackmagic Converters Setup. También sirve para actualizar el software interno del conector.
- 2 SDI IN**

Entrada SDI principal con conector BNC.
- 3 SDI LOOP OUT**

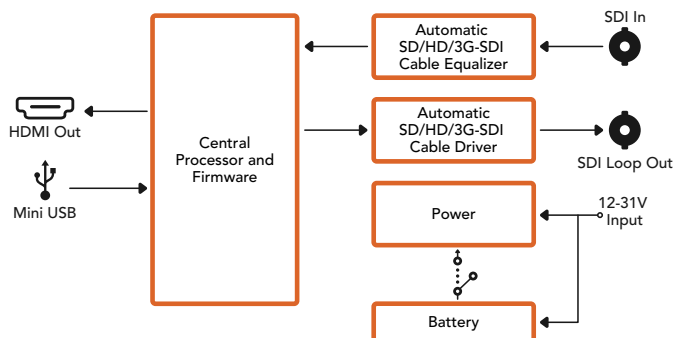
Salida SDI derivada con conector BNC.
- 4 HDMI**

Salida HDMI tipo A.
- 5 ON BATT OFF**

Permite activar o desactivar la batería. Cuando este interruptor se encuentra en la posición **ON**, el dispositivo continuará funcionando aun si se interrumpe el suministro eléctrico. Al colocarlo en la posición **OFF**, solo se utiliza la fuente de alimentación externa para no gastar la batería. El indicador luminoso situado cerca del interruptor permanece encendido cuando la batería se encuentra totalmente cargada. Este parpadea tres veces cuando el nivel de carga restante se sitúa entre 50 y 90 %, dos veces entre 10 y 50 %, y una vez si es menor de 10 %.
- 6 POWER +12V**

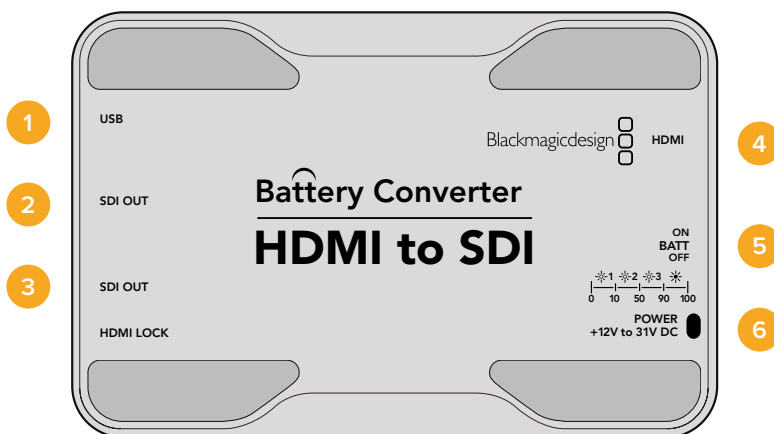
Entrada para fuente de alimentación de 12 voltios.

## Diagrama de bloques



## Battery Converter HDMI to SDI

Este modelo permite obtener una señal SDI a partir de dispositivos HDMI tales como cámaras HDV y consolas de videojuegos, facilitando de este modo la transmisión de material audiovisual mediante cables de mayor longitud. Asimismo, brinda la posibilidad de añadir salidas SDI a ordenadores que disponen de conexiones HDMI. El dispositivo incluye una batería recargable, y el armazón de aluminio sirve de protección para las conexiones empotradas.



## Conexiones

- 1 Puerto mini-USB tipo B**  
Permite conectar el dispositivo a un equipo informático Mac OS X o Windows para utilizar el programa Blackmagic Converters Setup. También sirve para actualizar el software interno del conector.
- 2 SDI OUT**  
Salida SDI con conector BNC.
- 3 SDI OUT**  
Salida SDI secundaria.
- 4 HDMI**  
Entrada HDMI tipo A.

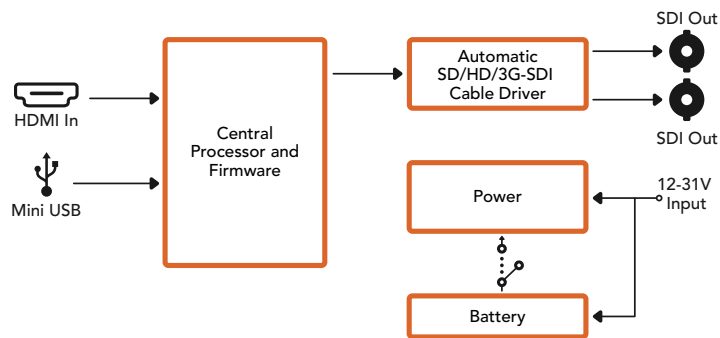
## 5 ON BATT OFF

Permite activar o desactivar la batería. Cuando este interruptor se encuentra en la posición **ON**, el dispositivo continuará funcionando aun si se interrumpe el suministro eléctrico. Al colocarlo en la posición **OFF**, solo se utiliza la fuente de alimentación externa para no gastar la batería. El indicador luminoso situado cerca del interruptor permanece encendido cuando la batería se encuentra totalmente cargada. Este parpadea tres veces cuando el nivel de carga restante se sitúa entre 50 y 90 %, dos veces entre 10 y 50 %, y una vez si es menor de 10 %.

## 6 POWER +12V

Entrada para fuente de alimentación de 12 voltios.

### Diagrama de bloques



# Ayuda

## Cómo obtener ayuda

La forma más rápida de obtener ayuda es visitando las páginas de soporte técnico en el sitio web de Blackmagic Design, donde es posible acceder al material de apoyo más reciente.

### **Página de soporte técnico de Blackmagic Design**

Las versiones más recientes del manual, el software de los dispositivos y el material de apoyo se encuentran disponibles en el centro de soporte técnico de Blackmagic Design: [www.blackmagicdesign.com/es/support](http://www.blackmagicdesign.com/es/support)

### **Foro de Blackmagic Design**

Este foro permite compartir ideas creativas y constituye un recurso útil para obtener más información sobre nuestros productos. Allí también es posible encontrar rápidamente respuestas de usuarios experimentados o suministradas por el personal de Blackmagic Design. Para acceder al foro, visite la página <http://forum.blackmagicdesign.com>.

### **Cómo ponerse en contacto con Blackmagic Design**

Si no encuentra la ayuda que necesita, solicite asistencia técnica mediante el botón **Enviar correo electrónico** situado en la parte inferior de la página de soporte en nuestro sitio web. De manera alternativa, haga clic en el botón **Soporte técnico local** para acceder al número telefónico del centro de atención más cercano.

### **Cómo comprobar la versión del software instalado**

Para comprobar la versión del programa utilitario instalado en el dispositivo, seleccione la opción **About Blackmagic Converter Setup**.

- En Mac OS X, ejecute el programa desde la carpeta de aplicaciones. Seleccione **About Blackmagic Converter Setup** en el menú de la aplicación para ver el número de la versión.
- En Windows 7, abra el programa mediante el ícono correspondiente en el menú **Inicio**. Haga clic en el menú **Help** y seleccione **About Blackmagic Converter Setup** para ver el número de la versión.
- En Windows 8, abra el programa mediante el ícono correspondiente en la página de inicio. Haga clic en el menú **Help** y seleccione **About Blackmagic Converter Setup** para ver el número de la versión.

### **Cómo obtener las actualizaciones más recientes**

Luego de verificar la versión del software instalada en el dispositivo, visite nuestra página de soporte técnico para comprobar si hay actualizaciones disponibles. Aunque generalmente es recomendable descargar las versiones más recientes, evite realizar modificaciones al sistema operativo interno si se encuentra en medio de un proyecto importante.

# Garantía

## 12 meses de garantía limitada


Blackmagic Design garantiza que los productos Mini Converter y Mini Converter Heavy Duty no presentarán defectos en los materiales o en su fabricación por un período de 36 meses a partir de la fecha de compra (a excepción de conectores, cables, ventiladores, módulos de fibra óptica, fusibles, teclados y baterías, cuya garantía por defectos materiales o de fabricación es de 12 meses a partir de la fecha de la compra). Blackmagic Design garantiza que el producto Battery Converter no presentará defectos en los materiales o en su fabricación por un período de 12 meses a partir de la fecha de compra. Si un producto resulta defectuoso durante el período de validez de la garantía, Blackmagic Design podrá optar por reemplazarlo o repararlo sin cargo alguno por concepto de piezas y/o mano de obra.

Para acceder al servicio proporcionado bajo los términos de esta garantía, el Cliente deberá dar aviso del defecto a Blackmagic Design antes del vencimiento del período de garantía y encargarse de los arreglos necesarios para la prestación del mismo. El Cliente será responsable por el empaque y el envío del producto defectuoso al centro de servicio técnico designado por Blackmagic Design y deberá abonar las tarifas postales por adelantado. El Cliente será responsable de todos los gastos de envío, seguros, aranceles, impuestos y cualquier otro importe que surja con relación a la devolución de productos por cualquier motivo.

Esta garantía carecerá de validez ante defectos o daños causados por un uso indebido o por falta de cuidado y mantenimiento. Blackmagic Design no tendrá obligación de prestar el servicio estipulado en esta garantía para (a) reparar daños provocados por intentos de personal ajeno a Blackmagic Design de instalar, reparar o realizar un mantenimiento del producto; (b) reparar daños resultantes del uso de equipos incompatibles o conexiones a los mismos; (c) reparar cualquier daño o mal funcionamiento provocado por el uso de piezas o repuestos no suministrados por Blackmagic Design; o (d) brindar servicio técnico a un producto que haya sido modificado o integrado con otros productos, cuando dicha modificación o integración tenga como resultado un aumento de la dificultad o el tiempo necesario para reparar el producto. ESTA GARANTÍA OFRECIDA POR BLACKMAGIC DESIGN REEMPLAZA CUALQUIER OTRA GARANTÍA, EXPRESA O IMPLÍCITA. POR MEDIO DE LA PRESENTE, BLACKMAGIC DESIGN Y SUS DISTRIBUIDORES RECHAZAN CUALQUIER GARANTÍA IMPLÍCITA DE COMERCIALIZACIÓN O IDONEIDAD PARA UN PROPÓSITO PARTICULAR. LA RESPONSABILIDAD DE BLACKMAGIC DESIGN EN CUANTO A LA REPARACIÓN O SUSTITUCIÓN DE PRODUCTOS DEFECTUOSOS CONSTITUYE UNA COMPENSACIÓN COMPLETA Y EXCLUSIVA PROPORCIONADA AL CLIENTE POR CUALQUIER DAÑO INDIRECTO, ESPECIAL, FORTUITO O EMERGENTE, AL MARGEN DE QUE BLACKMAGIC DESIGN O SUS DISTRIBUIDORES HAYAN SIDO ADVERTIDOS CON ANTERIORIDAD SOBRE LA POSIBILIDAD DE TALES DAÑOS. BLACKMAGIC DESIGN NO SE HACE RESPONSABLE POR EL USO ILEGAL DE EQUIPOS POR PARTE DEL CLIENTE. BLACKMAGIC DESIGN NO SE HACE RESPONSABLE POR DAÑOS CAUSADOS POR EL USO DE ESTE PRODUCTO. EL USUARIO UTILIZA EL PRODUCTO BAJO SU PROPIA RESPONSABILIDAD.

© Copyright 2018 Blackmagic Design. Todos los derechos reservados. Blackmagic Design, DeckLink, HDLink, Videohub Workgroup, Multibrige Pro, Multibrige Extreme, Intensity y Leading the Creative Video Revolution son marcas registradas en Estados Unidos y otros países. Todos los demás nombres de compañías y productos pueden ser marcas comerciales de las respectivas empresas a las que estén asociadas.



Blackmagicdesign 



安装操作手册

# Blackmagic Converter系列

2018年6月

中文



## 欢迎辞

感谢您购买和使用Blackmagic Converter系列转换器!

Blackmagic Mini Converter、Mini Converter Heavy Duty、Battery Converter以及Micro Converter转换器系列能为您提供几乎任何类型的转换方案。Mini Converter系列可从事模拟到数字、数字到模拟、SDI到音频、音频到SDI等转换,以及上、下、交叉变换和SDI信号分配,甚至可提供同步信号发生器将您的所有视频设备锁定到相同的同步信号。Mini Converter Heavy Duty系列转换器除了可提供同样的转换功能之外,还具备坚固设计,非常适合户外制作环境; Battery Converter系列则还能在无需外接电源的情况下从事户外工作。Blackmagic Micro Converter系列具备更小巧设计,可从事SDI转HDMI、HDMI转SDI等常见的转换工作,能方便您将任何HDMI输出连接到SDI视频录像机和切换台上,或者将SDI视频设备连接到HDMI监视器上。

本操作手册包含您使用Blackmagic Converter系列所需的全部信息。

请登陆公司网站[www.blackmagicdesign.com/cn](http://www.blackmagicdesign.com/cn)的支持页面获得Blackmagic Converter的最新版操作手册及其各项内部软件更新。同时,请注意定时更新内部软件以便获得最新功能。下载软件时,请注册您的相关信息,以便我们发布新软件时能及时通知您。我们不断致力于产品的功能开发和改进,因此我们热忱期待您的意见和建议!

**Grant Petty**

Blackmagic Design首席执行官

# 目录

## Blackmagic Converter系列

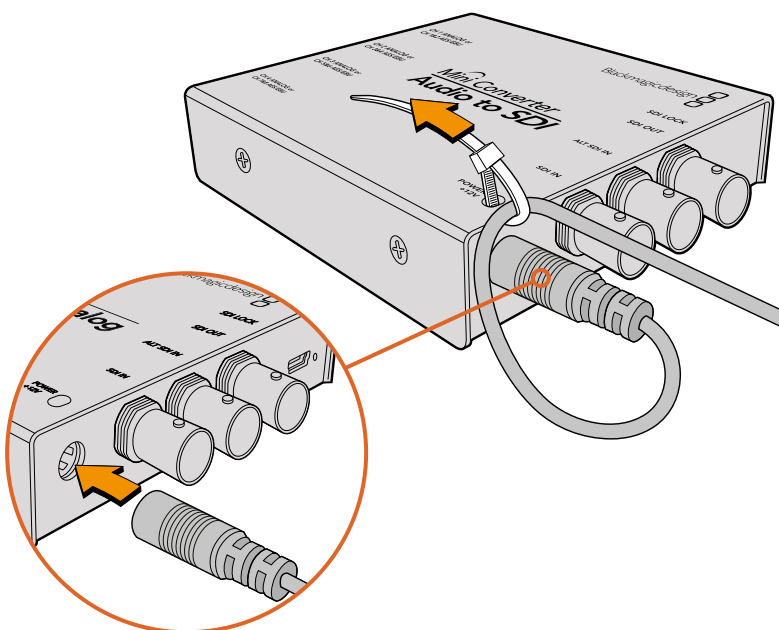
<b>入门</b>	455	Mini Converter HDMI to SDI 4K	484
连接电源	455	Mini Converter HDMI to SDI 6G	487
连接视频	456	Mini Converter SDI to Analog	490
连接音频	457	Mini Converter SDI to Analog 4K	495
<b>安装管理软件</b>	458	Mini Converter Analog to SDI	499
安装Blackmagic Converters Setup软件	458	Mini Converter SDI to Audio	503
更新内部软件	459	Mini Converter SDI to Audio 4K	506
更新Mini Converter SDI Distribution 4K	460	Mini Converter Audio to SDI	509
<b>更改设置</b>	461	Mini Converter Audio to SDI 4K	513
使用开关更改设置	461	Mini Converter Optical Fiber	517
使用Blackmagic Converters Setup软件更改设置	462	Mini Converter Optical Fiber 4K	518
About (关于) 选项卡	463	Mini Converter Optical Fiber 12G	519
<b>Blackmagic Converter系列型号</b>	463	Mini Converter Quad SDI to HDMI 4K	520
<b>Teranex Mini Converter系列</b>	463	Mini Converter SDI Distribution	521
<b>Blackmagic Micro Converter系列</b>	464	Mini Converter SDI Distribution 4K	522
Micro Converter SDI to HDMI	464	Mini Converter SDI Multiplex 4K	523
接口	464	Mini Converter Sync Generator	526
Micro Converter HDMI to SDI	465	Mini Converter UpDownCross	529
Micro Converter BiDirectional SDI/HDMI	467	Mini Converter UpDownCross HD	533
<b>Blackmagic Mini Converter系列</b>	469	转换器设置实用程序	536
Mini Converter SDI to HDMI	469	<b>Blackmagic Battery Converter系列</b>	537
Mini Converter SDI to HDMI 4K	472	Battery Converter SDI to HDMI	537
Mini Converter SDI to HDMI 6G	476	Battery Converter HDMI to SDI	538
Mini Converter HDMI to SDI	481	<b>帮助</b>	540
		<b>保修</b>	541

# 入门

Blackmagic Converter系列使用前的准备工作非常简单，只要为转换器连接电源，然后将视频源连接到视频输入接口，再通过视频输出接口连接目标设备接口即可。

## 连接电源

使用您所处国家适用的转换插头连接产品内附的12V电源。如果您购买的转换器内置束线孔，还可以用它来轻松固定电源连接。



利用转换器的束线孔来固定电源线可有效防止意外拉扯造成的连接断开。

## Micro Converter

Blackmagic Micro Converter可通过Micro USB接口获得电源。这是一项十分方便灵活的电源方案。例如，您可以使用现在市场上有售的手机电池充电器来连接电源，或者通过笔记本电脑的USB端口来连接转换器。任何可通过标准USB转Micro USB转接线提供5V电源的设备均可为您的Blackmagic Micro Converter提供电源。

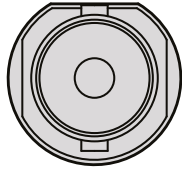
## Battery Converter系列

Blackmagic Battery Converter系列都配备标有“On Batt Off”字样的开关，可在主电源与电池电源之间进行切换。设置为“ON”时，Battery Converter即使在没有外接电源的情况下也可照常运行。设置为“OFF”时，转换器只使用外接电源，以保存内置电池的电量。开关附近的LED提示灯可表示电池充电程度，其中保持亮起代表剩余电量为100%，闪烁三下代表剩余电量为50%至90%，闪烁两下代表剩余电量为10%至50%，而闪烁一下则代表剩余电量不足10%。

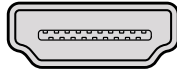


## 连接视频

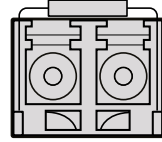
要连接视频输入和输出，只要将视频源连接到转换器的视频输入接口，并将其视频输出接口连接到目标设备即可。



BNC



HDMI

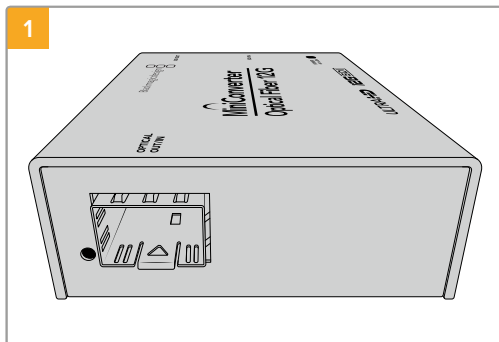


Optical Fiber

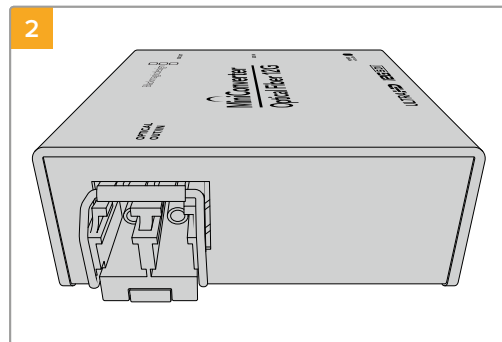
根据您所使用的Blackmagic Converter型号，视频接口可能是BNC、HDMI或光纤LC。

## 光纤接口

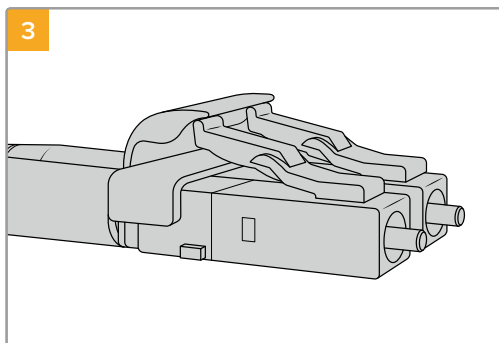
部分Blackmagic Converter机型包含SFP扩展槽，接受兼容的SFP光纤模块，最高支持3G、6G或12G-SDI视频。该模块是一台带光纤扩展槽的光纤发射接收器。



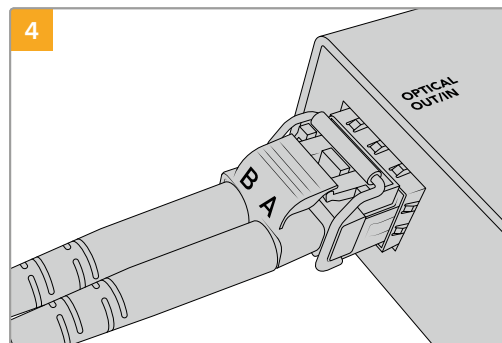
1 检查光纤输出/输入扩展槽，确保里面没有灰尘。



2 卸下SFP光纤模块的保护盖，插入SFP扩展槽。锁销锁定入位，将模块固定在扩展槽内。



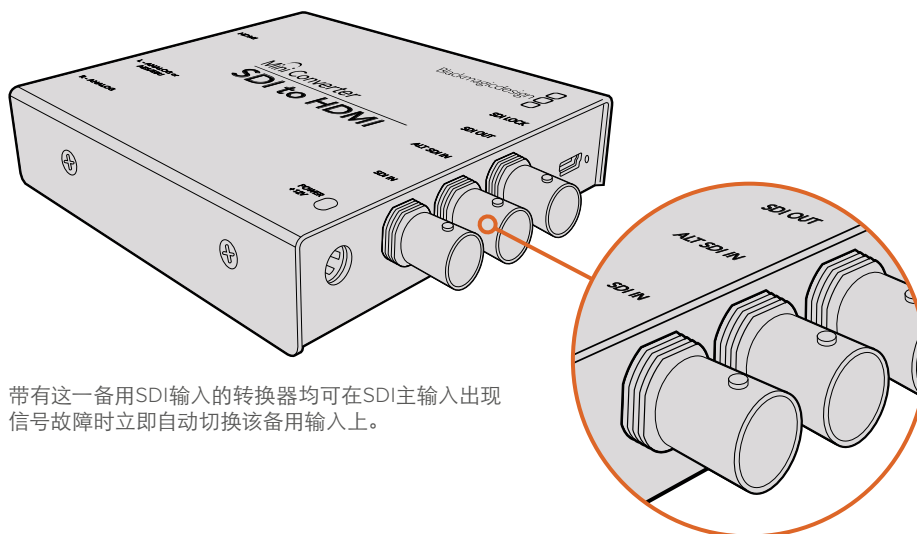
3 光纤顶部附有锁定装置，可以避免线缆掉落。



4 插入光纤线缆。确认输出和输入连接器均准确插入相应的扩展槽内，并且连接器上的锁定装置垂直撑起SFP光纤模块的杠杆。

### 故障保护备用SDI输入

部分Blackmagic Converter型号配有备用SDI输入作为冗余方案。这些输入接口上标有“ALT SDI IN”字样，可在任何SDI主输入出现信号故障时立即启用。出现此类罕见情况时，SDI LOCK LED提示灯将会闪烁，表示该转换器已被切换到备用SDI输入上。

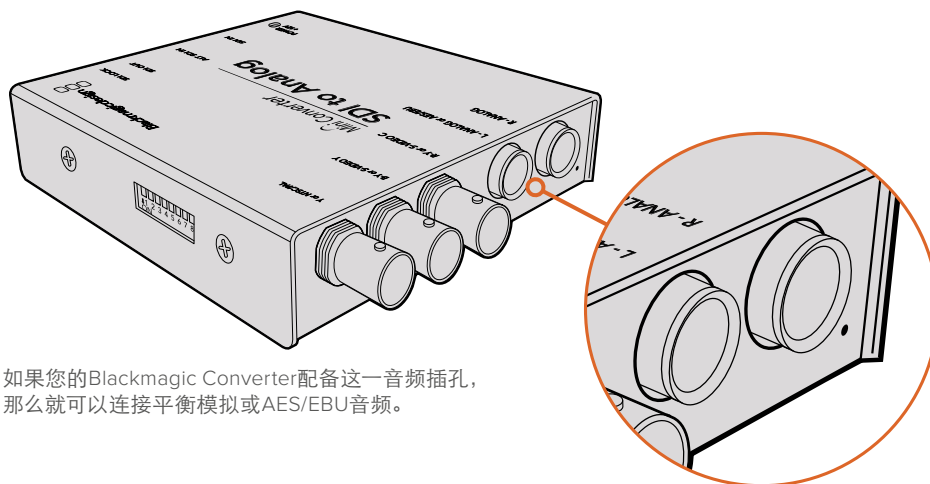


带有这一备用SDI输入的转换器均可在SDI主输入出现信号故障时立即自动切换该备用输入上。

### 连接音频

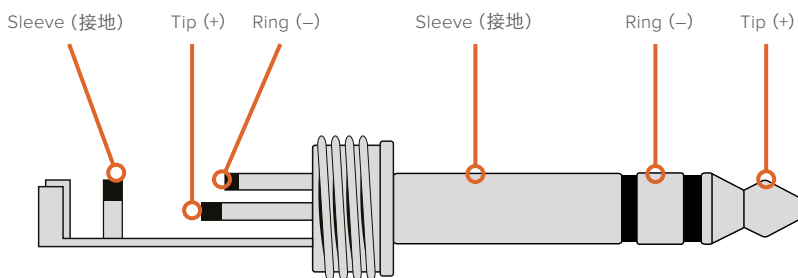
#### 音频插孔

部分Blackmagic Converter内置1/4英寸插孔，可方便您连接外部平衡模拟或数字AES/EBU音频。这一1/4英寸插孔为平衡TRS接口。TRS即“Tip”（信号）、“Ring”（信号）和“Sleeve”（接地）三个英文单词的首字母，它们分别代表这一接口的三个接触点。



如果您的Blackmagic Converter配备这一音频插孔，那么就可以连接平衡模拟或AES/EBU音频。

下面这张图展示的是1/4英寸公头引脚的内部结构，可在您自行制作音频线缆时作为参考。



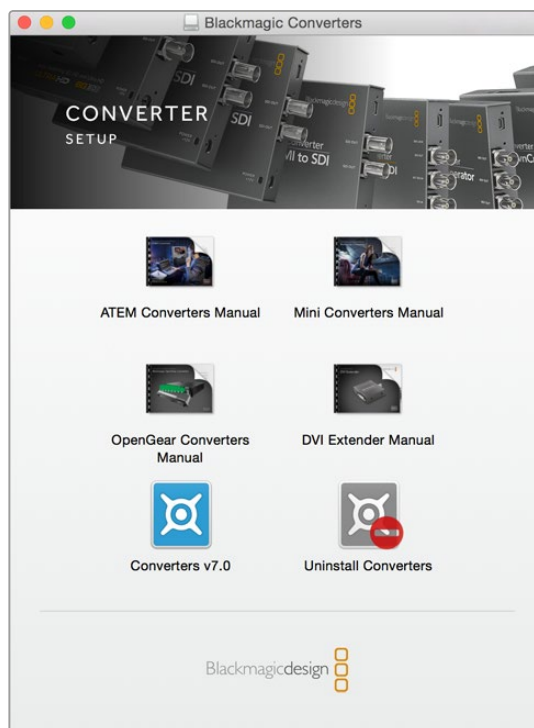
上页中音频插头图示向您展示了这一接头的正极、负极以及接地引脚结构。如果您需要更改模拟音频线缆的正负极以便能用于您的音频设备，只需要将Tip和Ring针脚的正极和负极配线互换即可。

**备注:** 如果您连接了立体声模拟音频，那么需要注意的是，如果您在一个通道插孔反接了极性，请务必在第二个插孔上同样反接，否则您的立体声模拟音频将出现异相。

## 安装管理软件

### 安装Blackmagic Converters Setup软件

Blackmagic Converters Setup软件可用于更改转换器的各项设置，并更新其内部软件。具体可用的设置取决于您所使用的转换器型号。但是，部分Blackmagic Converter并不需要进行任何设置调整，所以不带内部软件，因此这些转换器不具备USB接口。如果您的转换器属于上述类型，请直接跳到本操作手册中相关型号的具体介绍章节来了解详情。



Blackmagic Converters Setup软件可在Mac OS X以及Windows计算机上安装。

### 在Mac OS X系统下安装

- 1 请到[www.blackmagicdesign.com/cn](http://www.blackmagicdesign.com/cn)网站下载Blackmagic Converters Setup软件。
- 2 解压缩下载的文件并打开磁盘图标以显示其中的内容。
- 3 双击该安装程序，根据屏幕提示完成安装。
- 4 完成安装后，点击“Close”（关闭）。Blackmagic Converters Setup软件已安装完毕。

### 在Windows系统下安装

- 1 请到[www.blackmagicdesign.com/cn](http://www.blackmagicdesign.com/cn)网站下载Blackmagic Converters Setup软件。
- 2 解压缩下载的文件。您将可以看到一个Blackmagic Converters Setup文件夹，当中包含了本操作手册的PDF版本以及Blackmagic Converters Setup安装程序。
- 3 双击该安装程序，根据屏幕提示完成安装。
- 4 点击“Finish”完成安装。

Blackmagic Converters Setup软件已可开始使用。

## 更新内部软件

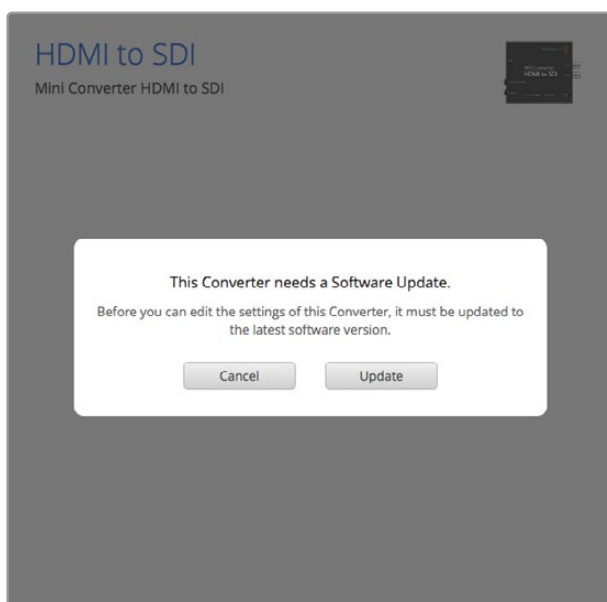
如果您的Blackmagic Converter带有USB接口，您可能会获得更多可更改的设置项，并且可以为您的转换器更新到最新的内部软件。请访问Blackmagic Design支持中心网址[www.blackmagicdesign.com/cn/support](http://www.blackmagicdesign.com/cn/support)下载最新版软件。

升级Blackmagic Micro Converter时，USB端口可为转换器提供电源，因此您不用再连接其它电源。

如使用Blackmagic Mini Converter、Battery Converter以及Mini Converters Heavy Duty型号的转换器，请确保在通过USB连接计算机时先为您的转换器连接电源。

- 1 为转换器连接电源。
- 2 使用USB线缆连接计算机和转换器，并运行Blackmagic Converters Setup软件。

您的Blackmagic Converter将会显示在该设置软件的主页面上。如果您通过USB连接一台以上转换器，请点击主页面左右两侧的箭头图标来选择相应的转换器。



如果Blackmagic Converters Setup软件检测到转换器的内部软件仍属较早版本，软件会提示您进行更新。



如果没有连接转换器，主页面将会显示“no converters found”（未找到转换器）。如果您通过USB将转换器连接到计算机，但并未连接电源，主页面会显示“no power connected”（未连接电源）。此时，您只需为转换器连接电源即可进行各项设置。

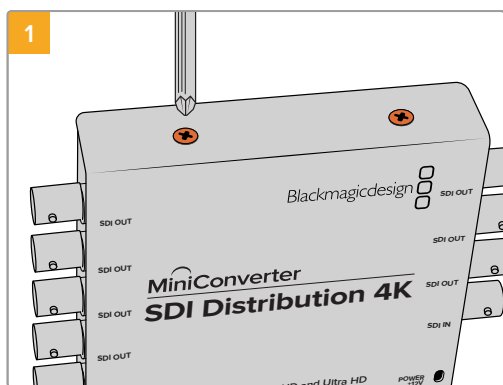
如果Blackmagic Converters Setup中所带的内部软件版本高于您Blackmagic Converter当前安装的版本，它就会提示您进行软件更新。只要根据屏幕提示即可完成更新。

## 更新Mini Converter SDI Distribution 4K

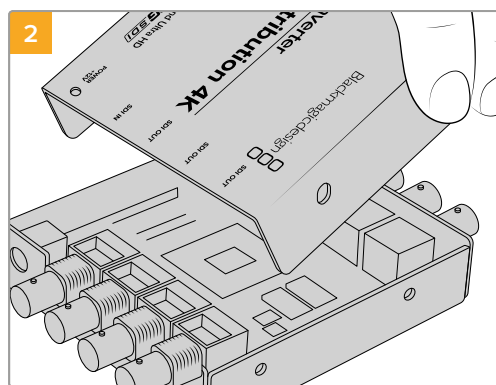
Blackmagic Mini Converter SDI Distribution 4K搭载内部USB接口。这台Mini Converter的设置无需用户调整，所以永远不需要连接设置软件。在很罕见的情况下，为了改进与一些设备的兼容性，我们会推出内部软件更新。比如Blackmagic Converters Software 7.0.9版本改进了Mini Converter对A级3G SDI信号的兼容性。

如果Mini Converter SDI Distribution 4K搭配使用的设备有适用的更新，您可以按照以下步骤连接Mini Converter的USB接口：

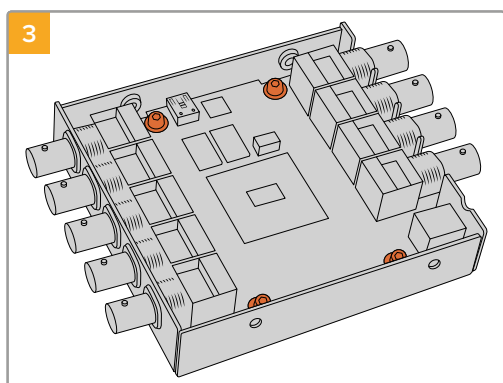
**备注：**连接Mini Converter SDI Distribution 4K前请务必切断电源。我们建议这项工作应由具有专业资格的工程师使用防静电带完成。



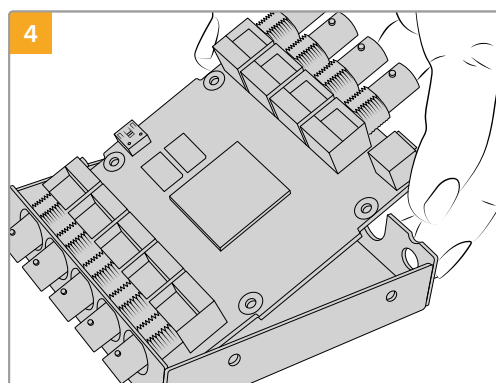
使用十字螺丝刀卸下位于Mini Converter SDI Distribution 4K两侧四个（M3）螺丝。



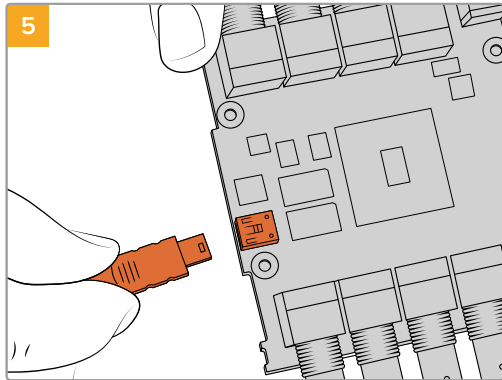
滑动取下外壳。



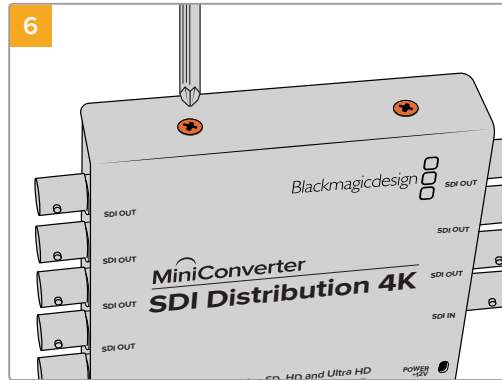
使用T10 Torx螺丝刀卸下将电路板固定在Mini Converter SDI Distribution 4K框架上的四个螺丝。



小心将电路板从框架上抬起，找到USB接口。



接通Mini Converter SDI Distribution 4K电源，通过USB 缆线将其与计算机连接。以与Mini Converter同样的方式更新内部软件。



从后往前重复步骤1到4重新组装Mini Converter SDI Distribution 4K。

**备注:** 手持Mini Converter SDI Distribution 4K电路板时，请务必握住电路板的边缘，从而避免造成内部元件意外短路。

## 更改设置

如果您的Blackmagic Converter含有可调整的设置，您可通过两种方法进行设置更改：使用转换器一侧的内置开关进行更改，或者使用Blackmagic Converters Setup实用软件来更改设置。这一实用软件也可用来更改任何无法通过开关更改的设置选项，例如模拟视频和音频电平。

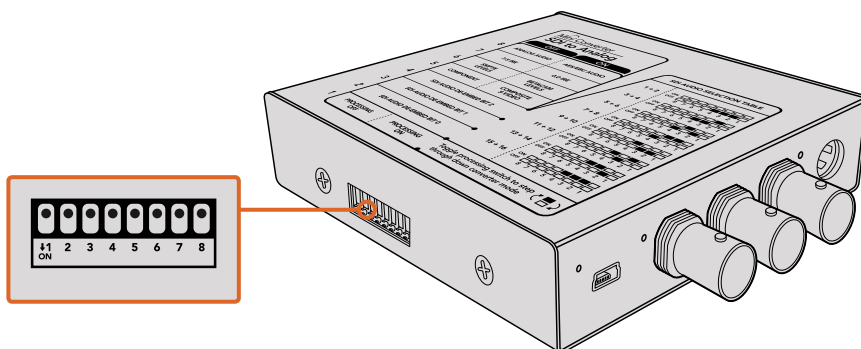
### 使用开关更改设置

很多Blackmagic Converter型号都具备内置开关。

要更改开关设置，只需使用笔尖上下拨动开关即可。这样可开启或关闭开关。8个开关可为您提供众多组合选择，您可以根据需要挑选适合的转换设置。

转换器底部印有开关设置图表。请从左到右仔细观察1到8号开关，以确保您的开关设置对应相关说明。

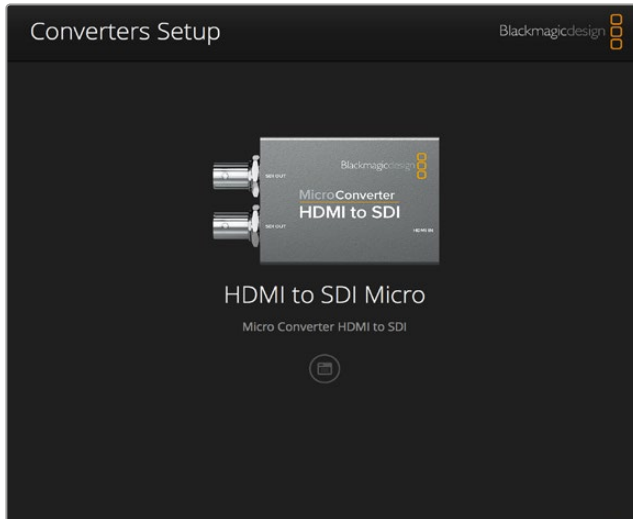
关于每个开关及其设置的具体信息，请参考本手册中相应转换器型号的介绍部分。虽然转换器背面已印有开关设置图表，但是将来设备更新后或将添加新的设置功能，因此请关注本操作手册的最新版本发布，以便获得最新的信息。请到Blackmagic Design的支持中心下载最新版操作手册，网址：[www.blackmagicdesign.com/cn/support](http://www.blackmagicdesign.com/cn/support)。



使用笔尖拨动开关来调整设置。

## 使用Blackmagic Converters Setup软件更改设置

在计算机上安装Blackmagic Converters Setup实用程序后，请通过USB将实用程序连接到您的Blackmagic Converter。



Blackmagic Converters Setup实用程序可以让您通过Mac OS X或Windows计算机更新转换器的内部软件并调整设置。

运行该实用程序后，首先出现的是主界面。如果您将多台转换器连接到计算机上，请点击Blackmagic Converters Setup主页面左右两侧的箭头图标来进行选择。

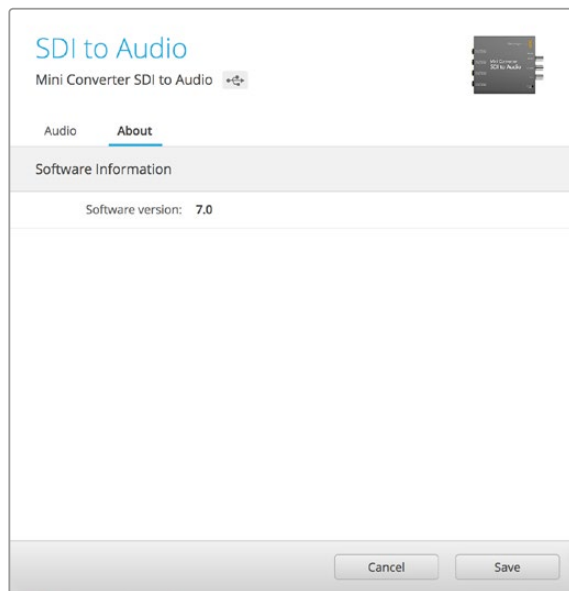
要更改设置，请点击Blackmagic Converter图像下方的设置图标。所有调整都会立即保存到您的转换器上。这样一来，一旦发生断电，您的各项设置都可在电源恢复后重新应用。

大部分设置只要使用转换器的内置开关就可以完成配置，但有些设置只能通过实用软件来配置，比如调整模拟视频或音频电平等。

**提示：** Teranex Mini Converter是12G-SDI转换器，因此支持包括高达4K DCI 60p在内的更多视频格式。如果您想要获得关于如何使用Teranex Mini Converter，包括如何通过Blackmagic Teranex Setup软件更改设置的信息，请参考Teranex Mini Converter操作手册。请到Blackmagic Design的支持中心下载最新版操作手册，网址：[www.blackmagicdesign.com/cn/support](http://www.blackmagicdesign.com/cn/support)。

## About (关于) 选项卡

Blackmagic Converters Setup软件中的“About”选项卡是所有转换器型号都具备的。您可以使用该选项卡中的设置来为您的Blackmagic Converter命名。点击“Name”文本框并键入想要的转换器名称即可。点击“Save”（保存）以确认更改。



Blackmagic Converters Setup软件中的“About”（关于）选项卡可用于为您的Blackmagic Converter命名。您还可以查看该设置软件的版本信息。

“About”选项卡中的“Software Information”（软件信息）菜单可识别您的Blackmagic Converter当前运行的是哪个软件版本。如果您的转换器的内部软件版本低于Blackmagic Converters Setup实用程序中的当前版本，程序中会出现“Update”（更新）按钮以便您更新转换器软件。

## Blackmagic Converter系列型号

Blackmagic Converter系列可提供种类齐全的转换方案。例如，Mini Converter系列轻质坚固，可以被安装到视频设备或视频托架上；Battery Converter系列具有高强度设计，并内置充电电池，可实现自供电便携应用方案；而Blackmagic Micro Converter系列则是袖珍型SDI to HDMI和HDMI to SDI转换器，可通过USB供电，因此非常适合安装到监视器和笔记本电脑上使用。

在接下来几页中，本手册将为您介绍Blackmagic Converter以及开关配置和初始软件设置方面的内容。

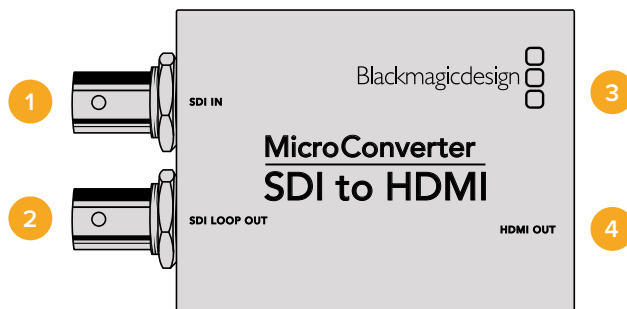
## Teranex Mini Converter系列

Blackmagic Teranex Mini Converter均为12G-SDI转换器，该系列支持高达4K DCI 60p的视频格式。这类转换器可使用选购的Teranex Mini Smart Panel实现控制，获得内置LCD、控制按钮和旋钮等功能，还可通过以太网获得电源。如果您想要了解关于此类转换器的详细信息，包括如何通过Blackmagic Teranex Setup实用软件进行控制，可参考Teranex Mini Converter系列操作手册。具体请到Blackmagic Design支持中心[www.blackmagicdesign.com/cn/support](http://www.blackmagicdesign.com/cn/support)进行下载。

# Blackmagic Micro Converter系列

## Micro Converter SDI to HDMI

Micro Converter SDI to HDMI可将类型广泛的HDMI显示器和视频投影仪连接到SDI设备上。您的Micro Converter SDI to HDMI可自动检测SD/HD/3G-SDI，将信号转换到HDMI并带加嵌音频。这款微型广播级高品质转换器采用坚固的铝制机身，可通过USB获得电源，因此您可以使用一根常见的市售Micro USB线缆从笔记本电脑或者电视机的USB端口获得电源。Micro USB线缆可用于将手机连接到充电器或笔记本电脑上，因此如果您手头有此类线缆，正好可以派上用场。如果您线缆上的USB接头属于不同类型，请到电子设备商店购买合适的线缆即可。



### 接口

- 1 SDI IN**  
BNC接口，主SDI视频输入。
- 2 SDI LOOP**  
BNC接口，SDI输入的环通输出。
- 3 Micro USB / Power**  
可通过内附的适配器提供电源，或者任何可通过标准USB转Micro USB转接线提供5V电源的设备，如笔记本电脑或电视机，都可以为转换器提供电源。还可通过您的Mac OS X或Windows计算机连接Blackmagic Converters Setup软件。
- 4 HDMI OUT**  
HDMI A类视频输出。

## Blackmagic Converters Setup的各项设置

Blackmagic Converters Setup实用程序可用于更改Micro Converter的各项设置并更新转换器的内部软件。您可在“Video”（视频）以及“About”（关于）选项卡之间移动来实现各种设置。

“About”（关于）选项卡的相关内容在本手册“更改设置”部分进行了详述。

Micro Converter SDI to HDMI的“Video”（视频）选项卡包含了如下设置：

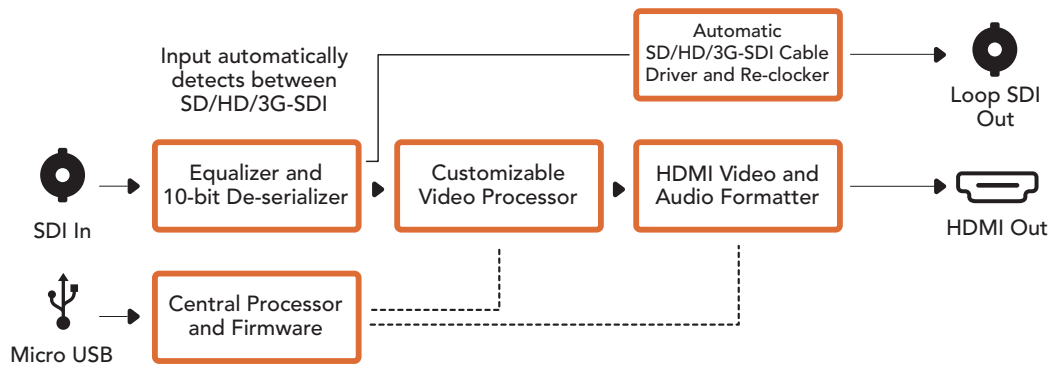


“Clip video output to legal levels”  
 (视频限幅输出到合法电平) 设置默认为勾选状态。  
 该设置可确保您的HDMI输出真实体现SDI输入。

### Processing (处理) 菜单

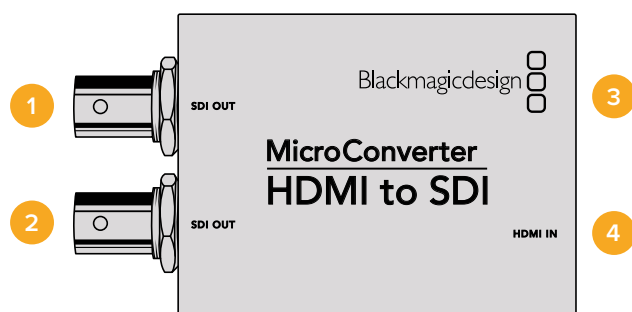
“Clip video output to legal levels” 复选框可控制SDI输入上的限幅，以确保信号保持在HDMI合法电平之内，默认情况下应处于启用状态。

### Micro Converter SDI to HDMI原理图



### Micro Converter HDMI to SDI

您可以使用Micro Converter HDMI to SDI型号的转换器将来自HDV摄像机和游戏机等设备的HDMI输出转换为SDI信号。这样就可以使用最长的SDI线缆，将来自HDMI的视频信号发送到SDI上，甚至可以为兼容HDMI的计算机添加SDI输出。这款微型广播级高品质转换器采用坚固的铝制机身，可通过USB获得电源，因此您可以使用一根常见的市售Micro USB线缆从笔记本电脑或者电视机的USB端口获得电源。Micro USB线缆用来将手机连接到充电器或笔记本电脑上，因此如果您手头有此类线缆，正好可以派上用场。如果您线缆上的USB接头属于不同类型，请到电子设备商店购买合适的线缆即可。



## 接口

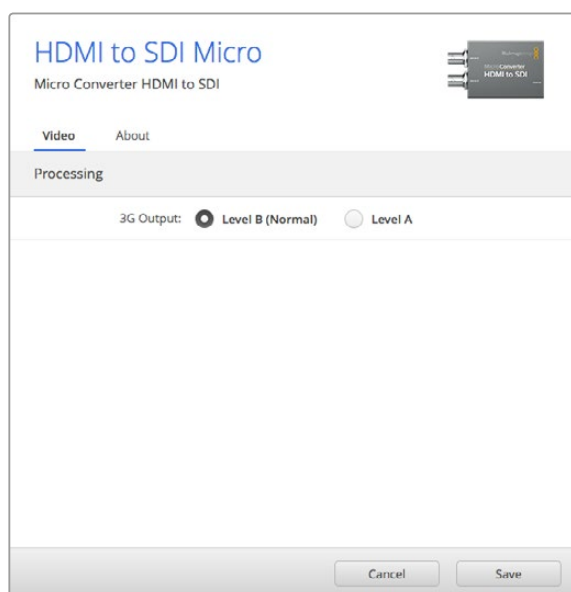
- 1 SDI OUT**  
BNC接口, SDI视频输出。
- 2 SDI OUT**  
备用SDI视频输出。
- 3 Micro USB / Power**  
可通过内附的适配器提供电源, 或者任何可通过标准USB转Micro USB转接线提供5V电源的设备, 如笔记本电脑或电视机, 都可以为转换器提供电源。还可通过您的Mac OS X或Windows计算机连接Blackmagic Converters Setup软件, 以便更新Micro Converter的内部软件。
- 4 HDMI IN**  
HDMI A类视频输入。

## Blackmagic Converters Setup的各项设置

Blackmagic Converters Setup实用程序可用于更改Micro Converter的各项设置并更新转换器的内部软件。您可在“Video”（视频）以及“About”（关于）选项卡之间移动来实现各种设置。

“About”（关于）选项卡的相关内容在本手册“更改设置”部分进行了详述。

Micro Converter HDMI to SDI的“Video”（视频）选项卡包含了如下设置：

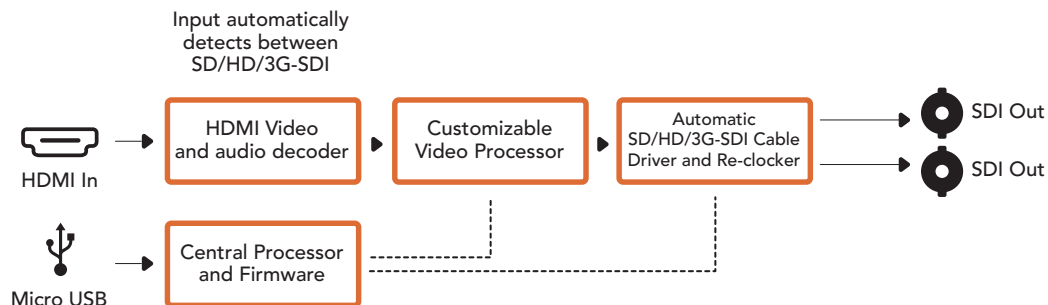


使用Blackmagic Converters Setup软件的“Video”选项卡可调整SDI级别。

## Processing (处理) 菜单

“3G Output” (3D输出) 菜单可用来选择A级或B级3G-SDI。该设置可用来更改3G-SDI输出标准, 从而保持与设备之间的兼容, 即指接收A级和B级的3G-SDI视频信号。B级是默认设置。

## Micro Converter HDMI to SDI原理图



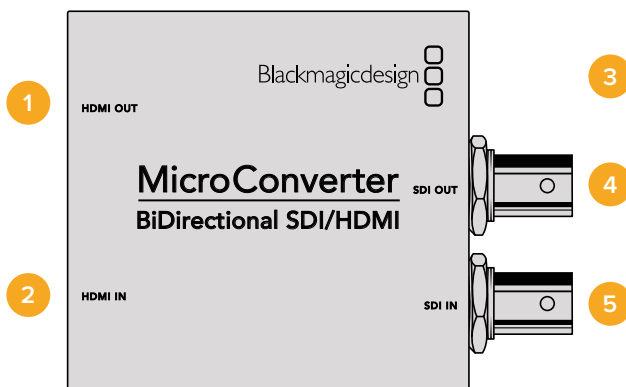
## Micro Converter BiDirectional SDI/HDMI

Micro Converter BiDirectional SDI/HDMI可将HDMI转换为SDI和HD SDI视频, 还可将SD和HD SDI转换成HDMI, 同时加嵌音频。例如, 您可以将HDV摄影机的HDMI输出转换成SDI来实现更长的线缆距离, 还可以将SDI返送信号转换成HDMI以便连接HDMI电视机。

如果只连接了一路输入, 那么SDI和HDMI输出都可以作为环通输出使用, 从而将输入信号发送至其他HDMI或SDI设备上。

Micro Converter BiDirectional SDI/HDMI将自动检测到SD/HD/3G-SDI输入格式, 并将输出格式与之匹配。

这款微型广播级高品质转换器采用坚固的铝制机身, 可通过USB获得电源, 因此您可以使用一根常见的市售Micro USB线缆从笔记本电脑或者电视机的USB端口就能为Blackmagic Micro Converter BiDirectional SDI/HDMI供电。Micro USB线缆可用来将手机连接到充电器或笔记本电脑上, 因此如果您手头有此类线缆, 正好可以派上用场。如果您线缆上的USB接头属于不同类型, 请到电子设备商店购买合适的线缆即可。



## 各类接口

- 1 HDMI OUT**  
HDMI A类视频输出。
- 2 HDMI IN**  
HDMI A类视频输入。



### 3 Micro USB / 电源

从笔记本电脑或电视机等能够通过标准USB转Micro USB线缆提供5V电源的设备上，为设备提供5V电源。还可通过您的Mac OS X或Windows计算机连接Blackmagic Converters Setup软件。

### 4 SDI OUT

BNC接口，SDI视频输出。

### 5 SDI IN

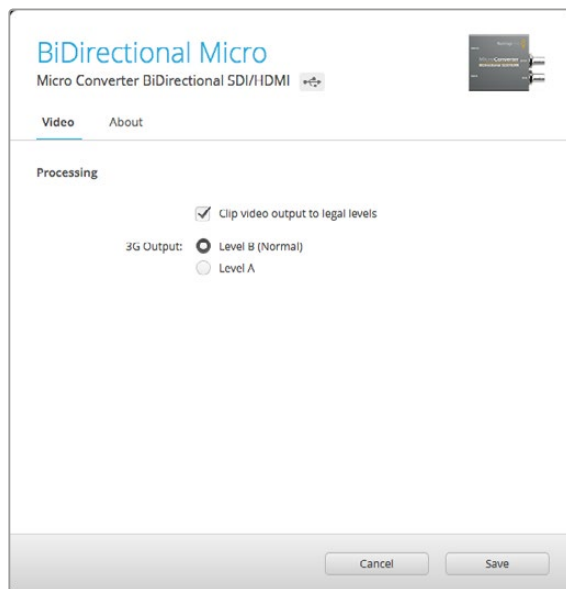
BNC接口，SDI视频输入。

## Blackmagic Converters Setup的各项设置

Blackmagic Converters Setup实用程序可用于更改Micro Converter的各项设置并更新转换器的内部软件。您可在“Video”（视频）以及“About”（关于）选项卡之间移动来实现各种设置。

“About”（关于）选项卡的相关内容在本手册“更改设置”部分进行了详述。

Micro Converter BiDirectional SDI/HDMI的“Video”（视频）选项卡包含了如下设置：



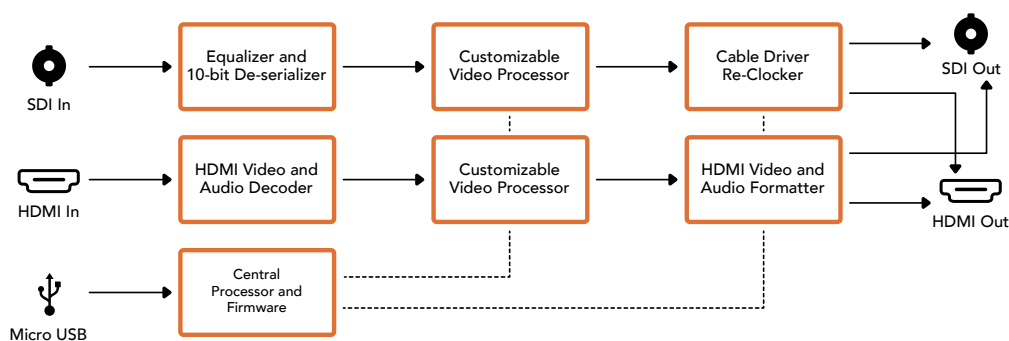
“Clip video output to legal levels”（视频限幅输出到合法电平）设置默认为勾选状态。该设置可确保您的HDMI输出真实体现SDI输入。

### Processing (处理) 菜单

“Clip video output to legal levels”复选框可控制SDI输入上的限幅，以确保信号保持在HDMI合法电平之内，默认情况下应处于启用状态。

“3G Output”（3D输出）设置可用于选择A级或B级3G-SDI。该菜单可用于更改3G-SDI输出标准，从而保持与设备之间的兼容，即只接收A级和B级的3G-SDI视频信号。默认设置为B级。

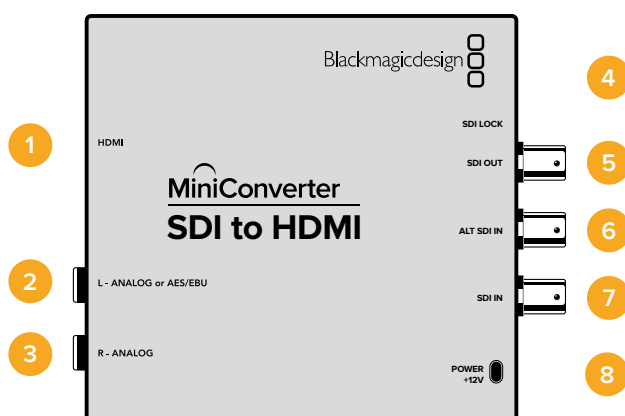
## Micro Converter BiDirectional SDI/HDM原理图



# Blackmagic Mini Converter系列

## Mini Converter SDI to HDMI

Mini Converter SDI to HDMI可将类型广泛的HDMI显示器和视频投影仪连接到SDI设备上。您的Mini Converter SDI to HDMI可自动检测SD/HD/3G-SDI, 将信号转换到HDMI并带加嵌音频, 以及平衡AES/EBU或模拟音频输出。



## 接口

- 1 HDMI**  
HDMI A类视频输出。
- 2 L - ANALOG or AES/EBU**  
1/4英寸接口, 平衡左声道模拟音频或AES/EBU数字音频输出。
- 3 R - ANALOG**  
1/4英寸接口, 平衡右声道模拟音频输出。
- 4 MINI-B USB端口**  
可通过您的Mac OS X或Windows计算机连接到转换器设置软件。Mini Converter的内部软件也可通过这一USB端口更新。
- 5 SDI OUT**  
BNC接口, SDI视频输出。



## SDI音频选项表

音频通道	4号开关	3号开关	2号开关	开关示意图
1和2	OFF (关)	OFF (关)	OFF (关)	ON OFF 8 7 6 5 4 3 2 1
3和4	OFF (关)	OFF (关)	ON (开)	ON OFF 8 7 6 5 4 3 2 1
5和6	OFF (关)	ON (开)	OFF (关)	ON OFF 8 7 6 5 4 3 2 1
7和8	OFF (关)	ON (开)	ON (开)	ON OFF 8 7 6 5 4 3 2 1
9和10	ON (开)	OFF (关)	OFF (关)	ON OFF 8 7 6 5 4 3 2 1
11和12	ON (开)	OFF (关)	ON (开)	ON OFF 8 7 6 5 4 3 2 1
13和14	ON (开)	ON (开)	OFF (关)	ON OFF 8 7 6 5 4 3 2 1
15和16	ON (开)	ON (开)	ON (开)	ON OFF 8 7 6 5 4 3 2 1

## Blackmagic Converters Setup的各项设置

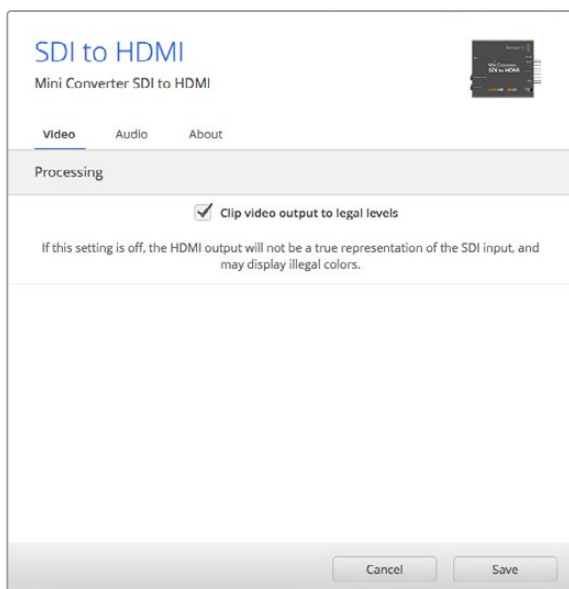
Converters Setup实用程序可用于更改Mini Converter的各项设置并更新其软件。您可在“Video”（视频）、“Audio”（音频）以及“About”（关于）选项卡之间移动来实现各种设置。

“About”（关于）选项卡的相关内容在本手册“更改设置”部分进行了详述。

Mini Converter SDI to HDMI的“Video”（视频）选项卡包含了如下设置：

### Processing (处理) 菜单

“Clip video output to legal levels”复选框可控制SDI输入上的限幅，以确保信号保持在HDMI合法电平之内，默认情况下应处于启用状态。

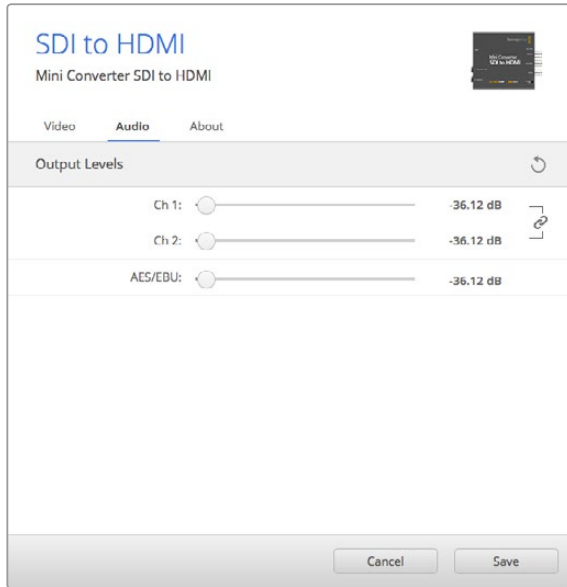


“Clip video output to legal levels”设置默认为勾选。这样可确保您的HDMI视频输出保持在合法电平范围内。

Mini Converter SDI to HDMI的“Audio”（音频）选项卡包含了如下设置：

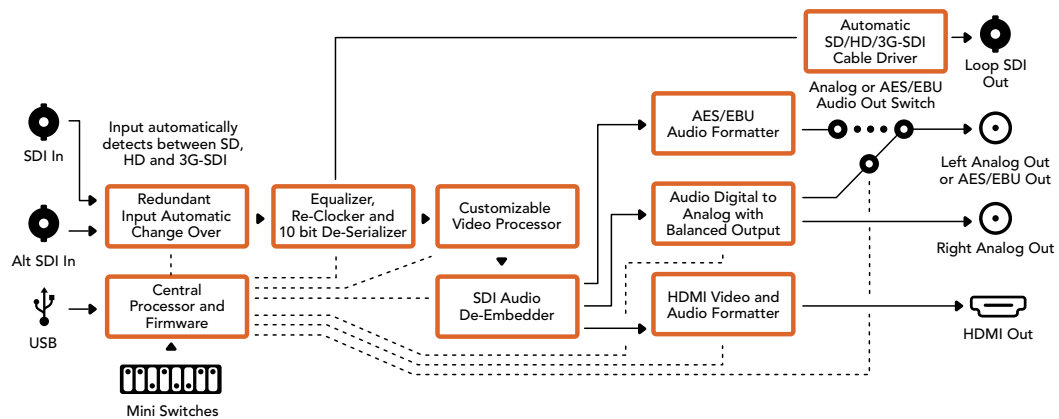
### Output Levels (输出电平) 菜单

这一菜单可用来调整音频输出的增益设置。您可以单独调整每个通道的音频电平，或点击其滑块一侧的链接图标来统一调整每个通道。要将音频电平全部重置到0 dB，点击“Output Levels”菜单顶部的重置按钮即可。



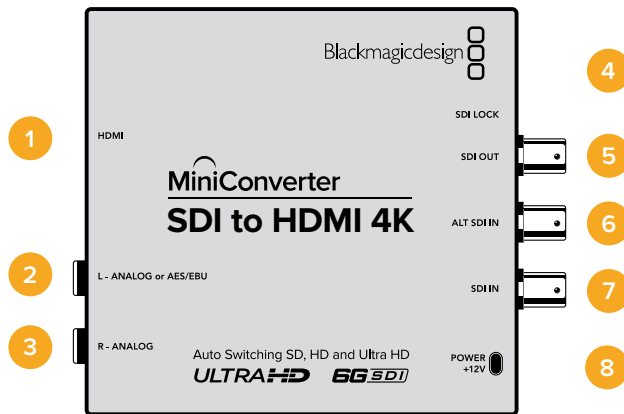
使用Converters Setup软件中的“Audio”（音频）选项卡来调整音频电平。

### Mini Converter SDI to HDMI原理图



### Mini Converter SDI to HDMI 4K

Mini Converter SDI to HDMI 4K以及SDI to HDMI 4K Heavy Duty型号可将类型广泛的HDMI显示器和视频投影仪连接到SDI设备上。您的Mini Converter SDI to HDMI 4K可自动检测SD/HD/3G/6G-SDI，将信号转换到HDMI并带加嵌音频，以及平衡AES/EBU或模拟音频输出。HDMI即时锁定功能可锁定HDMI输出，以便对使用相同格式的信号源进行更改时确保画面清晰稳定。如果您的转换器检测到HDMI输出上连接了HD监视器或电视机，并且其SDI输入上连接了Ultra HD信号源，那么转换器会自动对该信号进行下变换，以便您在HD监视器上查看Ultra HD信号源。



## 接口

- 1 HDMI**  
HDMI A类视频输出。
- 2 L - ANALOG or AES/EBU**  
1/4英寸接口，平衡左声道模拟音频或AES/EBU数字音频输出。
- 3 R - ANALOG**  
1/4英寸接口，平衡右声道模拟音频输出。
- 4 MINI-B USB端口**  
可通过您的Mac OS X或Windows计算机连接到转换器设置软件。Mini Converter的内部软件也可通过这一USB端口更新。
- 5 SDI OUT**  
BNC接口，SDI视频输出。
- 6 ALT SDI IN**  
可提供冗余SDI输入作为备用选择。
- 7 SDI IN**  
主SDI输入。
- 8 POWER +12V**  
12V电源输入。

## 开关

**提示:** Mini Converter Heavy Duty型号的开关设有橡胶防尘盖，可起到保护作用。只要沿着保护盖的边缘打开就可以看到这些开关。

Mini Converter SDI to HDMI 4K的开关可提供以下设置：

### 8号开关 - 模拟音频、AES/EBU音频

将8号开关置为“OFF”（关）可选择平衡模拟音频，置为“ON”（开）则可选择数字AES/EBU音频输出。

### 4号开关 - SDI音频解嵌Bit 2

4、3、2号开关合在一起可提供8个开/关组合。拥有八种不同的组合可从SDI输入上解嵌出八对独立的声道并输出为HDMI、模拟或AES/EBU音频。

### 3号开关 - SDI音频解嵌Bit 1

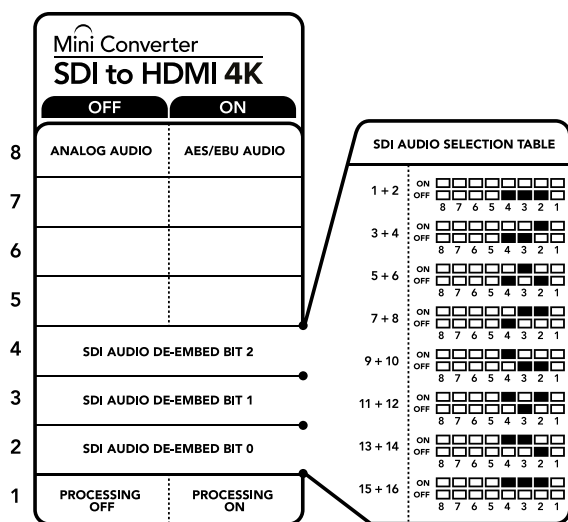
详见4号开关描述。

### 2号开关 - SDI音频解嵌Bit 0

详见4号开关描述。

### 1号开关 - 处理停止 - 处理开始

此开关不使用。



转换器背面印有开关示意图，图中详细介绍了更改转换设置所需的全部信息。

## 开关设置示例

您可以尝试不同的开关设置，比如将Blackmagic Mini Converter的8、4、3和2号开关置于“OFF”的位置，从而将其设置为解嵌SDI声道1和2并输出模拟音频。

## SDI音频选项表

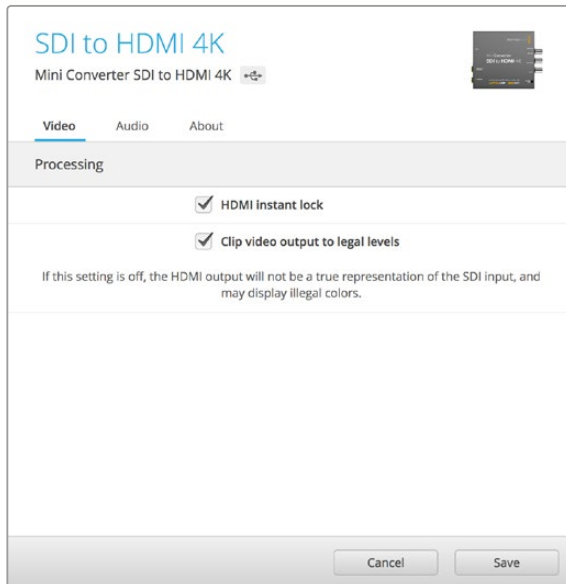
音频通道	4号开关	3号开关	2号开关	开关示意图
1和2	OFF (关)	OFF (关)	OFF (关)	ON <input type="checkbox"/> <input type="checkbox"/> <input type="checkbox"/> <input type="checkbox"/> <input type="checkbox"/> <input type="checkbox"/> <input type="checkbox"/> <input type="checkbox"/> OFF <input type="checkbox"/> <input type="checkbox"/> <input type="checkbox"/> <input type="checkbox"/> <input type="checkbox"/> <input type="checkbox"/> <input type="checkbox"/> <input type="checkbox"/> 8 7 6 5 4 3 2 1
3和4	OFF (关)	OFF (关)	ON (开)	ON <input type="checkbox"/> <input type="checkbox"/> <input type="checkbox"/> <input type="checkbox"/> <input type="checkbox"/> <input type="checkbox"/> <input type="checkbox"/> <input type="checkbox"/> OFF <input type="checkbox"/> <input type="checkbox"/> <input type="checkbox"/> <input type="checkbox"/> <input type="checkbox"/> <input type="checkbox"/> <input type="checkbox"/> <input type="checkbox"/> 8 7 6 5 4 3 2 1
5和6	OFF (关)	ON (开)	OFF (关)	ON <input type="checkbox"/> <input type="checkbox"/> <input type="checkbox"/> <input type="checkbox"/> <input type="checkbox"/> <input type="checkbox"/> <input type="checkbox"/> <input type="checkbox"/> OFF <input type="checkbox"/> <input type="checkbox"/> <input type="checkbox"/> <input type="checkbox"/> <input type="checkbox"/> <input type="checkbox"/> <input type="checkbox"/> <input type="checkbox"/> 8 7 6 5 4 3 2 1
7和8	OFF (关)	ON (开)	ON (开)	ON <input type="checkbox"/> <input type="checkbox"/> <input type="checkbox"/> <input type="checkbox"/> <input type="checkbox"/> <input type="checkbox"/> <input type="checkbox"/> <input type="checkbox"/> OFF <input type="checkbox"/> <input type="checkbox"/> <input type="checkbox"/> <input type="checkbox"/> <input type="checkbox"/> <input type="checkbox"/> <input type="checkbox"/> <input type="checkbox"/> 8 7 6 5 4 3 2 1
9和10	ON (开)	OFF (关)	OFF (关)	ON <input type="checkbox"/> <input type="checkbox"/> <input type="checkbox"/> <input type="checkbox"/> <input type="checkbox"/> <input type="checkbox"/> <input type="checkbox"/> <input type="checkbox"/> OFF <input type="checkbox"/> <input type="checkbox"/> <input type="checkbox"/> <input type="checkbox"/> <input type="checkbox"/> <input type="checkbox"/> <input type="checkbox"/> <input type="checkbox"/> 8 7 6 5 4 3 2 1
11和12	ON (开)	OFF (关)	ON (开)	ON <input type="checkbox"/> <input type="checkbox"/> <input type="checkbox"/> <input type="checkbox"/> <input type="checkbox"/> <input type="checkbox"/> <input type="checkbox"/> <input type="checkbox"/> OFF <input type="checkbox"/> <input type="checkbox"/> <input type="checkbox"/> <input type="checkbox"/> <input type="checkbox"/> <input type="checkbox"/> <input type="checkbox"/> <input type="checkbox"/> 8 7 6 5 4 3 2 1
13和14	ON (开)	ON (开)	OFF (关)	ON <input type="checkbox"/> <input type="checkbox"/> <input type="checkbox"/> <input type="checkbox"/> <input type="checkbox"/> <input type="checkbox"/> <input type="checkbox"/> <input type="checkbox"/> OFF <input type="checkbox"/> <input type="checkbox"/> <input type="checkbox"/> <input type="checkbox"/> <input type="checkbox"/> <input type="checkbox"/> <input type="checkbox"/> <input type="checkbox"/> 8 7 6 5 4 3 2 1
15和16	ON (开)	ON (开)	ON (开)	ON <input type="checkbox"/> <input type="checkbox"/> <input type="checkbox"/> <input type="checkbox"/> <input type="checkbox"/> <input type="checkbox"/> <input type="checkbox"/> <input type="checkbox"/> OFF <input type="checkbox"/> <input type="checkbox"/> <input type="checkbox"/> <input type="checkbox"/> <input type="checkbox"/> <input type="checkbox"/> <input type="checkbox"/> <input type="checkbox"/> 8 7 6 5 4 3 2 1

## Blackmagic Converters Setup的各项设置

Converters Setup实用程序可用于更改Mini Converter的各项设置并更新其软件。您可在“Video”（视频）、“Audio”（音频）以及“About”（关于）选项卡之间移动来实现各种设置。

“About”（关于）选项卡的相关内容在本手册“更改设置”部分进行了详述。

Mini Converter SDI to HDMI 4K的“Video”（视频）选项卡包含了如下设置：



“Clip video output to legal levels” 设置默认为勾选。这样可确保您的HDMI视频输出保持在合法电平范围内。

### Processing (处理) 菜单

- **HDMI Instant Lock (HDMI即时锁定)**

选择此复选框可启用HDMI即时锁定功能。启用HDMI即时锁定功能后，即使在信号源更改时，HDMI输出信号依然保持有效。这样一来，您的转换器就无需在显示视频输出画面之前先等待HDMI电视机或监视器进行锁定，因为该HDMI信号已被锁定。有一点请务必注意，该功能只能在更改使用相同视频格式的信号时适用。

这一HDMI即时锁定功能会造成视频和音频的短暂延迟，因此如果您要求的是零延迟转换输出，请取消勾选HDMI Instant Lock复选框来绕过HDMI即时锁定功能。

- **Clip HDMI Output to Legal Levels (HDMI限幅输出到合法电平)**

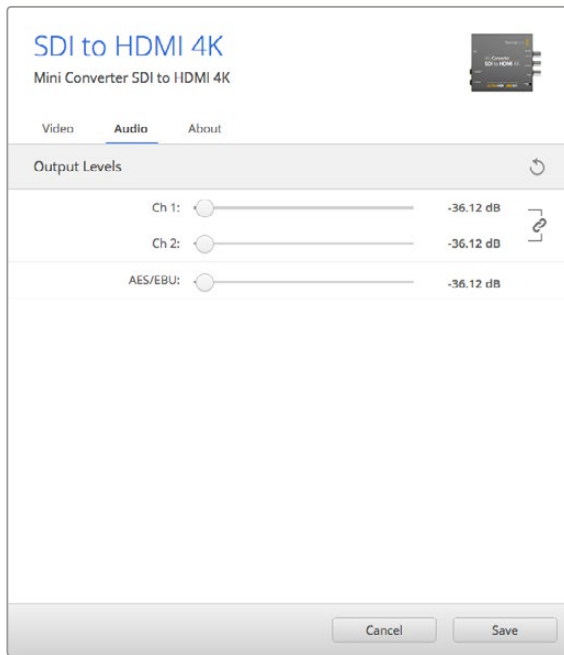
此复选框可控制SDI输入上的限幅以确保信号保持HDMI合法电平之内，默认情况下应处于勾选状态。

### Output Levels (输出电平) 菜单

该菜单可用于调整音频输出上的增益设置。您可以单独调整每个声道的音频电平，或点击每个滑块一侧的链接图标来统一调整。要将音频电平全部重置到0 dB，点击“Output Levels”菜单顶部的重置按钮即可。

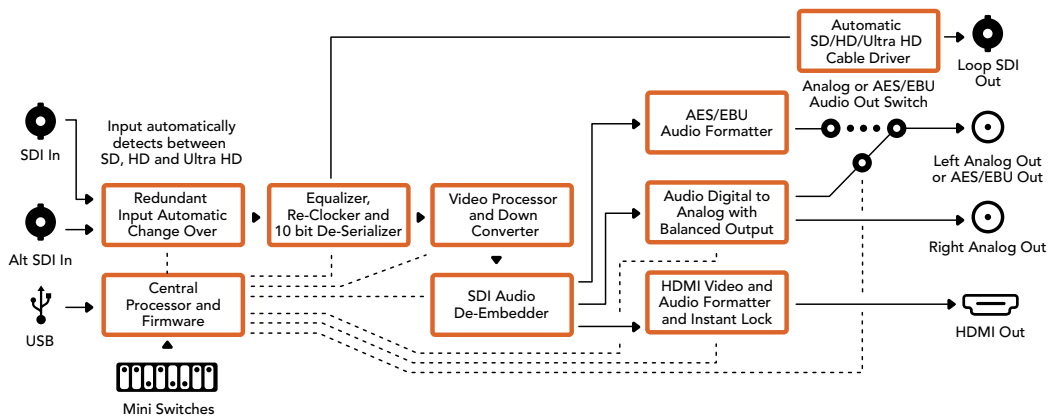
Mini Converter SDI to HDMI 4K的“Audio”（音频）选项卡包含了如下设置：





使用Converters Setup软件中的“Audio”（音频）选项卡来调整音频电平。

### Mini Converter SDI to HDMI 4K原理图

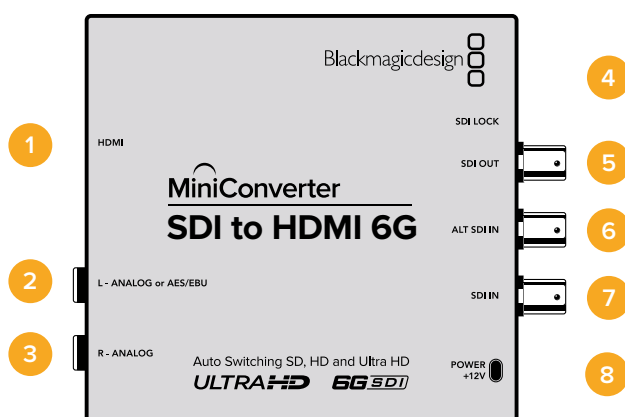


### Mini Converter SDI to HDMI 6G

Mini Converter SDI to HDMI 6G可将类型广泛的HDMI显示器和视频投影机连接到SDI设备上。Mini Converter SDI to HDMI 6G可自动切换SD-SDI、HD-SDI、3G-SDI以及6G-SDI输入源，将信号转换为带嵌入音频的HDMI信号，并提供平衡AES/EBU或模拟音频输出。

HDMI即时锁定功能可锁定HDMI输出，以便对使用相同格式的信号源进行更改时确保画面清晰稳定。如果您的转换器检测到HDMI输出上连接了HD监视器或电视机，并且其SDI输入上连接了Ultra HD信号源，那么转换器会自动对该信号进行下变换，以便您在HD监视器上查看Ultra HD信号源。

您还可以加载3D LUT, 为转换后的输出画面添加各类风格、调色以及色彩配置文件。3D LUT是基于硬件的标准33点精度查找表, 它拥有更高精度的色彩处理能力, 因此能为消费级电视机进行精确的色彩校准, 以便用于重要的调色工作。3D LUT还能进行色彩空间转换, 使不同的色彩空间能在各种显示器上使用。Mini Converter SDI to HDMI 6G附带两套默认LUT, 包括彩色转黑白, 以及Blackmagic摄影机默认色彩空间转REC 709。



## 各类接口

- 1 HDMI**  
HDMI A类视频输出。
- 2 L - ANALOG or AES/EBU**  
1/4英寸接口, 平衡左声道模拟音频或AES/EBU数字音频输出。
- 3 R - ANALOG**  
1/4英寸接口, 平衡右声道模拟音频输出。
- 4 MINI-B USB端口**  
可通过您的Mac OS X或Windows计算机连接到转换器设置软件。Mini Converter的内部软件也可通过这一USB端口更新。
- 5 SDI OUT**  
BNC接口, SDI视频输出。
- 6 ALT SDI IN**  
可提供冗余SDI输入作为备用选择。
- 7 SDI IN**  
主SDI输入。
- 8 POWER +12V**  
12V电源输入。

## 开关

Mini Converter SDI to HDMI 6G的开关可提供以下设置:

### 8号开关 - 模拟音频、AES/EBU音频

将8号开关设置为“OFF”(关)可选择平衡模拟音频, 设置为“ON”(开)则可选择数字AES/EBU音频输出。

### 7号开关 - LUT关, LUT开

将7号开关设置为“OFF”可禁用LUT, 设置为“ON”可启用LUT。

## 6号开关 - LUT 1, LUT 2

将6号开关设置为“OFF”可选择LUT 1, 设置为“ON”可启用LUT 2。

## 5号开关 - LUT开环通关, LUT开环通关

将5号开关设置为“OFF”可选择LUT开环通关, 设置为“ON”可选择LUT开环通关。

## 4号开关 - SDI音频解嵌Bit 2。

4、3、2号开关合在一起可提供8个开/关组合。拥有八种不同的组合可从SDI输入上解嵌出八对独立的声音并输出为HDMI、模拟或AES/EBU音频。

## 3号开关 - SDI音频解嵌Bit 1。

详见4号开关描述。

## 2号开关 - SDI音频解嵌Bit 0。

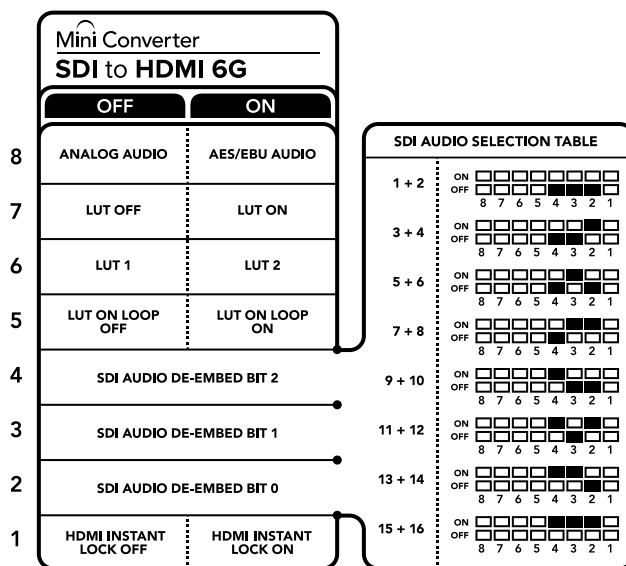
详见4号开关描述。

## 1号开关 - HDMI即时锁定关, HDMI即时锁定开

将1号开关设置为“OFF”可选择HDMI即时锁定关, 设置为“ON”可选择HDMI即时锁定开。

启用HDMI即时锁定功能后, 即使在信号源更改时, HDMI输出信号依然保持有效。这样一来, 您的转换器就无需在显示视频输出画面之前先等待HDMI电视机或监视器进行锁定, 因为该HDMI信号已被锁定。有一点请务必注意, 该功能只能在更改使用相同视频格式的信号时适用。

这一HDMI即时锁定功能会造成视频和音频的短暂延迟, 因此如果您要求的是零延迟转换输出, 请关闭HDMI Instant Lock来绕过HDMI即时锁定功能。



转换器背面印有开关示意图, 图中详细介绍了更改转换设置所需的全部信息。

## 小型开关设置示例

您可以尝试不同的开关设置, 比如将Blackmagic Mini Converter的8、4、3和2号开关置于“OFF”的位置, 从而将其设置为解嵌SDI声道1和2并输出模拟音频。

## SDI音频选项表

音频通道	4号开关	3号开关	2号开关	开关示意图
1和2	OFF (关)	OFF (关)	OFF (关)	
3和4	OFF (关)	OFF (关)	ON (开)	
5和6	OFF (关)	ON (开)	OFF (关)	
7和8	OFF (关)	ON (开)	ON (开)	
9和10	ON (开)	OFF (关)	OFF (关)	
11和12	ON (开)	OFF (关)	ON (开)	
13和14	ON (开)	ON (开)	OFF (关)	
15和16	ON (开)	ON (开)	ON (开)	

## Blackmagic Converters Setup的各项设置

Converters Setup实用程序可用于更改Mini Converter的各项设置并更新其软件。您可在“Video”（视频）、“Audio”（音频）以及“About”（关于）选项卡之间移动来实现各种设置。“About”（关于）选项卡的相关内容在本手册“更改设置”部分进行了详述。

Mini Converter SDI to HDMI 6G的“Video”（视频）选项卡包含了如下设置：



“Clip video output to legal levels”（视频限幅输出到合法电平）设置默认为勾选状态。这样可确保您的HDMI视频输出保持在合法电平范围内。

## Processing (处理) 菜单

- **33 Point 3D LUT (33点精度3D LUT)**

Mini Converter SDI to HDMI 6G支持.cube LUT文件, 这类文件可由DaVinci Resolve或其他可导出.cube文件的调色软件创建获得。

您可以点击每个LUT栏相对应的“Load”按钮, 从计算机上选择想要的.cube文件, 然后点击“OK”来加载2个独立的LUT。点击“Save”以确认设置。LUT的文件名将出现在每个“Load”按钮一侧, 以便您明确LUT 1和LUT 2分别使用的是哪个LUT。

- **什么是3D LUT?**

3D LUT, 也称“3D查找表”, 它是一个含有数值表格的文件, 这一表格可将视频的色彩空间转为的一组3D立方空间的新色彩数值。

这个色彩立方包含了由X、Y、Z的三维空间所定义的初级色彩的所有变化。这样一来, SDI输入视频中的RGB通道就能被重新映射到HDMI视频输出中的任何一个RGB输出色彩中。这一功能非常强大, 因为这意味着任何色彩都能被映射到另一个色彩上, 这样您就能执行非常精确的色彩调整来校准显示器; 或者当您处理不同类型的现场RAW摄影机文件, 并且想查看线性Gamma时, 可为显示器加载对数Gamma曲线。

其中一个加载的默认LUT可将您的输入视频转换为黑白画面, 3D LUT究竟有多强大可见一斑。这说明所有的输入RGB色彩都通过这一3D LUT被重新映射成了黑白RGB输出值, 并通过HDMI输出。您可以创建自己的3D LUT, 并可通过管理软件上传, DaVinci Resolve甚至还能将调色设置转换成3D LUT, 以便您随后上传到您的Mini Converter SDI to HDMI 6G。您可以输出SDI视频环通输出上的3D LUT, 从而将Mini Converter作为专门的3D LUT色彩处理器使用, 即使您并不使用HDMI输出也可如此操作!

更多关于如何创建3D LUT的.cube文件详情, 请参考DaVinci Resolve操作手册, 该手册可到Blackmagic Design官网[www.blackmagicdesign.com/cn/support](http://www.blackmagicdesign.com/cn/support)下载。

- **Clip Video Output to Legal Levels (HDMI限幅输出到合法电平)**

此复选框可控制SDI输入上的限幅以确保信号保持HDMI合法电平之内, 默认情况下应处于勾选状态。

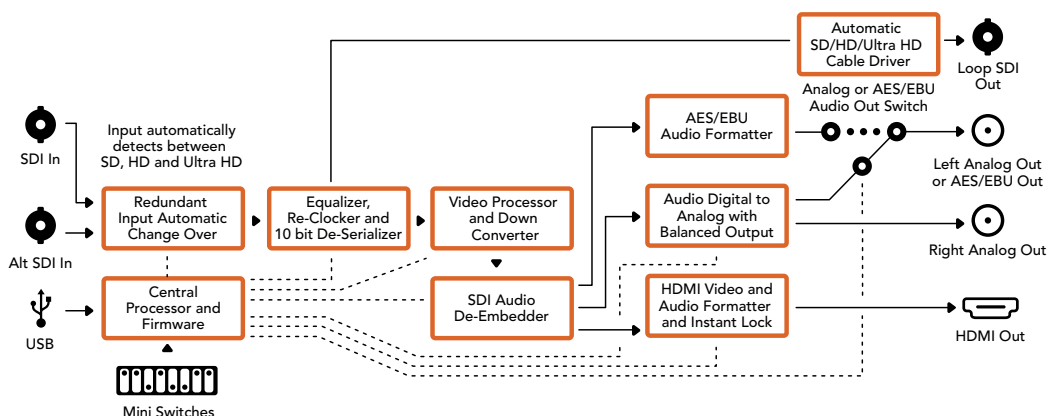
## Output Levels (输出电平) 菜单

这一菜单可用于调整音频输出的增益设置。您可以单独调整每个通道的音频电平, 或点击其滑块一侧的链接图标来统一调整每个通道。要将音频电平全部重置到0 dB, 点击“Output Levels”菜单顶部的重置按钮即可。Mini Converter SDI to HDMI 6G的“Audio” (音频) 选项卡包含了如下设置:



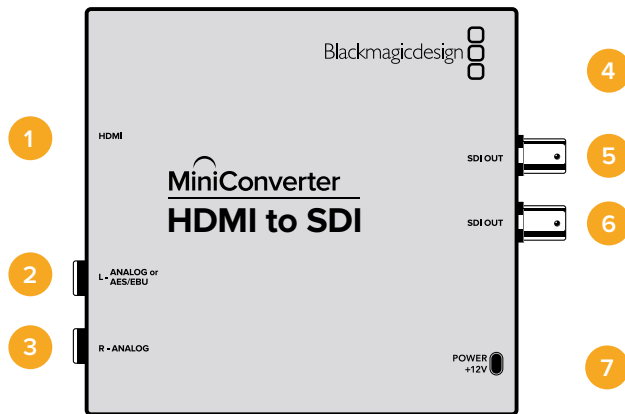
使用Converters Setup软件中的“Audio”（音频）选项卡来调整音频电平。

### Mini Converter SDI to HDMI 6G原理图



### Mini Converter HDMI to SDI

您的Mini Converter HDMI to SDI可将来自HDV摄影机和游戏机等设备的HDMI输出转换为SDI输出，并可选择嵌入来自HDMI、AES/EBU或平衡模拟输入上的音频。换言之，您可以使用最长的SDI线缆，将来自HDMI的视频信号发送到SDI上，甚至可以为兼容HDMI的计算机添加SDI输出。这款转换器还自带HD到SD下变频器。



## 接口

- 1 HDMI**  
HDMI A类视频输入。
- 2 L - ANALOG or AES/EBU**  
1/4英寸接口，平衡左声道模拟音频或AES/EBU数字音频输入。
- 3 R - ANALOG**  
1/4英寸接口，平衡右声道模拟音频输入。
- 4 MINI-B USB端口**  
可通过您的Mac OS X或Windows计算机连接到转换器设置软件。Mini Converter的内部软件也可通过这一USB端口更新。
- 5 SDI OUT**  
BNC接口，SDI视频输出。
- 6 SDI OUT**  
备用SDI视频输出。
- 7 POWER +12V**  
12V电源输入。

## 开关

Mini Converter HDMI to SDI的开关可提供以下设置：

### 8号开关 - 模拟音频、AES/EBU音频

将8号开关置为“OFF”（关）可选择平衡模拟音频，置为“ON”（开）则可选择数字AES/EBU音频输入。要使用这些输入，请务必将7号开关也设为“ON”（开）。

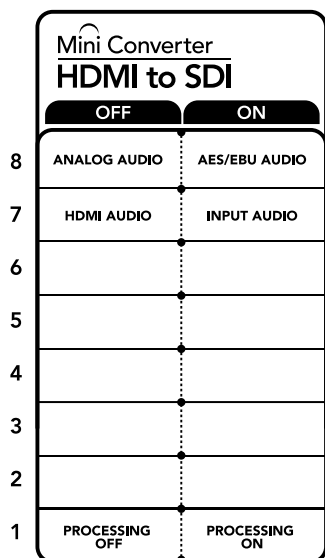
### 7号开关 - HDMI音频、输入音频

将7号开关置为“OFF”（关）可选择加嵌HDMI音频，置为“ON”（开）可选择加嵌模拟或AES/EBU音频。

### 1号开关 - 处理停止 - 处理开始

拨动1号开关可逐个选择3种不同宽高比的HD到SD下变换。例如，您每次在关和开之间切换可依次应用Anamorphic（变形）、Center Cut（左右切边）以及Letterbox（上下加黑边）的宽高比选项。将1号开关置为“OFF”（关）可绕过下变换器并输出HD。

通过USB连接Blackmagic Converters Setup软件时，您的下变换设置可通过该软件来控制。如果您希望转换器记住各项软件设置，请从计算机断开，开启转换器，并使用1号开关来设置下变换。



转换器背面印有开关示意图，图中详细介绍了更改转换设置所需的全部信息。

## Blackmagic Converters Setup的各项设置

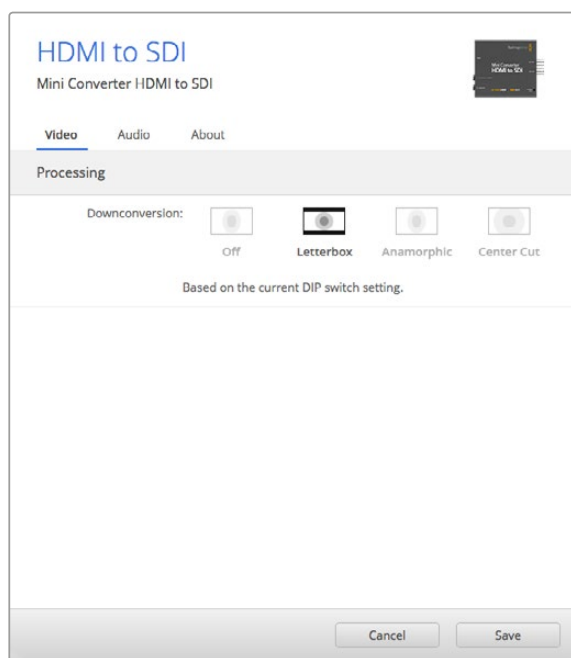
Converters Setup实用程序可用来更改Mini Converter的各项设置并更新其软件。您可在“Video”（视频）、“Audio”（音频）以及“About”（关于）选项卡之间移动来实现各种设置。

“About”（关于）选项卡的相关内容在本手册“更改设置”部分进行了详述。

Mini Converter HDMI to SDI的“Video”（视频）选项卡包含了如下设置：

### Processing (处理) 菜单

该菜单可用来选择HD到SD下变换画面的宽高比。选项包括Letterbox（上下加黑边）、Anamorphic（变形）、Center Cut（左右切边）或“Off”（不处理）。



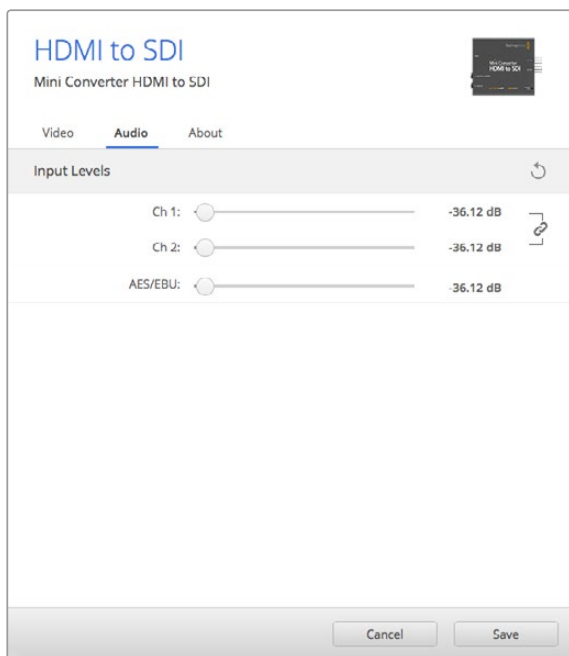
Converters Setup软件中的“Video”（视频）选项卡可用来调整各项处理设置。



Mini Converter HDMI to SDI的“Audio”（音频）选项卡包含了如下设置：

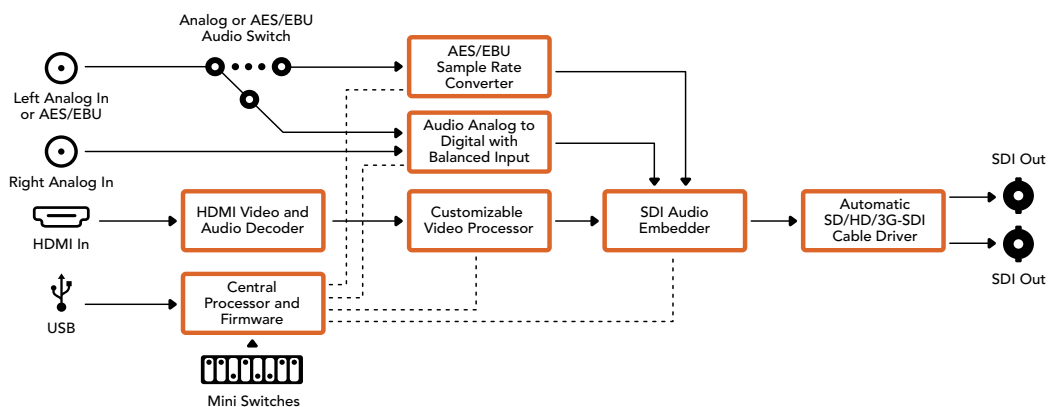
### Input Levels (输入电平) 菜单

此菜单可让您调整音频输入上的增益。您可以单独调整每个通道的音频电平，或点击其滑块一侧的链接图标来统一调整每个通道。要将音频电平全部重置到0 dB，点击“Input Levels”菜单顶部的重置按钮即可。



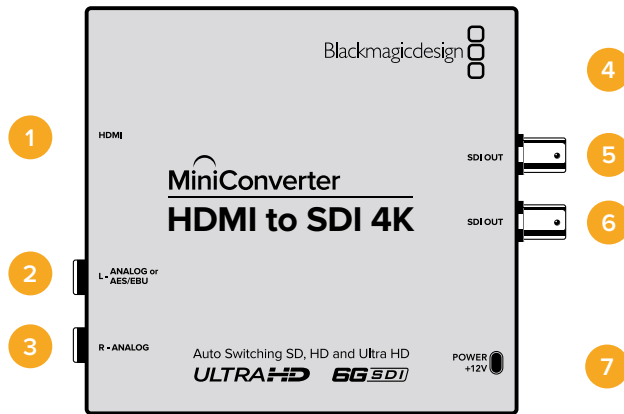
使用Converters Setup软件中的“Audio”（音频）选项卡来调整音频电平。

### Mini Converter HDMI to SDI原理图



## Mini Converter HDMI to SDI 4K

Mini Converter HDMI to SDI 4K和HDMI to SDI 4K Heavy Duty型号可将来自HDV摄影机和游戏机等设备的HDMI输出转换为SDI输出，并可选择嵌入来自HDMI、AES/EBU或平衡模拟输入上的音频。换言之，您可以使用最长的SDI线缆，将来自HDMI的视频信号发送到SDI上，甚至可以为兼容HDMI的计算机添加SDI输出。



## 接口

- 1 HDMI**  
HDMI A类视频输入。
- 2 L - ANALOG or AES/EBU**  
1/4英寸接口，平衡左声道模拟音频或AES/EBU数字音频输入。
- 3 R - ANALOG**  
1/4英寸接口，平衡右声道模拟音频输入。
- 4 MINI-B USB端口**  
可通过您的Mac OS X或Windows计算机连接到转换器设置软件。Mini Converter的内部软件也可通过这一USB端口更新。
- 5 SDI OUT**  
BNC接口，SDI视频输出。
- 6 SDI OUT**  
备用SDI视频输出。
- 7 POWER +12V**  
12V电源输入。

## 开关

**提示：** Mini Converter Heavy Duty型号的开关设有橡胶防尘盖，可起到保护作用。只要沿着保护盖的边缘打开就可以看到这些开关。

Mini Converter HDMI to SDI 4K的开关可提供以下设置：

### 8号开关 - 模拟音频、AES/EBU音频

将8号开关置为“OFF”（关）可选择平衡模拟音频，置为“ON”（开）则可选择数字AES/EBU音频输入。要使用这些输入，请务必将7号开关也设为“ON”（开）。

### 7号开关 - HDMI音频、输入音频

将7号开关置为“OFF”（关）可选择加嵌HDMI音频，置为“ON”（开）可选择加嵌模拟或AES/EBU音频。

## 2、1号开关 - 选择格式Bit 1、0

如果连接的HDMI源可以输出Ultra HD和HD，您可以通过对转换器进行设置，强制该信号源输出使用其中一种格式。当您想要在SDI设备上以HD记录或显示计算机桌面以便查看画面时，这一功能会非常有用。

它可能看起来类似上变换或下变换设置，但转换器实际的操作是命令源设备输出Ultra HD或HD视频，以便转换器输出未经上变换或下变换的源视频原生HD或Ultra HD分辨率。

要强制您的源视频使用HD、Ultra HD，或让转换器自动决定源设备的最佳分辨率，只需使用开关1和开关2的组合即可。

组合设置如下：

**AUTO - 1号开关置为OFF，2号开关置为OFF。**

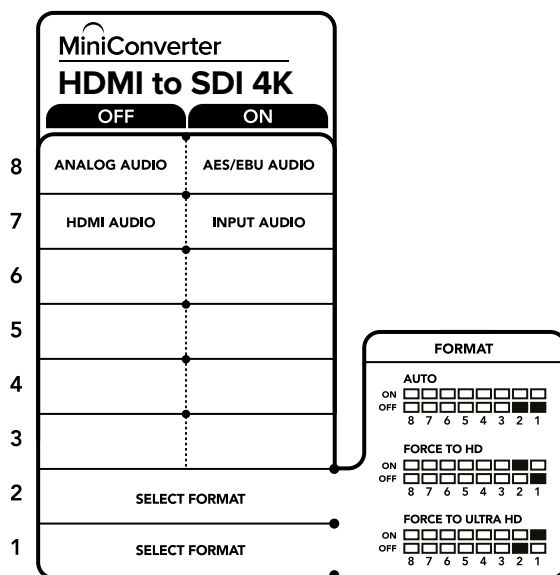
转换器将根据其输出能力，为源设备决定最佳HD或Ultra HD分辨率。

**FORCE TO HD - 1号开关置为OFF，2号开关置为ON。**

如果您的HDMI源设备可输出HD和Ultra HD，您的转换器将命令源设备输出HD视频。

**FORCE TO ULTRA HD - 1号开关置为ON，2号开关置为OFF。**

如果您的HDMI源设备可输出HD和Ultra HD，您的转换器将命令源设备输出Ultra HD视频。



转换器背面印有开关示意图，图中详细介绍了更改转换设置所需的全部信息。

## Blackmagic Converters Setup的各项设置

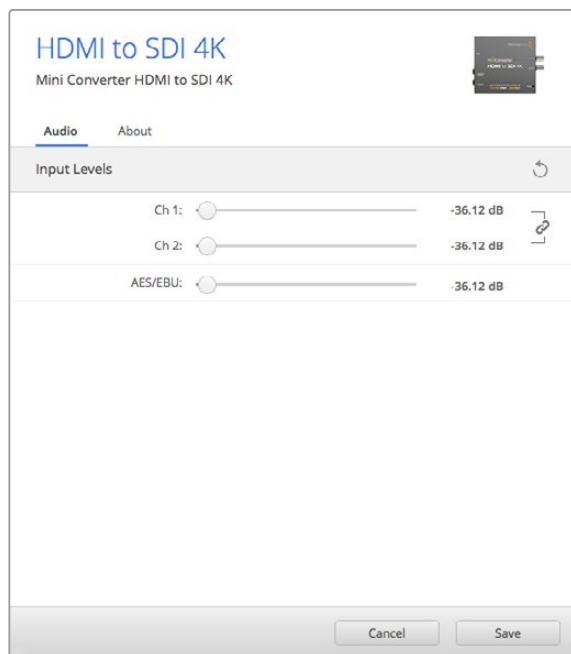
Converters Setup实用程序可用于更改Mini Converter的各项设置并更新其软件。您可在“Audio”（音频）以及“About”（关于）选项卡之间移动来实现各种设置。

“About”（关于）选项卡的相关内容在本手册“更改设置”部分进行了详述。

Mini Converter HDMI to SDI 4K的“Audio”（音频）选项卡包含了如下设置：

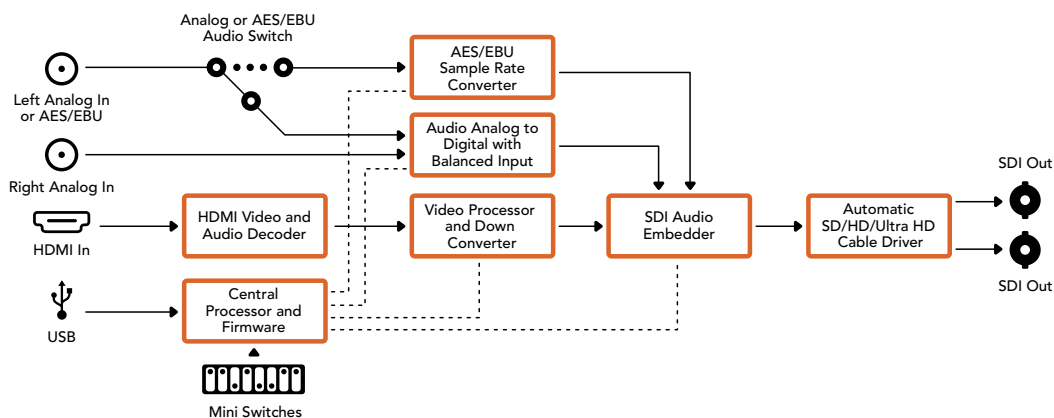
## Input Levels (输入电平) 菜单

此菜单可让您调整音频输入上的增益。您可以单独调整每个通道的音频电平，或点击其滑块一侧的链接图标来统一调整每个通道。要将音频电平全部重置到0 dB，点击“Input Levels”菜单顶部的重置按钮即可。



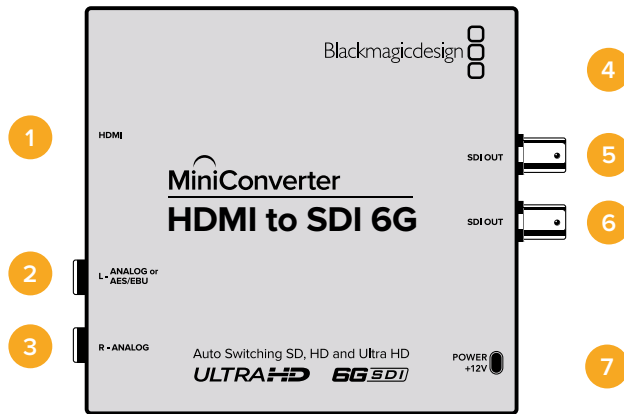
使用Converters Setup软件中的“Audio”（音频）选项卡来调整音频电平。

## Mini Converter HDMI to SDI 4K原理图



## Mini Converter HDMI to SDI 6G

您的Mini Converter HDMI to SDI 6G可将来自HDV摄影机和游戏机等设备的HDMI输出转换为SDI输出，并可选择嵌入来自HDMI、AES/EBU或平衡模拟输入上的音频。换言之，您可以使用最长的SDI线缆，将来自HDMI的视频信号发送到SDI上，甚至可以为配备HDMI兼容的计算机添加SDI输出。



## 各类接口

- 1 HDMI**  
HDMI A类视频输入。
- 2 L - ANALOG or AES/EBU**  
1/4英寸接口，平衡左声道模拟音频或AES/EBU数字音频输入。
- 3 R - ANALOG**  
1/4英寸接口，平衡右声道模拟音频输入。
- 4 MINI-B USB端口**  
可通过您的Mac OS X或Windows计算机连接到转换器设置软件。Mini Converter的内部软件也可通过这一USB端口更新。
- 5 SDI OUT**  
BNC接口，SDI视频输出。
- 6 SDI OUT**  
备用SDI视频输出。
- 7 POWER +12V**  
12V电源输入。

## 开关

Mini Converter HDMI to SDI 6G的小型开关可提供以下设置：

### 8号开关 - 模拟音频、AES/EBU音频

将8号开关设置为“OFF”（关）可选择平衡模拟音频，设置为“ON”（开）则可选择数字AES/EBU音频输入。要使用这些输入，请务必将7号开关也设为“ON”（开）。

### 7号开关 - HDMI音频、输入音频

将7号开关设置为“OFF”（关）可选择加嵌HDMI音频，设置为“ON”（开）可选择加嵌模拟或AES/EBU音频。

### 6号开关 - 3G B级输出（普通），3G A级输出

将6号开关设置为“OFF”可选择3G B级输出，设置为“ON”可选择3G A级输出

## 2、1号开关 - 选择格式Bit 1、0

如果连接的HDMI源可以输出Ultra HD和HD，您可以通过对转换器进行设置，强制该信号源输出使用其中一种格式。当您想要在SDI设备上以HD记录或显示计算机桌面以便查看画面时，这一功能会非常有用。

它可能看起来类似上变换或下变换设置，但转换器实际的操作是命令源设备输出Ultra HD或HD视频，以便转换器输出未经上变换或下变换的源视频原生HD或Ultra HD分辨率。

要强制您的源视频使用HD、Ultra HD，或让转换器自动决定源设备的最佳分辨率，只需使用开关1和开关2的组合即可。

组合设置如下：

### AUTO - 1号开关置为OFF，2号开关置为OFF

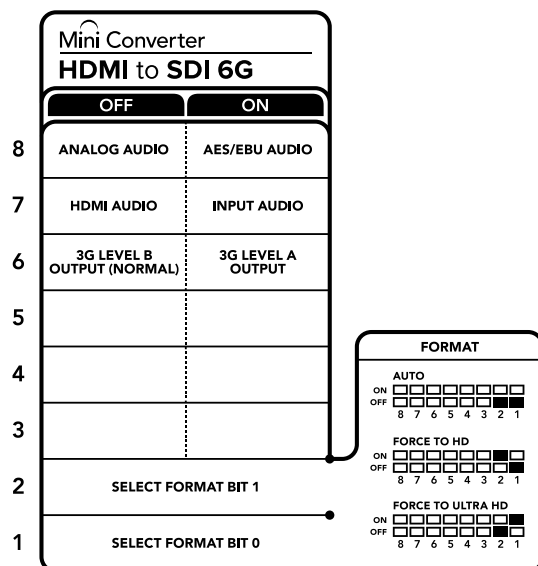
转换器将根据其输出能力，为源设备决定最佳HD或Ultra HD分辨率。

### FORCE TO HD - 1号开关置为OFF，2号开关置为ON

如果您的HDMI源设备可输出HD和Ultra HD，您的转换器将命令源设备输出HD视频。

### FORCE TO ULTRA HD - 1号开关置为ON，2号开关置为OFF

如果您的HDMI源设备可输出HD和Ultra HD，您的转换器将命令源设备输出Ultra HD视频。



转换器背面印有开关示意图，图中详细介绍了更改转换设置所需的全部信息。

## Blackmagic Converters Setup的各项设置

Converters Setup实用程序可用于更改Mini Converter的各项设置并更新其软件。您可在“Audio”（音频）以及“About”（关于）选项卡之间移动来实现各种设置。“About”（关于）选项卡的相关内容在本手册“更改设置”部分进行了详述。Mini Converter HDMI to SDI 6G的“Audio”（音频）选项卡包含了如下设置：

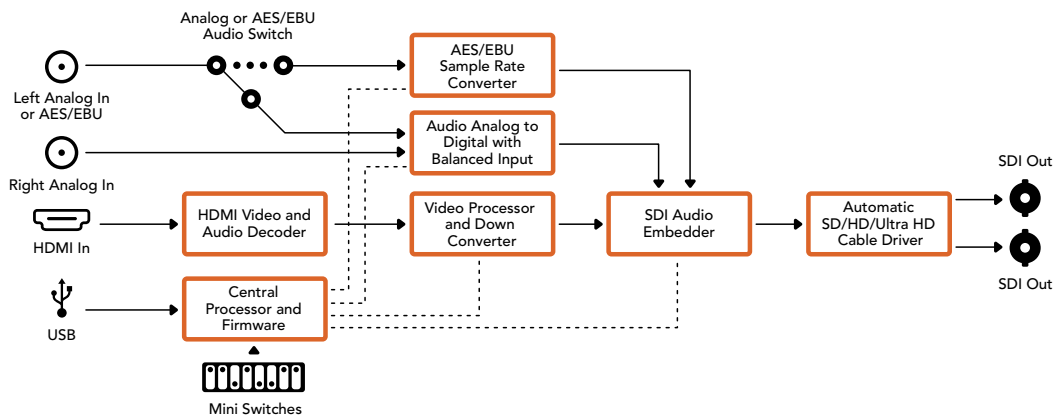
### Input Levels (输入电平) 菜单

此菜单可让您调整音频输入上的增益。您可以单独调整每个通道的音频电平，或点击其滑块一侧的链接图标来统一调整每个通道。要将音频电平全部重置到0 dB，点击“Input Levels”菜单顶部的重置按钮即可。



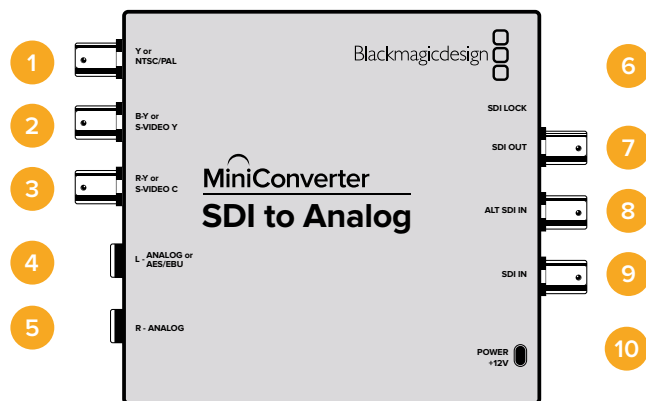
使用Converters Setup软件中的“Audio”（音频）选项卡来调整音频电平。

## Mini Converter HDMI to SDI 6G原理图



## Mini Converter SDI to Analog

Blackmagic Mini Converter SDI to Analog型号可将SD/HD-SDI转换为模拟分量、NTSC和PAL视频输出，以及平衡AES/EBU或模拟音频输出。您的转换器可轻松连接到模拟视频监视器和Betacam SP以及VHS等录像机设备。转换器内置的硬件下变换器可让您将HD-SDI视频连接到SD模拟设备。您甚至可以从16路解嵌SDI音频通道输出各对模拟音频。



## 接口

- 1 Y or NTSC/PAL**  
BNC接口，模拟分量Y或复合NTSC/PAL输出。
- 2 B-Y or S-VIDEO Y**  
BNC接口，模拟分量B-Y或S-Video Y输出。
- 3 R-Y or S-VIDEO C**  
BNC接口，模拟分量R-Y或S-Video C输出。
- 4 L - ANALOG or AES/EBU**  
1/4英寸接口，平衡左声道模拟音频或AES/EBU数字音频输出。
- 5 R - ANALOG**  
1/4英寸接口，平衡右声道模拟音频输出。
- 6 MINI-B USB端口**
- 7** 可通过您的Mac OS X或Windows计算机连接到转换器设置软件。Mini Converter的内部软件也可通过这一USB端口更新。
- 8 SDI OUT**  
BNC接口，SDI视频输出。
- 9 ALT SDI IN**  
可提供冗余SDI输入作为备用选择。
- 10 SDI IN**  
主SDI输入。
- 11 POWER +12V**  
12V电源输入。

## 开关

### 8号开关 - 模拟音频、AES/EBU音频

将8号开关置为“OFF”（关）可选择平衡模拟音频，置为“ON”（开）则可选择数字AES/EBU音频输出。

### 7号开关 - 7.5 IRE - 0.0 IRE

美国及其它使用NTSC 7.5黑电平设置的国家应将7号开关置为“OFF”（关）。其它不使用7.5黑电平设置的国家则应将7号开关置为“ON”（开）。此设置仅对复合或S-Video输出有影响。



## 6号开关 - SMPTE电平 - Betacam电平

将6号开关置为“OFF”（关）可选择SMPTE电平，置为“ON”（开）则可选择Betacam电平。SMPTE电平使用更为广泛，甚至是Betacam SP录机也可以使用SMPTE电平，因此仅在您十分确定使用Betacam电平时再将此开关设置为Betacam选项。

## 5号开关 - 分量、复合或S-Video

将5号开关置为“OFF”（关）可选择模拟分量视频输出，置为“ON”（开）则可选择复合和S-Video输出。

想要通过S-Video和复合输出来显示HD视频输入，请务必将下变换置为“ON”（开）。分量模拟视频支持HD和SD视频。

## 4号开关 - SDI音频解嵌Bit 2

4、3、2号开关合在一起可提供8个开/关组合。拥有八种不同的组合可从SDI输入上解嵌出八对独立的声道。

## 3号开关 - SDI音频解嵌Bit 1

详见4号开关描述。

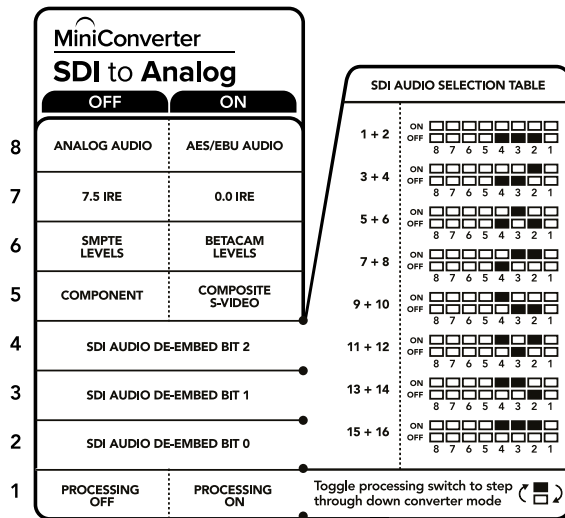
## 2号开关 - SDI音频解嵌Bit 0

详见4号开关描述。

## 1号开关 - 处理停止 - 处理开始

拨动1号开关可逐个选择3种不同宽高比的HD到SD下变换。例如，您每次在关和开之间切换可依次应用Anamorphic（变形）、Center Cut（左右切边）以及Letterbox（上下加黑边）的宽高比选项。将1号开关置为“OFF”（关）可绕过下变换器并输出HD。

通过USB连接Blackmagic Converters Setup软件时，您的下变换设置可通过该软件来控制。如果您希望转换器记住各项软件设置，请从计算机断开，开启转换器，并使用1号开关来设置下变换。



转换器背面印有开关示意图，图中详细介绍了更改转换设置所需的全部信息。

## 开关设置示例

您可以尝试不同的开关设置，比如将Blackmagic Mini Converter的8、5、4、3和2号开关置于“OFF”的位置，从而将其设置输出为高清复合视频和模拟声道1和2。

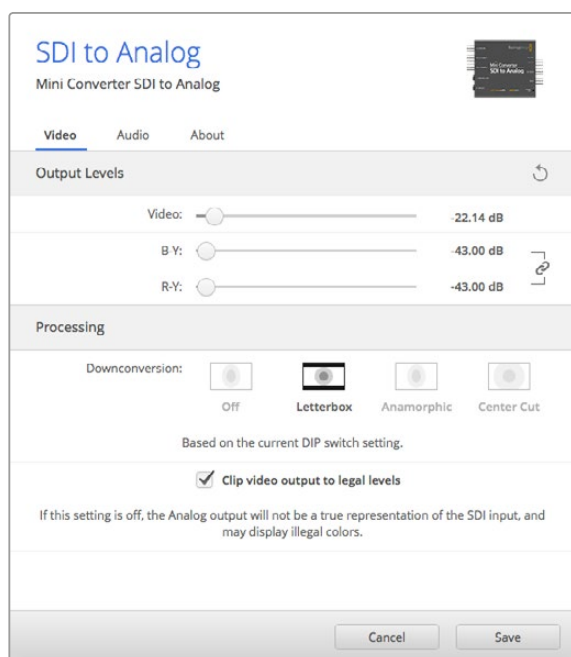
## SDI音频选项表

音频通道	4号开关	3号开关	2号开关	开关示意图
1和2	OFF (关)	OFF (关)	OFF (关)	ON OFF 8 7 6 5 4 3 2 1
3和4	OFF (关)	OFF (关)	ON (开)	ON OFF 8 7 6 5 4 3 2 1
5和6	OFF (关)	ON (开)	OFF (关)	ON OFF 8 7 6 5 4 3 2 1
7和8	OFF (关)	ON (开)	ON (开)	ON OFF 8 7 6 5 4 3 2 1
9和10	ON (开)	OFF (关)	OFF (关)	ON OFF 8 7 6 5 4 3 2 1
11和12	ON (开)	OFF (关)	ON (开)	ON OFF 8 7 6 5 4 3 2 1
13和14	ON (开)	ON (开)	OFF (关)	ON OFF 8 7 6 5 4 3 2 1
15和16	ON (开)	ON (开)	ON (开)	ON OFF 8 7 6 5 4 3 2 1

## Blackmagic Converters Setup的各项设置

Converters Setup实用程序可用于更改Mini Converter的各项设置并更新其软件。您可在“Video”（视频）、“Audio”（音频）以及“About”（关于）选项卡之间移动来实现各种设置。

“About”（关于）选项卡的相关内容在本手册“更改设置”部分进行了详述。



Converters Setup软件中的“Video”（视频）选项卡可用于调整模拟视频级别并各项处理设置。

## Processing (处理) 菜单

此菜单可让您设置下变换视频的宽高比。选项包括Letterbox (上下加黑边)、Anamorphic (变形)、Center Cut (左右切边) 或不处理。

“Clip video output to legal levels” 复选框可控制SDI输入上的限幅, 以确保信号保持在HDMI合法电平之内, 默认情况下应处于启用状态。

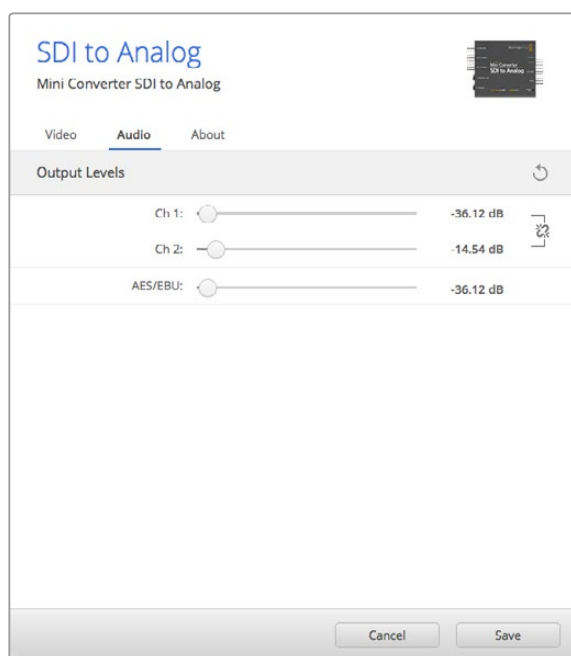
## Output Levels (输出电平) 菜单

该菜单可用来单独设置亮度和色度电平, 以及B-Y和R-Y分量电平。

Mini Converter SDI to Analog的“Audio” (音频) 选项卡包含了如下设置:

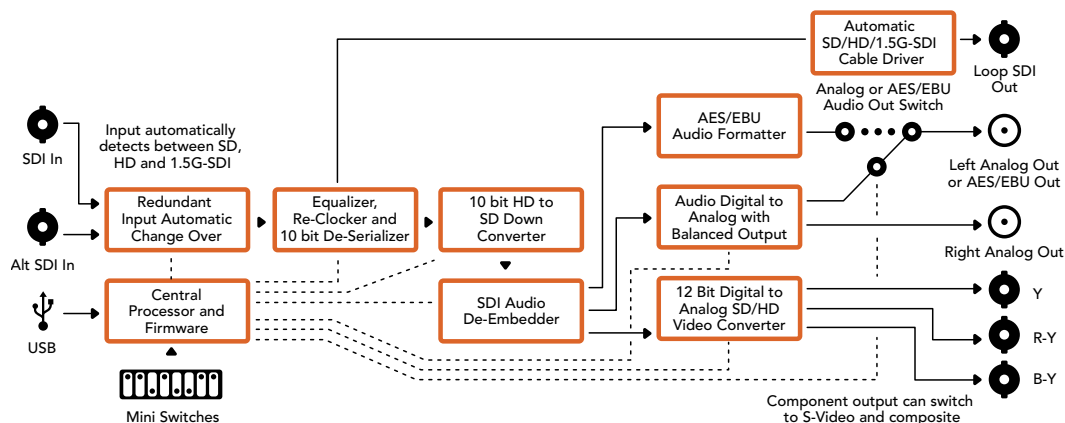
## Output Levels (输出电平) 菜单

这一菜单可用来调整音频输出的增益设置。您可以单独调整每个通道的音频电平, 或点击其滑块一侧的链接图标来统一调整每个通道。要将音频电平全部重置到0 dB, 点击“Output Levels”菜单顶部的重置按钮即可。



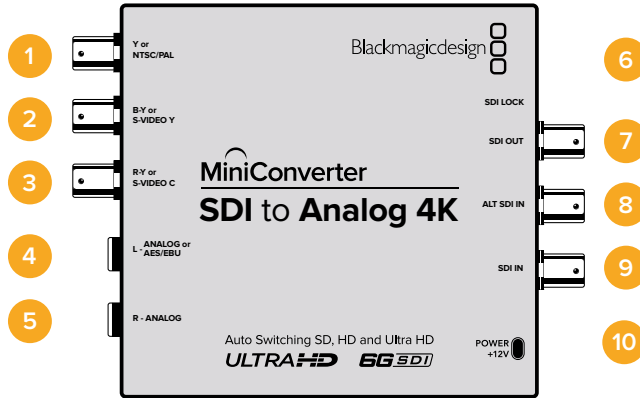
使用Converters Setup软件中的“Audio” (音频) 选项卡来调整模拟音频电平。

## Mini Converter SDI to Analog原理图



## Mini Converter SDI to Analog 4K

Mini Converter SDI to Analog 4K和SDI to Analog 4K Heavy Duty型号可将SD/HD/3G/6G-SDI转换为模拟分量、NTSC和PAL视频输出，以及平衡AES/EBU或模拟音频输出。它的下变换器可将6G-SDI视频连接到SD或HD模拟设备，轻松连接如Betacam SP和VHS等视频监视器和录机设备。您甚至可以从16路解嵌SDI音频通道输出各对模拟音频。



### 接口

- 1 Y or NTSC/PAL**  
BNC接口，模拟分量Y或复合NTSC/PAL输出。
- 2 B-Y or S-VIDEO Y**  
BNC接口，模拟分量B-Y或S-Video Y输出。
- 3 R-Y or S-VIDEO C**  
BNC接口，模拟分量R-Y或S-Video C输出。
- 4 L - ANALOG or AES/EBU**  
1/4英寸接口，平衡左声道模拟音频或AES/EBU数字音频输出。
- 5 R - ANALOG**  
1/4英寸接口，平衡右声道模拟音频输出。
- 6 MINI-B USB端口**  
可通过您的Mac OS X或Windows计算机连接到转换器设置软件。Mini Converter的内部软件也可通过这一USB端口更新。
- 7 SDI OUT**  
BNC接口，SDI视频输出。
- 8 ALT SDI IN**  
可提供冗余SDI输入作为备用选择。
- 9 SDI IN**  
主SDI输入。
- 10 POWER +12V**  
12V电源输入。

## 开关

**提示:** Mini Converter Heavy Duty型号的开关设有橡胶防尘盖,可起到保护作用。只要沿着保护盖的边缘打开就可以看到这些开关。

Mini Converter SDI to Analog 4K的开关可提供以下设置:

### 8号开关 - 模拟音频、AES/EBU音频

将8号开关置为“OFF”(关)可选择平衡模拟音频,置为“ON”(开)则可选择数字AES/EBU音频输出。

### 7号开关 - 7.5 IRE - 0.0 IRE

美国及其它使用NTSC 7.5黑电平设置的国家应将7号开关置为“OFF”(关)。其它不使用7.5黑电平设置的国家则应将7号开关置为“ON”(开)。此设置仅对复合或S-Video输出有影响。

### 6号开关 - SMPTE电平 - Betacam电平

将6号开关置为“OFF”(关)可选择SMPTE电平,置为“ON”(开)则可选择Betacam电平。SMPTE电平使用更为广泛,甚至是Betacam SP录机也可以使用SMPTE电平,因此仅在您十分确定使用Betacam电平时再将此开关设置为Betacam选项。

### 5号开关 - 分量、复合或S-Video

将5号开关置为“OFF”(关)可选择模拟分量视频输出,置为“ON”(开)则可选择复合和S-Video输出。

想要通过S-Video和复合输出将HD视频输入作为SD显示,请务必将下变换置为“ON”(开)。分量模拟视频支持HD和SD视频。

### 4、3和2号开关 - SDI音频解嵌

4、3、2号开关合在一起可提供8个开/关组合。拥有八种不同的组合可从SDI输入上解嵌出八对独立的声道。

### 1号开关 - 处理停止 - 处理开始

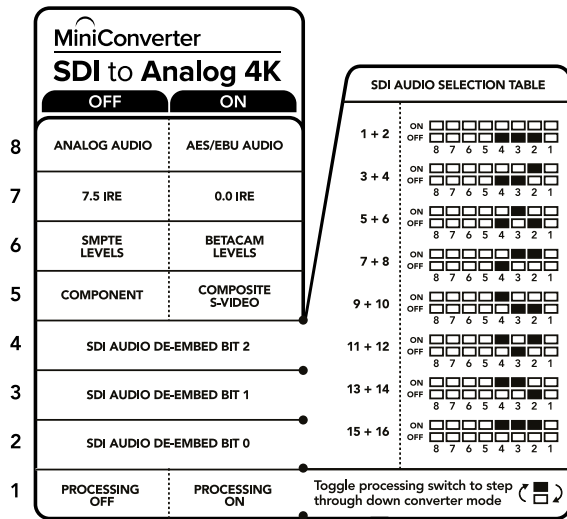
拨动1号开关可逐个选择3种不同宽高比的下变换。您每次在关和开之间切换可依次应用Anamorphic(变形)、Center Cut(左右切边)以及Letterbox(上下加黑边)的宽高比选项。

如输入HD和Ultra HD,请将开关置为“OFF”(关),以便通过复合输出接口输出HD模拟信号。

将开关置为“ON”(开),Ultra HD输入将根据其它开关设置相应下变换到模拟PAL/NTSC或HD分量信号。4K DCI将在分量HD输出上被裁切。

将开关置为“ON”(开),HD输入将根据其它开关设置相应下变换到模拟PAL/NTSC或分量信号。

通过USB连接Blackmagic Converters Setup软件时,您的下变换设置可通过该软件来控制。如果您希望转换器记住各项软件设置,请从计算机断开,开启转换器,并使用1号开关来设置下变换。



转换器背面印有开关示意图，图中详细介绍了更改转换设置所需的全部信息。

### 开关设置示例：

您可以尝试不同的开关设置，比如将Blackmagic Mini Converter的8、5、4、3和2号开关置于“OFF”的位置，从而将其设置输出高清复合视频和模拟声道1和2。

### 音频选项表

音频通道	4号开关	3号开关	2号开关	开关示意图
1和2	OFF (关)	OFF (关)	OFF (关)	ON OFF 8 7 6 5 4 3 2 1
3和4	OFF (关)	OFF (关)	ON (开)	ON OFF 8 7 6 5 4 3 2 1
5和6	OFF (关)	ON (开)	OFF (关)	ON OFF 8 7 6 5 4 3 2 1
7和8	OFF (关)	ON (开)	ON (开)	ON OFF 8 7 6 5 4 3 2 1
9和10	ON (开)	OFF (关)	OFF (关)	ON OFF 8 7 6 5 4 3 2 1
11和12	ON (开)	OFF (关)	ON (开)	ON OFF 8 7 6 5 4 3 2 1
13和14	ON (开)	ON (开)	OFF (关)	ON OFF 8 7 6 5 4 3 2 1
15和16	ON (开)	ON (开)	ON (开)	ON OFF 8 7 6 5 4 3 2 1

## Blackmagic Converters Setup的各项设置

Converters Setup实用程序可用于更改Mini Converter的各项设置并更新其软件。您可在“Video”（视频）、“Audio”（音频）以及“About”（关于）选项卡之间移动来实现各种设置。

“About”（关于）选项卡的相关内容在本手册“更改设置”部分进行了详述。

Mini Converter SDI to Analog 4K的“Video”（视频）选项卡包含了如下设置：

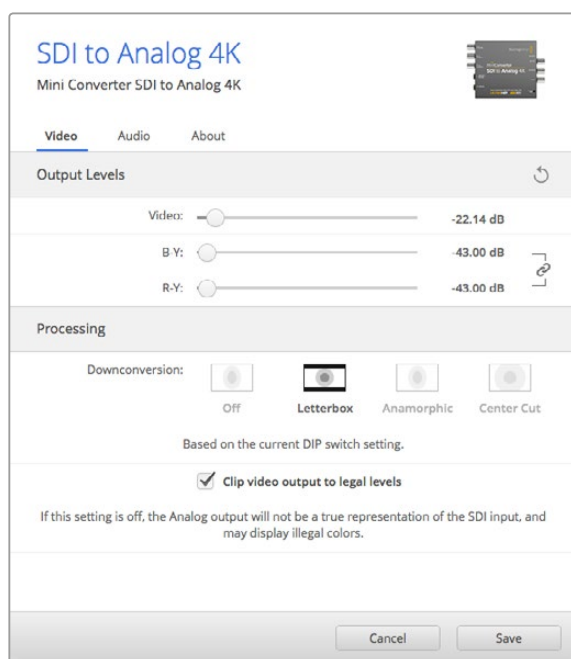
### Output Levels (输出电平) 菜单

该菜单可用于单独设置亮度和色度电平，以及B-Y和R-Y分量电平。

### Processing (处理) 菜单

此菜单可让您设置下变换视频的宽高比。选项包括Letterbox（上下加黑边）、Anamorphic（变形）、Center Cut（左右切边）或不处理。

“Clip video output to legal levels”复选框可控制SDI输入上的限幅，以确保信号保持在HDMI合法电平之内，默认情况下应处于启用状态。

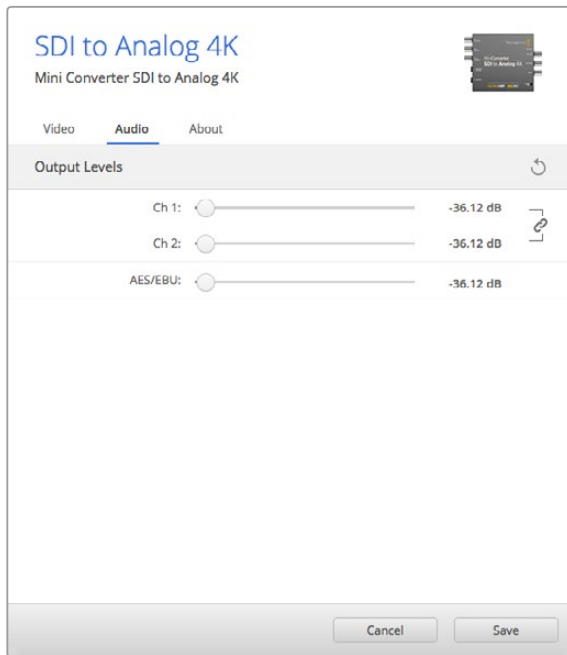


Converters Setup软件中的“Video”（视频）选项卡可用于调整模拟视频级别并各项处理设置。

Mini Converter SDI to Analog 4K的“Audio”（音频）选项卡包含了如下设置：

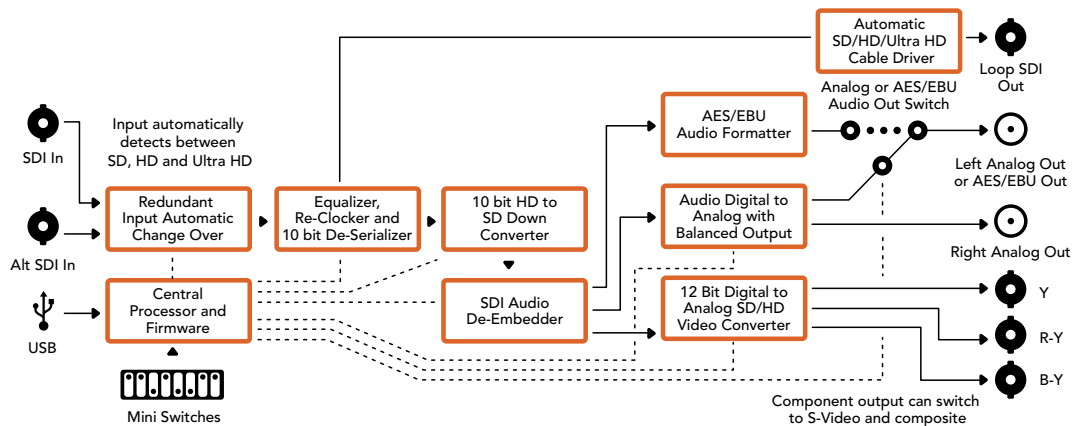
### Output Levels (输出电平) 菜单

此菜单可让您调整音频输入上的增益。您可以单独调整每个通道的音频电平，或点击其滑块一侧的链接图标来统一调整每个通道。要将音频电平全部重置到0 dB，点击“Output Levels”菜单顶部的重置按钮即可。



使用Converters Setup软件中的“Audio”（音频）选项卡来调整模拟音频电平。

## Mini Converter SDI to Analog 4K原理图



## Mini Converter Analog to SDI

Mini Converter Analog to SDI和Analog to SDI Heavy Duty型号可将Betacam SP录机、HDV摄像机、游戏机等模拟设备视频和音频信号转换为SD/HD-SDI视频信号。支持的模拟和数字格式包括SD/HD分量、S-Video或复合NTSC和PAL等一系列选项。转换器的HD-SDI输出包括加嵌数字AES/EBU或模拟音频选项。





## 接口

- 1 Y or NTSC/PAL**  
BNC接口，模拟分量Y、复合或NTSC/PAL输入。
- 2 B-Y or S-VIDEO Y**  
BNC接口，模拟分量B-Y或S-Video Y输入。
- 3 R-Y or S-VIDEO C**  
BNC接口，模拟分量R-Y或S-Video C输入。
- 4 L - ANALOG or AES/EBU**  
1/4英寸接口，平衡左声道模拟音频或AES/EBU数字音频输入。
- 5 R - ANALOG**  
1/4英寸接口，平衡右声道模拟音频输入。
- 6 MINI-B USB端口**  
可通过您的Mac OS X或Windows计算机连接到转换器设置软件。Mini Converter的内部软件也可通过这一USB端口更新。
- 7 SDI OUT**  
BNC接口，SDI视频输出。
- 8 SDI OUT**  
备用SDI视频输出。
- 9 POWER +12V**  
12V电源输入。

## 开关

**提示:** Mini Converter Heavy Duty型号的开关设有橡胶防尘盖，可起到保护作用。只要沿着保护盖的边缘打开就可以看到这些开关。

Mini Converter Analog to SDI的开关可提供以下设置功能：

### 8号开关 - 模拟音频、AES/EBU音频

将8号开关置为“OFF”（关）可选择平衡模拟音频，置为“ON”（开）则可选择数字AES/EBU音频输入。

### 7号开关 - 7.5 IRE - 0.0 IRE

美国及其它使用NTSC 7.5黑电平设置的国家应将7号开关置为“OFF”（关）。如果您位于日本等不使用7.5黑电平设置的国家和地区，请将7号开关置为“ON”（开）。此设置仅对复合或S-Video输出有影响。

### 6号开关 - SMPTE电平 - Betacam电平

此设置具有SMPTE或Betacam视频电平两个选项。将6号开关置为“OFF”（关）可选择SMPTE电平，置为“ON”（开）则可选择Betacam电平。SMPTE电平使用更为广泛，甚至是Betacam SP录机也可以使用SMPTE电平，因此仅在您十分确定使用Betacam电平时再将此开关设置为Betacam选项。

### 5号开关 - 分量、复合或S-Video

将5号开关置为“OFF”（关）可选择模拟分量视频输入，置为“ON”（开）则可选择复合视频和S-Video模拟输入。

Mini Converter		
Analog to SDI		
	OFF	ON
8	ANALOG AUDIO	AES/EBU AUDIO
7	7.5 IRE	0.0 IRE
6	SMPTE LEVELS	BETACAM LEVELS
5	COMPONENT	COMPOSITE or S-VIDEO
4	COMPOSITE	S-VIDEO
3		
2		
1	PROCESSING OFF	PROCESSING ON

转换器背面印有开关示意图，图中详细介绍了更改转换设置所需的全部信息。

### 4号开关 - 复合、S-Video

将4号开关置为“OFF”（关）选择复合视频输入，置为“ON”（开）则可选择S-Video输入。

### 1号开关 - 处理停止 - 处理开始

此开关不使用。

## 开关设置示例

您可以尝试不同的开关设置，比如将8号和5号开关置为“OFF”（关）的位置，从而将Blackmagic Mini Converter设为复合视频和模拟音频输入。

## Blackmagic Converters Setup的各项设置

Converters Setup实用程序可用来更改Mini Converter的各项设置并更新其软件。您可在“Video”（视频）、“Audio”（音频）以及“About”（关于）选项卡之间移动来实现各种设置。

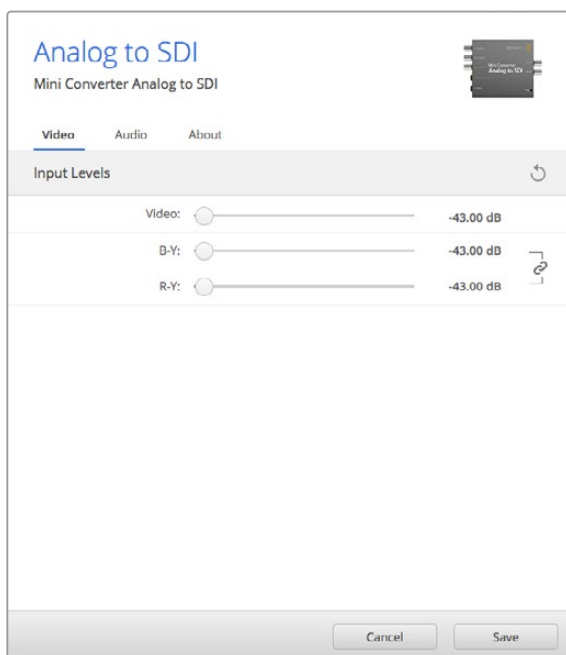
“About”（关于）选项卡的相关内容在本手册“更改设置”部分进行了详述。

Mini Converter SDI to Analog的“Video”（视频）选项卡包含了如下设置：

## Input Levels (输入电平) 菜单

该菜单可用于单独设置亮度和色度电平, 以及B-Y和R-Y分量电平。

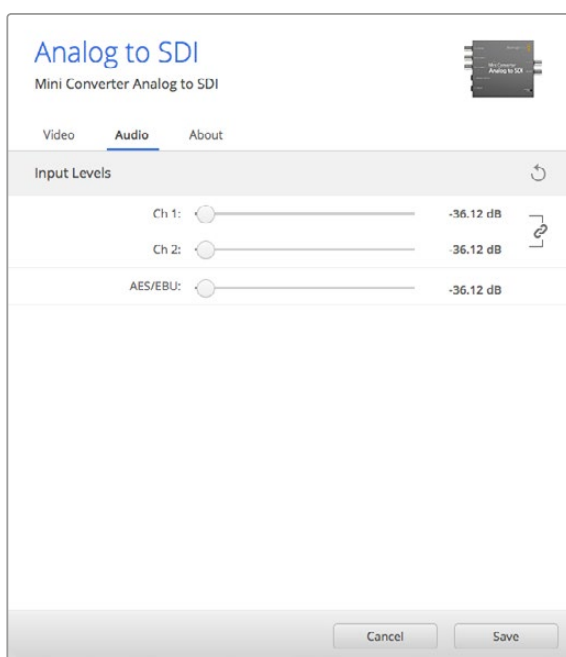
Mini Converter SDI to Analog的“Audio” (音频) 选项卡包含了如下设置:



Converters Setup软件中的“Video” (视频) 选项卡可用于调整视频电平。

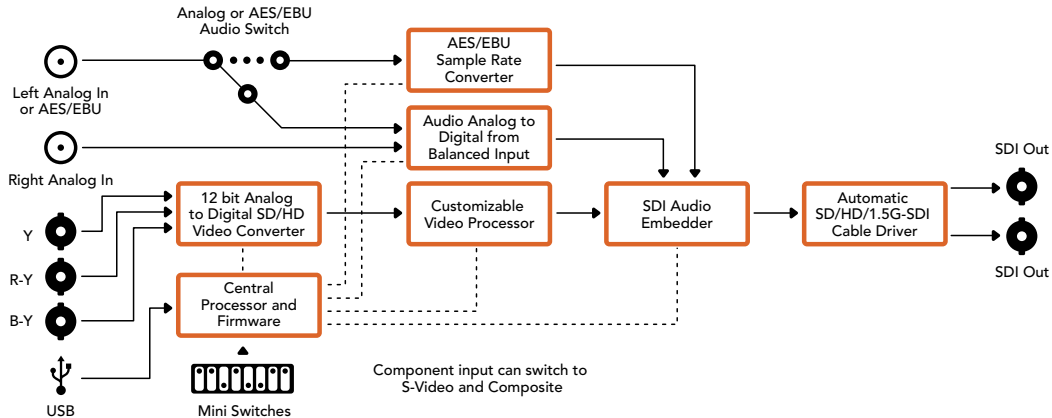
## Input Levels (输入电平) 菜单

此菜单可让您调整音频输入上的增益。您可以单独调整每个通道的音频电平, 或点击其滑块一侧的链接图标来统一调整每个通道。要将音频电平全部重置到0 dB, 点击“Input Levels”菜单顶部的重置按钮即可。



使用Converters Setup软件中的“Audio” (音频) 选项卡来调整模拟音频电平。

## Mini Converter SDI to Analog原理图



## Mini Converter SDI to Audio

Mini Converter SDI to Audio可从任何SDI视频连接解嵌4通道音频并输出4通道模拟音频或8通道AES/EBU数字音频。从而输出到调音台、模拟录机以及监视器等音频设备上。额外的SDI音频通道可通过菊花链式连接到其它Mini Converter SDI to Audio解嵌到您的转换器SDI输出上。



### 接口

- CH 1 ANALOG or CH 1 & 2 AES/EBU**  
1/4英寸插孔，平衡模拟音频通道1，或AES/EBU数字音频通道1和2输出。
- CH 2 Analog or CH 3 & 4 AES/EBU**  
1/4英寸插孔，平衡模拟音频通道2，或AES/EBU数字音频通道3和4输出。
- CH 3 Analog or CH 5 & 6 AES/EBU**  
1/4英寸插孔，平衡模拟音频通道3，或AES/EBU数字音频通道5和6输出。
- CH 4 Analog or CH 7 & 8 AES/EBU**  
1/4英寸插孔，平衡模拟音频通道4，或AES/EBU数字音频通道7和8输出。
- MINI-B USB端口**  
可通过您的Mac OS X或Windows计算机连接到转换器设置软件。Mini Converter的内部软件也可通过这一USB端口更新。
- SDI OUT**  
BNC接口，SDI视频环通输出。

## 7 ALT SDI IN

提供冗余SDI输入作为备用选项。当同时使用SDI IN和ALT SDI IN接口时, ALT SDI IN可在主SDI IN发生信号故障时立即启用。SDI LOCK LED将闪烁提示转换器已切换到备用SDI输入上。

## 8 SDI IN

主SDI输入。

## 9 POWER +12V

12V电源输入。

## 开关

Mini Converter SDI to Audio的开关可提供以下设置:

### 8号开关 - 模拟音频、AES/EBU音频

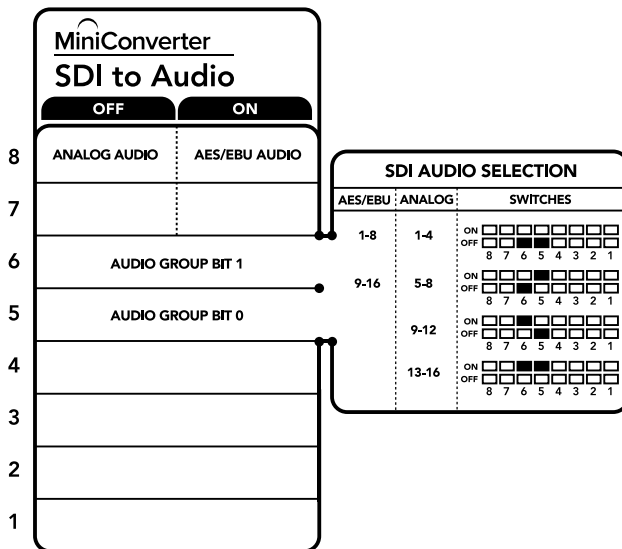
将8号开关置为“OFF”(关)可选择平衡模拟音频,置为“ON”(开)则可选择数字AES/EBU音频输出。

### 6号开关 - 音频组Bit 1

5号和6号开关合并在一起可提供四种开/关组合。这一组合实现了从您的SDI输入解嵌为4组模拟音频通道,或2组8 AES/EBU音频通道。

### 号开关 - 音频组Bit 0

详见6号开关描述。




转换器背面印有开关示意图,图中详细介绍了更改转换设置所需的全部信息。


## 开关设置示例

您可以尝试各种不同的开关设置组合。将8号、6号和5号开关置为“OFF”(关),可选择模拟音频通道1到4。

## 音频选项表

模拟音频通道	6号开关	5号开关	开关示意图
1到4	OFF (关)	OFF (关)	ON OFF 
5到8	OFF (关)	ON (开)	ON OFF 
9到12	ON (开)	OFF (关)	ON OFF 
13到16	ON (开)	ON (开)	ON OFF 

AES/EBU通道	6号开关	5号开关	开关示意图
1到8	OFF (关)	OFF (关)	ON OFF 
9到16	OFF (关)	ON (开)	ON OFF 

## Blackmagic Converters Setup的各项设置

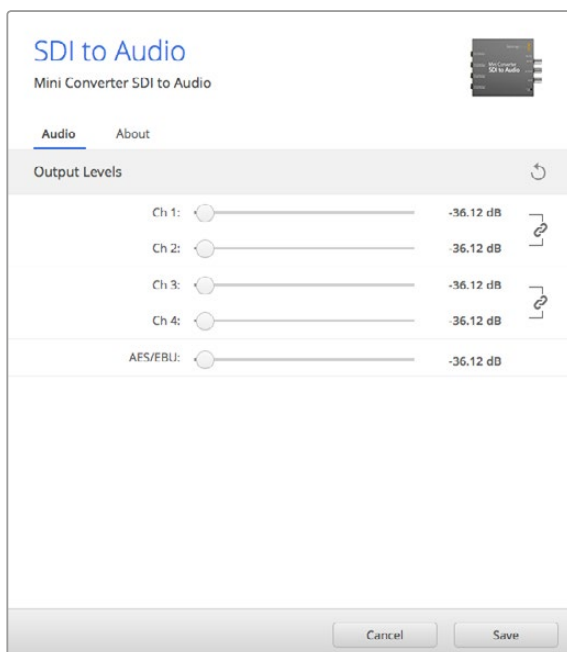
Converters Setup实用程序可用于更改Mini Converter的各项设置并更新其软件。您可在“Audio”（音频）以及“About”（关于）选项卡之间移动来实现各种设置。

“About”（关于）选项卡的相关内容在本手册“更改设置”部分进行了详述。

Mini Converter SDI to Audio的“Audio”（音频）选项卡包含了如下设置：

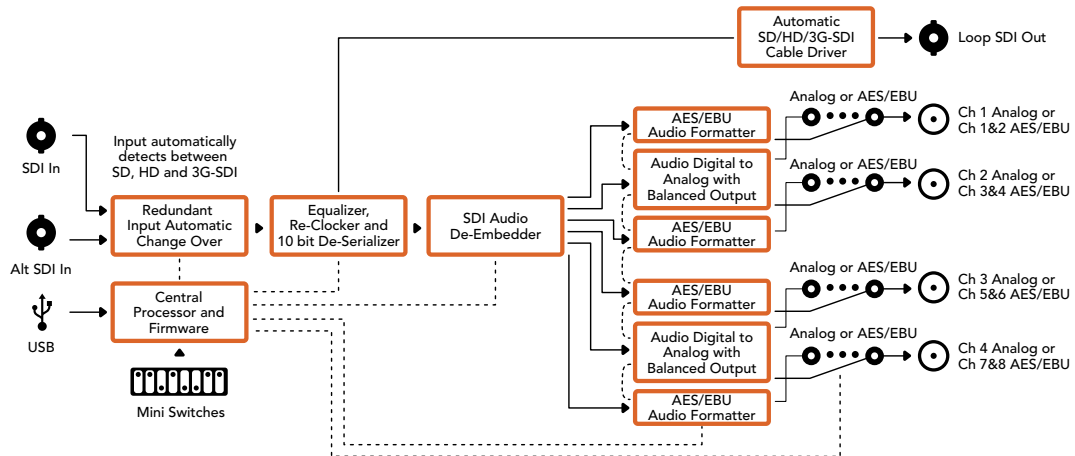
### Output Levels (输出电平) 菜单

这一菜单可用于调整音频输出的增益设置。您可以单独调整每个声道的音频电平，或点击其滑块一侧的链接图标来统一调整每个或每对通道。要将音频电平全部重置到0 dB，点击“Output Levels”菜单顶部的重置按钮即可。



使用Converters Setup软件中的“Audio”（音频）选项卡来调整音频电平。

## Mini Converter SDI to Audio原理图



## Mini Converter SDI to Audio 4K

Mini Converter SDI to Audio 4K可从任何SDI视频连接和输出解嵌出4通道模拟音频或8通道AES/EBU数字音频, 从而输出到调音台、模拟录机以及监视器等音频设备上。额外的SDI音频通道可通过菊链式连接到其它Mini Converter SDI to Audio 4K解嵌到您的转换器SDI输出上。



## 接口

- 1 CH 1 ANALOG or CH 1 & 2 AES/EBU**  
1/4英寸插孔, 平衡模拟音频通道1, 或AES/EBU数字音频通道1和2输出。
- 2 CH 2 Analog or CH 3 & 4 AES/EBU**  
1/4英寸插孔, 平衡模拟音频通道2, 或AES/EBU数字音频通道3和4输出。
- 3 CH 3 Analog or CH 5 & 6 AES/EBU**  
1/4英寸插孔, 平衡模拟音频通道3, 或AES/EBU数字音频通道5和6输出。
- 4 CH 4 Analog or CH 7 & 8 AES/EBU**  
1/4英寸插孔, 平衡模拟音频通道4, 或AES/EBU数字音频通道7和8输出。
- 5 MINI-B USB端口**  
可通过您的Mac OS X或Windows计算机连接到转换器设置软件。Mini Converter的内部软件也可通过这一USB端口更新。
- 6 SDI OUT**  
BNC接口, SDI视频环通输出。

### 7 ALT SDI IN

提供冗余SDI输入作为备用选项。当同时使用SDI IN和ALT SDI IN接口时，ALT SDI IN可在主SDI IN发生信号故障时立即启用。SDI LOCK LED将闪烁提示转换器已切换到备用SDI输入上。

### 8 SDI IN

主SDI输入。

### 9 POWER +12V

12V电源输入。

## 开关

Mini Converter SDI to Audio 4K的开关具有以下设置功能：

### 8号开关 - 模拟音频、AES/EBU音频

将8号开关置为“OFF”（关）可选择平衡模拟音频，置为“ON”（开）则可选择数字AES/EBU音频输出。

### 6号开关 - 音频组Bit 1

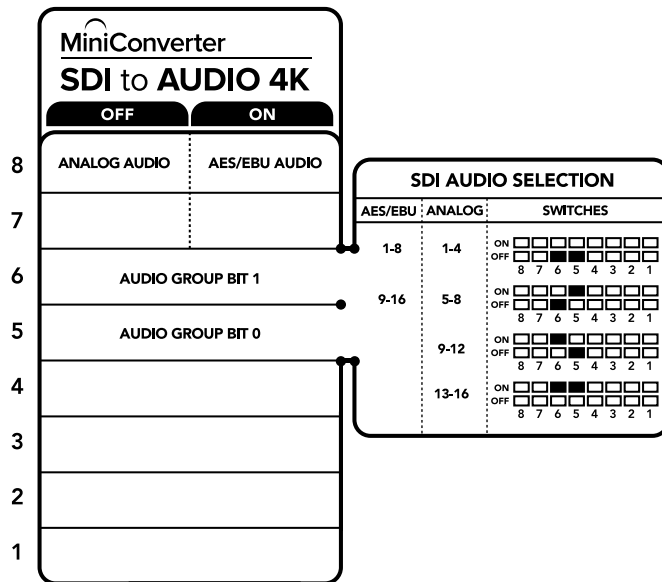
5号和6号开关合并在一起可提供四种开/关组合。这一组合实现了从您的SDI输入解嵌为4组模拟音频通道，或2组8 AES/EBU音频通道。

### 5号开关 - 音频组Bit 0

详见6号开关描述。

## 开关设置示例

您可以尝试各种不同的开关设置组合。将8号、6号和5号开关置为“OFF”（关），可选择模拟音频通道1到4。



转换器背面印有开关示意图，图中详细介绍了更改转换设置所需的全部信息。



## 音频选项表

模拟音频通道	6号开关	5号开关	开关示意图
1到4	OFF (关)	OFF (关)	
5到8	OFF (关)	ON (开)	
9到12	ON (开)	OFF (关)	
13到16	ON (开)	ON (开)	

AES/EBU通道	6号开关	5号开关	开关示意图
1到8	OFF (关)	OFF (关)	
9到16	OFF (关)	ON (开)	

## Blackmagic Converters Setup的各项设置

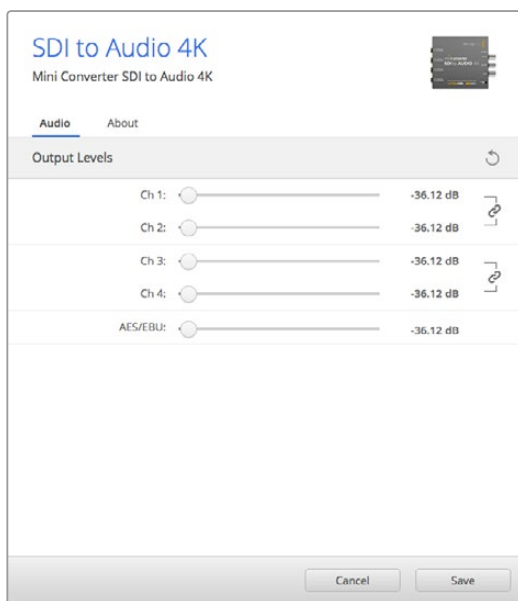
Converters Setup实用程序可用于更改Mini Converter的各项设置并更新其软件。您可在“Audio”（音频）以及“About”（关于）选项卡之间移动来实现各种设置。

“About”（关于）选项卡的相关内容在本手册“更改设置”部分进行了详述。

Mini Converter SDI to Audio 4K的“Audio”（音频）选项卡包含了如下设置：

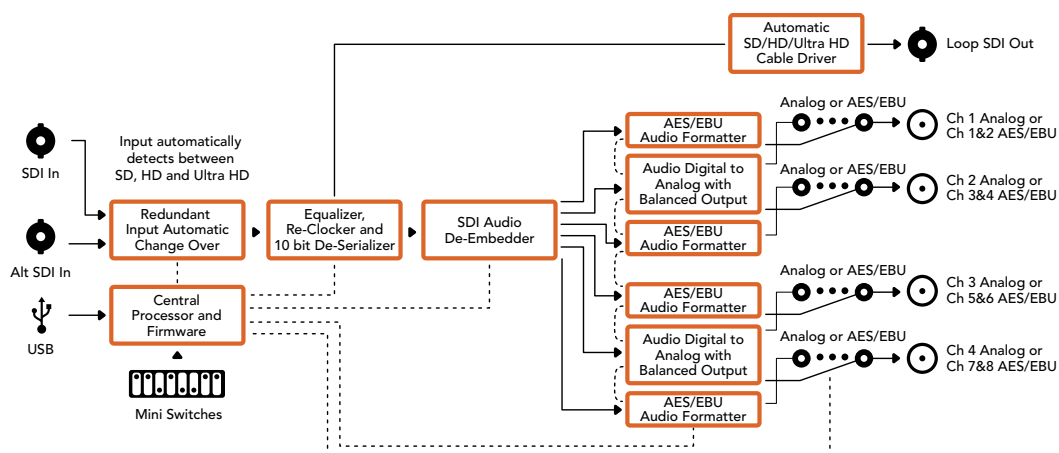
### Output Levels (输出电平) 菜单

这一菜单可用于调整音频输出的增益设置。您可以单独调整每个声道的音频电平，或点击其滑块一侧的链接图标来统一调整每个或每对通道。要将音频电平全部重置到0 dB，点击“Output Levels”菜单顶部的重置按钮即可。



使用Converters Setup软件中的“Audio”（音频）选项卡来调整模拟音频电平。

## Mini Converter SDI to Audio 4K原理图



## Mini Converter Audio to SDI

Mini Converter Audio to SDI可为任何SDI视频连接加嵌4通道模拟音频或8通道AES/EBU数字音频。您可以使用这款Mini Converter将来自调音台和模拟录机等设备上的音频加嵌到SDI视频连接上用于SDI矩阵和录机。额外的SDI音频通道可通过菊链式连接到其它Mini Converter Audio to SDI加嵌到您的转换器SDI输出上。



### 接口

- CH 1 Analog or CH 1 & 2 AES/EBU**  
1/4英寸插孔，平衡模拟音频通道1，或AES/EBU数字音频通道1和2输入。
- CH 2 Analog or CH 3 & 4 AES/EBU**  
1/4英寸插孔，平衡模拟音频通道2，或AES/EBU数字音频通道3和2输入。
- CH 3 Analog or CH 5 & 6 AES/EBU**  
1/4英寸插孔，平衡模拟音频通道3，或AES/EBU数字音频通道5和6输入。
- CH 4 Analog or CH 7 & 8 AES/EBU**  
1/4英寸插孔，平衡模拟音频通道4，或AES/EBU数字音频通道7和8输入。
- Mini-B USB端口**  
可通过Mac OS X或Windows计算机连接Converters Setup软件。Mini Converter的内部软件也可通过这一USB端口更新。

## 6 SDI OUT

BNC接口, SDI视频环通输出。

## 7 ALT SDI IN

提供冗余SDI输入作为备用选项。当同时使用SDI IN和ALT SDI IN接口时, ALT SDI IN可在主SDI IN发生信号故障时立即启用。SDI LOCK LED将闪烁提示转换器已切换到备用SDI输入上。

## 8 SDI IN

主SDI输入。

## 9 POWER +12V

12V电源输入。

## 开关

Mini Converter Audio to SDI的开关具有以下设置功能:

### 8号开关 - 模拟音频、AES/EBU音频

将8号开关置为“OFF”(关)可选择平衡模拟音频,置为“ON”(开)则可选择数字AES/EBU音频输入。

### 7号开关 - 采样率转换、无采样率转换

将7号开关置为“OFF”(关)可启用采样率转换,置为“ON”(开)则可禁用采样率转换。大多数情况,此开关应该置为“OFF”(关)从而以确保音频以正确的电视采样率进行加嵌。

将7号开关置为“OFF”(关)可设置开启模拟或AES/EBU音频的采样率转换,并将音频以采样率48kHz加嵌到SDI输出上。将7号开关置为“ON”(开)则禁用采样率转换,并将音频以您输入音频的原始采样率输出。



### 6号开关 - 音频组Bit 1

5号和6号开关合并在一起可提供四种开/关组合。四种不同的组合可在您的SDI输出上加嵌多达4通道模拟音频,或8通道AES/EBU音频。

### 5号开关 - 音频组Bit 0

详见6号开关描述。

## 音频选项表

模拟音频通道	6号开关	5号开关	开关示意图
1到4	OFF (关)	OFF (关)	ON OFF 
5到8	OFF (关)	ON (开)	ON OFF 
9到12	ON (开)	OFF (关)	ON OFF 
13到16	ON (开)	ON (开)	ON OFF 
AES/EBU通道	6号开关	5号开关	开关示意图
1到8	OFF (关)	OFF (关)	ON OFF 
9到16	OFF (关)	ON (开)	ON OFF 

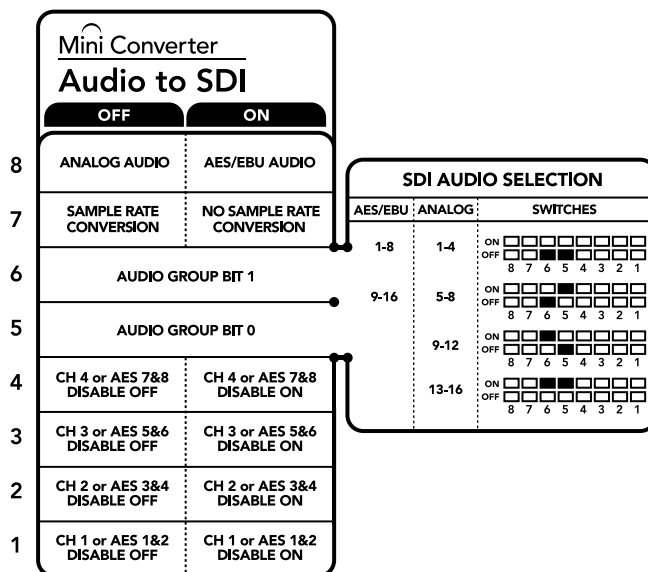
## 加嵌或禁用通道

选择了音频通道后，使用4、3、2和1号开关可选择哪个通道要加嵌或禁用。禁用设置可以保护您想要保留的SDI信号音频通道，避免其被覆盖。

例如，您可以将1号开关置为“ON”（开）位置，从而禁用模拟音频通道1或AES/EBU通道1和2。或者，您可以将1号开关置为“OFF”（关）位置，从而加嵌音频通道。

### 音频通道解嵌或禁用设置

开关	设置	音频通道
4	ON (开)	禁用模拟通道4, AES/EBU通道7和8
	OFF (关)	加嵌模拟通道4, AES/EBU通道7和8
3	ON (开)	禁用模拟通道3, AES/EBU通道5和6
	OFF (关)	加嵌模拟通道3, AES/EBU通道5和6
2	ON (开)	禁用模拟通道2, AES/EBU通道3和4
	OFF (关)	加嵌模拟通道2, AES/EBU通道3和4
1	ON (开)	禁用模拟通道1, AES/EBU通道1和2
	OFF (关)	加嵌模拟通道1, AES/EBU通道1和2



转换器背面印有开关示意图，图中详细介绍了更改转换设置所需的全部信息。

### 开关设置示例:

您可以尝试各种不同的开关设置组合。将8号、6号和5号开关置为“OFF”（关），可选择模拟音频通道1到4。

## Blackmagic Converters Setup的各项设置

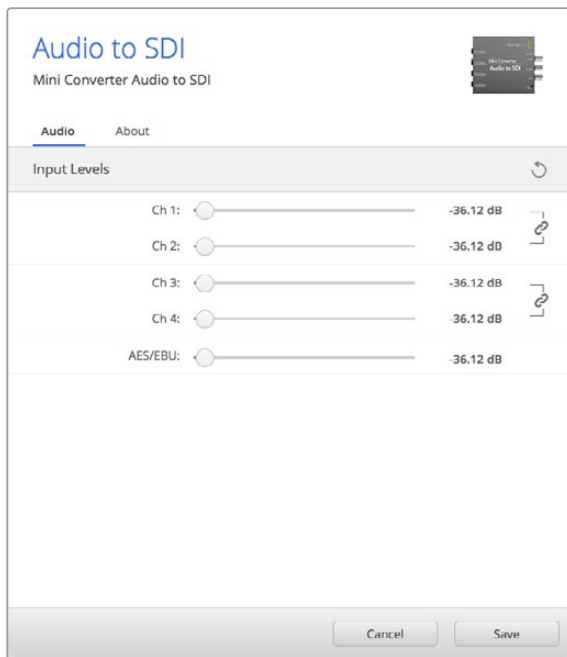
Converters Setup实用程序可用于更改Mini Converter的各项设置并更新其软件。您可在“Audio”（音频）以及“About”（关于）选项卡之间移动来实现各种设置。

“About”（关于）选项卡的相关内容在本手册“更改设置”部分进行了详述。

Mini Converter Audio to SDI的“Audio”（音频）选项卡包含了如下设置：

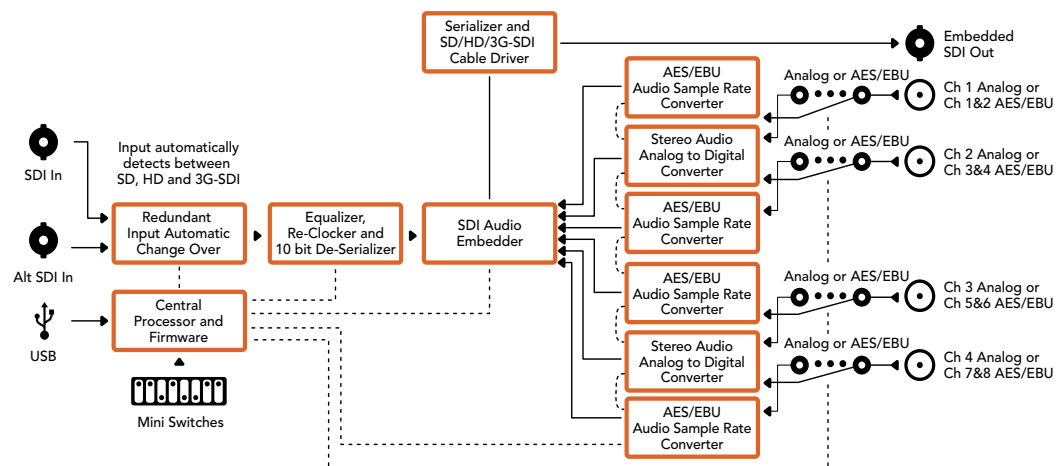
### Input Levels (输入电平) 菜单

此菜单可用于调整音频输入上的增益设置。您可以单独调整每个通道的音频电平，或点击其滑块一侧的链接图标来统一调整每个或每对通道。要将音频电平全部重置到0 dB，点击“Output Levels”菜单顶部的重置按钮即可。



使用Converters Setup软件中的“Audio”（音频）选项卡来调整模拟音频电平。

### Mini Converter Audio to SDI原理图



## Mini Converter Audio to SDI 4K

Mini Converter Audio to SDI 4K可为任何SDI视频连接加嵌4通道模拟音频或8通道AES/EBU数字音频。您可以使用这款Mini Converter将来自调音台和模拟录机等设备上的音频加嵌到SDI视频连接上用于SDI矩阵和录机。额外的SDI音频通道可通过菊链式连接到其它Mini Converter Audio to SDI 4K加嵌到您的转换器SDI输出上。



### 接口

- 1 CH 1 Analog or CH 1 & 2 AES/EBU**  
1/4英寸插孔，平衡模拟音频通道1，或AES/EBU数字音频通道1和2输入。
- 2 CH 2 Analog or CH 3 & 4 AES/EBU**  
1/4英寸插孔，平衡模拟音频通道2，或AES/EBU数字音频通道3和2输入。
- 3 CH 3 Analog or CH 5 & 6 AES/EBU**  
1/4英寸插孔，平衡模拟音频通道3，或AES/EBU数字音频通道5和6输入。
- 4 CH 4 Analog or CH 7 & 8 AES/EBU**  
1/4英寸插孔，平衡模拟音频通道4，或AES/EBU数字音频通道7和8输入。
- 5 Mini-B USB端口**  
可通过Mac OS X或Windows计算机连接Converters Setup软件。Mini Converter的内部软件也可通过这一USB端口更新。
- 6 SDI OUT**  
BNC接口，SDI视频环通输出。
- 7 ALT SDI IN**  
提供冗余SDI输入作为备用选项。当同时使用SDI IN和ALT SDI IN接口时，ALT SDI IN可在主SDI IN发生信号故障时立即启用。SDI LOCK LED将闪烁提示转换器已切换到备用SDI输入上。
- 8 SDI IN**  
主SDI输入。
- 9 POWER +12V**  
12V电源输入。

## 开关

Mini Converter Audio to SDI 4K的开关具有以下设置功能：

### 8号开关 - 模拟音频、AES/EBU音频

将8号开关置为“OFF”（关）可选择平衡模拟音频，置为“ON”（开）则可选择数字AES/EBU音频输入。

### 7号开关 - 采样率转换、无采样率转换

将7号开关置为“OFF”（关）可启用采样率转换，置为“ON”（开）则可禁用采样率转换。大多数情况，此开关应该置为“OFF”（关）从而以确保音频以正确的电视采样率进行加嵌。

将7号开关置为“OFF”（关）可设置开启模拟或AES/EBU音频的采样率转换，并将音频以采样率48kHz加嵌到SDI输出上。将7号开关置为“ON”（开）则禁用采样率转换，并将音频以您输入音频的原始采样率输出。

### 6号开关 - 音频组Bit 1

5号和6号开关合并在一起可提供四种开/关组合。四种不同的组合可在您的SDI输出上加嵌多达4通道模拟音频，或8通道AES/EBU音频。

### 5号开关 - 音频组Bit 0

详见6号开关描述。

## 音频选项表

模拟音频通道	6号开关	5号开关	开关示意图
1到4	OFF (关)	OFF (关)	
5到8	OFF (关)	ON (开)	
9到12	ON (开)	OFF (关)	
13到16	ON (开)	ON (开)	
AES/EBU通道	6号开关	5号开关	开关示意图
1到8	OFF (关)	OFF (关)	
9到16	OFF (关)	ON (开)	

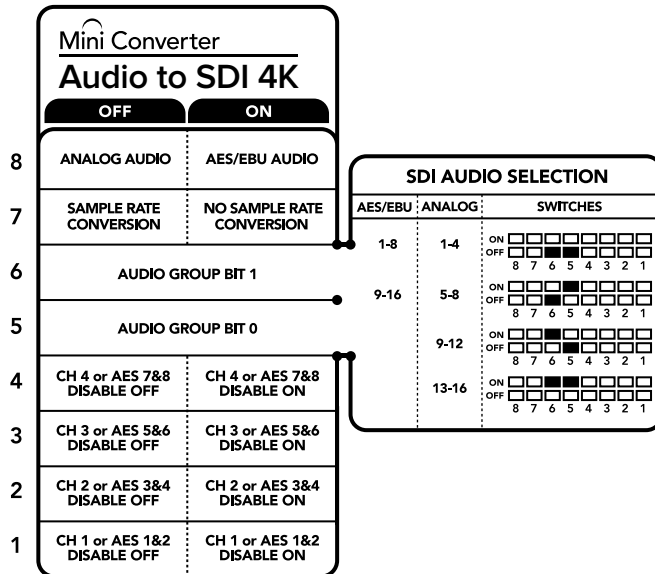
## 加嵌或禁用通道

选择了音频通道后，使用4、3、2和1号开关可选择哪个通道要加嵌或禁用。禁用设置可以保护您想要保留的SDI信号音频通道，避免其被覆盖。

例如，您可以将1号开关置为“ON”（开）位置，从而禁用模拟音频通道1或AES/EBU通道1和2。或者，您可以将1号开关置为“OFF”（关）位置，从而加嵌音频通道。

## 音频通道解嵌或禁用设置

开关	设置	音频通道
4	ON (开)	禁用模拟通道4, AES/EBU通道7和8
	OFF (关)	加嵌模拟通道4, AES/EBU通道7和8
3	ON (开)	禁用模拟通道3, AES/EBU通道5和6
	OFF (关)	加嵌模拟通道3, AES/EBU通道5和6
2	ON (开)	禁用模拟通道2, AES/EBU通道3和4
	OFF (关)	加嵌模拟通道2, AES/EBU通道3和4
1	ON (开)	禁用模拟通道1, AES/EBU通道1和2
	OFF (关)	加嵌模拟通道1, AES/EBU通道1和2



转换器背面印有开关示意图, 图中详细介绍了更改转换设置所需的全部信息。

## 开关设置示例

您可以尝试各种不同的开关设置组合。将8号、6号和5号开关置为“OFF”（关），可选择模拟音频通道1到4。

## Blackmagic Converters Setup的各项设置

Converters Setup实用程序可用于更改Mini Converter的各项设置并更新其软件。您可在“Audio”（音频）以及“About”（关于）选项卡之间移动来实现各种设置。

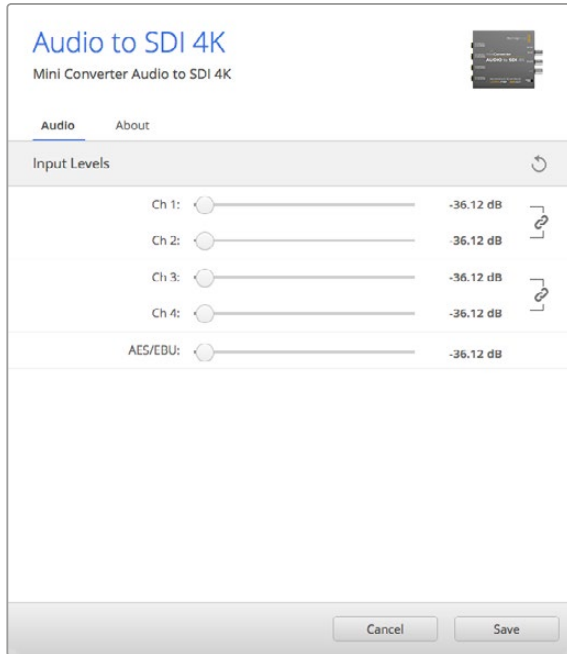
“About”（关于）选项卡的相关内容在本手册“更改设置”部分进行了详述。

Mini Converter Audio to SDI 4K的“Audio”（音频）选项卡包含了如下设置：



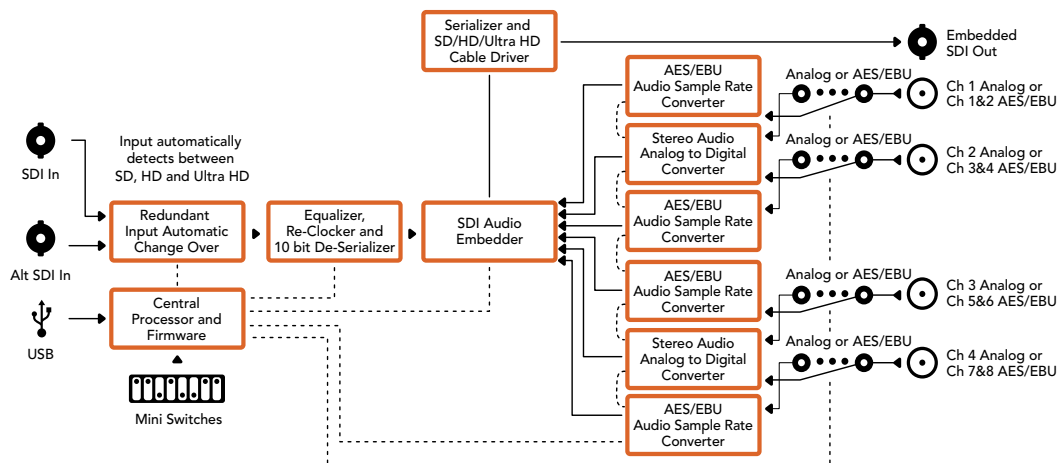
## Input Levels (输入电平) 菜单

此菜单可用于调整音频输入上的增益设置。您可以单独调整每个通道的音频电平，或点击其滑块一侧的链接图标来统一调整每个或每对通道。要将音频电平全部重置到0 dB，点击“Output Levels”菜单顶部的重置按钮即可。



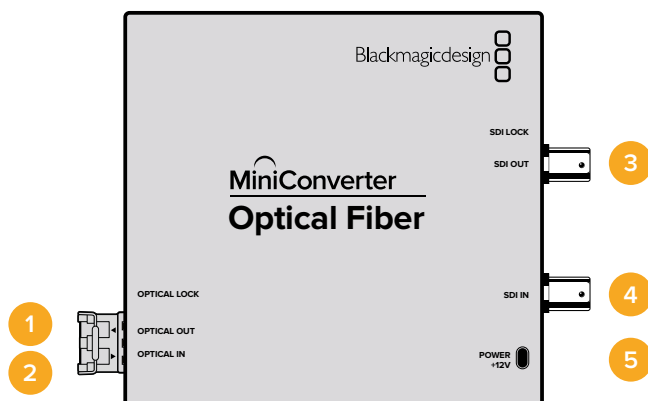
使用Converters Setup软件中的“Audio”（音频）选项卡来调整模拟音频电平。

## Mini Converter Audio to SDI 4K原理图



## Mini Converter Optical Fiber

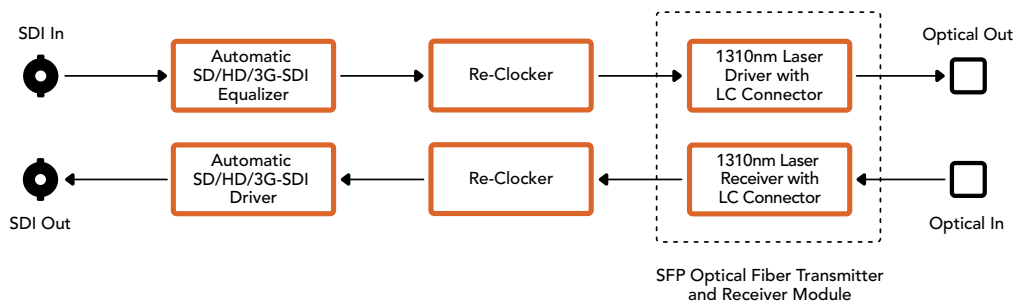
Mini Converter Optical Fiber可让您实现SDI到光纤及光纤到SDI的同时转换。它可以在SD/HD/3G-SDI视频格式之间自动切换，并且每个方向都可以是完全独立的。如果您需要进行的SDI信号收发距离超出传统SDI线缆的布线范围，就可以使用这款转换器。如果使用SDI铜缆传输，SD视频的发送距离只有300英尺。相比之下，使用光纤可实现45公里或147000英尺的传输距离，而3G-SDI则可实现最远25公里的传输距离！



### 接口

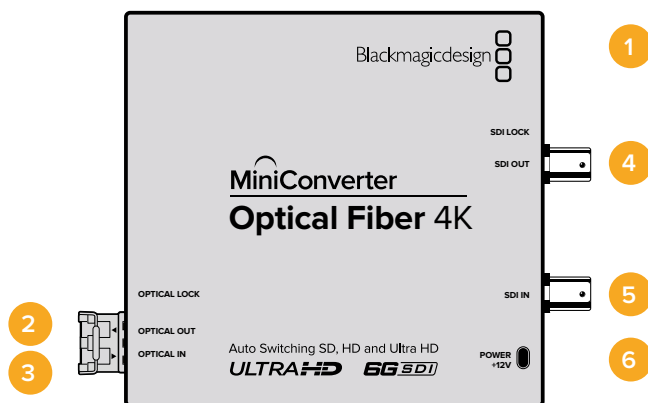
- 1 OPTICAL OUT**  
光纤输出接口，支持LC接头单模光纤线缆。
- 2 OPTICAL IN**  
光纤输入接口，支持LC接头单模光纤线缆。
- 3 3G-SDI OUT**  
BNC接口SDI视频输出，可连接传统SDI设备。
- 4 3G-SDI IN**  
BNC接口SDI视频输入，可连接传统SDI设备。
- 5 POWER +12V**  
12V电源输入。

### Mini Converter Optical Fiber原理图



## Mini Converter Optical Fiber 4K

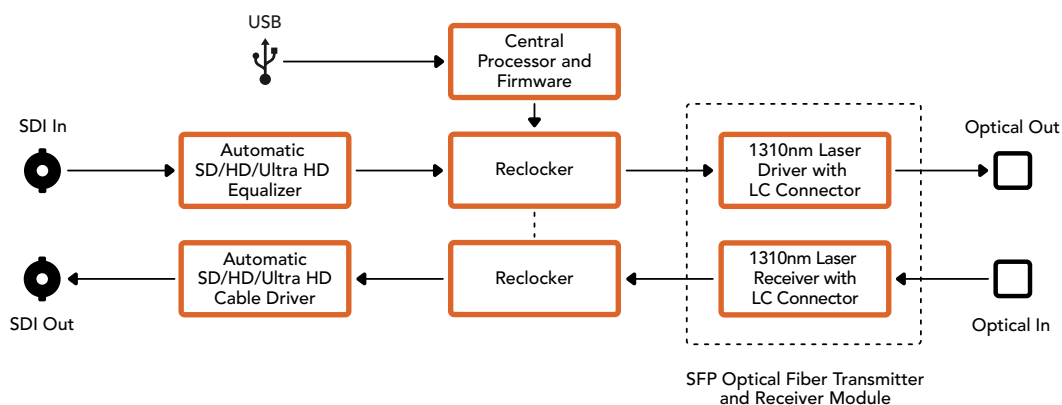
实现SD/HD和单链路6G-SDI到光纤，以及光纤到SD/HD和单链路6G-SDI的同时转换。它可以在SD/HD/3G/6G-SDI视频格式之间自动切换，并且每个方向都可以是完全独立的。如果您需要进行的SDI信号收发距离超出传统SDI线缆的布线范围，就可以使用这款转换器。如果使用SDI铜缆传输，SD视频的发送距离只有300英尺。相比之下，使用光纤可实现45公里或147000英尺的传输距离，6G-SDI则可实现最远12公里的传输距离！



### 接口

- 1 Mini-B USB端口**  
可用来更新Mini Converter的内部软件。
- 2 OPTICAL OUT**  
光纤输出接口，支持LC接头单模光纤线缆。
- 3 OPTICAL IN**  
光纤输入接口，支持LC接头单模光纤线缆。
- 4 SDI OUT**  
BNC接口SDI视频输出，可连接传统SDI设备。
- 5 SDI IN**  
BNC接口SDI视频输入，可连接传统SDI设备。
- 6 POWER +12V**  
12V电源输入。

### Mini Converter Optical Fiber 4K原理图



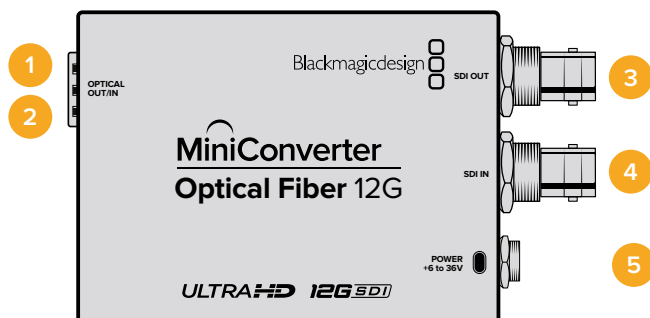
## Mini Converter Optical Fiber 12G

该转换器可将上至12G-SDI的SD和HD视频转换成光纤信号，同时还可以进行反向的转换。

SFP型光纤模块可安装兼容的SFP光纤模块，支持上至3G、6G以及12G-SDI的视频。

转换器可自动检测到视频输入格式，并将输出设置为与之匹配的格式。两个方向的传输是完全独立的。

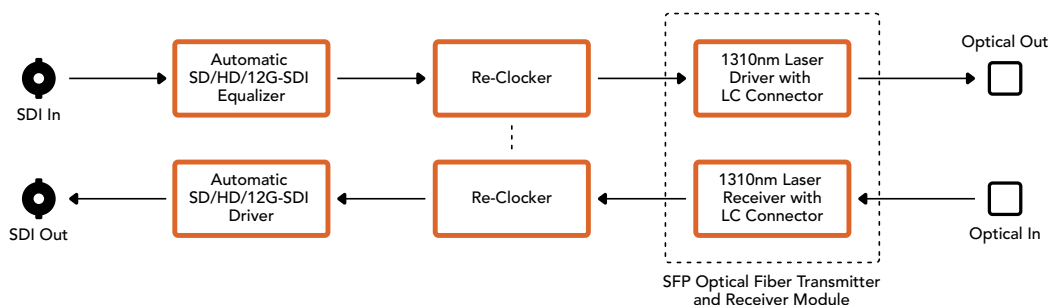
如果您需要进行的SDI信号收发距离超出传统SDI线缆的布线范围，就可以使用这款转换器。例如，如果使用SDI铜缆传输，SD视频的发送距离只有300英尺。相比之下，使用光纤可实现45公里或147000英尺的传输距离，12G-SDI则可实现最远6公里的传输距离！



### 各类接口

- 1 Optical Out**  
光纤输出接口，支持LC接头单模光纤线缆。
- 2 Optical In**  
光纤输入接口，支持LC接头单模光纤线缆。
- 3 SDI Out**  
BNC接口SDI视频输出，可连接SDI设备。
- 4 SDI In**  
BNC接口SDI视频输入，可连接SDI设备。
- 5 POWER +6 to 36V**  
6至36V电源输入。转换器接口可用螺丝拧紧，以防意外断开连接。

### Mini Converter Optical Fiber 12G原理图

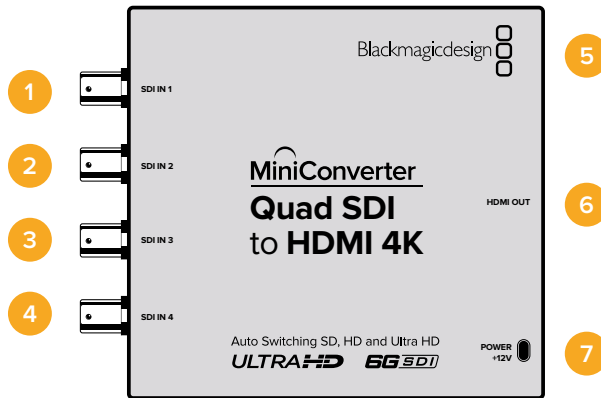


## Mini Converter Quad SDI to HDMI 4K

Mini Converter Quad SDI to HDMI 4K可将单链路、双链路及四链路SDI Ultra HD信号通过单根HDMI线缆连接到支持超高清的最新Ultra HD投影仪和电视机上。您还可将以下输入转换成HDMI:

- SD SDI
- HD-SDI
- 单链路3G-SDI
- 单链路6G-SDI
- 双链路HD-SDI
- 双链路3G-SDI Ultra HD
- 四链路HD-SDI Ultra HD

如果HDMI输出检测到一台HD监视器或HD电视机,那么输出信号将自动进行下变换。仅将输入1和2用于有效双链路信号。



### 接口

每路SDI输入支持的格式如下:

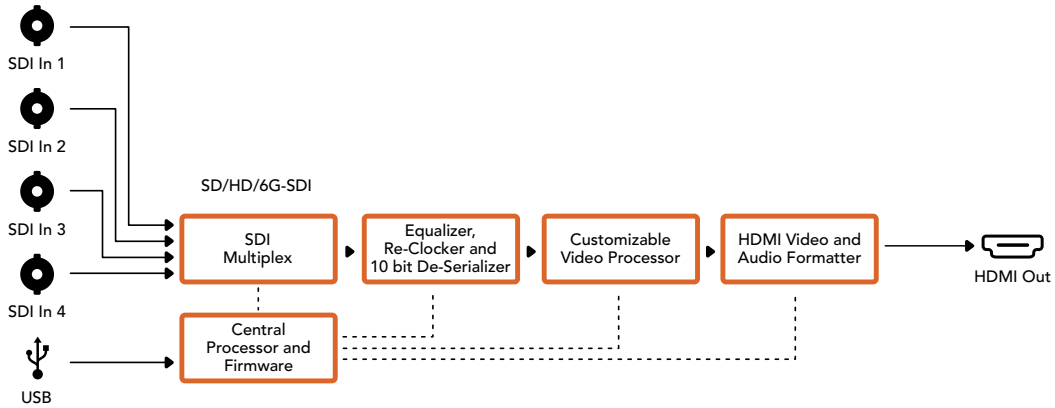
- 1 SDI IN 1**
  - SD/HD-SDI
  - 单链路3G-SDI
  - 单链路6G-SDI
  - 双链路HD-SDI通道A
  - 双链路3G-SDI Ultra HD通道A
  - 四链路HD-SDI Ultra HD通道A
- 2 SDI IN 2**
  - 双链路HD-SDI通道B
  - 双链路3G-SDI Ultra HD通道B
  - 四链路HD-SDI Ultra HD通道B
- 3 SDI IN 3**
  - 四链路HD-SDI Ultra HD通道C
- 4 SDI IN 4**
  - 四链路HD-SDI Ultra HD通道D

#### 5 Mini-B USB端口

可通过Mac OS X或Windows计算机连接Converters Setup软件。Mini Converter的内部软件也可通过这一USB端口更新。

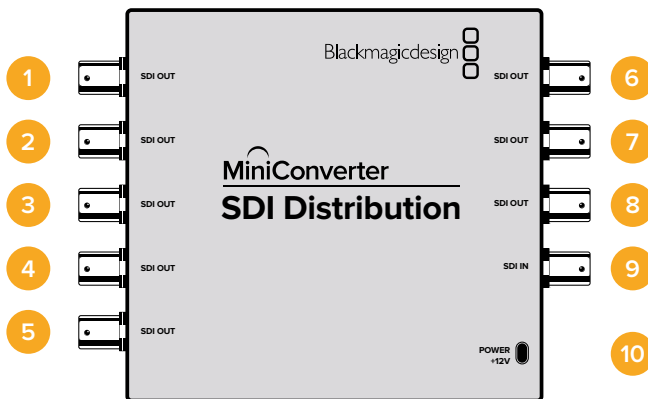
- 6 HDMI**  
HDMI A类视频输出。
- 7 POWER +12V**  
12V电源输入。

### Mini Converter Quad SDI to HDMI 4K原理图



### Mini Converter SDI Distribution

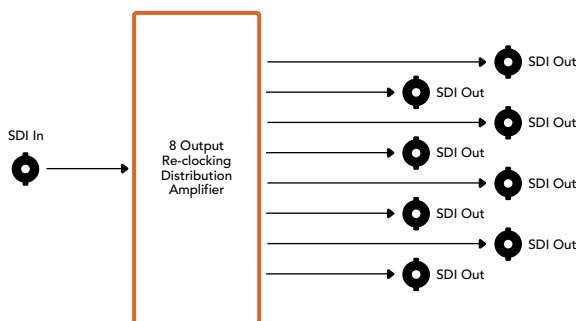
Mini Converter SDI Distribution可将SDI信号同时输出到8台录机、监视屏墙及切换台等SDI设备上。当视频输入在SD-SDI、HD-SDI以及3G-SDI视频格式间更改时，Mini Converter SDI Distribution可自动将8路时钟恢复输出切换到支持ASI、辅助数据以及加嵌音频的格式加以匹配。



### 接口

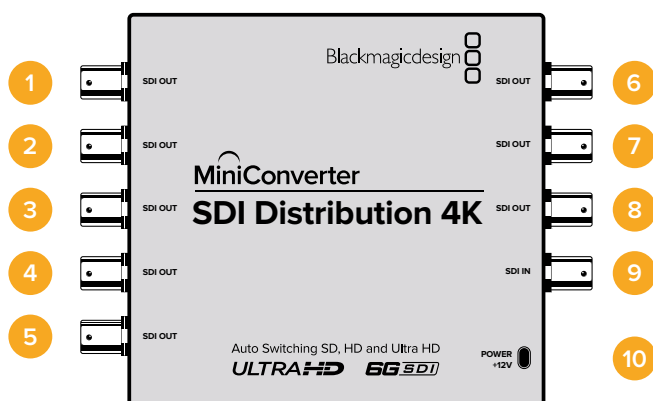
- 1-8 SDI OUT**  
BNC接口, SDI视频输出。
- 9 SDI IN**  
SDI输入。
- 10 POWER +12V**  
12V电源输入。

## Mini Converter SDI Distribution原理图



## Mini Converter SDI Distribution 4K

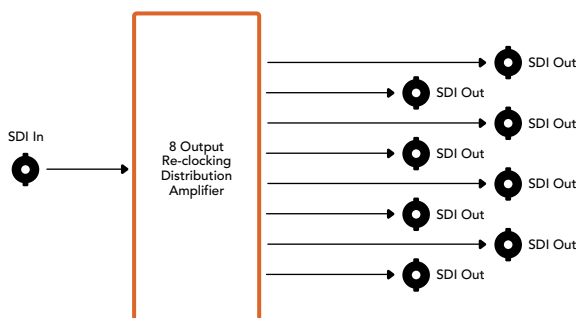
Mini Converter SDI Distribution 4K可将SDI信号同时输出到8台录机、监视屏墙及切换台等SDI设备上。当视频输入在SD/HD/3G/6G-SDI视频格式间更改时, Mini Converter SDI Distribution 4K可自动将8路时钟恢复输出切换到支持ASI、辅助数据以及加嵌音频的格式加以匹配。



### 接口

- 1-8 SDI OUT**  
BNC接口, SDI视频输出。
- 9 SDI IN**  
SDI输入。
- 10 POWER +12V**  
12V电源输入。

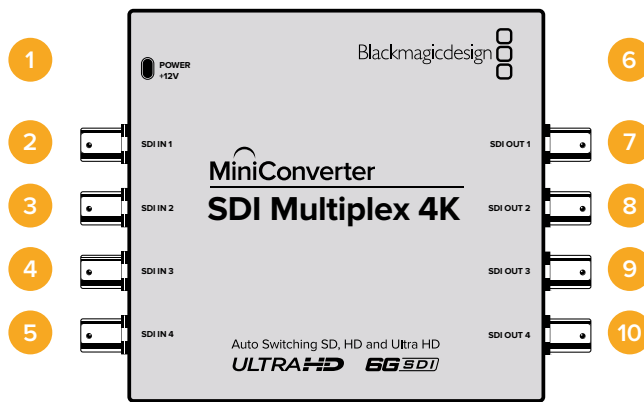
## Mini Converter SDI Distribution 4K原理图



## Mini Converter SDI Multiplex 4K

Mini Converter SDI Multiplex 4K可进行以下转换：

- 将一路SD/HD和6G-SDI信号分配到所有4路输出上。
- 将双链路HD-SDI信号分配到所有4路3G-SDI输出上。
- 将单链路3G-SDI转换到双链路HD-SDI。将双链路输出分配到两对输出上。
- 将单链路6G-SDI转换到双链路3G-SDI或四链路1.5G SDI。
- 将四链路HD-SDI Ultra HD转换到单链路6G-SDI, 或双链路3G-SDI Ultra HD, 以便您将已有的Ultra HD视频源连接到双链路Ultra HD显示屏上。将双链路输出分配到两对输出上。
- 将双链路3G-SDI转换到单链路6G-SDI。
- 将双链路3G-SDI Ultra HD转换到四链路HD-SDI Ultra HD, 以便将最新双链路Ultra HD视频源连接到已有的四链路Ultra HD显示屏上。



### 接口

- 1 POWER +12V**
  - 12V电源输入。
  - 每路SDI输入支持的格式如下：
- 2 SDI IN 1**
  - SD/HD-SDI
  - 单链路3G-SDI
  - 单链路6G-SDI
  - 双链路HD-SDI通道A
  - 双链路3G-SDI Ultra HD通道A
  - 四链路HD-SDI Ultra HD通道A
- 3 SDI IN 2**
  - 双链路HD-SDI通道B
  - 双链路3G-SDI Ultra HD通道B
  - 四链路HD-SDI Ultra HD通道B
- 4 SDI IN 3**
  - 四链路HD-SDI Ultra HD通道C
- 5 SDI IN 4**
  - 四链路HD-SDI Ultra HD通道D



## 6 Mini-B USB端口

联机连接Converters Setup软件。Mini Converter的内部软件也可通过这一USB端口更新。

每路SDI输入支持的格式如下:

## 7 SDI OUT 1

- SD/HD-SDI
- 单链路3G-SDI
- 单链路6G-SDI
- 双链路HD-SDI通道A
- 双链路3G-SDI Ultra HD通道A
- 四链路HD-SDI Ultra HD通道A

## 8 SDI OUT 2

- SD/HD-SDI
- 单链路3G-SDI
- 单链路6G-SDI
- 双链路HD-SDI通道B
- 双链路3G-SDI Ultra HD通道B
- 四链路HD-SDI Ultra HD通道B

## 9 SDI OUT 3

- SD/HD-SDI
- 单链路3G-SDI
- 单链路6G-SDI
- 双链路HD-SDI通道A
- 双链路3G-SDI Ultra HD通道A
- 四链路HD-SDI Ultra HD通道C

## 10 SDI OUT 4

- SD/HD-SDI
- 单链路3G-SDI
- 单链路6G-SDI
- 双链路HD-SDI通道B
- 双链路3G-SDI Ultra HD通道B
- 四链路HD-SDI Ultra HD通道D

## 开关

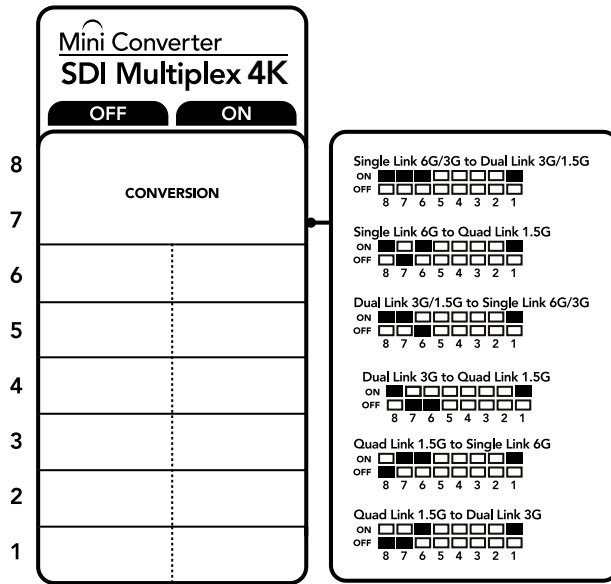
Mini Converter SDI Multiplex 4K的开关具有以下设置功能:

### 8、7和6号开关 - 格式转换

8、7和6号开关组合可设置双链路HD-SDI转单链路HD-SDI, 或四链路Ultra HD转单链路Ultra HD的转换。

### 1号开关 - 处理开始/关闭

当1号开关置为“OFF”(关), Mini Converter SDI Multiplex 4K将作为一台4路输出的SD/HD/6G-SDI分配放大器。



转换器背面印有开关示意图，图中详细介绍了更改转换设置所需的全部信息。

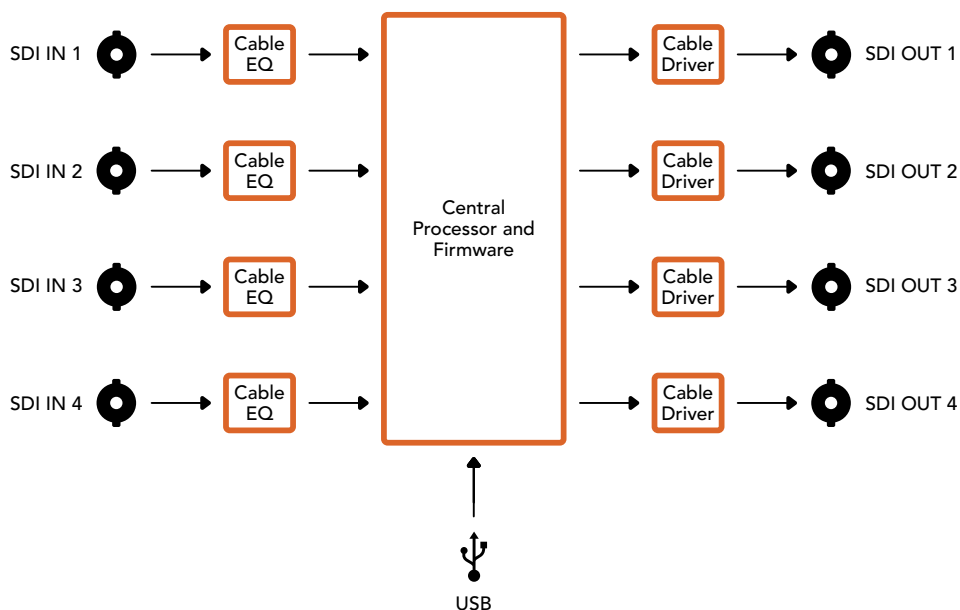
## 开关设置示例

将8号开关置为“ON”（开）、7号开关置为“OFF”，可将四链路Ultra HD转换为双链路Ultra HD。

## SDI连接表

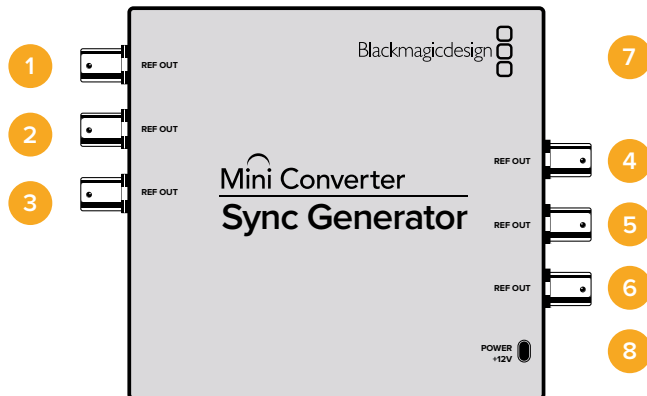
转换	8号开关	7号开关	6号开关	1号开关	开关示意图
单链路6G/3G-SDI转换到双链路3G/1.5G-SDI	ON (开)	ON (开)	ON (开)	ON (开)	ON <input checked="" type="checkbox"/> <input checked="" type="checkbox"/> <input checked="" type="checkbox"/> <input checked="" type="checkbox"/> <input checked="" type="checkbox"/> <input checked="" type="checkbox"/> <input checked="" type="checkbox"/> <input checked="" type="checkbox"/> OFF <input type="checkbox"/> <input type="checkbox"/> <input type="checkbox"/> <input type="checkbox"/> <input type="checkbox"/> <input type="checkbox"/> <input type="checkbox"/> <input type="checkbox"/>
单链路6G-SDI转换到四链路1.5G-SDI	ON (开)	OFF (关)	ON (开)	ON (开)	ON <input checked="" type="checkbox"/> <input checked="" type="checkbox"/> <input checked="" type="checkbox"/> <input checked="" type="checkbox"/> <input checked="" type="checkbox"/> <input checked="" type="checkbox"/> <input checked="" type="checkbox"/> <input checked="" type="checkbox"/> OFF <input type="checkbox"/> <input type="checkbox"/> <input type="checkbox"/> <input type="checkbox"/> <input type="checkbox"/> <input type="checkbox"/> <input type="checkbox"/> <input type="checkbox"/>
双链路3G/1.5G-SDI转换到单链路6G/3G-SDI	ON (开)	ON (开)	OFF (关)	ON (开)	ON <input checked="" type="checkbox"/> <input checked="" type="checkbox"/> <input checked="" type="checkbox"/> <input checked="" type="checkbox"/> <input checked="" type="checkbox"/> <input checked="" type="checkbox"/> <input checked="" type="checkbox"/> <input checked="" type="checkbox"/> OFF <input type="checkbox"/> <input type="checkbox"/> <input type="checkbox"/> <input type="checkbox"/> <input type="checkbox"/> <input type="checkbox"/> <input type="checkbox"/> <input type="checkbox"/>
双链路3G-SDI转换到四链路1.5G-SDI	ON (开)	OFF (关)	OFF (关)	ON (开)	ON <input checked="" type="checkbox"/> <input checked="" type="checkbox"/> <input checked="" type="checkbox"/> <input checked="" type="checkbox"/> <input checked="" type="checkbox"/> <input checked="" type="checkbox"/> <input checked="" type="checkbox"/> <input checked="" type="checkbox"/> OFF <input type="checkbox"/> <input type="checkbox"/> <input type="checkbox"/> <input type="checkbox"/> <input type="checkbox"/> <input type="checkbox"/> <input type="checkbox"/> <input type="checkbox"/>
四链路1.5G-SDI转换到单链路6G-SDI	OFF (关)	ON (开)	ON (开)	ON (开)	ON <input type="checkbox"/> <input type="checkbox"/> <input type="checkbox"/> <input type="checkbox"/> <input type="checkbox"/> <input type="checkbox"/> <input type="checkbox"/> <input type="checkbox"/> OFF <input checked="" type="checkbox"/> <input checked="" type="checkbox"/> <input checked="" type="checkbox"/> <input checked="" type="checkbox"/> <input checked="" type="checkbox"/> <input checked="" type="checkbox"/> <input checked="" type="checkbox"/> <input checked="" type="checkbox"/>
四链路1.5G-SDI转换到双链路3G-SDI	OFF (关)	OFF (关)	ON (开)	ON (开)	ON <input type="checkbox"/> <input type="checkbox"/> <input type="checkbox"/> <input type="checkbox"/> <input type="checkbox"/> <input type="checkbox"/> <input type="checkbox"/> <input type="checkbox"/> OFF <input checked="" type="checkbox"/> <input checked="" type="checkbox"/> <input checked="" type="checkbox"/> <input checked="" type="checkbox"/> <input checked="" type="checkbox"/> <input checked="" type="checkbox"/> <input checked="" type="checkbox"/> <input checked="" type="checkbox"/>

## Mini Converter SDI Multiplex 4K原理图



## Mini Converter Sync Generator

Mini Converter Sync Generator包含了6路晶稳视频同步输出,可将您的视频设备同步为常见同步信号。这一同步信号发生器可提供高清三电平或标清黑场信号,是小型工作室和户外播出的完美方案。



### 接口

#### 1-6 REF OUT

BNC接口, 同步视频输出。

#### 7 Mini-B USB端口

可通过Mac OS X或Windows计算机连接Converters Setup软件。Mini Converter的内部软件也可通过这一USB端口更新。

#### 8 POWER +12V

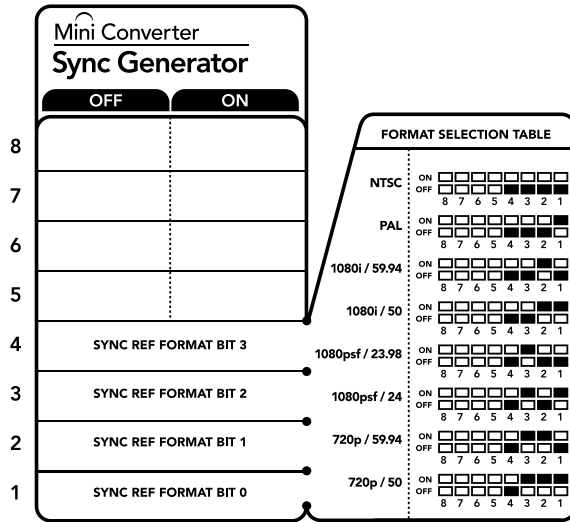
12V电源输入。

## 开关

Mini Converter Sync Generator的开关具有以下设置功能：

### 1、2、3、4号开关-同步格式BIT 0、1、2、3

4、3、2号开关合在一起可提供以下多种同步视频格式：



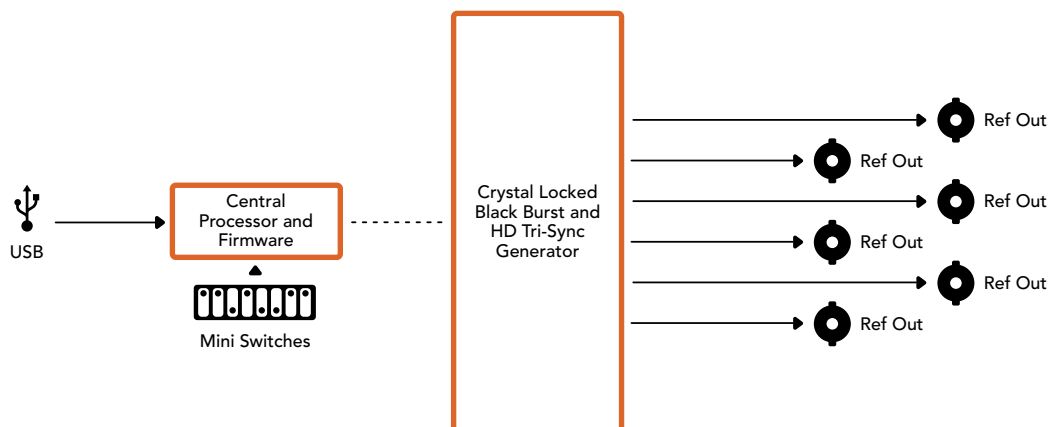
转换器背面印有开关示意图，图中详细介绍了更改转换设置所需的全部信息。

## 视频格式选择表

视频格式	4号开关	3号开关	2号开关	1号开关	开关示意图
NTSC	OFF (关)	OFF (关)	OFF (关)	OFF (关)	ON <input type="checkbox"/> <input type="checkbox"/> <input type="checkbox"/> <input type="checkbox"/> <input type="checkbox"/> <input type="checkbox"/> <input type="checkbox"/> <input type="checkbox"/> <input type="checkbox"/> <input type="checkbox"/> OFF <input type="checkbox"/> <input type="checkbox"/> <input type="checkbox"/> <input type="checkbox"/> <input type="checkbox"/> <input type="checkbox"/> <input type="checkbox"/> <input type="checkbox"/> <input type="checkbox"/> <input type="checkbox"/>
PAL	OFF (关)	OFF (关)	OFF (关)	ON (开)	ON <input type="checkbox"/> <input type="checkbox"/> <input type="checkbox"/> <input type="checkbox"/> <input type="checkbox"/> <input type="checkbox"/> <input type="checkbox"/> <input type="checkbox"/> <input type="checkbox"/> <input type="checkbox"/> OFF <input type="checkbox"/> <input type="checkbox"/> <input type="checkbox"/> <input type="checkbox"/> <input type="checkbox"/> <input type="checkbox"/> <input type="checkbox"/> <input type="checkbox"/> <input type="checkbox"/> <input type="checkbox"/>
720p50	OFF (关)	ON (开)	ON (开)	ON (开)	ON <input type="checkbox"/> <input type="checkbox"/> <input type="checkbox"/> <input type="checkbox"/> <input type="checkbox"/> <input type="checkbox"/> <input type="checkbox"/> <input type="checkbox"/> <input type="checkbox"/> <input type="checkbox"/> OFF <input type="checkbox"/> <input type="checkbox"/> <input type="checkbox"/> <input type="checkbox"/> <input type="checkbox"/> <input type="checkbox"/> <input type="checkbox"/> <input type="checkbox"/> <input type="checkbox"/> <input type="checkbox"/>
720p59.94	OFF (关)	ON (开)	ON (开)	OFF (关)	ON <input type="checkbox"/> <input type="checkbox"/> <input type="checkbox"/> <input type="checkbox"/> <input type="checkbox"/> <input type="checkbox"/> <input type="checkbox"/> <input type="checkbox"/> <input type="checkbox"/> <input type="checkbox"/> OFF <input type="checkbox"/> <input type="checkbox"/> <input type="checkbox"/> <input type="checkbox"/> <input type="checkbox"/> <input type="checkbox"/> <input type="checkbox"/> <input type="checkbox"/> <input type="checkbox"/> <input type="checkbox"/>
720p60	ON (开)	ON (开)	ON (开)	OFF (关)	ON <input type="checkbox"/> <input type="checkbox"/> <input type="checkbox"/> <input type="checkbox"/> <input type="checkbox"/> <input type="checkbox"/> <input type="checkbox"/> <input type="checkbox"/> <input type="checkbox"/> <input type="checkbox"/> OFF <input type="checkbox"/> <input type="checkbox"/> <input type="checkbox"/> <input type="checkbox"/> <input type="checkbox"/> <input type="checkbox"/> <input type="checkbox"/> <input type="checkbox"/> <input type="checkbox"/> <input type="checkbox"/>
1080i50	OFF (关)	OFF (关)	ON (开)	ON (开)	ON <input type="checkbox"/> <input type="checkbox"/> <input type="checkbox"/> <input type="checkbox"/> <input type="checkbox"/> <input type="checkbox"/> <input type="checkbox"/> <input type="checkbox"/> <input type="checkbox"/> <input type="checkbox"/> OFF <input type="checkbox"/> <input type="checkbox"/> <input type="checkbox"/> <input type="checkbox"/> <input type="checkbox"/> <input type="checkbox"/> <input type="checkbox"/> <input type="checkbox"/> <input type="checkbox"/> <input type="checkbox"/>
1080i59.94	OFF (关)	OFF (关)	ON (开)	OFF (关)	ON <input type="checkbox"/> <input type="checkbox"/> <input type="checkbox"/> <input type="checkbox"/> <input type="checkbox"/> <input type="checkbox"/> <input type="checkbox"/> <input type="checkbox"/> <input type="checkbox"/> <input type="checkbox"/> OFF <input type="checkbox"/> <input type="checkbox"/> <input type="checkbox"/> <input type="checkbox"/> <input type="checkbox"/> <input type="checkbox"/> <input type="checkbox"/> <input type="checkbox"/> <input type="checkbox"/> <input type="checkbox"/>
1080i60	ON (开)	OFF (关)	OFF (关)	OFF (关)	ON <input type="checkbox"/> <input type="checkbox"/> <input type="checkbox"/> <input type="checkbox"/> <input type="checkbox"/> <input type="checkbox"/> <input type="checkbox"/> <input type="checkbox"/> <input type="checkbox"/> <input type="checkbox"/> OFF <input type="checkbox"/> <input type="checkbox"/> <input type="checkbox"/> <input type="checkbox"/> <input type="checkbox"/> <input type="checkbox"/> <input type="checkbox"/> <input type="checkbox"/> <input type="checkbox"/> <input type="checkbox"/>

视频格式	4号开关	3号开关	2号开关	1号开关	开关示意图
1080PsF23.98	OFF (关)	ON (开)	OFF (关)	OFF (关)	ON OFF
1080PsF24	OFF (关)	ON (开)	OFF (关)	ON (开)	ON OFF
1080p23.98	ON (开)	ON (开)	OFF (关)	ON (开)	ON OFF
1080p24	ON (开)	ON (开)	OFF (关)	OFF (关)	ON OFF
1080p25	ON (开)	OFF (关)	ON (开)	ON (开)	ON OFF
1080p29.97	ON (开)	OFF (关)	ON (开)	OFF (关)	ON OFF
1080p30	ON (开)	OFF (关)	OFF (关)	ON (开)	ON OFF

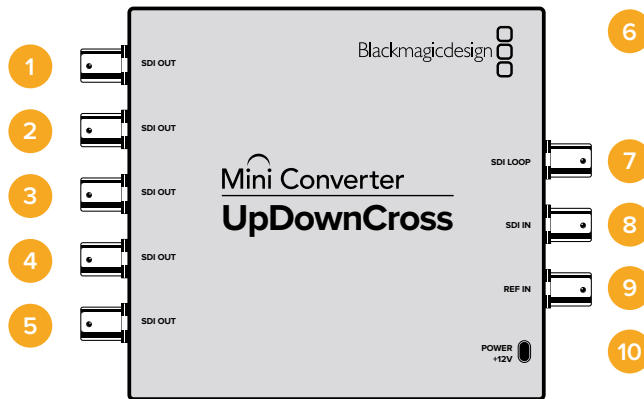
### Mini Converter Sync Generator原理图



## Mini Converter UpDownCross

Mini Converter UpDownCross可进行上、下和交叉变换以及NTSC/PAL制式转换和格式转换。它可在720p和1080i以及PAL和NTSC等视频格式之间进行转换。同时还提供了带有4:3 Pillarbox (左右加黑边) 及16:9缩放等宽高比的上变换, 以及带有4:3 Letterbox (上下加黑边) 及16:9 Anamorphic (变形) 的下变换选项。

当转换处理置为“OFF”(关)时, Mini Converter相当于一台SDI分配放大器。



### 接口

- 1-5 SDI OUT**  
BNC接口, SDI视频输出。
- 6 Mini-B USB端口**  
可通过Mac OS X或Windows计算机连接Converters Setup软件。Mini Converter的内部软件也可通过这一USB端口更新。
- 7 SDI LOOP**  
可直接输出您的输入视频。
- 8 SDI IN**  
SDI输入。
- 9 REF IN**  
同步视频输入。
- 10 POWER +12V**  
12V电源输入。

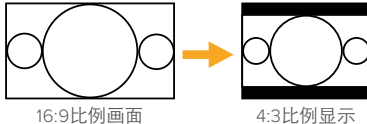
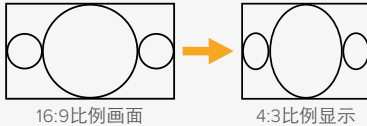
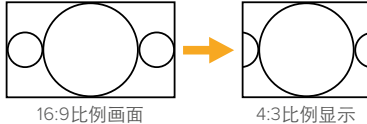
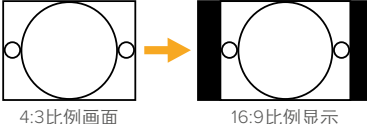
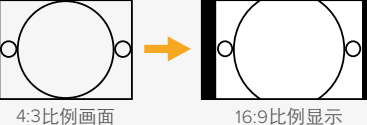
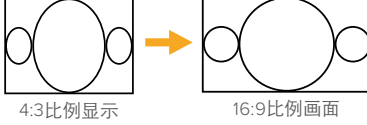
### 开关

Mini Converter UpDownCross的开关具有以下设置功能:

#### 8号开关 - 宽高比转换

当上或下变换时, 8和7号开关的组合设定了视频的宽高比。例如, 当下变换时, 将8和7号开关置为“OFF”(关)时, 会应用上下加黑边宽高比。

## 宽高比转换表

下变换		8号开关	7号开关	开关示意图
Letterbox (上下加黑边)		OFF (关)	OFF (关)	ON <input type="checkbox"/> <input type="checkbox"/> <input type="checkbox"/> <input type="checkbox"/> <input type="checkbox"/> <input type="checkbox"/> <input type="checkbox"/> <input type="checkbox"/> OFF <input checked="" type="checkbox"/> <input type="checkbox"/> <input type="checkbox"/> <input type="checkbox"/> <input type="checkbox"/> <input type="checkbox"/> <input type="checkbox"/> <input type="checkbox"/>
Anamorphic (变形)		OFF (关)	ON (开)	ON <input checked="" type="checkbox"/> <input type="checkbox"/> <input type="checkbox"/> <input type="checkbox"/> <input type="checkbox"/> <input type="checkbox"/> <input type="checkbox"/> <input type="checkbox"/> OFF <input checked="" type="checkbox"/> <input type="checkbox"/> <input type="checkbox"/> <input type="checkbox"/> <input type="checkbox"/> <input type="checkbox"/> <input type="checkbox"/> <input type="checkbox"/>
Center Cut (左右切边)		ON (开)	ON (开)	ON <input checked="" type="checkbox"/> <input checked="" type="checkbox"/> <input type="checkbox"/> <input type="checkbox"/> <input type="checkbox"/> <input type="checkbox"/> <input type="checkbox"/> <input type="checkbox"/> OFF <input type="checkbox"/> <input type="checkbox"/> <input type="checkbox"/> <input type="checkbox"/> <input type="checkbox"/> <input type="checkbox"/> <input type="checkbox"/> <input type="checkbox"/>
上变换		8号开关	7号开关	开关示意图
4:3 Pillarbox (左右加黑边)		OFF (关)	OFF (关)	ON <input type="checkbox"/> <input type="checkbox"/> <input type="checkbox"/> <input type="checkbox"/> <input type="checkbox"/> <input type="checkbox"/> <input type="checkbox"/> <input type="checkbox"/> OFF <input checked="" type="checkbox"/> <input type="checkbox"/> <input type="checkbox"/> <input type="checkbox"/> <input type="checkbox"/> <input type="checkbox"/> <input type="checkbox"/> <input type="checkbox"/>
14:9 Pillarbox (左右加黑边)		OFF (关)	ON (开)	ON <input type="checkbox"/> <input type="checkbox"/> <input type="checkbox"/> <input type="checkbox"/> <input type="checkbox"/> <input type="checkbox"/> <input type="checkbox"/> <input type="checkbox"/> OFF <input checked="" type="checkbox"/> <input type="checkbox"/> <input type="checkbox"/> <input type="checkbox"/> <input type="checkbox"/> <input type="checkbox"/> <input type="checkbox"/> <input type="checkbox"/>
16:9 De-Squeeze (压缩还原)		ON (开)	ON (开)	ON <input checked="" type="checkbox"/> <input checked="" type="checkbox"/> <input type="checkbox"/> <input type="checkbox"/> <input type="checkbox"/> <input type="checkbox"/> <input type="checkbox"/> <input type="checkbox"/> OFF <input type="checkbox"/> <input type="checkbox"/> <input type="checkbox"/> <input type="checkbox"/> <input type="checkbox"/> <input type="checkbox"/> <input type="checkbox"/> <input type="checkbox"/>

您可能已经注意到了8和7号开关共享上、下变换设置。这是因为宽高比设置是由输出设置决定的。例如，如果您将3和2号开关设为1080i50 HD输出，再将1号开关设为“ON”（开），那么Mini Converter UpDownCross就会自动将8和7号开关设成下变换。

每种宽高比转换的描述如下:

### 上变换

- **4:3 Pillarbox (左右加黑边) :**  
此设置可在HD 16:9画幅内显示4:3 SD图像。左右两侧留有黑边。
- **14:9 Pillarbox (左右加黑边) :**  
此设置是4:3 Pillarbox (左右加黑边) 和16:9 Zoom (16:9缩放) 的折中方案。SD 4:3图像将被略微放大, 以便16:9画幅里能容纳更多图像并减少两侧黑边的程度, 但图像顶部和底部将稍有丢失。
- **16:9 De-Squeeze (压缩还原) :**  
此设置可将SD 4:3变形图像进行压缩还原直至其完全填充整个16:9画幅。4:3图像无丢失部分。

### 下变换

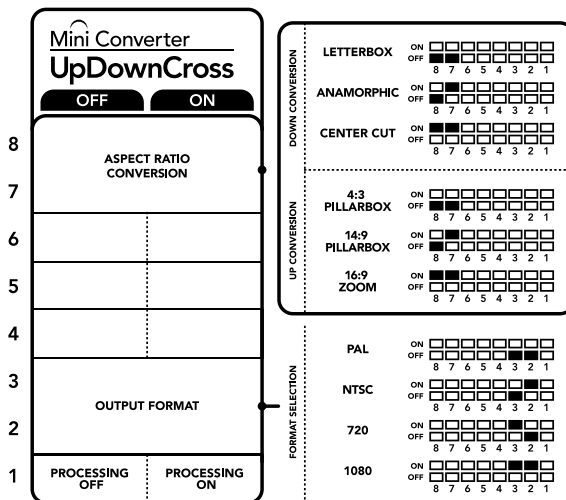
- **Letterbox (上下加黑边) :**  
此设置可将整个16:9 HD画幅按比例无挤压地缩小到4:3 SD画幅, 顶部和底部留有黑边。
- **Anamorphic (变形) :**  
此设置可将16:9 HD画幅水平挤压为4:3 SD画幅。
- **Center Cut (左右切边) :**  
此设置可将16:9 HD图像裁切成4:3 SD帧画面。此宽高比设置会损失16:9图像两侧的部分图像。

### 1号开关 - 处理停止 - 处理开始

当1号开关置为“OFF”(关)位置时, Mini Converter将绕过所有转换, 可被用于将视频分配到六台SDI设备上。

### 开关设置示例:

将8和7号开关置为“OFF”(关)且3、2和1号开关置为“ON”(开), 那么转换器将把4:3 625i50视频上变换为带有4:3 Pillarbox (左右加黑边) 宽高比的1080i50视频。



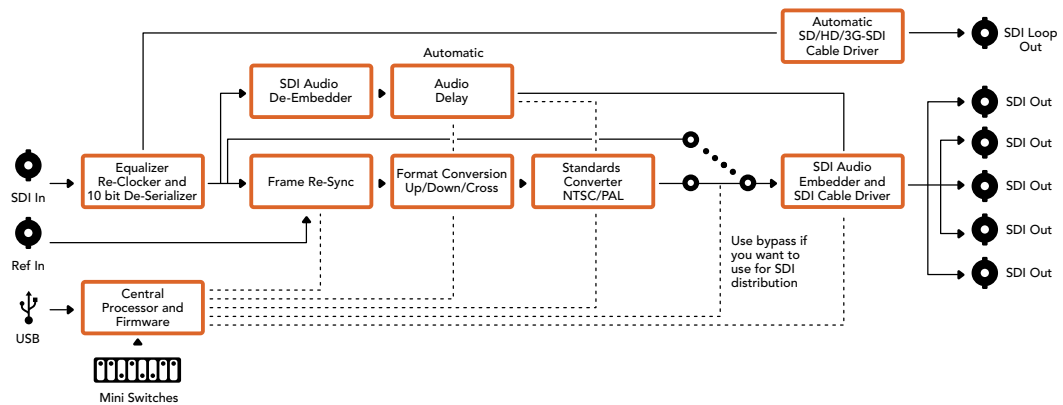
转换器背面印有开关示意图, 图中详细介绍了更改转换设置所需的全部信息。



## Mini Converter UpDownCross转换表

输入视频	NTSC 1和2号开关置 为开	PAL 1号开关置为开	720p 1和3号开关置为开	1080 1、2和3号开关置为开
525i59.94	525i59.94	625i50	720p59.94	1080i59.94
625i50	525i59.94	625i50	720p50	1080i50
720p50	525i59.94	625i50	720p50	1080i50
720p59.94	525i59.94	625i50	720p59.94	1080i59.94
720p60	525i59.94	625i50	720p60	1080i60
1080PsF23.98	525i59.94	625i50	720p59.94	1080PsF23.98
1080p23.98	525i59.94	625i50	720p59.94	1080p23.98
1080PsF24	525i59.94	625i50	720p50	1080PsF24
1080p24	525i59.94	625i50	720p50	1080p24
1080p25	525i59.94	625i50	720p50	1080p25
1080p29.97	525i59.94	625i50	720p59.94	1080p29.97
1080p30	525i59.94	625i50	720p60	1080p30
1080i50	525i59.94	625i50	720p50	1080i50
1080i59.94	525i59.94	625i50	720p59.94	1080i59.94
1080i60	525i59.94	625i50	720p60	1080i60
1080p50	525i59.94	625i50	720p50	1080p50
1080p59.94	525i59.94	625i50	720p59.94	1080p59.94
1080p60	525i59.94	625i50	720p60	1080p60
2048x1556PsF23.98	525i59.94	625i50	2048x1556PsF23.98	2048x1556PsF23.98
2048x1556PsF24	525i59.94	625i50	2048x1556PsF24	2048x1556PsF24
2048x1556PsF25	525i59.94	625i50	2048x1556PsF25	2048x1556PsF25

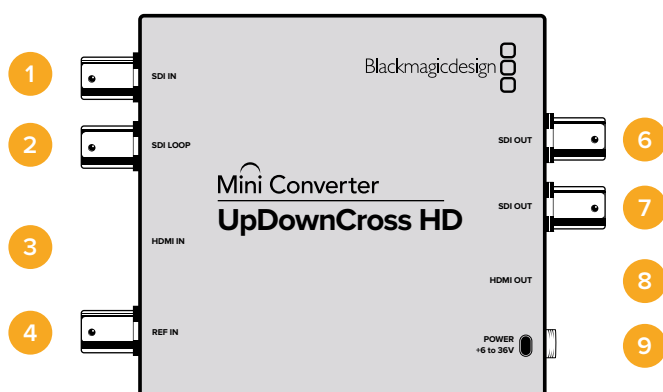
## Mini Converter UpDownCross原理图



## Mini Converter UpDownCross HD

Mini Converter UpDownCross HD是一款功能强大的格式转换器，可让您能将任意SD或HD视频格式通过SDI和HDMI进行上下或交叉变换。该转换器支持所有SD和上至1080p60的HD格式，以及带宽高比选项的NTSC和PAL制式上下变换。HDMI输入还支持1024 x 768、800 x 600以及640 x 480计算机输出分辨率。

当转换处理设置为“OFF”（关闭）时，HDMI和SDI输出都将作为直通输出，因此您可以将输入信号发送至其他HDMI或SDI设备。



### 各类接口

- 1 SDI IN**  
SDI输入。当检测到锁定SDI信号时，BNC接口旁边的小LED灯将亮起。SDI和HDMI输出同时连接时，将优先SDI输入。
- 2 SDI LOOP**  
直接直通输出您的SDI输入视频。
- 3 HDMI IN**  
HDMI A类视频输入。当检测到有效的HDMI输入时，HDMI IN接口旁边的小LED灯将亮起。
- 4 REF IN**  
同步视频输入。REF IN接口旁边的小LED亮起指示了以下同步锁定状态：  
**持续白色** - 同步输入信号与转换器上设定的输出视频格式相一致。  
**闪烁白色** - 同步输入信号是有效的视频格式，但与转换器上设定的输出视频格式不一致。
- 5 USB-C PORT**  
通过您的Mac OS X或Windows计算机连接Blackmagic Converters Setup软件。Mini Converter的内部软件也可通过这一USB端口更新。
- 6-7 SDI OUT**  
BNC接口，SDI视频输出。
- 8 HDMI OUT**  
HDMI A类视频输出。
- 9 POWER +6 to 36V**  
6至36V电源输入。转换器接口可用螺丝拧紧，以防意外断开连接。连接电源后，DC输入接口旁边的小LED灯将亮起。

## 开关

Mini Converter UpDownCross HD的开关具有以下设置功能:

### 1号开关 - 处理停止 - 处理开始

当1号开关置为“OFF”（关）位置时，该转换器将绕过所有转换，可被用于将视频分配到SDI和HDMI输出上。

当1号开关置为“OFF”（关）位置时，SDI和HDMI将输出与其对应输入相匹配的格式。

当1号开关置为“ON”（开）位置时，处理功能被开启，4号至8号开关可配置转换器输出。

### 2号开关 - A级和B级3G-SDI

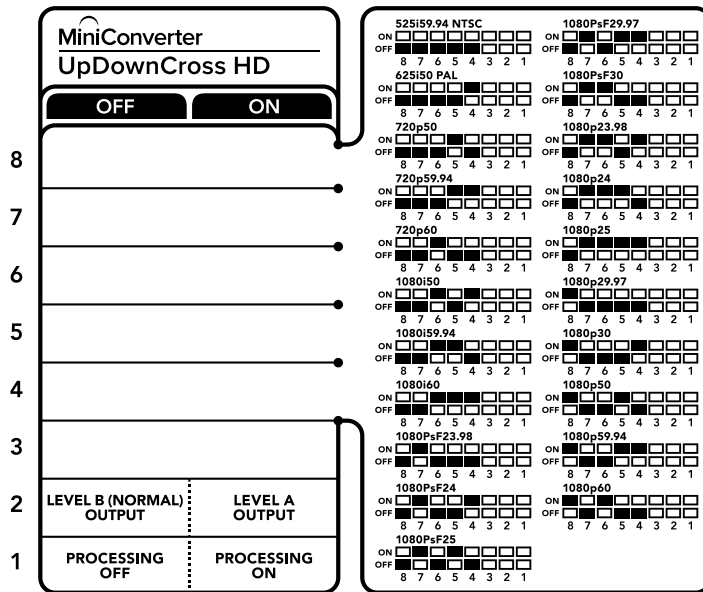
当2号开关置为“OFF”（关）位置时，转换器将输出B级3G-SDI。当置为“ON”（开）位置时，转换器将输出A级3G-SDI。此设置可让您兼容其他使用A级或B级3G-SDI的SDI设备。

**提示:** 当您3G-SDI信号与3G-SDI设备连接，却没有检测到信号时，可以尝试修改开关2的设置，因为所连接的设备可能在使用另一种SDI级别。

### 4-8号开关

4至8号开关决定了转换器输出信号的格式和制式。设备底部印有表格详列了每个格式和制式的开关配置。

### 小型开关设置案例:



## 视频格式选择表

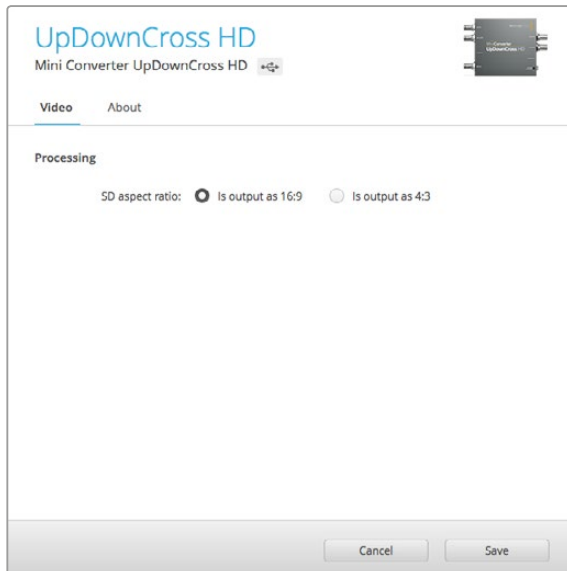
视频格式	8号开关	7号开关	6号开关	5号开关	4号开关	开关示意图
525i59.94 NTSC	关	关	关	关	关	ON <input type="checkbox"/> <input type="checkbox"/> <input type="checkbox"/> <input type="checkbox"/> <input type="checkbox"/> <input type="checkbox"/> <input type="checkbox"/> <input type="checkbox"/> OFF <input type="checkbox"/> <input type="checkbox"/> <input type="checkbox"/> <input type="checkbox"/> <input type="checkbox"/> <input type="checkbox"/> <input type="checkbox"/> <input type="checkbox"/> 8 7 6 5 4 3 2 1
625i50 PAL	关	关	关	关	开	ON <input type="checkbox"/> <input type="checkbox"/> <input type="checkbox"/> <input type="checkbox"/> <input type="checkbox"/> <input type="checkbox"/> <input type="checkbox"/> <input type="checkbox"/> OFF <input type="checkbox"/> <input type="checkbox"/> <input type="checkbox"/> <input type="checkbox"/> <input type="checkbox"/> <input type="checkbox"/> <input type="checkbox"/> <input type="checkbox"/> 8 7 6 5 4 3 2 1
720p50	关	关	关	开	关	ON <input type="checkbox"/> <input type="checkbox"/> <input type="checkbox"/> <input type="checkbox"/> <input type="checkbox"/> <input type="checkbox"/> <input type="checkbox"/> <input type="checkbox"/> OFF <input type="checkbox"/> <input type="checkbox"/> <input type="checkbox"/> <input type="checkbox"/> <input type="checkbox"/> <input type="checkbox"/> <input type="checkbox"/> <input type="checkbox"/> 8 7 6 5 4 3 2 1
720p59.94	关	关	关	开	开	ON <input type="checkbox"/> <input type="checkbox"/> <input type="checkbox"/> <input type="checkbox"/> <input type="checkbox"/> <input type="checkbox"/> <input type="checkbox"/> <input type="checkbox"/> OFF <input type="checkbox"/> <input type="checkbox"/> <input type="checkbox"/> <input type="checkbox"/> <input type="checkbox"/> <input type="checkbox"/> <input type="checkbox"/> <input type="checkbox"/> 8 7 6 5 4 3 2 1
720p60	关	关	开	关	开	ON <input type="checkbox"/> <input type="checkbox"/> <input type="checkbox"/> <input type="checkbox"/> <input type="checkbox"/> <input type="checkbox"/> <input type="checkbox"/> <input type="checkbox"/> OFF <input type="checkbox"/> <input type="checkbox"/> <input type="checkbox"/> <input type="checkbox"/> <input type="checkbox"/> <input type="checkbox"/> <input type="checkbox"/> <input type="checkbox"/> 8 7 6 5 4 3 2 1
1080i50	关	关	开	关	开	ON <input type="checkbox"/> <input type="checkbox"/> <input type="checkbox"/> <input type="checkbox"/> <input type="checkbox"/> <input type="checkbox"/> <input type="checkbox"/> <input type="checkbox"/> OFF <input type="checkbox"/> <input type="checkbox"/> <input type="checkbox"/> <input type="checkbox"/> <input type="checkbox"/> <input type="checkbox"/> <input type="checkbox"/> <input type="checkbox"/> 8 7 6 5 4 3 2 1
1080i59.94	关	关	开	开	关	ON <input type="checkbox"/> <input type="checkbox"/> <input type="checkbox"/> <input type="checkbox"/> <input type="checkbox"/> <input type="checkbox"/> <input type="checkbox"/> <input type="checkbox"/> OFF <input type="checkbox"/> <input type="checkbox"/> <input type="checkbox"/> <input type="checkbox"/> <input type="checkbox"/> <input type="checkbox"/> <input type="checkbox"/> <input type="checkbox"/> 8 7 6 5 4 3 2 1
1080i60	关	关	开	开	开	ON <input type="checkbox"/> <input type="checkbox"/> <input type="checkbox"/> <input type="checkbox"/> <input type="checkbox"/> <input type="checkbox"/> <input type="checkbox"/> <input type="checkbox"/> OFF <input type="checkbox"/> <input type="checkbox"/> <input type="checkbox"/> <input type="checkbox"/> <input type="checkbox"/> <input type="checkbox"/> <input type="checkbox"/> <input type="checkbox"/> 8 7 6 5 4 3 2 1
1080PsF23.98	关	开	关	关	关	ON <input type="checkbox"/> <input type="checkbox"/> <input type="checkbox"/> <input type="checkbox"/> <input type="checkbox"/> <input type="checkbox"/> <input type="checkbox"/> <input type="checkbox"/> OFF <input type="checkbox"/> <input type="checkbox"/> <input type="checkbox"/> <input type="checkbox"/> <input type="checkbox"/> <input type="checkbox"/> <input type="checkbox"/> <input type="checkbox"/> 8 7 6 5 4 3 2 1
1080PsF24	关	开	关	关	开	ON <input type="checkbox"/> <input type="checkbox"/> <input type="checkbox"/> <input type="checkbox"/> <input type="checkbox"/> <input type="checkbox"/> <input type="checkbox"/> <input type="checkbox"/> OFF <input type="checkbox"/> <input type="checkbox"/> <input type="checkbox"/> <input type="checkbox"/> <input type="checkbox"/> <input type="checkbox"/> <input type="checkbox"/> <input type="checkbox"/> 8 7 6 5 4 3 2 1
1080PsF25	关	开	关	开	关	ON <input type="checkbox"/> <input type="checkbox"/> <input type="checkbox"/> <input type="checkbox"/> <input type="checkbox"/> <input type="checkbox"/> <input type="checkbox"/> <input type="checkbox"/> OFF <input type="checkbox"/> <input type="checkbox"/> <input type="checkbox"/> <input type="checkbox"/> <input type="checkbox"/> <input type="checkbox"/> <input type="checkbox"/> <input type="checkbox"/> 8 7 6 5 4 3 2 1
1080PsF29.97	关	开	关	开	开	ON <input type="checkbox"/> <input type="checkbox"/> <input type="checkbox"/> <input type="checkbox"/> <input type="checkbox"/> <input type="checkbox"/> <input type="checkbox"/> <input type="checkbox"/> OFF <input type="checkbox"/> <input type="checkbox"/> <input type="checkbox"/> <input type="checkbox"/> <input type="checkbox"/> <input type="checkbox"/> <input type="checkbox"/> <input type="checkbox"/> 8 7 6 5 4 3 2 1
1080PsF30	关	开	开	关	关	ON <input type="checkbox"/> <input type="checkbox"/> <input type="checkbox"/> <input type="checkbox"/> <input type="checkbox"/> <input type="checkbox"/> <input type="checkbox"/> <input type="checkbox"/> OFF <input type="checkbox"/> <input type="checkbox"/> <input type="checkbox"/> <input type="checkbox"/> <input type="checkbox"/> <input type="checkbox"/> <input type="checkbox"/> <input type="checkbox"/> 8 7 6 5 4 3 2 1
1080p23.98	关	开	开	关	开	ON <input type="checkbox"/> <input type="checkbox"/> <input type="checkbox"/> <input type="checkbox"/> <input type="checkbox"/> <input type="checkbox"/> <input type="checkbox"/> <input type="checkbox"/> OFF <input type="checkbox"/> <input type="checkbox"/> <input type="checkbox"/> <input type="checkbox"/> <input type="checkbox"/> <input type="checkbox"/> <input type="checkbox"/> <input type="checkbox"/> 8 7 6 5 4 3 2 1
1080p24	关	开	开	开	关	ON <input type="checkbox"/> <input type="checkbox"/> <input type="checkbox"/> <input type="checkbox"/> <input type="checkbox"/> <input type="checkbox"/> <input type="checkbox"/> <input type="checkbox"/> OFF <input type="checkbox"/> <input type="checkbox"/> <input type="checkbox"/> <input type="checkbox"/> <input type="checkbox"/> <input type="checkbox"/> <input type="checkbox"/> <input type="checkbox"/> 8 7 6 5 4 3 2 1
1080p25	关	开	开	开	开	ON <input type="checkbox"/> <input type="checkbox"/> <input type="checkbox"/> <input type="checkbox"/> <input type="checkbox"/> <input type="checkbox"/> <input type="checkbox"/> <input type="checkbox"/> OFF <input type="checkbox"/> <input type="checkbox"/> <input type="checkbox"/> <input type="checkbox"/> <input type="checkbox"/> <input type="checkbox"/> <input type="checkbox"/> <input type="checkbox"/> 8 7 6 5 4 3 2 1
1080p29.97	关	开	开	开	关	ON <input type="checkbox"/> <input type="checkbox"/> <input type="checkbox"/> <input type="checkbox"/> <input type="checkbox"/> <input type="checkbox"/> <input type="checkbox"/> <input type="checkbox"/> OFF <input type="checkbox"/> <input type="checkbox"/> <input type="checkbox"/> <input type="checkbox"/> <input type="checkbox"/> <input type="checkbox"/> <input type="checkbox"/> <input type="checkbox"/> 8 7 6 5 4 3 2 1
1080p30	开	关	关	关	开	ON <input type="checkbox"/> <input type="checkbox"/> <input type="checkbox"/> <input type="checkbox"/> <input type="checkbox"/> <input type="checkbox"/> <input type="checkbox"/> <input type="checkbox"/> OFF <input type="checkbox"/> <input type="checkbox"/> <input type="checkbox"/> <input type="checkbox"/> <input type="checkbox"/> <input type="checkbox"/> <input type="checkbox"/> <input type="checkbox"/> 8 7 6 5 4 3 2 1
1080p50	开	关	关	开	关	ON <input type="checkbox"/> <input type="checkbox"/> <input type="checkbox"/> <input type="checkbox"/> <input type="checkbox"/> <input type="checkbox"/> <input type="checkbox"/> <input type="checkbox"/> OFF <input type="checkbox"/> <input type="checkbox"/> <input type="checkbox"/> <input type="checkbox"/> <input type="checkbox"/> <input type="checkbox"/> <input type="checkbox"/> <input type="checkbox"/> 8 7 6 5 4 3 2 1
1080p59.94	开	关	关	开	开	ON <input type="checkbox"/> <input type="checkbox"/> <input type="checkbox"/> <input type="checkbox"/> <input type="checkbox"/> <input type="checkbox"/> <input type="checkbox"/> <input type="checkbox"/> OFF <input type="checkbox"/> <input type="checkbox"/> <input type="checkbox"/> <input type="checkbox"/> <input type="checkbox"/> <input type="checkbox"/> <input type="checkbox"/> <input type="checkbox"/> 8 7 6 5 4 3 2 1
1080p60	开	关	开	关	关	ON <input type="checkbox"/> <input type="checkbox"/> <input type="checkbox"/> <input type="checkbox"/> <input type="checkbox"/> <input type="checkbox"/> <input type="checkbox"/> <input type="checkbox"/> OFF <input type="checkbox"/> <input type="checkbox"/> <input type="checkbox"/> <input type="checkbox"/> <input type="checkbox"/> <input type="checkbox"/> <input type="checkbox"/> <input type="checkbox"/> 8 7 6 5 4 3 2 1

## 转换器设置实用程序

Blackmagic Converters Setup实用程序可用于更改Mini Converter的宽高比等各项设置并更新转换器的内部软件。即使Mini Converter电源关闭时，所有实用设置功能也都能得以保持。在“Video”（视频）、“Audio”（音频）、以及“About”（关于）选项卡之间移动实现各种设置。

“About”（关于）选项卡的相关内容在本手册“更改设置”部分进行了详述。

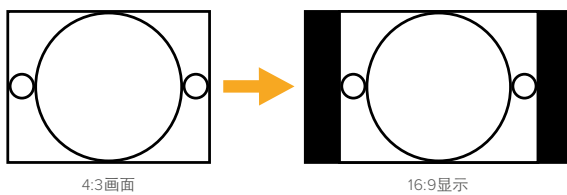
Mini Converter UpDownCross HD的“Video”（视频）选项卡包含了如下设置：



Converters Setup软件中的“Video”（视频）选项卡用来选择SD宽高比。

## 标清宽高比

取消勾选此复选框可输出4:3左右加黑边视频。启用此复选框可输出16:9 SD版本。例如，如果您的输入视频是SD 4:3，那么取消勾选此复选框就能输出4:3左右加黑边视频，在16:9的画幅中保留原版4:3的宽高比。但如果输入视频是SD 16:9，那么勾选此复选框就能直接输出16:9转换。

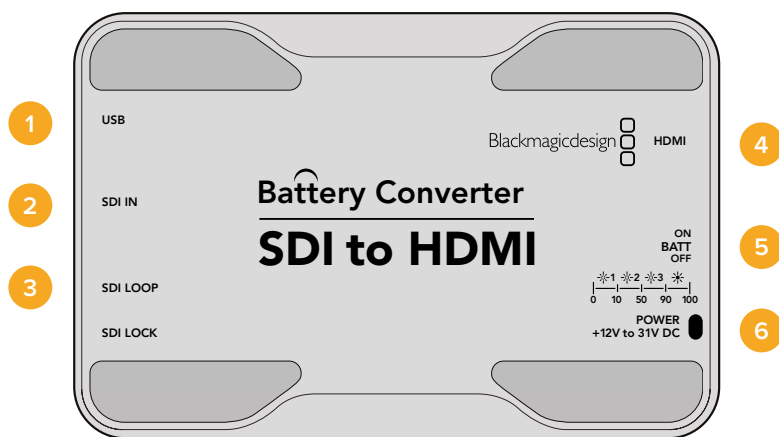


实用程序中的默认宽高比设置将输出4:3左右加黑边SD视频，但如有需要，您可以在实用程序里的“Video”（视频）选项卡中勾选此复选框来保持16:9宽高比。

# Blackmagic Battery Converter系列

## Battery Converter SDI to HDMI

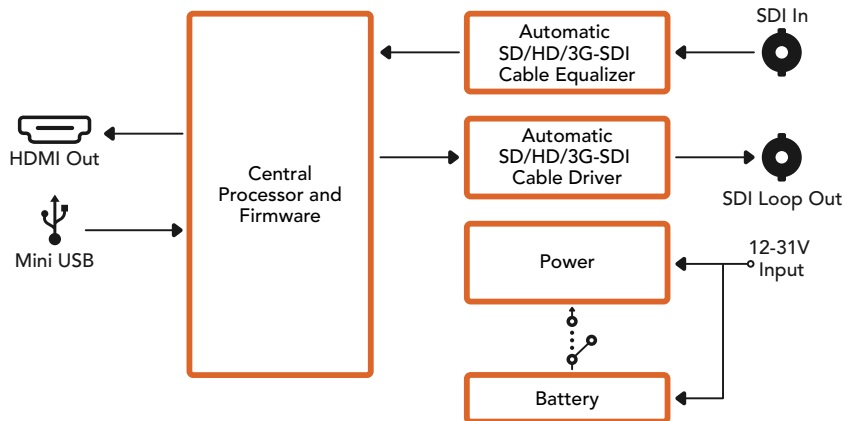
Battery Converter SDI to HDMI可让您将类型广泛的HDMI显示器和视频投影仪连接到SDI设备上。它可自动检测SD/HD/3G-SDI并转换为带有加嵌音频的HDMI信号。Battery Converter SDI to HDMI配有一个内置充电电池，其航空铝材机身设有凹槽式接口设计，可起到保护作用。



### 接口

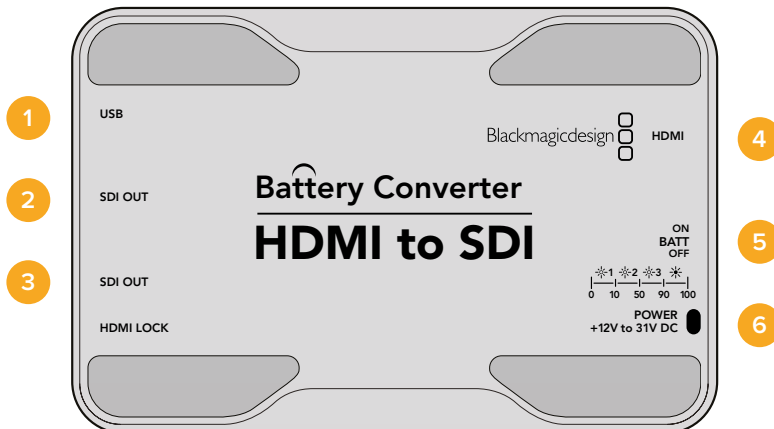
- 1 Mini-B USB端口**  
可通过Mac OS X或Windows计算机连接Blackmagic Converters Setup软件。Mini Converter的内部软件也可通过这一USB端口更新。
- 2 SDI IN**  
BNC接口，主SDI输入。
- 3 SDI LOOP**  
BNC接口，SDI输入的环通输出。
- 4 HDMI**  
HDMI A类视频输出。
- 5 ON BATT OFF**  
开启或关闭电池电源。置为“ON”（开）时，即使断开外部电源，Battery Converter仍将继续工作。置为“OFF”（关）时，仅使用外部电源，以保存转换器的电池电量。开关附近的LED提示灯可表示电池充电程度，持续亮起代表100%电量，闪烁三次代表50%到90%电量，闪烁两次代表10%到50%电量，闪烁一次代表剩余不到10%电量。
- 6 POWER +12V**  
12V电源输入。

## Battery Converter SDI to HDMI原理图



## Battery Converter HDMI to SDI

Battery Converter HDMI to SDI可从HDV摄影机和游戏机等设备的HDMI输出转换到SDI。换言之，您可以使用最长的SDI线缆，将来自HDMI的视频信号发送到SDI上，甚至可以为配备HDMI兼容的计算机添加SDI输出。Battery Converter HDMI to SDI配有一个内置充电电池。接口采用凹槽式设计，且由航空铝材机座保护。



### 接口

- 1 Mini-B USB端口**  
可通过Mac OS X或Windows计算机连接Blackmagic Converters Setup软件。Mini Converter的内部软件也可通过这一USB端口更新。
- 2 SDI OUT**  
BNC接口，SDI视频输出。
- 3 SDI OUT**  
备用SDI视频输出。
- 4 HDMI**  
HDMI A类视频输入。

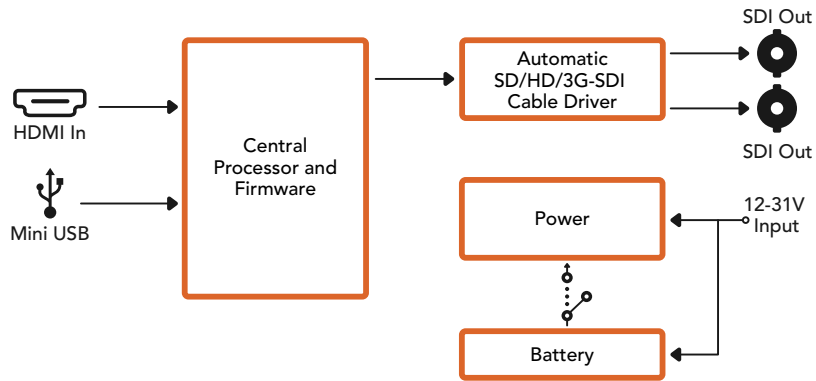
## 5 ON BATT OFF

开启或关闭电池电源。置为“ON”（开）时，即使断开外部电源，Battery Converter仍将继续工作。置为“OFF”（关）时，仅使用外部电源，以保存转换器的电池电量。开关附近的LED提示灯可表示电池充电程度，持续亮起代表100%电量，闪烁三次代表50%到90%电量，闪烁两次代表10%到50%电量，闪烁一次代表剩余不到10%电量。

## 6 POWER +12V

12V电源输入。

### Battery Converter HDMI to SDI原理图





# 帮助

## 获得帮助

获得帮助最快捷的方法是登陆Blackmagic Design在线支持页面，浏览Blackmagic Converter的相关最新支持材料。

### Blackmagic Design在线支持页面

请登陆Blackmagic Design支持中心[www.blackmagicdesign.com/cn/support](http://www.blackmagicdesign.com/cn/support)获得最新版操作手册、软件以及技术答疑文章。

### Blackmagic Design论坛

您可以登陆我们的网站访问Blackmagic Design论坛，获得更多信息和有用的创意资源。访问论坛也是获取帮助的一个捷径，因为论坛中不乏经验丰富的用户和Blackmagic Design的员工，他们都能为您答疑解惑。请登陆网址<http://forum.blackmagicdesign.com>进入论坛。

### 联系Blackmagic Design支持中心

如果我们提供的支持信息和论坛均无法解答您的疑问，请到支持页面下点击“给我们发送电子邮件”按钮即可发送技术支持请求。或者，您也可以点击“查找您所在地区的支持团队”按钮，致电您所在地区的Blackmagic Design支持中心获得帮助。

### 查看当前安装的软件版本

要检查您的计算机上安装的Converter Setup设置软件版本，请打开“About Blackmagic Converter Setup”窗口查看。

- 在Mac OS X系统下，请到“应用程序”文件夹下打开Blackmagic Converter Setup。点击程序菜单中的“About Blackmagic Converter Setup”后即可查看版本号。
- 在Windows 7系统下，请到开始菜单打开Blackmagic Converter Setup软件。点击“Help”（帮助）菜单并选择“Blackmagic Converter Setup”即可查看版本号。
- 在Windows 8系统下，请从开始页面的Blackmagic Converter Setup板块打开Blackmagic Converter Setup。点击“Help”（帮助）菜单并选择“Blackmagic Converter Setup”即可查看版本号。

### 如何获得软件更新

检查完您计算机上安装的Blackmagic Converter Setup软件版本后，请访问

Blackmagic Design支持中心网址：[www.blackmagicdesign.com/cn/support](http://www.blackmagicdesign.com/cn/support)查看最新软件更新。请及时将软件升级到最新版本，但切勿在重要项目制作过程中升级软件。

# 保修

## 有限保修

Blackmagic Design保证Teranex Mini Converter系列产品自购买之日起36个月内不会有材料和工艺上的缺陷；自购买之日起12个月内，接口、线缆、光纤模块、保险丝、及电池不会出现材料或工艺上的缺陷。Blackmagic Design保证Battery Converter系列产品自购买本产品之日起12个月内不会有材料和工艺上的缺陷。若本产品在保修期内出现质量问题，Blackmagic Design可选择为产品提供免费修理或更换零部件，或者更换缺陷产品。

为确保消费者有权享受本保修条款中的服务，如遇产品质量问题请务必在保修期内联系Blackmagic Design并妥善安排保修事宜。消费者应将缺陷产品包装并运送到Blackmagic Design的指定服务中心进行维修，运费由消费者承担并预先支付。若消费者因任何原因退货，所有运费、保险费、关税等各项税务以及其他费用均由消费者承担。

本保修条款不适用于任何因使用、维护不当或保养不周造成的缺陷、故障或损坏。根据本保修服务，Blackmagic Design的保修服务范围不包括以下内容：1. 对由非Blackmagic Design专门人员进行的安装、维修或保养所造成的损坏进行维修，2. 对因使用不当或连接到不兼容设备所造成的损坏进行维修，3. 对因使用了非Blackmagic Design生产的零部件所导致的损坏或故障进行维修，及4. 对经过改装或和其他产品进行组装的产品进行保养维修（因为产品经改装或组装后会增加保养维修所需时间或保养难度）。本保修条款由BLACKMAGIC DESIGN提供，它可取代所有其他明示或隐含的保修。BLACKMAGIC DESIGN及其供应商对任何有关适销性及就特定用途的适用性等隐含保证不作任何担保。BLACKMAGIC DESIGN负责为消费者提供缺陷产品的维修或更换服务是完整和排他性补救措施，不论BLACKMAGIC DESIGN或其供应商是否事先获悉发生间接、特殊、偶然或必然损坏等损坏的可能性。若消费者对本设备进行非法使用，BLACKMAGIC DESIGN概不负责。对因使用本产品造成的损失，BLACKMAGIC DESIGN概不负责。本产品的操作风险由用户自行承担。

© Copyright 2018 Blackmagic Design 版权所有。“Blackmagic Design”、“DeckLink”、“HDLink”、“Workgroup Videohub”、“Multibridge Pro”、“Multibridge Extreme”、“Intensity”以及“Leading the creative video revolution”均为美国及其他国家的注册商标。所有其他公司名称及产品名称可能是其他所有者的注册商标。



설치 및 사용 설명서

# Blackmagic Converters

2018 년 06 월

한국어



## 환영합니다.

프로덕션 작업을 위해 Blackmagic Converter를 구입해 주셔서 감사합니다.

Blackmagic Mini Converter와 Mini Converter Heavy Duty, Battery Converter, Micro Converter를 통해 필요한 거의 모든 변환을 제공하는 솔루션을 얻을 수 있습니다. Mini Converter는 아날로그를 디지털로, 디지털을 아날로그로, SDI를 오디오로, 오디오를 SDI로 변환할 뿐만 아니라, 업/다운/크로스 컨버전과 SDI 분배를 지원하며 동기 신호 발생기를 통해 모든 비디오 장비를 같은 레퍼런스 신호에 잠그는 기능까지 제공합니다. 동일한 컨버전을 제공하는 Mini Converter Heavy Duty는 초강력 디자인으로 야외 촬영에 최적이며, Battery Converter는 외부 또는 자체 전원을 통해 야외 촬영 현장에서 사용할 수 있습니다. 더욱 작은 크기의 Blackmagic Micro Converter는 SDI에서 HDMI로 그리고 HDMI에서 SDI로 변환하는 등의 자주 사용하는 컨버전을 지원하여 모든 HDMI 출력을 SDI 비디오 리코더 및 스위처에 연결하거나 SDI 비디오 장비를 HDMI 모니터에 연결할 수 있습니다.

이 설명서에는 Blackmagic Converter 사용에 필요한 모든 정보가 담겨있습니다.

자사의 웹사이트 [www.blackmagicdesign.com/kr](http://www.blackmagicdesign.com/kr) 고객지원 페이지에서 최신 버전의 Blackmagic Converter 내부 소프트웨어 업데이트를 확인하실 수 있습니다. 내부 소프트웨어 업데이트를 통해 모든 새로운 기능을 이용하실 수 있습니다. 소프트웨어를 다운로드할 때 사용자 정보를 등록하시면 새로운 소프트웨어가 출시될 때마다 업데이트 소식을 받아보실 수 있습니다. 저희는 새로운 기능과 제품 향상을 위해서 끊임 없이 노력하고 있으며, 항상 고객 여러분의 의견을 기다립니다!

Blackmagic Design의 CEO 그랜트 페티



# 목차

## Blackmagic Converters

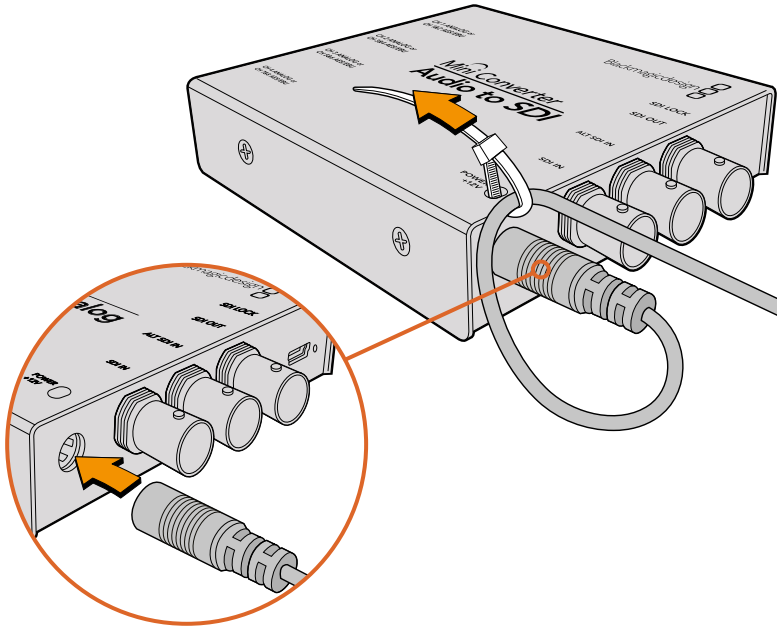
<b>시작하기</b>	545	Mini Converter HDMI to SDI 4K	574
전원 연결하기	545	Mini Converter HDMI to SDI 6G	577
비디오 연결하기	546	Mini Converter SDI to Analog	580
오디오 연결하기	547	Mini Converter SDI to Analog 4K	585
<b>관리용 소프트웨어 설치하기</b>	548	Mini Converter Analog to SDI	589
Blackmagic Converters Setup 설치하기	548	Mini Converter SDI to Audio	593
내부 소프트웨어 업데이트하기	549	Mini Converter SDI to Audio 4K	596
Updating Mini Converter SDI Distribution 4K	550	Mini Converter Audio to SDI	599
<b>설정 변경하기</b>	551	Mini Converter Audio to SDI 4K	603
스위치를 사용한 설정 변경	551	Mini Converter Optical Fiber	607
Blackmagic Converters Setup 에서 설정 변경하기	552	Mini Converter Optical Fiber 4K	608
<b>Blackmagic Converter 모델</b>	553	Mini Converter Optical Fiber 12G	609
<b>Teranex Mini 컨버터</b>	553	Mini Converter Quad SDI to HDMI 4K	610
<b>Blackmagic Micro Converter</b>	554	Mini Converter SDI Distribution	611
Micro Converter SDI to HDMI	554	Mini Converter SDI Distribution 4K	612
Micro Converter HDMI to SDI	555	Mini Converter SDI Multiplex 4K	613
Micro Converter BiDirectional SDI/HDMI	557	Mini Converter Sync Generator	616
<b>Blackmagic Mini Converters</b>	559	Mini Converter UpDownCross	619
Mini Converter SDI to HDMI	559	Mini Converter UpDownCross HD	623
Mini Converter SDI to HDMI 4K	562	컨버터 셋업 유틸리티	626
Mini Converter SDI to HDMI 6G	566	<b>Blackmagic Battery Converter</b>	627
Mini Converter HDMI to SDI	571	Battery Converter SDI to HDMI	627
		Battery Converter HDMI to SDI	628
		<b>지원</b>	630
		<b>보증</b>	631

## 시작하기

Blackmagic Converter 전원을 연결하고 컨버터의 비디오 입력에 소스 비디오를 연결한 뒤, 비디오 출력을 목적지 장비에 연결하면 사용 준비가 간단히 완료됩니다.

### 전원 연결하기

해당 국가에 맞는 소켓 어댑터를 사용해 제품에 포함된 12V 전원 공급 장치를 연결하세요. 컨버터에 내장 케이블 타이 포인트가 탑재된 경우, 컨버터에 전원을 쉽게 연결할 수 있습니다.



전원 케이블을 컨버터의 케이블 타이 포인트에 고정시키면 실수로 전원이 분리되는 일을 방지할 수 있습니다.

### Micro Converter

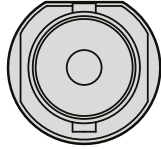
Blackmagic Micro Converter는 마이크로 USB 커넥터를 통해 전원을 공급하므로 편리하고 다양한 전원 솔루션을 제공합니다. 예를 들어, 최신 휴대폰 충전기나 노트북의 USB 포트에 연결해 컨버터에 손쉽게 전원을 공급할 수 있습니다. 표준 USB - 마이크로 USB 케이블을 통해 5V 전력 공급이 가능한 모든 장비는 Blackmagic Micro Converter에 전원을 제공할 수 있습니다.

### Battery Converter

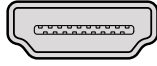
Blackmagic Battery Converter에서는 On Batt Off라고 적힌 스위치를 사용해 주 전원 또는 배터리 전원으로 전환할 수 있습니다. On으로 설정하면 Battery Converter의 외부 전원이 차단되더라도 계속 작동합니다. Off로 설정하면 외부 전원만을 사용해 내장 배터리 전력을 아낄 수 있습니다. 스위치 근처에 있는 LED를 통해 배터리 충전 상태를 확인할 수 있습니다. 100% 충전 시 불이 계속 들어오며, 50~90% 충전된 경우에는 3번 깜빡이고, 10~50% 충전된 경우에는 2번, 충전량이 10% 미만이면 1번 깜빡입니다.

## 비디오 연결하기

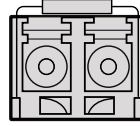
비디오 입/출력을 연결하려면, 비디오 소스를 컨버터 비디오 입력에 연결한 뒤, 비디오 출력을 목적지 장비에 연결하세요.



BNC



HDMI

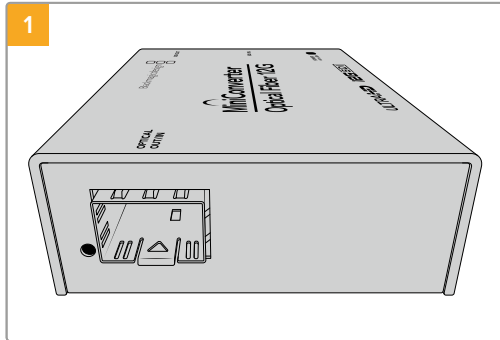


Optical Fiber

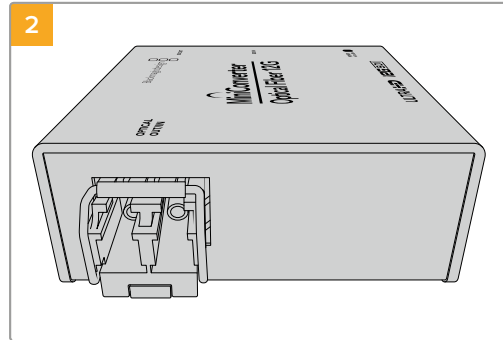
사용 중인 Blackmagic Converter 모델에 따라 BNC나 HDMI, 광섬유 LC 등의 비디오 커넥터가 사용됩니다.

### 광섬유 커넥터

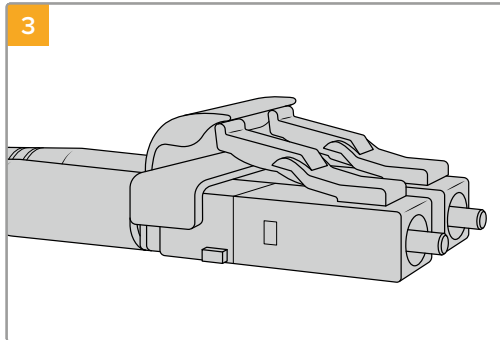
일부 Blackmagic Converter 모델에는 SFP 소켓이 포함되어 있어 최대 3G, 6G, 12G-SDI 비디오를 지원하는 호환 SFP 광섬유 모듈을 장착할 수 있습니다. 이 모듈은 광섬유 케이블을 위한 소켓이 포함되어 있는 광섬유 송수신기입니다.



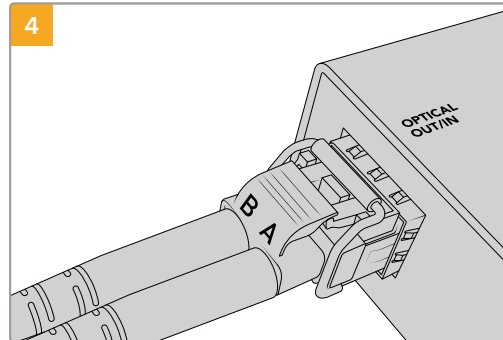
1 광 입/출력 소켓에 먼지가 묻어 있지 않은지 확인하세요.



2 SFP 광섬유 모듈 보호 덮개를 제거한 다음 SFP 소켓에 삽입하세요. 모듈이 소켓에 제대로 장착되면 잠금 핀에서 딸깍하는 소리가 납니다.



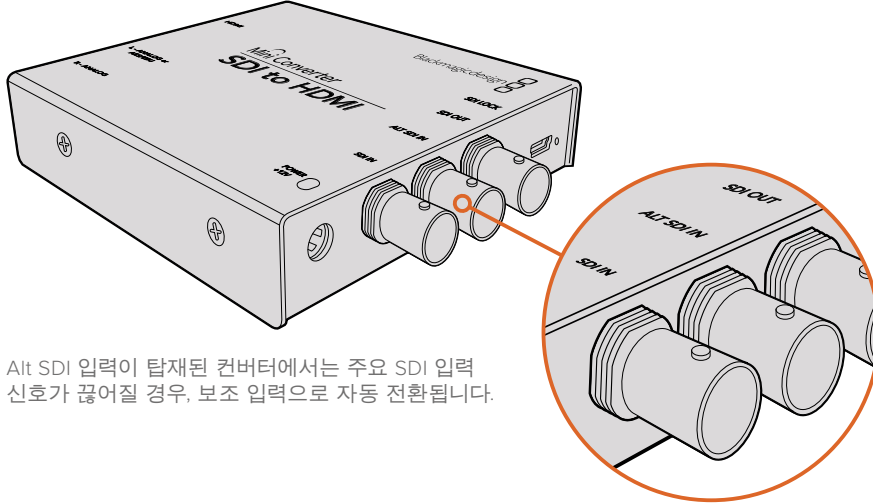
3 광섬유 케이블 상단에는 잠금 탭이 탑재되어 있어 케이블이 빠질 염려가 없습니다.



4 광섬유 케이블을 연결하세요. 출력 및 입력 플러그가 올바른 소켓에 연결되었는지, 또한 플러그의 잠금 탭이 SFP 광섬유 모듈의 레버를 제대로 지지하고 있는지 확인하세요.

### 페일세이프 대체 SDI 입력

일부 Blackmagic Converter 모델에는 리던던시 기능을 위한 대체 SDI 입력이 탑재되어 있습니다. 이러한 입력은 Alt SDI In이라고 표시되어 있으며, 주요 SDI 입력 신호가 끊어질 시 바로 연결됩니다. 드물기는 하지만 이런 일이 발생할 경우, SDI LOCK LED가 깜빡이며 컨버터가 ALT SDI 입력으로 전환되었음을 나타냅니다.

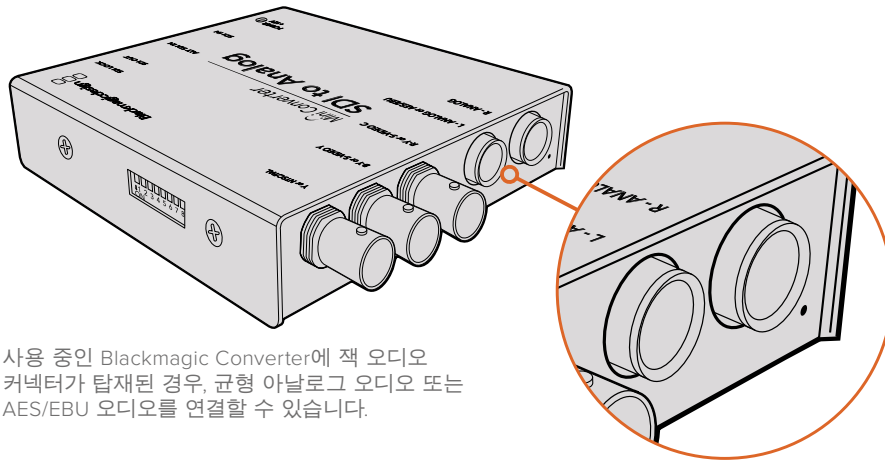


Alt SDI 입력이 탑재된 컨버터에서는 주요 SDI 입력 신호가 끊어질 경우, 보조 입력으로 자동 전환됩니다.

### 오디오 연결하기

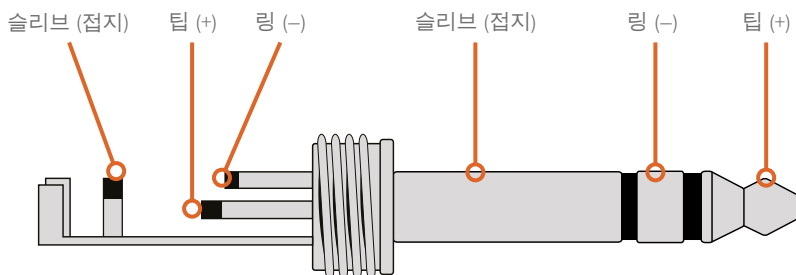
#### 잭 오디오 커넥터

부 Blackmagic Converter에는 1/4인치 잭이 내장되어 있어 균형 외부 아날로그 또는 디지털 AES/EBU 오디오를 쉽게 연결할 수 있습니다. 1/4인치 잭은 균형 TRS 커넥터입니다. TRS는 Tip/Ring/Sleeve의 약자로 잭 커넥터의 3가지 접촉 부위를 일컫는 말입니다.



사용 중인 Blackmagic Converter에 잭 오디오 커넥터가 탑재된 경우, 균형 아날로그 오디오 또는 AES/EBU 오디오를 연결할 수 있습니다.

아래의 그림에서 1/4 잭 수 커넥터 내부의 연결을 확인해 자신만의 오디오 케이블 연결을 제작할 수 있습니다.





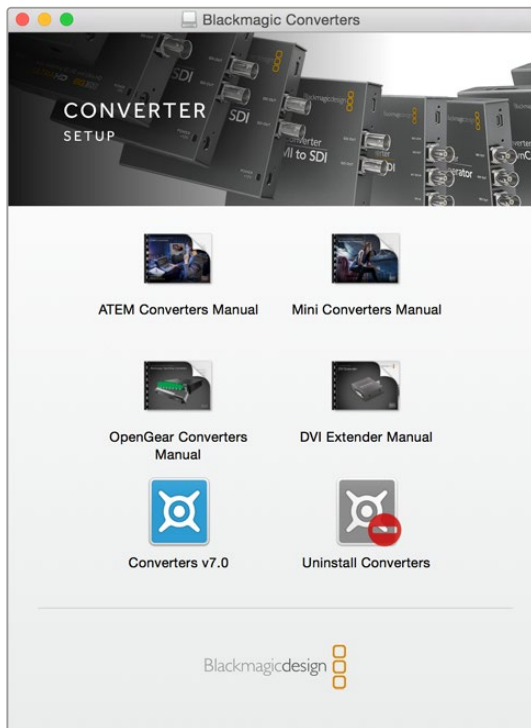
이전 페이지의 오디오 잭 그림을 통해 커넥터의 (+), (-), 접지 연결핀을 확인할 수 있습니다. 오디오 장비에 맞게 아날로그 오디오 케이블의 극성을 바꿔야 하는 경우에는 Tip과 Ring 핀의 (+)/(-) 연결을 간단히 교체하세요.

**참고** 스테레오 아날로그 오디오를 연결할 시 주의할 점은 한 채널의 잭 커넥터 극성을 전환하면 다른 한쪽도 같이 전환해야 스테레오 아날로그 오디오가 위상 반전되지 않습니다.

## 관리용 소프트웨어 설치하기

### Blackmagic Converters Setup 설치하기

Blackmagic Converters Setup은 컨버터의 설정을 변경하거나 컨버터 내부 소프트웨어를 업데이트하는 데 사용됩니다. 사용하는 컨버터에 따라 변경 가능한 설정 사항이 달라집니다. 그러나 설정 변경이 전혀 필요없거나 내부 소프트웨어가 탑재되어 있지 않는 일부 Blackmagic Converter의 경우, USB 커넥터를 지원하지 않습니다. 이런 종류의 컨버터를 사용하는 경우에는 본 설명서의 해당 컨버터 모델 부분으로 바로 이동하여 사용법을 알아볼 수 있습니다.



Blackmagic Converters Setup 유틸리티는 Mac OS X/Windows 컴퓨터에 설치할 수 있습니다.

#### Mac OS X에 설치하기

- 1 Blackmagic Converters Setup 소프트웨어를 [www.blackmagicdesign.com/kr](http://www.blackmagicdesign.com/kr) 에서 다운로드하세요.
- 2 다운로드 파일의 압축을 해제한 뒤, 디스크 이미지를 열어 콘텐츠를 확인합니다.
- 3 설치 프로그램을 더블 클릭한 뒤, 화면에 나타나는 지시에 따라 소프트웨어를 설치하세요.
- 4 설치가 끝나면 [Close]를 클릭하세요. Blackmagic Converters Setup 설치가 완료되었습니다.

## Windows에 설치하기

- 1 Blackmagic Converters Setup 소프트웨어를 [www.blackmagicdesign.com/kr](http://www.blackmagicdesign.com/kr)에서 다운로드하세요.
- 2 다운로드한 파일의 압축을 해제하세요. Blackmagic Converters Setup 폴더에 본 PDF 사용 설명서와 Blackmagic Converters Setup 설치자가 생성됩니다.
- 3 설치 프로그램을 더블 클릭한 뒤, 화면에 나타나는 지시에 따라 소프트웨어를 설치하세요.
- 4 [Finish] 버튼을 눌러 설치를 마무리합니다.

Blackmagic Converters Setup 사용 준비가 완료되었습니다.

## 내부 소프트웨어 업데이트하기

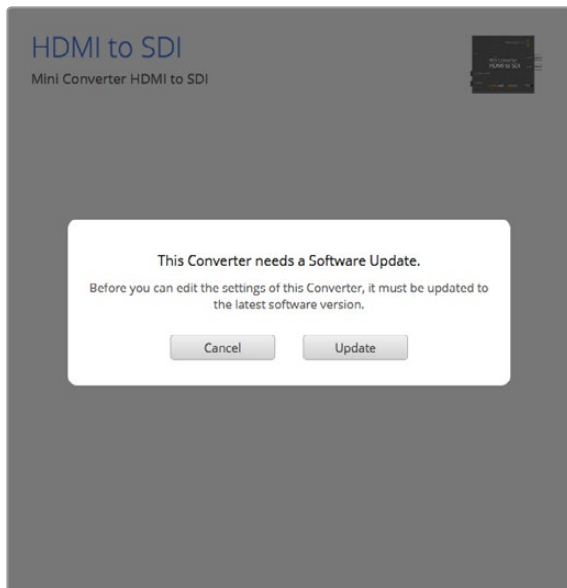
USB 커넥터가 탑재된 Blackmagic Converter를 사용하는 경우에는 변경 가능한 추가 설정 사항이 지원될 뿐만 아니라, 최신 내부 소프트웨어로 컨버터를 업데이트할 수 있습니다. 최신 소프트웨어는 Blackmagic Design의 고객 지원 센터 ([www.blackmagicdesign.com/kr/support](http://www.blackmagicdesign.com/kr/support))에서 다운로드할 수 있습니다.

Blackmagic Micro Converter를 업데이트할 경우, USB 포트를 통해 이미 전원이 공급되고 있기 때문에 따로 전원을 연결할 필요가 없습니다.

Blackmagic Mini Converter와 Battery Converter, Mini Converters Heavy Duty의 경우에는, USB를 통해 컴퓨터에 연결하기 전 반드시 전원이 연결되었는지 확인하세요.

- 1 컨버터에 전원을 연결합니다.
- 2 USB 케이블을 통해 컴퓨터와 컨버터를 연결한 뒤, Blackmagic Converter Setup을 실행하세요.

Blackmagic Converter가 Setup 유틸리티 홈페이지에 나타납니다. USB를 통해 연결된 컨버터가 1대 이상일 경우, 좌/우의 화살표 아이콘을 클릭해 원하는 컨버터를 선택하세요.



Blackmagic Converters Setup에서 초기 버전의 컨버터 내부 소프트웨어가 감지될 경우, 업데이트를 요청하는 메시지가 나타납니다.

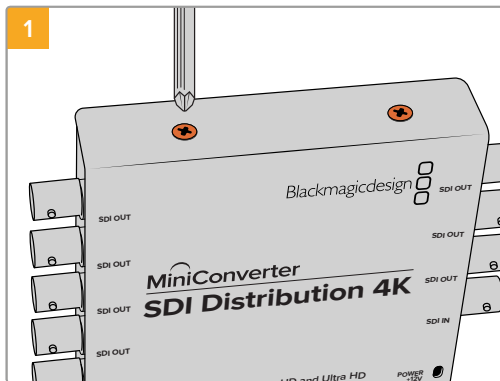
컨버터가 연결되어 있지 않은 경우, 홈페이지에 'No converters found'라는 문구가 나타납니다. USB를 통해 컨버터를 컴퓨터에 연결했으나 전원을 연결하지 않은 경우, 홈페이지에 'No power connected'라는 문구가 나타납니다. 컨버터에 전원을 연결하면 설정 화면이 나타납니다.

Blackmagic Converters Setup이 현재 Blackmagic Converter에 설치된 것보다 새로운 버전의 내부 소프트웨어를 지원하는 경우, 업데이트를 묻는 메시지가 나타납니다. 화면에 나타나는 지시에 따라 업데이트를 완료하세요.

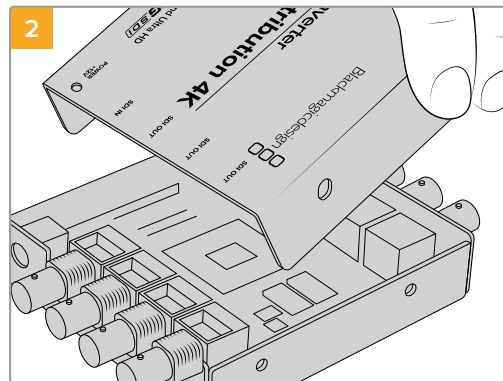
## Updating Mini Converter SDI Distribution 4K

Blackmagic Mini Converter SDI Distribution 4K에는 내부 USB 커넥터가 있습니다. 이 미니 컨버터 모델에는 사용자가 조절할 수 있는 설정 기능이 없기 때문에 설정 소프트웨어에 연결할 일이 없습니다. 하지만 아주 가끔씩 다른 기기와의 호환성 향상을 위한 내부 소프트웨어 업데이트가 발표됩니다. 예를 들어 Blackmagic Converters Software 버전 7.0.9는 이 미니 컨버터 모델의 level A 3G SDI 신호와의 호환성을 향상시킵니다.

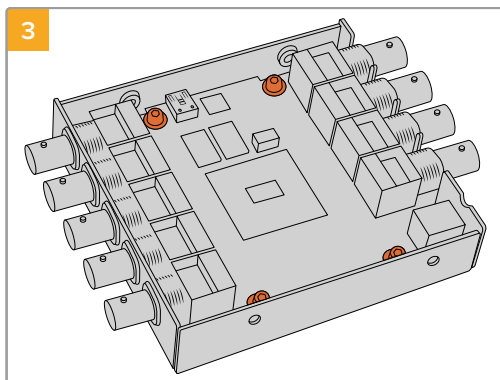
**참고** Mini Converter SDI Distribution 4K를 연결하기 전에 반드시 전원 연결을 분리하세요. 전문 엔지니어가 정전기 방지 스트랩을 사용하여 이 작업을 수행하는 것이 좋습니다.



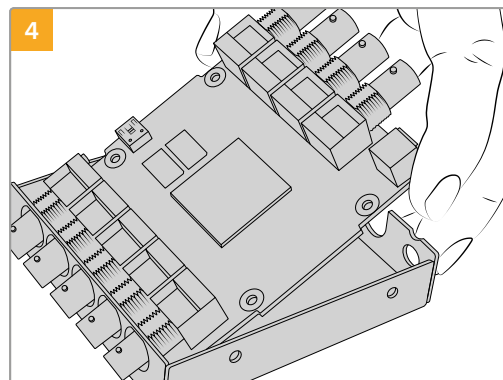
십자형 드라이버를 사용하여 Mini Converter SDI Distribution 4K 옆면에 있는 4개의 M3 나사못을 제거하세요.



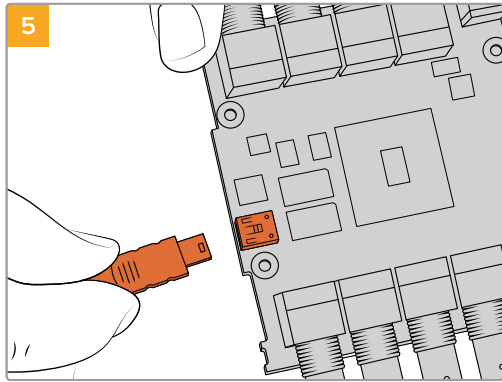
외장 커버를 밀어서 분리 시킵니다.



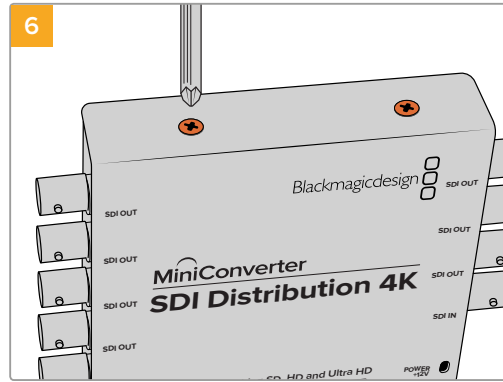
T10 Torx 드라이버를 사용하여 Mini Converter SDI Distribution 4K 프레임과 회로판을 연결하는 4개의 나사못을 제거하세요.



프레임에서 회로판을 천천히 잡아당기면 USB 커넥터가 나타납니다.



5 Mini Converter SDI Distribution 4K의 전원을 연결하고 USB 케이블을 사용하여 컴퓨터에 연결합니다. 다른 미니 컨버터와 같은 방식으로 내부 소프트웨어를 업데이트합니다.



6 1~4 단계를 반대 방향으로 반복하여 Mini Converter SDI Distribution 4K를 다시 조립합니다.

**참고** Mini Converter SDI Distribution 4K의 회로판을 다룰 시, 실수로 인해 내부 부품에 합선이 일어나지 않도록 항상 양 끝 부분을 조심스럽게 잡으세요.

## 설정 변경하기

Blackmagic Converter에서 조정 가능한 설정 사항을 지원하는 경우, 2가지 방법으로 설정을 변경할 수 있습니다. 컨버터 측면의 스위치를 사용하거나 Blackmagic Converter Setup 유틸리티 소프트웨어를 사용해 설정을 변경할 수 있습니다. 유틸리티를 사용하면 스위치로는 설정할 수 없는 아날로그 비디오 및 오디오 레벨 등 모든 설정을 변경할 수 있습니다.

Mini Converter SDI Distribution 4K에 사용하는 장비를 위한 특정 업데이트가 있을 경우에는 다음과 같은 방식으로 미니 컨버터의 USB 커넥터에 접속합니다.

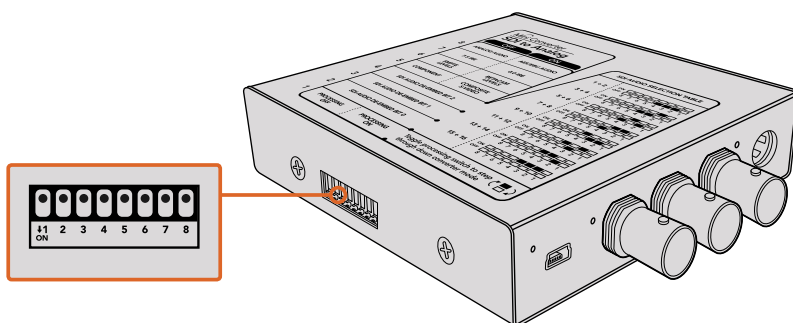
### 스위치를 사용한 설정 변경

대부분의 Blackmagic Converter 모델에 스위치가 내장되어 있습니다.

펜 끝으로 스위치를 올리고 내려 간단히 스위치 설정을 변경할 수 있습니다. 이런 방식으로 스위치를 켜고 끌 수 있습니다. 8개의 스위치를 다양한 조합으로 설정하여 원하는 변환 설정을 정확하게 선택할 수 있습니다.

컨버터 바닥면에 스위치 설정 다이어그램이 있습니다. 스위치 사용 범례에 맞게 스위치가 설정되어 있는지 확인하세요. 스위치 숫자는 왼쪽에서 오른쪽 순으로 1부터 8까지 이루어져 있습니다.

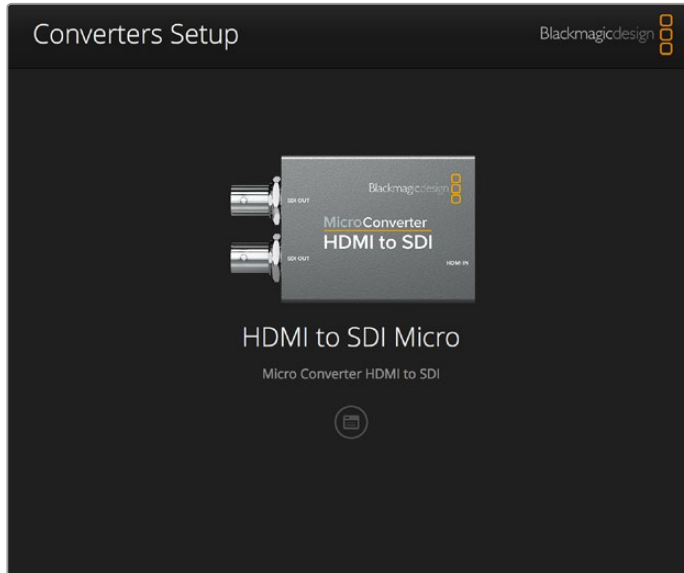
스위치 및 스위치 설정에 대한 상세한 설명은 본 설명서의 컨버터 모델 부분을 참고하세요. 컨버터 밑에 스위치 설정 정보가 있지만 업데이트로 인한 새로운 설정 기능이 추가될 수 있으므로 최신 버전의 설명서를 통해 최신 정보를 확인하는 것이 좋습니다. Blackmagic 고객 지원 센터([www.blackmagicdesign.com/kr/support](http://www.blackmagicdesign.com/kr/support))에서 최신 버전을 다운로드할 수 있습니다.



펜을 사용해 스위치 설정을 변경하세요.

## Blackmagic Converters Setup 에서 설정 변경하기

Blackmagic Converters Setup을 컴퓨터에 설치한 뒤, USB를 통해 셋업 유틸리티를 Blackmagic Converter에 연결하세요.



Mac OS X/Windows 컴퓨터를 통해 Blackmagic Converters Setup 유틸리티에서 Teranex Mini의 내부 소프트웨어를 업데이트하고 설정을 변경할 수 있습니다.

소프트웨어를 처음 실행하면 해당 홈페이지가 나타납니다. 컴퓨터에 연결된 컨버터가 1개 이상인 경우, Blackmagic Converter Setup 홈페이지에서 좌/우 화살표 아이콘을 클릭해 원하는 컨버터를 선택하세요.

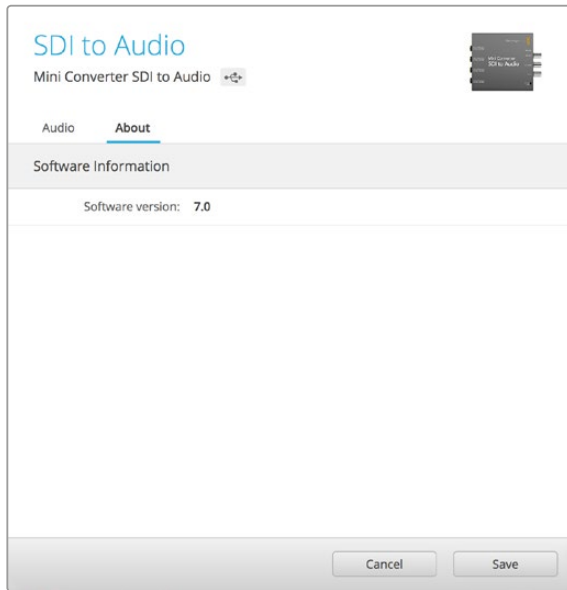
설정을 변경하려면 Blackmagic Converter 이미지 아래에 있는 설정 아이콘을 클릭합니다. 변경 사항은 컨버터에 바로 저장됩니다. 다시 말해, 전원이 꺼졌다가 다시 들어와도 설정 사항이 바로 복구됩니다.

비록 내장 스위치를 사용해 대부분의 설정을 변경할 수 있지만, 아날로그 비디오나 오디오 레벨 등의 일부 설정 사항은 Setup 소프트웨어를 통해서만 설정 가능합니다.

**정보** Teranex Mini Converter는 4K DCI 60p를 포함한 다양한 비디오 포맷을 지원하는 12G-SDI 컨버터입니다. Blackmagic Teranex Setup 유틸리티를 사용한 설정 변경 방법을 비롯한 Teranex Mini Converter 사용 방법은 Teranex Mini Converter 설명서를 참조하세요. Blackmagic Design 고객 지원 센터([www.blackmagicdesign.com/kr/support](http://www.blackmagicdesign.com/kr/support))에서 최신 버전의 설명서를 다운로드할 수 있습니다.

## About 탭

Blackmagic Converters Setup에 있는 [About] 탭은 모든 컨버터 모델에서 사용할 수 있습니다. 이 탭에 있는 설정 사항을 통해 Blackmagic Converter 이름을 입력할 수 있습니다. Name 텍스트 상자를 클릭한 뒤, 원하는 컨버터 이름을 간단히 입력할 수 있습니다. [Save] 버튼을 클릭해 변경 사항을 저장합니다.



Blackmagic Converters Setup 에 있는 [About] 탭을 사용해 Blackmagic Converter 이름을 입력할 수 있습니다. Setup 소프트웨어의 버전 또한 확인할 수 있습니다.

About 탭에 있는 Software Information 메뉴에서 현재 Blackmagic Converter에 사용 중인 소프트웨어 버전을 확인할 수 있습니다. 컨버터의 내부 소프트웨어 버전이 Blackmagic Converters Setup에 포함된 현재 버전보다 낮을 경우, 컨버터의 소프트웨어를 최신 버전으로 업데이트할 수 있는 버튼이 나타납니다.

## Blackmagic Converter 모델

Blackmagic Converter는 모든 상황에 맞는 컨버전 솔루션을 제공합니다. 예를 들면, 가볍고 내구성이 뛰어난 Mini Converter는 비디오 장비나 캐비닛에 설치할 수 있으며, 충전식 배터리가 내장된 Battery Converter는 내구성이 뛰어나 휴대하기 편리하며 자체 전원을 공급합니다. SDI를 HDMI로, HDMI를 SDI로 변환하는 소형 컨버터인 Blackmagic Micro Converter의 경우, USB를 통해 전원을 공급할 수 있어 모니터나 노트북에 장착하기 최적입니다.

다음 페이지에는 Blackmagic Converter에 대한 정보와 함께 스위치 설정 및 Setup 소프트웨어 설정에 대한 정보 또한 소개되어 있습니다.

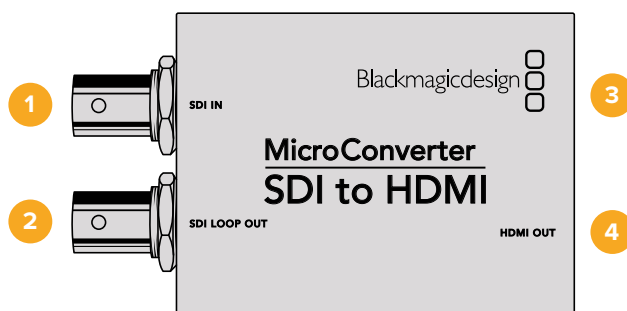
## Teranex Mini 컨버터

Blackmagic Teranex Mini Converter는 최대 4K DCI 60p의 비디오 포맷을 지원하는 12G-SDI 컨버터입니다. 내장 LCD와 버튼, 회전 노브가 탑재된 Teranex Mini Smart Panel 옵션을 추가해 이러한 컨버터를 제어할 수 있으며 이더넷을 통해 전원을 공급할 수 있습니다. Blackmagic Teranex Setup 유틸리티를 통한 제어를 비롯한 컨버터 관련 정보는 Blackmagic Design 고객 지원 센터([www.blackmagicdesign.com/kr/support](http://www.blackmagicdesign.com/kr/support))에서 Teranex Mini Converter 사용 설명서를 다운로드하여 찾아볼 수 있습니다.

# Blackmagic Micro Converter

## Micro Converter SDI to HDMI

Micro Converter SDI to HDMI를 사용해 다양한 HDMI 디스플레이와 비디오 프로젝터를 SDI 기반 장비에 연결할 수 있습니다. Micro Converter SDI to HDMI는 SD/HD/3G-SDI를 자동으로 감지해 임베디드 오디오와 함께 HDMI로 변환합니다. Blackmagic Micro Converter는 강력한 알루미늄 새시로 제작된 USB로 전원을 공급받는 방송급 품질의 소형 컨버터로, 일반 마이크로 USB 케이블을 노트북이나 TV의 USB 커넥터에 연결해 전원을 공급할 수 있습니다. 휴대폰을 충전기나 노트북에 연결할 때 사용하는 마이크로 USB 케이블을 그대로 사용할 수 있습니다. 케이블에 연결된 USB 커넥터 종류가 다를 경우, 대부분의 전자 기기 판매점에서 적합한 케이블을 구입할 수 있습니다.



## 커넥터

- 1 SDI In**  
주요 SDI 입력 BNC 커넥터.
- 2 SDI Loop**  
SDI 입력 BNC 커넥터의 루프스루 출력.
- 3 마이크로 USB / 전원**  
제품에 포함된 어댑터나 노트북/TV 등 표준 USB-마이크로 USB 케이블을 통해 5V 전원을 공급할 수 있는 모든 기기에 연결해 전원을 공급합니다. Mac OS X/Windows 컴퓨터의 Blackmagic Converters Setup 소프트웨어에 연결할 수도 있습니다.
- 4 HDMI Out**  
HDMI 타입 A 비디오 출력.

## Blackmagic Converters Setup 설정

Blackmagic Converters Setup 유틸리티를 통해 설정을 변경하고 Micro Converter의 소프트웨어를 업데이트할 수 있습니다. 모든 설정은 [Video] 및 [About] 탭에서 사용할 수 있습니다.

[About] 탭에 관한 자세한 내용은 본 설명서의 [설정 변경하기] 부분을 참고하세요.

Micro Converter SDI to HDMI의 [Video] 탭에서는 다음과 같은 사항을 설정할 수 있습니다.

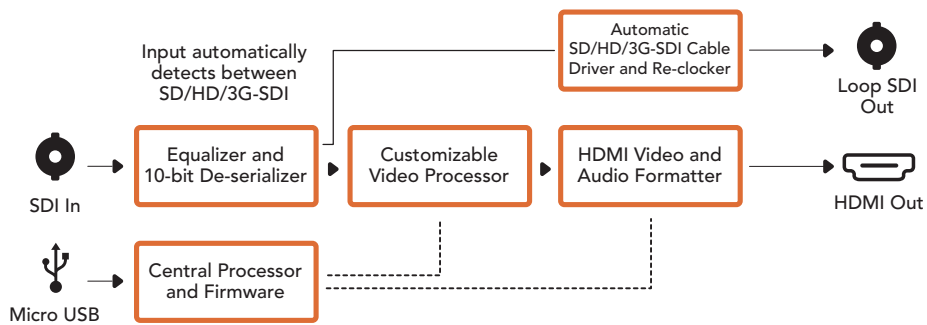


[Clip video output to legal levels] 확인란이 기본 설정되어 있습니다. 이 설정은 SDI 입력 신호가 HDMI 출력에 제대로 나타나도록 하기 위한 설정입니다.

### 프로세싱(Processing) 메뉴

[Clip video output to legal levels] 확인란은 SDI 입력 신호의 클리핑을 제어하여 HDMI 규정 범위 내로 영상을 유지하기 위한 설정이기 때문에 기본 설정으로 유지해야 합니다.

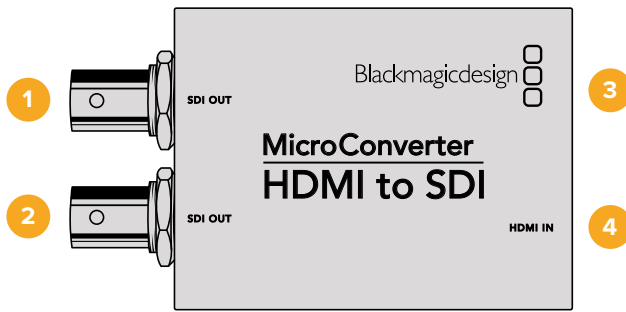
### Micro Converter SDI to HDMI 블록 선도



## Micro Converter HDMI to SDI

Micro Converter HDMI to SDI를 사용해 HDV 카메라나 게임 콘솔의 HDMI 출력을 SDI로 변환할 수 있습니다. 다시 말해, 가장 긴 SDI 케이블을 통해 HDMI 비디오 신호를 전송할 수 있습니다. HDMI 지원 컴퓨터에 SDI 출력을 추가할 수도 있습니다. Blackmagic Micro Converter는 강력한 알루미늄 새시로 제작된 USB로 전원을 공급받는 방송급 품질의 소형 컨버터로, 일반 마이크로 USB 케이블을 노트북이나 TV의 USB 커넥터에 연결해 전원을 공급할 수 있습니다. 휴대폰을 충전기나 노트북에 연결할 때 사용하는 마이크로 USB 케이블을 그대로 사용할 수 있습니다. 케이블에 연결된 USB 커넥터 종류가 다를 경우, 대부분의 전자 기기 판매점에서 적합한 케이블을 구입할 수 있습니다.





## 커넥터

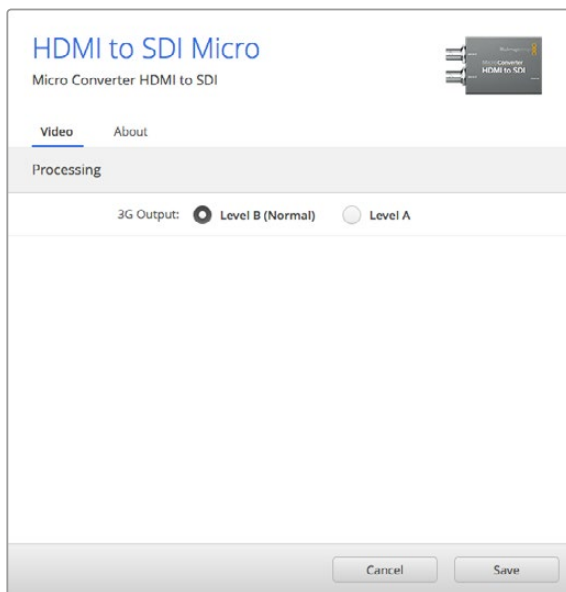
- 1 SDI OUT**  
SDI 비디오 출력 BNC 커넥터.
- 2 SDI OUT**  
두 번째 SDI 출력.
- 3 마이크로 USB / 전원**  
제품에 포함된 어댑터에 연결하거나 표준 USB/마이크로 USB 케이블을 통해 5V 전원을 공급할 수 있는 노트북 또는 TV 등의 모든 기기에 연결해 전원을 공급합니다. Mac OS X/Windows 컴퓨터의 Blackmagic Converters Setup 소프트웨어에 연결해 Micro Converter의 내부 소프트웨어를 업데이트할 수도 있습니다.
- 4 HDMI In**  
HDMI 타입 A 비디오 입력.

## Blackmagic Converters Setup 설정

Blackmagic Converters Setup 유틸리티를 통해 설정을 변경하고 Micro Converter의 소프트웨어를 업데이트할 수 있습니다. 모든 설정은 [Video] 및 [About] 탭에서 사용할 수 있습니다.

[About] 탭에 관한 자세한 내용은 본 설명서의 [설정 변경하기] 부분을 참고하세요.

Micro Converter HDMI to SDI의 [Video] 탭에서는 다음과 같은 사항을 설정할 수 있습니다.

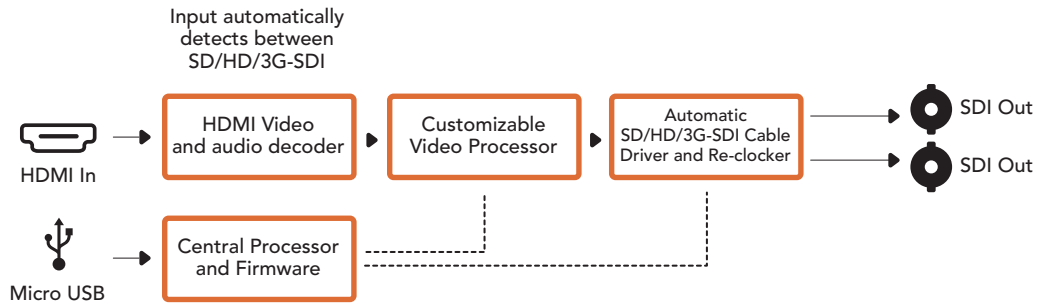


Blackmagic Converters Setup에 있는 [Video] 탭을 눌러 SDI 레벨을 선택하세요.

### 프로세싱(Processing) 메뉴

3G Output 메뉴에서 Level A 또는 Level B 3G-SDI로 선택할 수 있습니다. 해당 설정은 3G-SDI 출력 표준을 변경해 레벨 A 또는 레벨 B 3G-SDI 비디오만 수신 가능한 장비의 호환성을 유지할 수 있도록 합니다. 기본 설정은 Level B입니다.

### Micro Converter HDMI to SDI 블록 선도



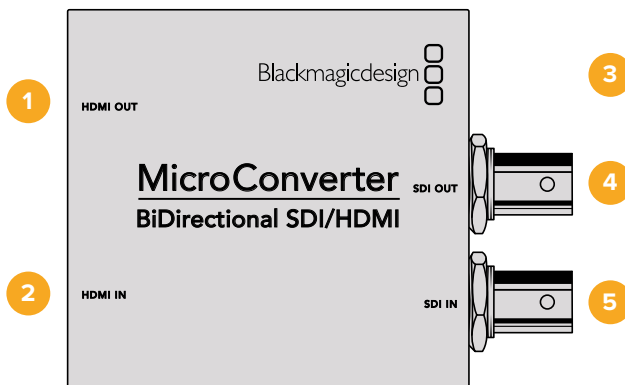
### Micro Converter BiDirectional SDI/HDMI

Micro Converter BiDirectional SDI/HDMI는 HDMI의 SD 및 HD 비디오를 SDI로 변환하는 동시에 SDI를 임베디드 오디오와 함께 HDMI 신호로 변환합니다. 예를 들어, 더 긴 케이블을 사용할 수 있도록 HDV 카메라의 HDMI 출력을 SDI로 변환하는 동시에 SDI 리턴 피드를 HDMI로 변환하여 HDMI TV에 연결할 수 있도록 합니다.

연결된 입력이 하나뿐일 경우, 입력 신호를 다른 HDMI 및 SDI 장비에 연결할 수 있도록 SDI 및 HDMI 출력 모두 루프 출력으로 지원됩니다.

Micro Converter BiDirectional SDI/HDMI에서는 자동으로 SD/HD/3G-SDI 입력 포맷을 감지한 뒤, 해당 입력에 맞는 출력 포맷을 설정합니다.

방송 품질의 소형 컨버터는 알루미늄 케이스 안에 탑재되어 있습니다. Blackmagic Micro Converter BiDirectional SDI/HDMI는 USB 전원 공급 방식을 탑재해 마이크로 USB 케이블을 사용할 경우, 노트북 또는 TV의 USB 커넥터에 연결해 전원을 공급할 수 있습니다. 휴대폰을 충전기나 노트북에 연결할 때 사용하는 마이크로 USB 케이블을 그대로 사용할 수 있습니다. 케이블에 연결된 USB 커넥터 종류가 다를 경우, 대부분의 전자 기기 판매점에서 적합한 케이블을 구입할 수 있습니다.



### 커넥터

- 1 **HDMI Out HDMI**  
타입 A 비디오 출력.
- 2 **HDMI In HDMI**  
타입 A 비디오 입력.

### 3 마이크로 USB / 전원

표준 USB-마이크로 USB 케이블을 통해 5V 전원을 공급할 수 있는 노트북 또는 TV 등의 모든 기기에 연결해 전원을 공급합니다. Mac OS X/Windows 컴퓨터의 Blackmagic Converters Setup 소프트웨어에 연결할 수도 있습니다.

### 4 SDI OUT SDI

비디오 출력(BNC 커넥터).

### 5 SDI IN SDI

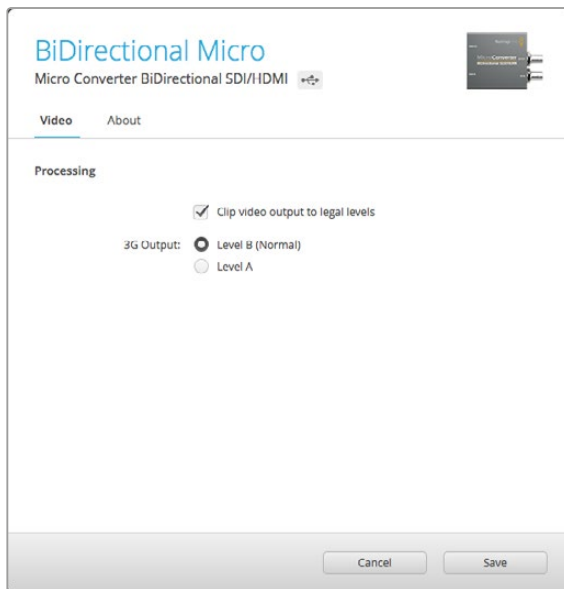
비디오 입력(BNC 커넥터).

## Blackmagic Converters Setup 설정

Blackmagic Converters Setup 유틸리티를 통해 설정을 변경하고 Micro Converter의 소프트웨어를 업데이트할 수 있습니다. 모든 설정은 Video 및 About 탭에서 사용할 수 있습니다.

About 탭에 관한 자세한 내용은 본 설명서의 [설정 변경하기] 부분을 참고하세요.

Micro Converter BiDirectional SDI/HDMI의 Video 탭에서는 다음과 같은 사항을 설정할 수 있습니다.



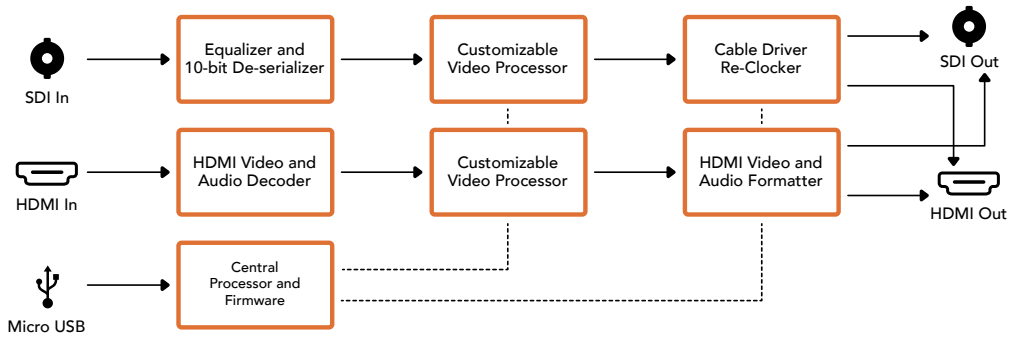
[Clip video output to legal levels] 확인란이 기본으로 설정되어 있습니다. 이 설정은 SDI 입력 신호가 HDMI 출력에 제대로 나타나도록 하기 위한 설정입니다.

### 프로세싱 (Processing) 메뉴

[Clip video output to legal levels] 확인란은 SDI 입력 신호의 클리핑을 제어하여 HDMI 규정 범위 내로 영상을 유지하기 위한 설정이기 때문에 기본 설정으로 유지해야 합니다.

3G Output 설정에서 Level A 또는 Level B 3G-SDI를 선택할 수 있습니다. 이를 통해 3G-SDI 출력 표준이 변경되어 레벨 A 또는 레벨 B 3G-SDI 비디오만 수신 가능한 장비의 호환성을 유지할 수 있습니다. 기본 설정은 레벨 B입니다.

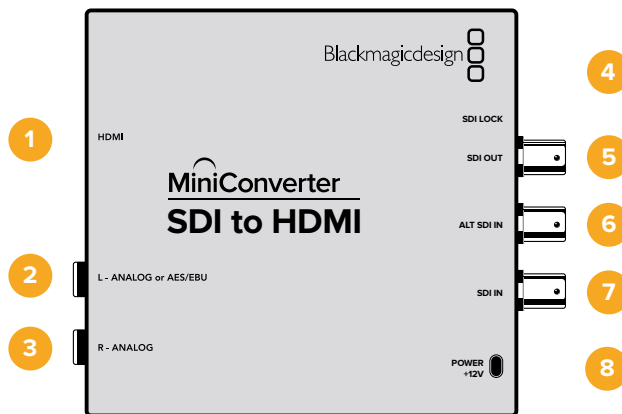
## Micro Converter BiDirectional SDI/HDMI 블록 선도



# Blackmagic Mini Converters

## Mini Converter SDI to HDMI

Mini Converter SDI to HDMI를 사용해 다양한 HDMI 디스플레이와 비디오 프로젝터를 SDI 기반 장비에 연결할 수 있습니다. Mini Converter SDI to HDMI는 SD/HD/3G-SDI를 자동으로 감지해 임베디드 오디오와 균형 AES/EBU 또는 아날로그 오디오 출력과 함께 HDMI로 변환합니다.



## 커넥터

- 1 HDMI**  
HDMI 타입 A 비디오 출력.
- 2 L - ANALOG or AES/EBU**  
좌측 채널의 균형 아날로그 오디오 또는 AES/EBU 디지털 오디오 출력(1/4인치 잭 커넥터).
- 3 R - ANALOG**  
우측 채널의 균형 아날로그 오디오 출력(1/4인치 잭 커넥터).
- 4 미니-B USB 포트**  
Mac OS X/Windows 컴퓨터의 Blackmagic Converters Setup 소프트웨어에 연결할 수 있습니다. Mini Converter의 내부 소프트웨어는 USB 포트를 통해 업데이트할 수 있습니다.
- 5 SDI OUT**  
SDI 비디오 출력(BNC 커넥터).

- 6 ALT SDI IN**  
리던던트 SDI 입력이 백업 옵션으로 제공됩니다.
- 7 SDI IN**  
주요 SDI 입력.
- 8 POWER +12V**  
12V 전원 공급 입력.

## 스위치

### 스위치 8 - Analog Audio, AES/EBU Audio

스위치 8을 OFF로 설정하면 균형 아날로그 오디오가, ON으로 설정하면 디지털 AES/EBU 오디오 출력이 선택됩니다.

### 스위치 4 - SDI Audio De-Embed Bit 2

스위치 4와 3, 2는 8가지의 조합의 ON/OFF 설정 방식을 제공합니다. 8개의 각기 다른 조합을 통해 SDI 입력에서 8개의 개별 오디오 채널 조합을 디임베드하여 HDMI, 아날로그 또는 AES/EBU 오디오로 출력할 수 있습니다.

### 스위치 3- SDI Audio De-Embed Bit 1

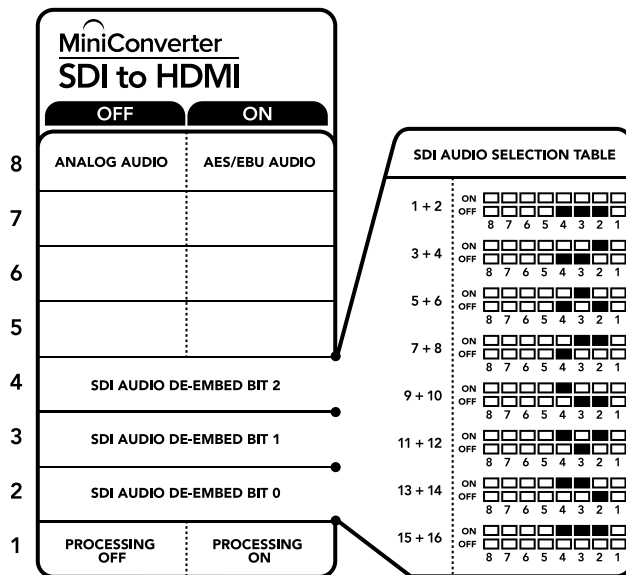
스위치 4의 설명을 참조하세요.

### 스위치 2 - SDI Audio De-Embed Bit 0

스위치 4의 설명을 참조하세요.

### 스위치 1 - Processing Off - Processing On

이 스위치는 사용되지 않습니다.



컨버터 설정 변경에 관한 자세한 정보는 컨버터 아래에 있는 스위치 사용 범례에서 확인할 수 있습니다.

## 스위치 설정 예시

Blackmagic Mini Converter에서 SDI 오디오 채널 1과 채널 2를 디임베드하여 아날로그로 출력하려면 스위치 8, 4, 3, 2를 OFF로 설정하여 시험해 보세요.

## SDI 오디오 설정표

오디오 채널	스위치 4	스위치 3	스위치 2	스위치 다이어그램
1과 2	OFF	OFF	OFF	ON OFF 8 7 6 5 4 3 2 1
3과 4	OFF	OFF	ON	ON OFF 8 7 6 5 4 3 2 1
5와 6	OFF	ON	OFF	ON OFF 8 7 6 5 4 3 2 1
7과 8	OFF	ON	ON	ON OFF 8 7 6 5 4 3 2 1
9와 10	ON	OFF	OFF	ON OFF 8 7 6 5 4 3 2 1
11과 12	ON	OFF	ON	ON OFF 8 7 6 5 4 3 2 1
13과 14	ON	ON	OFF	ON OFF 8 7 6 5 4 3 2 1
15와 16	ON	ON	ON	ON OFF 8 7 6 5 4 3 2 1

## Blackmagic Converters Setup 설정

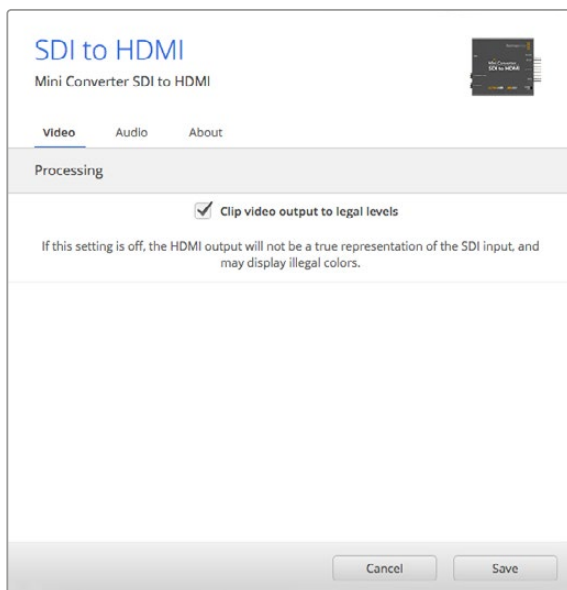
Blackmagic Converters Setup 유틸리티를 사용해 설정을 변경하고 Mini Converter의 소프트웨어를 업데이트할 수 있습니다. 모든 설정은 [Video] 및 [Audio], [About] 탭에서 사용할 수 있습니다.

[About] 탭에 관한 자세한 내용은 본 설명서의 [설정 변경하기] 부분을 참고하세요.

Mini Converter SDI to HDMI의 [Video] 탭에서는 다음과 같은 사항을 설정할 수 있습니다.

### 프로세싱(Processing) 메뉴

[Clip video output to legal levels] 확인란은 SDI 입력 신호의 클리핑을 제어하여 HDMI 규정 범위 내로 영상을 유지하기 위한 설정이기 때문에 기본 설정으로 유지해야 합니다.

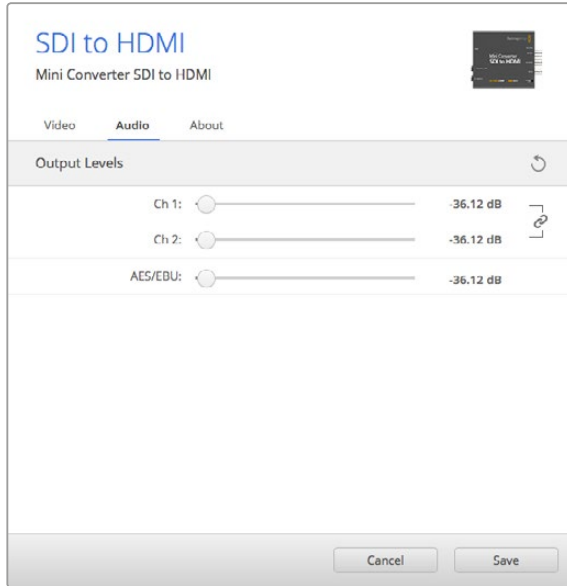


[Clip video output to legal levels] 확인란은 기본 설정으로 선택되어 있습니다. 이를 통해 HDMI 비디오 출력을 규정 범위 내로 유지할 수 있습니다.

Mini Converter SDI to HDMI의 [Audio] 탭에서는 다음과 같은 사항을 설정할 수 있습니다.

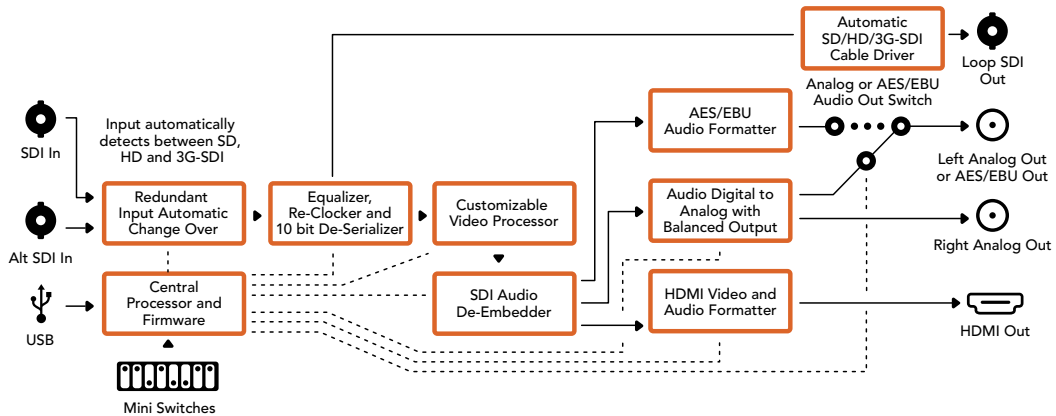
### 출력 레벨(Output Levels) 메뉴

이 메뉴를 통해 오디오 출력의 게인값을 조절할 수 있습니다. 각 채널의 오디오 레벨을 개별적으로 조절하거나 슬라이더 옆에 있는 링크 아이콘을 클릭해 동시에 조절할 수 있습니다. 모든 오디오 레벨을 0 dB로 초기화하려면, Output Levels 메뉴 오른쪽 끝에 있는 리셋 버튼을 누르세요.



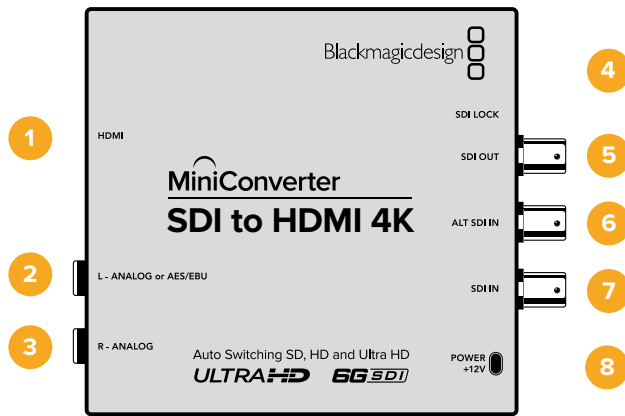
Blackmagic Converters Setup의 [Audio] 탭을 통해 오디오 레벨을 조절하세요.

### Mini Converter SDI to HDMI 블록 선도



### Mini Converter SDI to HDMI 4K

Mini Converter SDI to HDMI와 SDI to HDMI 4K Heavy Duty 모델을 사용해 다양한 HDMI 디스플레이와 비디오 프로젝터를 SDI 기반 장비에 연결할 수 있습니다. Mini Converter SDI to HDMI 4K는 SD/HD/3G/6G-SDI를 자동으로 감지해 임베디드 오디오와 균형 AES/EBU 또는 아날로그 오디오 출력과 함께 HDMI로 변환합니다. HDMI Instant Lock 기능은 HDMI 출력 신호에 잠금 기능을 사용하여 같은 포맷 간의 소스 변경이 글리치 현상 없이 매끄럽게 이루어지도록 합니다. 사용하는 컨버터의 HDMI 출력에 연결된 HD 모니터 또는 TV가 감지되고 SDI 입력에 Ultra HD가 연결된 경우, Ultra HD 소스가 자동으로 다운 컨버팅되어 HD 모니터에서 Ultra HD 소스를 확인할 수 있습니다.



## 커넥터

- 1 HDMI**  
HDMI 타입 A 비디오 출력.
- 2 L - ANALOG or AES/EBU**  
좌측 채널의 균형 아날로그 오디오 또는 AES/EBU 디지털 오디오 출력 (1/4인치 잭 커넥터).
- 3 R - ANALOG**  
우측 채널의 균형 아날로그 오디오 출력(1/4인치 잭 커넥터).
- 4 미니-B USB 포트**  
Mac OS X/Windows 컴퓨터의 Blackmagic Converters Setup 소프트웨어에 연결할 수 있습니다. Mini Converter의 내부 소프트웨어는 USB 포트를 통해 업데이트할 수 있습니다.
- 5 SDI OUT**  
SDI 비디오 출력 BNC 커넥터.
- 6 ALT SDI IN**  
리턴던트 SDI 입력이 백업 옵션으로 제공됩니다.
- 7 SDI IN**  
주요 SDI 입력.
- 8 POWER +12V**  
12V 전원 공급 입력.

## 스위치

**정보** Mini Converter Heavy Duty 모델의 스위치는 고무 커버로 덮여있습니다. 커버 끝을 들어올려 스위치를 사용할 수 있습니다.

Mini Converter SDI to HDMI 4K의 스위치는 다음과 같은 설정 사항을 제공합니다.

### 스위치 8 - Analog Audio, AES/EBU Audio

스위치 8을 OFF로 설정하면 균형 아날로그 오디오가, ON으로 설정하면 디지털 AES/EBU 오디오 출력이 선택됩니다.

### 스위치 4 - SDI Audio De-Embed Bit 2

스위치 4와 3, 2는 8가지의 조합의 ON/OFF 설정 방식을 제공합니다. 8개의 각기 다른 조합을 통해 SDI 입력에서 8개의 개별 오디오 채널 조합을 디임베드하여 HDMI, 아날로그 또는 AES/EBU 오디오로 출력할 수 있습니다.



### 스위치 3 - SDI Audio De-Embed Bit 1

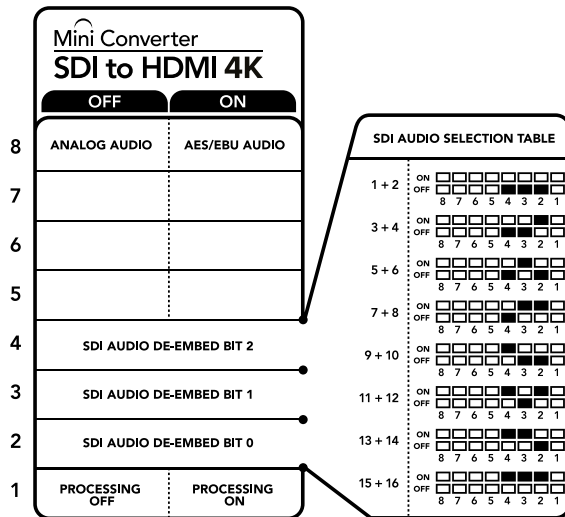
스위치 4의 설명을 참조하세요.

### 스위치 2 - SDI Audio De-Embed Bit 0

스위치 4의 설명을 참조하세요.

### 스위치 1 - Processing Off - Processing On

이 스위치는 사용되지 않습니다.



컨버터 설정 변경에 관한 자세한 정보는 컨버터 아래에 있는 스위치 사용 범례에서 확인할 수 있습니다.

### 스위치 설정 예시

Blackmagic Mini Converter에서 SDI 오디오 채널 1과 채널 2를 디임베드하여 아날로그로 출력하려면 스위치 8, 4, 3, 2를 OFF로 설정하여 시험해 보세요.

### SDI 오디오 설정표

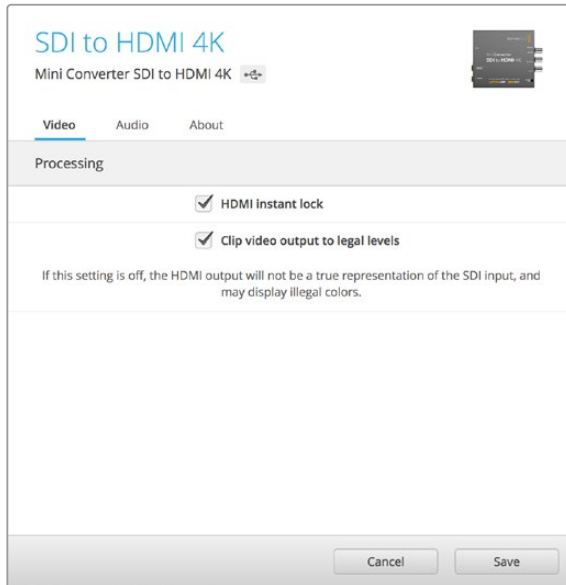
오디오 채널	스위치 4	스위치 3	스위치 2	스위치 다이어그램
1과 2	OFF	OFF	OFF	ON OFF 8 7 6 5 4 3 2 1
3과 4	OFF	OFF	ON	ON OFF 8 7 6 5 4 3 2 1
5와 6	OFF	ON	OFF	ON OFF 8 7 6 5 4 3 2 1
7과 8	OFF	ON	ON	ON OFF 8 7 6 5 4 3 2 1
9와 10	ON	OFF	OFF	ON OFF 8 7 6 5 4 3 2 1
11과 12	ON	OFF	ON	ON OFF 8 7 6 5 4 3 2 1
13과 14	ON	ON	OFF	ON OFF 8 7 6 5 4 3 2 1
15와 16	ON	ON	ON	ON OFF 8 7 6 5 4 3 2 1

## Blackmagic Converters Setup 설정

Blackmagic Converters Setup 유틸리티를 통해 설정을 변경하고 Mini Converter의 소프트웨어를 업데이트할 수 있습니다. 모든 설정은 [Video] 및 [About] 탭에서 사용할 수 있습니다.

[About] 탭에 관한 자세한 내용은 본 설명서의 [설정 변경하기] 부분을 참고하세요.

Mini Converter SDI to HDMI 4K의 [Video] 탭에서는 다음과 같은 사항을 설정할 수 있습니다.



[Clip video output to legal levels] 확인란은 기본 설정으로 선택되어 있습니다. 이를 통해 HDMI 비디오 출력을 규정 범위 내로 유지할 수 있습니다.

### 프로세싱(Processing) 메뉴

#### • HDMI 인스턴트 락

이 확인란을 선택하면 HDMI 잠금 기능이 활성화됩니다. HDMI Instant Lock 기능이 활성화되면 소스를 변경해도 HDMI 출력 신호가 그대로 유지됩니다. 다시 말해, 사용하는 컨버터에서 영상 신호에 이미 잠금장치가 사용되었으므로 HDMI TV 또는 모니터에서 비디오 출력을 디스플레이하기 전에 잠금장치를 사용할 필요가 없습니다. 이 기능은 같은 비디오 표준을 가진 영상 소스 사이를 변경할 시에만 사용된다는 점을 기억하세요.

HDMI Instant Lock 기능을 사용하면 약간의 비디오와 오디오 지연을 경험할 수도 있습니다. 지연 현상이 전혀없는 변환 출력을 원할 경우, 해당 확인란 선택을 해제하여 HDMI Instant Lock 기능을 바이패스합니다.

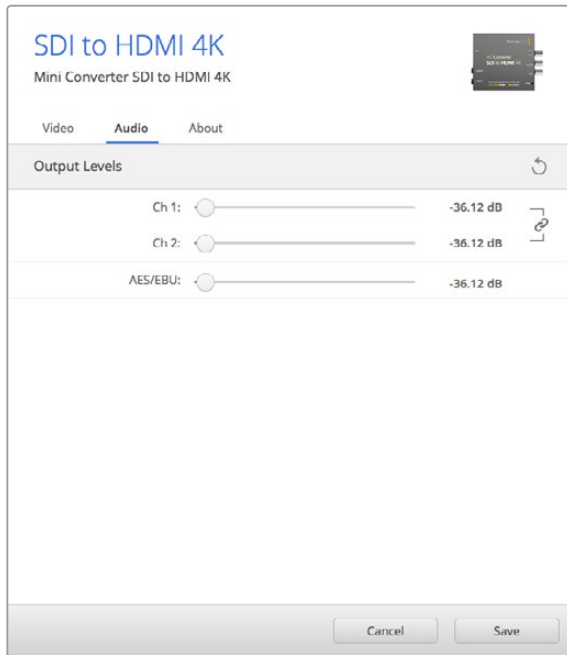
#### • 규정 범위로 비디오 출력 클리핑하기(Clip Video Output to Legal Levels)

이 확인란은 SDI 입력 신호의 클리핑을 제어하여 HDMI 규정 범위 내로 영상을 유지하기 위한 설정이기 때문에 기본 설정으로 유지해야 합니다.

### 출력 레벨(Output Levels) 메뉴

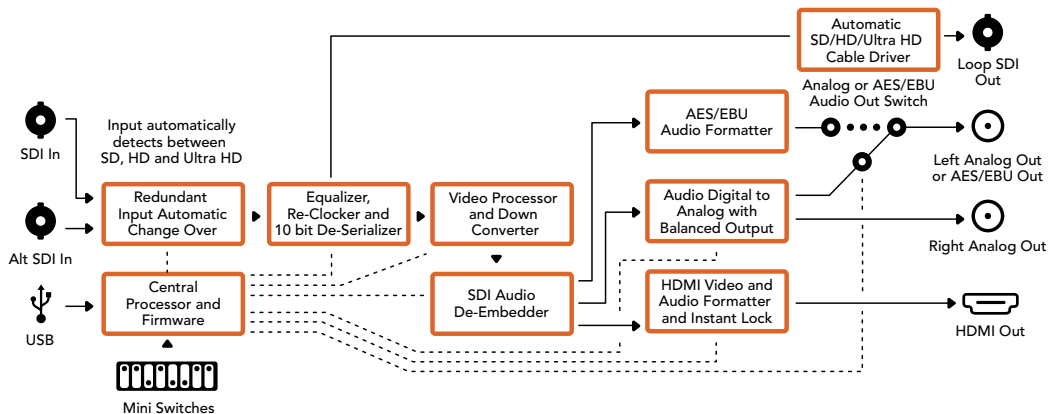
이 메뉴를 통해 오디오 출력의 게인값을 조절할 수 있습니다. 각 채널의 오디오 레벨을 개별적으로 조절하거나 슬라이더 옆에 있는 링크 아이콘을 클릭해 동시에 조절할 수 있습니다. 모든 오디오 레벨을 0 dB로 초기화하려면, Output Levels 메뉴 오른쪽 끝에 있는 리셋 버튼을 누르세요.

Micro Converter SDI to HDMI 4K의 [Audio] 탭에서는 다음과 같은 사항을 설정할 수 있습니다.



Blackmagic Converters Setup의 [Audio] 탭을 통해 오디오 레벨을 조절하세요.

### Micro Converter SDI to HDMI 4K 블록 선도

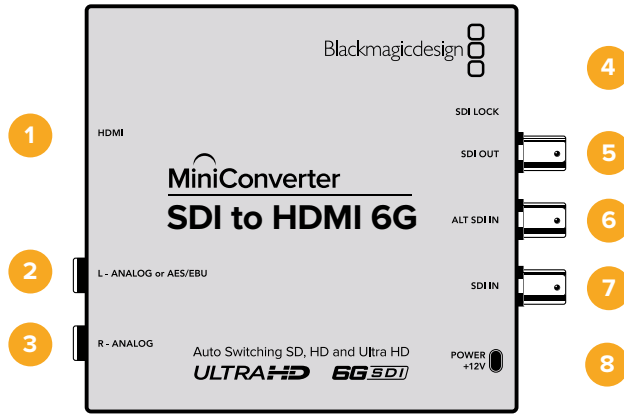


### Mini Converter SDI to HDMI 6G

Mini Converter SDI to HDMI 6G를 통해 다양한 HDMI 디스플레이와 비디오 프로젝터를 SDI 기반 장비에 연결할 수 있습니다. Mini Converter SDI to HDMI 6G는 SD SDI, HD-SDI, 3G-SDI, 6G-SDI 입력 소스 간 자동 변환을 제공하며, HDMI에 오디오를 임베드하여 변환할 수 있을 뿐만 아니라 균형 AES/EBU 또는 아날로그 오디오 출력 변환 또한 지원합니다.

HDMI Instant Lock 기능은 HDMI 출력 신호에 잠금 기능을 사용하여 같은 포맷 간의 소스 변경 시에 글리치 현상 없이 매끄럽게 이루어지도록 합니다. 사용하는 컨버터의 HDMI 출력에 연결된 HD 모니터 또는 TV가 감지되고 SDI 입력에 Ultra HD가 연결된 경우, Ultra HD 소스가 자동으로 다운 컨버팅되어 HD 모니터에서 Ultra HD 소스를 확인할 수 있습니다.

3D LUT를 로딩하여 영상룩과 그레이딩, 색 프로필을 변환한 출력에 적용할 수도 있습니다. 3D LUT는 더욱 정확한 색상 조작을 위한 풀 33 포인트 하드웨어 LUT로, 소비자용 TV 색상 보정에도 사용할 수 있어 중요한 색보정 작업에 사용 가능합니다. 3D LUT는 또한 색공간 컨버전이 가능하므로 여러 개의 디스플레이에서 서로 다른 색공간을 사용할 수 있습니다. Mini Converter SDI to HDMI 6G는 컬러에서 모노크롬으로 전환하는 LUT와 Blackmagic 카메라의 기본 색공간에서 REC 709로 전환하는 LUT를 두 가지 기본값으로 제공합니다.



## 커넥터

- 1 HDMI**  
HDMI 타입 A 비디오 출력.
- 2 L - ANALOG 또는 AES/EBU**  
좌측 채널의 균형 아날로그 오디오 또는 AES/EBU 디지털 오디오 출력 (1/4인치 잭 커넥터).
- 3 R - ANALOG**  
우측 채널의 균형 아날로그 오디오 출력(1/4인치 잭 커넥터).
- 4 미니-B USB 포트**  
Mac OS X/Windows 컴퓨터를 통해 Converters Setup 소프트웨어에 연결해 Micro Converter의 내부 소프트웨어를 업데이트할 수 있습니다. Mini Converter의 내부 소프트웨어 또한 USB 포트를 통해 업데이트됩니다.
- 5 SDI OUT**  
SDI 비디오 출력(BNC 커넥터).
- 6 ALT SDI IN**  
리던던트 SDI 입력이 백업 옵션으로 제공됩니다.
- 7 SDI IN**  
주요 SDI 입력.
- 8 Power +12V**  
12V 전원 공급 입력.

## 스위치

Mini Converter SDI to HDMI 6G의 스위치는 다음과 같은 설정 사항을 제공합니다.

### 스위치 8 - Analog Audio, AES/EBU Audio

스위치 8을 OFF로 설정하면 균형 아날로그 오디오가, ON으로 설정하면 디지털 AES/EBU 오디오 출력이 선택됩니다.

### 스위치 7 - LUT Off, LUT On

스위치 7을 ON/OFF로 설정해 LUT을 활성화 또는 비활성화할 수 있습니다.

### 스위치 6 - LUT 1, LUT2

스위치 6을 OFF로 설정하면 LUT 1을, ON으로 설정하면 LUT 2를 선택할 수 있습니다.

### 스위치 5 - LUT On Loop Off, LUT On Loop On

스위치 5를 OFF로 설정하면 LUT On Loop Off를, ON으로 설정하면 LUT On Loop On을 선택할 수 있습니다.

### 스위치 4 - SDI Audio De-Embed Bit 2

스위치 4와 3, 2는 8가지의 조합의 ON/OFF 설정 방식을 제공합니다. 8개의 각기 다른 조합을 통해 SDI 입력에서 8개의 개별 오디오 채널 조합을 디임베드하여 HDMI, 아날로그 또는 AES/EBU 오디오로 출력할 수 있습니다.

### 스위치 3- SDI Audio De-Embed Bit 1

스위치 4의 설명을 참조하세요.

### 스위치 2 - SDI Audio De-Embed Bit 0

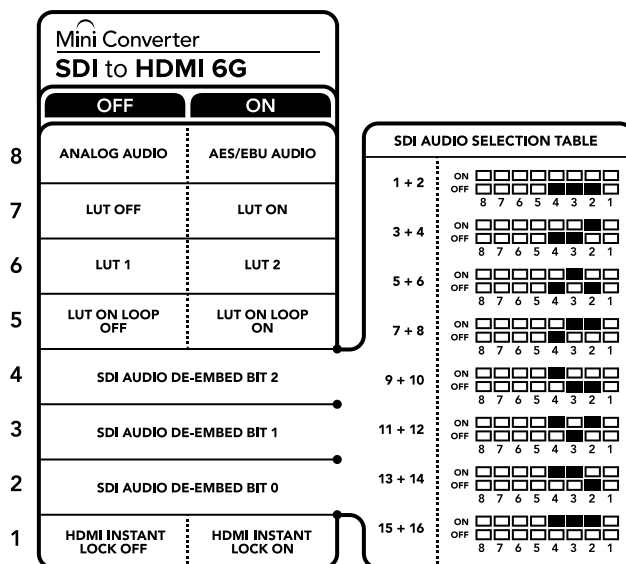
스위치 4의 설명을 참조하세요.

### 스위치 1 - HDMI Instant Lock Off, HDMI Instant Lock On

스위치 1을 OFF로 설정하면 HDMI Instant Lock Off를, OFF로 설정하면 HDMI Instant Lock On을 선택할 수 있습니다.

HDMI Instant Lock 기능이 활성화되면 소스를 변경해도 HDMI 출력 신호가 그대로 유지됩니다. HDMI 신호에 Instant Lock 기능이 이미 적용되었으므로 비디오 출력이 HDMI TV 또는 모니터에 디스플레이되기 전에 신호가 잠기는 것을 기다리지 않아도 됩니다. 이 기능은 동일한 비디오 표준을 가진 영상 소스 간을 변경할 시에만 작동된다는 점을 기억하세요.

HDMI Instant Lock 기능을 사용하면 약간의 비디오 및 오디오 지연 현상을 경험할 수도 있습니다. 지연 현상이 전혀 없는 변환 출력을 원할 경우 해당 확인란 선택을 해제하여 HDMI Instant Lock 기능을 바이패스합니다.



컨버전 설정 변경에 관한 모든 정보는 컨버터 아래에 있는 스위치 사용 범례에서 확인할 수 있습니다.

## 스위치 설정 예시

SDI 오디오 채널 1과 채널2를 디임베드하여 아날로그로 출력하기 위한 스위치 8과 4, 3, 2를 OFF로 설정하여 Blackmagic Mini Converter 스위치 작동을 시도해보세요.

### SDI 오디오 설정표

오디오 채널	스위치 4	스위치 3	스위치 2	스위치 다이어그램
1과 2	OFF	OFF	OFF	ON OFF 8 7 6 5 4 3 2 1
3과 4	OFF	OFF	ON	ON OFF 8 7 6 5 4 3 2 1
5와 6	OFF	ON	OFF	ON OFF 8 7 6 5 4 3 2 1
7과 8	OFF	ON	ON	ON OFF 8 7 6 5 4 3 2 1
9와 10	ON	OFF	OFF	ON OFF 8 7 6 5 4 3 2 1
11과 12	ON	OFF	ON	ON OFF 8 7 6 5 4 3 2 1
13과 14	ON	ON	OFF	ON OFF 8 7 6 5 4 3 2 1
15와 16	ON	ON	ON	ON OFF 8 7 6 5 4 3 2 1

## Blackmagic Converters Setup 설정

Blackmagic Converters Setup 유틸리티를 사용해 설정을 변경하고 Mini Converter의 소프트웨어를 업데이트할 수 있습니다. 모든 설정은 [Video] 및 [Audio], [About] 탭에서 사용할 수 있습니다. [About] 탭에 관한 자세한 내용은 본 설명서의 [설정 변경하기] 부분을 참고하세요.

Mini Converter SDI to HDMI 6G의 [Video] 탭에서는 다음과 같은 설정 사항이 있습니다.



[Clip video output to legal levels] 확인란이 기본으로 설정되어 있습니다. 이를 통해 HDMI 비디오 출력을 규정 범위 내로 유지할 수 있습니다.

## 프로세싱(Processing) 메뉴

### • 33 포인트 3D LUT

Mini Converter SDI to HDMI 6G는 DaVinci Resolve 소프트웨어 또는 .cube 파일을 익스포트 가능한 기타 소프트웨어에서 .cube LUT 파일을 생성하도록 지원합니다.

각 LUT 슬롯을 위한 Load 버튼을 클릭하고 컴퓨터에서 원하는 .cube 파일을 선택한뒤, OK를 클릭하면 두 개의 다른 LUT를 로딩할 수 있습니다. [Save]를 클릭하면 설정이 완료됩니다. 각 Load 버튼 옆에는 LUT 파일명이 나타나 LUT1 또는 LUT2에 어떤 LUT가 사용되고 있는지 확인할 수 있습니다.

### • 3D LUT란?

3D LUT 또는 3D 룩업 테이블은 3D 비디오 색공간을 3D 큐브 공간 속 일련의 새로운 컬러 설정값으로 변경하기 위한 설정값 테이블 파일을 말합니다.

컬러 큐브는 X/Y/Z 공간 차원으로 정의되는 프라이머리 컬러 조합 간의 모든 변화값을 포함합니다. 이는 SDI 입력 비디오 속의 RGB 채널을 HDMI 비디오 출력 속 다른 모든 종류의 RGB 출력 컬러로 다시 맵핑할 수 있음을 의미합니다. 모든 컬러를 다른 컬러로 맵핑할 수 있어 화면 조정 시 아주 정확한 컬러 조정이 가능할 뿐만 아니라, 리니어 감마 확인이 필요한 다양한 종류의 RAW 카메라 파일을 작업하는 촬영현장에서 로그 감마 커브를 로딩하여 디스플레이할 때도 사용할 수 있는 아주 강력한 기능입니다.

3D LUT가 얼마나 강력한지를 보여주는 한 가지 기능은 로딩한 LUT 기본값으로 입력 비디오를 흑백으로 변환할 수 있는 기능입니다. 이는 3D LUT를 통해 모든 입력 RGB 컬러가 흑백 RGB 출력값으로 다시 맵핑되어 HDMI로 출력된다는 것을 보여줍니다. 자신만의 3D LUT를 생성하고 관리 소프트웨어 및 DaVinci Resolve에서 업로딩할 수 있습니다. DaVinci Resolve에서 컬러 그레이딩 설정을 3D LUT으로 변환한 뒤, Mini Converter SDI to HDMI 6G로 업로딩할 수 있습니다. SDI 비디오 루프 출력에서 3D LUT 출력이 가능하므로 HDMI 출력을 사용하지 않더라도 Mini Converter를 3D LUT 전용 컬러 프로세서로 사용할 수 있습니다.

3D LUT .cube 파일 생성과 관련한 더욱 자세한 정보는 DaVinci Resolve 설명서에서 확인할 수 있습니다. 이 설명서는 Blackmagic Design 웹사이트 [www.blackmagicdesign.com/kr/support](http://www.blackmagicdesign.com/kr/support)에서 다운로드할 수 있습니다.

### • 규정 범위로 비디오 출력 클리핑하기(Clip Video Output to Legal Levels)

이 확인란은 SDI 입력 신호의 클리핑을 제어하여 HDMI 규정 범위 내로 영상을 유지하기 위한 설정이기 때문에 기본 설정으로 유지해야 합니다.

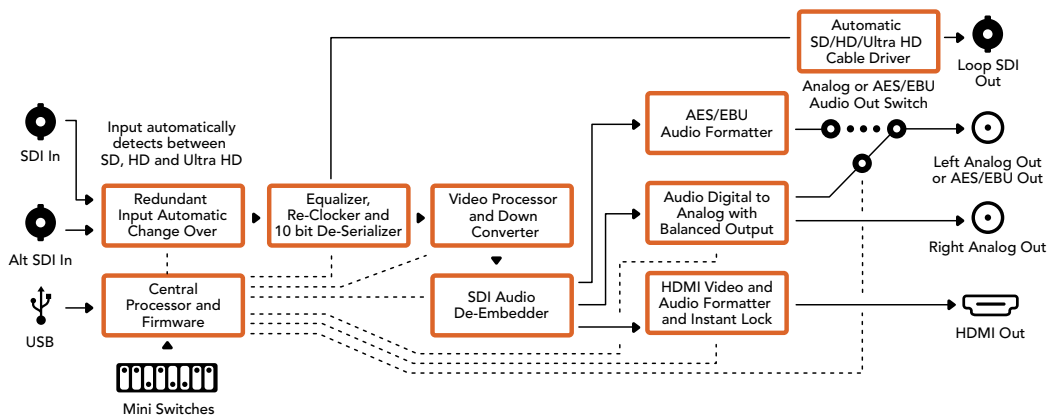
## 출력 레벨(Output Levels) 메뉴

이 메뉴에서 오디오 출력의 게인을 조절할 수 있습니다. 각 채널의 오디오 레벨을 개별적으로 조절하거나 슬라이더 옆에 있는 링크 아이콘을 클릭해 동시에 조절할 수 있습니다. 모든 오디오 레벨을 0dB로 초기화하려면 Output Levels 메뉴란의 리셋 버튼을 클릭합니다. Mini Converter SDI to HDMI 6G의 [Audio] 탭에서는 다음과 같은 사항을 설정할 수 있습니다.



Blackmagic Converters Setup의 [Audio] 탭을 통해 오디오 레벨을 조절하세요.

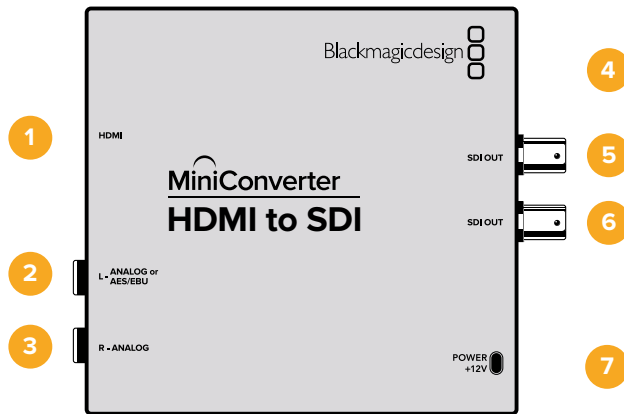
## Mini Converter SDI to HDMI 6G 블록 선도



## Mini Converter HDMI to SDI

Mini Converter HDMI to SDI 모델은 HDV 카메라나 게임 콘솔 등의 HDMI 출력을 SDI로 출력하고, HDMI와 AES/EBU, 균형 아날로그 오디오 입력 중에서 SDI 오디오에 임베드할 오디오를 선택할 수 있습니다. 다시 말해, 가장 긴 SDI 케이블을 통해 HDMI 비디오 신호를 전송할 수 있습니다. HDMI 지원 컴퓨터에 SDI 출력을 추가할 수도 있습니다. 이 컨버터를 통해 HD에서 SD로 다운 컨버팅할 수도 있습니다.





## 커넥터

- 1 HDMI**  
HDMI 타입 A 비디오 입력.
- 2 L - ANALOG or AES/EBU**  
좌측 채널의 균형 아날로그 오디오 또는 AES/EBU 디지털 오디오 입력 (1/4인치 잭 커넥터).
- 3 R - ANALOG**  
우측 채널의 균형 아날로그 오디오 입력(1/4인치 잭 커넥터).
- 4 미니-B USB 포트**  
Mac OS X/Windows 컴퓨터의 Blackmagic Converters Setup 소프트웨어에 연결할 수 있습니다. Mini Converter의 내부 소프트웨어는 USB 포트를 통해 업데이트할 수 있습니다.
- 5 SDI OUT**  
SDI 비디오 출력(BNC 커넥터).
- 6 SDI OUT**  
두 번째 SDI 출력.
- 7 POWER +12V**  
12V 전원 공급 입력.

## 스위치

Mini Converter HDMI to SDI의 스위치는 다음과 같은 설정 사항을 제공합니다.

### 스위치 8 - Analog Audio, AES/EBU Audio

스위치 8을 OFF로 설정하면 균형 아날로그 오디오가 선택되고, ON으로 설정하면 디지털 AES/EBU 오디오 입력이 선택됩니다. 스위치 7을 ON으로 설정해야 이 입력을 사용할 수 있습니다.

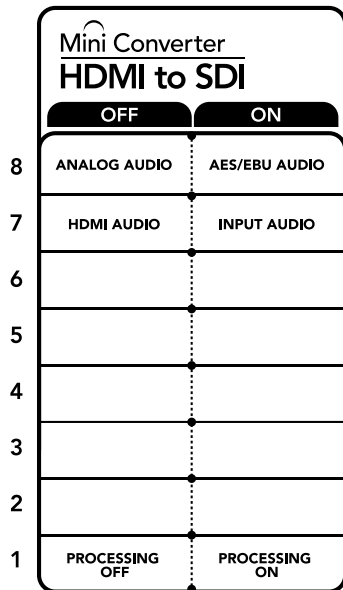
### 스위치 7 - HDMI Audio - Input Audio

스위치 7을 OFF로 설정하면 임베디드 HDMI 오디오를, ON으로 설정하면 아날로그 및 AES/EBU 오디오를 선택할 수 있습니다.

### 스위치 1 - Processing Off - Processing On

HD를 SD로 다운 컨버팅할 때, 스위치 1을 사용하면 세 가지 유형의 종횡비로 전환할 수 있습니다. 예를 들어, 스위치를 ON/OFF로 설정할 때마다 애너모픽(Anamorphic)과 센터 컷(Center Cut), 레터박스(Letterbox) 종횡비로 전환됩니다. 스위치 1을 OFF로 설정해 두면 다운 컨버팅되지 않고 HD로 출력됩니다.

USB를 통해 Blackmagic Converters Setup에 연결하면 소프트웨어로 다운 컨버전 설정을 제어할 수 있습니다. 컨버터가 소프트웨어 설정을 기억하도록 하려면, 컨버터를 컴퓨터에서 분리하여 전원을 다시 시작한 뒤, 스위치 1을 사용해 원하는 다운 컨버전을 설정하세요.



컨버전 설정 변경에 관한 자세한 정보는 컨버터 아래에 있는 스위치 사용 범례에서 확인할 수 있습니다.

## Blackmagic Converters Setup 설정

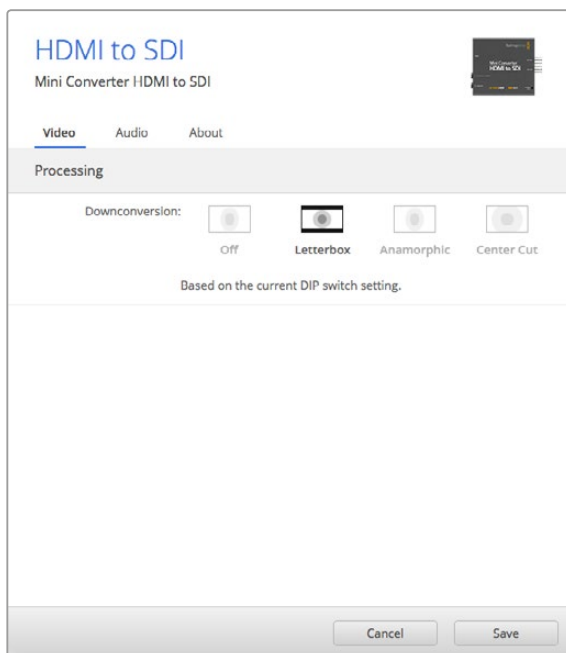
Blackmagic Converters Setup 유틸리티를 통해 설정을 변경하고 Mini Converter의 소프트웨어를 업데이트할 수 있습니다. 모든 설정은 [Video] 및 [About] 탭에서 사용할 수 있습니다.

[About] 탭에 관한 자세한 내용은 본 설명서의 [설정 변경하기] 부분을 참고하세요.

Mini Converter HDMI to SDI의 [Video] 탭에서는 다음과 같은 사항을 설정할 수 있습니다.

### 프로세싱(Processing) 메뉴

이 메뉴를 통해 HD에서 SD로 다운 컨버팅되는 콘텐츠의 종횡비를 선택할 수 있습니다. 레터박스 (Letterbox)와 애너모픽(Anamorphic), 센터 컷(Center Cut) 또는 OFF로 설정할 수 있습니다.

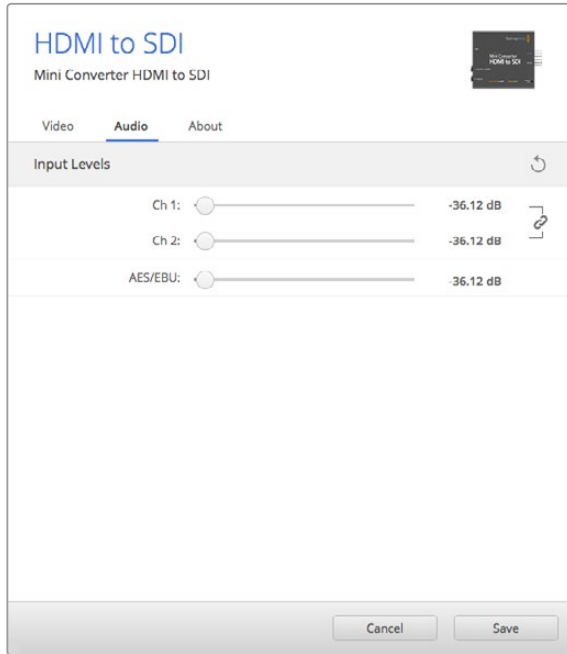


Blackmagic Converters Setup의 [Video] 탭을 통해 프로세싱 설정을 조정하세요.

Mini Converter HDMI to SDI의 [Audio] 탭에서는 다음과 같은 사항을 설정할 수 있습니다.

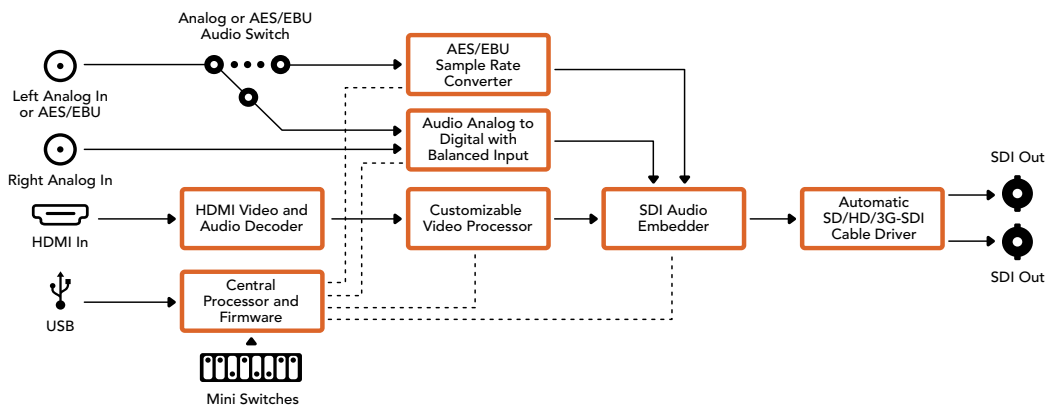
### 입력 레벨(Input Levels) 메뉴

이 메뉴에서 오디오 입력의 게인값을 조절할 수 있습니다. 각 채널의 오디오 레벨을 개별적으로 조절하거나 슬라이더 옆에 있는 링크 아이콘을 클릭해 동시에 조절할 수 있습니다. 모든 오디오 레벨을 0 dB로 초기화하려면, Input Levels 메뉴 오른쪽 끝에 있는 리셋 버튼을 누르세요.



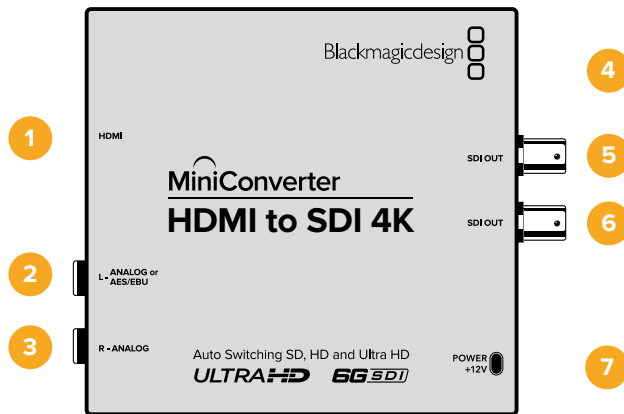
Blackmagic Converters Setup의 [Audio] 탭을 통해 오디오 레벨을 조절하세요.

### Mini Converter HDMI to SDI 블록 선도



### Mini Converter HDMI to SDI 4K

Mini Converter HDMI to SDI 4K와 HDMI to SDI 4K Heavy Duty 모델은 HDV 카메라나 게임 콘솔 등의 HDMI 출력을 SDI로 출력하고, HDMI와 AES/EBU, 균형 아날로그 오디오 입력 중에서 SDI 오디오에 임베드할 오디오를 선택할 수 있습니다. 다시 말해, 가장 긴 SDI 케이블을 통해 HDMI 비디오 신호를 전송할 수 있습니다. HDMI 지원 컴퓨터에 SDI 출력을 추가할 수도 있습니다.



## 커넥터

- 1 HDMI**  
HDMI 타입 A 비디오 입력.
- 2 L - ANALOG or AES/EBU**  
좌측 채널의 균형 아날로그 오디오 또는 AES/EBU 디지털 오디오 입력 (1/4인치 잭 커넥터).
- 3 R - ANALOG**  
우측 채널의 균형 아날로그 오디오 입력(1/4인치 잭 커넥터).
- 4 미니-B USB 포트**  
Mac OS X/Windows 컴퓨터의 Blackmagic Converters Setup 소프트웨어에 연결할 수 있습니다. Mini Converter의 내부 소프트웨어는 USB 포트를 통해 업데이트할 수 있습니다.
- 5 SDI OUT**  
SDI 비디오 출력(BNC 커넥터).
- 6 SDI OUT**  
두 번째 SDI 출력.
- 7 POWER +12V**  
12V 전원 공급 입력.

## 스위치

**정보** Mini Converter Heavy Duty 모델의 스위치는 고무 커버로 덮여있습니다. 커버 끝을 들어 올려 스위치를 사용할 수 있습니다.

Mini Converter HDMI to SDI 4K의 스위치는 다음과 같은 설정 사항을 제공합니다.

### 스위치 8 - Analog Audio, AES/EBU Audio

스위치 8을 OFF로 설정하면 균형 아날로그 오디오가 선택되고, ON으로 설정하면 디지털 AES/EBU 오디오 입력이 선택됩니다. 스위치 7을 ON으로 설정해야 이 입력을 사용할 수 있습니다.

### 스위치 7 - HDMI Audio - Input Audio

스위치 7을 OFF로 설정하면 임베디드 HDMI 오디오를, ON으로 설정하면 아날로그 및 AES/EBU 오디오를 선택할 수 있습니다.

## 스위치 2와 1 - Select Format Bit 1, 0

Ultra HD와 HD를 출력할 수 있는 HDMI 소스에 연결할 경우, 소스 출력이 둘 중 하나로만 출력되도록 컨버터를 설정할 수 있습니다. 컴퓨터 바탕화면을 SDI 장비에 HD로 녹화 또는 디스플레이할 때 유용하게 사용할 수 있어 더욱 큰 화면으로 쉽게 확인할 수 있습니다.

단순한 업/다운 컨버전 설정처럼 보일 수도 있지만, 실제로는 소스 장비에서 Ultra HD 또는 HD를 출력하도록 명령해 컨버터에서 업/다운 컨버전을 거치지 않고 소스 비디오의 원본 HD 또는 Ultra HD 해상도로 출력하는 방식입니다.

스위치 1과 스위치 2의 간단한 조합을 통해 소스 비디오 출력을 HD 또는 Ultra HD로 고정시키거나, 컨버터가 자동으로 소스 장비 출력에 맞는 최적의 해상도로 설정하도록 할 수 있습니다.

조합 설정은 아래와 같습니다.

### AUTO - 스위치 1은 OFF, 스위치 2는 OFF.

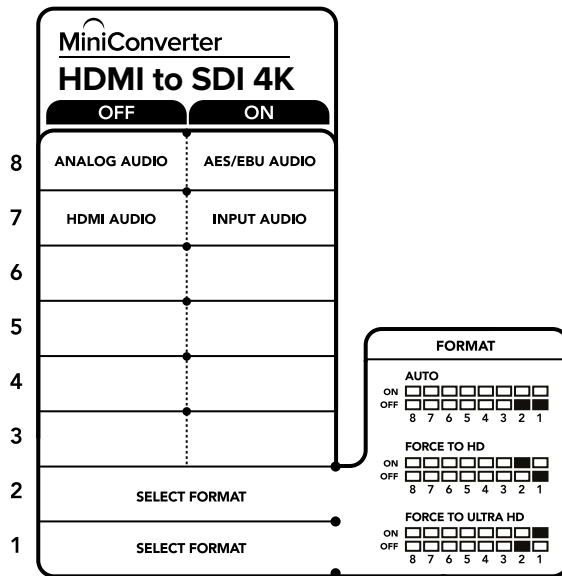
컨버터는 소스 장비에서 출력되는 해상도에 맞는 최적의 HD 또는 Ultra HD 해상도로 설정합니다.

### FORCE TO HD - 스위치 1은 OFF, 스위치 2는 ON.

컨버터 명령을 통해 HD 또는 Ultra HD를 출력할 수 있는 HDMI 소스 장비에서 HD 비디오만 출력하도록 설정됩니다.

### FORCE TO ULTRA HD - 스위치 1은 ON, 스위치 2는 OFF.

컨버터 명령을 통해 HD 또는 Ultra HD를 출력할 수 있는 HDMI 소스 장비에서 Ultra HD 비디오만 출력하도록 설정됩니다.



컨버전 설정 변경에 관한 자세한 정보는 컨버터 아래에 있는 스위치 사용 범례에서 확인할 수 있습니다.

## Blackmagic Converters Setup 설정

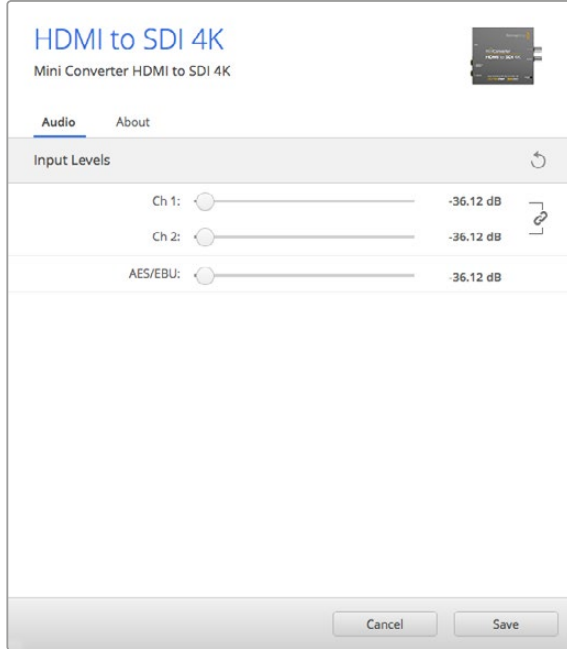
Blackmagic Converters Setup 유틸리티를 통해 설정을 변경하고 Mini Converter의 소프트웨어를 업데이트할 수 있습니다. 모든 설정은 [Audio] 및 [About] 탭에서 사용할 수 있습니다.

[About] 탭에 관한 자세한 내용은 본 설명서의 [설정 변경하기] 부분을 참고하세요.

Micro Converter Mini Converter HDMI to SDI 4K 의 [Audio] 탭에서는 다음과 같은 사항을 설정할 수 있습니다.

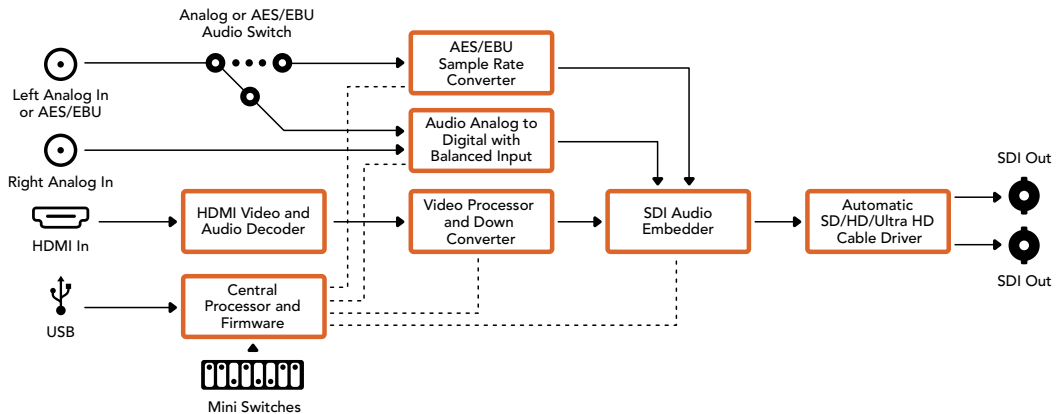
### 입력 레벨(Input Levels) 메뉴

이 메뉴에서 오디오 입력의 게인값을 조절할 수 있습니다. 각 채널의 오디오 레벨을 개별적으로 조절하거나 슬라이더 옆에 있는 링크 아이콘을 클릭해 동시에 조절할 수 있습니다. 모든 오디오 레벨을 0 dB로 초기화하려면, Input Levels 메뉴 오른쪽 끝에 있는 리셋 버튼을 누르세요.



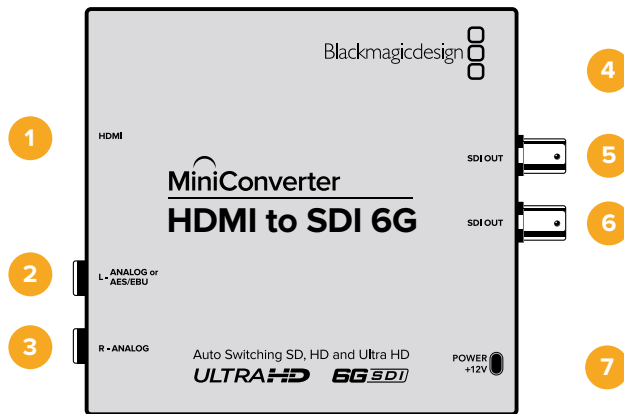
Blackmagic Converters Setup의 [Audio] 탭을 통해 오디오 레벨을 조절하세요.

### Mini Converter HDMI to SDI 4K 블록 선도



### Mini Converter HDMI to SDI 6G

Mini Converter HDMI to SDI 6G 모델은 HDV 카메라나 게임 콘솔 등의 HDMI 출력을 SDI로 출력하고, HDMI와 AES/EBU, 균형 아날로그 오디오 입력 중에서 SDI 오디오에 임베드할 오디오를 선택할 수 있습니다. 가장 긴 SDI 케이블을 사용해 HDMI 비디오 신호를 전송할 수 있습니다. HDMI 지원 컴퓨터에 SDI 출력을 추가할 수도 있습니다.



## 커넥터

- 1 HDMI**  
HDMI 타입 A 비디오 입력.
- 2 L - ANALOG or AES/EBU**  
좌측 채널의 균형 아날로그 오디오 또는 AES/EBU 디지털 오디오 입력 (1/4인치 잭 커넥터).
- 3 R - ANALOG**  
우측 채널의 균형 아날로그 오디오 입력(1/4인치 잭 커넥터).
- 4 미니-B USB 포트**  
Mac OS X/Windows 컴퓨터를 통해 Converters Setup 소프트웨어에 연결해 Micro Converter의 내부 소프트웨어를 업데이트할 수 있습니다. Mini Converter의 내부 소프트웨어 또한 USB 포트를 통해 업데이트됩니다.
- 5 SDI OUT**  
SDI 비디오 출력(BNC 커넥터).
- 6 SDI OUT**  
두 번째 SDI 출력
- 7 Power +12V**  
12V 전원 공급 입력.

## 스위치

Mini Converter HDMI to SDI 6G의 스위치는 다음과 같은 설정 사항을 제공합니다.

### 스위치 8 - Analog Audio, AES/EBU Audio

스위치 8을 OFF로 설정하면 균형 아날로그 오디오가 선택되고, ON으로 설정하면 디지털 AES/EBU 오디오 입력이 선택됩니다. 스위치 7을 ON으로 설정해야 이 입력을 사용할 수 있습니다.

### 스위치 7 - HDMI Audio, Input Audio

스위치 7을 OFF로 설정하면 임베디드 HDMI 오디오를, ON으로 설정하면 아날로그 및 AES/EBU 오디오를 선택할 수 있습니다.

### 스위치 6 - 3G Level B Output (Normal), 3G Level A Output

스위치 6을 OFF로 설정하면 3G 레벨 B 출력을, ON으로 설정하면 3G 레벨 A 출력을 선택할 수 있습니다.

### 스위치 2와 1 - Select Format Bit 1, 0

Ultra HD와 HD를 출력할 수 있는 HDMI 소스에 연결할 경우, 소스 출력이 둘 중 하나로만 출력되도록 컨버터를 설정할 수 있습니다. 컴퓨터 바탕화면을 SDI 장비에 HD로 녹화 또는 디스플레이할 때 유용하게 사용할 수 있어 더욱 큰 화면으로 쉽게 확인할 수 있습니다.

단순한 업/다운 컨버전 설정처럼 보일 수도 있지만, 실제로는 소스 장비에서 Ultra HD 또는 HD를 출력하도록 명령해 컨버터에서 업/다운 컨버전을 거치지 않고 소스 비디오의 원본 HD 또는 Ultra HD 해상도로 출력하는 방식입니다.

스위치 1과 스위치 2의 간단한 조합을 통해 소스 비디오 출력을 HD 또는 Ultra HD로 고정시키거나, 컨버터가 자동으로 소스 장비 출력에 맞는 최적의 해상도로 설정하도록 할 수 있습니다.

스위치의 다양한 조합 설정은 아래와 같습니다.

#### AUTO - 스위치 1은 OFF, 스위치 2는 OFF

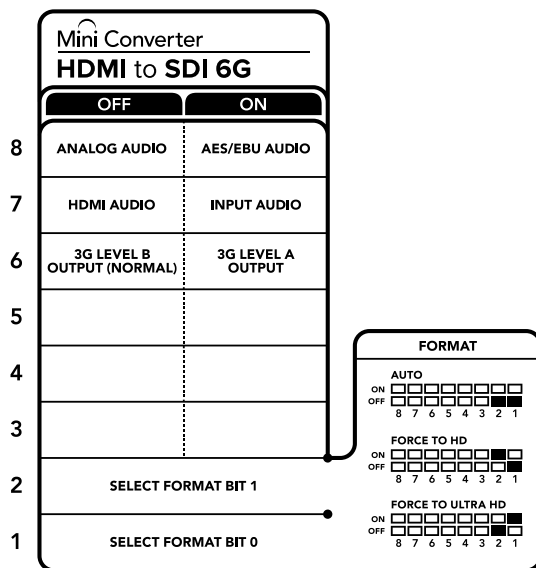
컨버터는 소스 장비에서 출력되는 해상도에 맞는 최적의 HD 또는 Ultra HD 해상도로 설정합니다.

#### FORCE TO HD - 스위치 1은 OFF, 스위치 2는 ON

컨버터 명령을 통해 HD 또는 Ultra HD를 출력할 수 있는 HDMI 소스 장비에서 HD 비디오만 출력하도록 설정됩니다.

#### FORCE TO ULTRA HD - 스위치 1은 ON, 스위치 2는 OFF

컨버터 명령을 통해 HD 또는 Ultra HD를 출력할 수 있는 HDMI 소스 장비에서 Ultra HD 비디오만 출력하도록 설정됩니다.



컨버전 설정 변경에 관한 자세한 정보는 컨버터 아래에 있는 스위치 사용 범례에서 확인할 수 있습니다.

## Blackmagic Converters Setup 설정

Blackmagic Converters Setup 유틸리티를 사용해 설정을 변경하고 Mini Converter의 소프트웨어를 업데이트할 수 있습니다. 이러한 설정은 [Audio] 탭과 [About] 탭에서 수행할 수 있습니다. [About] 탭에 관한 자세한 내용은 본 설명서의 [설정 변경하기] 부분을 참고하세요. Mini Converter HDMI to SDI 6G의 [Audio] 탭에서는 다음과 같은 사항을 설정할 수 있습니다.



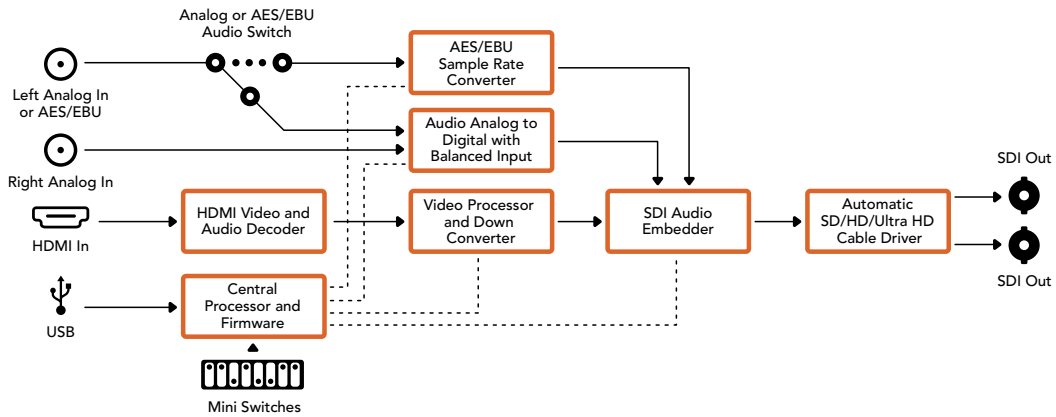
### 입력 레벨(Input Levels) 메뉴

이 메뉴에서 오디오 입력의 게인값을 조절할 수 있습니다. 각 채널의 오디오 레벨을 개별적으로 조절하거나 슬라이더 옆에 있는 링크 아이콘을 클릭해 동시에 조절할 수 있습니다. 모든 오디오 레벨을 0dB로 초기화하려면, Input Levels 메뉴 오른쪽 끝에 있는 리셋 버튼을 누르세요.



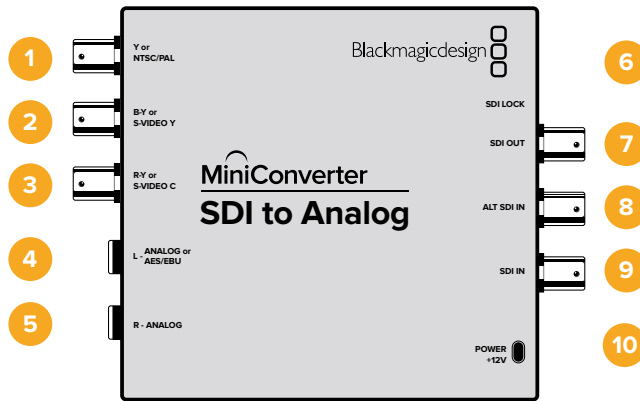
Blackmagic Converters Setup의 [Audio] 탭을 통해 오디오 레벨을 조절하세요.

### Mini Converter HDMI to SDI 6G 블록 선도



### Mini Converter SDI to Analog

Blackmagic Mini Converter SDI to Analog는 SD/HD-SDI를 아날로그 컴포넌트와 NTSC/PAL 비디오 출력으로 변환할 수 있을 뿐만 아니라 균형 AES/EBU 및 아날로그 오디오를 출력할 수도 있습니다. 컨버터를 Betacam SP나 VHS 같은 아날로그 비디오 모니터 및 데크에 쉽게 연결할 수 있습니다. 하드웨어 다운 컨버터를 통해 HD-SDI 비디오를 SD 아날로그 장비에 연결할 수 있습니다. 16개의 디임베드 SDI 오디오 채널로부터 한 쌍의 아날로그 오디오를 출력할 수도 있습니다.



## 커넥터

- 1 **Y or NTSC/PAL**  
아날로그 컴포넌트 Y 또는 콤포지트 NTSC/PAL 출력(BNC 커넥터).
- 2 **B-Y 및 S-VIDEO Y**  
아날로그 컴포넌트 B-Y, S-Video Y 출력(BNC 커넥터).
- 3 **R-Y 및 S-VIDEO C**  
아날로그 컴포넌트 R-Y, S-Video C 출력(BNC 커넥터).
- 4 **L - ANALOG or AES/EBU**  
좌측 채널의 균형 아날로그 오디오 또는 AES/EBU 디지털 오디오 출력 (1/4 인치 잭 커넥터).
- 5 **R - ANALOG**  
우측 채널의 균형 아날로그 오디오 출력(1/4인치 잭 커넥터).
- 6 **미니-B USB 포트**  
Mac OS X/Windows 컴퓨터의 Blackmagic Converters Setup 소프트웨어에 연결할 수 있습니다. Mini Converter의 내부 소프트웨어는 USB 포트를 통해 업데이트할 수 있습니다.
- 7 **SDI OUT**  
SDI 비디오 출력(BNC 커넥터).
- 8 **ALT SDI IN**  
리턴던트 SDI 입력이 백업 옵션으로 제공됩니다.
- 9 **SDI IN**  
주요 SDI 입력.
- 10 **POWER +12V**  
12V 전원 공급 입력.

## 스위치

### 스위치 8 - Analog Audio, AES/EBU Audio

스위치 8을 OFF로 설정하면 균형 아날로그 오디오가, ON으로 설정하면 디지털 AES/EBU 오디오 출력이 선택됩니다.

### 스위치 7 - 7.5 IRE - 0.0 IRE

셋업 레벨이 7.5인 NTSC를 사용하는 미국 및 기타 국가에서는 스위치 7을 OFF로 설정합니다. 7.5 IRE 설정을 사용하지 않는 국가에서는 스위치 7을 ON으로 설정하세요. 이 설정은 콤포지트 또는 S-Video 출력에만 해당됩니다.

### 스위치 6 - SMPTE Levels - Betacam Levels

스위치 6을 OFF로 설정하면 SMPTE 레벨을, ON으로 설정하면 Betacam 레벨을 사용할 수 있습니다. SMPTE 레벨은 흔히 사용하는 비디오 레벨이며 Betacam SP 데크에서도 SMPTE 레벨을 사용할 수 있으므로, Betacam 레벨 사용 여부를 반드시 확인한 뒤에 Betacam으로 스위치 설정을 변경하세요.

### 스위치 5 - Component, Composite 및 S-Video

스위치 5를 OFF로 설정하면 아날로그 컴포넌트 비디오 출력을, ON으로 설정하면 컴포지트나 S-Video 출력을 선택할 수 있습니다.

HD 비디오 입력을 S-Video 및 컴포지트 출력에서 나타내려면, 다운 컨버전을 ON으로 설정해야 합니다. 컴포넌트 아날로그 비디오는 HD와 SD 비디오를 모두 지원합니다.

### 스위치 4 - SDI Audio De-Embed Bit 2

스위치 4와 3, 2는 8가지의 조합의 ON/OFF 설정 방식을 제공합니다. 8개의 각기 다른 조합의 설정을 통해 SDI 입력에서 8개의 개별 오디오 채널 조합을 디임베드할 수 있습니다.

### 스위치 3- SDI Audio De-Embed Bit 1

스위치 4의 설명을 참조하세요.

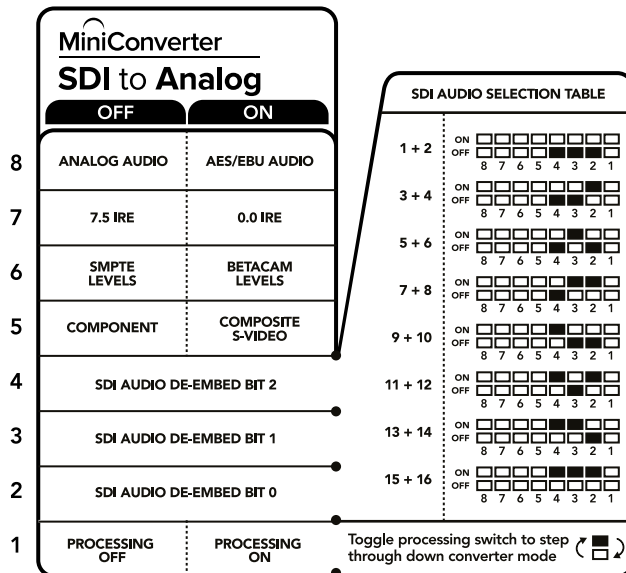
### 스위치 2 - SDI Audio De-Embed Bit 0

스위치 4의 설명을 참조하세요.

### 스위치 1 - Processing Off - Processing On

HD를 SD로 다운 컨버팅할 때, 스위치 1을 사용하면 세 가지 유형의 종횡비로 전환할 수 있습니다. 예를 들어, 스위치를 ON/OFF로 설정할 때마다 애너모픽(Anamorphic)과 센터 컷(Center Cut), 레터박스(Letterbox) 종횡비로 전환됩니다. 스위치 1을 OFF로 설정해 두면 다운 컨버팅되지 않고 HD로 출력됩니다.

USB를 통해 Blackmagic Converters Setup에 연결하면 소프트웨어로 다운 컨버전 설정을 제어할 수 있습니다. 컨버터가 소프트웨어 설정을 기억하도록 하려면, 컨버터를 컴퓨터에서 분리하여 전원을 다시 시작한 뒤, 스위치 1을 사용해 원하는 다운 컨버전을 설정하세요.



컨버전 설정 변경에 관한 자세한 정보는 컨버터 아래에 있는 스위치 사용 범례에서 확인할 수 있습니다.

### 스위치 설정 예시

Blackmagic Mini Converter에서 HD 컴포넌트 비디오와 SDI 오디오 채널 1 및 채널 2를 출력하려면 스위치 8, 5, 4, 3, 2를 OFF로 설정하여 시험해 보세요.

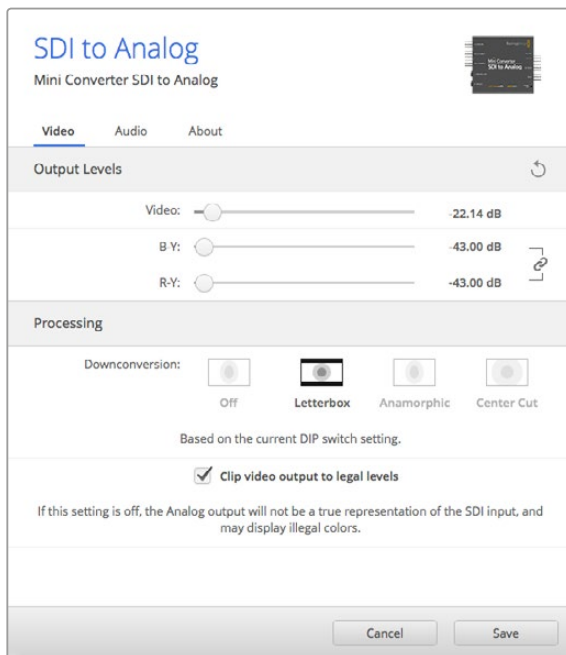
## SDI 오디오 설정표

오디오 채널	스위치 4	스위치 3	스위치 2	스위치 다이어그램
1과 2	OFF	OFF	OFF	
3과 4	OFF	OFF	ON	
5와 6	OFF	ON	OFF	
7과 8	OFF	ON	ON	
9와 10	ON	OFF	OFF	
11과 12	ON	OFF	ON	
13과 14	ON	ON	OFF	
15와 16	ON	ON	ON	

## Blackmagic Converters Setup 설정

Blackmagic Converters Setup 유틸리티를 통해 설정을 변경하고 Mini Converter의 소프트웨어를 업데이트할 수 있습니다. 모든 설정은 [Video] 및 [About] 탭에서 사용할 수 있습니다.

[About] 탭에 관한 자세한 내용은 본 설명서의 [설정 변경하기] 부분을 참고하세요.



Blackmagic Converters Setup의 [Video] 탭을 통해 아날로그 비디오 레벨과 프로세싱 설정을 조정하세요.

### 프로세싱(Processing) 메뉴

이 메뉴에서는 다운 컨버팅된 비디오의 중형비를 설정할 수 있습니다. 레터박스(Letterbox), 애너모픽(Anamorphic), 센터 컷(Center Cut), 선택 안함(Off) 중에서 선택할 수 있습니다.

[Clip video output to legal levels] 확인란은 SDI 입력 신호의 클리핑을 제어하여 HDMI 규정 범위 내로 영상을 유지하기 위한 설정이기 때문에 기본 설정으로 유지해야 합니다.

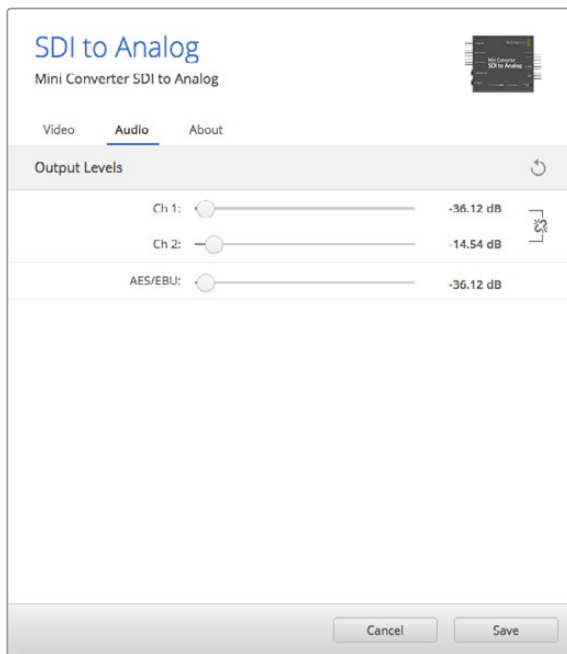
### 출력 레벨(Output Levels) 메뉴

이를 통해 루미넌스 및 크로마 레벨과 B-Y 및 R-Y 컴포넌트 레벨을 개별적으로 조절할 수 있습니다.

Mini Converter SDI to Analog의 [Audio] 탭에서는 다음과 같은 사항을 설정할 수 있습니다.

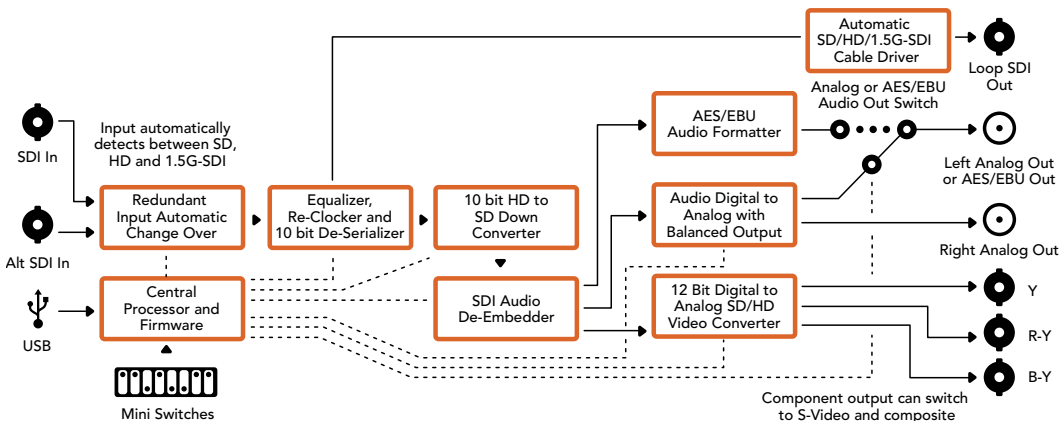
### 출력 레벨(Output Levels) 메뉴

이 메뉴를 통해 오디오 출력의 게인값을 조절할 수 있습니다. 각 채널의 오디오 레벨을 개별적으로 조절하거나 슬라이더 옆에 있는 링크 아이콘을 클릭해 동시에 조절할 수 있습니다. 모든 오디오 레벨을 0 dB로 초기화하려면, Output Levels 메뉴 오른쪽 끝에 있는 리셋 버튼을 누르세요.



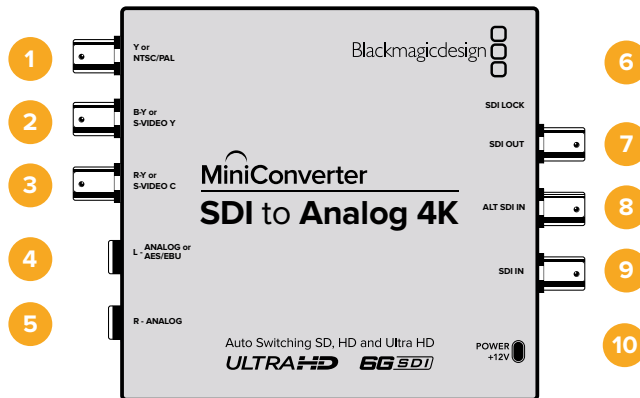
Blackmagic Converters Setup의 [Audio] 탭을 통해 아날로그 오디오 레벨을 조절하세요.

### Mini Converter SDI to Analog 블록 선도



## Mini Converter SDI to Analog 4K

Mini Converter SDI to Analog 4K와 SDI to Analog 4K Heavy Duty 모델은 SD/HD/3G/6G-SDI를 아날로그 컴포넌트와 NTSC/PAL 비디오 출력으로 변환할 수 있을 뿐만 아니라 균형 AES/EBU 및 아날로그 오디오를 출력할 수도 있습니다. 이 다운 컨버터를 통해 6G-SDI 비디오를 SD 또는 HD 아날로그 장비에 연결할 수 있어, Betacam SP나 VHS와 같은 비디오 모니터 및 데크에 쉽게 연결할 수 있습니다. 16개의 디임베디드 SDI 오디오 채널로부터 한 쌍의 아날로그 오디오를 출력할 수도 있습니다.



## 커넥터

- 1 **Y or NTSC/PAL**  
아날로그 컴포넌트 Y 또는 컴포지트 NTSC/PAL 출력(BNC 커넥터).
- 2 **B-Y 및 S-VIDEO Y**  
아날로그 컴포넌트 B-Y, S-Video Y 출력(BNC 커넥터).
- 3 **R-Y 및 S-VIDEO C**  
아날로그 컴포넌트 R-Y, S-Video C 출력(BNC 커넥터).
- 4 **L - ANALOG or AES/EBU**  
좌측 채널의 균형 아날로그 오디오 또는 AES/EBU 디지털 오디오 출력 (1/4인치 잭 커넥터).
- 5 **R - ANALOG**  
우측 채널의 균형 아날로그 오디오 출력(1/4인치 잭 커넥터).
- 6 **미니-B USB 포트**  
Mac OS X/Windows 컴퓨터의 Blackmagic Converters Setup 소프트웨어에 연결할 수 있습니다. Mini Converter의 내부 소프트웨어는 USB 포트를 통해 업데이트할 수 있습니다.
- 7 **SDI OUT**  
SDI 비디오 출력(BNC 커넥터).
- 8 **ALT SDI IN**  
리던던트 SDI 입력이 백업 옵션으로 제공됩니다.
- 9 **SDI IN**  
주요 SDI 입력.
- 10 **POWER +12V**  
12V 전원 공급 입력.

## 스위치

**정보** Mini Converter Heavy Duty 모델의 스위치는 고무 커버로 덮여있습니다. 커버 끝을 들어올려 스위치를 사용할 수 있습니다.

Mini Converter SDI to Analog 4K의 스위치는 다음과 같은 설정 사항을 제공합니다.

### 스위치 8 - Analog Audio, AES/EBU Audio

스위치 8을 OFF로 설정하면 균형 아날로그 오디오가, ON으로 설정하면 디지털 AES/EBU 오디오 출력이 선택됩니다.

### 스위치 7 - 7.5 IRE - 0.0 IRE

셋업 레벨이 7.5인 NTSC를 사용하는 미국 및 기타 국가에서는 스위치 7을 OFF로 설정합니다. 7.5 IRE 설정을 사용하지 않는 국가에서는 스위치 7을 ON으로 설정하세요. 이 설정은 컴포지트 또는 S-Video 출력에만 해당됩니다.

### 스위치 6 - SMPTE Levels - Betacam Levels

스위치 6을 OFF로 설정하면 SMPTE 레벨을, ON으로 설정하면 Betacam 레벨을 사용할 수 있습니다. SMPTE 레벨은 흔히 사용하는 비디오 레벨이며 Betacam SP 데크에서도 SMPTE 레벨을 사용할 수 있으므로, Betacam 레벨 사용 여부를 반드시 확인한 뒤에 Betacam으로 스위치 설정을 변경하세요.

### 스위치 5 - Component, Composite 및 S-Video

스위치 5를 OFF로 설정하면 아날로그 컴포넌트 비디오 출력을, ON으로 설정하면 컴포지트나 S-Video 출력을 선택할 수 있습니다.

HD 비디오 입력을 S-Video 및 컴포지트 출력에서 SD로 나타내려면, 다운 컨버전을 ON으로 설정해야 합니다. 컴포넌트 아날로그 비디오는 HD와 SD 비디오를 모두 지원합니다.

### 스위치 4, 3, 2 - SDI Audio De-Embed

스위치 4와 3, 2는 8가지의 조합의 ON/OFF 설정 방식을 제공합니다. 8개의 각기 다른 조합의 설정을 통해 SDI 입력에서 8개의 개별 오디오 채널 조합을 디임베드할 수 있습니다.

### 스위치 1 - Processing Off - Processing On

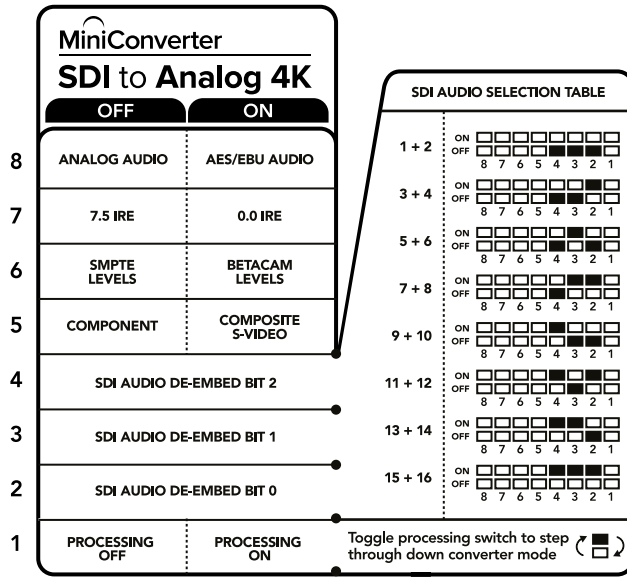
스위치 1을 사용해 3가지 종류의 종횡비로 다운 컨버전할 수 있습니다. 스위치를 ON/OFF로 설정할 때마다 애너모픽(Anamorphic)과 센터 컷(Center Cut), 레터박스(Letterbox) 종횡비로 전환됩니다.

HD와 Ultra HD 입력의 경우, 스위치를 OFF로 설정하면 컴포넌트 출력을 통해 HD 아날로그를 출력할 수 있습니다.

스위치를 ON으로 설정하면 Ultra HD 입력이 다른 스위치 설정에 따라 아날로그 PAL/NTSC 또는 HD로 다운 컨버팅됩니다. 4K DCI는 컴포넌트 HD에 맞게 크기가 조절되어 출력됩니다.

HD 입력의 경우, 스위치를 ON으로 설정하면 다른 스위치 설정에 따라 아날로그 PAL/NTSC 또는 컴포넌트로 다운 컨버팅됩니다.

USB를 통해 Blackmagic Converters Setup에 연결하면 소프트웨어로 다운 컨버전 설정을 제어할 수 있습니다. 컨버터가 소프트웨어 설정을 기억하도록 하려면, 컨버터를 컴퓨터에서 분리하여 전원을 다시 시작한 뒤, 스위치 1을 사용해 원하는 다운 컨버전을 설정하세요.



컨버전 설정 변경에 관한 자세한 정보는 컨버터 아래에 있는 스위치 사용 범례에서 확인할 수 있습니다.

## 스위치 설정 예시

Blackmagic Mini Converter에서 HD 컴포넌트 비디오와 SDI 오디오 채널 1 및 채널 2를 출력하려면 스위치 8, 5, 4, 3, 2를 OFF로 설정하여 시험해 보세요.

## 오디오 선택 설정표

오디오 채널	스위치 4	스위치 3	스위치 2	스위치 다이어그램
1과 2	OFF	OFF	OFF	ON OFF
3과 4	OFF	OFF	ON	ON OFF
5와 6	OFF	ON	OFF	ON OFF
7과 8	OFF	ON	ON	ON OFF
9와 10	ON	OFF	OFF	ON OFF
11과 12	ON	OFF	ON	ON OFF
13과 14	ON	ON	OFF	ON OFF
15와 16	ON	ON	ON	ON OFF



## Blackmagic Converters Setup 설정

Blackmagic Converters Setup 유틸리티를 통해 설정을 변경하고 Mini Converter의 소프트웨어를 업데이트할 수 있습니다. 모든 설정은 [Video] 및 [About] 탭에서 사용할 수 있습니다.

[About] 탭에 관한 자세한 내용은 본 설명서의 [설정 변경하기] 부분을 참고하세요.

Mini Converter SDI to Analog 4K의 [Video] 탭에서는 다음과 같은 사항을 설정할 수 있습니다.

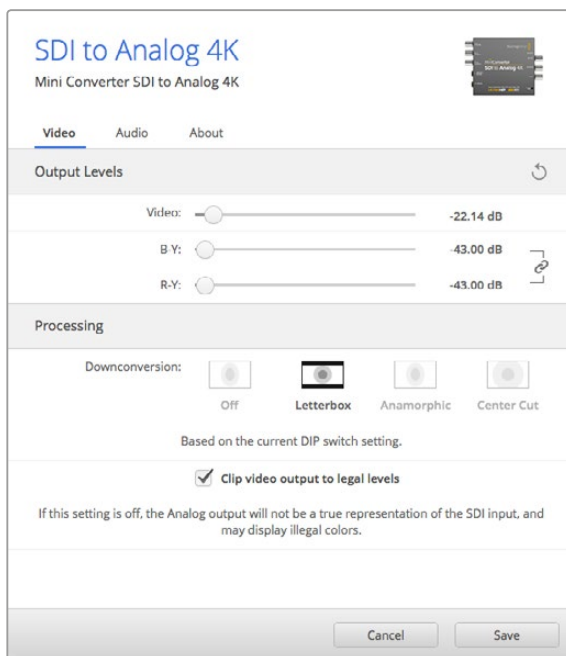
### 출력 레벨(Output Levels) 메뉴

이를 통해 루미넌스 및 크로마 레벨과 B-Y 및 R-Y 컴포넌트 레벨을 개별적으로 조절할 수 있습니다.

### 프로세싱(Processing) 메뉴

이 메뉴에서는 다운 컨버팅된 비디오의 종횡비를 설정할 수 있습니다. 레터박스(Letterbox), 애너모픽(Anamorphic), 센터 컷(Center Cut), 선택 안함(Off) 중에서 선택할 수 있습니다.

[Clip video output to legal levels] 확인란은 SDI 입력 신호의 클리핑을 제어하여 HDMI 규정 범위 내로 영상 신호를 유지하기 위한 설정이기 때문에 기본 설정으로 유지해야 합니다.

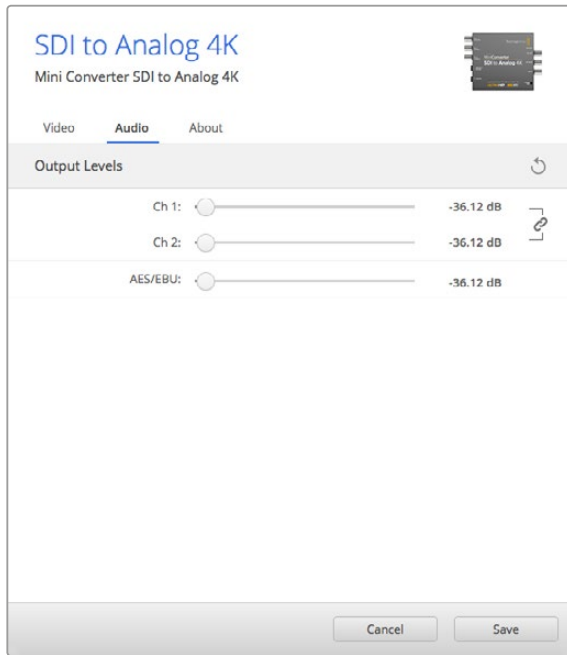


Blackmagic Converters Setup의 [Video] 탭을 통해 아날로그 비디오 레벨과 프로세싱 설정을 조정하세요.

Mini Converter SDI to Analog 4K의 [Audio] 탭에서는 다음과 같은 사항을 설정할 수 있습니다.

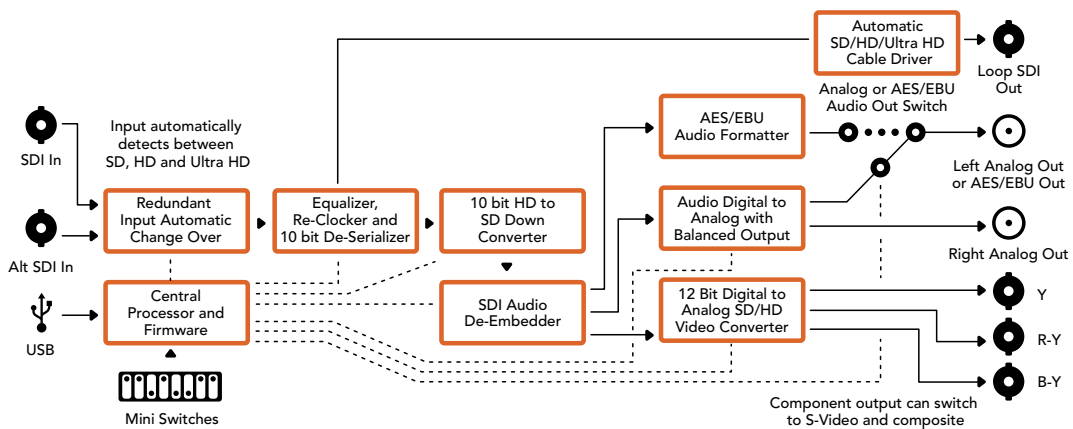
### 출력 레벨(Output Levels) 메뉴

이 메뉴에서 오디오 입력의 게인값을 조절할 수 있습니다. 각 채널의 오디오 레벨을 개별적으로 조절하거나 슬라이더 옆에 있는 링크 아이콘을 클릭해 동시에 조절할 수 있습니다. 모든 오디오 레벨을 0 dB로 초기화하려면, Output Levels 메뉴 오른쪽 끝에 있는 리셋 버튼을 누르세요.



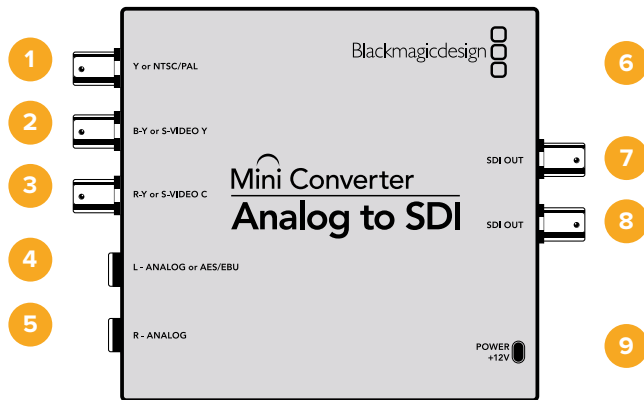
Blackmagic Converters Setup의 [Audio] 탭을 통해 아날로그 오디오 레벨을 조절하세요.

## Mini Converter SDI to Analog 4K 블록 선도



## Mini Converter Analog to SDI

Mini Converter Analog to SDI와 Analog to SDI Heavy Duty 모델을 통해 Betacam SP 데크와 HDV 카메라, 게임 콘솔 같은 아날로그 장비의 비디오 및 오디오를 SD/HD-SDI 비디오로 변환할 수 있습니다. 컴포넌트 SD/HD와 S-비디오 또는 컴포지트 NTSC/PAL 등 원하는 아날로그 및 디지털 포맷을 선택할 수 있습니다. 컨버터의 HD-SDI 출력은 디지털 AES/EBU 오디오 또는 아날로그 오디오를 임베드할 수 있는 옵션 사항을 제공합니다.



## 커넥터

- 1 **Y or NTSC/PAL**  
아날로그 컴포넌트 Y 또는 콤포지트 NTSC/PAL 입력(BNC 커넥터).
- 2 **B-Y 및 S-VIDEO Y**  
아날로그 컴포넌트 B-Y, S-Video Y 입력(BNC 커넥터).
- 3 **R-Y 및 S-VIDEO C**  
아날로그 컴포넌트 R-Y, S-Video C 입력(BNC 커넥터).
- 4 **L - ANALOG or AES/EBU**  
좌측 채널의 균형 아날로그 오디오 또는 AES/EBU 디지털 오디오 입력 (1/4인치 잭 커넥터).
- 5 **R - ANALOG**  
우측 채널의 균형 아날로그 오디오 입력(1/4인치 잭 커넥터).
- 6 **미니-B USB 포트**  
Mac OS X/Windows 컴퓨터의 Blackmagic Converters Setup 소프트웨어에 연결할 수 있습니다. Mini Converter의 내부 소프트웨어는 USB 포트를 통해 업데이트할 수 있습니다.
- 7 **SDI OUT**  
SDI 비디오 출력(BNC 커넥터).
- 8 **SDI OUT**  
두 번째 SDI 출력.
- 9 **POWER +12V**  
12V 전원 공급 입력.

## 스위치

**정보** Mini Converter Heavy Duty 모델의 스위치는 고무 커버로 덮여있습니다. 커버 끝을 들어올려 스위치를 사용할 수 있습니다.

Mini Converter Analog to SDI 스위치는 다음과 같은 설정 사항을 제공합니다.

### 스위치 8 - Analog Audio, AES/EBU Audio

스위치 8을 OFF로 설정하면 균형 아날로그 오디오가 선택되고, ON으로 설정하면 디지털 AES/EBU 오디오 입력이 선택됩니다.

### 스위치 7 - 7.5 IRE - 0.0 IRE

셋업 레벨이 7.5인 NTSC를 사용하는 미국 및 기타 국가에서는 스위치 7을 OFF로 설정합니다. 일본처럼 7.5 IRE 설정을 사용하지 않는 국가에서는 스위치 7을 ON으로 설정하세요. 이 설정은 컴포지트 또는 S-Video 출력에만 해당됩니다.

### 스위치 6 - SMPTE Levels - Betacam Levels

이 스위치 설정으로 SMPTE 비디오 레벨 또는 Betacam 비디오 레벨을 선택합니다. 스위치 6을 OFF로 설정하면 SMPTE 레벨을, ON으로 설정하면 Betacam 레벨을 선택할 수 있습니다. SMPTE 레벨은 흔히 사용하는 비디오 레벨이며 Betacam SP 데크에서도 SMPTE 레벨을 사용할 수 있으므로, Betacam 레벨 사용 여부를 반드시 확인한 뒤에 Betacam으로 스위치 설정을 변경하세요.

### 스위치 5 - Component, Composite 및 S-Video

스위치 5를 OFF로 설정하면 아날로그 컴포넌트 비디오 입력을, ON으로 설정하면 컴포지트 비디오 및 S-Video 아날로그 입력을 선택할 수 있습니다.

Mini Converter Analog to SDI		
	OFF	ON
8	ANALOG AUDIO	AES/EBU AUDIO
7	7.5 IRE	0.0 IRE
6	SMPTE LEVELS	BETACAM LEVELS
5	COMPONENT	COMPOSITE or S-VIDEO
4	COMPOSITE	S-VIDEO
3		
2		
1	PROCESSING OFF	PROCESSING ON

컨버전 설정 변경에 관한 자세한 정보는 컨버터 아래에 있는 스위치 사용 범례에서 확인할 수 있습니다.

### 스위치4 - Composite - S-Video

스위치 4를 OFF로 설정하면 컴포지트 비디오 입력이, ON으로 설정하면 S-Video 입력이 선택됩니다.

### 스위치 1 - Processing Off - Processing On

이 스위치는 사용되지 않습니다.

## 스위치 설정 예시

컴포넌트 비디오와 아날로그 오디오 입력을 위해 스위치 8과 스위치 5를 Off로 설정하여 Blackmagic Mini Converter 설정을 시도해보세요.

## Blackmagic Converters Setup 설정

Blackmagic Converters Setup 유틸리티를 통해 설정을 변경하고 Mini Converter의 소프트웨어를 업데이트할 수 있습니다. 모든 설정은 [Video] 및 [About] 탭에서 사용할 수 있습니다.

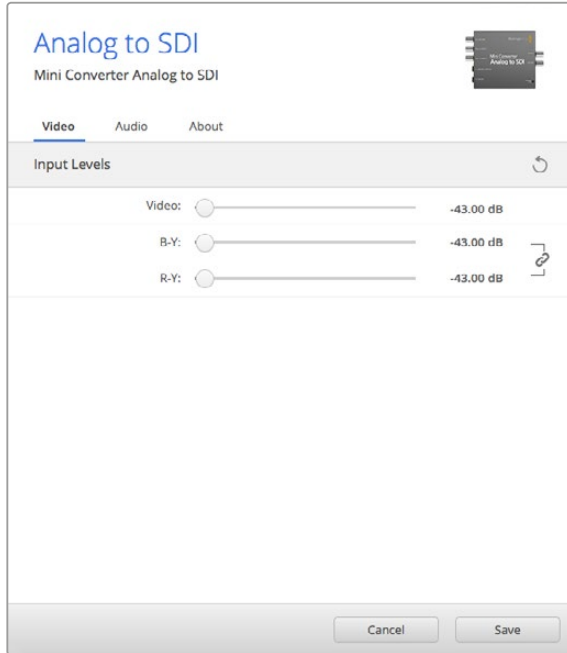
[About] 탭에 관한 자세한 내용은 본 설명서의 [설정 변경하기] 부분을 참고하세요.

Mini Converter Analog to SDI의 [Video] 탭에서는 다음과 같은 사항을 설정할 수 있습니다.

### 입력 레벨(Input Levels) 메뉴

이를 통해 루미넌스 및 크로마 레벨과 B-Y 및 R-Y 컴포넌트 레벨을 개별적으로 조절할 수 있습니다.

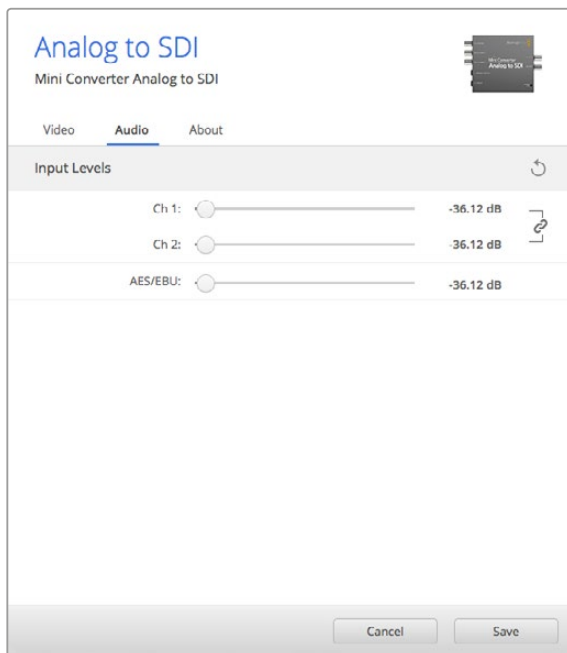
Mini Converter Analog to SDI의 [Audio] 탭에서는 다음과 같은 사항을 설정할 수 있습니다.



Blackmagic Converters Setup의 [Video] 탭을 통해 비디오 레벨을 조정하세요.

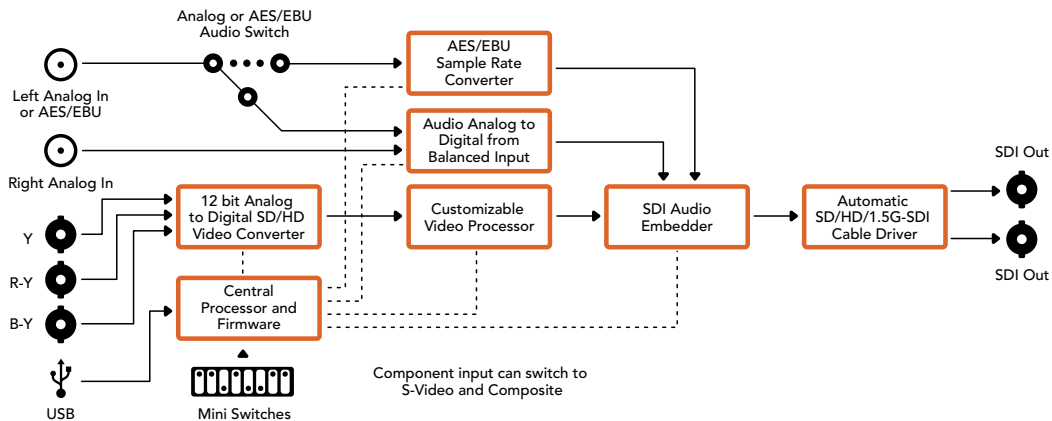
### 입력 레벨(Input Levels) 메뉴

이 메뉴에서 오디오 입력의 게인값을 조절할 수 있습니다. 각 채널의 오디오 레벨을 개별적으로 조절하거나 슬라이더 옆에 있는 링크 아이콘을 클릭해 동시에 조절할 수 있습니다. 모든 오디오 레벨을 0 dB로 초기화하려면, Input Levels 메뉴 오른쪽 끝에 있는 리셋 버튼을 누르세요.



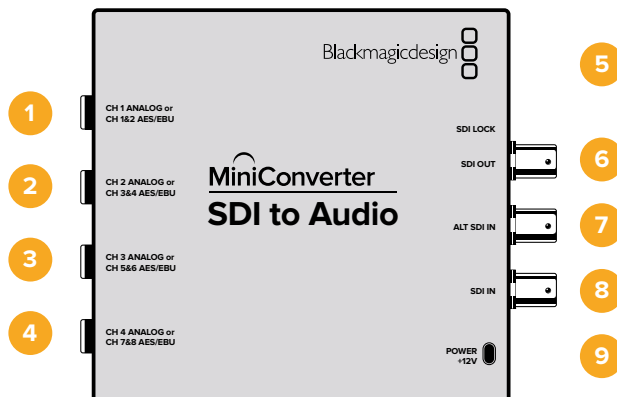
Blackmagic Converters Setup의 [Audio] 탭을 통해 아날로그 오디오 레벨을 조절하세요.

## Mini Converter Analog to SDI 블록 선도



## Mini Converter SDI to Audio

Mini Converter SDI to Audio를 통해 모든 SDI 비디오 입력에서 4채널의 오디오를 디임베드하여 4채널의 아날로그 오디오 또는 8채널의 AES/EBU 디지털로 출력할 수 있습니다. 오디오 믹서, 아날로그 데크, 레퍼런스 모니터 같은 오디오 장비에 출력할 수 있습니다. Mini Converter SDI to Audio를 다른 컨버터 SDI 출력에 데이터 체이닝 방식으로 연결하면 SDI 오디오 채널을 추가로 디임베드할 수 있습니다.



## 커넥터

- 1 CH 1 ANALOG or CH 1 & 2 AES/EBU**  
 균형 아날로그 오디오 채널 1 또는 AES/EBU 디지털 오디오 채널 1과 2 출력 (1/4인치 잭 커넥터).
- 2 CH 2 Analog or CH 3 & 4 AES/EBU**  
 균형 아날로그 오디오 채널 2 또는 AES/EBU 디지털 오디오 채널 3과 4 출력 (1/4인치 잭 커넥터).
- 3 CH 3 ANALOG or CH 5 & 6 AES/EBU**  
 균형 아날로그 오디오 채널 3 또는 AES/EBU 디지털 오디오 채널 5과 6 출력 (1/4인치 잭 커넥터).
- 4 CH 4 ANALOG or CH 7 & 8 AES/EBU**  
 균형 아날로그 오디오 채널 4 또는 AES/EBU 디지털 오디오 채널 7과 8 출력 (1/4인치 잭 커넥터).

## 5 미니-B USB 포트

Mac OS X/Windows 컴퓨터의 Blackmagic Converters Setup 소프트웨어에 연결할 수 있습니다. Mini Converter의 내부 소프트웨어는 USB 포트를 통해 업데이트할 수 있습니다.

## 6 SDI OUT

루프스루 SDI 비디오 출력(BNC 커넥터).

## 7 ALT SDI IN

백업 옵션으로 리던던트 SDI 입력이 제공됩니다. SDI 입력과 대체 SDI 입력을 동시에 사용할 경우, SDI 입력 신호가 끊어지면 대체 SDI 입력으로 전환됩니다. SDI LOCK LED가 깜빡이며 컨버터가 대체 SDI 입력으로 전환되었음을 나타냅니다.

## 8 SDI IN

주요 SDI 입력.

## 9 POWER +12V

12V 전원 공급 입력.

# 스위치

Mini Converter SDI to Audio의 스위치는 다음과 같이 설정할 수 있습니다.

### 스위치 8 - Analog Audio, AES/EBU Audio

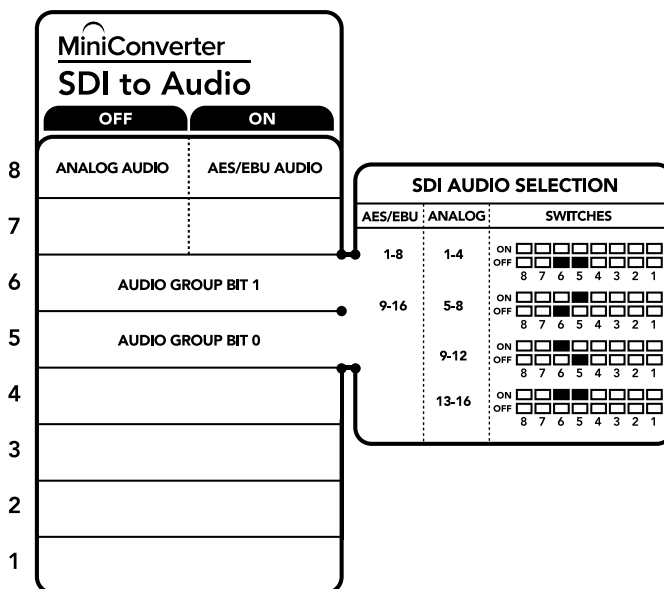
스위치 8을 OFF로 설정하면 균형 아날로그 오디오가, ON으로 설정하면 디지털 AES/EBU 오디오 출력이 선택됩니다.

### 스위치 6 - Audio Group Bit 1

스위치 6과 스위치 5를 네 가지의 ON/OFF 조합으로 설정할 수 있습니다. 이러한 설정을 통해 최대 4쌍의 아날로그 오디오 채널 또는 8개의 AES/EBU 오디오 채널 두 쌍을 SDI 입력에서 디임베드할 수 있습니다.

### 스위치 5 - Audio Group Bit 0

스위치 6의 설명을 참조하세요.



컨버터 바닥면에 있는 스위치 범례에서 컨버전 설정 변경에 필요한 모든 정보를 얻을 수 있습니다.

## 스위치 설정 예시

스위치로 여러 가지 설정을 시도해보세요. 스위치 8과 6, 5를 OFF로 설정하여 1부터 4까지 원하는 아날로그 오디오 채널을 선택하세요.

## 오디오 선택 설정표

아날로그 오디오 채널	스위치 6	스위치 5	스위치 다이어그램
1~4	OFF	OFF	ON OFF <input type="checkbox"/> <input type="checkbox"/> <input type="checkbox"/> <input type="checkbox"/> <input type="checkbox"/> <input type="checkbox"/> <input type="checkbox"/> <input type="checkbox"/> 8 7 6 5 4 3 2 1
5~8	OFF	ON	ON OFF <input type="checkbox"/> <input type="checkbox"/> <input type="checkbox"/> <input type="checkbox"/> <input type="checkbox"/> <input type="checkbox"/> <input type="checkbox"/> <input type="checkbox"/> 8 7 6 5 4 3 2 1
9~12	ON	OFF	ON OFF <input type="checkbox"/> <input type="checkbox"/> <input type="checkbox"/> <input type="checkbox"/> <input type="checkbox"/> <input type="checkbox"/> <input type="checkbox"/> <input type="checkbox"/> 8 7 6 5 4 3 2 1
13~16	ON	ON	ON OFF <input type="checkbox"/> <input type="checkbox"/> <input type="checkbox"/> <input type="checkbox"/> <input type="checkbox"/> <input type="checkbox"/> <input type="checkbox"/> <input type="checkbox"/> 8 7 6 5 4 3 2 1

AES/EBU 채널	스위치 6	스위치 5	스위치 다이어그램
1~8	OFF	OFF	ON OFF <input type="checkbox"/> <input type="checkbox"/> <input type="checkbox"/> <input type="checkbox"/> <input type="checkbox"/> <input type="checkbox"/> <input type="checkbox"/> <input type="checkbox"/> 8 7 6 5 4 3 2 1
9~16	OFF	ON	ON OFF <input type="checkbox"/> <input type="checkbox"/> <input type="checkbox"/> <input type="checkbox"/> <input type="checkbox"/> <input type="checkbox"/> <input type="checkbox"/> <input type="checkbox"/> 8 7 6 5 4 3 2 1

## Blackmagic Converters Setup 설정

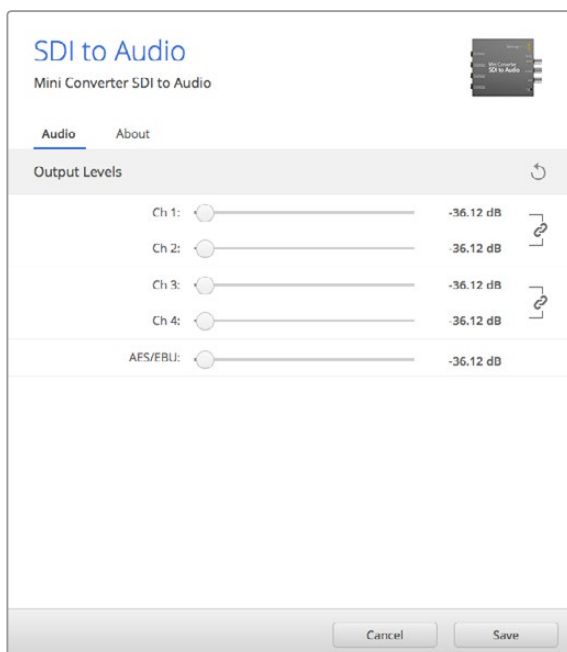
Blackmagic Converters Setup 유틸리티를 통해 설정을 변경하고 Mini Converter의 소프트웨어를 업데이트할 수 있습니다. 모든 설정은 [Audio] 및 [About] 탭에서 사용할 수 있습니다.

[About] 탭에 관한 자세한 내용은 본 설명서의 [설정 변경하기] 부분을 참고하세요.

Mini Converter SDI to Audio의 [Audio] 탭에서는 다음과 같은 설정을 사용할 수 있습니다.

### 출력 레벨(Output Levels) 메뉴

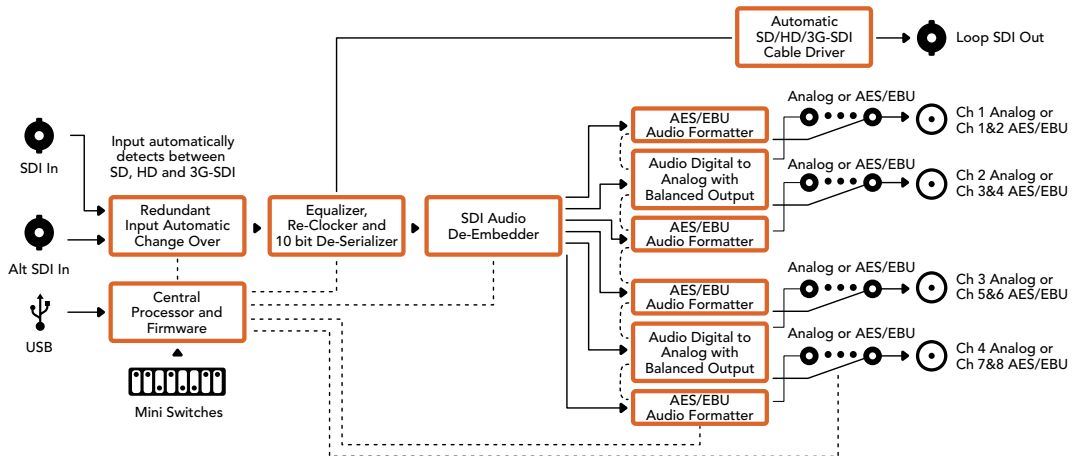
이 메뉴를 통해 오디오 출력의 게인값을 조절할 수 있습니다. 각 채널의 오디오 레벨을 독립적으로 조절하거나 슬라이더 옆에 있는 연결 아이콘을 클릭하여 한 쌍의 채널을 함께 제어할 수 있습니다. 모든 오디오 레벨을 0 dB로 초기화하려면, Output Levels 메뉴 오른쪽 끝에 있는 리셋 버튼을 누르세요.



Converters Setup의 [Audio] 탭을 통해 오디오 레벨을 조절하세요.



## Mini Converter SDI to Audio 블록선도



## Mini Converter SDI to Audio 4K

Mini Converter SDI to Audio 4K를 통해 모든 SDI 비디오 입력에서 4채널의 오디오를 디임베드하여 4채널의 아날로그 오디오 또는 8채널의 AES/EBU 디지털로 출력할 수 있습니다. 오디오 믹서, 아날로그 데크, 레퍼런스 모니터 같은 오디오 장비에 출력할 수 있습니다. Mini Converter SDI to Audio 4K를 다른 컨버터 SDI 출력에 데이지 체이닝 방식으로 연결하면 SDI 오디오 채널을 추가로 디임베드할 수 있습니다.



## 커넥터

- 1 CH 1 ANALOG or CH 1 & 2 AES/EBU**  
 균형 아날로그 오디오 채널 1 또는 AES/EBU 디지털 오디오 채널 1과 2 출력 (1/4인치 잭 커넥터).
- 2 CH 2 Analog or CH 3 & 4 AES/EBU**  
 균형 아날로그 오디오 채널 2 또는 AES/EBU 디지털 오디오 채널 3과 4 출력 (1/4인치 잭 커넥터).
- 3 CH 3 ANALOG or CH 5 & 6 AES/EBU**  
 균형 아날로그 오디오 채널 3 또는 AES/EBU 디지털 오디오 채널 5과 6 출력 (1/4인치 잭 커넥터).
- 4 CH 4 ANALOG or CH 7 & 8 AES/EBU**  
 균형 아날로그 오디오 채널 4 또는 AES/EBU 디지털 오디오 채널 7과 8 출력 (1/4인치 잭 커넥터).

**5 미니-B USB 포트**

Mac OS X/Windows 컴퓨터의 Blackmagic Converters Setup 소프트웨어에 연결할 수 있습니다. Mini Converter의 내부 소프트웨어는 USB 포트를 통해 업데이트할 수 있습니다.

**6 SDI OUT**

루프스루 SDI 비디오 출력(BNC 커넥터).

**7 ALT SDI IN**

백업 옵션으로 리던던트 SDI 입력이 제공됩니다. SDI 입력과 대체 SDI 입력을 동시에 사용할 경우, SDI 입력 신호가 끊어지면 대체 SDI 입력으로 전환됩니다. SDI LOCK LED가 깜빡이며 컨버터가 대체 SDI 입력으로 전환되었음을 나타냅니다.

**8 SDI IN**

주요 SDI 입력.

**9 POWER +12V**

12V 전원 공급 입력.

## 스위치

Mini Converter SDI to Audio 4K 스위치는 다음과 같은 설정 사항을 제공합니다.

### 스위치 8 - Analog Audio, AES/EBU Audio

스위치 8을 OFF로 설정하면 균형 아날로그 오디오가, ON으로 설정하면 디지털 AES/EBU 오디오 출력이 선택됩니다.

### 스위치 6 - Audio Group Bit 1

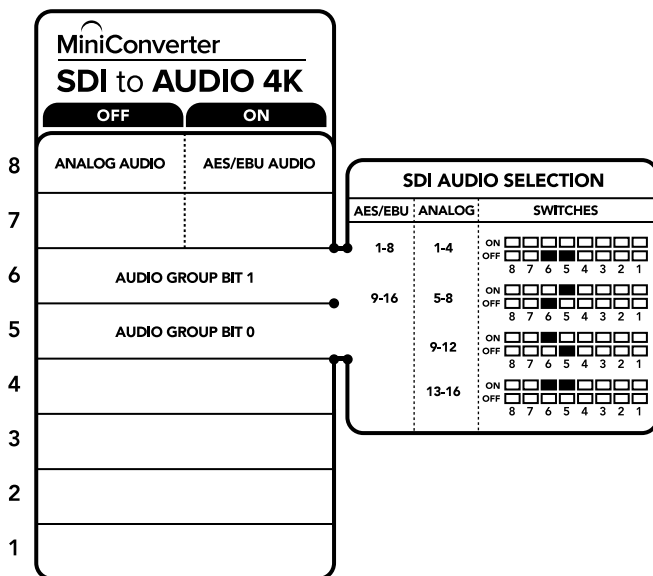
스위치 6과 스위치 5를 네 가지의 ON/OFF 조합으로 설정할 수 있습니다. 이러한 설정을 통해 최대 4쌍의 아날로그 오디오 채널 또는 8개의 AES/EBU 오디오 채널 두 쌍을 SDI 입력에서 디임베드할 수 있습니다.

### 스위치 5 - Audio Group Bit 0

스위치 6의 설명을 참조하세요.

## 스위치 설정 예시

스위치로 여러 가지 설정을 시도해보세요. 스위치 8과 6, 5를 OFF로 설정하여 1부터 4까지 원하는 아날로그 오디오 채널을 선택하세요.



컨버터 바닥면에 있는 스위치 범례에서 컨버전 설정 변경에 필요한 모든 정보를 얻을 수 있습니다.

## 오디오 선택 설정표

아날로그 오디오 채널	스위치 6	스위치 5	스위치 다이어그램
1~4	OFF	OFF	ON OFF 8 7 6 5 4 3 2 1
5~8	OFF	ON	ON OFF 8 7 6 5 4 3 2 1
9~12	ON	OFF	ON OFF 8 7 6 5 4 3 2 1
13~16	ON	ON	ON OFF 8 7 6 5 4 3 2 1

AES/EBU 채널	스위치 6	스위치 5	스위치 다이어그램
1~8	OFF	OFF	ON OFF 8 7 6 5 4 3 2 1
9~16	OFF	ON	ON OFF 8 7 6 5 4 3 2 1

## Blackmagic Converters Setup 설정

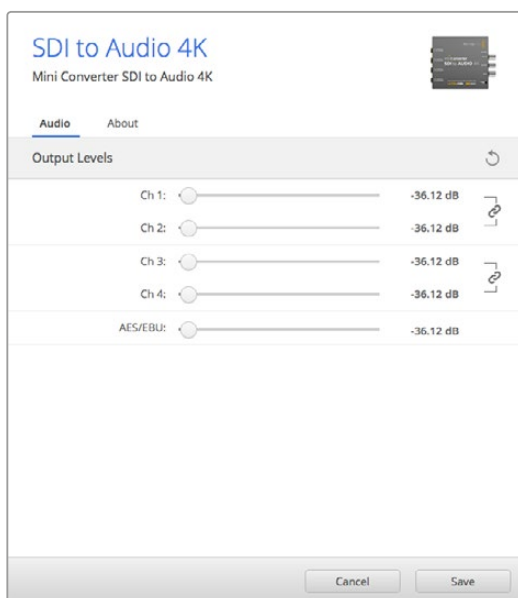
Blackmagic Converters Setup 유틸리티를 통해 설정을 변경하고 Mini Converter의 소프트웨어를 업데이트할 수 있습니다. 모든 설정은 [Audio] 및 [About] 탭에서 사용할 수 있습니다.

[About] 탭에 관한 자세한 내용은 본 설명서의 [설정 변경하기] 부분을 참고하세요.

Mini Converter SDI to Audio 4K의 [Audio] 탭에서는 다음과 같은 설정을 사용할 수 있습니다.

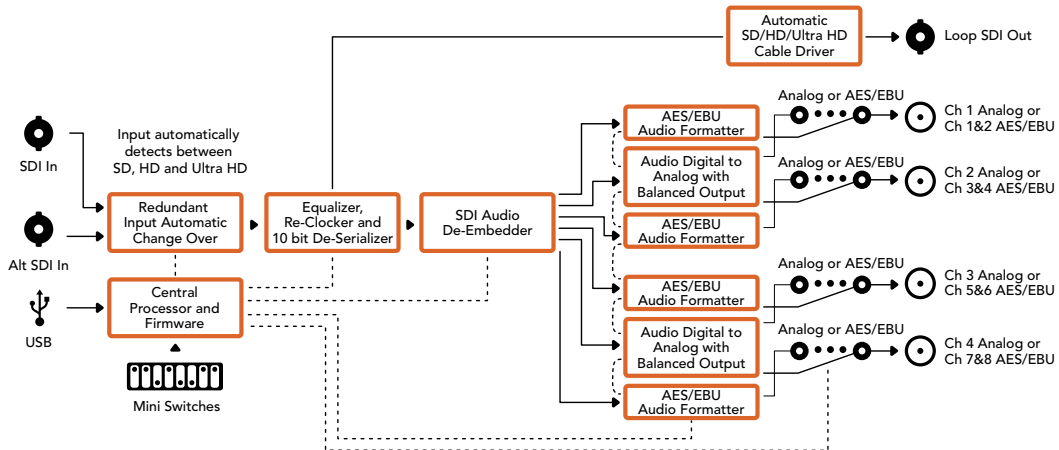
### 출력 레벨(Output Levels) 메뉴

이 메뉴에서 오디오 출력의 게인을 조절할 수 있습니다. 각 채널의 오디오 레벨을 독립적으로 조절하거나 슬라이더 옆에 있는 연결 아이콘을 클릭하여 한 쌍의 채널을 함께 제어할 수 있습니다. 모든 오디오 레벨을 0 dB로 초기화하려면 Output Levels 메뉴란의 리셋 버튼을 클릭합니다.



Blackmagic Converters Setup의 [Audio] 탭에서 아날로그 오디오 레벨을 조절하세요.

## Mini Converter SDI to Audio 4K 블록선도



## Mini Converter Audio to SDI

Mini Converter Audio to SDI 모델은 4개의 아날로그 오디오 채널 또는 8개의 AES/EBU 디지털 오디오 채널을 SDI 비디오 연결에 임베드할 수 있습니다. 오디오 믹서와 아날로그 데크 같은 장비의 오디오를 SDI 라우터 및 데크의 SDI 비디오 연결에 임베드할 수 있습니다. Mini Converter Audio to SDI를 다른 컨버터의 SDI 출력에 데이터 체이닝 방식으로 연결하면 SDI 오디오 채널을 추가로 임베드할 수 있습니다.



## 커넥터

- 1 **CH 1 아날로그 또는 CH 1 & 2 AES/EBU**  
균형 아날로그 오디오 채널 1 또는 AES/EBU 디지털 오디오 채널 1과 2 입력 (1/4인치 잭 커넥터).
- 2 **CH 2 아날로그 또는 CH 3 & 4 AES/EBU**  
균형 아날로그 오디오 채널 2 또는 AES/EBU 디지털 오디오 채널 3과 4 입력 (1/4인치 잭 커넥터).
- 3 **CH 3 아날로그 또는 CH 5 & 6 AES/EBU**  
균형 아날로그 오디오 채널 3 또는 AES/EBU 디지털 오디오 채널 5과 6 입력 (1/4인치 잭 커넥터).
- 4 **CH 4 아날로그 또는 CH 7 & 8 AES/EBU**  
균형 아날로그 오디오 채널 4 또는 AES/EBU 디지털 오디오 채널 7과 8 입력 (1/4인치 잭 커넥터).
- 5 **미니-B USB 포트**  
Mac OS X/Windows 컴퓨터의 Blackmagic Converters Setup 소프트웨어에 연결해 Mini Converter의 내부 소프트웨어를 업데이트할 수 있습니다. Mini Converter의 내부 소프트웨어 또한 USB 포트를 통해 업데이트됩니다.

## 6 SDI OUT

SDI 비디오 출력을 루프스루합니다.

## 7 ALT SDI IN

백업 옵션으로 사용할 수 있는 리던던트 SDI 입력입니다. SDI 입력과 대체 SDI 입력을 동시에 사용할 경우, SDI 입력 신호가 끊어지면 신호가 대체 SDI 입력으로 전환됩니다. SDI LOCK LED가 깜빡이며 컨버터가 대체 SDI 입력으로 전환되었음을 나타냅니다.

## 8 SDI IN

주요 SDI 입력.

## 9 POWER +12V

12V 전원 공급 입력.

# 스위치

Teranex Mini Audio to SDI 12G 스위치는 다음과 같은 설정 사항을 제공합니다.

### 스위치 8 - Analog Audio, AES/EBU Audio

스위치 8을 OFF로 설정하면 균형 아날로그 오디오가 선택되고, ON으로 설정하면 디지털 AES/EBU 오디오 입력이 선택됩니다.

### 스위치 7 - Sample Rate Conversion, No Sample Rate Conversion

스위치 7을 OFF로 설정하면 샘플 속도 변환 기능이 활성화되고, ON으로 설정하면 비활성화됩니다. 대부분의 경우에는 스위치 7을 OFF로 설정하여 오디오가 TV 표준에 맞는 샘플 속도로 정확히 임베드될 수 있도록 합니다.

스위치 7을 OFF로 설정하면 아날로그 또는 AES/EBU 오디오의 샘플 속도가 변환되며, SDI 출력에 오디오가 48 kHz 샘플 속도로 임베드됩니다. 스위치 7을 ON으로 설정하면 샘플 속도 변환 기능은 비활성화되고 오디오는 사용하는 입력 오디오의 기본 샘플 속도로 출력됩니다.

### 스위치 6 - Audio Group Bit 1

스위치 6과 스위치 5를 네 가지의 ON/OFF 조합으로 설정하여 사용할 수 있습니다. 네 가지의 다양한 조합으로 최대 4개의 아날로그 오디오 채널 또는 8개의 AES/EBU 오디오 채널을 SDI 출력에 임베드할 수 있습니다.

### 스위치 5 - Audio Group Bit 0

스위치 6의 설명을 참조하세요.

## 오디오 선택 설정표

아날로그 오디오 채널	스위치 6	스위치 5	스위치 다이어그램
1~4	OFF	OFF	ON OFF 
5~8	OFF	ON	ON OFF 
9~12	ON	OFF	ON OFF 
13~16	ON	ON	ON OFF 

AES/EBU 채널	스위치 6	스위치 5	스위치 다이어그램
1~8	OFF	OFF	ON OFF 
9~16	OFF	ON	ON OFF 

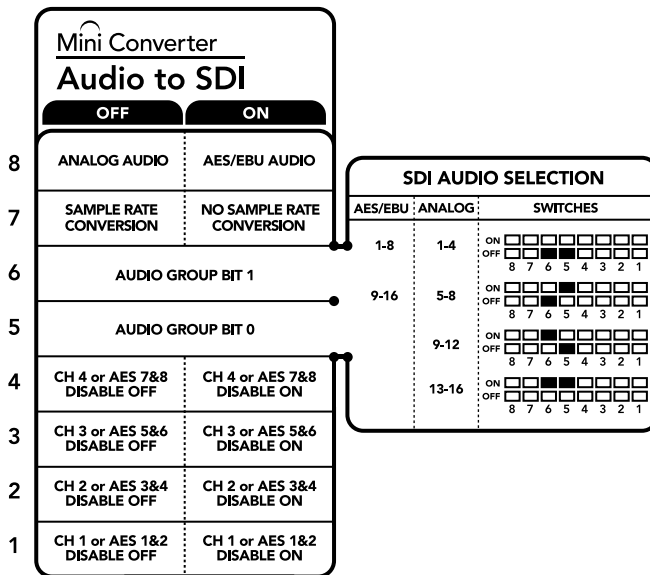
## 임베드하기 또는 채널 비활성화하기

오디오 채널을 선택한 뒤, 스위치 4와 3, 2, 1을 사용하여 오디오를 임베드 또는 비활성화하려는 채널을 선택하세요. 비활성화 설정을 통해 SDI 신호에 유지하려는 오디오 채널을 덮어쓰는 현상을 방지할 수 있습니다.

예를 들어, 스위치 1을 ON으로 설정하면 아날로그 오디오 채널 1 또는 AES/EBU 채널 1과 채널 2를 비활성화할 수 있습니다. 다른 방법으로 스위치 1을 OFF로 설정하면 오디오 채널을 임베드할 수 있습니다.

## 오디오 채널 디임베드 또는 설정 비활성화하기

스위치	설정	오디오 채널
4	ON	아날로그 채널 4, AES/EBU 채널 7과 8 비활성화
	OFF	아날로그 채널 4, AES/EBU 채널 7과 8 임베드
3	ON	아날로그 채널 3, AES/EBU 채널 5와 6 비활성화
	OFF	아날로그 채널 3, AES/EBU 채널 5와 6 임베드
2	ON	아날로그 채널 2, AES/EBU 채널 3과 4 비활성화
	OFF	아날로그 채널 2, AES/EBU 채널 3과 4 임베드
1	ON	아날로그 채널 1, AES/EBU 채널 1과 2 비활성화
	OFF	아날로그 채널 1, AES/EBU 채널 1과 2 임베드



컨버전 설정 변경에 필요한 모든 정보는 컨버터 아래에 있는 스위치 범례에서 확인할 수 있습니다.

## 스위치 설정 예시

스위치로 여러 가지 설정을 시도해보세요. 스위치 8과 6, 5를 OFF로 설정하여 1부터 4까지 원하는 아날로그 오디오 채널을 선택하세요.

## Blackmagic Converters Setup 설정

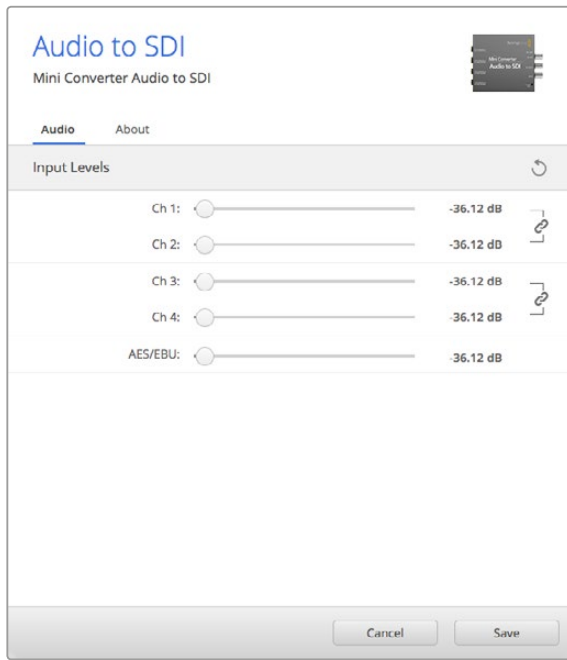
Blackmagic Converters Setup 유틸리티를 통해 설정을 변경하고 Mini Converter 소프트웨어를 업데이트할 수 있습니다. 이러한 설정은 [Audio] 탭과 [About] 탭에서 수행할 수 있습니다.

[About] 탭에 관한 자세한 내용은 본 설명서의 [설정 변경하기] 부분을 참고하세요.

Mini Converter Audio to SDI의 [Audio] 탭에서는 다음과 같은 설정 사항을 제공합니다.

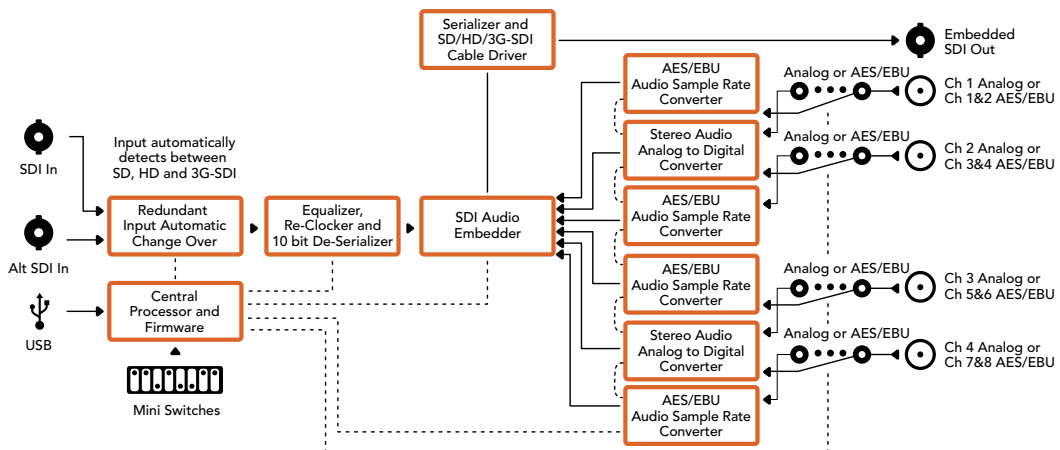
### 입력 레벨(Input Levels) 메뉴

이 메뉴에서 오디오 입력의 게인 레벨을 조절할 수 있습니다. 각 채널의 오디오 레벨을 독립적으로 조절하거나 슬라이더 옆에 있는 연결 아이콘을 클릭하여 한 쌍의 채널을 함께 제어할 수 있습니다. 모든 오디오 레벨을 0 dB로 초기화하려면 Output Levels 메뉴란의 리셋 버튼을 클릭합니다.



Blackmagic Converters Setup의 [About] 탭에서 아날로그 오디오 레벨을 조절하세요.

### Mini Converter Audio to SDI 블록 선도



## Mini Converter Audio to SDI 4K

Mini Converter Audio to SDI 4K 모델은 4개의 아날로그 오디오 채널 또는 8개의 AES/EBU 디지털 오디오 채널을 모든 SDI 비디오 연결에 임베드할 수 있습니다. 오디오 믹서와 아날로그 데크 같은 장비의 오디오를 SDI 라우터 및 데크의 SDI 비디오 연결에 임베드하여 사용할 수 있습니다. Mini Converter Audio to SDI 4K를 다른 컨버터의 SDI 출력에 데이지 체이닝 방식으로 연결하면 SDI 오디오 채널을 추가로 임베드할 수 있습니다.



## 커넥터

- 1 CH 1 아날로그 또는 CH 1 & 2 AES/EBU**  
 균형 아날로그 오디오 채널 1 또는 AES/EBU 디지털 오디오 채널 1과 2 입력 (1/4인치 잭 커넥터).
- 2 CH 2 아날로그 또는 CH 3 & 4 AES/EBU**  
 균형 아날로그 오디오 채널 2 또는 AES/EBU 디지털 오디오 채널 3과 4 입력 (1/4인치 잭 커넥터).
- 3 CH 3 아날로그 또는 CH 5 & 6 AES/EBU**  
 균형 아날로그 오디오 채널 3 또는 AES/EBU 디지털 오디오 채널 5과 6 입력 (1/4인치 잭 커넥터).
- 4 CH 4 아날로그 또는 CH 7 & 8 AES/EBU**  
 균형 아날로그 오디오 채널 4 또는 AES/EBU 디지털 오디오 채널 7과 8 입력 (1/4인치 잭 커넥터).
- 5 미니-B USB 포트**  
 Mac OS X/Windows 컴퓨터의 Blackmagic Converters Setup 소프트웨어에 연결해 Micro Converter의 내부 소프트웨어를 업데이트할 수 있습니다. Mini Converter의 내부 소프트웨어 또한 USB 포트를 통해 업데이트됩니다.
- 6 SDI OUT**  
 루프스루 SDI 비디오 출력.
- 7 ALT SDI IN**  
 백업 옵션으로 사용할 수 있는 리던던트 SDI 입력입니다. SDI 입력과 대체 SDI 입력을 동시에 사용할 경우, SDI 입력 신호가 끊어지면 신호가 대체 SDI 입력으로 전환됩니다. SDI LOCK LED가 깜빡이며 컨버터가 대체 SDI 입력으로 전환되었음을 나타냅니다.
- 8 SDI IN**  
 주요 SDI 입력.
- 9 POWER +12V**  
 12V 전원 공급 입력.



## 스위치

Mini Converter Audio to SDI 4K의 스위치는 다음과 같은 설정 사항을 제공합니다.

### 스위치 8 - Analog Audio, AES/EBU Audio

스위치 8을 OFF로 설정하면 균형 아날로그 오디오가 선택되고, ON으로 설정하면 디지털 AES/EBU 오디오 입력이 선택됩니다.

### 스위치 7 - Sample Rate Conversion, No Sample Rate Conversion

스위치 7을 OFF로 설정하면 샘플 속도 변환 기능이 활성화되고, ON으로 설정하면 비활성화됩니다. 대부분의 경우에는 스위치 7을 OFF로 설정하여 오디오가 TV 표준에 맞는 샘플 속도로 정확히 임베드될 수 있도록 합니다.

스위치 7을 OFF로 설정하면 아날로그 또는 AES/EBU 오디오의 샘플 속도가 변환되며, SDI 출력에 오디오가 48 kHz 샘플 속도로 임베드됩니다. 스위치 7을 ON으로 설정하면 샘플 속도 변환 기능은 비활성화되고 오디오는 사용하는 입력 오디오의 기본 샘플 속도로 출력됩니다.

### 스위치 6 - Audio Group Bit 1

스위치 6과 스위치 5를 네 가지의 ON/OFF 조합으로 설정하여 사용할 수 있습니다. 네 가지의 다양한 조합으로 최대 4개의 아날로그 오디오 채널 또는 8개의 AES/EBU 오디오 채널을 SDI 출력에 임베드할 수 있습니다.

### 스위치 5 - Audio Group Bit 0

스위치 6의 설명을 참조하세요.

## 오디오 선택 설정표

아날로그 오디오 채널	스위치 6	스위치 5	스위치 다이어그램
1~4	OFF	OFF	ON OFF 
5~8	OFF	ON	ON OFF 
9~12	ON	OFF	ON OFF 
13~16	ON	ON	ON OFF 
AES/EBU 채널	스위치 6	스위치 5	스위치 다이어그램
1~8	OFF	OFF	ON OFF 
9~16	OFF	ON	ON OFF 

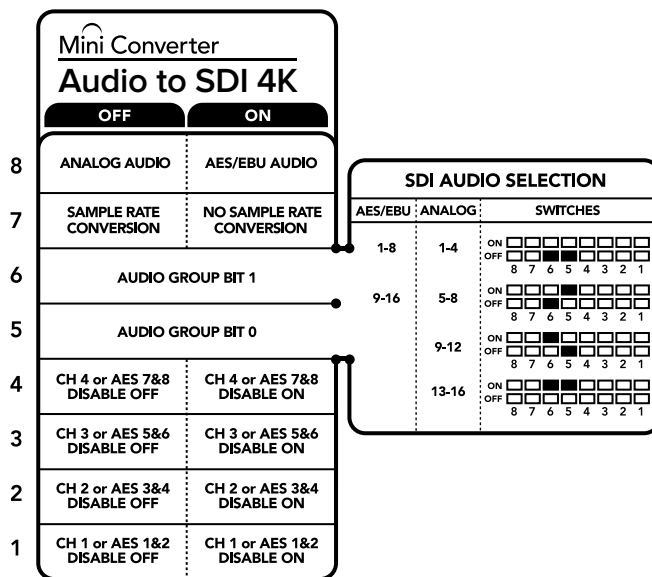
## 임베드하기 또는 채널 비활성화하기

오디오 채널을 선택한 뒤, 스위치 4와 3, 2, 1을 사용하여 오디오를 임베드 또는 비활성화하려는 채널을 선택하세요. 비활성화 설정을 통해 SDI 신호에 유지하려는 오디오 채널을 덮어쓰는 현상을 방지할 수 있습니다.

예를 들어, 스위치 1을 ON으로 설정하면 아날로그 오디오 채널 1 또는 AES/EBU 채널 1과 채널 2를 비활성화할 수 있습니다. 다른 방법으로 스위치 1을 OFF로 설정하면 오디오 채널을 임베드할 수 있습니다.

## 오디오 채널 디임베드 또는 설정 비활성화하기

스위치	설정	오디오 채널
4	ON	아날로그 채널 4, AES/EBU 채널7과 8 비활성화
	OFF	아날로그 채널 4, AES/EBU 채널7과 8 활성화
3	ON	아날로그 채널 3, AES/EBU 채널5와 6 비활성화
	OFF	아날로그 채널 3, AES/EBU 채널5과 6 활성화
2	ON	아날로그 채널 2, AES/EBU 채널3과 4 비활성화
	OFF	아날로그 채널 2, AES/EBU 채널3과 4 임베드
1	ON	아날로그 채널 1, AES/EBU 채널1과 2 비활성화
	OFF	아날로그 채널 1, AES/EBU 채널 1과 2 임베드



컨버터 아래에 있는 스위치 범례에서 컨버전 설정 변경에 필요한 모든 정보를 얻을 수 있습니다.

## 스위치 설정 예시

스위치로 여러 가지 설정을 시도해보세요. 스위치 8과 6, 5를 OFF로 설정하여 1부터 4까지 원하는 아날로그 오디오 채널을 선택하세요.

## Blackmagic Converters Setup 설정

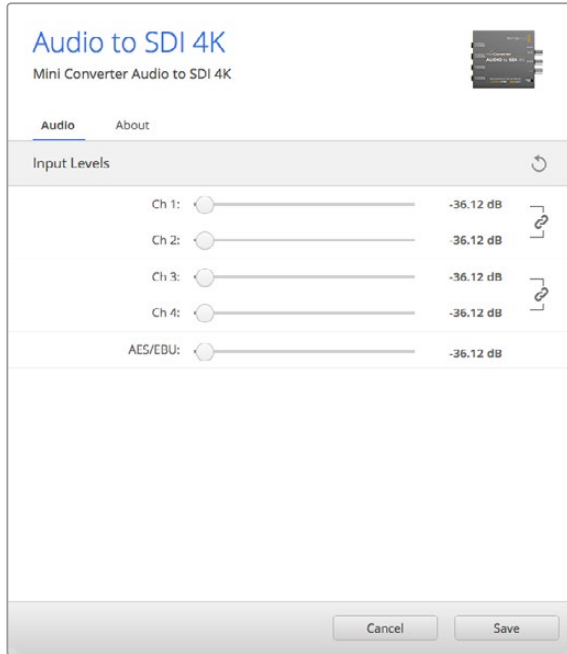
Blackmagic Converters Setup 유틸리티를 통해 설정을 변경하고 Micro Converter의 소프트웨어를 업데이트할 수 있습니다. 이러한 설정은 [Audio] 탭과 [About] 탭에서 수행할 수 있습니다.

[About] 탭에 관한 자세한 내용은 본 설명서의 [설정 변경하기] 부분을 참고하세요.

Mini Converter Audio to SDI 4K를 위한 [Audio] 탭에서는 다음과 같은 사항을 설정할 수 있습니다.

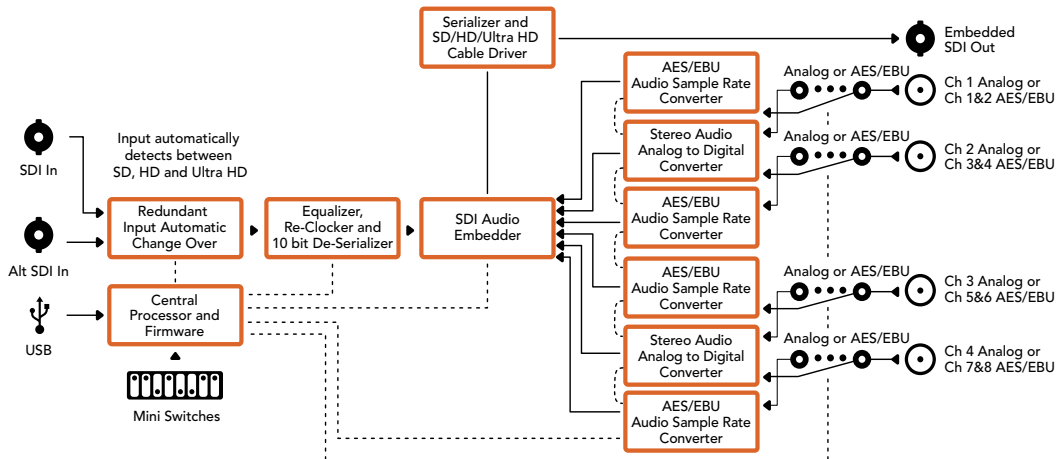
### 입력 레벨(Input Levels) 메뉴

이 메뉴에서 오디오 입력의 게인 레벨을 조절할 수 있습니다. 각 채널의 오디오 레벨을 독립적으로 조절하거나 슬라이더 옆에 있는 연결 아이콘을 클릭하여 한 쌍의 채널을 함께 제어할 수 있습니다. 모든 오디오 레벨을 0 dB로 초기화하려면 Output Levels 메뉴란의 리셋 버튼을 클릭합니다.



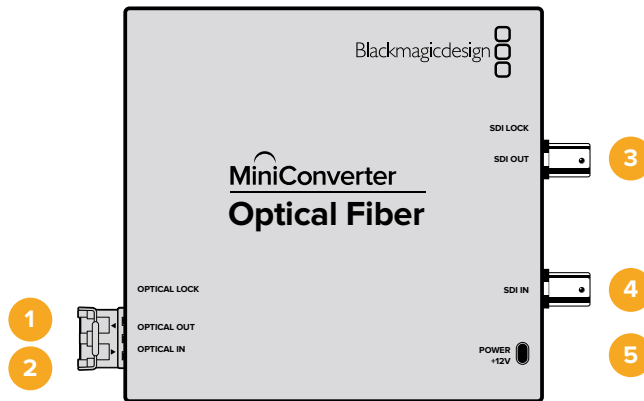
Blackmagic Converters Setup의 [About] 탭에서 아날로그 오디오 레벨을 조절하세요.

### Mini Converter Audio to SDI 4K 블록 선도



## Mini Converter Optical Fiber

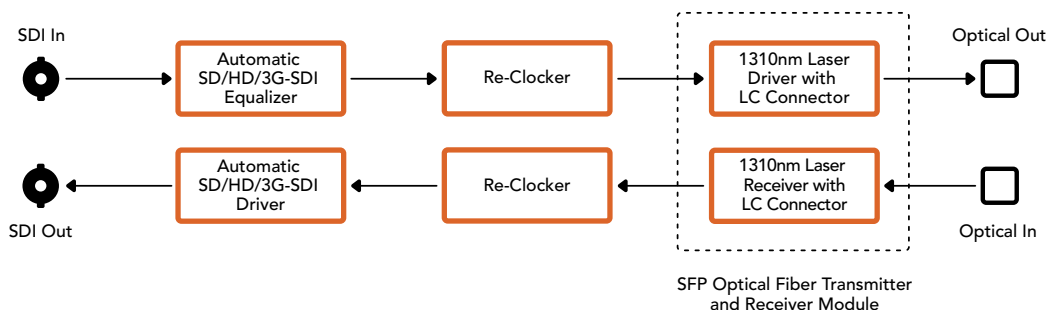
Mini Converter Optical Fiber 모델은 SDI를 광섬유로, 광섬유를 SDI로 동시에 변환할 수 있습니다. Mini Converter Optical Fiber는 SD/HD/3G-SDI 비디오 표준으로 자동 전환하며, 양방향으로 완전히 독립적으로 운용할 수도 있습니다. 일반 SDI 케이블을 사용할 수 없을 만큼 멀리 떨어진 곳에서 SDI 신호를 전송 및 수신하려는 경우에는 이 모델을 사용하세요. 일반 구리 SDI 케이블로는 SDI 비디오를 300피트까지 전송할 수 있는 것에 비해 광섬유는 최대 45km 또는 147,000피트까지 전송할 수 있습니다. 3G-SDI는 최대 25km까지 전송할 수 있습니다!



## 커넥터

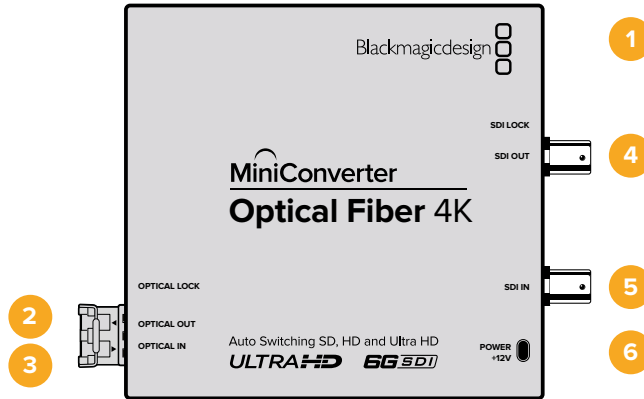
- 1 Optical Out**  
광섬유 출력은 LC 커넥터가 연결된 싱글 모드 광섬유 케이블을 지원합니다.
- 2 Optical In**  
광섬유 입력은 LC 커넥터가 연결된 싱글 모드 광섬유 케이블을 지원합니다.
- 3 3G-SDI Out**  
일반 SDI 장비에 연결하기 위한 SDI 비디오 출력(BNC 커넥터)입니다.
- 4 3G-SDI In**  
일반 SDI 장비에 연결하기 위한 SDI 비디오 입력(BNC 커넥터)입니다.
- 5 전원 +12V**  
12V 전원 공급 입력.

## Mini Converter Optical Fiber 블록 선도



## Mini Converter Optical Fiber 4K

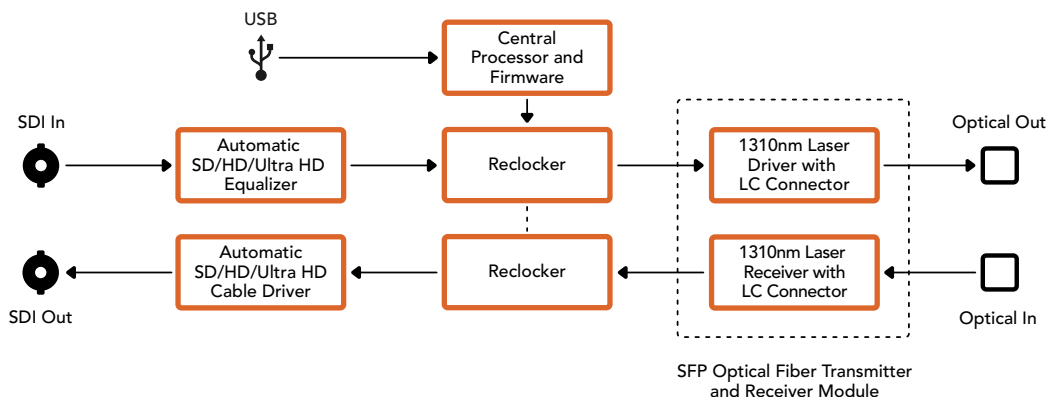
SD/HD와 싱글 링크 6G-SDI를 광섬유로 그리고 광섬유를 SD/HD와 싱글 링크 6G-SDI로 동시에 변환할 수 있습니다. Mini Converter Optical Fiber 4K는 SD/HD/3G/6G-SDI 비디오 표준으로 자동 전환하며, 양방향을 완전히 독립적으로 운용할 수도 있습니다. 일반 SDI 케이블을 사용할 수 없을 만큼 멀리 떨어진 곳에서 SDI 신호를 전송 및 수신하려는 경우에는 이 모델을 사용하세요. 일반 구리 SDI 케이블로는 SDI 비디오를 300피트까지 전송할 수 있는 것에 비해 광섬유는 최대 45km 또는 147,000피트까지 전송할 수 있습니다. 6G-SDI는 최대 12km까지 전송할 수 있습니다.



## 커넥터

- 1 **미니-B USB 포트**  
Mini Converter의 내부 소프트웨어는 USB 포트를 통해 업데이트됩니다.
- 2 **Optical Out**  
광섬유 출력은 LC 커넥터가 연결된 싱글 모드 광섬유 케이블을 지원합니다.
- 3 **Optical In**  
광섬유 입력은 LC 커넥터가 연결된 싱글 모드 광섬유 케이블을 지원합니다.
- 4 **SDI Out**  
일반 SDI 장비에 연결하기 위한 SDI 비디오 출력(BNC 커넥터)입니다.
- 5 **SDI In**  
일반 SDI 장비에 연결하기 위한 SDI 비디오 입력(BNC 커넥터)입니다.
- 6 **Power +12V**  
12V 전원 공급 입력.

## Mini Converter Optical Fiber 4K 블록 선도



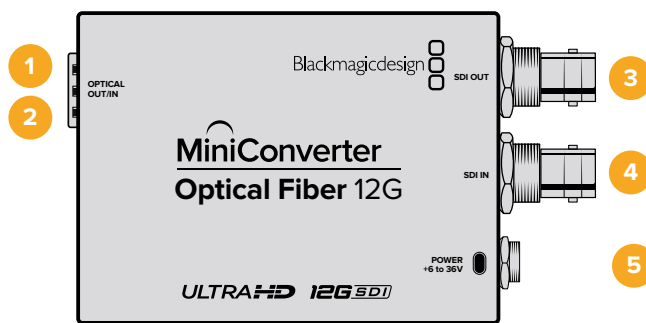
## Mini Converter Optical Fiber 12G

이 컨버터는 SD 및 HD 비디오를 최대 12G-SDI의 광섬유로 변환할 수 있으며, 동시에 반대 방향의 전환까지 지원합니다.

SFP 유형의 광섬유 모듈을 위한 소켓에 3G, 6G, 12G-SDI 비디오를 지원하는 호환 SFP 광섬유 모듈을 설치할 수 있습니다.

컨버터에서 자동으로 비디오 입력을 감지한 뒤 해당 입력에 맞는 출력 포맷을 설정합니다. 양방향 전환은 완전히 독립적으로 진행됩니다.

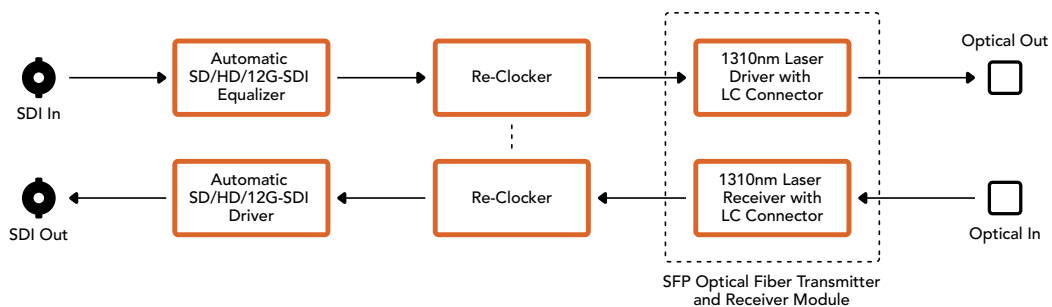
이 컨버터는 일반 SDI 케이블을 사용할 수 없을 만큼 멀리 떨어진 곳에서 SDI 신호를 전송 및 수신하려는 경우에 사용하기 적합합니다. 예를 들어, 일반 구리 SDI 케이블로는 SDI 비디오를 300피트까지 전송할 수 있는 것에 비해 광섬유는 최대 45km 또는 147,000피트까지 전송할 수 있습니다. 12G-SDI는 최대 6km까지 전송할 수 있습니다!



## 커넥터

- 1 OPTICAL OUT**  
광섬유 출력은 LC 커넥터가 연결된 싱글 모드 광섬유 케이블을 지원합니다.
- 2 OPTICAL IN**  
광섬유 입력은 LC 커넥터가 연결된 싱글 모드 광섬유 케이블을 지원합니다.
- 3 SDI OUT**  
SDI 장비에 연결하기 위한 SDI 비디오 출력(BNC 커넥터)입니다.
- 4 SDI IN**  
SDI 장비에 연결하기 위한 SDI 비디오 입력(BNC 커넥터)입니다.
- 5 POWER +6 TO 36V**  
6V-36V 전원 공급 입력. 지지 나사를 제품 전원 커넥터에 연결해 실수로 전원이 분리되는 일을 방지할 수 있습니다.

## Mini Converter Optical Fiber 12G Block Diagram

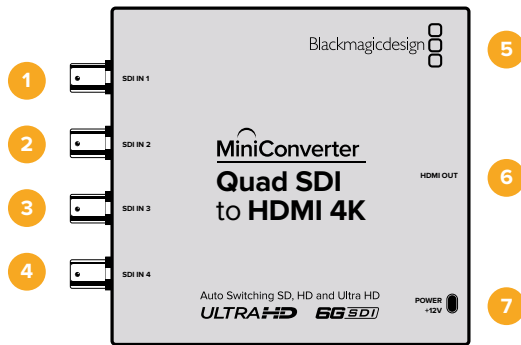


## Mini Converter Quad SDI to HDMI 4K

Mini Converter Quad SDI to HDMI 4K 모델은 1개의 HDMI 케이블로 싱글 링크와 듀얼 링크, 쿼드 링크 SDI Ultra HD를 최신 HDMI 프로젝터 및 Ultra HD TV에 연결할 수 있습니다. 아래 입력을 HDMI로 변환할 수도 있습니다:

- SD SDI.
- HD-SDI.
- 싱글 링크 3G-SDI
- 싱글 링크 6G-SDI
- 듀얼 링크 HD-SDI
- 듀얼 링크 3G-SDI Ultra HD.
- 쿼드 링크 HD-SDI Ultra HD.

HDMI 출력에서 HD 모니터 또는 HDTV를 감지하면 출력 신호가 자동으로 다운 컨버팅됩니다. 실행 가능한 듀얼 링크 신호는 입력 1과 입력 2에만 사용됩니다.



## 커넥터

지원 포맷은 각각의 SDI 입력 아래에 나열되어 있습니다.

- 1 SDI 입력 1**
  - SD/HD-SDI
  - 싱글 링크 3G-SDI
  - 싱글 링크 6G-SDI
  - 듀얼 링크 HD-SDI 채널 A
  - 듀얼 링크 3G-SDI Ultra HD 채널 A
  - 쿼드 링크 HD-SDI Ultra HD 채널 A
- 2 SDI 입력 2**
  - 듀얼 링크 HD-SDI 채널 B
  - 듀얼 링크 3G-SDI Ultra HD 채널 B
  - 쿼드 링크 HD-SDI Ultra HD 채널 B
- 3 SDI 입력 3**
  - 쿼드 링크 HD-SDI Ultra HD 채널 C
- 4 SDI 입력 4**
  - 쿼드 링크 HD-SDI Ultra HD 채널 D

### 5 미니 B USB 포트

USB 연결을 통해 Mac OS X/Windows 컴퓨터의 Blackmagic Converters Setup 소프트웨어에 접속할 수 있습니다. Mini Converter의 내부 소프트웨어 또한 USB 포트를 통해 업데이트됩니다.

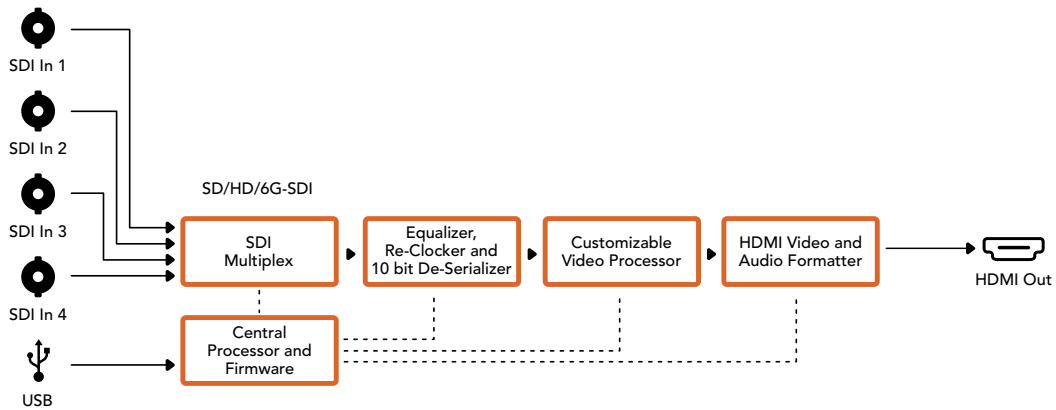
### 6 HDMI

HDMI 타입 A 비디오 출력.

### 7 Power +12V

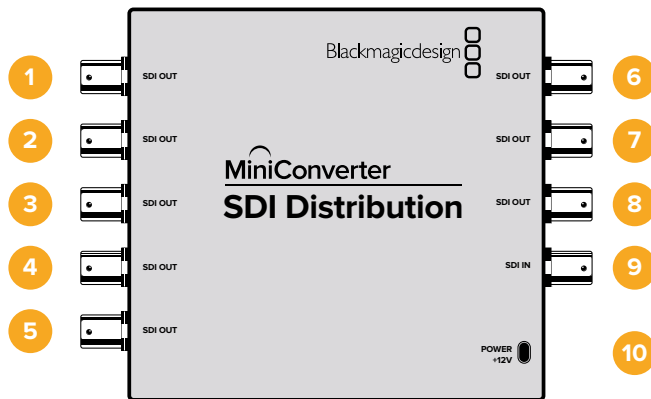
12V 전원 공급 입력.

## Mini Converter Quad SDI to HDMI 4K 블록 선도



## Mini Converter SDI Distribution

Mini Converter SDI Distribution 모델은 SDI 신호를 데크와 모니터 월, 스위처 같은 8개의 SDI 장비에 동시 출력할 수 있습니다. 비디오 입력이 SD-SDI와 HD-SDI, 3G-SDI 비디오 포맷으로 변경될 때마다 Mini Converter SDI Distribution은 자동으로 8개의 리클러킹 지원 출력을 변경 신호에 맞게 전환하며 ASI와 보조 데이터, 임베디드 오디오 포맷이 함께 지원됩니다.



## 커넥터

### 1-8 SDI OUT

SDI 비디오 출력(BNC 커넥터).

### 9 SDI In

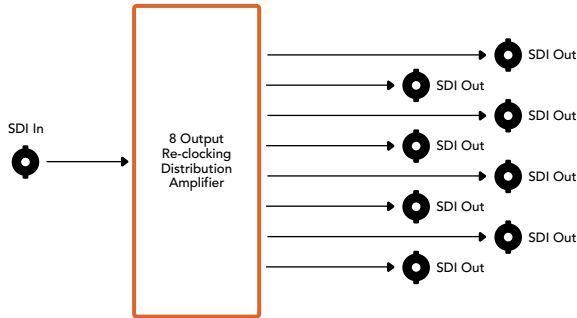
SDI 입력.

### 10 Power +12V

12V 전원 공급 입력.

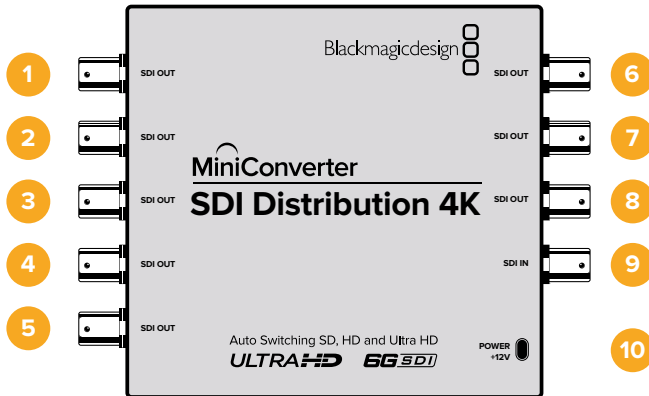


## Mini Converter SDI Distribution 블록 다이어그램



## Mini Converter SDI Distribution 4K

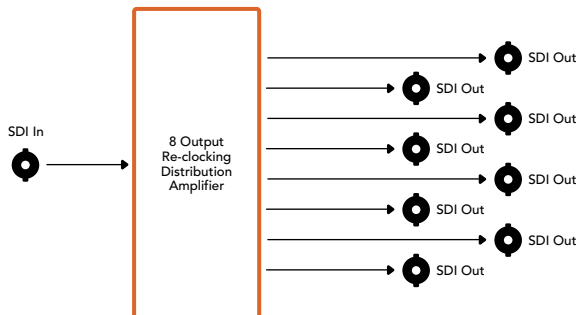
Mini Converter SDI Distribution 4K 모델은 SDI 신호를 데스크와 모니터 월, 스위처 같은 8개의 SDI 장비에 동시 출력합니다. 비디오 입력이 SD/HD/3G/6G-SDI 비디오 포맷으로 변경될 때마다 Mini Converter SDI Distribution 4K는 자동으로 8개의 리클러킹 지원 출력을 변경 신호에 맞게 전환하며 ASI와 보조 데이터, 임베디드 오디오 포맷이 함께 지원됩니다.



## 커넥터

- 1-8 SDI OUT**  
SDI 비디오 출력(BNC 커넥터).
- 9 SDI In**  
SDI 입력.
- 10 Power +12V**  
12V 전원 공급 입력.

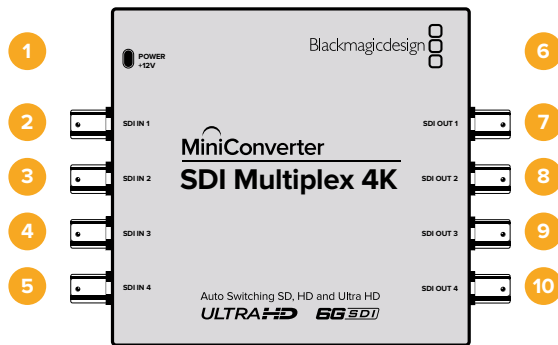
## Mini Converter SDI Distribution 4K 블록 선도



## Mini Converter SDI Multiplex 4K

Mini Converter SDI Multiplex 4K는 다음과 같은 컨버전을 수행합니다.

- SD/HD/6G-SDI 신호를 4개의 출력으로 모두 분배합니다.
- 듀얼 링크 HD-SDI 신호를 4개의 3G-SDI 출력으로 모두 분배합니다.
- 싱글 링크 3G-SDI를 듀얼 링크 HD-SDI에 분배합니다. 듀얼 링크 출력은 한 쌍의 출력으로 분배됩니다.
- 싱글 링크 6G-SDI를 듀얼 링크 3G-SDI 또는 쿼드 링크 1.5G SDI로 분배합니다.
- 쿼드 링크 HD-SDI Ultra HD를 싱글 링크 6G-SDI 또는 듀얼 링크 3G-SDI Ultra HD 로 분배할 수 있으므로 기존에 사용하던 Ultra HD 영상 소스를 듀얼 링크 Ultra HD 디스플레이에 연결할 수 있습니다. 듀얼 링크 출력은 한 쌍의 출력으로 분배됩니다.
- 듀얼 링크 3G-SDI를 싱글 링크 6G-SDI에 분배합니다.
- 듀얼 링크 3G-SDI Ultra HD를 쿼드 링크 HD-SDI로 분배하므로 최신 듀얼 링크 Ultra HD 영상 소스를 기존에 사용하던 쿼드 링크 Ultra HD 디스플레이에 연결할 수 있습니다.



## 커넥터

### 1 Power +12V

- 12V 전원 공급 입력.
- 각각의 SDI 입력을 위한 지원 포맷은 아래와 같습니다.

### 2 SDI 입력 1

- SD/HD-SDI
- 싱글 링크 3G-SDI
- 싱글 링크 6G-SDI
- 듀얼 링크 HD-SDI 채널 A
- 듀얼 링크 3G-SDI Ultra HD 채널 A
- 쿼드 링크 HD-SDI Ultra HD 채널 A

### 3 SDI 입력 2

- 듀얼 링크 HD-SDI 채널 B
- 듀얼 링크 3G-SDI Ultra HD 채널 B
- 쿼드 링크 HD-SDI Ultra HD 채널 B

### 4 SDI 입력 3

- 쿼드 링크 HD-SDI Ultra HD 채널 C

### 5 SDI 입력 4

- 쿼드 링크 HD-SDI Ultra HD 채널 D

## 6 미니-B USB 포트

Mac OS X/Windows 컴퓨터의 Blackmagic Converters Setup 소프트웨어에 연결해 Micro Converter의 내부 소프트웨어를 업데이트할 수 있습니다. Mini Converter의 내부 소프트웨어 또한 USB 포트를 통해 업데이트됩니다.

지원 포맷은 각각의 SDI 출력 아래에 나열되어 있습니다.

## 7 SDI 출력 1

- SD/HD-SDI
- 싱글 링크 3G-SDI
- 싱글 링크 6G-SDI
- 듀얼 링크 HD-SDI 채널 A
- 듀얼 링크 3G-SDI Ultra HD 채널 A
- 쿼드 링크 HD-SDI Ultra HD 채널 A

## 8 SDI 출력 2

- SD/HD-SDI
- 싱글 링크 3G-SDI
- 싱글 링크 6G-SDI
- 듀얼 링크 HD-SDI 채널 B
- 듀얼 링크 3G-SDI Ultra HD 채널 B
- 쿼드 링크 HD-SDI Ultra HD 채널 B

## 9 SDI 출력 3

- SD/HD-SDI
- 싱글 링크 3G-SDI
- 싱글 링크 6G-SDI
- 듀얼 링크 HD-SDI 채널 A
- 듀얼 링크 3G-SDI Ultra HD 채널 A
- 쿼드 링크 HD-SDI Ultra HD 채널 C

## 10 SDI 출력 4

- SD/HD-SDI
- 싱글 링크 3G-SDI
- 싱글 링크 6G-SDI
- 듀얼 링크 HD-SDI 채널 B
- 듀얼 링크 3G-SDI Ultra HD 채널 B
- 쿼드 링크 HD-SDI Ultra HD 채널 D

## 스위치

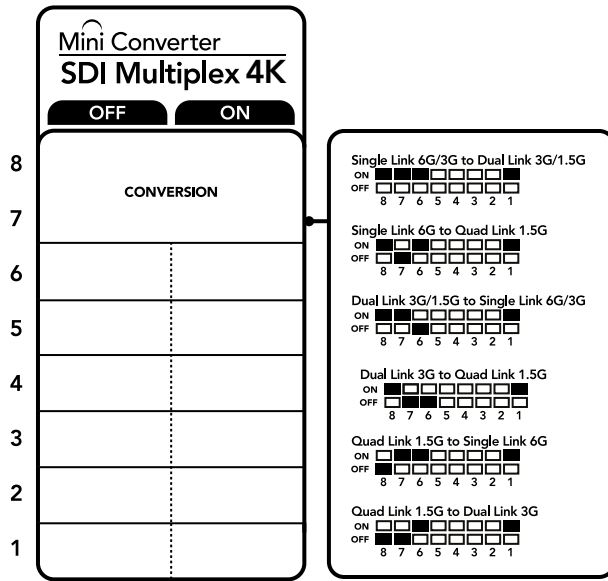
Mini Converter SDI Multiplex 4K의 스위치는 다음과 같은 설정 사항을 제공합니다.

### 스위치 8과 7, 6 - 포맷 변환

스위치 8과 7, 6을 다양하게 조합하여 듀얼 링크 HD-SDI를 싱글 링크 HD-SDI로 또는 쿼드 링크 Ultra HD를 싱글 링크 Ultra HD로 다양하게 변환할 수 있습니다.

### 스위치 1 - 프로세싱 ON/OFF

스위치 1을 OFF로 설정하면 Mini Converter SDI Multiplex 4K에 있는 4개의 출력을 SD/HD/6G-SDI 분배 증폭기로 사용할 수 있습니다.



컨버전 설정 변경에 필요한 모든 정보는 컨버터 바닥면에 있는 스위치 범례에서 확인할 수 있습니다.

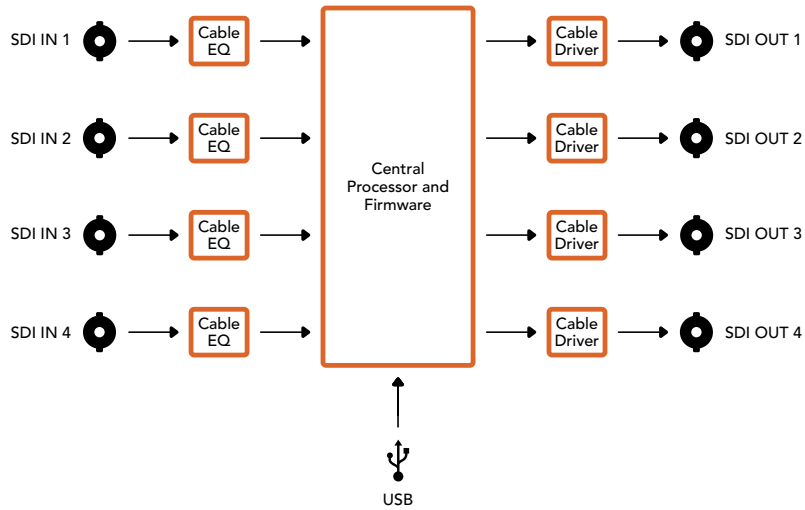
### 스위치 설정 예시

스위치 8을 ON으로 그리고 스위치 7을 OFF로 설정하여 쿼드 링크 Ultra HD를 듀얼 링크 Ultra HD로 변환합니다.

### SDI 연결표

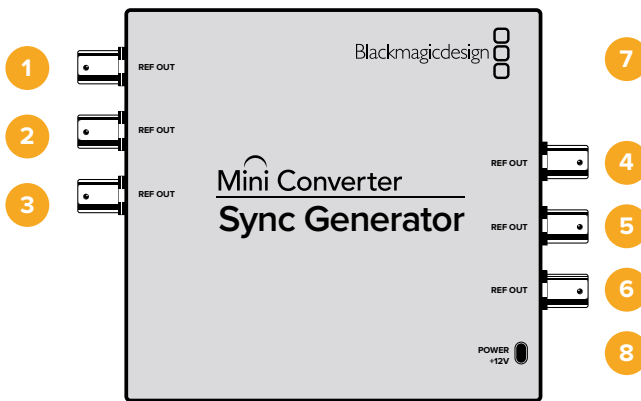
컨버전	스위치 8	스위치 7	스위치 6	스위치 1	스위치 다이어그램
싱글 링크 6G/3G-SDI를 듀얼 링크 3G/1.5G-SDI로 변환	ON	ON	ON	ON	ON <input checked="" type="checkbox"/> <input checked="" type="checkbox"/> <input checked="" type="checkbox"/> <input checked="" type="checkbox"/> <input checked="" type="checkbox"/> <input checked="" type="checkbox"/> <input checked="" type="checkbox"/> <input checked="" type="checkbox"/> OFF <input type="checkbox"/> <input type="checkbox"/> <input type="checkbox"/> <input type="checkbox"/> <input type="checkbox"/> <input type="checkbox"/> <input type="checkbox"/> <input type="checkbox"/>
싱글 링크 6G-SDI를 쿼드 링크 1.5G-SDI로 변환	ON	OFF	ON	ON	ON <input checked="" type="checkbox"/> <input checked="" type="checkbox"/> <input checked="" type="checkbox"/> <input checked="" type="checkbox"/> <input checked="" type="checkbox"/> <input checked="" type="checkbox"/> <input checked="" type="checkbox"/> <input checked="" type="checkbox"/> OFF <input type="checkbox"/> <input type="checkbox"/> <input type="checkbox"/> <input type="checkbox"/> <input type="checkbox"/> <input type="checkbox"/> <input type="checkbox"/> <input type="checkbox"/>
듀얼 링크 3G/1.5G-SDI를 싱글 링크 6G/3G-SDI로 변환	ON	ON	OFF	ON	ON <input checked="" type="checkbox"/> <input checked="" type="checkbox"/> <input type="checkbox"/> <input type="checkbox"/> <input type="checkbox"/> <input type="checkbox"/> <input type="checkbox"/> <input type="checkbox"/> OFF <input type="checkbox"/> <input type="checkbox"/> <input checked="" type="checkbox"/> <input checked="" type="checkbox"/> <input checked="" type="checkbox"/> <input checked="" type="checkbox"/> <input checked="" type="checkbox"/> <input checked="" type="checkbox"/>
듀얼 링크 3G-SDI를 쿼드 링크 1.5G-SDI로 변환	ON	OFF	OFF	ON	ON <input checked="" type="checkbox"/> <input checked="" type="checkbox"/> <input type="checkbox"/> <input type="checkbox"/> <input type="checkbox"/> <input type="checkbox"/> <input type="checkbox"/> <input type="checkbox"/> OFF <input type="checkbox"/> <input type="checkbox"/> <input checked="" type="checkbox"/> <input checked="" type="checkbox"/> <input checked="" type="checkbox"/> <input checked="" type="checkbox"/> <input checked="" type="checkbox"/> <input checked="" type="checkbox"/>
쿼드 링크 1.5G-SDI를 싱글 링크 6G-SDI로 변환	OFF	ON	ON	ON	ON <input type="checkbox"/> <input type="checkbox"/> <input checked="" type="checkbox"/> <input checked="" type="checkbox"/> <input checked="" type="checkbox"/> <input checked="" type="checkbox"/> <input checked="" type="checkbox"/> <input checked="" type="checkbox"/> OFF <input checked="" type="checkbox"/> <input checked="" type="checkbox"/> <input type="checkbox"/> <input type="checkbox"/> <input type="checkbox"/> <input type="checkbox"/> <input type="checkbox"/> <input type="checkbox"/>
쿼드 링크 1.5G-SDI를 듀얼 링크 3G-SDI로 변환	OFF	OFF	ON	ON	ON <input type="checkbox"/> <input type="checkbox"/> <input checked="" type="checkbox"/> <input checked="" type="checkbox"/> <input checked="" type="checkbox"/> <input checked="" type="checkbox"/> <input checked="" type="checkbox"/> <input checked="" type="checkbox"/> OFF <input checked="" type="checkbox"/> <input checked="" type="checkbox"/> <input type="checkbox"/> <input type="checkbox"/> <input type="checkbox"/> <input type="checkbox"/> <input type="checkbox"/> <input type="checkbox"/>

## Mini Converter SDI Multiplex 4K 블록 선도



## Mini Converter Sync Generator

Mini Converter Sync Generator는 스튜디오 내 모든 장비를 동기화할 수 있는 6개의 수정 안정화 비디오 레퍼런스 출력을 지원합니다. Sync Generator 모델은 고품질의 Tri-sync 또는 표준 화질의 블랙버스트 신호를 제공하여 소규모 스튜디오 및 야와 방송 촬영에서 사용하기 완벽한 제품입니다.



## 커넥터

### 1-6 REF Out

레퍼런스 비디오 출력(BNC 커넥터).

### 7 미니-B USB 포트

Mac OS X/Windows 컴퓨터의 Blackmagic Converters Setup 소프트웨어에 연결해 Mini Converter의 내부 소프트웨어를 업데이트할 수 있습니다. Mini Converter의 내부 소프트웨어 또한 USB 포트를 통해 업데이트됩니다.

### 8 Power +12V

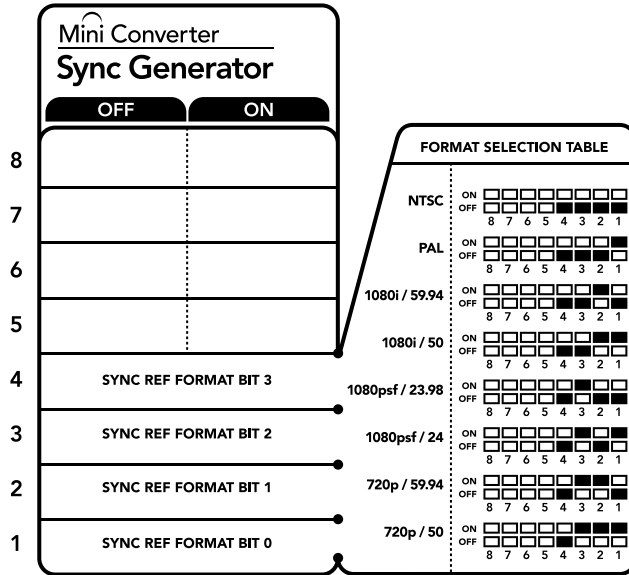
12V 전원 공급 입력.

## 스위치

Mini Converter Sync Generator 스위치는 다음과 같은 설정 사항을 제공합니다.

### 스위치 4, 3, 2, 1 - 동기 레퍼런스 포맷 비트 3, 2, 1, 0

스위치 4와 3, 2, 1을 함께 설정하여 다음과 같은 다양한 레퍼런스 비디오 포맷을 선택할 수 있습니다.



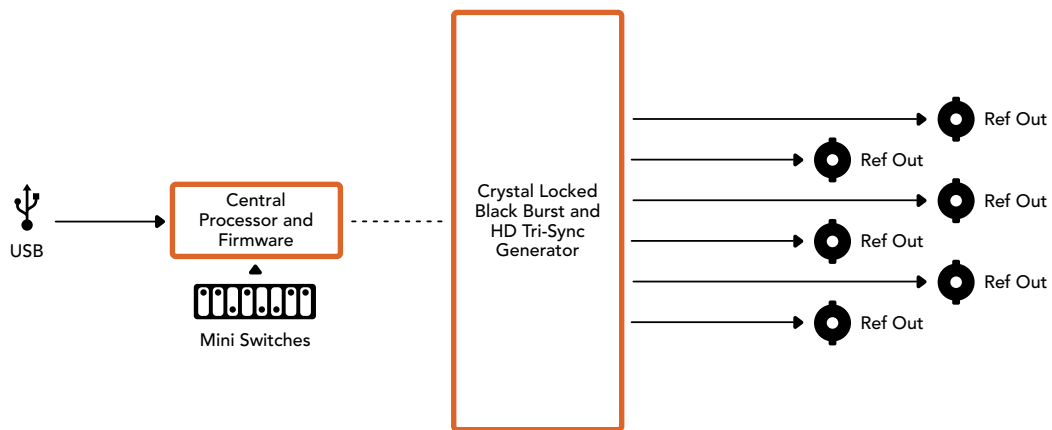
컨버전 설정 변경에 필요한 모든 정보는 컨버터 바닥면에 있는 스위치 범례에서 확인할 수 있습니다.

### 비디오 포맷 선택 설정표

비디오 포맷	스위치 4	스위치 3	스위치 2	스위치 1	스위치 다이어그램
NTSC	OFF	OFF	OFF	OFF	ON OFF <input type="checkbox"/> <input type="checkbox"/> <input type="checkbox"/> <input type="checkbox"/> <input type="checkbox"/> <input type="checkbox"/> <input type="checkbox"/> <input type="checkbox"/> 8 7 6 5 4 3 2 1
PAL	OFF	OFF	OFF	ON	ON OFF <input type="checkbox"/> <input type="checkbox"/> <input type="checkbox"/> <input type="checkbox"/> <input type="checkbox"/> <input type="checkbox"/> <input type="checkbox"/> <input type="checkbox"/> 8 7 6 5 4 3 2 1
720p50	OFF	ON	ON	ON	ON OFF <input type="checkbox"/> <input type="checkbox"/> <input type="checkbox"/> <input type="checkbox"/> <input type="checkbox"/> <input type="checkbox"/> <input type="checkbox"/> <input type="checkbox"/> 8 7 6 5 4 3 2 1
720p59.94	OFF	ON	ON	OFF	ON OFF <input type="checkbox"/> <input type="checkbox"/> <input type="checkbox"/> <input type="checkbox"/> <input type="checkbox"/> <input type="checkbox"/> <input type="checkbox"/> <input type="checkbox"/> 8 7 6 5 4 3 2 1
720p60	ON	ON	ON	OFF	ON OFF <input type="checkbox"/> <input type="checkbox"/> <input type="checkbox"/> <input type="checkbox"/> <input type="checkbox"/> <input type="checkbox"/> <input type="checkbox"/> <input type="checkbox"/> 8 7 6 5 4 3 2 1
1080i50	OFF	OFF	ON	ON	ON OFF <input type="checkbox"/> <input type="checkbox"/> <input type="checkbox"/> <input type="checkbox"/> <input type="checkbox"/> <input type="checkbox"/> <input type="checkbox"/> <input type="checkbox"/> 8 7 6 5 4 3 2 1
1080i59.94	OFF	OFF	ON	OFF	ON OFF <input type="checkbox"/> <input type="checkbox"/> <input type="checkbox"/> <input type="checkbox"/> <input type="checkbox"/> <input type="checkbox"/> <input type="checkbox"/> <input type="checkbox"/> 8 7 6 5 4 3 2 1
1080i60	ON	OFF	OFF	OFF	ON OFF <input type="checkbox"/> <input type="checkbox"/> <input type="checkbox"/> <input type="checkbox"/> <input type="checkbox"/> <input type="checkbox"/> <input type="checkbox"/> <input type="checkbox"/> 8 7 6 5 4 3 2 1

비디오 포맷	스위치 4	스위치 3	스위치 2	스위치 1	스위치 다이어그램
1080PsF23.98	OFF	ON	OFF	OFF	ON OFF 8 7 6 5 4 3 2 1
1080PsF24	OFF	ON	OFF	ON	ON OFF 8 7 6 5 4 3 2 1
1080p23.98	ON	ON	OFF	ON	ON OFF 8 7 6 5 4 3 2 1
1080p24	ON	ON	OFF	OFF	ON OFF 8 7 6 5 4 3 2 1
1080p25	ON	OFF	ON	ON	ON OFF 8 7 6 5 4 3 2 1
1080p29.97	ON	OFF	ON	OFF	ON OFF 8 7 6 5 4 3 2 1
1080p30	ON	OFF	OFF	ON	ON OFF 8 7 6 5 4 3 2 1

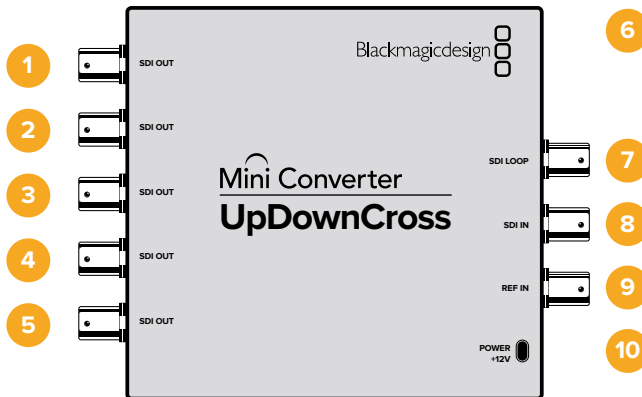
### Mini Converter Sync Generator 블록 선도



## Mini Converter UpDownCross

Mini Converter UpDownCross는 업/다운/크로스 컨버전 뿐만 아니라 NTSC/PAL 표준 변환과 포맷 변환 또한 수행할 수 있습니다. Mini Converter UpDownCross는 720p와 1080i 같은 비디오 포맷과 PAL/NTSC 비디오 표준을 변환할 수 있습니다. 4:3 필러박스과 16:9 줌 같은 종횡비와 함께 컨버전을 실행할 수 있으며, 레터박스 4:3과 아나모픽 16:9와 같은 다운 컨버전 옵션을 사용할 수도 있습니다.

컨버전 프로세싱을 OFF로 설정하면 Mini Converter를 SDI 분배 증폭기로 사용할 수 있습니다.



## 커넥터

### 1-5 SDI Out

SDI 비디오 출력(BNC 커넥터).

### 6 미니-B USB 포트

Mac OS X/Windows 컴퓨터의 Blackmagic Converters Setup 소프트웨어에 연결해 Mini Converter의 내부 소프트웨어를 업데이트할 수 있습니다. Mini Converter의 내부 소프트웨어 또한 USB 포트를 통해 업데이트됩니다.

### 7 SDI LOOP

사용하는 입력 비디오를 그대로 출력합니다.

### 8 SDI In

SDI 입력.

### 9 REF IN

레퍼런스 비디오 입력.

### 10 Power +12V

12V 전원 공급장치 입력.

## 스위치

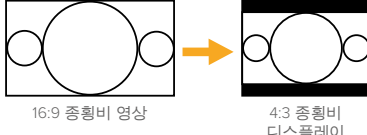
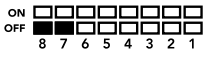
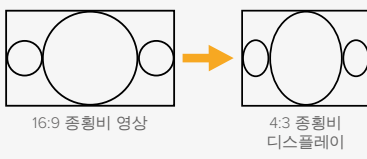

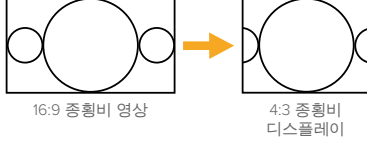
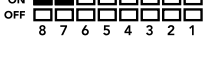
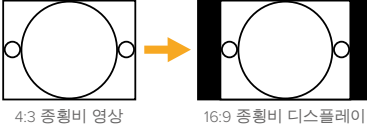

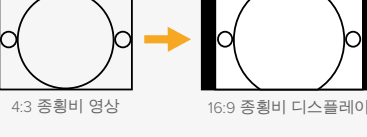
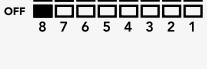
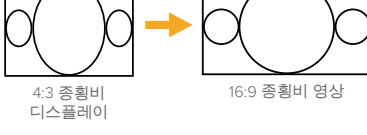
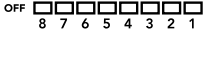
Mini Converter UpDownCross 스위치는 다음과 같이 설정할 수 있습니다.

### 스위치 8 - 종횡비 변환

스위치 8과 스위치 7을 여러 가지 조합으로 설정하여 다운 컨버팅을 위한 비디오 종횡비를 설정할 수 있습니다. 예를 들어, 스위치 8과 스위치 7을 OFF로 설정하면 다운 컨버팅 수행 시 레터박스 종횡비가 적용됩니다.



## 종횡비 변환표

다운 컨버전		스위치 8	스위치 7	스위치 다이어그램
레터박스 (Letterbox)	 <p>16:9 종횡비 영상 → 4:3 종횡비 디스플레이</p>	OFF	OFF	
애너모픽 (Anamorphic)	 <p>16:9 종횡비 영상 → 4:3 종횡비 디스플레이</p>	OFF	ON	
센터 컷 (Center Cut)	 <p>16:9 종횡비 영상 → 4:3 종횡비 디스플레이</p>	ON	ON	
업 컨버전		스위치 8	스위치 7	스위치 다이어그램
4:3 필러박스	 <p>4:3 종횡비 영상 → 16:9 종횡비 디스플레이</p>	OFF	OFF	
14:9 필러박스	 <p>4:3 종횡비 영상 → 16:9 종횡비 디스플레이</p>	OFF	ON	
16:9 디스퀴즈	 <p>4:3 종횡비 디스플레이 → 16:9 종횡비 영상</p>	ON	ON	

보시다시피 스위치 8과 스위치 7은 업 컨버전과 다운 컨버전에 모두 사용됩니다. 이는 종횡비 설정이 출력 설정에 의해 결정되기 때문입니다. 예를 들어, 스위치 3과 스위치 2를 1080i50 HD 출력으로 설정하고 프로세싱 스위치 1을 ON으로 설정한 경우, Mini Converter UpDownCross는 다운 컨버전에 맞게 스위치 8과 스위치 7을 자동으로 설정합니다.

각 종횡비 변환에 관한 설명은 다음과 같습니다.

### 업 컨버전

- **4:3 필러박스 (Pillarbox):** 이 설정은 HD 16:9 프레임 안에 SD 4:3 영상을 디스플레이합니다. 양옆에 검은 띠가 나타납니다.
- **14:9 필러박스 (Pillarbox):** 이 설정은 4:3 필러박스와 16:9 줌의 중간 설정 단계입니다. 16:9 프레임에 이미지가 더욱 많이 나타날 수 있도록 SD 4:3 영상을 약간 확대한 뒤, 화면 양옆에 위치한 검은 띠의 크기를 축소합니다. 화면 위/아래 부분이 약간 잘려나가게 됩니다.
- **16:9 디스퀴즈:** 이 설정은 SD 4:3 아나모픽 영상이 16:9 프레임에 완벽하게 맞을 때까지 화면을 확장합니다. 4:3 영상의 손실이 전혀 없습니다.

### 다운 컨버전

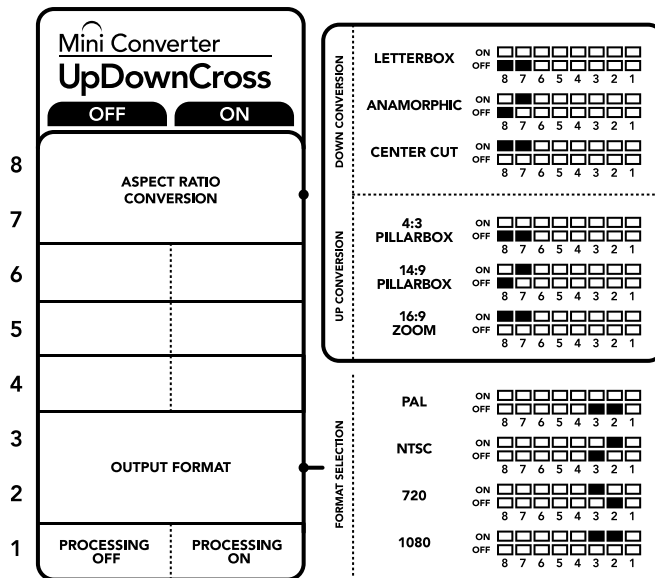
- **레터박스:** 이 설정은 영상을 축소하지 않고 검은 띠를 위/아래 삽입하여 전체 16:9 HD 영상을 4:3 SD 프레임 크기로 조절합니다.
- **애너모픽 (Anamorphic):** 16:9 HD 영상을 수평으로 축소하여 4:3 SD 프레임 크기로 조절합니다.
- **센터 컷 (Center Cut):** 이 설정은 16:9 HD 영상을 4:3 SD 프레임 크기로 자릅니다. 이 종횡비 설정은 16:9 영상 옆면의 일부가 제거됩니다.

### 스위치 1 - Processing Off - Processing On

스위치1을 OFF로 설정하면 모든 컨버전이 바이패스되어 6개의 SDI 장비에 비디오를 분배하는데 Mini Converter를 사용할 수 있습니다.

### 스위치 설정 예시

스위치 8과 스위치 7을 OFF로 설정하고 스위치 3과 2, 1을 ON으로 설정하면 4:3 625i50 비디오를 4:3 필러박스 종횡비와 함께 1080i50 영상으로 업 컨버팅하도록 설정할 수 있습니다.

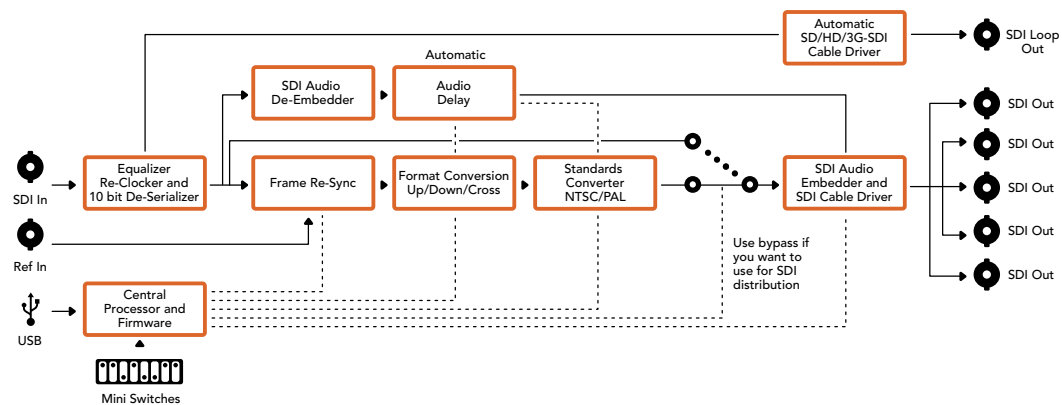


컨버전 설정 변경에 필요한 모든 정보는 컨버터 바닥면에 있는 스위치 범례에서 확인할 수 있습니다.

## Mini Converter UpDownCross 컨버전 설정표

입력 비디오	NTSC 스위치 1과 2 ON	PAL 스위치 1 ON	720p 스위치 1과 3 ON	1080 스위치 1과 2, 3 ON
525i59.94	525i59.94	625i50	720p59.94	1080i59.94
625i50	525i59.94	625i50	720p50	1080i50
720p50	525i59.94	625i50	720p50	1080i50
720p59.94	525i59.94	625i50	720p59.94	1080i59.94
720p60	525i59.94	625i50	720p60	1080i60
1080PsF23.98	525i59.94	625i50	720p59.94	1080PsF23.98
1080p23.98	525i59.94	625i50	720p59.94	1080p23.98
1080PsF24	525i59.94	625i50	720p50	1080PsF24
1080p24	525i59.94	625i50	720p50	1080p24
1080p25	525i59.94	625i50	720p50	1080p25
1080p29.97	525i59.94	625i50	720p59.94	1080p29.97
1080p30	525i59.94	625i50	720p60	1080p30
1080i50	525i59.94	625i50	720p50	1080i50
1080i59.94	525i59.94	625i50	720p59.94	1080i59.94
1080i60	525i59.94	625i50	720p60	1080i60
1080p50	525i59.94	625i50	720p50	1080p50
1080p59.94	525i59.94	625i50	720p59.94	1080p59.94
1080p60	525i59.94	625i50	720p60	1080p60
2048x1556PsF23.98	525i59.94	625i50	2048x1556PsF23.98	2048x1556PsF23.98
2048x1556PsF24	525i59.94	625i50	2048x1556PsF24	2048x1556PsF24
2048x1556PsF25	525i59.94	625i50	2048x1556PsF25	2048x1556PsF25

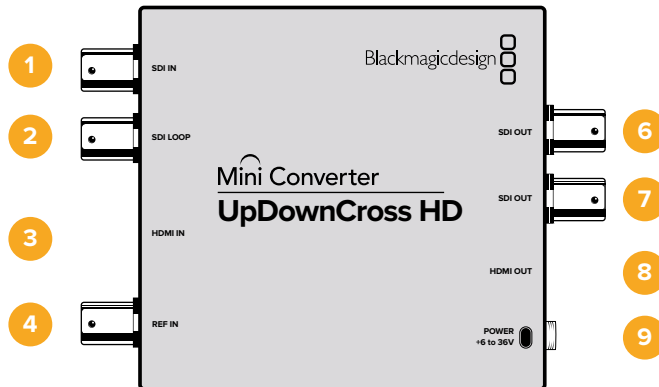
## Mini Converter UpDownCross 블록 선도



## Mini Converter UpDownCross HD

Mini Converter UpDownCross HD는 강력한 표준 컨버터로, SDI 및 HDMI를 통해 업/다운/크로스 컨버전을 지원하는 모든 SD 또는 HD 비디오 포맷을 변환합니다. 이 컨버터는 최대 1080p60의 모든 SD 및 HD 포맷뿐 아니라 업/다운 컨버전을 위한 중횡비를 지원하는 NTSC 및 PAL 포맷을 지원합니다. HDMI 입력은 1024 x 768, 800 x 600, and 640 x 480의 컴퓨터 출력 해상도 또한 지원합니다.

컨버전 프로세싱을 OFF로 설정하면, 입력 신호를 다른 HDMI 및 SDI 장비에 연결할 수 있도록 HDMI 및 SDI 출력 모두 루프 출력으로 지원됩니다.



## 커넥터

### 1 SDI IN

SDI 입력. 동기화된 SDI 신호가 감지될 경우, BNC 커넥터 옆에 있는 작은 LED에 불이 들어옵니다. SDI와 HDMI 입력이 모두 연결된 경우엔 SDI 입력이 우선시됩니다.

### 2 SDI LOOP

SDI 입력 비디오를 위한 다이렉트 루프 출력.

### 3 HDMI IN

HDMI 타입 A 비디오 입력. 사용 가능한 HDMI 입력이 감지될 경우, HDMI IN 커넥터 옆에 있는 작은 LED에 불이 들어옵니다.

### 4 REF IN

레퍼런스 비디오 입력. REF IN 커넥터 옆에 있는 작은 LED는 레퍼런스 잠금 상태를 나타냅니다.  
**흰색 유지** - REF IN이 컨버터에서 설정한 출력 비디오 포맷과 일치하는 경우에 해당됩니다.  
**흰색 깜빡임** - REF IN을 사용할 수 있지만 컨버터에서 설정된 출력 비디오 포맷과 일치하지 않는 경우에 해당됩니다.

### 5 USB-C 포트

Mac OS X/Windows 컴퓨터의 Blackmagic Converters Setup 소프트웨어에 연결할 수 있습니다. Mini Converter의 내부 소프트웨어 또한 USB 포트를 통해 업데이트됩니다.

### 6-7 SDI OUT

SDI 비디오 출력 BNC 커넥터.

### 8 HDMI OUT

HDMI 타입 A 비디오 출력.

### 9 POWER +6 to 36V

6V-36V 전원 공급 입력. 지지 나사를 제품 전원 커넥터에 연결해 실수로 전원이 분리되는 일을 방지할 수 있습니다. 전원이 연결되면 DC 입력 잭 옆에 있는 작은 LED에 불이 들어옵니다.

## 스위치

Mini Converter UpDownCross HD의 스위치는 다음과 같은 설정 사항을 제공합니다.

### 스위치 1 - Processing Off - Processing On

스위치1을 OFF로 설정하면 모든 컨버전이 바이패스되기 때문에 컨버터의 SDI 및 HDMI 출력을 통해 비디오를 분배할 수 있습니다.

스위치1을 OFF로 설정하면 SDI 및 HDMI 출력이 해당 입력에 매칭됩니다.

스위치1을 ON으로 설정하면 프로세싱이 활성화되며 스위치 4 ~ 스위치 8을 통해 컨버터 출력을 변경할 수 있습니다.

### 스위치 2 - Level A 및 Level B 3G-SDI

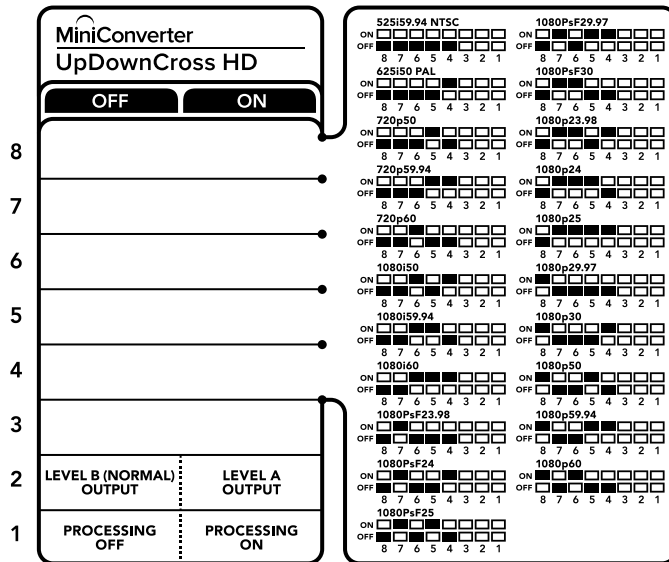
스위치 2를 OFF로 설정하면 컨버터에서 레벨 B 3G-SDI를 출력합니다. ON으로 설정하면 컨버터에서 레벨 A 3G-SDI를 출력합니다. 이를 통해 레벨 A 또는 레벨 B 3G-SDI를 사용하는 다른 SDI 장비와의 호환성을 확보할 수 있습니다.

**정보:** 3G-SDI 장비에 3G-SDI 신호를 연결했을 때 신호가 감지되지 않는 경우, 사용하는 장비에서 대체 SDI 레벨이 사용 중일 수 있으므로 스위치2의 설정을 변경해보세요.

### 스위치 4 - 8

스위치 4 ~ 스위치 8을 통해 컨버터의 출력 신호 포맷 및 표준이 결정됩니다. 각 포맷 및 표준을 위한 스위치 설정 정보는 제품 바닥 면에서 확인할 수 있습니다.

### 미니 스위치 설정 예시



## 비디오 포맷 선택 설정표

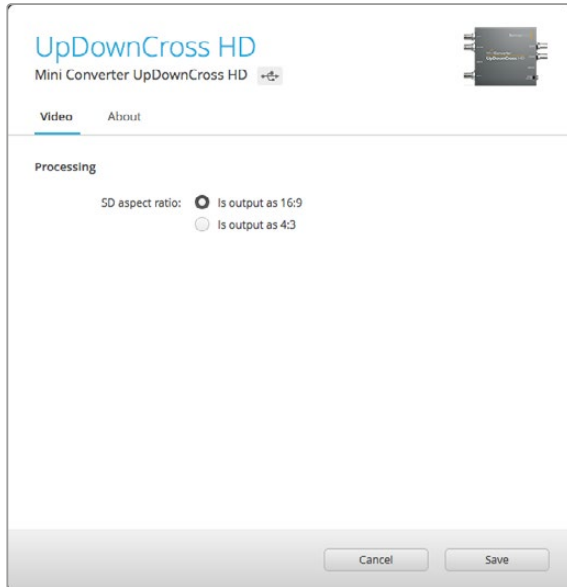
비디오 포맷	스위치 8	스위치 7	스위치 6	스위치 5	스위치 4	스위치 다이어그램
525i59.94 NTSC	OFF	OFF	OFF	OFF	OFF	ON <input type="checkbox"/> <input type="checkbox"/> <input type="checkbox"/> <input type="checkbox"/> <input type="checkbox"/> <input type="checkbox"/> <input type="checkbox"/> <input type="checkbox"/> OFF <input checked="" type="checkbox"/> <input checked="" type="checkbox"/> <input checked="" type="checkbox"/> <input checked="" type="checkbox"/> <input checked="" type="checkbox"/> <input checked="" type="checkbox"/> <input checked="" type="checkbox"/> <input checked="" type="checkbox"/> 8 7 6 5 4 3 2 1
625i50 PAL	OFF	OFF	OFF	OFF	ON	ON <input type="checkbox"/> <input type="checkbox"/> <input type="checkbox"/> <input type="checkbox"/> <input type="checkbox"/> <input type="checkbox"/> <input type="checkbox"/> <input type="checkbox"/> OFF <input checked="" type="checkbox"/> <input checked="" type="checkbox"/> <input checked="" type="checkbox"/> <input checked="" type="checkbox"/> <input checked="" type="checkbox"/> <input checked="" type="checkbox"/> <input checked="" type="checkbox"/> <input checked="" type="checkbox"/> 8 7 6 5 4 3 2 1
720p50	OFF	OFF	OFF	ON	OFF	ON <input type="checkbox"/> <input type="checkbox"/> <input checked="" type="checkbox"/> <input type="checkbox"/> <input type="checkbox"/> <input type="checkbox"/> <input type="checkbox"/> <input type="checkbox"/> OFF <input checked="" type="checkbox"/> <input checked="" type="checkbox"/> <input checked="" type="checkbox"/> <input checked="" type="checkbox"/> <input checked="" type="checkbox"/> <input checked="" type="checkbox"/> <input checked="" type="checkbox"/> <input checked="" type="checkbox"/> 8 7 6 5 4 3 2 1
720p59.94	OFF	OFF	OFF	ON	ON	ON <input type="checkbox"/> <input type="checkbox"/> <input type="checkbox"/> <input type="checkbox"/> <input type="checkbox"/> <input type="checkbox"/> <input type="checkbox"/> <input type="checkbox"/> OFF <input checked="" type="checkbox"/> <input checked="" type="checkbox"/> <input checked="" type="checkbox"/> <input checked="" type="checkbox"/> <input checked="" type="checkbox"/> <input checked="" type="checkbox"/> <input checked="" type="checkbox"/> <input checked="" type="checkbox"/> 8 7 6 5 4 3 2 1
720p60	OFF	OFF	ON	OFF	ON	ON <input type="checkbox"/> <input type="checkbox"/> <input type="checkbox"/> <input checked="" type="checkbox"/> <input type="checkbox"/> <input type="checkbox"/> <input type="checkbox"/> <input type="checkbox"/> OFF <input checked="" type="checkbox"/> <input checked="" type="checkbox"/> <input checked="" type="checkbox"/> <input checked="" type="checkbox"/> <input checked="" type="checkbox"/> <input checked="" type="checkbox"/> <input checked="" type="checkbox"/> <input checked="" type="checkbox"/> 8 7 6 5 4 3 2 1
1080i50	OFF	OFF	ON	OFF	ON	ON <input type="checkbox"/> <input type="checkbox"/> <input type="checkbox"/> <input checked="" type="checkbox"/> <input type="checkbox"/> <input type="checkbox"/> <input type="checkbox"/> <input type="checkbox"/> OFF <input checked="" type="checkbox"/> <input checked="" type="checkbox"/> <input checked="" type="checkbox"/> <input checked="" type="checkbox"/> <input checked="" type="checkbox"/> <input checked="" type="checkbox"/> <input checked="" type="checkbox"/> <input checked="" type="checkbox"/> 8 7 6 5 4 3 2 1
1080i59.94	OFF	OFF	ON	ON	OFF	ON <input type="checkbox"/> <input type="checkbox"/> <input checked="" type="checkbox"/> <input checked="" type="checkbox"/> <input type="checkbox"/> <input type="checkbox"/> <input type="checkbox"/> <input type="checkbox"/> OFF <input checked="" type="checkbox"/> <input checked="" type="checkbox"/> <input checked="" type="checkbox"/> <input checked="" type="checkbox"/> <input checked="" type="checkbox"/> <input checked="" type="checkbox"/> <input checked="" type="checkbox"/> <input checked="" type="checkbox"/> 8 7 6 5 4 3 2 1
1080i60	OFF	OFF	ON	ON	ON	ON <input type="checkbox"/> <input type="checkbox"/> <input checked="" type="checkbox"/> <input checked="" type="checkbox"/> <input checked="" type="checkbox"/> <input type="checkbox"/> <input type="checkbox"/> <input type="checkbox"/> OFF <input checked="" type="checkbox"/> <input checked="" type="checkbox"/> <input checked="" type="checkbox"/> <input checked="" type="checkbox"/> <input checked="" type="checkbox"/> <input checked="" type="checkbox"/> <input checked="" type="checkbox"/> <input checked="" type="checkbox"/> 8 7 6 5 4 3 2 1
1080PsF23.98	OFF	ON	OFF	OFF	OFF	ON <input type="checkbox"/> <input checked="" type="checkbox"/> <input type="checkbox"/> <input type="checkbox"/> <input type="checkbox"/> <input type="checkbox"/> <input type="checkbox"/> <input type="checkbox"/> OFF <input checked="" type="checkbox"/> <input checked="" type="checkbox"/> <input checked="" type="checkbox"/> <input checked="" type="checkbox"/> <input checked="" type="checkbox"/> <input checked="" type="checkbox"/> <input checked="" type="checkbox"/> <input checked="" type="checkbox"/> 8 7 6 5 4 3 2 1
1080PsF24	OFF	ON	OFF	OFF	ON	ON <input type="checkbox"/> <input checked="" type="checkbox"/> <input type="checkbox"/> <input type="checkbox"/> <input type="checkbox"/> <input type="checkbox"/> <input type="checkbox"/> <input type="checkbox"/> OFF <input checked="" type="checkbox"/> <input checked="" type="checkbox"/> <input checked="" type="checkbox"/> <input checked="" type="checkbox"/> <input checked="" type="checkbox"/> <input checked="" type="checkbox"/> <input checked="" type="checkbox"/> <input checked="" type="checkbox"/> 8 7 6 5 4 3 2 1
1080PsF25	OFF	ON	OFF	ON	OFF	ON <input type="checkbox"/> <input checked="" type="checkbox"/> <input type="checkbox"/> <input type="checkbox"/> <input checked="" type="checkbox"/> <input type="checkbox"/> <input type="checkbox"/> <input type="checkbox"/> OFF <input checked="" type="checkbox"/> <input checked="" type="checkbox"/> <input checked="" type="checkbox"/> <input checked="" type="checkbox"/> <input checked="" type="checkbox"/> <input checked="" type="checkbox"/> <input checked="" type="checkbox"/> <input checked="" type="checkbox"/> 8 7 6 5 4 3 2 1
1080PsF29.97	OFF	ON	OFF	ON	ON	ON <input type="checkbox"/> <input checked="" type="checkbox"/> <input type="checkbox"/> <input type="checkbox"/> <input checked="" type="checkbox"/> <input type="checkbox"/> <input type="checkbox"/> <input type="checkbox"/> OFF <input checked="" type="checkbox"/> <input checked="" type="checkbox"/> <input checked="" type="checkbox"/> <input checked="" type="checkbox"/> <input checked="" type="checkbox"/> <input checked="" type="checkbox"/> <input checked="" type="checkbox"/> <input checked="" type="checkbox"/> 8 7 6 5 4 3 2 1
1080PsF30	OFF	ON	ON	OFF	OFF	ON <input type="checkbox"/> <input checked="" type="checkbox"/> <input checked="" type="checkbox"/> <input type="checkbox"/> <input type="checkbox"/> <input type="checkbox"/> <input type="checkbox"/> <input type="checkbox"/> OFF <input checked="" type="checkbox"/> <input checked="" type="checkbox"/> <input checked="" type="checkbox"/> <input checked="" type="checkbox"/> <input checked="" type="checkbox"/> <input checked="" type="checkbox"/> <input checked="" type="checkbox"/> <input checked="" type="checkbox"/> 8 7 6 5 4 3 2 1
1080p23.98	OFF	ON	ON	OFF	ON	ON <input type="checkbox"/> <input checked="" type="checkbox"/> <input checked="" type="checkbox"/> <input type="checkbox"/> <input type="checkbox"/> <input type="checkbox"/> <input type="checkbox"/> <input type="checkbox"/> OFF <input checked="" type="checkbox"/> <input checked="" type="checkbox"/> <input checked="" type="checkbox"/> <input checked="" type="checkbox"/> <input checked="" type="checkbox"/> <input checked="" type="checkbox"/> <input checked="" type="checkbox"/> <input checked="" type="checkbox"/> 8 7 6 5 4 3 2 1
1080p24	OFF	ON	ON	ON	OFF	ON <input type="checkbox"/> <input checked="" type="checkbox"/> <input checked="" type="checkbox"/> <input checked="" type="checkbox"/> <input checked="" type="checkbox"/> <input type="checkbox"/> <input type="checkbox"/> <input type="checkbox"/> OFF <input checked="" type="checkbox"/> <input checked="" type="checkbox"/> <input checked="" type="checkbox"/> <input checked="" type="checkbox"/> <input checked="" type="checkbox"/> <input checked="" type="checkbox"/> <input checked="" type="checkbox"/> <input checked="" type="checkbox"/> 8 7 6 5 4 3 2 1
1080p25	OFF	ON	ON	ON	ON	ON <input type="checkbox"/> <input checked="" type="checkbox"/> <input checked="" type="checkbox"/> <input checked="" type="checkbox"/> <input checked="" type="checkbox"/> <input checked="" type="checkbox"/> <input type="checkbox"/> <input type="checkbox"/> OFF <input checked="" type="checkbox"/> <input checked="" type="checkbox"/> <input checked="" type="checkbox"/> <input checked="" type="checkbox"/> <input checked="" type="checkbox"/> <input checked="" type="checkbox"/> <input checked="" type="checkbox"/> <input checked="" type="checkbox"/> 8 7 6 5 4 3 2 1
1080p29.97	OFF	ON	ON	ON	OFF	ON <input type="checkbox"/> <input checked="" type="checkbox"/> <input checked="" type="checkbox"/> <input checked="" type="checkbox"/> <input checked="" type="checkbox"/> <input type="checkbox"/> <input type="checkbox"/> <input type="checkbox"/> OFF <input checked="" type="checkbox"/> <input checked="" type="checkbox"/> <input checked="" type="checkbox"/> <input checked="" type="checkbox"/> <input checked="" type="checkbox"/> <input checked="" type="checkbox"/> <input checked="" type="checkbox"/> <input checked="" type="checkbox"/> 8 7 6 5 4 3 2 1
1080p30	ON	OFF	OFF	OFF	ON	ON <input checked="" type="checkbox"/> <input type="checkbox"/> <input type="checkbox"/> <input type="checkbox"/> <input type="checkbox"/> <input type="checkbox"/> <input type="checkbox"/> <input type="checkbox"/> OFF <input type="checkbox"/> <input checked="" type="checkbox"/> <input checked="" type="checkbox"/> <input checked="" type="checkbox"/> <input checked="" type="checkbox"/> <input checked="" type="checkbox"/> <input checked="" type="checkbox"/> <input checked="" type="checkbox"/> 8 7 6 5 4 3 2 1
1080p50	ON	OFF	OFF	ON	OFF	ON <input checked="" type="checkbox"/> <input type="checkbox"/> <input type="checkbox"/> <input type="checkbox"/> <input checked="" type="checkbox"/> <input type="checkbox"/> <input type="checkbox"/> <input type="checkbox"/> OFF <input type="checkbox"/> <input checked="" type="checkbox"/> <input checked="" type="checkbox"/> <input checked="" type="checkbox"/> <input checked="" type="checkbox"/> <input checked="" type="checkbox"/> <input checked="" type="checkbox"/> <input checked="" type="checkbox"/> 8 7 6 5 4 3 2 1
1080p59.94	ON	OFF	OFF	ON	ON	ON <input checked="" type="checkbox"/> <input type="checkbox"/> <input type="checkbox"/> <input type="checkbox"/> <input checked="" type="checkbox"/> <input type="checkbox"/> <input type="checkbox"/> <input type="checkbox"/> OFF <input type="checkbox"/> <input checked="" type="checkbox"/> <input checked="" type="checkbox"/> <input checked="" type="checkbox"/> <input checked="" type="checkbox"/> <input checked="" type="checkbox"/> <input checked="" type="checkbox"/> <input checked="" type="checkbox"/> 8 7 6 5 4 3 2 1
1080p60	ON	OFF	ON	OFF	OFF	ON <input checked="" type="checkbox"/> <input type="checkbox"/> <input checked="" type="checkbox"/> <input type="checkbox"/> <input type="checkbox"/> <input type="checkbox"/> <input type="checkbox"/> <input type="checkbox"/> OFF <input type="checkbox"/> <input checked="" type="checkbox"/> <input checked="" type="checkbox"/> <input checked="" type="checkbox"/> <input checked="" type="checkbox"/> <input checked="" type="checkbox"/> <input checked="" type="checkbox"/> <input checked="" type="checkbox"/> 8 7 6 5 4 3 2 1

## 컨버터 셋업 유틸리티

Blackmagic Converters Setup 유틸리티를 통해 종횡비 등의 설정을 변경하고 Mini Converter의 소프트웨어를 업데이트할 수 있습니다. Mini Converter 전원이 꺼진 상황에서도 모든 유틸리티 설정은 그대로 유지됩니다. 모든 설정은 Video/Audio/About 탭에서 사용할 수 있습니다.

About 탭에 관한 자세한 내용은 본 설명서의 [설정 변경하기] 부분을 참고하세요.

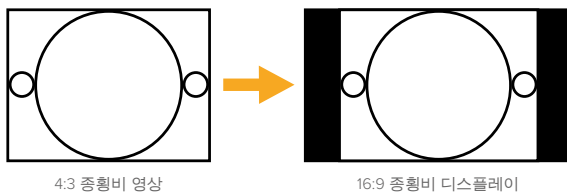
Mini Converter UpDownCross HD의 Video 탭에서는 다음과 같은 사항을 설정할 수 있습니다.



Converters Setup 유틸리티의 Video 탭에서 SD 종횡비를 선택할 수 있습니다.

### SD를 위한 종횡비

4:3 필러박스 비디오를 출력하려면 해당 확인란 선택을 해제하세요. 16:9 SD 버전을 출력하려면 해당 확인란을 선택하세요. 예를 들어, 입력 비디오가 SD 4:3인 경우에 해당 확인란을 선택하지 않으면 16:9 프레임 안의 원본 4:3 종횡비가 그대로 유지됩니다. 하지만 입력 비디오가 SD 16:9인 경우에 해당 확인란을 선택하면 다이렉트 16:9 컨버전 영상이 출력됩니다.



4:3 종횡비 영상

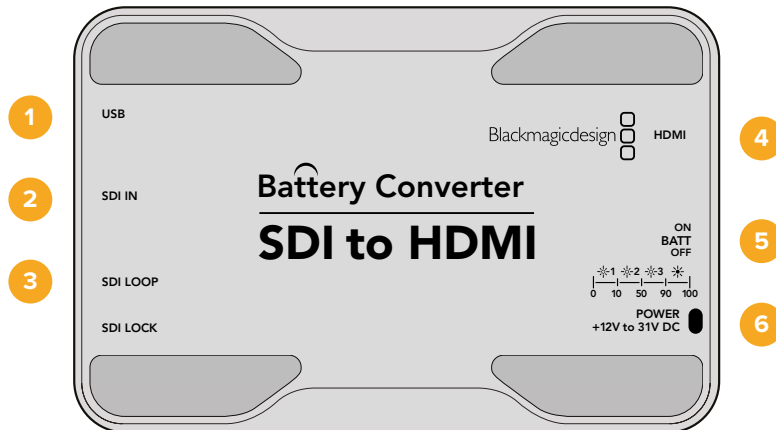
16:9 종횡비 디스플레이

기본 종횡비는 SD 비디오를 4:3 필러박스로 출력하도록 설정되어 있지만, Setup 유틸리티의 Video 탭에 있는 확인란을 선택해 16:9 종횡비가 유지되도록 설정할 수 있습니다.

# Blackmagic Battery Converter

## Battery Converter SDI to HDMI

Battery Converter SDI to HDMI를 사용해 광범위한 종류의 HDMI 디스플레이와 비디오 프로젝터를 SDI 기반 장비에 연결할 수 있습니다. Battery Converter SDI to HDMI는 SD/HD/3G-SDI를 자동으로 감지해 임베디드 오디오와 함께 HDMI로 변환합니다. Battery Converter SDI to HDMI에는 충전용 배터리가 내장되어 있으며, 커넥터는 항공기 소재의 알루미늄 케이스 안쪽에 있습니다.

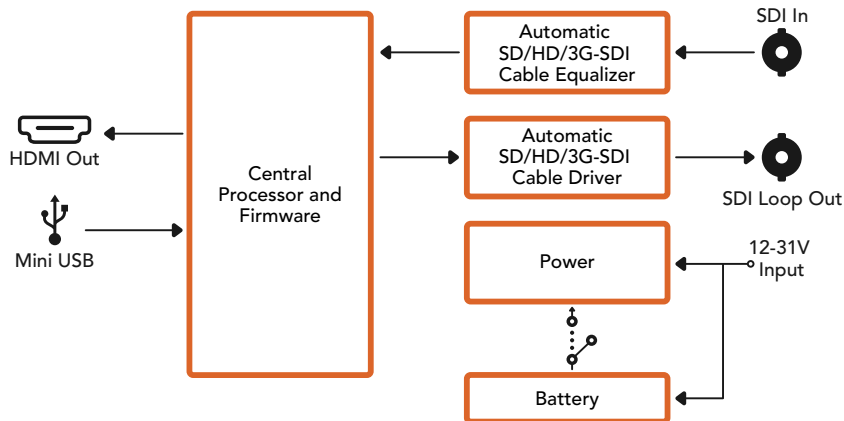


## 커넥터

- 1 미니-B USB 포트**  
Mac OS X/Windows 컴퓨터의 Blackmagic Converters Setup 소프트웨어에 연결할 수 있습니다. Mini Converter의 내부 소프트웨어 또한 USB 포트를 통해 업데이트됩니다.
- 2 SDI In** 주요 SDI 입력(BNC 커넥터).
- 3 SDI Loop**  
SDI 입력 BNC 커넥터의 루프스루 출력.
- 4 HDMI**  
HDMI 타입 A 비디오 출력.
- 5 ON BATT OFF**  
배터리 전원을 켜고 끕니다. On으로 설정하면 외부 전원이 끊겨도 Battery Converter를 계속 운용할 수 있습니다. Off로 설정하면 외부 전원만을 사용하므로 내장 배터리 전력을 아낄 수 있습니다. 스위치 근처에 있는 LED를 통해 배터리 충전 상태를 확인할 수 있습니다. 100% 충전 시 불이 계속 들어오며, 50~90% 충전된 경우에는 3번, 10~50% 충전된 경우에는 2번, 충전량이 10% 미만이면 1번 깜빡입니다.
- 6 Power +12V**  
12V 전원 공급 입력.

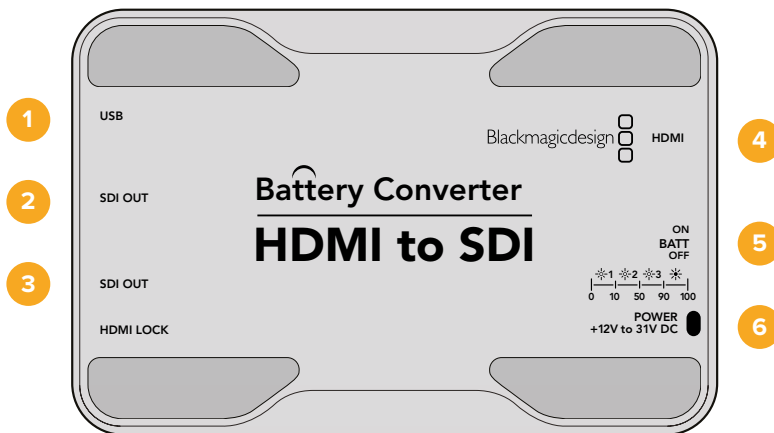


## Battery Converter SDI to HDMI 블록 선도



## Battery Converter HDMI to SDI

Battery Converter HDMI to SDI를 사용해 HDV 카메라나 게임 콘솔의 HDMI 출력을 SDI로 변환할 수 있습니다. 가장 긴 SDI 케이블을 사용해 HDMI 비디오 신호를 전송할 수 있습니다. HDMI 지원 컴퓨터에 SDI 출력을 추가할 수도 있습니다. Battery Converter HDMI to SDI에는 충전 배터리가 내장되어 있습니다. 모든 커넥터는 항공기 소재 알루미늄 케이스에 안쪽에 탑재되어 있어 커넥터 손상을 방지할 수 있습니다.



## 커넥터

- 1 **미니-B USB 포트**  
Mac OS X/Windows 컴퓨터의 Blackmagic Converters Setup 소프트웨어에 연결할 수 있습니다. Mini Converter의 내부 소프트웨어 또한 USB 포트를 통해 업데이트됩니다.
- 2 **SDI OUT**  
SDI 비디오 출력(BNC 커넥터).
- 3 **SDI OUT**  
두 번째 SDI 출력.
- 4 **HDMI**  
HDMI 타입 A 비디오 입력.

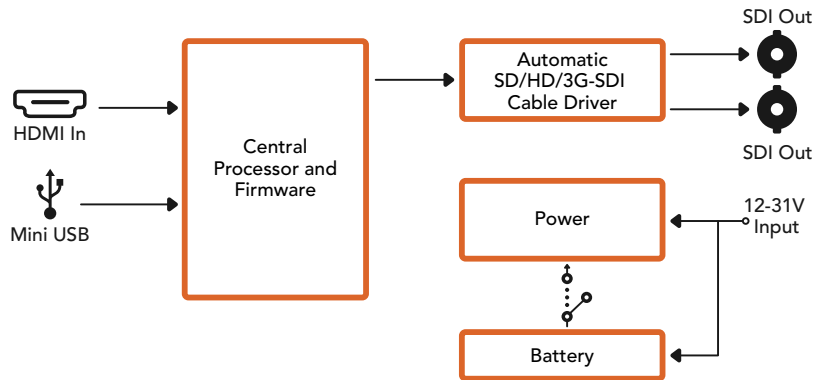
**5 ON BATT OFF**

배터리 전원을 켜고 끕니다. On으로 설정하면 외부 전원이 끊겨도 Battery Converter를 계속 운용할 수 있습니다. Off로 설정하면 외부 전원만을 사용하므로 내장 배터리 전력을 아낄 수 있습니다. 스위치 근처에 있는 LED를 통해 배터리 충전 상태를 확인할 수 있습니다. 100% 충전 시 불이 계속 들어오며, 50~90% 충전된 경우에는 3번, 10~50% 충전된 경우에는 2번, 충전량이 10% 미만이면 1번 깜빡입니다.

**6 Power +12V**

12V 전원 공급 입력.

**Battery Converter HDMI to SDI 블록 선도**



# 지원

## 지원 받기

가장 빠르게 지원받을 수 있는 방법은 Blackmagic Design 온라인 고객지원 페이지에 접속하여 Blackmagic Converter 관련 최신 지원 정보를 확인하는 것입니다.

### Blackmagic Design 온라인 고객지원 페이지

최신 사용 설명서, 소프트웨어, 지원 노트는 Blackmagic 고객지원 센터 ([www.blackmagicdesign.com/kr/support](http://www.blackmagicdesign.com/kr/support))에서 확인하실 수 있습니다.

### Blackmagic Design 포럼

저희 웹사이트에 있는 Blackmagic Design 포럼은 유용한 정보를 제공하는 곳으로, 방문을 통해 자세한 정보와 창의적인 아이디어를 얻을 수 있습니다. 또한, 숙련된 사용자들이나 Blackmagic Design 직원들이 기존에 올려놓은 해결책을 통해 원하는 해답을 얻을 수도 있으므로 여러 가지 도움을 빠르게 받아 한 단계 성장할 수 있는 방법이기도 합니다. 포럼은 <http://forum.blackmagicdesign.com>를 통해 방문할 수 있습니다.

### Blackmagic Design 고객 지원에 문의하기

고객 지원 페이지나 포럼에서 원하는 정보를 얻지 못한 경우에는 [이메일 보내기] 버튼을 클릭하여 지원 요청 이메일을 보내주세요. 또는, [지역별 고객 지원팀 찾기] 버튼을 클릭하여 가장 가까운 Blackmagic Design 고객 지원 사무실에 전화로 문의하실 수 있습니다.

### 현재 설치된 소프트웨어 버전 확인하기

컴퓨터에 설치된 Converter Setup 소프트웨어의 버전을 확인하려면 About Blackmagic Converter Setup 창을 열어주세요.

- Mac OS X에서는 애플리케이션 폴더에 있는 Blackmagic Converter Setup을 실행합니다. 애플리케이션 메뉴에서 About Blackmagic Converter Setup을 선택해 버전을 확인하세요.
- Windows 7에서는 시작 메뉴에서 Blackmagic Converter Setup을 실행합니다. 메뉴에서 도움말을 클릭한 뒤, Blackmagic Converter Setup을 선택하고 버전을 확인하세요.
- Windows 8에서는 시작 페이지에 있는 Blackmagic Converter Setup 타일에서 Blackmagic Converter Setup을 실행합니다. 메뉴에서 도움말을 클릭한 뒤, Blackmagic Converter Setup을 선택하고 버전을 확인하세요.

### 최신 버전 소프트웨어 업데이트하기

컴퓨터에 설치된 Blackmagic Converter Setup 소프트웨어의 버전을 확인한 뒤,

Blackmagic Design 고객 센터 ([www.blackmagicdesign.com/kr/support](http://www.blackmagicdesign.com/kr/support))에 방문하여 최신 업데이트 여부를 확인하세요. 최신 버전으로 업데이트하는 것을 권장하지만, 중요한 프로젝트를 실행하는 도중에는 소프트웨어 업데이트를 하지 않는 것이 좋습니다.

# 보증

## 12개월 제한 품질 보증

Blackmagic Design은 Teranex Mini Converter 제품 시리즈의 부품 및 공정 기술에 결함이 없음을 구매일로부터 36개월 동안 보증합니다. 하지만 커넥터, 케이블, 냉각팬, 광섬유 모듈, 퓨즈, 키보드, 배터리의 부품 및 공정 기술에 대한 보증 기간은 구매일로부터 12개월입니다.

Blackmagic Design은 본 제품의 부품 및 제조에 어떠한 결함도 없음을 제품 구매일로부터 12개월 동안 보증합니다. 보증 기간 내에 결함이 발견될 경우, Blackmagic Design은 당사의 결정에 따라 무상 수리 또는 새로운 제품으로 교환해드립니다.

구매 고객은 반드시 보증 기간이 만료되기 전에 결함 사실을 Blackmagic Design에 통지해야 적절한 보증 서비스를 제공받을 수 있습니다. 구매 고객은 지정된 Blackmagic Design 서비스 센터로 결함 제품을 포장 및 운송할 책임이 있으며 운송 비용은 선불로 지급되어야 합니다. 구매 고객은 또한 이유를 불문하고 제품 반송에 대한 운송료, 보험, 관세, 세금, 기타 비용을 부담해야 합니다.

이 보증은 부적절한 사용 및 관리, 취급으로 인한 파손, 고장, 결함에는 적용되지 않습니다. Blackmagic Design은 다음과 같은 경우에 보증 서비스를 제공할 의무가 없습니다. a) Blackmagic Design 판매 대리인이 아닌 개인에 의해 발생한 제품 손상. b) 부적절한 사용 및 호환하지 않는 장비와의 연결로 인한 제품 손상. c) Blackmagic Design사의 부품 및 공급품이 아닌 것을 사용하여 발생한 손상 및 고장. d) 제품을 개조하거나 다른 제품과 통합하여 제품 작동 시간 증가 및 기능 저하가 발생한 경우. BLACKMAGIC DESIGN에서 제공하는 제품 보증은 다른 모든 명시적 또는 묵시적 보증을 대신합니다. BLACKMAGIC DESIGN사와 관련 판매 회사는 상품성 및 특정 목적의 적합성과 관련된 모든 묵시적 보증을 부인합니다. 구매 고객에게 제공되는 BLACKMAGIC DESIGN의 결함 제품 수리 및 교환 관련 책임은 BLACKMAGIC DESIGN 또는 판매 회사에서 관련 위험의 가능성에 대한 사전 통보의 여부와 관계없이 모든 간접적, 특별, 우발적, 결과적 손해에 대한 유일한 배상 수단입니다. BLACKMAGIC DESIGN은 고객이 사용한 불법 장비에 대해서는 어떤 법적 책임도 지지 않습니다. BLACKMAGIC은 본 제품의 사용으로 인해 발생하는 손해에 대해서는 어떤 법적 책임도 지지 않습니다. 제품 사용으로 인해 발생할 수 있는 위험에 대한 책임은 본인에게 있습니다.

© 저작권 2018 Blackmagic Design. 모든 권리 보유. 'Blackmagic Design', 'DeckLink', 'HDLink', 'Workgroup Videohub', 'Multibridge Pro', 'Multibridge Extreme', 'Intensity', 'Leading the creative video revolution'은 모두 미국 및 기타 국가에 등록된 상표입니다. 다른 회사명 및 제품 이름은 관련 회사의 등록 상표일 수 있습니다.

Blackmagicdesign 



Руководство по установке и эксплуатации

# Конвертеры Blackmagic

Июнь 2018 г.

Русский





## Добро пожаловать!

Благодарим вас за покупку конвертера Blackmagic.

Mini Converter, Mini Converter Heavy Duty, Battery Converter и Micro Converter — это целый набор решений для преобразования практически любого вида. Линейка Mini Converter обеспечивает совместимость устройств с аналоговым и цифровым интерфейсами, позволяет выделять и встраивать звук при обработке SDI-потока, выполнять понижающую и повышающую конверсию, распределять SDI-сигнал и синхронизировать все устройства в студии. Модели Mini Converter Heavy Duty имеют такой же функционал, но благодаря сверхпрочному корпусу подходят для эксплуатации в мобильных условиях, а Battery Converter дает возможность обходиться без внешнего источника питания. Линейка Micro Converter отличается еще более компактными размерами и предназначена для вывода изображения с HDMI-техники на SDI-рекордеры и микшеры, а также для подключения HDMI-мониторов к SDI-оборудованию.

Это руководство содержит всю информацию, необходимую для работы с конвертерами Blackmagic.

Последнюю версию руководства и дополнительную информацию о конвертерах Blackmagic можно найти в разделе поддержки на сайте [www.blackmagicdesign.com/ru](http://www.blackmagicdesign.com/ru). Использование актуальной версии внутреннего ПО гарантирует доступ ко всем имеющимся функциям. Чтобы узнавать о выходе обновлений, зарегистрируйтесь при загрузке программного обеспечения. Мы постоянно работаем над совершенствованием наших продуктов, поэтому ваши отзывы помогут нам сделать их еще лучше!

**Грант Петти**

Генеральный директор Blackmagic Design

# Содержание

## Конвертеры Blackmagic

<b>Подготовка к работе</b>	635	Mini Converter HDMI to SDI 4K	664
Подключение питания	635	Mini Converter HDMI to SDI 6G	667
Подключение источников видео	636	Mini Converter SDI to Analog	670
Подключение источников аудио	637	Mini Converter SDI to Analog 4K	675
<b>Установка программного обеспечения</b>	638	Mini Converter Analog to SDI	679
Утилита Blackmagic Converters Setup	638	Mini Converter SDI to Audio	683
Обновление встроенного программного обеспечения	639	Mini Converter SDI to Audio 4K	686
Обновление ПО на Mini Converter SDI Distribution 4K	640	Mini Converter Audio to SDI	689
<b>Изменение настроек</b>	641	Mini Converter Audio to SDI 4K	693
Изменение настроек с помощью переключателей	641	Mini Converter Optical Fiber	697
Изменение настроек с помощью Blackmagic Converters Setup	642	Mini Converter Optical Fiber 4K	698
Вкладка About	643	Mini Converter Optical Fiber 12G	699
<b>Модели конвертеров Blackmagic</b>	643	Mini Converter Quad SDI to HDMI 4K	700
<b>Конвертеры Teranex Mini</b>	643	Mini Converter SDI Distribution	701
<b>Blackmagic Micro Converter</b>	644	Mini Converter SDI Distribution 4K	702
Micro Converter SDI to HDMI	644	Mini Converter SDI Multiplex 4K	703
Micro Converter HDMI to SDI	645	Mini Converter Sync Generator	706
Micro Converter BiDirectional SDI/HDMI	647	Mini Converter UpDownCross	709
<b>Blackmagic Mini Converter</b>	649	Mini Converter UpDownCross HD	713
Mini Converter SDI to HDMI	649	Настройки утилиты Blackmagic Converters Setup	716
Mini Converter SDI to HDMI 4K	652	<b>Blackmagic Battery Converter</b>	717
Mini Converter SDI to HDMI 6G	656	Battery Converter SDI to HDMI	717
Mini Converter HDMI to SDI	661	Battery Converter HDMI to SDI	718
		<b>Помощь</b>	720
		<b>Гарантия</b>	721

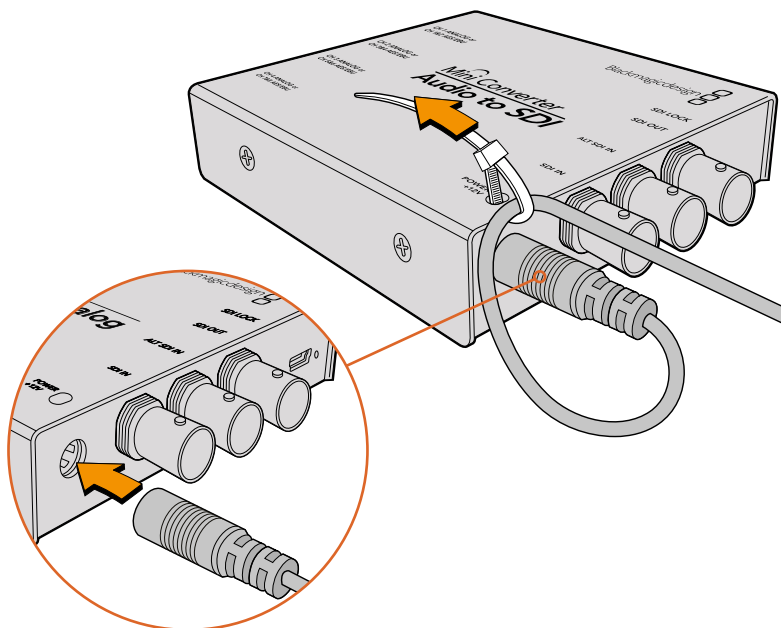
## Подготовка к работе

Чтобы начать работу с конвертером Blackmagic, достаточно подключить питание, источник видео ко входу и оборудование для приема сигнала к выходу.

### Подключение питания

Подключите прилагаемый блок питания 12 В к сетевой розетке.

Если конвертер имеет кабельный хомут, используйте его для предотвращения случайного отсоединения кабеля.



Кабельный хомут помогает предотвратить случайное отключение кабеля

### Micro Converter

Модели линейки Micro Converter оснащены портом Micro USB. Благодаря этому для подачи питания можно использовать зарядные устройства некоторых телефонов или настольные компьютеры с разъемом USB. Для этого также подойдет любая другая техника, которая поддерживает передачу тока напряжением 5 В по переходному кабелю USB/Micro USB.

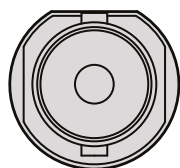
### Battery Converter

Модели линейки Battery Converter имеют переключатель On Batt Off, который предназначен для выбора способа питания. Когда он установлен в положение On, конвертер будет продолжать работать даже при отключении внешнего источника. Если переключатель находится в положении Off, используется только внешнее питание. Светодиодный индикатор рядом с переключателем горит непрерывно, когда батарея заряжена на 100%, мигает три и два раза при заряде 50-90% и 10-50% соответственно, а при уровне менее 10% загорается и гаснет.

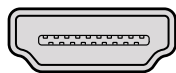


## Подключение источников видео

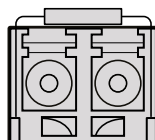
Подключите источник видео ко входу конвертера, а выход соедините с оборудованием, предназначенным для получения сигнала.



BNC



HDMI

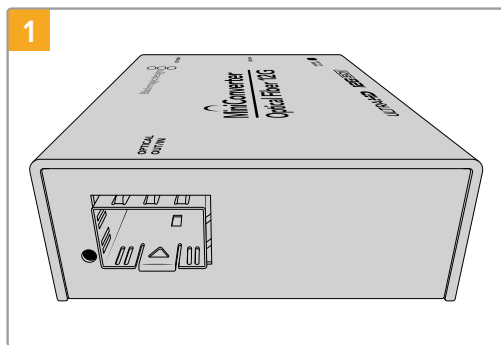


Optical Fiber

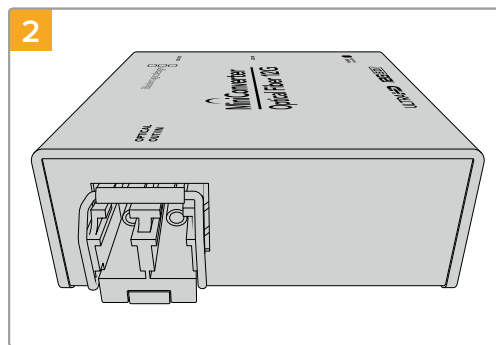
В зависимости от модели вход на конвертерах Blackmagic представляет собой BNC-разъем, HDMI-интерфейс или оптический порт LC

### Оптический интерфейс

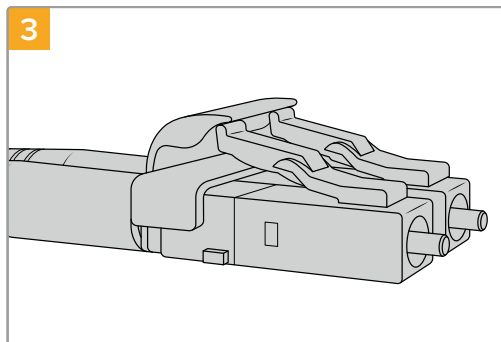
Некоторые конвертеры Blackmagic имеют специальное гнездо для установки оптического SFP-модуля по стандарту SMPTE с поддержкой 3G-, 6G- или 12G-SDI. Этот модуль представляет собой устройство приема и передачи сигнала с интерфейсом для подключения оптоволоконного кабеля.



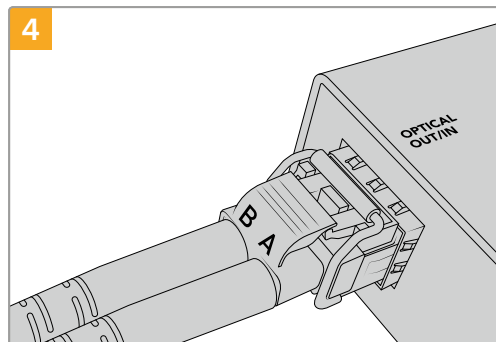
1 Перед использованием гнезда Optical Out/In из него необходимо удалить пыль.



2 Снимите защитную крышку и установите SFP-модуль в гнездо.



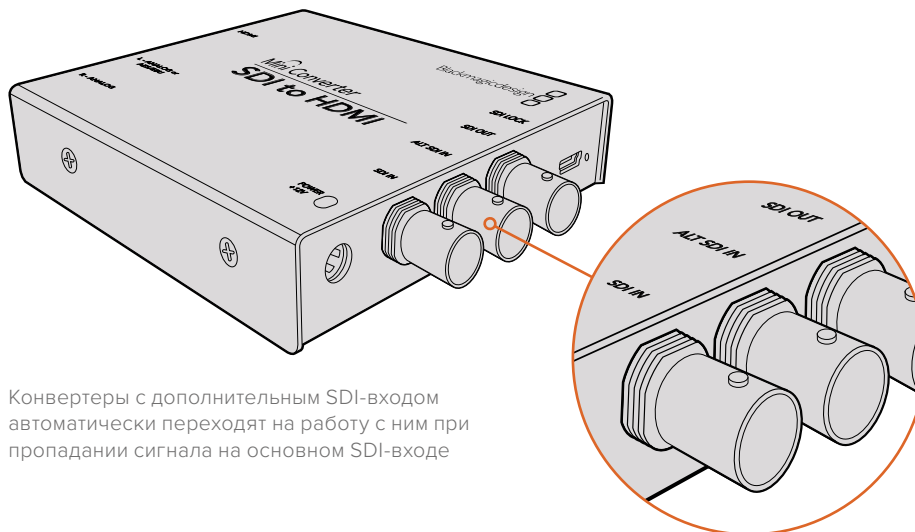
3 Оптоволоконный кабель снабжен верхними фиксаторами для защиты соединения.



4 Подключите оптоволоконные кабели. Убедитесь в том, что входной и выходной кабель правильно подключены к модулю, а их фиксаторы защелкнуты.

### Дополнительные SDI-входы

Некоторые модели конвертеров Blackmagic оснащены дополнительными SDI- входами для дублирования. Они имеют маркировку "Alt SDI In" и используются при пропадании сигнала на основном SDI-входе. При переходе на работу с дополнительным SDI-входом начинает мигать индикатор SDI LOCK.

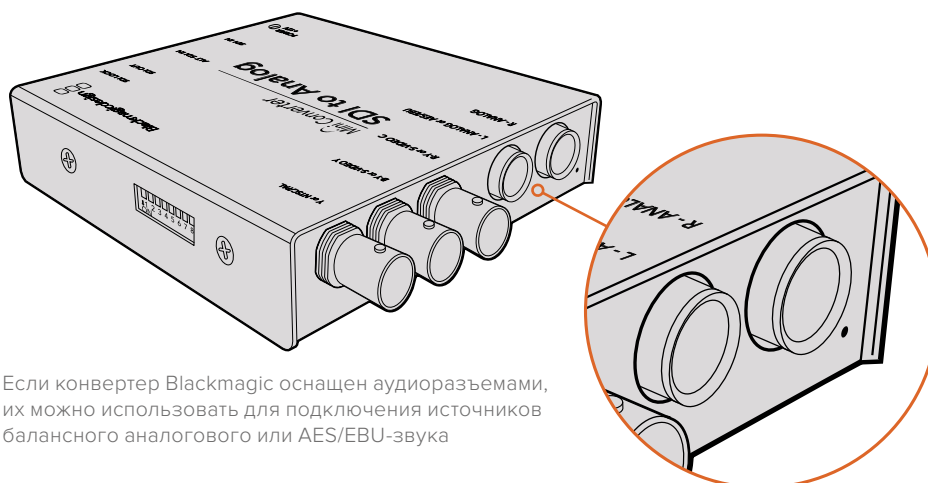


Конвертеры с дополнительным SDI-входом автоматически переходят на работу с ним при пропадании сигнала на основном SDI-входе

## Подключение источников аудио

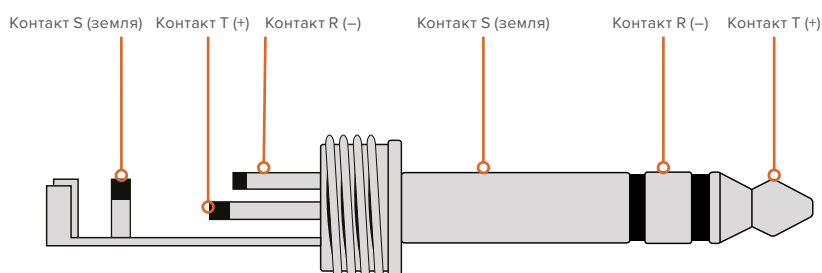
### Аудиоразъемы

Некоторые конвертеры Blackmagic имеют разъемы диаметром 1/4 дюйма, через которые можно подключать внешние источники балансного аналогового или цифрового AES/EBU-звука. Это разъемы типа TRS с тремя контактами: T, R и S.



Если конвертер Blackmagic оснащен аудиоразъемами, их можно использовать для подключения источников балансного аналогового или AES/EBU-звука

На рисунке ниже показана схема распайки штыревого разъема 1/4 дюйма. Используя ее в качестве образца, можно изготовить собственный аудиокабель.



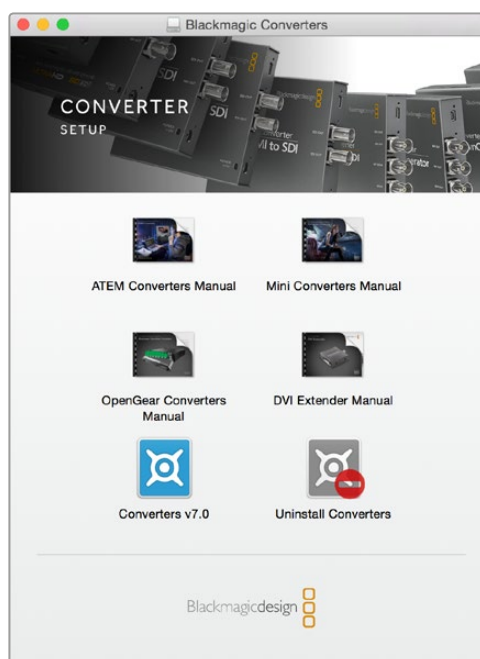
На схеме распайки (см. предыдущую страницу) показаны положительный, отрицательный и заземляющий контакты. Если для аудиооборудования нужна обратная полярность, достаточно поменять местами распайку положительного и отрицательного контактов.

**ПРИМЕЧАНИЕ.** Во время работы с аналоговым стереозвуком при изменении полярности одного разъема необходимо проделать аналогичное действие для второго разъема. В противном случае два сигнала не будут совпадать по фазе.

## Установка программного обеспечения

### Утилита Blackmagic Converters Setup

Утилиту Blackmagic Converters Setup используют для установки настроек конвертера и обновления встроенного ПО. Доступные опции зависят от модели устройства. Некоторые конвертеры Blackmagic не требуют изменения настроек и не имеют внутреннего программного обеспечения, поэтому у них отсутствует порт USB. В этом случае можно сразу перейти к описанию соответствующей модели ниже.



Утилиту Blackmagic Converters Setup можно установить на компьютеры с операционными системами Mac OS X и Windows

#### Установка на Mac OS X

- 1 Загрузите утилиту Blackmagic Converters Setup с веб-сайта [www.blackmagicdesign.com/ru](http://www.blackmagicdesign.com/ru).
- 2 Распакуйте загруженный файл и выберите соответствующий диск для просмотра его содержимого.
- 3 Дважды щелкните кнопкой мыши по значку установщика и следуйте инструкциям на экране.
- 4 После окончания установки выберите Close. Утилита Blackmagic Converters Setup готова к работе.

## Установка на Windows

- 1 Загрузите утилиту Blackmagic Converters Setup с веб-сайта [www.blackmagicdesign.com/ru](http://www.blackmagicdesign.com/ru).
- 2 Распакуйте загруженный файл. Установщик утилиты и руководство по эксплуатации находятся в папке Blackmagic Converters Setup.
- 3 Дважды щелкните кнопкой мыши по значку установщика и следуйте инструкциям на экране.
- 4 Выберите Finish для завершения установки.

Утилита Blackmagic Converters Setup готова к использованию.

## Обновление встроенного программного обеспечения

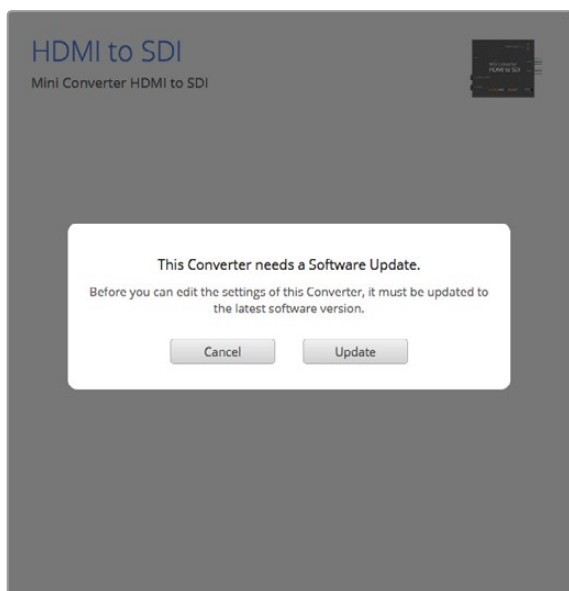
Если конвертер Blackmagic оснащен портом USB, его можно использовать для установки дополнительных настроек и обновления встроенного программного обеспечения. Последняя версия ПО доступна в центре поддержки на веб-сайте Blackmagic Design по адресу [www.blackmagicdesign.com/ru/support](http://www.blackmagicdesign.com/ru/support).

При выполнении обновления на моделях Blackmagic Micro Converter питание поступает через порт USB, поэтому дополнительные соединения не требуются.

Если вы используете Blackmagic Mini Converter, Battery Converter или Mini Converter Heavy Duty, перед соединением с компьютером через порт USB необходимо включить питание устройства.

- 1 Включите конвертер.
- 2 Соедините компьютер с конвертером через порт USB и запустите утилиту Blackmagic Converters Setup.

На начальной странице утилиты будет отображаться название модели. При подключении нескольких конвертеров выберите нужный с помощью левой или правой стрелки.



Если конвертер имеет более раннюю версию встроенного программного обеспечения, утилита Blackmagic Converters Setup предложит выполнить обновление

При отсутствии подключенного конвертера на начальную страницу выводится сообщение "No converters found". Если конвертер соединен с компьютером через порт USB, но не получает питания, отображается сообщение "No power connected". Для доступа к настройкам необходимо подключить источник питания.

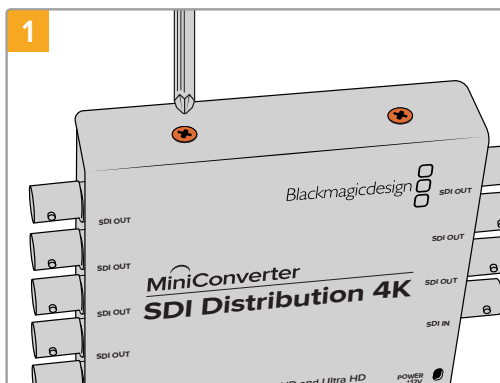
Если конвертер Blackmagic имеет более раннюю версию встроенного ПО, утилита Blackmagic Converters Setup предложит перейти на актуальную. Чтобы выполнить обновление, следуйте инструкциям на экране.

## Обновление ПО на Mini Converter SDI Distribution 4K

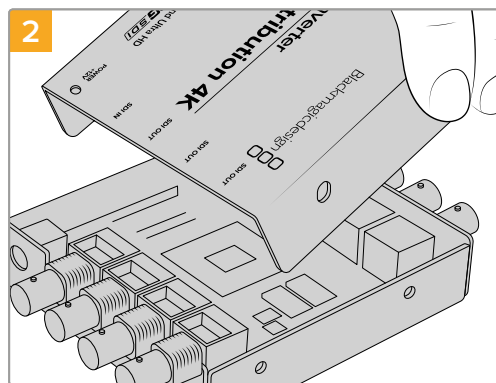
Mini Converter SDI Distribution 4K не требует изменения параметров, поэтому устройство не нужно подключать к компьютеру для установки настроек с помощью утилиты. Тем не менее, на конвертере предусмотрен порт USB, через который можно обновлять внутреннее ПО для повышения совместимости с другим оборудованием. Так, версия 7.0.9 позволяет улучшить работу с сигналами 3G-SDI уровня А.

Чтобы получить доступ к порту USB на Mini Converter SDI Distribution 4K, выполните описанные ниже действия.

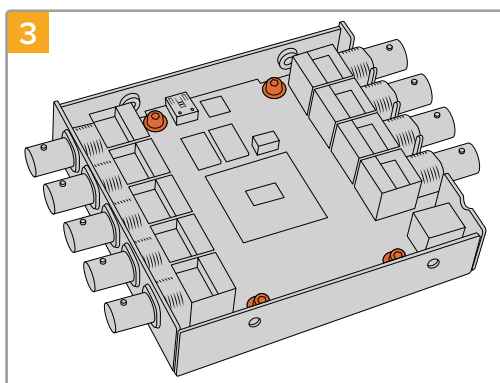
**ПРИМЕЧАНИЕ.** Прежде чем снять крышку корпуса, отключите Mini Converter SDI Distribution 4K от питания. Работа должна выполняться квалифицированным специалистом с использованием антистатического браслета.



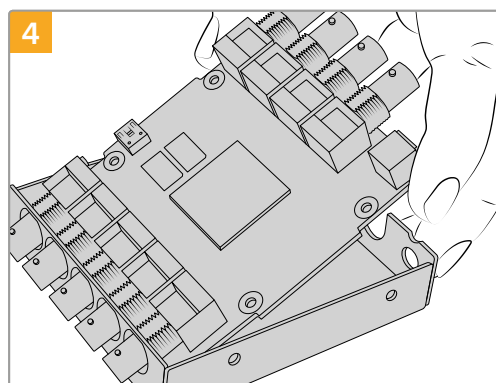
С помощью отвертки Phillips открутите четыре винта M3 по бокам корпуса Mini Converter SDI Distribution 4K.



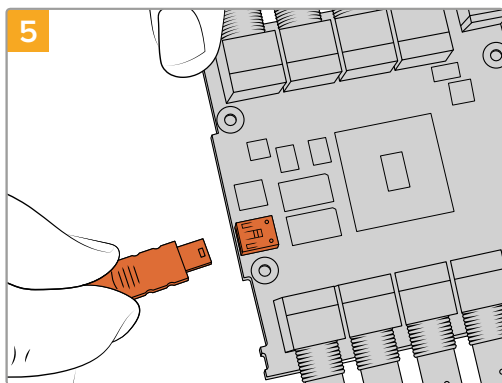
Снимите крышку корпуса.



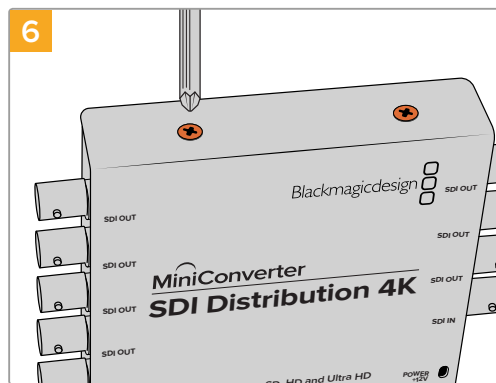
Используя отвертку T10 Torx, открутите четыре винта, которые крепят плату к корпусу Mini Converter SDI Distribution 4K.



Осторожно извлеките плату, чтобы получить доступ к порту USB.



5  
Подключите Mini Converter SDI Distribution 4K к источнику питания и соедините с компьютером через порт USB. Выполните обновление внутреннего ПО в обычном порядке.



6  
Выполните действия, описанные в шагах 1-4, в обратном порядке.

**ПРИМЕЧАНИЕ.** При обращении с платой конвертера Mini Converter SDI Distribution 4K держите ее только за края, чтобы избежать короткого замыкания внутренних компонентов.

## Изменение настроек

Если конвертер Blackmagic допускает изменение настроек, для их установки есть два способа. Можно использовать встроенные переключатели на корпусе или программную утилиту Blackmagic Converters Setup. Утилита также позволяет работать с параметрами, которые нельзя задать с помощью переключателей, например уровень аналогового видео- и аудиосигналов.

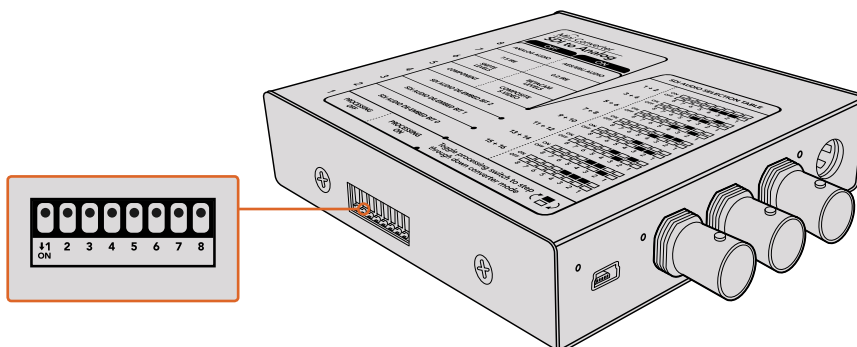
### Изменение настроек с помощью переключателей

Многие конвертеры Blackmagic имеют встроенные переключатели.

Чтобы изменить настройку, установите переключатель в верхнее или нижнее положение с помощью авторучки. Наличие восьми переключателей позволяет выбрать необходимую комбинацию параметров в соответствии с выполняемым преобразованием.

На нижней поверхности корпуса есть схема соединений. Настройки переключателей выполняются в соответствии с их номерными обозначениями (1-8) слева направо.

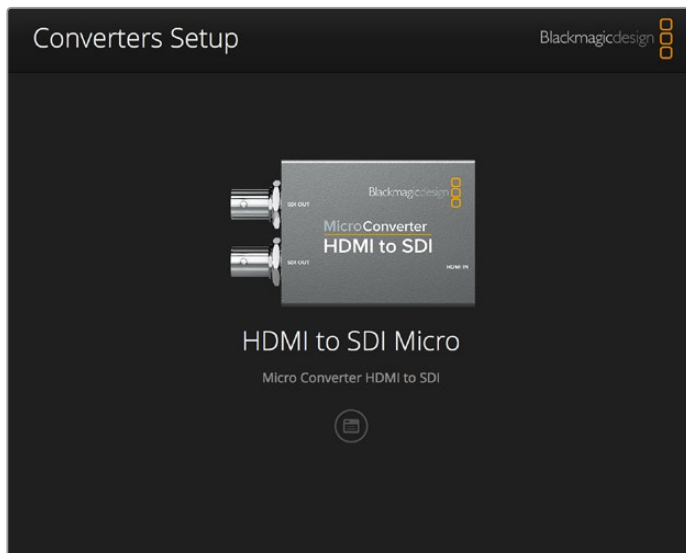
Подробнее о настройках переключателей см. раздел с описанием соответствующей модели конвертера. В качестве подсказки можно использовать диаграмму на нижней поверхности корпуса, однако она не всегда отражает комбинации для недавно добавленных функций. Рекомендуется обращаться к последней версии руководства по эксплуатации, которая доступна в разделе поддержки Blackmagic Design на странице [www.blackmagicdesign.com/ru/support](http://www.blackmagicdesign.com/ru/support).



Установка настроек переключателей с помощью авторучки

## Изменение настроек с помощью Blackmagic Converters Setup

После того как утилита Blackmagic Converters Setup установлена на компьютер, соедините его с конвертером Blackmagic через порт USB.



Изменять настройки и обновлять встроенное ПО конвертера можно с помощью утилиты Blackmagic Converters Setup, установленной на компьютере с операционной системой Mac OS X или Windows

При запуске утилиты Blackmagic Converters Setup на экране отображается ее начальная страница. Если к компьютеру подключено более одного конвертера, для выбора нужного из них используйте стрелки с правой и левой стороны страницы.

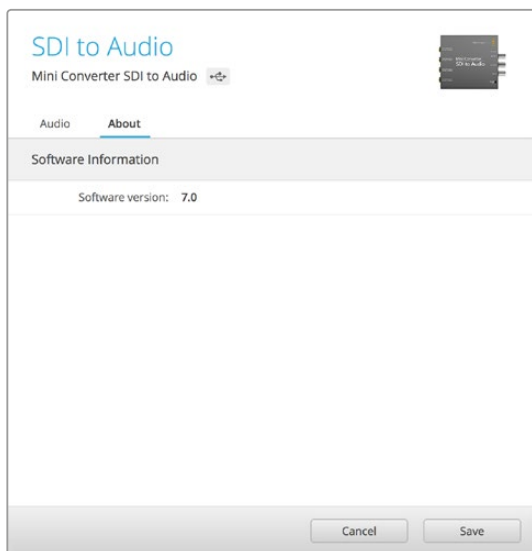
Чтобы изменить параметры, нажмите на значок Settings под изображением конвертера Blackmagic. Установленные настройки будут мгновенно сохранены. Это позволяет восстанавливать используемые параметры при возобновлении питания после непредвиденного сбоя.

Хотя для установки большинства настроек предусмотрены встроенные переключатели, некоторые параметры (например, уровень аналогового видео- или аудиосигнала) можно изменить только с помощью программной утилиты.

**СОБЕТ.** Модели Teranex Mini оснащены интерфейсом 12G-SDI и поддерживают обработку сигнала в форматах до 4K DCI 60p. Информацию о работе с этими конвертерами и об установке настроек с помощью утилиты Blackmagic Teranex Setup можно найти в руководстве по Teranex Mini Converter. Рекомендуется обращаться к последней версии руководства по эксплуатации, которая доступна в разделе поддержки Blackmagic Design на странице [www.blackmagicdesign.com/ru/support](http://www.blackmagicdesign.com/ru/support).

## Вкладка About

Вкладка About утилиты Blackmagic Converters Setup имеет одинаковый вид для всех моделей. На ней конвертеру можно присвоить имя. Щелкните кнопкой мыши в поле Name и введите нужный текст. Нажмите Save, чтобы сохранить.



Вкладка About утилиты Blackmagic Converters Setup позволяет присвоить конвертеру имя. Здесь же можно проверить версию утилиты.

Строка Software Information на вкладке About содержит номер версии ПО, используемой конвертером Blackmagic. Если встроенное программное обеспечение требует обновления, будет отображаться кнопка, с помощью которой можно установить актуальную версию.

## Модели конвертеров Blackmagic

Конвертеры Blackmagic — это полный набор решений для преобразования сигнала на самых разных проектах. Так, модели Mini Converter отличаются малым весом, что позволяет установить их в стойку или на другое оборудование. Линейка Battery Converter предназначена для эксплуатации в мобильных условиях при отсутствии энергоснабжения, а Micro Converter SDI to HDMI и HDMI to SDI могут получать питание через порт USB при подключении к мониторам и настольным компьютерам.

Ниже содержится описание конвертеров Blackmagic, порядка работы с переключателями и установки настроек с помощью программной утилиты.

## Конвертеры Teranex Mini

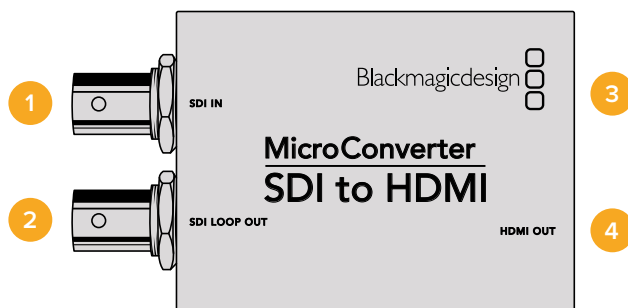
Модели Teranex Mini оснащены интерфейсом 12G-SDI и поддерживают обработку сигнала в форматах до 4K DCI 60p. Эти конвертеры допускают установку дополнительной контрольной панели Teranex Mini Smart Panel, которая имеет ЖК-дисплей, кнопки и поворотную ручку. Более подробную информацию, в том числе об управлении с помощью утилиты Blackmagic Teranex Setup, можно найти в руководстве по эксплуатации Teranex Mini. Для его загрузки перейдите в раздел поддержки на веб-сайте Blackmagic Design по адресу [www.blackmagicdesign.com/ru/support](http://www.blackmagicdesign.com/ru/support).



# Blackmagic Micro Converter

## Micro Converter SDI to HDMI

Этот микроконвертер служит для вывода изображения с SDI-оборудования на дисплеи и видеопроекторы с HDMI-интерфейсом. Модель Micro Converter SDI to HDMI автоматически выбирает SD, HD или 3G-SDI и выполняет преобразование сигнала со встраиванием звука. Прочный корпус из алюминия отличается сверхкомпактными размерами, а питание поступает через порт USB. Это позволяет использовать в качестве источника энергии настольные компьютеры и телевизоры. Для подключения устройства подойдет обычный кабель USB/Micro USB, с помощью которого заряжают мобильные телефоны. Такой кабель можно приобрести в большинстве магазинов бытовой электроники.



## Разъемы

- 1 SDI IN**  
Основной SDI-вход с BNC-разъемом.
- 2 SDI LOOP**  
Сквозной SDI-выход с BNC-разъемом.
- 3 Порт Micro USB/питание**  
Обеспечивает питание с помощью прилагаемого блока или устройства, поддерживающего передачу тока напряжением 5 В по кабелю USB/Micro USB (ТВ или ПК). Также служит для подключения к компьютеру с операционной системой Mac OS X или Windows и управления с помощью утилиты Blackmagic Converters Setup.
- 4 HDMI OUT**  
HDMI-выход типа A.

## Настройки утилиты Blackmagic Converters Setup

Утилита Blackmagic Converters Setup позволяет менять настройки микроконвертера и обновлять его программное обеспечение. Для доступа к этим настройкам используют вкладки Video и About.

Работа с вкладкой About описана в разделе «Изменение настроек» данного руководства.

Вкладка Video для Micro Converter SDI to HDMI дает возможность выбрать описанные ниже опции.

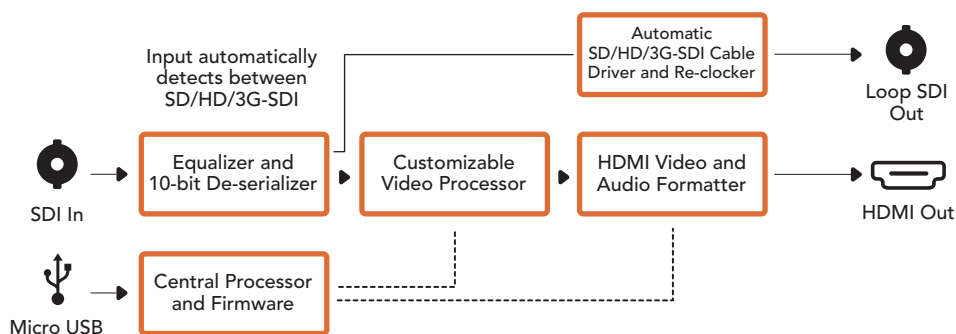


Опция "Clip video output to legal levels" используется по умолчанию. Она обеспечивает корректный вывод входящего SDI-сигнала через HDMI-интерфейс.

### Меню Processing

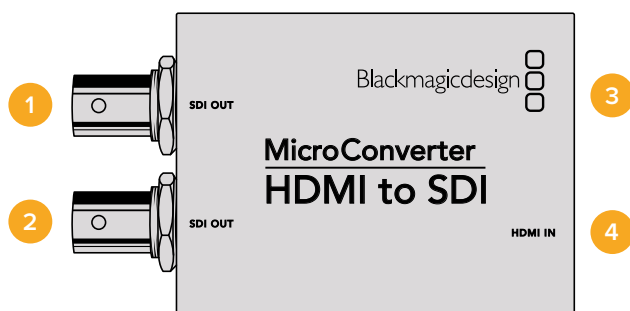
Опция "Clip video output to legal levels" позволяет адаптировать входящий SDI-сигнал для вывода через HDMI-интерфейс. По умолчанию она должна быть включена.

### Схема соединений Micro Converter SDI to HDMI



## Micro Converter HDMI to SDI

Модель Micro Converter HDMI to SDI служит для вывода сигнала с HDMI-устройств (таких как HDV-камеры и игровые консоли) на технику с SDI-интерфейсом. Благодаря этому можно передавать изображение из HDMI-источника по SDI-кабелю на большое расстояние, а также подключать компьютер к SDI-оборудованию. Прочный корпус из алюминия отличается сверхкомпактными размерами, а питание поступает через порт USB. Это позволяет использовать в качестве источника энергии настольные компьютеры и телевизоры. Для подключения устройства подойдет обычный кабель USB/Micro USB, с помощью которого заряжают мобильные телефоны. Такой кабель можно приобрести в большинстве магазинов бытовой электроники.

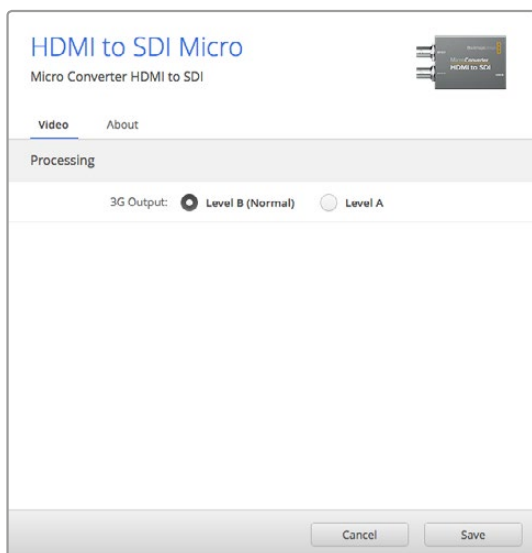


## Разъемы

- 1 SDI OUT**  
SDI-выход с BNC-разъемом.
- 2 SDI OUT**  
Второй SDI-выход.
- 3 Порт Micro USB/питание**  
Обеспечивает питание с помощью прилагаемого блока или устройства, поддерживающего передачу тока напряжением 5 В по кабелю USB/Micro USB (ТВ или ПК). Также служит для подключения к компьютеру с операционной системой Mac OS X или Windows и управления конвертером или обновления его встроенного ПО с помощью утилиты Blackmagic Converters Setup.
- 4 HDMI IN**  
HDMI-вход типа A.

## Настройки утилиты Blackmagic Converters Setup

Утилита Blackmagic Converters Setup позволяет менять настройки микроконвертера и обновлять его программное обеспечение. Для доступа к этим настройкам используют вкладки Video и About.



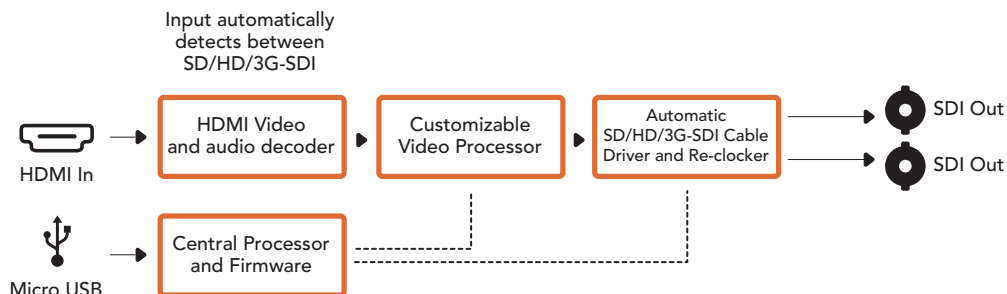
Вкладка Video утилиты Blackmagic Converters Setup позволяет установить уровень SDI-сигнала

Работа с вкладкой About описана в разделе «Изменение настроек» данного руководства. Вкладка Video для Micro Converter HDMI to SDI дает возможность выбрать описанные ниже опции.

## Меню Processing

Меню 3G Output дает возможность использовать опцию "Level A" или "Level B". Эта настройка позволяет выбирать способ вывода сигнала 3G-SDI на оборудование, которое поддерживает только один уровень — Level A или Level B. По умолчанию используется опция "Level B".

## Схема соединений Micro Converter HDMI to SDI



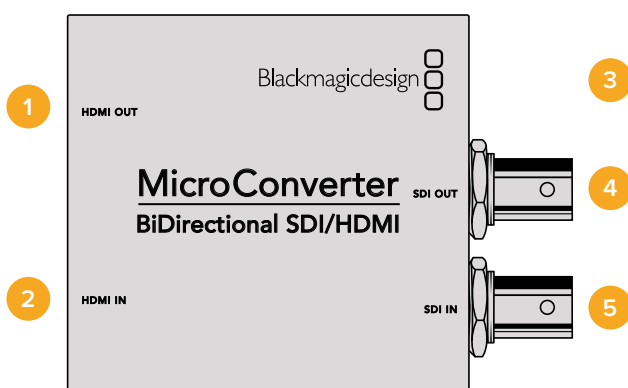
## Micro Converter BiDirectional SDI/HDMI

Модель Micro Converter BiDirectional SDI/HDMI позволяет одновременно выводить SD- или HD-сигнал с HDMI-устройств на технику с SDI-интерфейсом и наоборот вместе со встраиванием звука. Это обеспечивает передачу изображения из HDMI-источников (например, HDV-камер) по SDI-кабелю на большое расстояние, а также преобразование обратного SDI-потока при подключении техники к HDMI-оборудованию (например, телевизору с HDMI-интерфейсом).

При использовании только одного входа SDI- и HDMI-выходы становятся сквозными, что позволяет передавать поступающий сигнал на другое HDMI- или SDI-оборудование.

Модель Micro Converter BiDirectional SDI/HDMI автоматически определяет формат на входе (SD/HD/3G-SDI) и использует его на выходе.

Прочный корпус из алюминия отличается сверхкомпактными размерами, а питание поступает через порт USB. Это позволяет использовать в качестве источника энергии настольные компьютеры и телевизоры. Для подключения устройства подойдет обычный кабель USB/ Micro USB, с помощью которого заряжают мобильные телефоны. Такой кабель можно приобрести в большинстве магазинов бытовой электроники.



## Разъемы

- 1 HDMI OUT**  
HDMI-выход типа A.
- 2 HDMI IN**  
HDMI-вход типа A.

### 3 Порт Micro USB/питание

Обеспечивает питание с помощью любого устройства, поддерживающего передачу тока напряжением 5 В по кабелю USB/Micro USB (ТВ или ПК). Также служит для подключения к компьютеру с операционной системой Mac OS X или Windows и управления с помощью утилиты Blackmagic Converters Setup.

### 4 SDI OUT

SDI-выход с BNC-разъемом.

### 5 SDI IN

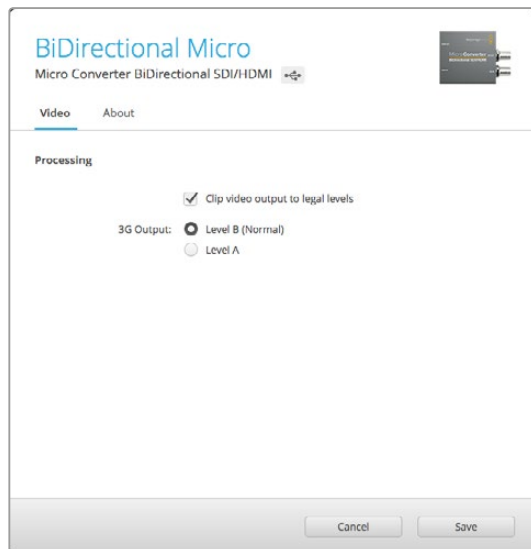
SDI-вход с BNC-разъемом.

## Настройки утилиты Blackmagic Converters Setup

Утилита Blackmagic Converters Setup позволяет менять настройки микроконвертера и обновлять его программное обеспечение. Для доступа к параметрам используют вкладки Video и About.

Работа с вкладкой About описана в разделе «Изменение настроек».

Вкладка Video для Micro Converter BiDirectional SDI/HDMI дает возможность выбрать описанные ниже опции.



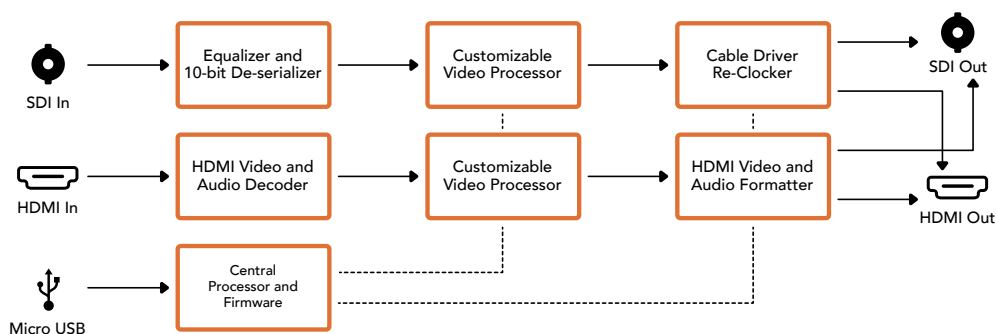
Опция “Clip video output to legal levels” используется по умолчанию. Она обеспечивает корректный вывод входящего SDI-сигнала через HDMI-интерфейс.

### Меню Processing

Опция “Clip video output to legal levels” позволяет адаптировать входящий SDI-сигнал для вывода через HDMI-интерфейс. По умолчанию она должна быть включена.

Настройка 3G Output дает возможность использовать опцию “Level A” или “Level B”. Она определяет способ вывода для сигнала 3G-SDI, чтобы обеспечить совместимость с оборудованием, которое поддерживает ввод 3G-SDI только как Level A или Level B. По умолчанию используется опция “Level B”.

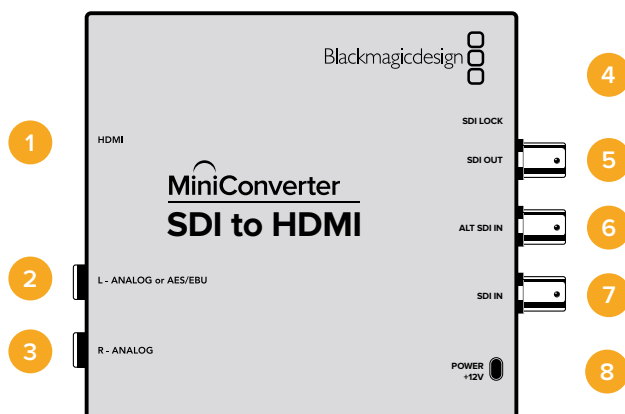
## Схема соединений Micro Converter BiDirectional SDI/HDMI



# Blackmagic Mini Converter

## Mini Converter SDI to HDMI

Этот мини-конвертер позволяет передавать изображение с SDI-оборудования на дисплеи и видеопроекторы с HDMI-интерфейсом. Модель Mini Converter SDI to HDMI автоматически выбирает SD, HD или 3G-SDI и выполняет преобразование сигнала со встраиванием звука и его выводом на балансный аналоговый или AES/EBU-выход.



## Разъемы

- 1 HDMI**  
HDMI-выход типа A.
- 2 L — ANALOG или AES/EBU**  
Балансный аналоговый (левый канал) или цифровой AES/EBU-аудиовыход с разъемом 1/4 дюйма.
- 3 R - ANALOG**  
Балансный аналоговый аудиовыход (правый канал) с разъемом 1/4 дюйма.
- 4 Порт MINI-B USB**  
Обеспечивает подключение к компьютеру с операционной системой Mac OS X или Windows для работы с утилитой Blackmagic Converters Setup. Также служит для обновления встроенного ПО мини-конвертера.
- 5 SDI OUT**  
SDI-выход с BNC-разъемом.

- 6 ALT SDI IN**  
Дополнительный SDI-вход для дублирования сигнала.
- 7 SDI IN**  
Основной SDI-вход.
- 8 POWER +12V**  
Вход питания 12 В.

## Переключатели

### Переключатель 8 — Analog Audio, AES/EBU Audio

Установите переключатель 8 в положение OFF (выкл.), чтобы выводить балансный аналоговый звук, или ON (вкл.) для использования цифрового AES/EBU-выхода.

### Переключатель 4 — SDI Audio De-Embed Bit 2

Переключатели 4, 3 и 2 позволяют использовать восемь комбинаций ON/OFF. С их помощью можно выбрать восемь разных пар аудиоканалов, которые будут выделены из входящего SDI-сигнала для вывода на HDMI-интерфейс, аналоговый или цифровой AES/EBU-разъём.

### Переключатель 3 — SDI Audio De-Embed Bit 1

См. описание переключателя 4.

### Переключатель 2 — SDI Audio De-Embed Bit 0

См. описание переключателя 4.

### Переключатель 1 — Processing Off/Processing On

Этот переключатель не используется.

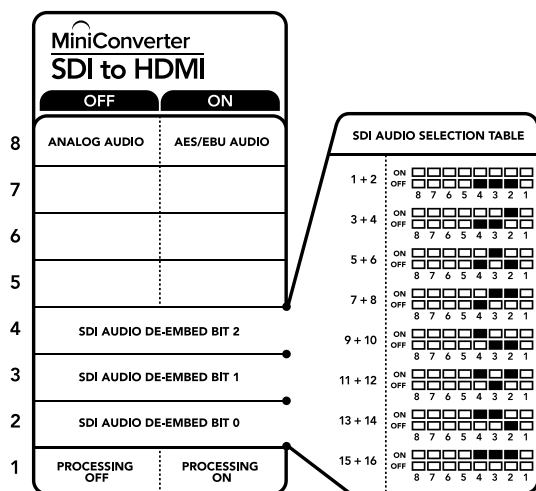


Схема на нижней поверхности корпуса содержит описание настроек, соответствующих разным положениям переключателей

### Пример настроек переключателей

Если из SDI-потока нужно выделить аудиоканалы 1 и 2 для их вывода на аналоговый выход, установите переключатели 8, 4, 3 и 2 в положение OFF (выкл.).

## Аудиоканалы SDI-сигнала

Аудиоканалы	Переключатель 4	Переключатель 3	Переключатель 2	Положение переключателя
1 и 2	OFF	OFF	OFF	ON OFF 
3 и 4	OFF	OFF	ON	ON OFF 
5 и 6	OFF	ON	OFF	ON OFF 
7 и 8	OFF	ON	ON	ON OFF 
9 и 10	ON	OFF	OFF	ON OFF 
11 и 12	ON	OFF	ON	ON OFF 
13 и 14	ON	ON	OFF	ON OFF 
15 и 16	ON	ON	ON	ON OFF 

## Настройки утилиты Blackmagic Converters Setup

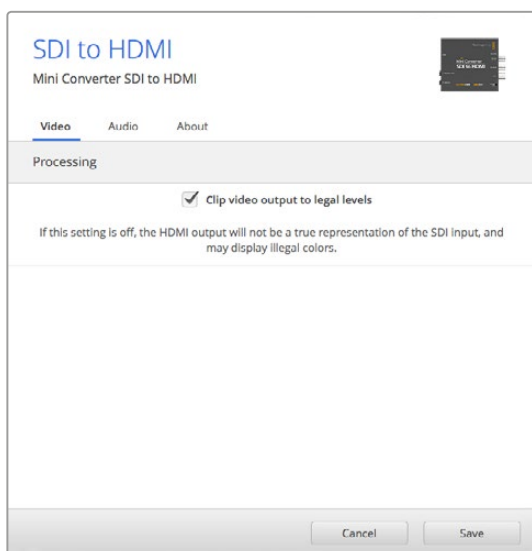
Утилита Blackmagic Converters Setup позволяет менять настройки мини-конвертера и обновлять его программное обеспечение. Для доступа к этим настройкам используют вкладки Video, Audio и About.

Работа с вкладкой About описана в разделе «Изменение настроек» данного руководства.

Вкладка Video для Mini Converter SDI to HDMI дает возможность выбрать описанные ниже опции.

### Меню Processing

Опция "Clip video output to legal levels" позволяет адаптировать входящий SDI-сигнал для вывода через HDMI-интерфейс. По умолчанию она должна быть включена.



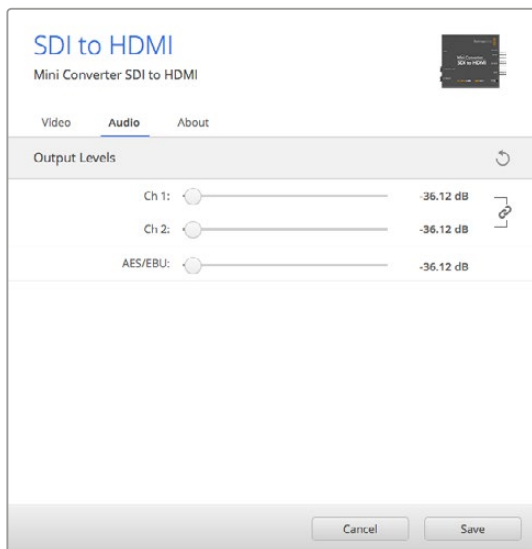
Опция "Clip video output to legal levels" используется по умолчанию. Это позволяет адаптировать сигнал для вывода через HDMI-интерфейс.

Вкладка Audio для Mini Converter SDI to HDMI дает возможность выбрать описанные ниже опции.



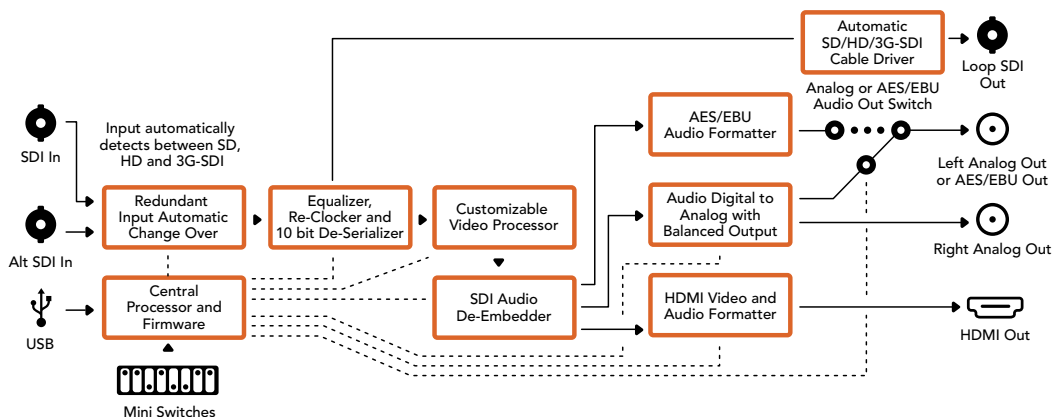
## Меню Output Levels

Это меню позволяет устанавливать уровень сигнала на аудиовыходе. Настройки можно выбрать для каждого канала по отдельности, а если нажать значок скрепки справа от слайдеров — для обоих сразу. Чтобы вернуться к значению 0 дБ для всех настроек, нажмите на значок сброса в строке Output Levels.



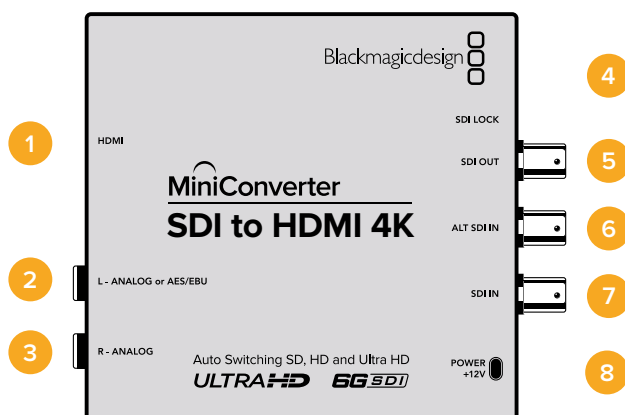
Вкладка Audio утилиты Blackmagic Converters Setup позволяет установить уровень звука

## Схема соединений Mini Converter SDI to HDMI



## Mini Converter SDI to HDMI 4K

Модель Mini Converter SDI to HDMI 4K и ее модификация SDI to HDMI 4K Heavy Duty позволяют выводить изображение с SDI-оборудования на дисплеи и видеопроекторы с HDMI-интерфейсом. Mini Converter SDI to HDMI 4K автоматически выбирает SD, HD или 3G-SDI, выполняя преобразование сигнала со встраиванием звука и его выводом на балансный аналоговый или AES/EBU-выход. Функция HDMI instant lock обеспечивает чистое переключение на HDMI-выходе при смене источников с одинаковым форматом видео. Если на SDI-вход поступает сигнал в Ultra HD, а к HDMI-выходу подключен HD-монитор или телевизор, будет автоматически выполнена понижающая конверсия. Это позволяет просматривать изображение сверхвысокой четкости на HD-экране.



## Разъемы

- 1 HDMI**  
HDMI-выход типа A.
- 2 L — ANALOG или AES/EBU**  
Балансный аналоговый (левый канал) или цифровой AES/EBU-аудиовыход с разъемом 1/4 дюйма.
- 3 R - ANALOG**  
Балансный аналоговый аудиовыход (правый канал) с разъемом 1/4 дюйма.
- 4 Порт MINI-B USB**  
Обеспечивает подключение к компьютеру с операционной системой Mac OS X или Windows для работы с утилитой Blackmagic Converters Setup. Также служит для обновления встроенного ПО мини-конвертера.
- 5 SDI OUT**  
SDI-выход с BNC-разъемом.
- 6 ALT SDI IN**  
Дополнительный SDI-вход для дублирования сигнала.
- 7 SDI IN**  
Основной SDI-вход.
- 8 POWER +12V**  
Вход питания 12 В.

## Переключатели

**СОВЕТ.** Модель Mini Converter Heavy Duty имеет резиновую крышку для защиты переключателей. Чтобы получить доступ к ним, поднимите крышку.

Mini Converter SDI to HDMI 4K имеет переключатели, с помощью которых можно выбирать различные настройки преобразования.

### Переключатель 8 — Analog Audio, AES/EBU Audio

Установите переключатель 8 в положение OFF (выкл.), чтобы выводить балансный аналоговый звук, или ON (вкл.) для использования цифрового AES/EBU-выхода.

### Переключатель 4 — SDI Audio De-Embed Bit 2

Переключатели 4, 3 и 2 позволяют использовать восемь комбинаций ON/OFF. С их помощью можно выбрать восемь разных пар аудиоканалов, которые будут выделены из входящего SDI-сигнала для вывода на HDMI-интерфейс, аналоговый или цифровой AES/EBU-разъемы.

### Переключатель 3 — SDI Audio De-Embed Bit 1

См. описание переключателя 4.

### Переключатель 2 — SDI Audio De-Embed Bit 0

См. описание переключателя 4.

### Переключатель 1 — Processing Off/Processing On

Этот переключатель не используется.

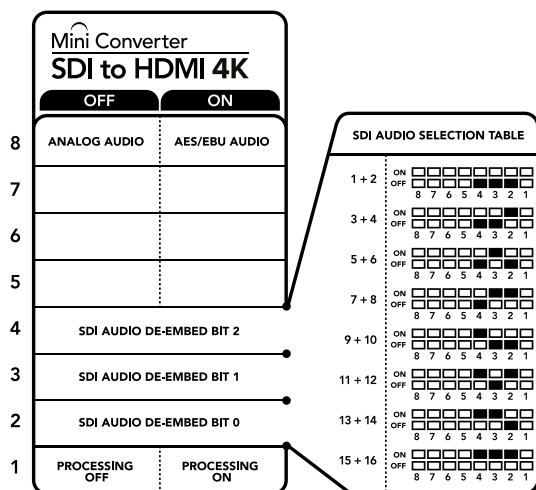


Схема на нижней поверхности корпуса содержит описание настроек, соответствующих разным положениям переключателей

### Пример настроек переключателей

Если из SDI-потока нужно выделить аудиоканалы 1 и 2 для их вывода на аналоговый выход, установите переключатели 8, 4, 3 и 2 в положение OFF (выкл.).

### Аудиоканалы SDI-сигнала

Аудиоканалы	Переключатель 4	Переключатель 3	Переключатель 2	Положение переключателя
1 и 2	OFF	OFF	OFF	ON <input type="checkbox"/> <input type="checkbox"/> <input type="checkbox"/> <input type="checkbox"/> <input type="checkbox"/> <input type="checkbox"/> <input type="checkbox"/> <input type="checkbox"/> OFF <input type="checkbox"/> <input type="checkbox"/> <input type="checkbox"/> <input type="checkbox"/> <input checked="" type="checkbox"/> <input checked="" type="checkbox"/> <input checked="" type="checkbox"/> <input checked="" type="checkbox"/>
3 и 4	OFF	OFF	ON	ON <input type="checkbox"/> <input type="checkbox"/> <input type="checkbox"/> <input type="checkbox"/> <input type="checkbox"/> <input type="checkbox"/> <input type="checkbox"/> <input type="checkbox"/> OFF <input type="checkbox"/> <input type="checkbox"/> <input type="checkbox"/> <input type="checkbox"/> <input checked="" type="checkbox"/> <input checked="" type="checkbox"/> <input checked="" type="checkbox"/> <input checked="" type="checkbox"/>
5 и 6	OFF	ON	OFF	ON <input type="checkbox"/> <input type="checkbox"/> <input type="checkbox"/> <input type="checkbox"/> <input type="checkbox"/> <input type="checkbox"/> <input type="checkbox"/> <input type="checkbox"/> OFF <input type="checkbox"/> <input type="checkbox"/> <input type="checkbox"/> <input type="checkbox"/> <input checked="" type="checkbox"/> <input checked="" type="checkbox"/> <input checked="" type="checkbox"/> <input checked="" type="checkbox"/>
7 и 8	OFF	ON	ON	ON <input type="checkbox"/> <input type="checkbox"/> <input type="checkbox"/> <input type="checkbox"/> <input type="checkbox"/> <input type="checkbox"/> <input type="checkbox"/> <input type="checkbox"/> OFF <input type="checkbox"/> <input type="checkbox"/> <input type="checkbox"/> <input type="checkbox"/> <input checked="" type="checkbox"/> <input checked="" type="checkbox"/> <input checked="" type="checkbox"/> <input checked="" type="checkbox"/>
9 и 10	ON	OFF	OFF	ON <input type="checkbox"/> <input type="checkbox"/> <input type="checkbox"/> <input type="checkbox"/> <input checked="" type="checkbox"/> <input checked="" type="checkbox"/> <input type="checkbox"/> <input type="checkbox"/> OFF <input type="checkbox"/> <input type="checkbox"/> <input type="checkbox"/> <input type="checkbox"/> <input type="checkbox"/> <input type="checkbox"/> <input type="checkbox"/> <input type="checkbox"/>
11 и 12	ON	OFF	ON	ON <input type="checkbox"/> <input type="checkbox"/> <input type="checkbox"/> <input type="checkbox"/> <input checked="" type="checkbox"/> <input checked="" type="checkbox"/> <input checked="" type="checkbox"/> <input type="checkbox"/> OFF <input type="checkbox"/> <input type="checkbox"/> <input type="checkbox"/> <input type="checkbox"/> <input type="checkbox"/> <input type="checkbox"/> <input type="checkbox"/> <input type="checkbox"/>
13 и 14	ON	ON	OFF	ON <input type="checkbox"/> <input type="checkbox"/> <input type="checkbox"/> <input type="checkbox"/> <input type="checkbox"/> <input type="checkbox"/> <input checked="" type="checkbox"/> <input checked="" type="checkbox"/> OFF <input type="checkbox"/> <input type="checkbox"/> <input type="checkbox"/> <input type="checkbox"/> <input type="checkbox"/> <input type="checkbox"/> <input type="checkbox"/> <input type="checkbox"/>
15 и 16	ON	ON	ON	ON <input type="checkbox"/> <input type="checkbox"/> <input type="checkbox"/> <input type="checkbox"/> <input type="checkbox"/> <input type="checkbox"/> <input checked="" type="checkbox"/> <input checked="" type="checkbox"/> OFF <input type="checkbox"/> <input type="checkbox"/> <input type="checkbox"/> <input type="checkbox"/> <input type="checkbox"/> <input type="checkbox"/> <input type="checkbox"/> <input type="checkbox"/>

## Настройки утилиты Blackmagic Converters Setup

Утилита Blackmagic Converters Setup позволяет менять настройки мини-конвертера и обновлять его программное обеспечение. Для доступа к этим настройкам используют вкладки Video, Audio и About.

Работа с вкладкой About описана в разделе «Изменение настроек» данного руководства.

Вкладка Video для Mini Converter SDI to HDMI 4K дает возможность выбрать описанные ниже опции.



Опция “Clip video output to legal levels” используется по умолчанию. Это позволяет адаптировать сигнал для вывода через HDMI-интерфейс.

### Меню Processing

- **HDMI instant lock**

Поставьте флажок, чтобы активировать функцию HDMI instant lock. После этого даже при смене источников сигнал будет поступать на HDMI-выход без перерыва, т. е. при выводе изображения на экран HDMI-телевизора или монитора повторная установка соединения с принимающим устройством не выполняется. Функция работает только в тех случаях, когда поступающее из источников видео имеет одинаковый стандарт.

При использовании функции HDMI instant lock возникает небольшое отставание звука от изображения. Если на выходе необходимо иметь полную синхронизацию видео и аудио, снимите флажок для этой опции.

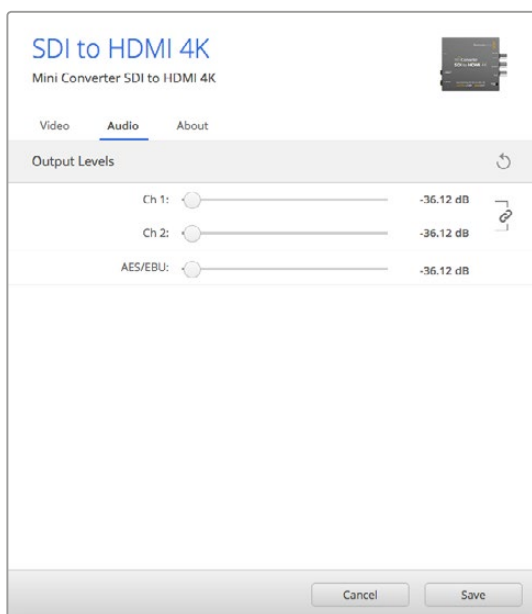
- **Clip video output to legal levels**

Эта опция позволяет адаптировать входящий SDI-сигнал для вывода через HDMI-интерфейс. По умолчанию она должна быть включена.

### Меню Output Levels

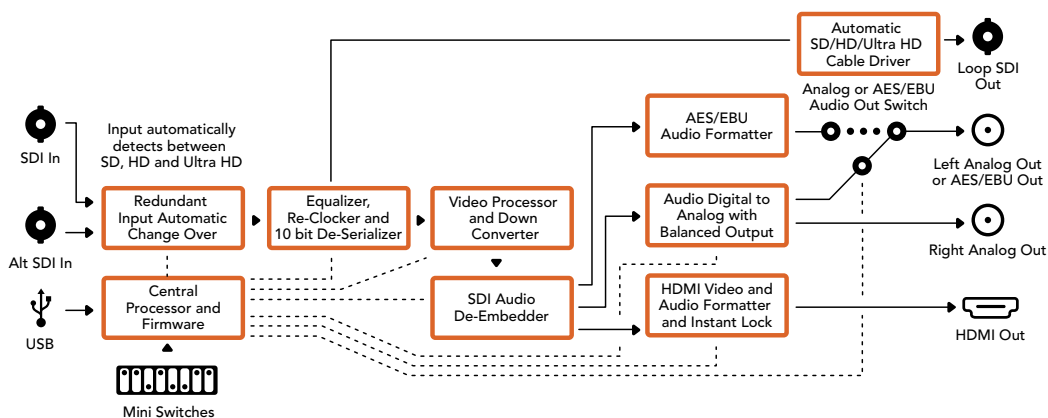
Это меню позволяет устанавливать уровень сигнала на аудиовыходе. Настройки можно выбрать для каждого канала по отдельности, а если нажать значок скрепки справа от слайдеров — для обоих сразу. Чтобы вернуться к значению 0 дБ для всех настроек, нажмите на значок сброса в строке Output Levels.

Вкладка Audio для Mini Converter SDI to HDMI 4K дает возможность выбрать описанные ниже опции.



Вкладка Audio утилиты Blackmagic Converters Setup позволяет установить уровень звука

## Схема соединений Mini Converter SDI to HDMI 4K

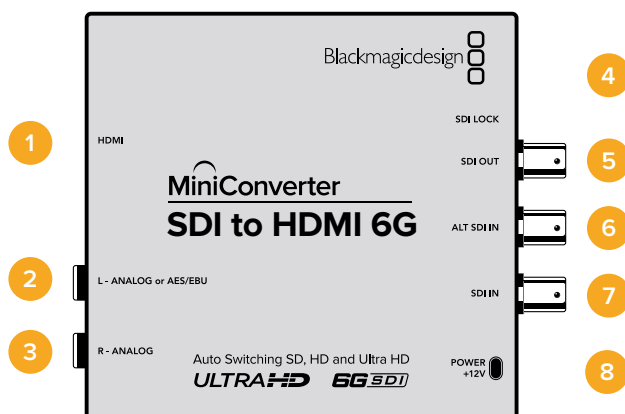


## Mini Converter SDI to HDMI 6G

Этот мини-конвертер позволяет выводить изображение с SDI-оборудования на дисплеи и видеопроекторы с HDMI-интерфейсом. Mini Converter SDI to HDMI 6G автоматически переключается между SD-SDI, HD-SDI, 3G-SDI и 6G-SDI на входе, обеспечивая преобразование в HDMI-сигнал со встроенным звуком, а также выводит аудио на балансный AES/EBU- или аналоговый выход.

Функция HDMI instant lock обеспечивает чистое переключение на HDMI-выходе при смене источников с одинаковым форматом видео. Если на SDI-вход поступает сигнал в Ultra HD, а к HDMI-выходу подключен HD-монитор или телевизор, будет автоматически выполнена понижающая конверсия. Это позволяет просматривать изображение сверхвысокой четкости на HD-экране.

Для цветовой обработки сигнала на выходе можно использовать 3D LUT-таблицы. Они представляют собой матрицы на основе 33 координатных точек, которые позволяют на аппаратном уровне выполнять манипуляции с цветом и проводить калибровку бытовых телевизоров перед грейдингом. С помощью 3D LUT-таблицы легко выполнить преобразование цветового пространства для работы с разными дисплеями. Mini Converter SDI to HDMI 6G имеет две предустановленные LUT-таблицы: для преобразования цветного изображения в черно-белое и для конвертирования видео с камер Blackmagic в цветное пространство REC 709.



## Разъемы

### 1 HDMI

HDMI-выход типа A.

### 2 L — ANALOG или AES/EBU

Балансный аналоговый (левый канал) или цифровой AES/EBU-аудиовыход с разъемом 1/4 дюйма.

### 3 R — ANALOG

Балансный аналоговый аудиовыход (правый канал) с разъемом 1/4 дюйма.

### 4 Порт MINI-B USB

Обеспечивает подключение к компьютеру с операционной системой Mac OS X или Windows для работы с утилитой Blackmagic Converters Setup. Также служит для обновления встроенного ПО мини-конвертера.

### 5 SDI OUT

SDI-выход с BNC-разъемом.

### 6 ALT SDI IN

Дополнительный SDI-вход для дублирования сигнала.

### 7 SDI IN

Основной SDI-вход.

### 8 POWER +12V

Вход питания 12 В.

## Переключатели

Mini Converter SDI to HDMI 6G имеет переключатели, с помощью которых можно выбирать различные настройки преобразования.

### Переключатель 8 — Analog Audio, AES/EBU Audio

Установите переключатель 8 в положение OFF (выкл.), чтобы выводить балансный аналоговый звук, или ON (вкл.) для использования цифрового AES/EBU-выхода.

### Переключатель 7 — включение и отключение LUT-таблицы

Установите переключатель 7 в положение OFF (выкл.), чтобы отключить LUT-таблицу, или в положение ON (вкл.) для ее включения.

### Переключатель 6 — выбор LUT 1 или LUT 2

Установите переключатель 6 в положение OFF (выкл.), чтобы использовать таблицу LUT 1, или в положение ON (вкл.), чтобы выбрать таблицу LUT 2.

### Переключатель 5 — включение и отключение LUT-таблицы на сквозном выходе

Установите переключатель 5 в положение OFF (выкл.), чтобы отключить LUT-таблицу на сквозном выходе, или в положение ON (вкл.), чтобы использовать LUT-таблицу на этом выходе.

### Переключатель 4 — SDI Audio De-Embed Bit 2

Переключатели 4, 3 и 2 позволяют использовать восемь комбинаций ON/OFF. С их помощью можно выбрать восемь разных пар аудиоканалов, которые будут выделены из входящего SDI-сигнала для вывода на HDMI-интерфейс, аналоговый или цифровой AES/EBU-разъём.

### Переключатель 3 — SDI Audio De-Embed Bit 1

См. описание переключателя 4.

### Переключатель 2 — SDI Audio De-Embed Bit 0

См. описание переключателя 4.

### Переключатель 1 — включение и отключение функции HDMI instant lock

Установите переключатель 1 в положение OFF (выкл.), чтобы отключить функцию HDMI instant lock, или в положение ON (вкл.), чтобы использовать эту функцию.

Во втором режиме даже при смене источников сигнал будет поступать на HDMI-выход без перерыва, т. е. при выводе изображения на экран HDMI-телевизора или монитора повторная установка соединения с принимающим устройством не требуется. Функция работает только в тех случаях, когда поступающее из источников видео имеет одинаковый стандарт.

При использовании функции HDMI instant lock возникает небольшое отставание звука от изображения. Если на выходе необходимо иметь полную синхронизацию видео и аудио, отключите эту опцию.

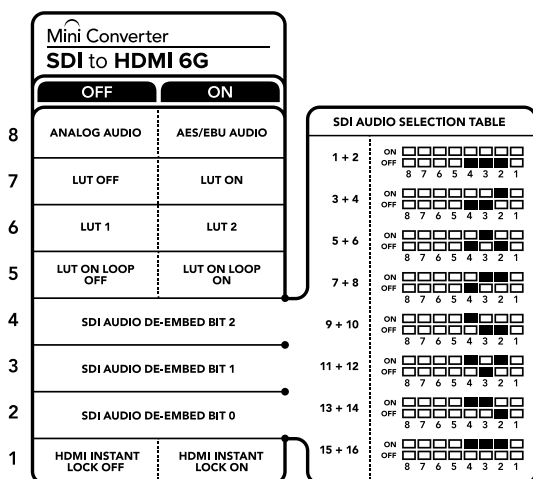


Схема на нижней поверхности корпуса содержит описание настроек, соответствующих разным положениям переключателей

### Пример настроек переключателей

Если из SDI-потока нужно выделить аудиоканалы 1 и 2 для их вывода на аналоговый выход, установите переключатели 8, 4, 3 и 2 в положение OFF (выкл.).

## Аудиоканалы SDI-сигнала

Аудиоканалы	Переключатель 4	Переключатель 3	Переключатель 2	Положение переключателя
1 and 2	OFF	OFF	OFF	ON <input type="checkbox"/> <input type="checkbox"/> <input type="checkbox"/> <input type="checkbox"/> <input type="checkbox"/> <input type="checkbox"/> <input type="checkbox"/> <input type="checkbox"/> OFF <input type="checkbox"/> <input type="checkbox"/> <input type="checkbox"/> <input type="checkbox"/> <input type="checkbox"/> <input type="checkbox"/> <input checked="" type="checkbox"/> <input checked="" type="checkbox"/> 8 7 6 5 4 3 2 1
3 and 4	OFF	OFF	ON	ON <input type="checkbox"/> <input type="checkbox"/> <input type="checkbox"/> <input type="checkbox"/> <input type="checkbox"/> <input type="checkbox"/> <input type="checkbox"/> <input type="checkbox"/> OFF <input type="checkbox"/> <input type="checkbox"/> <input type="checkbox"/> <input type="checkbox"/> <input checked="" type="checkbox"/> <input checked="" type="checkbox"/> <input type="checkbox"/> <input type="checkbox"/> 8 7 6 5 4 3 2 1
5 and 6	OFF	ON	OFF	ON <input type="checkbox"/> <input type="checkbox"/> <input type="checkbox"/> <input type="checkbox"/> <input type="checkbox"/> <input type="checkbox"/> <input checked="" type="checkbox"/> <input checked="" type="checkbox"/> OFF <input type="checkbox"/> <input type="checkbox"/> <input type="checkbox"/> <input type="checkbox"/> <input type="checkbox"/> <input type="checkbox"/> <input type="checkbox"/> <input type="checkbox"/> 8 7 6 5 4 3 2 1
7 and 8	OFF	ON	ON	ON <input type="checkbox"/> <input type="checkbox"/> <input type="checkbox"/> <input type="checkbox"/> <input type="checkbox"/> <input type="checkbox"/> <input checked="" type="checkbox"/> <input checked="" type="checkbox"/> OFF <input type="checkbox"/> <input type="checkbox"/> <input type="checkbox"/> <input type="checkbox"/> <input type="checkbox"/> <input type="checkbox"/> <input type="checkbox"/> <input type="checkbox"/> 8 7 6 5 4 3 2 1
9 and 10	ON	OFF	OFF	ON <input type="checkbox"/> <input type="checkbox"/> <input type="checkbox"/> <input checked="" type="checkbox"/> <input checked="" type="checkbox"/> <input type="checkbox"/> <input type="checkbox"/> <input type="checkbox"/> OFF <input type="checkbox"/> <input type="checkbox"/> <input type="checkbox"/> <input type="checkbox"/> <input type="checkbox"/> <input type="checkbox"/> <input type="checkbox"/> <input type="checkbox"/> 8 7 6 5 4 3 2 1
11 and 12	ON	OFF	ON	ON <input type="checkbox"/> <input type="checkbox"/> <input type="checkbox"/> <input checked="" type="checkbox"/> <input checked="" type="checkbox"/> <input type="checkbox"/> <input type="checkbox"/> <input type="checkbox"/> OFF <input type="checkbox"/> <input type="checkbox"/> <input type="checkbox"/> <input type="checkbox"/> <input type="checkbox"/> <input type="checkbox"/> <input type="checkbox"/> <input type="checkbox"/> 8 7 6 5 4 3 2 1
13 and 14	ON	ON	OFF	ON <input type="checkbox"/> <input type="checkbox"/> <input type="checkbox"/> <input checked="" type="checkbox"/> <input checked="" type="checkbox"/> <input type="checkbox"/> <input type="checkbox"/> <input type="checkbox"/> OFF <input type="checkbox"/> <input type="checkbox"/> <input type="checkbox"/> <input type="checkbox"/> <input type="checkbox"/> <input type="checkbox"/> <input type="checkbox"/> <input type="checkbox"/> 8 7 6 5 4 3 2 1
15 and 16	ON	ON	ON	ON <input type="checkbox"/> <input type="checkbox"/> <input type="checkbox"/> <input checked="" type="checkbox"/> <input checked="" type="checkbox"/> <input type="checkbox"/> <input type="checkbox"/> <input type="checkbox"/> OFF <input type="checkbox"/> <input type="checkbox"/> <input type="checkbox"/> <input type="checkbox"/> <input type="checkbox"/> <input type="checkbox"/> <input type="checkbox"/> <input type="checkbox"/> 8 7 6 5 4 3 2 1

## Настройки утилиты Blackmagic Converters Setup

Утилита Blackmagic Converters Setup позволяет менять настройки мини-конвертера и обновлять его программное обеспечение. Для доступа к этим настройкам используют вкладки Video, Audio и About. Работа с вкладкой About описана в разделе «Изменение настроек» данного руководства.

Вкладка Video для Mini Converter SDI to HDMI 6G дает возможность выбрать описанные ниже опции.



Опция “Clip video output to legal levels” используется по умолчанию.

Это позволяет адаптировать сигнал для вывода через HDMI-интерфейс.



## Меню Processing

### ▪ 3D LUT на основе 33 точек

Mini Converter SDI to HDMI 6G поддерживает работу с файлами .cube, которые можно создать с помощью DaVinci Resolve или другого приложения для цветокоррекции.

Конвертер позволяет загрузить две разные LUT-таблицы. Для этого нажмите соответствующую кнопку Load, выберите файл .cube на компьютере и нажмите OK. Нажмите Save, чтобы подтвердить выбор. Имена файлов отображаются рядом с кнопкой Load, поэтому вы всегда будете знать, какие из них используются для опций LUT 1 и LUT 2.

### ▪ Трехмерная LUT-таблица

3D LUT — это файл с трехмерной таблицей значений для изменения цветового пространства.

Массив данных содержит точки, используемые для преобразования каждого основного цвета с помощью координат X, Y и Z. Таким образом, для существующих значений красного, зеленого и синего каналов на SDI-входе можно задать новые значения на HDMI-выходе. Подобная функция является мощным инструментом для исключительно точной калибровки дисплеев и загрузки кривых гамма-распределения, когда необходимо оценить линейную гамму при работе с различными типами файлов RAW.

Одна из загружаемых по умолчанию трехмерных LUT-таблиц позволяет конвертировать цветное видео на входе в черно-белое на выходе. Все значения красного, зеленого и синего каналов в поступающем сигнале получают значения, соответствующие черно-белому изображению в исходящем сигнале. Приложение DaVinci Resolve дает возможность сохранить цветовую схему в виде LUT-таблицы и импортировать ее на Mini Converter SDI to HDMI 6G с помощью программной утилиты. Также допускается применение 3D LUT-таблицы на сквозном SDI-выходе. в этом случае конвертер выполняет цветовую обработку без использования HDMI-выхода.

Подробнее о создании файла .cube см. руководство по DaVinci Resolve, которое можно найти на веб-сайте Blackmagic Design по адресу [www.blackmagicdesign.com/ru/support](http://www.blackmagicdesign.com/ru/support).

### ▪ Clip video output to legal levels

Эта опция позволяет адаптировать входящий SDI-сигнал для вывода через HDMI-интерфейс. По умолчанию она должна быть включена.

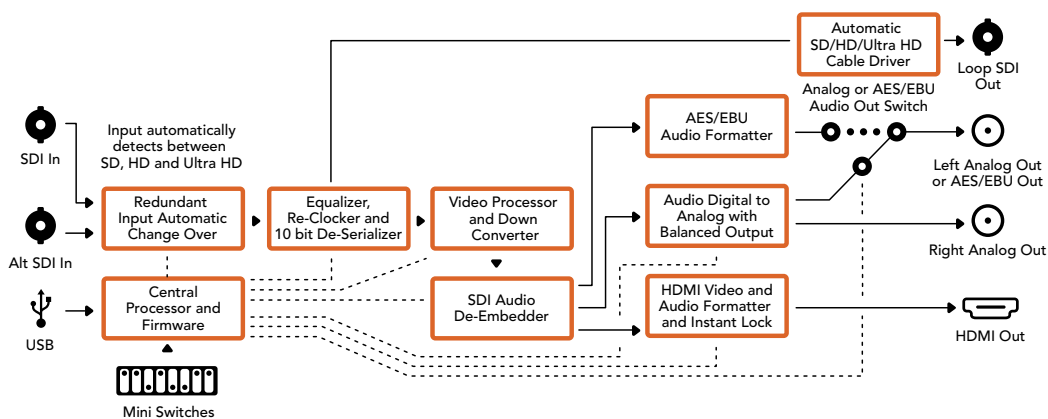
## Меню Output Levels

Это меню позволяет устанавливать уровень сигнала на аудиовыходе. Настройки можно выбрать для каждого канала по отдельности, а если нажать значок скрепки справа от слайдеров — для обоих сразу. Чтобы вернуться к значению 0 дБ для всех настроек, нажмите на значок сброса в строке Output Levels. Вкладка Audio для Mini Converter SDI to HDMI 6G дает возможность выбрать описанные ниже опции.



Вкладка Audio утилиты Blackmagic Converters Setup позволяет установить уровень звука

### Схема соединений Mini Converter SDI to HDMI 6G



### Mini Converter HDMI to SDI

Модель обеспечивает вывод HDMI-сигнала игровых консолей и HDV-камер на устройства с SDI-интерфейсом, а также позволяет встраивать звук, полученный с HDMI-, AES/EBU- или балансного аналогового входов. Благодаря этому можно передавать изображение из HDMI-источника по SDI-кабелю на большое расстояние, а также подключать компьютер к SDI-оборудованию. Конвертер дополнительно поддерживает понижающую конверсию из HD в SD.



## Разъемы

- 1 HDMI**  
HDMI-вход типа A.
- 2 L — ANALOG или AES/EBU**  
Балансный аналоговый (левый канал) или цифровой AES/EBU-аудиовход с разъемом 1/4 дюйма.
- 3 R - ANALOG**  
Балансный аналоговый аудиовход (правый канал) с разъемом 1/4 дюйма.
- 4 Порт MINI-B USB**  
Обеспечивает подключение к компьютеру с операционной системой Mac OS X или Windows для работы с утилитой Blackmagic Converters Setup. Также служит для обновления встроенного ПО мини-конвертера.
- 5 SDI OUT**  
SDI-выход с BNC-разъемом.
- 6 SDI OUT**  
Второй SDI-выход.
- 7 POWER +12V**  
Вход питания 12 В.

## Переключатели

Mini Converter HDMI to SDI имеет переключатели, с помощью которых можно выбирать различные настройки преобразования.

### Переключатель 8 — Analog Audio, AES/EBU Audio

Установите переключатель 8 в положение OFF (выкл.), чтобы выбрать балансный аналоговый звук, или ON (вкл.) для использования AES/EBU-входа. Чтобы работать с этими входами, переключатель 7 должен быть установлен в положение ON (вкл.).

### Переключатель 7 — HDMI Audio, Input Audio

Установите переключатель 7 в положение OFF (выкл.), чтобы использовать звук, встроенный в HDMI-сигнал. Для работы с аналоговым или AES/EBU-аудио выберите положение ON (вкл.).

### Переключатель 1 — Processing Off/Processing On

Переключатель 1 позволяет выбирать пропорции кадра при выполнении понижающей конверсии из HD в SD. Например, при каждой установке переключателя в положение ON (вкл.) используется один из трех режимов: anamorphic, center cut или letterbox. При положении OFF (выкл.) понижающая конверсия не выполняется, поэтому на выход поступает HD-сигнал.

При подключении к компьютеру через порт USB настройками управляют с помощью утилиты Blackmagic Converters Setup. Если необходимо сохранить выбранный режим, отсоедините конвертер от компьютера, отключите и снова включите питание, а затем установите настройки понижающей конверсии с помощью переключателя 1.

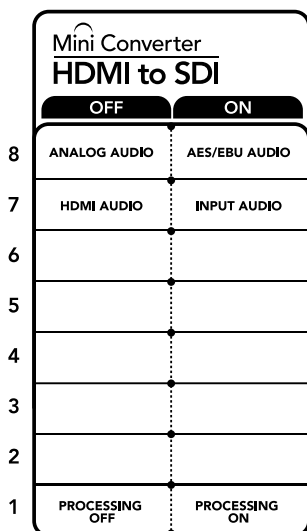


Схема на нижней поверхности корпуса содержит описание настроек, соответствующих разным положениям переключателей

## Настройки утилиты Blackmagic Converters Setup

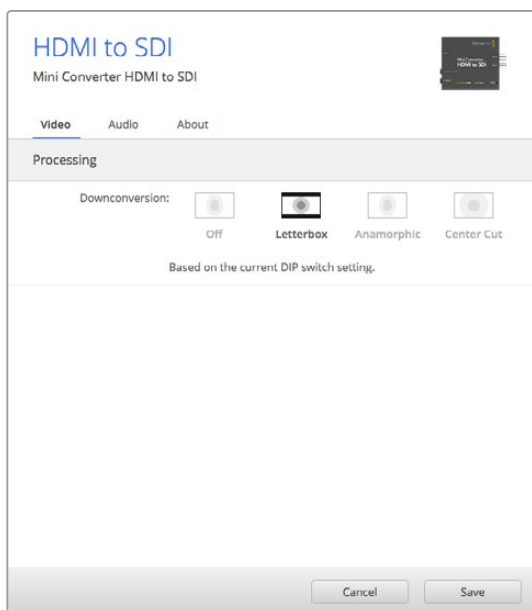
Утилита Blackmagic Converters Setup позволяет менять настройки мини-конвертера и обновлять его программное обеспечение. Для доступа к этим настройкам используют вкладки Video, Audio и About.

Работа с вкладкой About описана в разделе «Изменение настроек» данного руководства.

Вкладка Video для Mini Converter HDMI to SDI дает возможность выбрать описанные ниже опции.

### Меню Processing

Это меню позволяет выбирать пропорции кадра при выполнении понижающей конверсии из HD в SD. Доступные опции: Letterbox, Anamorphic, Center Cut и OFF (выкл.).

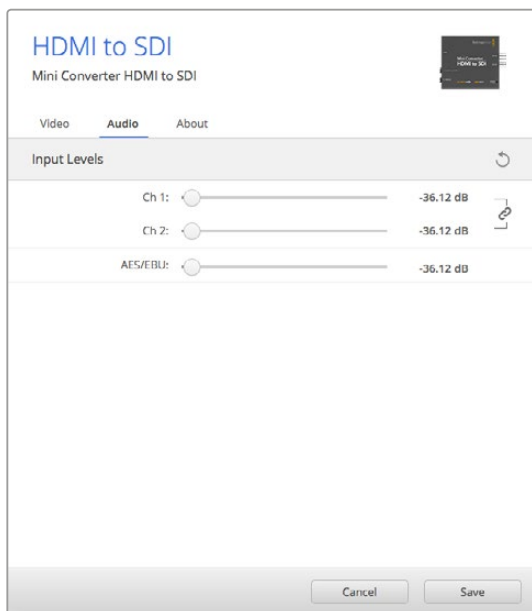


Вкладка Video утилиты Blackmagic Converters Setup позволяет выбрать настройки преобразования

Вкладка Audio для Mini Converter HDMI to SDI дает возможность выбрать описанные ниже опции.

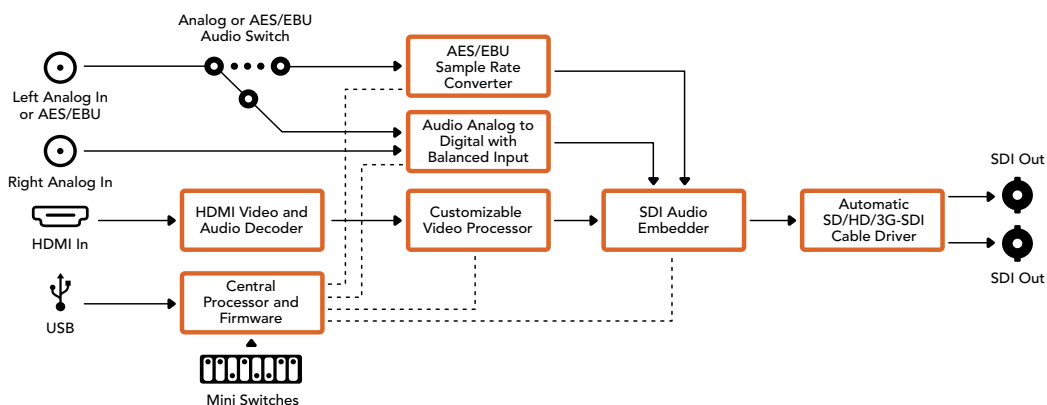
### Меню Input Levels

Это меню позволяет устанавливать уровень сигнала на аудиовходе. Настройки можно выбрать для каждого канала по отдельности, а если нажать значок скрепки справа от слайдеров — для обоих сразу. Чтобы вернуться к значению 0 дБ для всех настроек, нажмите на значок сброса в строке Input Levels.



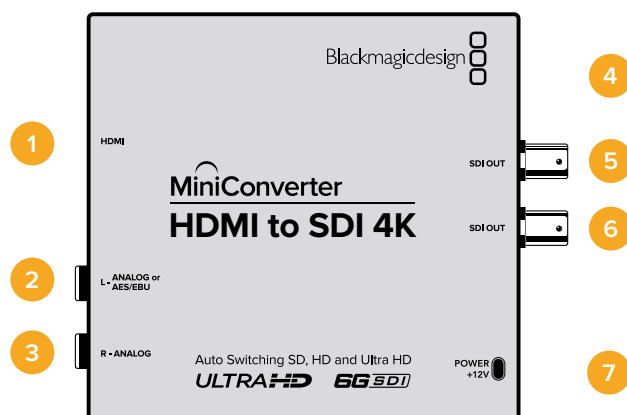
Вкладка Audio утилиты Blackmagic Converters Setup позволяет установить уровень звука

### Схема соединений Mini Converter HDMI to SDI



### Mini Converter HDMI to SDI 4K

Модель Mini Converter HDMI to SDI 4K и ее модификация HDMI to SDI 4K Heavy Duty обеспечивают вывод HDMI-сигнала игровых консолей и HDV-камер на устройства с SDI-интерфейсом, а также позволяют встраивать звук, полученный с HDMI-, AES/EBU- или балансного аналогового входов. Благодаря этому можно передавать изображение из HDMI-источника по SDI-кабелю на большое расстояние, а также подключать компьютер к SDI-оборудованию.



## Разъемы

- 1 HDMI**  
HDMI-вход типа A.
- 2 L — ANALOG или AES/EBU**  
Балансный аналоговый аудиовход (левый канал) или цифровой аудиовход AES/EBU с разъемом 1/4 дюйма.
- 3 R - ANALOG**  
Балансный аналоговый аудиовход (правый канал) с разъемом 1/4 дюйма.
- 4 Порт MINI-B USB**  
Обеспечивает подключение к компьютеру с операционной системой Mac OS X или Windows для работы с утилитой Blackmagic Converters Setup. Также служит для обновления встроенного ПО мини-конвертера.
- 5 SDI OUT**  
SDI-выход с BNC-разъемом.
- 6 SDI OUT**  
Второй SDI-выход.
- 7 POWER +12V**  
Вход питания 12 В.

## Переключатели

**СОВЕТ.** Модель Mini Converter Heavy Duty имеет резиновую крышку для защиты переключателей. Чтобы получить доступ к ним, поднимите крышку.

Mini Converter HDMI to SDI 4K имеет переключатели, с помощью которых можно выбирать различные настройки преобразования.

### Переключатель 8 — Analog Audio, AES/EBU Audio

Установите переключатель 8 в положение OFF (выкл.), чтобы выбрать балансный аналоговый звук, или ON (вкл.) для использования AES/EBU-входа. Чтобы работать с этими входами, переключатель 7 должен быть установлен в положение ON (вкл.).

### Переключатель 7 — HDMI Audio, Input Audio

Установите переключатель 7 в положение OFF (выкл.), чтобы использовать звук, встроенный в HDMI-сигнал. Для работы с аналоговым или AES/EBU-аудио выберите положение ON (вкл.).

### Переключатели 2, 1 — Select Format Bit 1,0

При подключении HDMI-источника, способного выводить Ultra HD и HD, эта настройка помогает принудительно использовать нужную четкость. Эта опция может быть полезной, когда изображение с компьютера необходимо записать или просмотреть на SDI-оборудовании в HD-разрешении.

Хотя получаемый эффект похож на повышающую или понижающую конверсию, на самом деле конвертер отправляет источнику команду выводить видео в Ultra HD или HD. В этом случае поступающий сигнал передается на выход без дополнительного преобразования.

Используя определенную комбинацию переключателей 1 и 2, можно выбрать принудительный вывод в HD или Ultra HD либо автоматическое определение оптимального разрешения.

Ниже описаны возможные варианты настройки.

#### **AUTO — переключатели 1 и 2 в положении OFF (выкл.).**

Конвертер автоматически определяет оптимальное разрешение (HD или Ultra HD) в зависимости от технических характеристик источника сигнала.

#### **FORCE TO HD — переключатель 1 в положении OFF (выкл.), переключатель 2 в положении ON (вкл.).**

Если HDMI-источник поддерживает вывод в HD и Ultra HD, конвертер будет получать HD-сигнал.

#### **FORCE TO ULTRA HD — переключатель 1 в положении ON (вкл.), переключатель 2 в положении OFF (выкл.).**

Если HDMI-источник поддерживает вывод в HD и Ultra HD, конвертер будет получать Ultra HD-сигнал.

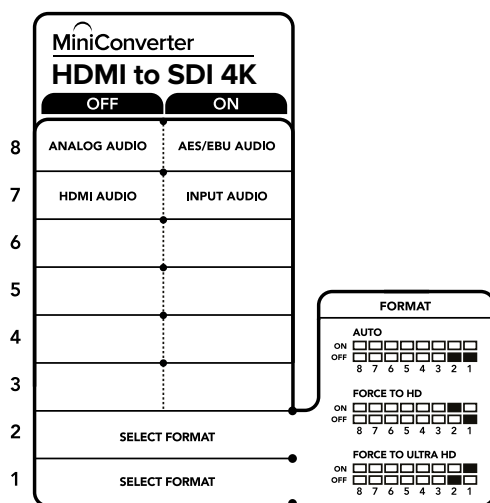


Схема на нижней поверхности корпуса содержит описание настроек, соответствующих разным положениям переключателей

## Настройки утилиты Blackmagic Converters Setup

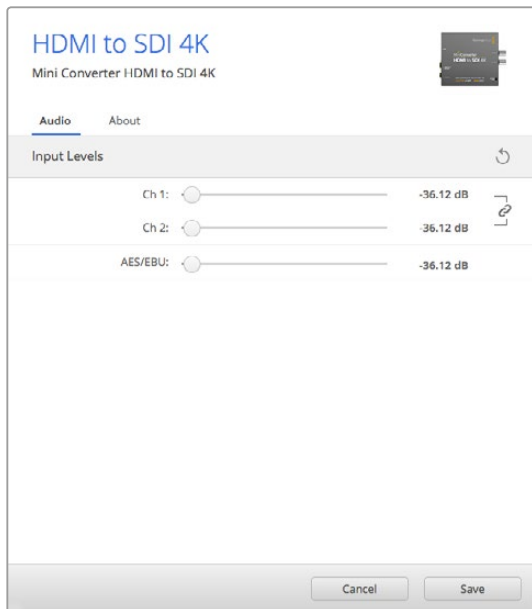
Утилита Blackmagic Converters Setup позволяет менять настройки мини-конвертера и обновлять его программное обеспечение. Для доступа к этим настройкам используют вкладки Audio и About.

Работа с вкладкой About описана в разделе «Изменение настроек» данного руководства.

Вкладка Audio для Mini Converter HDMI to SDI 4K дает возможность выбрать описанные ниже опции.

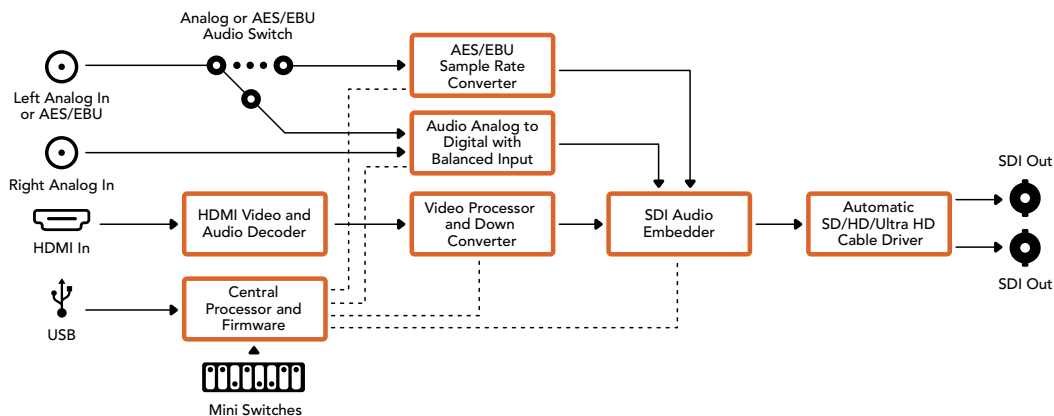
## Меню Input Levels

Это меню позволяет устанавливать уровень сигнала на аудиовходе. Настройки можно выбрать для каждого канала по отдельности, а если нажать значок скрепки справа от слайдеров — для обоих сразу. Чтобы вернуться к значению 0 дБ для всех настроек, нажмите на значок сброса в строке Input Levels.



Вкладка Audio утилиты Blackmagic Converters Setup позволяет установить уровень звука

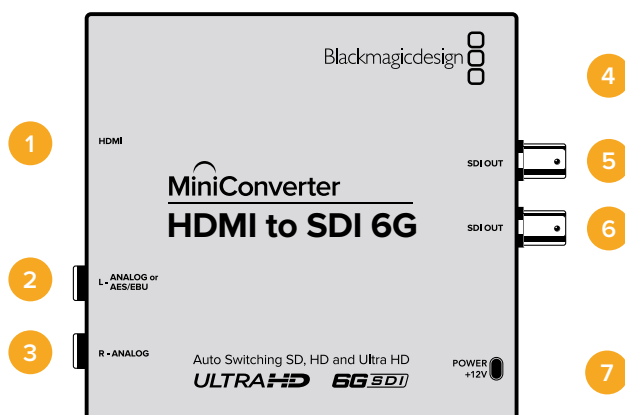
## Схема соединений Mini Converter HDMI to SDI 4K



## Mini Converter HDMI to SDI 6G

Модель обеспечивает вывод HDMI-сигнала игровых консолей и HDV-камер на устройства с SDI-интерфейсом, а также позволяет встраивать звук, полученный с HDMI-, AES/EBU- или балансного аналогового входов. Благодаря этому можно передавать изображение из HDMI-источника по SDI-кабелю на большое расстояние, а также подключать компьютер к SDI-оборудованию.





## Разъемы

- 1 HDMI**  
HDMI-вход типа A.
- 2 L — ANALOG или AES/EBU**  
Балансный аналоговый аудиовход (левый канал) или цифровой аудиовход AES/EBU с разъемом 1/4 дюйма.
- 3 R — ANALOG**  
Балансный аналоговый аудиовход (правый канал) с разъемом 1/4 дюйма.
- 4 Порт MINI-B USB**  
Обеспечивает подключение к компьютеру с операционной системой Mac OS X или Windows для работы с утилитой Blackmagic Converters Setup. Также служит для обновления встроенного ПО мини-конвертера.
- 5 SDI OUT**  
SDI-выход с BNC-разъемом.
- 6 SDI OUT**  
Второй SDI-выход.
- 7 POWER +12V**  
Вход питания 12 В.

## Переключатели

Mini Converter HDMI to SDI 6G имеет переключатели, с помощью которых можно выбирать различные настройки преобразования.

### Переключатель 8 — Analog Audio, AES/EBU Audio

Установите переключатель 8 в положение OFF (выкл.), чтобы выбрать балансный аналоговый звук, или ON (вкл.) для использования AES/EBU-входа. Чтобы работать с этими входами, переключатель 7 должен быть установлен в положение ON (вкл.).

### Переключатель 7 — HDMI Audio, Input Audio

Установите переключатель 7 в положение OFF (выкл.), чтобы использовать звук, встроенный в HDMI-сигнал. Для работы с аналоговым или AES/EBU-аудио выберите положение ON (вкл.).

### Переключатель 6 — выбор уровня при выводе 3G-сигнала

Установите переключатель 6 в положение OFF (выкл.), чтобы использовать Level B, или ON (вкл.) для работы с Level A.

### Переключатели 2, 1 — Select Format Bit 1,0

При подключении HDMI-источника, способного выводить Ultra HD и HD, данная настройка помогает принудительно использовать нужную четкость. Эта опция может быть полезной, когда изображение с компьютера необходимо записать или просмотреть на SDI-оборудовании в HD-разрешении.

Хотя получаемый эффект похож на повышающую или понижающую конверсию, на самом деле конвертер отправляет источнику команду выводить видео в Ultra HD или HD. В этом случае поступающий сигнал передается на выход без дополнительного преобразования.

Используя определенную комбинацию переключателей 1 и 2, можно выбрать принудительный вывод в HD или Ultra HD либо автоматическое определение оптимального разрешения.

Ниже описаны возможные варианты настройки.

### AUTO — переключатели 1 и 2 в положении OFF (выкл.)

Конвертер автоматически определяет оптимальное разрешение (HD или Ultra HD) в зависимости от технических характеристик источника сигнала.

### FORCE TO HD — переключатель 1 в положении OFF (выкл.), переключатель 2 в положении ON (вкл.)

Если HDMI-источник поддерживает вывод в HD и Ultra HD, конвертер будет получать HD-сигнал.

### FORCE TO ULTRA HD — переключатель 1 в положении ON (вкл.), переключатель 2 в положении OFF (выкл.)

Если HDMI-источник поддерживает вывод в HD и Ultra HD, конвертер будет получать Ultra HD-сигнал.

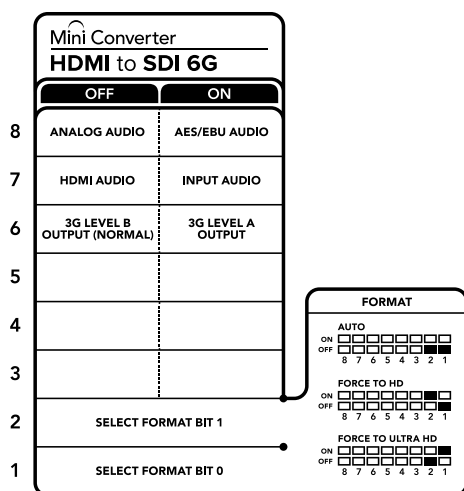


Схема на нижней поверхности корпуса содержит описание настроек, соответствующих разным положениям переключателей

## Настройки утилиты Blackmagic Converters Setup

Утилита Blackmagic Converters Setup позволяет менять настройки мини-конвертера и обновлять его программное обеспечение. Для доступа к этим настройкам используют вкладки Audio и About. Работа с вкладкой About описана в разделе «Изменение настроек» данного руководства. Вкладка Audio для Mini Converter HDMI to SDI 6G дает возможность выбрать описанные ниже опции.

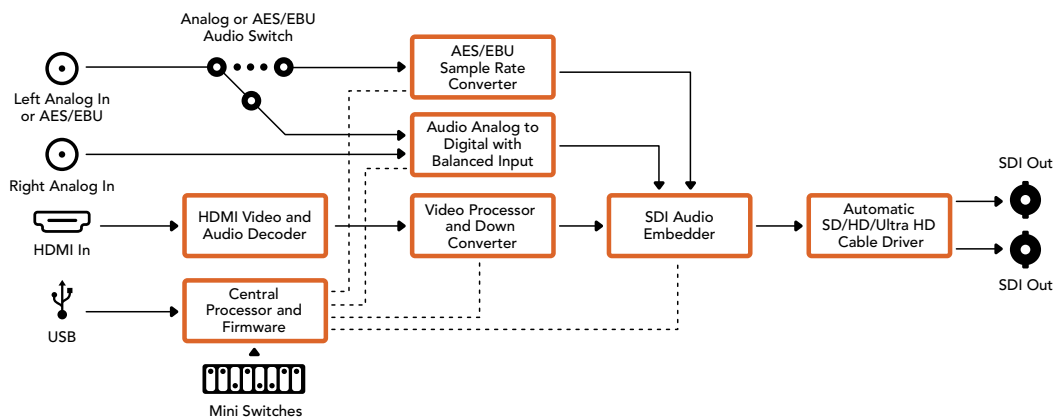
## Меню Input Levels

Это меню позволяет устанавливать уровень сигнала на аудиовходе. Настройки можно выбрать для каждого канала по отдельности, а если нажать значок скрепки справа от слайдеров — для обоих сразу. Чтобы вернуться к значению 0 дБ для всех настроек, нажмите на значок сброса в строке Input Levels.



Вкладка Audio утилиты Blackmagic Converters Setup позволяет установить уровень звука

## Схема соединений Mini Converter HDMI to SDI 6G



## Mini Converter SDI to Analog

Модель Blackmagic Mini Converter SDI to Analog обеспечивает преобразование сигнала SD/HD-SDI в аналоговое компонентное видео, NTSC и PAL с выводом балансного AES/EBU- и аналогового звука. Благодаря понижающей конверсии на аппаратном уровне можно выводить HD-SDI-видео на SD-оборудование, такое как Betacam SP и VHS. Конвертер также позволяет выделять аудиопары из 16-канального звука, встроенного в SDI-поток.



## Разъемы

- 1 Y или NTSC/PAL**  
BNC-разъем для вывода аналогового компонентного (Y) или композитного (NTSC/PAL) сигналов.
- 2 B-Y или S-VIDEO Y**  
BNC-разъем для вывода аналогового компонентного (B-Y) сигнала или S-Video (Y).
- 3 R-Y или S-VIDEO C**  
BNC-разъем для вывода аналогового компонентного (R-Y) сигнала или S-Video (C).
- 4 L — ANALOG или AES/EBU**  
Балансный аналоговый (левый канал) или цифровой AES/EBU-аудиовыход с разъемом 1/4 дюйма.
- 5 R - ANALOG**  
Балансный аналоговый аудиовыход (правый канал) с разъемом 1/4 дюйма.
- 6 Порт MINI-B USB**  
Обеспечивает подключение к компьютеру с операционной системой Mac OS X или Windows для работы с утилитой Blackmagic Converters Setup. Также служит для обновления встроенного ПО мини-конвертера.
- 7 SDI OUT**  
SDI-выход с BNC-разъемом.
- 8 ALT SDI IN**  
Дополнительный SDI-вход для дублирования сигнала.
- 9 SDI IN**  
Основной SDI-вход.
- 10 POWER +12V**  
Вход питания 12 В.

## Переключатели

### Переключатель 8 — Analog Audio, AES/EBU Audio

Установите переключатель 8 в положение OFF (выкл.), чтобы выводить балансный аналоговый звук, или ON (вкл.) для использования цифрового AES/EBU-выхода.

### Переключатель 7 — 7.5 IRE, 0.0 IRE

В США и странах, использующих стандарт NTSC (7.5 Setup), установите переключатель 7 в положение OFF (выкл.). В странах, не поддерживающих подобный стандарт, выберите положение ON (вкл.). Эта настройка влияет только на выходы композитного сигнала и S-Video.

### Переключатель 6 — SMPTE Levels, Betacam Levels

Для SMPTE установите переключатель 6 в положение OFF (выкл.), для Betacam — в положение ON (вкл.). Наиболее часто уровень сигнала устанавливается по стандарту SMPTE, работу с которым поддерживают многие устройства Betacam SP. Настройку для Betacam SP следует выбирать лишь в том случае, если вы уверены, что оборудование использует уровень Betacam.

### Переключатель 5 — Component или Composite/S-Video

Установите переключатель 5 в положение OFF (выкл.), чтобы выводить видео на аналоговый компонентный выход. Для использования композитного выхода или S-Video установите переключатель в положение ON (вкл.).

Чтобы входящий HD-сигнал поступал на разъем S-Video или композитный выход, необходимо установить переключатель понижающей конверсии в положение ON (вкл.). Для компонентного аналогового видео поддерживаются HD и SD.

### Переключатель 4 — SDI Audio De-Embed Bit 2

Переключатели 4, 3 и 2 позволяют использовать восемь комбинаций ON/OFF. С их помощью можно выбрать восемь разных пар аудиоканалов, которые будут выделены из входящего SDI-сигнала.

### Переключатель 3 — SDI Audio De-Embed Bit 1

См. описание переключателя 4.

### Переключатель 2 — SDI Audio De-Embed Bit 0

См. описание переключателя 4.

### Переключатель 1 — Processing Off/Processing On

Переключатель 1 позволяет выбирать пропорции кадра при выполнении понижающей конверсии из HD в SD. Например, при каждой установке переключателя в положение ON (вкл.) используется один из трех режимов: Anamorphic, Center Cut или Letterbox. При положении OFF (выкл.) понижающая конверсия не выполняется, поэтому на выход поступает HD-сигнал.

При подключении к компьютеру через порт USB настройками управляют с помощью утилиты Blackmagic Converters Setup. Если необходимо сохранить выбранный режим, отсоедините конвертер от компьютера, отключите и снова включите питание, а затем установите настройки понижающей конверсии с помощью переключателя 1.

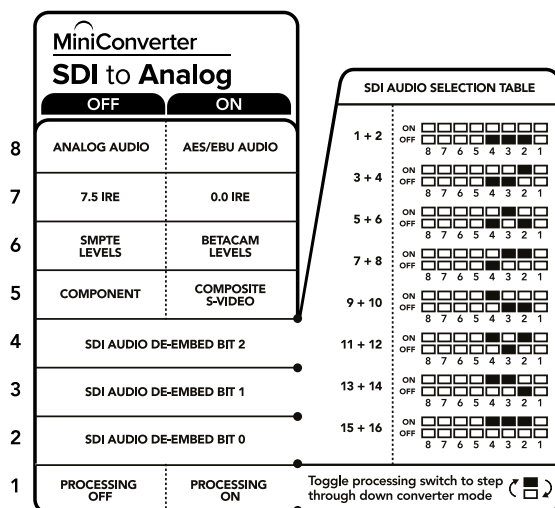


Схема на нижней поверхности корпуса содержит описание настроек, соответствующих разным положениям переключателей



### Меню Processing

Это меню позволяет выбирать пропорции кадра при выполнении понижающей конверсии. Можно использовать режимы Letterbox, Anamorphic, Center Cut или опцию OFF.

Опция “Clip video output to legal levels” позволяет адаптировать входящий SDI-сигнал для вывода через HDMI-интерфейс. По умолчанию она должна быть включена.

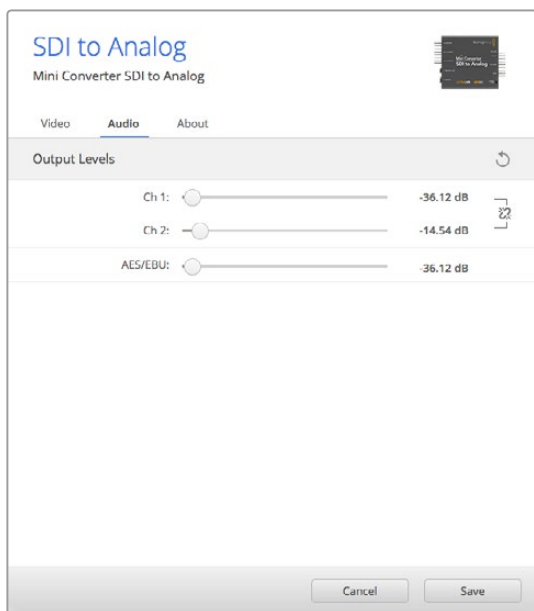
### Меню Output Levels

Это меню позволяет по отдельности устанавливать уровень яркости/цветности, разность B-Y и R-Y.

Вкладка Audio для Mini Converter SDI to Analog дает возможность выбрать описанные ниже опции.

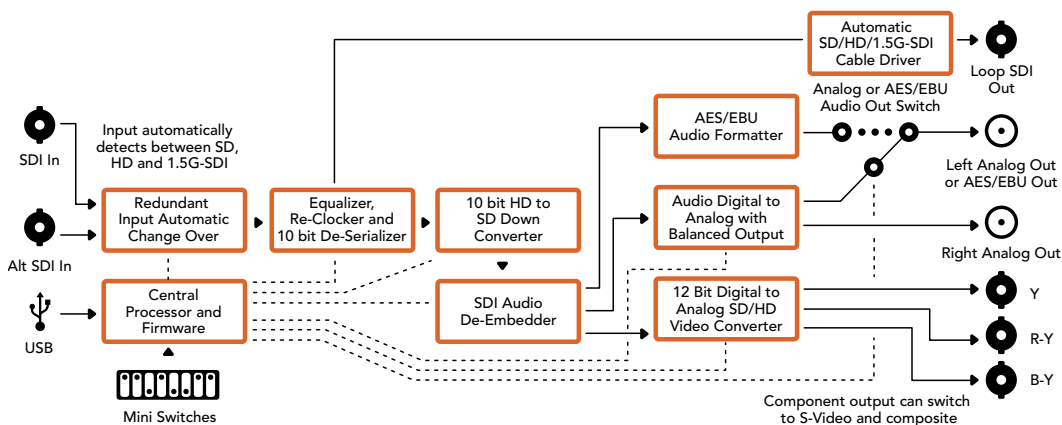
### Меню Output Levels

Это меню позволяет устанавливать уровень сигнала на аудиовыходе. Настройки можно выбрать для каждого канала по отдельности, а если нажать значок скрепки справа от слайдеров — для обоих сразу. Чтобы вернуться к значению 0 дБ для всех настроек, нажмите на значок сброса в строке Output Levels.



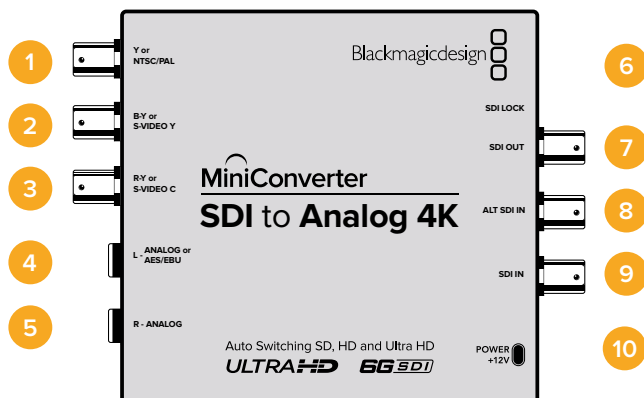
Вкладка Audio утилиты Blackmagic Converters Setup позволяет установить уровень аналогового звука

### Схема соединений Mini Converter SDI to Analog



## Mini Converter SDI to Analog 4K

Модель Mini Converter SDI to Analog 4K и ее модификация SDI to Analog 4K Heavy Duty обеспечивают преобразование сигналов SD/HD/3G/6G-SDI в аналоговое компонентное видео, NTSC или PAL и выводом звука на балансный AES/EBU- и аналоговый выход. Понижающая конверсия на аппаратном уровне позволяет передавать сигнал вплоть до 6G-SDI на аналоговое SD- и HD-оборудование, в том числе на Betacam SP и VHS-видеомагнитофоны. Также можно выделять пары аудиоканалов из 16-канального звука, встроенного в SDI-поток.



### Разъемы

- 1 Y или NTSC/PAL**  
BNC-разъем для вывода аналогового компонентного (Y), композитного сигналов или NTSC/PAL.
- 2 B-Y или S-VIDEO Y**  
BNC-разъем для вывода аналогового компонентного (B-Y) сигнала или S-Video (Y).
- 3 R-Y или S-VIDEO C**  
BNC-разъем для вывода аналогового компонентного (R-Y) сигнала или S-Video (C).
- 4 L — ANALOG или AES/EBU**  
Балансный аналоговый (левый канал) или цифровой AES/EBU-аудиовыход с разъемом 1/4 дюйма.
- 5 R - ANALOG**  
Балансный аналоговый аудиовыход (правый канал) с разъемом 1/4 дюйма.
- 6 Порт MINI-B USB**  
Обеспечивает подключение к компьютеру с операционной системой Mac OS X или Windows для работы с утилитой Blackmagic Converters Setup. Также служит для обновления встроенного ПО мини-конвертера.
- 7 SDI OUT**  
SDI-выход с BNC-разъемом.
- 8 ALT SDI IN**  
Дополнительный SDI-вход для дублирования сигнала.
- 9 SDI IN**  
Основной SDI-вход.
- 10 POWER +12V**  
Вход питания 12 В.



## Переключатели

**СОВЕТ.** Модель Mini Converter Heavy Duty имеет резиновую крышку для защиты переключателей. Чтобы получить доступ к ним, поднимите крышку.

Mini Converter SDI to Analog 4K имеет переключатели, с помощью которых можно выбирать различные настройки преобразования.

### **Переключатель 8 — Analog Audio, AES/EBU Audio**

Установите переключатель 8 в положение OFF (выкл.), чтобы выводить балансный аналоговый звук, или ON (вкл.) для использования цифрового AES/EBU-выхода.

### **Переключатель 7 — 7.5 IRE, 0.0 IRE**

В США и странах, использующих стандарт NTSC (7.5 Setup), установите переключатель 7 в положение OFF (выкл.). В странах, не поддерживающих подобный стандарт, выберите положение ON (вкл.). Эта настройка влияет только на выходы композитного сигнала и S-Video.

### **Переключатель 6 — SMPTE Levels, Betacam Levels**

Для SMPTE установите переключатель 6 в положение OFF (выкл.), для Betacam — в положение ON (вкл.). Наиболее часто уровень сигнала устанавливается по стандарту SMPTE, работу с которым поддерживают многие устройства Betacam SP. Настройку для Betacam SP следует выбирать лишь в том случае, если вы уверены, что оборудование использует уровень Betacam.

### **Переключатель 5 — Component или Composite/S-Video**

Установите переключатель 5 в положение OFF (выкл.), чтобы выводить видео на аналоговый компонентный выход. Для использования композитного выхода или S-Video установите переключатель в положение ON (вкл.).

Чтобы входящий HD-сигнал поступал на разъем S-Video или композитный выход в SD-разрешении, необходимо установить переключатель понижающей конверсии в положение ON (вкл.). Для компонентного аналогового видео поддерживаются HD и SD.

### **Переключатели 4, 3 и 2 — SDI Audio De-Embed**

Переключатели 4, 3 и 2 позволяют использовать восемь комбинаций ON/OFF. С их помощью можно выбрать восемь разных пар аудиоканалов, которые будут выделены из входящего SDI-сигнала.

### **Переключатель 1 — Processing Off/Processing On**

Переключатель 1 позволяет выбирать пропорции кадра при выполнении понижающей конверсии. При каждой установке переключателя в положение ON (вкл.) используется один из трех режимов: Anamorphic, Center Cut или Letterbox.

Если на вход поступает HD- или Ultra HD-сигнал, для вывода аналогового HD-видео на компонентный выход установите переключатель в положение OFF (выкл.).

Для понижающей конверсии входящего Ultra HD-сигнала установите этот переключатель в положение ON (вкл.) и выберите необходимое положение переключателя 5. При выводе видео в формате 4K DCI на компонентный HD-выход выполняется обрезка изображения.

Для понижающей конверсии входящего HD-сигнала установите этот переключатель в положение ON (вкл.) и выберите необходимое положение переключателя 5.

При подключении к компьютеру через порт USB настройками управляют с помощью утилиты Blackmagic Converters Setup. Если необходимо сохранить выбранный режим, отсоедините конвертер от компьютера, отключите и снова включите питание, а затем установите настройки понижающей конверсии с помощью переключателя 1.

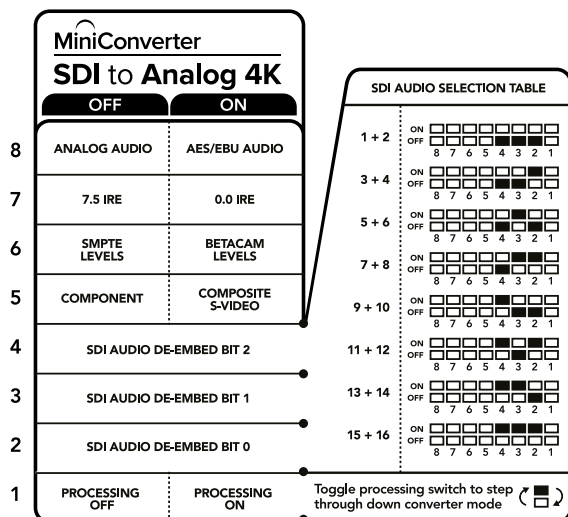


Схема на нижней поверхности корпуса содержит описание настроек, соответствующих разным положениям переключателей

### Пример настроек переключателей

Если необходимо вывести HD-видео на компонентный выход и выделить аудиоканалы 1 и 2 для их вывода на аналоговый выход, установите переключатели 8, 5, 4, 3 и 2 в положение OFF (выкл.).

### Выбор аудиосигнала

Аудиоканалы	Переключатель 4	Переключатель 3	Переключатель 2	Положение переключателя
1 и 2	OFF	OFF	OFF	ON OFF <input type="checkbox"/> <input type="checkbox"/> <input type="checkbox"/> <input type="checkbox"/> <input type="checkbox"/> <input type="checkbox"/> <input type="checkbox"/> <input type="checkbox"/> 8 7 6 5 4 3 2 1
3 и 4	OFF	OFF	ON	ON OFF <input type="checkbox"/> <input type="checkbox"/> <input type="checkbox"/> <input type="checkbox"/> <input type="checkbox"/> <input type="checkbox"/> <input checked="" type="checkbox"/> <input checked="" type="checkbox"/> 8 7 6 5 4 3 2 1
5 и 6	OFF	ON	OFF	ON OFF <input type="checkbox"/> <input type="checkbox"/> <input type="checkbox"/> <input checked="" type="checkbox"/> <input checked="" type="checkbox"/> <input type="checkbox"/> <input type="checkbox"/> 8 7 6 5 4 3 2 1
7 и 8	OFF	ON	ON	ON OFF <input type="checkbox"/> <input type="checkbox"/> <input type="checkbox"/> <input checked="" type="checkbox"/> <input checked="" type="checkbox"/> <input checked="" type="checkbox"/> <input checked="" type="checkbox"/> 8 7 6 5 4 3 2 1
9 и 10	ON	OFF	OFF	ON OFF <input type="checkbox"/> <input type="checkbox"/> <input type="checkbox"/> <input type="checkbox"/> <input checked="" type="checkbox"/> <input checked="" type="checkbox"/> <input type="checkbox"/> <input type="checkbox"/> 8 7 6 5 4 3 2 1
11 и 12	ON	OFF	ON	ON OFF <input type="checkbox"/> <input type="checkbox"/> <input type="checkbox"/> <input type="checkbox"/> <input checked="" type="checkbox"/> <input checked="" type="checkbox"/> <input checked="" type="checkbox"/> <input checked="" type="checkbox"/> 8 7 6 5 4 3 2 1
13 и 14	ON	ON	OFF	ON OFF <input type="checkbox"/> <input type="checkbox"/> <input type="checkbox"/> <input type="checkbox"/> <input checked="" type="checkbox"/> <input checked="" type="checkbox"/> <input checked="" type="checkbox"/> <input checked="" type="checkbox"/> 8 7 6 5 4 3 2 1
15 и 16	ON	ON	ON	ON OFF <input type="checkbox"/> <input type="checkbox"/> <input type="checkbox"/> <input type="checkbox"/> <input checked="" type="checkbox"/> <input checked="" type="checkbox"/> <input checked="" type="checkbox"/> <input checked="" type="checkbox"/> 8 7 6 5 4 3 2 1

## Настройки утилиты Blackmagic Converters Setup

Утилита Blackmagic Converters Setup позволяет менять настройки мини-конвертера и обновлять его программное обеспечение. Для доступа к этим настройкам используют вкладки Video, Audio и About.

Работа с вкладкой About описана в разделе «Изменение настроек» данного руководства.

Вкладка Video для Mini Converter SDI to Analog 4K дает возможность выбрать описанные ниже опции.

### Меню Output Levels

Это меню позволяет по отдельности устанавливать уровень яркости/цветности, разность B-Y и R-Y.

### Меню Processing

Это меню позволяет выбирать пропорции кадра при выполнении понижающей конверсии. Можно использовать режимы Letterbox, Anamorphic, Center Cut или опцию OFF.

Опция "Clip video output to legal levels" позволяет адаптировать входящий SDI-сигнал для вывода через HDMI-интерфейс. По умолчанию она должна быть включена.

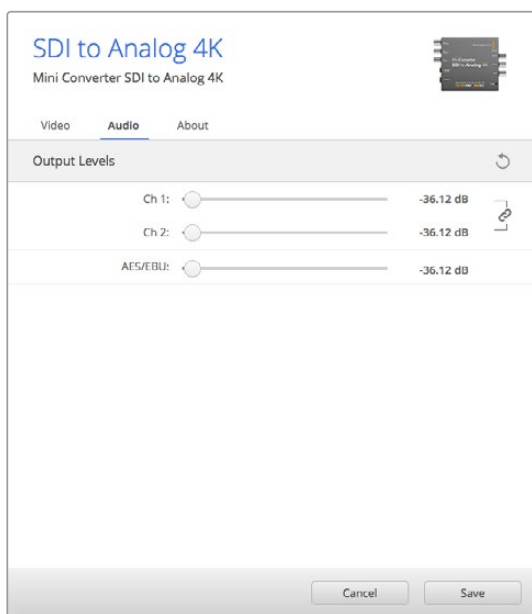


Вкладка Video утилиты Blackmagic Converters Setup позволяет установить уровни аналогового видеосигнала и выбрать настройки преобразования

Вкладка Audio для Mini Converter SDI to Analog 4K дает возможность выбрать описанные ниже опции.

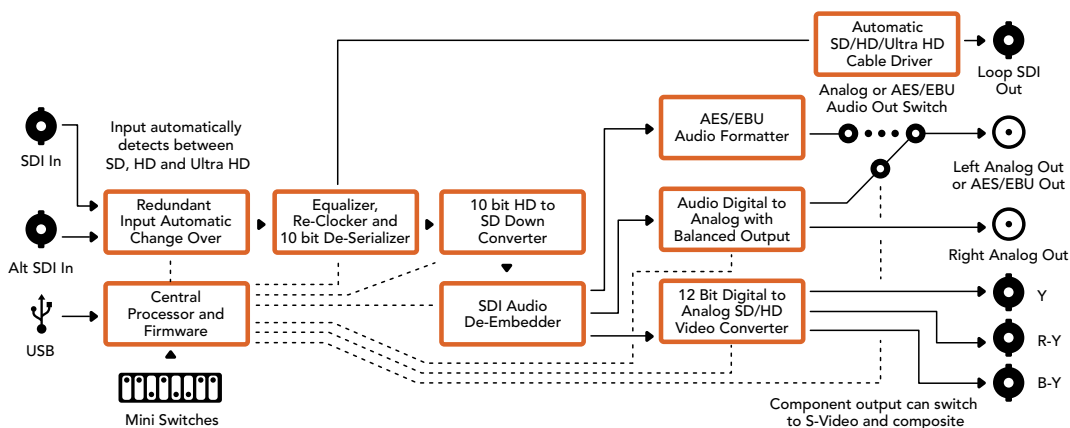
### Меню Output Levels

Это меню позволяет устанавливать уровень сигнала на аудиовходе. Настройки можно выбрать для каждого канала по отдельности, а если нажать значок скрепки справа от слайдеров — для обоих сразу. Чтобы вернуться к значению 0 дБ для всех настроек, нажмите на значок сброса в строке Output Levels.



Вкладка Audio утилиты Blackmagic Converters Setup позволяет установить уровень аналогового звука

### Схема соединений Mini Converter SDI to Analog 4K



### Mini Converter Analog to SDI

Модель Mini Converter Analog to SDI и ее модификация Analog to SDI Heavy Duty преобразуют видео и аудио, поступающие с аналогового оборудования (например, Betacam SP, HDV-камеры и игровые приставки), в сигналы SD/HD-SDI. Для аналоговых и цифровых форматов предусмотрены компонентные разъемы SD/HD и S-Video, композитные входы NTSC и PAL. На выходах HD-SDI в сигнал можно встраивать цифровой AES/EBU- или аналоговый звук.



## Разъемы

- 1 Y или NTSC/PAL**  
BNC-разъем для входящего аналогового компонентного (Y) или композитного сигнала NTSC/PAL.
- 2 B-Y или S-VIDEO Y**  
BNC-разъем для входящего аналогового компонентного (B-Y) сигнала или S-Video (Y).
- 3 R-Y или S-VIDEO C**  
BNC-разъем для входящего аналогового компонентного (R-Y) сигнала или S-Video (C).
- 4 L — ANALOG или AES/EBU**  
Балансный аналоговый аудиовход (левый канал) или цифровой аудиовход AES/EBU с разъемом 1/4 дюйма.
- 5 R - ANALOG**  
Балансный аналоговый аудиовход (правый канал) с разъемом 1/4 дюйма.
- 6 Порт MINI-B USB**  
Обеспечивает подключение к компьютеру с операционной системой Mac OS X или Windows для работы с утилитой Blackmagic Converters Setup. Также служит для обновления встроенного ПО мини-конвертера.
- 7 SDI OUT**  
SDI-выход с BNC-разъемом.
- 8 SDI OUT**  
Второй SDI-выход.
- 9 POWER +12V**  
Вход питания 12 В.

## Переключатели

**СОВЕТ.** Модель Mini Converter Heavy Duty имеет резиновую крышку для защиты переключателей. Чтобы получить доступ к ним, поднимите крышку.

Mini Converter Analog to SDI имеет переключатели, с помощью которых можно выбирать различные настройки преобразования.

### Переключатель 8 — Analog Audio, AES/EBU Audio

Установите переключатель 8 в положение OFF (выкл.), чтобы выбрать балансный аналоговый звук, или ON (вкл.) для использования AES/EBU-входа.

### Переключатель 7 — 7.5 IRE, 0.0 IRE

В США и странах, использующих стандарт NTSC (7.5 Setup), установите переключатель 7 в положение OFF (выкл.). В странах, не поддерживающих подобный стандарт (например, в Японии), выберите положение ON (вкл.). Эта настройка влияет только на выходы композитного сигнала и S-Video.

### Переключатель 6 — SMPTE Levels, Betacam Levels

Эта настройка позволяет использовать две опции: SMPTE или Betacam. Для SMPTE установите переключатель 6 в положение OFF (выкл.), для Betacam — в положение ON (вкл.). Наиболее часто уровень сигнала устанавливается по стандарту SMPTE, работу с которым поддерживают многие устройства Betacam SP. Настройку для Betacam SP следует выбирать лишь в том случае, если вы уверены, что оборудование использует уровень Betacam.

### Переключатель 5 — Component или Composite/S-Video

Установите переключатель 5 в положение OFF (выкл.), чтобы выбрать аналоговый компонентный вход. Для выбора композитного входа и S-Video установите переключатель в положение ON (вкл.).

Mini Converter Analog to SDI		
	OFF	ON
8	ANALOG AUDIO	AES/EBU AUDIO
7	7.5 IRE	0.0 IRE
6	SMPTE LEVELS	BETACAM LEVELS
5	COMPONENT	COMPOSITE or S-VIDEO
4	COMPOSITE	S-VIDEO
3		
2		
1	PROCESSING OFF	PROCESSING ON

Схема на нижней поверхности корпуса содержит описание настроек, соответствующих разным положениям переключателей

### Переключатель 4 — Composite, S-Video

Установите переключатель 4 в положение OFF (выкл.) для выбора композитного видеовхода. Чтобы сигнал поступал на разъем S-Video, установите переключатель в положение ON (вкл.).

### Переключатель 1 — Processing Off/Processing On

Этот переключатель не используется.

### Пример настроек переключателей

Если необходимо использовать компонентный видеовход с аналоговым звуком, установите переключатели 8 и 5 в положение OFF (выкл.).

## Настройки утилиты Blackmagic Converters Setup

Утилита Blackmagic Converters Setup позволяет менять настройки мини-конвертера и обновлять его программное обеспечение. Для доступа к этим настройкам используют вкладки Video, Audio и About.

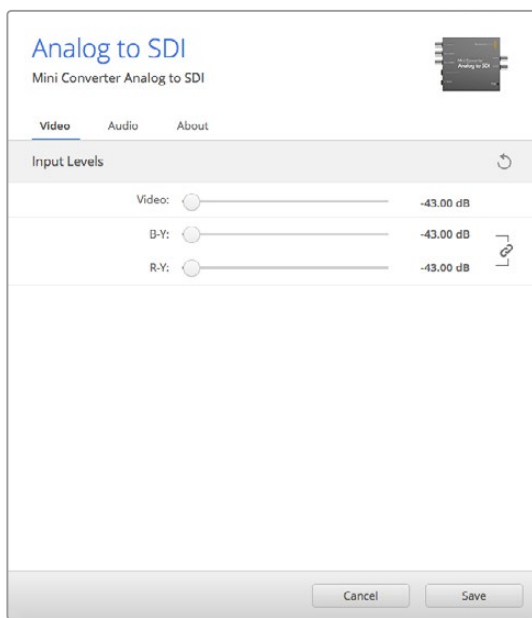
Работа с вкладкой About описана в разделе «Изменение настроек» данного руководства.

Вкладка Video для Mini Converter Analog to SDI дает возможность выбрать описанные ниже опции.

### Меню Input Levels

Это меню позволяет по отдельности устанавливать уровень яркости/цветности, разность B-Y и R-Y.

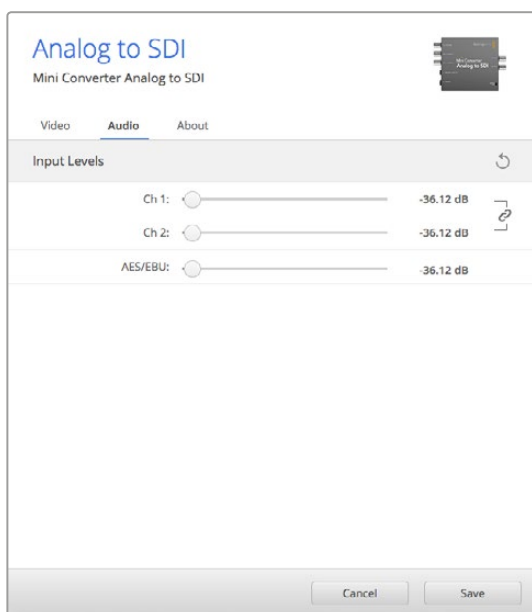
Вкладка Audio для Mini Converter Analog to SDI дает возможность выбрать описанные ниже опции.



Вкладка Video утилиты Blackmagic Converters Setup позволяет установить уровни видеосигнала

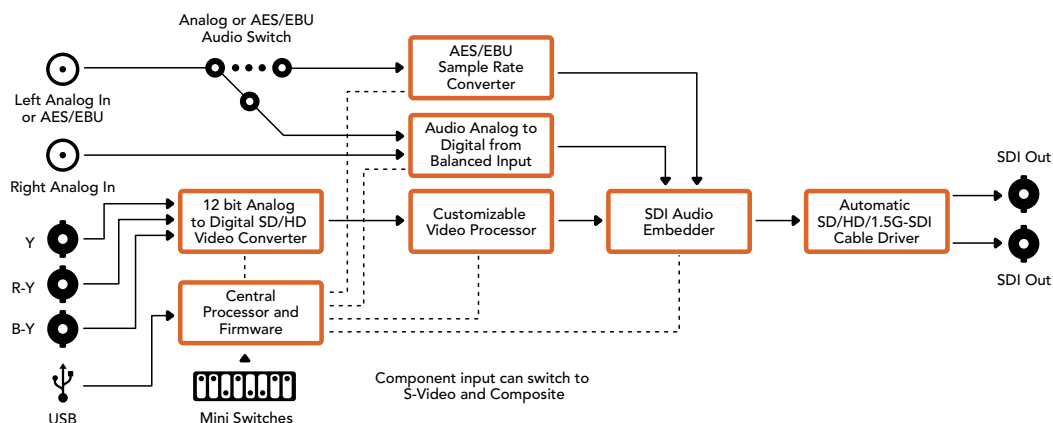
### Меню Input Levels

Это меню позволяет устанавливать уровень сигнала на аудиовходе. Настройки можно выбрать для каждого канала по отдельности, а если нажать значок скрепки справа от слайдеров — для обоих сразу. Чтобы вернуться к значению 0 дБ для всех настроек, нажмите на значок сброса в строке Input Levels.



Вкладка Audio утилиты Blackmagic Converters Setup позволяет установить уровень аналогового звука

## Схема соединений Mini Converter Analog to SDI



## Mini Converter SDI to Audio

Модель Mini Converter SDI to Audio позволяет выделять четыре канала звука из любого SDI-сигнала и выводить его как четыре канала аналогового или восемь каналов цифрового AES/EBU-выхода. Конвертер допускает вывод звука на такое аудиооборудование, как микшеры, аналоговые деки и контрольные мониторы. Для выделения из SDI-потока дополнительных каналов звука можно использовать еще один мини-конвертер SDI to Audio, подключенный к SDI-выходу с помощью последовательного соединения.



## Разъемы

- 1 CH 1 ANALOG или CH 1 & 2 AES/EBU**  
Балансный аналоговый (канал 1) или цифровой AES/EBU-выход (каналы 1 и 2) с разъемом 1/4 дюйма.
- 2 CH 2 ANALOG или CH 3 & 4 AES/EBU**  
Балансный аналоговый (канал 2) или цифровой AES/EBU-выход (каналы 3 и 4) с разъемом 1/4 дюйма.
- 3 CH 3 ANALOG или CH 5 & 6 AES/EBU**  
Балансный аналоговый (канал 3) или цифровой AES/EBU-выход (каналы 5 и 6) с разъемом 1/4 дюйма.
- 4 CH 4 ANALOG или CH 7 & 8 AES/EBU**  
Балансный аналоговый (канал 4) или цифровой AES/EBU-выход (каналы 7 и 8) с разъемом 1/4 дюйма.



## 5 Порт MINI-B USB

Обеспечивает подключение к компьютеру с операционной системой Mac OS X или Windows для работы с утилитой Blackmagic Converters Setup. Также служит для обновления встроенного ПО мини-конвертера.

## 6 SDI OUT

Сквозной SDI-выход с BNC-разъемом.

## 7 ALT SDI IN

Дополнительный SDI-вход для дублирования сигнала. При подключении источников к обоим входам, SDI IN и ALT SDI IN, второй из них будет использоваться при пропадании сигнала на основном. В случае перехода на работу с дополнительным SDI-входом начинает мигать индикатор SDI LOCK.

## 8 SDI IN

Основной SDI-вход.

## 9 POWER +12V

Вход питания 12 В.

# Переключатели

Mini Converter SDI to Audio имеет переключатели, с помощью которых можно выбирать различные настройки преобразования.

### Переключатель 8 — Analog Audio, AES/EBU Audio

Установите переключатель 8 в положение OFF (выкл.), чтобы выводить балансный аналоговый звук, или ON (вкл.) для использования цифрового AES/EBU-выхода.

### Переключатель 6 — Audio Group Bit 1

Переключатели 6 и 5 позволяют использовать четыре комбинации ON/OFF. Это дает возможность выделять из входящего SDI-потока аналоговый звук (четыре набора по четыре канала каждый) или AES/EBU-звук (два набора по восемь каналов).

### Переключатель 5 — Audio Group Bit 0

См. описание переключателя 6.

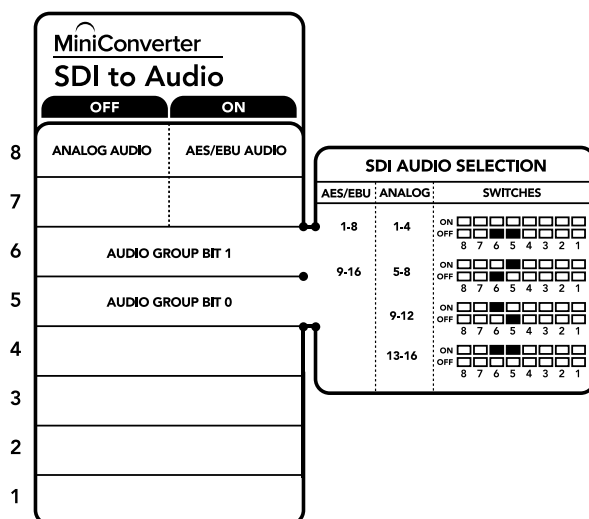


Схема на нижней поверхности корпуса содержит описание настроек, соответствующих разным положениям переключателей

### Пример настроек переключателей

Если необходимо выбрать аудиоканалы с первого по четвертый, установите переключатели 8, 6 и 5 в положение OFF (выкл.).

## Выбор аудиосигнала

Аналоговые аудиоканалы	Переключатель 6	Переключатель 5	Положение переключателя
1-4	OFF	OFF	ON <input type="checkbox"/> <input type="checkbox"/> <input type="checkbox"/> <input type="checkbox"/> <input type="checkbox"/> <input type="checkbox"/> <input type="checkbox"/> <input type="checkbox"/> OFF <input type="checkbox"/> <input type="checkbox"/> <input checked="" type="checkbox"/> <input checked="" type="checkbox"/> <input type="checkbox"/> <input type="checkbox"/> <input type="checkbox"/> <input type="checkbox"/> 8 7 6 5 4 3 2 1
5-8	OFF	ON	ON <input type="checkbox"/> <input type="checkbox"/> <input checked="" type="checkbox"/> <input checked="" type="checkbox"/> <input type="checkbox"/> <input type="checkbox"/> <input type="checkbox"/> <input type="checkbox"/> OFF <input type="checkbox"/> <input type="checkbox"/> <input type="checkbox"/> <input type="checkbox"/> <input type="checkbox"/> <input type="checkbox"/> <input type="checkbox"/> <input type="checkbox"/> 8 7 6 5 4 3 2 1
9-12	ON	OFF	ON <input type="checkbox"/> <input checked="" type="checkbox"/> <input checked="" type="checkbox"/> <input type="checkbox"/> <input type="checkbox"/> <input type="checkbox"/> <input type="checkbox"/> <input type="checkbox"/> OFF <input type="checkbox"/> <input type="checkbox"/> <input type="checkbox"/> <input type="checkbox"/> <input type="checkbox"/> <input type="checkbox"/> <input type="checkbox"/> <input type="checkbox"/> 8 7 6 5 4 3 2 1
13-16	ON	ON	ON <input type="checkbox"/> <input checked="" type="checkbox"/> <input checked="" type="checkbox"/> <input type="checkbox"/> <input type="checkbox"/> <input type="checkbox"/> <input type="checkbox"/> <input type="checkbox"/> OFF <input type="checkbox"/> <input type="checkbox"/> <input type="checkbox"/> <input type="checkbox"/> <input type="checkbox"/> <input type="checkbox"/> <input type="checkbox"/> <input type="checkbox"/> 8 7 6 5 4 3 2 1

Каналы AES/EBU-звука	Переключатель 6	Переключатель 5	Положение переключателя
1-8	OFF	OFF	ON <input type="checkbox"/> <input type="checkbox"/> <input type="checkbox"/> <input type="checkbox"/> <input type="checkbox"/> <input type="checkbox"/> <input type="checkbox"/> <input type="checkbox"/> OFF <input type="checkbox"/> <input type="checkbox"/> <input checked="" type="checkbox"/> <input checked="" type="checkbox"/> <input type="checkbox"/> <input type="checkbox"/> <input type="checkbox"/> <input type="checkbox"/> 8 7 6 5 4 3 2 1
9-16	OFF	ON	ON <input type="checkbox"/> <input type="checkbox"/> <input checked="" type="checkbox"/> <input checked="" type="checkbox"/> <input type="checkbox"/> <input type="checkbox"/> <input type="checkbox"/> <input type="checkbox"/> OFF <input type="checkbox"/> <input type="checkbox"/> <input type="checkbox"/> <input type="checkbox"/> <input type="checkbox"/> <input type="checkbox"/> <input type="checkbox"/> <input type="checkbox"/> 8 7 6 5 4 3 2 1

## Настройки утилиты Blackmagic Converters Setup

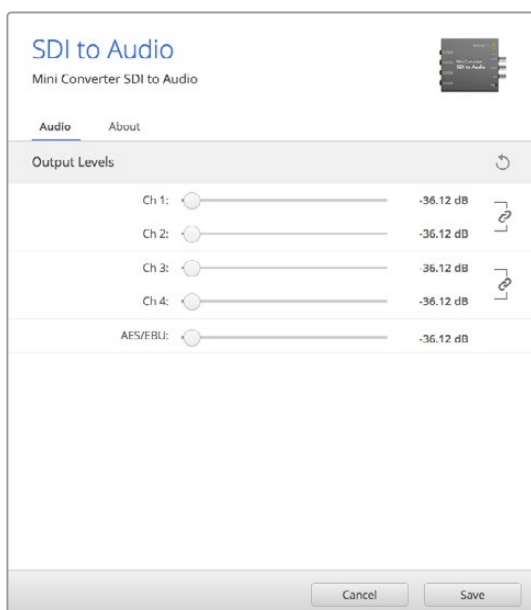
Утилита Blackmagic Converters Setup позволяет менять настройки мини-конвертера и обновлять его программное обеспечение. Для доступа к этим настройкам используют вкладки Audio и About.

Работа с вкладкой About описана в разделе «Изменение настроек» данного руководства.

Вкладка Audio для Mini Converter SDI to Audio дает возможность выбрать описанные ниже опции.

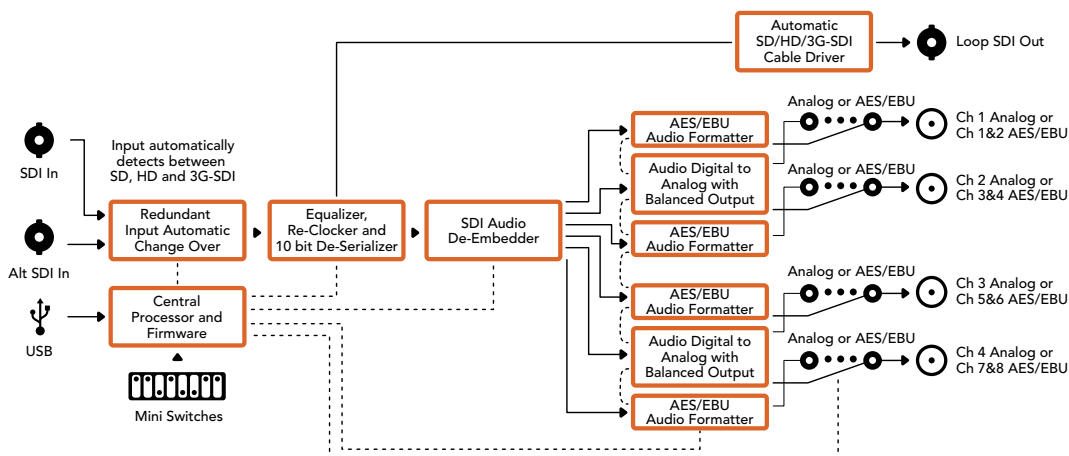
### Меню Output Levels

Это меню позволяет устанавливать уровень сигнала на аудиовыходе. Настройки можно выбрать для каждого канала по отдельности, а если нажать значок скрепки справа от слайдеров — для пар каналов. Чтобы вернуться к значению 0 дБ для всех настроек, нажмите на значок сброса в строке Output Levels.



Вкладка Audio утилиты Blackmagic Converters Setup позволяет установить уровень звука

## Схема соединений Mini Converter SDI to Audio



## Mini Converter SDI to Audio 4K

Модель Mini Converter SDI to Audio 4K позволяет выделять четыре канала звука из любого SDI-сигнала и выводить его как четыре канала аналогового или восемь каналов цифрового AES/EBU-выхода. Конвертер допускает вывод звука на такое аудиооборудование, как микшеры, аналоговые деки и контрольные мониторы. Для выделения из SDI-потока дополнительных каналов звука можно использовать еще один мини-конвертер SDI to Audio 4K, подключенный к SDI-выходу с помощью последовательного соединения.



## Разъемы

- 1 CH 1 ANALOG или CH 1 & 2 AES/EBU**  
Балансный аналоговый (канал 1) или цифровой AES/EBU-выход (каналы 1 и 2) с разъемом 1/4 дюйма.
- 2 CH 2 ANALOG или CH 3 & 4 AES/EBU**  
Балансный аналоговый (канал 2) или цифровой AES/EBU-выход (каналы 3 и 4) с разъемом 1/4 дюйма.
- 3 CH 3 ANALOG или CH 5 & 6 AES/EBU**  
Балансный аналоговый (канал 3) или цифровой AES/EBU-выход (каналы 5 и 6) с разъемом 1/4 дюйма.
- 4 CH 4 ANALOG или CH 7 & 8 AES/EBU**  
Балансный аналоговый (канал 4) или цифровой AES/EBU-выход (каналы 7 и 8) с разъемом 1/4 дюйма.

## 5 Порт MINI-B USB

Обеспечивает подключение к компьютеру с операционной системой Mac OS X или Windows для работы с утилитой Blackmagic Converters Setup. Также служит для обновления встроенного ПО мини-конвертера.

## 6 SDI OUT

Сквозной SDI-выход с BNC-разъемом.

## 7 ALT SDI IN

Дополнительный SDI-вход для дублирования сигнала. При подключении источников к обоим входам, SDI IN и ALT SDI IN, второй из них будет использоваться при пропадании сигнала на основном. В случае перехода на работу с дополнительным SDI-входом начинает мигать индикатор SDI LOCK.

## 8 SDI IN

Основной SDI-вход.

## 9 POWER +12V

Вход питания 12 В.

## Переключатели

Mini Converter SDI to Audio 4K имеет переключатели, с помощью которых можно выбирать различные настройки преобразования.

### Переключатель 8 — Analog Audio, AES/EBU Audio

Установите переключатель 8 в положение OFF (выкл.), чтобы выводить балансный аналоговый звук, или ON (вкл.) для использования цифрового AES/EBU-выхода.

### Переключатель 6 — Audio Group Bit 1

Переключатели 6 и 5 позволяют использовать четыре комбинации ON/OFF. Это дает возможность выделять из входящего SDI-потока аналоговый звук (четыре набора по четыре канала каждый) или AES/EBU-звук (два набора по восемь каналов).

### Переключатель 5 — Audio Group Bit 0

См. описание переключателя 6.

## Пример настроек переключателей

Если необходимо выбрать аудиоканалы с первого по четвертый, установите переключатели 8, 6 и 5 в положение OFF (выкл.).

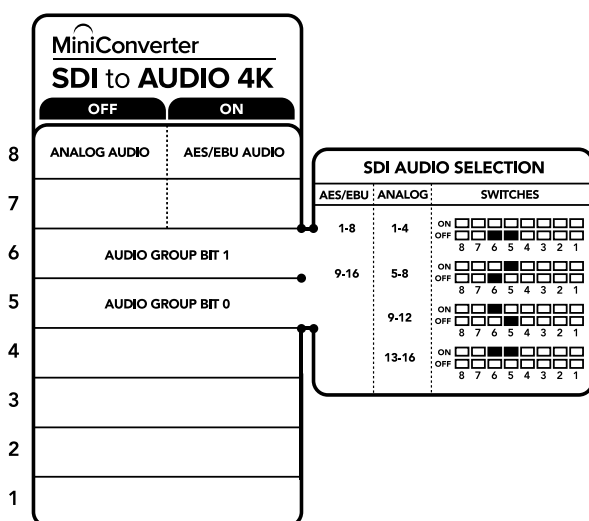


Схема на нижней поверхности корпуса содержит описание настроек, соответствующих разным положениям переключателей

## Выбор аудиосигнала

Аналоговые аудиоканалы	Переключатель 6	Переключатель 5	Положение переключателя
1-4	OFF	OFF	ON <input type="checkbox"/> <input type="checkbox"/> <input type="checkbox"/> <input type="checkbox"/> <input type="checkbox"/> <input type="checkbox"/> <input type="checkbox"/> <input type="checkbox"/> OFF <input type="checkbox"/> <input type="checkbox"/> <input checked="" type="checkbox"/> <input checked="" type="checkbox"/> <input type="checkbox"/> <input type="checkbox"/> <input type="checkbox"/> <input type="checkbox"/> 8 7 6 5 4 3 2 1
5-8	OFF	ON	ON <input type="checkbox"/> <input type="checkbox"/> <input checked="" type="checkbox"/> <input checked="" type="checkbox"/> <input type="checkbox"/> <input type="checkbox"/> <input type="checkbox"/> <input type="checkbox"/> OFF <input type="checkbox"/> <input type="checkbox"/> <input type="checkbox"/> <input type="checkbox"/> <input type="checkbox"/> <input type="checkbox"/> <input type="checkbox"/> <input type="checkbox"/> 8 7 6 5 4 3 2 1
9-12	ON	OFF	ON <input type="checkbox"/> <input checked="" type="checkbox"/> <input checked="" type="checkbox"/> <input type="checkbox"/> <input type="checkbox"/> <input type="checkbox"/> <input type="checkbox"/> <input type="checkbox"/> OFF <input type="checkbox"/> <input type="checkbox"/> <input type="checkbox"/> <input type="checkbox"/> <input type="checkbox"/> <input type="checkbox"/> <input type="checkbox"/> <input type="checkbox"/> 8 7 6 5 4 3 2 1
13-16	ON	ON	ON <input type="checkbox"/> <input checked="" type="checkbox"/> <input checked="" type="checkbox"/> <input type="checkbox"/> <input type="checkbox"/> <input type="checkbox"/> <input type="checkbox"/> <input type="checkbox"/> OFF <input type="checkbox"/> <input type="checkbox"/> <input type="checkbox"/> <input type="checkbox"/> <input type="checkbox"/> <input type="checkbox"/> <input type="checkbox"/> <input type="checkbox"/> 8 7 6 5 4 3 2 1

Каналы AES/EBU-звука	Переключатель 6	Переключатель 5	Положение переключателя
1-8	OFF	OFF	ON <input type="checkbox"/> <input type="checkbox"/> <input type="checkbox"/> <input type="checkbox"/> <input type="checkbox"/> <input type="checkbox"/> <input type="checkbox"/> <input type="checkbox"/> OFF <input type="checkbox"/> <input type="checkbox"/> <input checked="" type="checkbox"/> <input checked="" type="checkbox"/> <input type="checkbox"/> <input type="checkbox"/> <input type="checkbox"/> <input type="checkbox"/> 8 7 6 5 4 3 2 1
9-16	OFF	ON	ON <input type="checkbox"/> <input type="checkbox"/> <input checked="" type="checkbox"/> <input checked="" type="checkbox"/> <input type="checkbox"/> <input type="checkbox"/> <input type="checkbox"/> <input type="checkbox"/> OFF <input type="checkbox"/> <input type="checkbox"/> <input type="checkbox"/> <input type="checkbox"/> <input type="checkbox"/> <input type="checkbox"/> <input type="checkbox"/> <input type="checkbox"/> 8 7 6 5 4 3 2 1

## Настройки утилиты Blackmagic Converters Setup

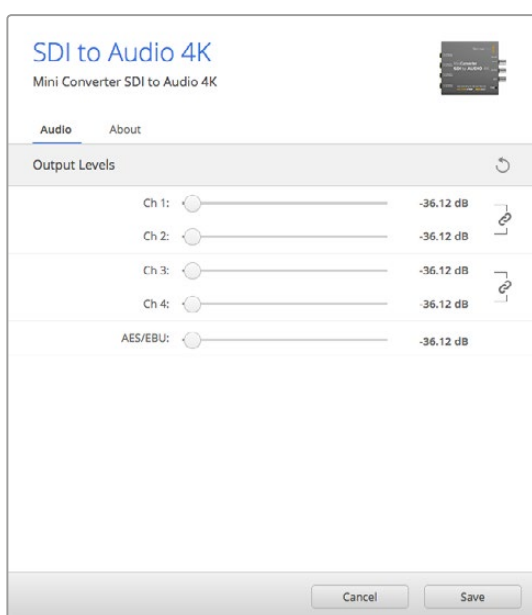
Утилита Blackmagic Converters Setup позволяет менять настройки мини-конвертера и обновлять его программное обеспечение. Для доступа к этим настройкам используют вкладки Audio и About.

Работа с вкладкой About описана в разделе «Изменение настроек» данного руководства.

Вкладка Audio для Mini Converter SDI to Audio 4K дает возможность выбрать описанные ниже опции.

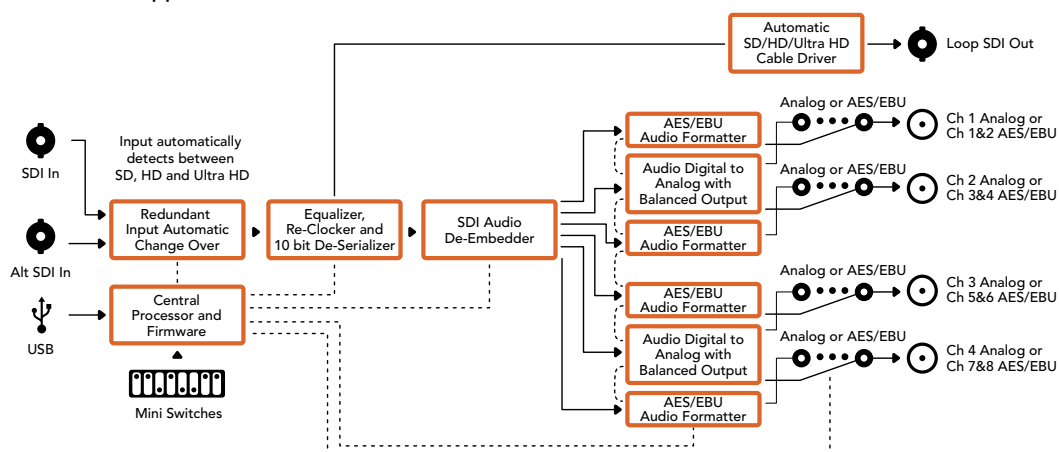
### Меню Output Levels

Это меню позволяет устанавливать уровень сигнала на аудиовыходе. Настройки можно выбрать для каждого канала по отдельности, а если нажать значок скрепки справа от слайдеров — для пар каналов. Чтобы вернуться к значению 0 дБ для всех настроек, нажмите на значок сброса в строке Output Levels.



Вкладка Audio утилиты Blackmagic Converters Setup позволяет установить уровень аналогового звука

## Схема соединений Mini Converter SDI to Audio 4K



## Mini Converter Audio to SDI

Модель Mini Converter Audio to SDI позволяет встраивать четыре канала аналогового или восемь каналов цифрового AES/EBU-аудио в любой SDI-сигнал. Это дает возможность включать в SDI-сигнал звук, полученный с микшера и аналоговой деки, и передавать его на SDI-коммутаторы и деки. Для встраивания в SDI-поток дополнительных каналов можно использовать еще один мини-конвертер Audio to SDI, подключенный к SDI-выходу с помощью последовательного соединения.



## Разъемы

- 1 CH 1 ANALOG или CH 1 & 2 AES/EBU**  
Балансный аналоговый (канал 1) или цифровой AES/EBU-вход (каналы 1 и 2) с разъемом 1/4 дюйма.
- 2 CH 2 ANALOG или CH 3 & 4 AES/EBU**  
Балансный аналоговый (канал 2) или цифровой AES/EBU-вход (каналы 3 и 4) с разъемом 1/4 дюйма.
- 3 CH 3 ANALOG или CH 5 & 6 AES/EBU**  
Балансный аналоговый (канал 3) или цифровой AES/EBU-вход (каналы 5 и 6) с разъемом 1/4 дюйма.
- 4 CH 4 ANALOG или CH 7 & 8 AES/EBU**  
Балансный аналоговый (канал 4) или цифровой AES/EBU-вход (каналы 7 и 8) с разъемом 1/4 дюйма.

## 5 Порт MINI-B USB

Обеспечивает подключение к компьютеру с операционной системой Mac OS X или Windows для работы с утилитой Blackmagic Converters Setup. Также служит для обновления встроенного ПО мини-конвертера.

## 6 SDI OUT

Сквозной SDI-выход с BNC-разъемом.

## 7 ALT SDI IN

Дополнительный SDI-вход для дублирования сигнала. При подключении источников к обоим входам, SDI IN и ALT SDI IN, второй из них будет использоваться при пропадании сигнала на основном. В случае перехода на работу с дополнительным SDI-входом начинает мигать индикатор SDI LOCK.

## 8 SDI IN

Основной SDI-вход.

## 9 POWER +12V

Вход питания 12 В.

## Переключатели

Mini Converter Audio to SDI имеет переключатели, с помощью которых можно выбирать различные настройки преобразования.

### Переключатель 8 — Analog Audio, AES/EBU Audio

Установите переключатель 8 в положение OFF (выкл.), чтобы выбрать балансный аналоговый звук, или ON (вкл.) для использования AES/EBU-входа.

### Переключатель 7 — Sample Rate Conversion, No Sample Rate Conversion

Установите переключатель 7 в положение OFF (выкл.), чтобы выполнять преобразование частоты дискретизации, или в положение ON (вкл.), чтобы не использовать эту опцию. Переключатель почти всегда должен находиться в положении OFF (выкл.), чтобы встраиваемый аудиосигнал имел частоту дискретизации телевизионного стандарта.

Если переключатель 7 находится в положении OFF (выкл.), SDI-сигнал на выходе будет иметь встроенный аналоговый или AES/EBU-звук с частотой дискретизации 48 кГц. Когда переключатель 7 установлен в положение ON (вкл.), аудио выводится с такой же частотой дискретизации, как на входе.

### Переключатель 6 — Audio Group Bit 1

Переключатели 6 и 5 позволяют использовать четыре комбинации ON/OFF. Это дает возможность встраивать в SDI-сигнал на выходе до четырех каналов аналогового или до восьми каналов цифрового AES/EBU-звука.

### Переключатель 5 — Audio Group Bit 0

См. описание переключателя 6.

## Выбор аудиосигнала

Аналоговые аудиоканалы	Переключатель 6	Переключатель 5	Положение переключателя
1-4	OFF	OFF	
5-8	OFF	ON	
9-12	ON	OFF	
13-16	ON	ON	

Каналы AES/EBU-звука	Переключатель 6	Переключатель 5	Положение переключателя
1-8	OFF	OFF	ON <input type="checkbox"/> <input type="checkbox"/> <input type="checkbox"/> <input type="checkbox"/> <input type="checkbox"/> <input type="checkbox"/> <input type="checkbox"/> <input type="checkbox"/> OFF <input type="checkbox"/> <input checked="" type="checkbox"/> <input checked="" type="checkbox"/> <input checked="" type="checkbox"/> <input checked="" type="checkbox"/> <input checked="" type="checkbox"/> <input checked="" type="checkbox"/> <input checked="" type="checkbox"/>
9-16	OFF	ON	ON <input type="checkbox"/> <input type="checkbox"/> <input type="checkbox"/> <input type="checkbox"/> <input type="checkbox"/> <input type="checkbox"/> <input type="checkbox"/> <input type="checkbox"/> OFF <input type="checkbox"/> <input checked="" type="checkbox"/> <input checked="" type="checkbox"/> <input checked="" type="checkbox"/> <input checked="" type="checkbox"/> <input checked="" type="checkbox"/> <input checked="" type="checkbox"/> <input checked="" type="checkbox"/>

## Встраивание или выделение звука

После выбора аудиоканалов используйте переключатели 4, 3, 2 и 1, чтобы назначить каналы для встраивания или отключения их. Отключение позволяет избежать записи на тех звуковых каналах, которые необходимо сохранить в SDI-сигнале.

Например, если нужно отключить аналоговый аудиоканал 1 или каналы 1 и 2 AES/EBU-звука, установите переключатель 1 в положение ON (вкл.). Когда переключатель 1 находится в положении OFF (выкл.), аудиоканалы будут встроены в сигнал.

## Настройки для выделения и отключения аудиоканалов

Переключатель	Настройка	Аудиоканалы
4	ON	Отключение канала 4 (аналоговый звук), каналов 7-8 (AES/EBU)
	OFF	Встраивание канала 4 (аналоговый звук), каналов 7-8 (AES/EBU)
3	ON	Отключение канала 3 (аналоговый звук), каналов 5-6 (AES/EBU)
	OFF	Встраивание канала 3 (аналоговый звук), каналов 5-6 (AES/EBU)
2	ON	Отключение канала 2 (аналоговый звук), каналов 3-4 (AES/EBU)
	OFF	Встраивание канала 2 (аналоговый звук), каналов 3-4 (AES/EBU)
1	ON	Отключение канала 1 (аналоговый звук), каналов 1-2 (AES/EBU)
	OFF	Встраивание канала 1 (аналоговый звук), каналов 1-2 (AES/EBU)

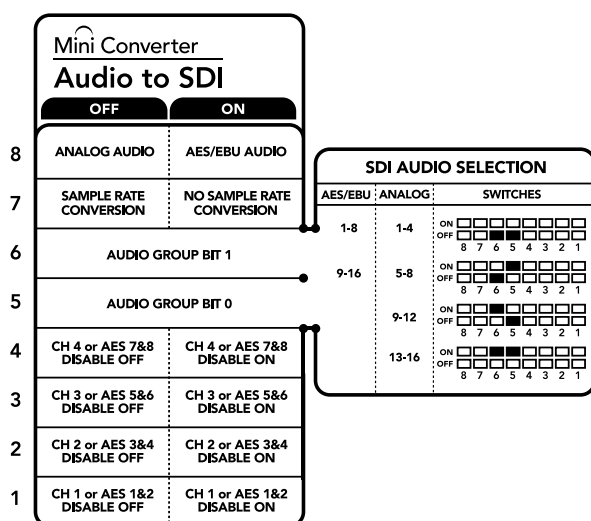


Схема на нижней поверхности корпуса содержит описание настроек, соответствующих разным положениям переключателей



## Пример настроек переключателей

Если необходимо выбрать аудиоканалы с первого по четвертый, установите переключатели 8, 6 и 5 в положение OFF (выкл.).

## Настройки утилиты Blackmagic Converters Setup

Утилита Blackmagic Converters Setup позволяет менять настройки мини-конвертера и обновлять его программное обеспечение. Для доступа к этим настройкам используют вкладки Audio и About.

Работа с вкладкой About описана в разделе «Изменение настроек» данного руководства.

Вкладка Audio для Mini Converter Audio to SDI дает возможность выбрать описанные ниже опции.

### Меню Input Levels

Это меню позволяет устанавливать уровень сигнала на аудиовходе. Настройки можно выбрать для каждого канала по отдельности, а если нажать значок скрепки справа от слайдеров — для пар каналов. Чтобы вернуться к значению 0 дБ для всех настроек, нажмите на значок сброса в строке Output Levels.

Вкладка Audio утилиты Blackmagic Converters Setup позволяет установить уровень аналогового звука

## Схема соединений Mini Converter Audio to SDI

Blackmagic Mini Converter

692

## Mini Converter Audio to SDI 4K

Модель Mini Converter Audio to SDI 4K позволяет встраивать четыре канала аналогового или восемь каналов цифрового AES/EBU-аудио в любой SDI-сигнал. Это дает возможность включать в SDI-поток звук, полученный с микшера и аналоговой деки, и передавать его на SDI-коммутаторы и деки. Для встраивания дополнительных каналов можно использовать еще один мини-конвертер Audio to SDI 4K, подключенный к SDI-выходу с помощью последовательного соединения.



## Разъемы

- 1 CH 1 ANALOG или CH 1 & 2 AES/EBU**  
Балансный аналоговый (канал 1) или цифровой AES/EBU-вход (каналы 1 и 2) с разъемом 1/4 дюйма.
- 2 CH 2 ANALOG или CH 3 & 4 AES/EBU**  
Балансный аналоговый (канал 2) или цифровой AES/EBU-вход (каналы 3 и 4) с разъемом 1/4 дюйма.
- 3 CH 3 ANALOG или CH 5 & 6 AES/EBU**  
Балансный аналоговый (канал 3) или цифровой AES/EBU-вход (каналы 5 и 6) с разъемом 1/4 дюйма.
- 4 CH 4 ANALOG или CH 7 & 8 AES/EBU**  
Балансный аналоговый (канал 4) или цифровой AES/EBU-вход (каналы 7 и 8) с разъемом 1/4 дюйма.
- 5 Порт MINI-B USB**  
Обеспечивает подключение к компьютеру с операционной системой Mac OS X или Windows для работы с утилитой Blackmagic Converters Setup. Также служит для обновления встроенного ПО мини-конвертера.
- 6 SDI OUT**  
Сквозной SDI-выход с BNC-разъемом.
- 7 ALT SDI IN**  
Дополнительный SDI-вход для дублирования сигнала. При подключении источников к обоим входам, SDI IN и ALT SDI IN, второй из них будет использоваться при пропадании сигнала на основном. В случае перехода на работу с дополнительным SDI-входом начинает мигать индикатор SDI LOCK.
- 8 SDI IN**  
Основной SDI-вход.
- 9 POWER +12V**  
Вход питания 12 В.

## Переключатели

Mini Converter Audio to SDI 4K имеет переключатели, с помощью которых можно выбирать различные настройки преобразования.

### Переключатель 8 — Analog Audio, AES/EBU Audio

Установите переключатель 8 в положение OFF (выкл.), чтобы выбрать балансный аналоговый звук, или ON (вкл.) для использования AES/EBU-входа.

### Переключатель 7 — Sample Rate Conversion, No Sample Rate Conversion

Установите переключатель 7 в положение OFF (выкл.), чтобы выполнять преобразование частоты дискретизации, или в положение ON (вкл.), чтобы не использовать эту опцию. Переключатель почти всегда должен находиться в положении OFF (выкл.), чтобы встраиваемый аудиосигнал имел частоту дискретизации телевизионного стандарта.

Если переключатель 7 находится в положении OFF (выкл.), SDI-сигнал на выходе будет иметь встроенный аналоговый или AES/EBU-звук с частотой дискретизации 48 кГц. Когда переключатель 7 установлен в положение ON (вкл.), аудио выводится с такой же частотой дискретизации, как на входе.

### Переключатель 6 — Audio Group Bit 1

Переключатели 6 и 5 позволяют использовать четыре комбинации ON/OFF. Это дает возможность встраивать в SDI-сигнал на выходе до четырех каналов аналогового или до восьми каналов цифрового AES/EBU-звука.

### Переключатель 5 — Audio Group Bit 0

См. описание переключателя 6.

## Выбор аудиосигнала

Аналоговые аудиоканалы	Переключатель 6	Переключатель 5	Положение переключателя
1-4	OFF	OFF	ON <input type="checkbox"/> <input type="checkbox"/> <input type="checkbox"/> <input type="checkbox"/> <input type="checkbox"/> <input type="checkbox"/> <input type="checkbox"/> <input type="checkbox"/> OFF <input type="checkbox"/> <input type="checkbox"/> <input checked="" type="checkbox"/> <input checked="" type="checkbox"/> <input type="checkbox"/> <input type="checkbox"/> <input type="checkbox"/> <input type="checkbox"/> 8 7 6 5 4 3 2 1
5-8	OFF	ON	ON <input type="checkbox"/> <input type="checkbox"/> <input checked="" type="checkbox"/> <input checked="" type="checkbox"/> <input type="checkbox"/> <input type="checkbox"/> <input type="checkbox"/> <input type="checkbox"/> OFF <input type="checkbox"/> <input type="checkbox"/> <input type="checkbox"/> <input type="checkbox"/> <input type="checkbox"/> <input type="checkbox"/> <input type="checkbox"/> <input type="checkbox"/> 8 7 6 5 4 3 2 1
9-12	ON	OFF	ON <input type="checkbox"/> <input checked="" type="checkbox"/> <input checked="" type="checkbox"/> <input type="checkbox"/> <input type="checkbox"/> <input type="checkbox"/> <input type="checkbox"/> <input type="checkbox"/> OFF <input type="checkbox"/> <input type="checkbox"/> <input type="checkbox"/> <input type="checkbox"/> <input type="checkbox"/> <input type="checkbox"/> <input type="checkbox"/> <input type="checkbox"/> 8 7 6 5 4 3 2 1
13-16	ON	ON	ON <input type="checkbox"/> <input checked="" type="checkbox"/> <input checked="" type="checkbox"/> <input checked="" type="checkbox"/> <input checked="" type="checkbox"/> <input type="checkbox"/> <input type="checkbox"/> <input type="checkbox"/> OFF <input type="checkbox"/> <input type="checkbox"/> <input type="checkbox"/> <input type="checkbox"/> <input type="checkbox"/> <input type="checkbox"/> <input type="checkbox"/> <input type="checkbox"/> 8 7 6 5 4 3 2 1
Каналы AES/EBU-звука	Переключатель 6	Переключатель 5	Положение переключателя
1-8	OFF	OFF	ON <input type="checkbox"/> <input type="checkbox"/> <input type="checkbox"/> <input type="checkbox"/> <input type="checkbox"/> <input type="checkbox"/> <input type="checkbox"/> <input type="checkbox"/> OFF <input type="checkbox"/> <input type="checkbox"/> <input checked="" type="checkbox"/> <input checked="" type="checkbox"/> <input type="checkbox"/> <input type="checkbox"/> <input type="checkbox"/> <input type="checkbox"/> 8 7 6 5 4 3 2 1
9-16	OFF	ON	ON <input type="checkbox"/> <input type="checkbox"/> <input checked="" type="checkbox"/> <input checked="" type="checkbox"/> <input checked="" type="checkbox"/> <input checked="" type="checkbox"/> <input type="checkbox"/> <input type="checkbox"/> OFF <input type="checkbox"/> <input type="checkbox"/> <input type="checkbox"/> <input type="checkbox"/> <input type="checkbox"/> <input type="checkbox"/> <input type="checkbox"/> <input type="checkbox"/> 8 7 6 5 4 3 2 1

## Встраивание или выделение звука

После выбора аудиоканалов используйте переключатели 4, 3, 2 и 1, чтобы назначить каналы для встраивания или отключить их. Отключение позволяет избежать записи на тех звуковых каналах, которые необходимо сохранить в SDI-сигнале.

Например, если нужно отключить аналоговый аудиоканал 1 или каналы 1 и 2 AES/EBU-звука, установите переключатель 1 в положение ON (вкл.). Когда переключатель 1 находится в положении OFF (выкл.), аудиоканалы будут встроены в сигнал.

### Настройки для выделения и отключения аудиоканалов

Переключатель	Настройка	Аудиоканалы
4	ON	Отключение канала 4 (аналоговый звук), каналов 7-8 (AES/EBU)
	OFF	Встраивание канала 4 (аналоговый звук), каналов 7-8 (AES/EBU)
3	ON	Отключение канала 3 (аналоговый звук), каналов 5-6 (AES/EBU)
	OFF	Встраивание канала 3 (аналоговый звук), каналов 5-6 (AES/EBU)
2	ON	Отключение канала 2 (аналоговый звук), каналов 3-4 (AES/EBU)
	OFF	Встраивание канала 2 (аналоговый звук), каналов 3-4 (AES/EBU)
1	ON	Отключение канала 1 (аналоговый звук), каналов 1-2 (AES/EBU)
	OFF	Встраивание канала 1 (аналоговый звук), каналов 1-2 (AES/EBU)

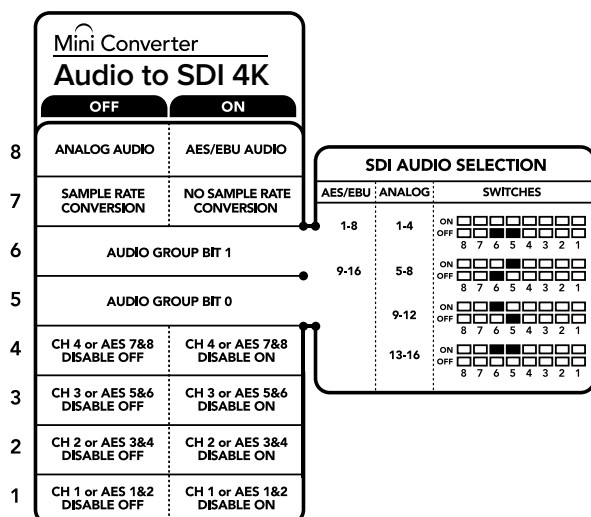


Схема на нижней поверхности корпуса содержит описание настроек, соответствующих разным положениям переключателей

### Пример настроек переключателей

Если необходимо выбрать аудиоканалы с первого по четвертый, установите переключатели 8, 6 и 5 в положение OFF (выкл.).

## Настройки утилиты Blackmagic Converters Setup

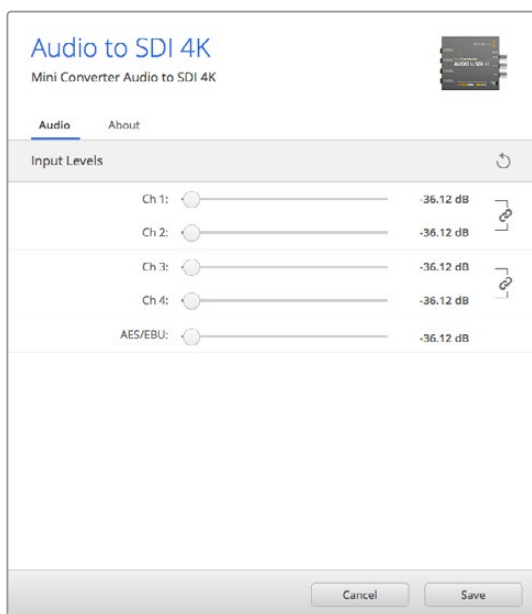
Утилита Blackmagic Converters Setup позволяет менять настройки мини-конвертера и обновлять его программное обеспечение. Для доступа к этим настройкам используют вкладки Audio и About.

Работа с вкладкой About описана в разделе «Изменение настроек» данного руководства.

Вкладка Audio для Mini Converter Audio to SDI 4K дает возможность выбрать описанные ниже опции.

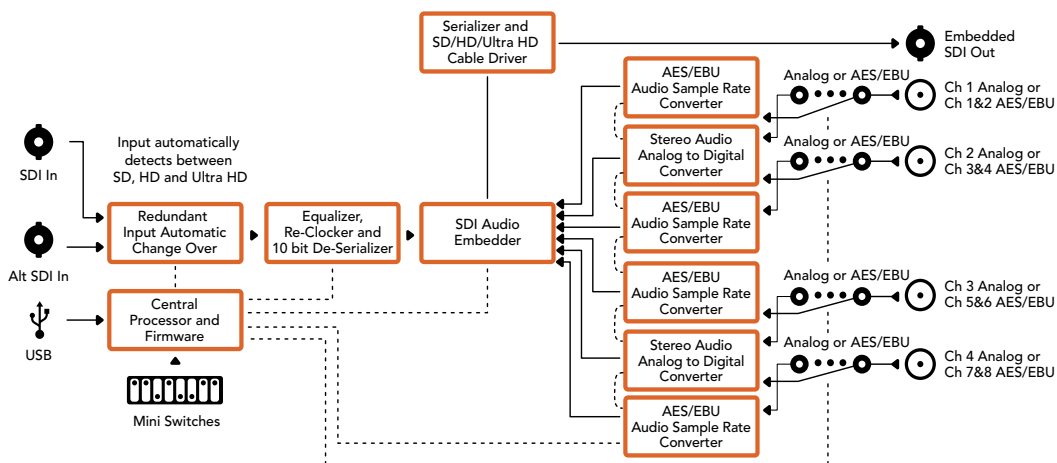
### Меню Input Levels

Это меню позволяет устанавливать уровень сигнала на аудиовходе. Настройки можно выбрать для каждого канала по отдельности, а если нажать значок скрепки справа от слайдеров — для пар каналов. Чтобы вернуться к значению 0 дБ для всех настроек, нажмите на значок сброса в строке Output Levels.



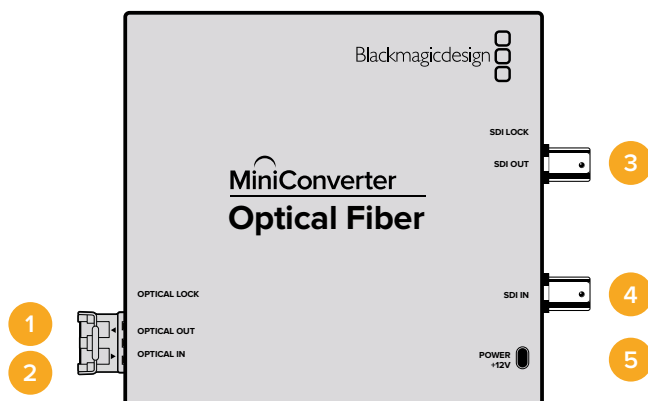
Вкладка Audio утилиты Blackmagic Converters Setup позволяет установить уровень аналогового звука

### Схема соединений Mini Converter Audio to SDI 4K



## Mini Converter Optical Fiber

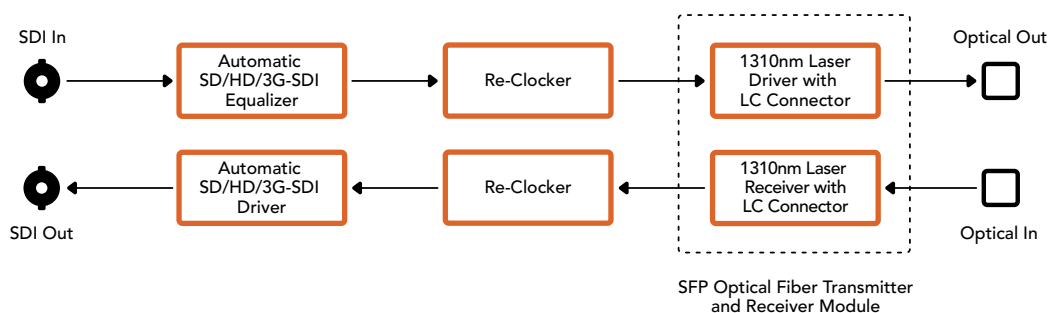
Модель Mini Converter Optical Fiber выполняет одновременное преобразование SDI-сигнала в оптический и обратно. Конвертер автоматически переключается между SD, HD и 3G-SDI, при этом оба направления являются полностью независимыми. Это позволяет значительно увеличить расстояние передачи SDI-сигнала. Так, при работе с SD-видео оно достигает 45 км, в то время как при использовании традиционного медного кабеля не превышает 92 м. Сигнал 3G-SDI можно передавать на 25 км!



## Разъемы

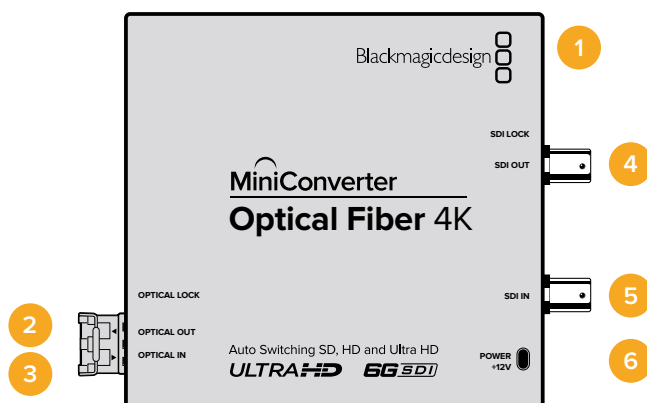
- 1 OPTICAL OUT**  
Оптический выход с разъемом LC для подключения одномодового кабеля.
- 2 OPTICAL IN**  
Оптический вход с разъемом LC для подключения одномодового кабеля.
- 3 3G-SDI OUT**  
SDI-выход с BNC-разъемом для подключения традиционного SDI-оборудования.
- 4 3G-SDI IN**  
SDI-вход с BNC-разъемом для подключения традиционного SDI-оборудования.
- 5 POWER +12V**  
Вход питания 12 В.

## Схема соединений Mini Converter Optical Fiber



## Mini Converter Optical Fiber 4K

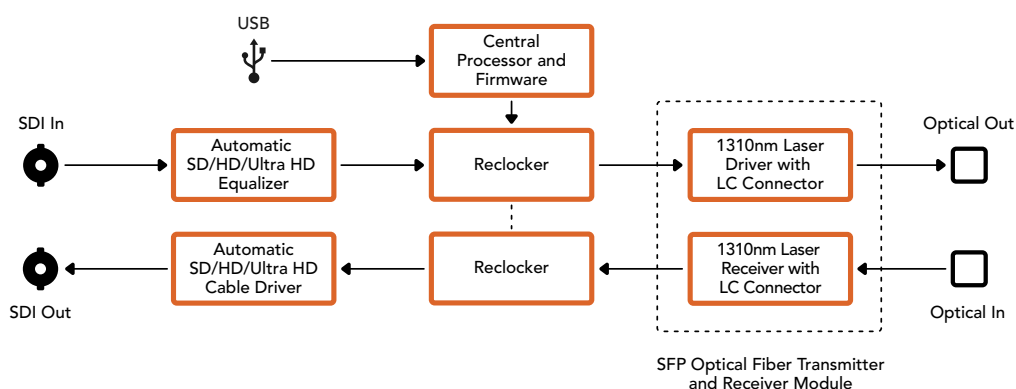
Эта модель выполняет одновременное преобразование сигнала SD/HD или Single Link 6G-SDI в оптический и в обратном направлении. Mini Converter Optical Fiber 4K автоматически переключается между SD, HD и 3G-SDI, при этом оба направления являются полностью независимыми. Это позволяет значительно увеличить расстояние передачи SDI-сигнала. Так, при работе с SD-видео оно достигает 45 км, в то время как при использовании традиционного медного кабеля не превышает 92 м. Сигнал 6G-SDI можно передавать на 12 км!



## Разъемы

- 1 Порт MINI-B USB**  
Служит для обновления встроенного ПО мини-конвертера.
- 2 OPTICAL OUT**  
Оптический выход с разъемом LC для подключения одномодового кабеля.
- 3 OPTICAL IN**  
Оптический вход с разъемом LC для подключения одномодового кабеля.
- 4 SDI OUT**  
SDI-выход с BNC-разъемом для подключения традиционного SDI-оборудования.
- 5 SDI IN**  
SDI-вход с BNC-разъемом для подключения традиционного SDI-оборудования.
- 6 POWER +12V**  
Вход питания 12 В.

## Схема соединений Mini Converter Optical Fiber 4K



## Mini Converter Optical Fiber 12G

Эта модель выполняет одновременное преобразование SD- или HD-сигнала (вплоть до 12G-SDI) в оптический поток и обратно.

Специальное гнездо позволяет установить оптический SFP-модуль по стандарту SMPTE с поддержкой 3G-, 6G- или 12G-SDI.

Устройство автоматически выбирает формат изображения на входе и использует его на выходе. Преобразование в двух направлениях выполняется автономно.

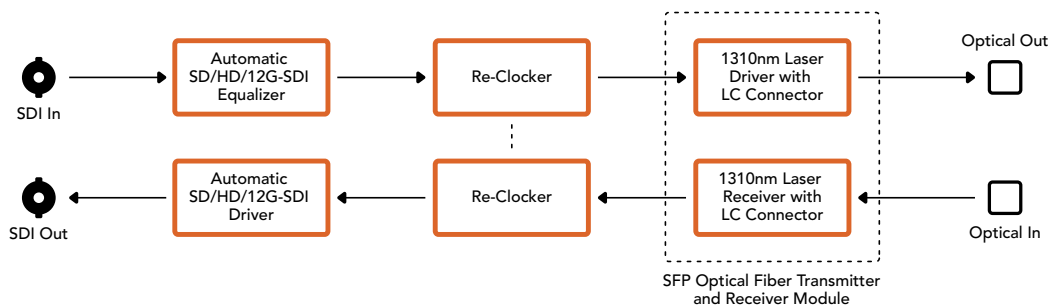
Это позволяет значительно увеличить расстояние передачи SDI-сигнала. Так, при работе с SD-видео оно достигает 45 км, в то время как при использовании традиционного медного кабеля не превышает 92 м. Сигнал 12G-SDI можно передавать на шесть километров.



### Разъемы

- 1 OPTICAL OUT**  
Оптический выход с разъемом LC для подключения одномодового кабеля.
- 2 OPTICAL IN**  
Оптический вход с разъемом LC для подключения одномодового кабеля.
- 3 SDI OUT**  
SDI-выход с BNC-разъемом для подключения SDI-оборудования.
- 4 SDI IN**  
SDI-вход с BNC-разъемом для подключения SDI-оборудования.
- 5 POWER +6 to 36V**  
Вход питания 6-36 В. Для предупреждения случайного отключения на электрическом разъеме устройства предусмотрено резьбовое соединение.

### Схема соединений Mini Converter Optical Fiber 12G



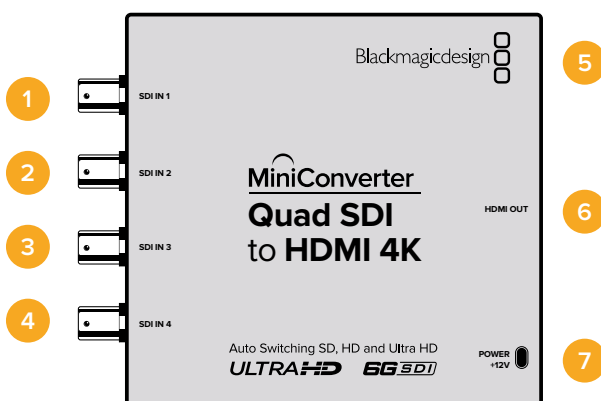


## Mini Converter Quad SDI to HDMI 4K

Модель Mini Converter Quad SDI to HDMI 4K позволяет передавать Ultra HD-видео как одно-, двух- или четырехканальный SDI-сигнал на последние модели HDMI-проекторов и телевизоров по одному кабелю. Ниже перечислены другие виды сигналов, которые можно выводить на HDMI-интерфейс с помощью этого конвертера.

- SD-SDI
- HD-SDI
- Single Link 3G-SDI
- Single Link 6G-SDI
- Dual Link HD-SDI
- Dual Link 3G-SDI Ultra HD
- Quad Link HD-SDI Ultra HD

Если к HDMI-выходу подключен HD-монитор или телевизор, будет автоматически выполнена понижающая конверсия. При работе с сигналом Dual Link необходимо использовать входы 1 и 2.



## Разъемы

Ниже перечислены форматы, поддерживаемые на каждом SDI-входе.

- 1 SDI In 1**
  - SD/HD-SDI
  - Single Link 3G-SDI
  - Single Link 6G-SDI
  - Dual Link HD-SDI (канал A)
  - Dual Link 3G-SDI Ultra HD (канал A)
  - Quad Link HD-SDI Ultra HD (канал A)
- 2 SDI In 2**
  - Dual Link HD-SDI (канал B)
  - Dual Link 3G-SDI Ultra HD (канал B)
  - Quad Link HD-SDI Ultra HD (канал B)
- 3 SDI In 3**
  - Quad Link HD-SDI Ultra HD (канал C)
- 4 SDI In 4**
  - Quad Link HD-SDI Ultra HD (канал D)

## 5 Порт MINI-B USB

Обеспечивает подключение к компьютеру с операционной системой Mac OS X или Windows для работы с утилитой Blackmagic Converters Setup. Также служит для обновления встроенного ПО мини-конвертера.

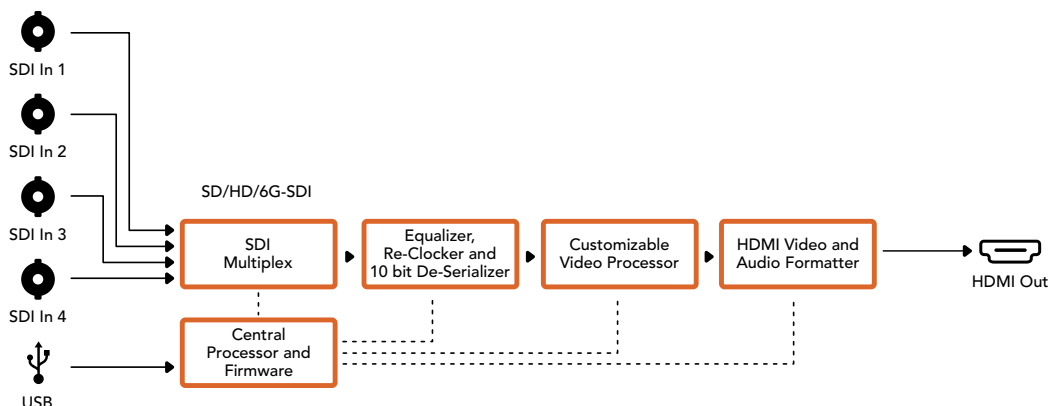
## 6 HDMI

HDMI-выход типа A.

## 7 POWER +12V

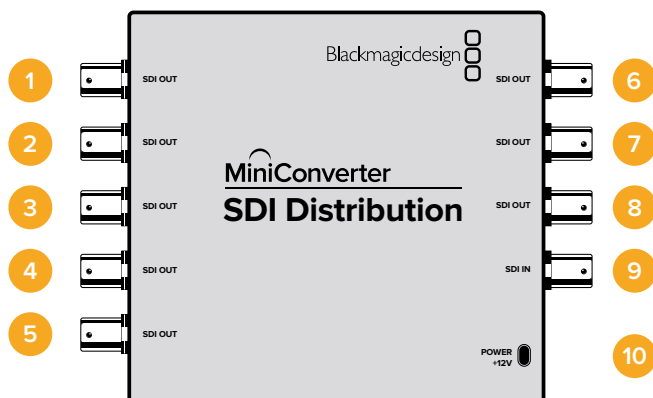
Вход питания 12 В.

### Схема соединений Mini Converter Quad SDI to HDMI 4K



## Mini Converter SDI Distribution

Модель Mini Converter SDI Distribution позволяет одновременно выводить SDI-сигнал на восемь SDI-устройств, в том числе деки, видеостены и микшеры. Конвертер обеспечивает автоматическое переключение между SD-SDI, HD-SDI и 3G-SDI, выполняя регенерацию сигнала на восьми выходах с поддержкой ASI, дополнительных данных и встроенного звука.



## Разъемы

### 1-8 SDI OUT

SDI-выходы с BNC-разъемами.

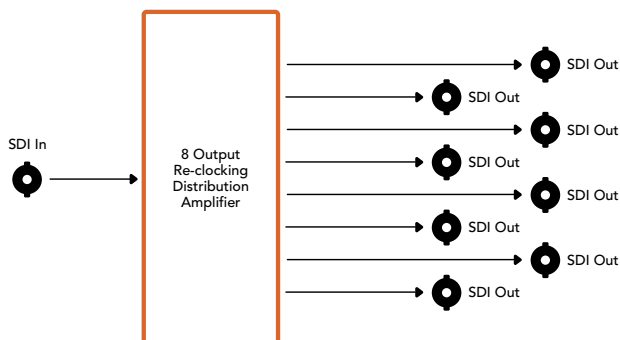
### 9 SDI IN

SDI-вход.

### 10 POWER +12V

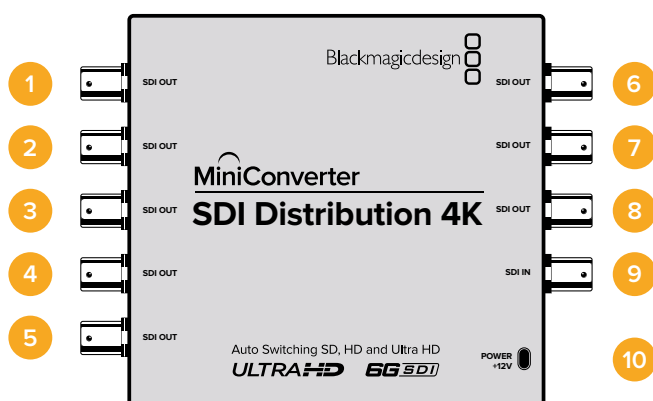
Вход питания 12 В.

## Схема соединений Mini Converter SDI Distribution



## Mini Converter SDI Distribution 4K

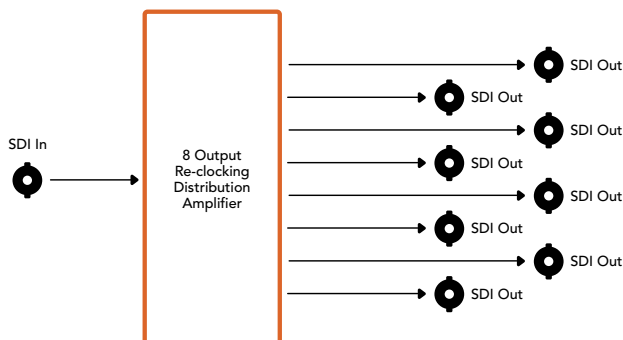
Модель Mini Converter SDI Distribution 4K позволяет одновременно выводить SDI-сигнал на восемь SDI-устройств, в том числе деки, видеостены и микшеры. Конвертер обеспечивает автоматическое переключение между SD-SDI, HD-SDI, 3G-SDI и 6G-SDI, выполняя регенерацию сигнала на восьми выходах с поддержкой ASI, дополнительных данных и встроенного звука.



## Разъемы

- 1-8 SDI OUT**  
SDI-выходы с BNC-разъемами.
- 9 SDI IN**  
SDI-вход.
- 10 POWER +12V**  
Вход питания 12 В.

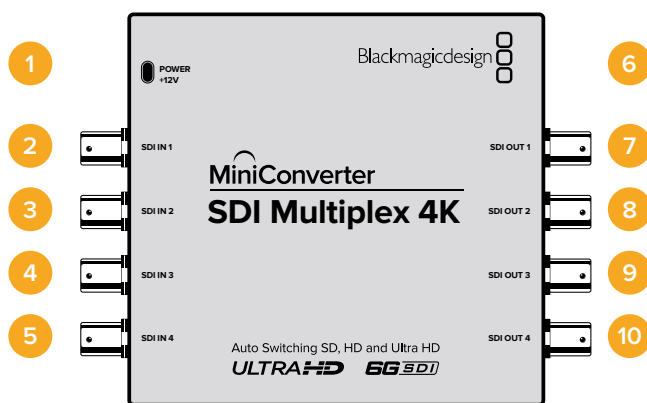
## Схема соединений Mini Converter SDI Distribution 4K



## Mini Converter SDI Multiplex 4K

Ниже перечислены виды преобразования, которые позволяет выполнять модель Mini Converter SDI Multiplex 4K.

- Распределение сигналов SD/HD и 6G-SDI на все четыре выхода.
- Распределение сигнала Dual Link HD-SDI на все четыре выхода 3G-SDI.
- Преобразование Single Link 3G-SDI в Dual Link HD-SDI. Двухканальный сигнал выводится на обе пары выходов.
- Преобразование Single Link 6G-SDI в Dual Link 3G-SDI или Quad Link 1.5G-SDI.
- Преобразование Quad Link HD-SDI Ultra HD в Single Link 6G-SDI или Dual Link 3G-SDI Ultra HD. Обеспечивает подключение Ultra HD-источников к Ultra HD-дисплеям с двухканальной передачей сигнала. Двухканальный сигнал выводится на обе пары выходов.
- Преобразование Dual Link 3G-SDI в Single Link 6G-SDI.
- Преобразование Dual Link 3G-SDI Ultra HD в Quad Link HD-SDI Ultra HD. Обеспечивает подключение Ultra HD-источников на основе Dual Link к Ultra HD-дисплеям с четырехканальной передачей сигнала.



## Разъемы

- 1 POWER +12V**
  - Вход питания 12 В.
  - Ниже перечислены форматы, поддерживаемые на каждом SDI-входе.
- 2 SDI In 1**
  - SD/HD-SDI
  - Single Link 3G-SDI
  - Single Link 6G-SDI
  - Dual Link HD-SDI (канал A)
  - Dual Link 3G-SDI Ultra HD (канал A)
  - Quad Link HD-SDI Ultra HD (канал A)
- 3 SDI In 2**
  - Dual Link HD-SDI (канал B)
  - Dual Link 3G-SDI Ultra HD (канал B)
  - Quad Link HD-SDI Ultra HD (канал B)
- 4 SDI In 3**
  - Quad Link HD-SDI Ultra HD (канал C)
- 5 SDI In 4**
  - Quad Link HD-SDI Ultra HD (канал D)

## 6 Порт MINI-B USB

Обеспечивает подключение к компьютеру с операционной системой Mac OS X или Windows для работы с утилитой Blackmagic Converters Setup. Также служит для обновления встроенного ПО мини-конвертера.

Ниже перечислены форматы, поддерживаемые на каждом SDI-выходе.

## 7 SDI OUT 1

- SD/HD-SDI
- Single Link 3G-SDI
- Single Link 6G-SDI
- Dual Link HD-SDI (канал A)
- Dual Link 3G-SDI Ultra HD (канал A)
- Quad Link HD-SDI Ultra HD (канал A)

## 8 SDI OUT 2

- SD/HD-SDI
- Single Link 3G-SDI
- Single Link 6G-SDI
- Dual Link HD-SDI (канал B)
- Dual Link 3G-SDI Ultra HD (канал B)
- Quad Link HD-SDI Ultra HD (канал B)

## 9 SDI OUT 3

- SD/HD-SDI
- Single Link 3G-SDI
- Single Link 6G-SDI
- Dual Link HD-SDI (канал A)
- Dual Link 3G-SDI Ultra HD (канал A)
- Quad Link HD-SDI Ultra HD (канал C)

## 10 SDI OUT 4

- SD/HD-SDI
- Single Link 3G-SDI
- Single Link 6G-SDI
- Dual Link HD-SDI (канал B)
- Dual Link 3G-SDI Ultra HD (канал B)
- Quad Link HD-SDI Ultra HD (канал D)

## Переключатели

Mini Converter SDI Multiplex 4K имеет переключатели, с помощью которых можно выбирать различные настройки преобразования.

### Переключатели 8, 7 и 6 — Format Conversion

Комбинация настроек для переключателей 8, 7 и 6 позволяет выбирать нужный вариант преобразования, например Dual Link HD-SDI в Single Link HD-SDI или Quad Link Ultra HD в Single Link Ultra HD.

### Переключатель 1 — Processing ON/OFF

Когда переключатель 1 находится в положении OFF (выкл.), Mini Converter SDI Multiplex 4K выполняет роль усилителя сигнала SD/HD/6G-SDI с его распределением на четыре выхода.

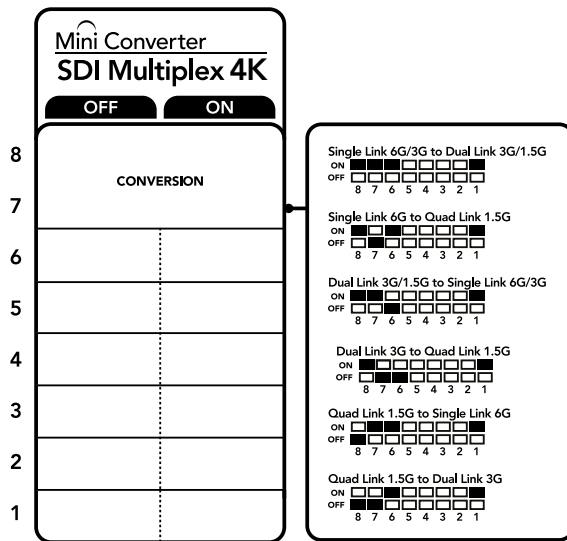


Схема на нижней поверхности корпуса содержит описание настроек, соответствующих разным положениям переключателей

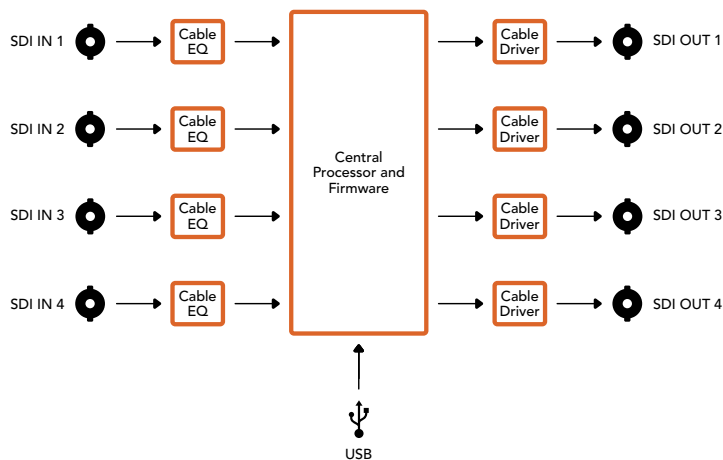
### Пример настроек переключателей

Если необходимо выполнить преобразование Quad Link Ultra HD в Dual Link Ultra HD, установите переключатель 8 в положение ON (вкл.), переключатель 7 — в положение OFF (выкл.).

### Настройки для преобразования SDI-сигнала

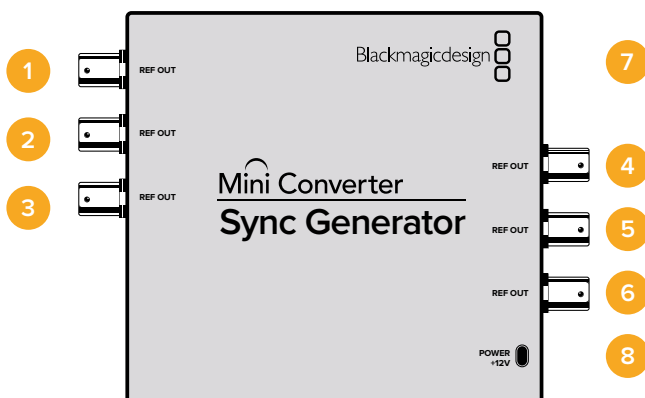
Преобразование	Переключатель 8	Переключатель 7	Переключатель 6	Переключатель 1	Положение переключателя
Преобразование Single Link 6G/3G-SDI в Dual Link 3G/1.5G-SDI	ON	ON	ON	ON	ON <input checked="" type="checkbox"/> <input type="checkbox"/> <input type="checkbox"/> <input type="checkbox"/> <input type="checkbox"/> <input type="checkbox"/> <input type="checkbox"/> <input type="checkbox"/> OFF <input type="checkbox"/> <input type="checkbox"/> <input type="checkbox"/> <input type="checkbox"/> <input type="checkbox"/> <input type="checkbox"/> <input type="checkbox"/> <input type="checkbox"/>
Преобразование Single Link 6G-SDI в Quad Link 1.5G-SDI	ON	OFF	ON	ON	ON <input checked="" type="checkbox"/> <input type="checkbox"/> <input type="checkbox"/> <input type="checkbox"/> <input type="checkbox"/> <input type="checkbox"/> <input type="checkbox"/> <input type="checkbox"/> OFF <input type="checkbox"/> <input checked="" type="checkbox"/> <input type="checkbox"/> <input type="checkbox"/> <input type="checkbox"/> <input type="checkbox"/> <input type="checkbox"/> <input type="checkbox"/>
Преобразование Dual Link 3G/1.5G-SDI в Single Link 6G/3G-SDI	ON	ON	OFF	ON	ON <input checked="" type="checkbox"/> <input checked="" type="checkbox"/> <input type="checkbox"/> <input type="checkbox"/> <input type="checkbox"/> <input type="checkbox"/> <input type="checkbox"/> <input type="checkbox"/> OFF <input type="checkbox"/> <input type="checkbox"/> <input checked="" type="checkbox"/> <input checked="" type="checkbox"/> <input type="checkbox"/> <input type="checkbox"/> <input type="checkbox"/> <input type="checkbox"/>
Преобразование Dual Link 3G-SDI в Quad Link 1.5G-SDI	ON	OFF	OFF	ON	ON <input checked="" type="checkbox"/> <input type="checkbox"/> <input type="checkbox"/> <input type="checkbox"/> <input type="checkbox"/> <input type="checkbox"/> <input type="checkbox"/> <input type="checkbox"/> OFF <input type="checkbox"/> <input checked="" type="checkbox"/> <input type="checkbox"/> <input type="checkbox"/> <input type="checkbox"/> <input type="checkbox"/> <input type="checkbox"/> <input type="checkbox"/>
Преобразование Quad Link 1.5G-SDI в Single Link 6G-SDI	OFF	ON	ON	ON	ON <input type="checkbox"/> <input checked="" type="checkbox"/> <input checked="" type="checkbox"/> <input type="checkbox"/> <input type="checkbox"/> <input type="checkbox"/> <input type="checkbox"/> <input type="checkbox"/> OFF <input checked="" type="checkbox"/> <input type="checkbox"/> <input type="checkbox"/> <input type="checkbox"/> <input type="checkbox"/> <input type="checkbox"/> <input type="checkbox"/> <input type="checkbox"/>
Преобразование Quad Link 1.5G-SDI в Dual Link 3G-SDI	OFF	OFF	ON	ON	ON <input type="checkbox"/> <input type="checkbox"/> <input checked="" type="checkbox"/> <input checked="" type="checkbox"/> <input type="checkbox"/> <input type="checkbox"/> <input type="checkbox"/> <input type="checkbox"/> OFF <input checked="" type="checkbox"/> <input type="checkbox"/> <input type="checkbox"/> <input type="checkbox"/> <input type="checkbox"/> <input type="checkbox"/> <input type="checkbox"/> <input type="checkbox"/>

## Схема соединений Mini Converter SDI Multiplex 4K



## Mini Converter Sync Generator

Модель Mini Converter Sync Generator имеет шесть выходов с кварцевой стабилизацией частоты для синхронизации оборудования с помощью сигнала tri-sync (HD) или blackburst (HD) в небольшой студии или на открытых площадках.



## Разъемы

### 1-6 REF OUT

Синхровыходы с BNC-разъемами.

### 7 Порт MINI-B USB

Обеспечивает подключение к компьютеру с операционной системой Mac OS X или Windows для работы с утилитой Blackmagic Converters Setup. Также служит для обновления встроенного ПО мини-конвертера.

### 8 POWER +12V

Вход питания 12 В.

## Переключатели

Mini Converter Sync Generator имеет переключатели, с помощью которых можно выбирать различные настройки преобразования.

### Переключатели 4, 3, 2 и 1 — SYNC REF FORMAT BIT 3, 2, 1 и 0

Переключатели 4, 3, 2 и 1 позволяют выбирать формат, используемый для синхронизации.

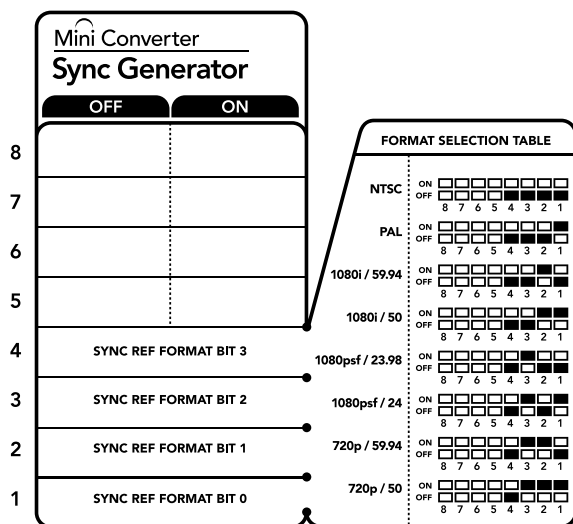


Схема на нижней поверхности корпуса содержит описание настроек, соответствующих разным положениям переключателей

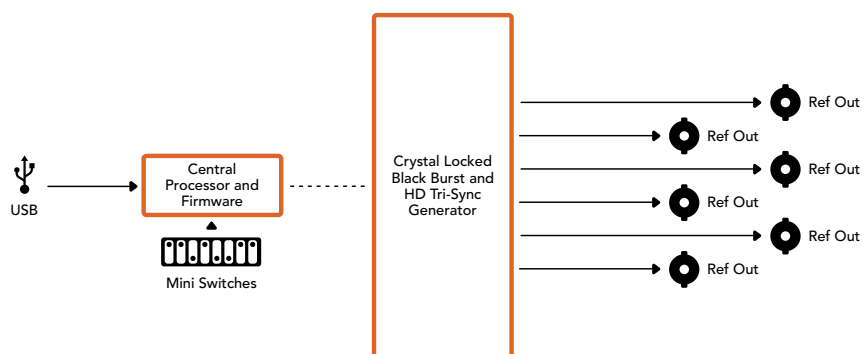
### Таблица поддерживаемых форматов

Формат видео	Переключатель 4	Переключатель 3	Переключатель 2	Переключатель 1	Положение переключателя
NTSC	OFF	OFF	OFF	OFF	ON OFF 8 7 6 5 4 3 2 1
PAL	OFF	OFF	OFF	ON	ON OFF 8 7 6 5 4 3 2 1
720p/50	OFF	ON	ON	ON	ON OFF 8 7 6 5 4 3 2 1
720p/59,94	OFF	ON	ON	OFF	ON OFF 8 7 6 5 4 3 2 1
720p/60	ON	ON	ON	OFF	ON OFF 8 7 6 5 4 3 2 1
1080i/50	OFF	OFF	ON	ON	ON OFF 8 7 6 5 4 3 2 1
1080i/59,94	OFF	OFF	ON	OFF	ON OFF 8 7 6 5 4 3 2 1
1080i/60	ON	OFF	OFF	OFF	ON OFF 8 7 6 5 4 3 2 1



Формат видео	Переключатель 4	Переключатель 3	Переключатель 2	Переключатель 1	Положение переключателя
1080PsF/23,98	OFF	ON	OFF	OFF	ON OFF 8 7 6 5 4 3 2 1
1080PsF/24	OFF	ON	OFF	ON	ON OFF 8 7 6 5 4 3 2 1
1080p/23,98	ON	ON	OFF	ON	ON OFF 8 7 6 5 4 3 2 1
1080p/24	ON	ON	OFF	OFF	ON OFF 8 7 6 5 4 3 2 1
1080p/25	ON	OFF	ON	ON	ON OFF 8 7 6 5 4 3 2 1
1080p/29,97	ON	OFF	ON	OFF	ON OFF 8 7 6 5 4 3 2 1
1080p/30	ON	OFF	OFF	ON	ON OFF 8 7 6 5 4 3 2 1

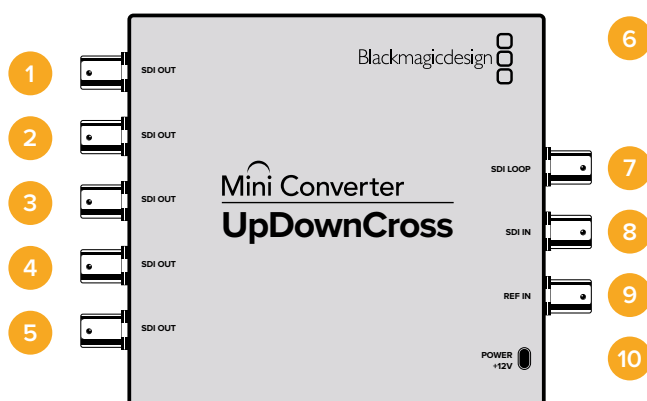
### Схема соединений Mini Converter Sync Generator



## Mini Converter UpDownCross

Модель Mini Converter UpDownCross выполняет повышающую, понижающую, перекрестную и форматную конверсию. Этот конвертер также обеспечивает преобразование между NTSC и PAL, 720p и 1080i. Кроме того, можно менять пропорции кадра: во время повышающей конверсии доступны опции 4:3 Pillarbox и 16:9 Zoom, при понижающей конверсии — Letterbox 4:3 и Anamorphic 16:9.

Когда переключатель конверсии установлен в положение OFF (выкл.), конвертер выполняет роль усилителя-распределителя SDI-сигнала.



## Разъемы

### 1-5 SDI OUT

SDI-выходы с BNC-разъемами.

### 6 Порт MINI-B USB

Обеспечивает подключение к компьютеру с операционной системой Mac OS X или Windows для работы с утилитой Blackmagic Converters Setup. Также служит для обновления встроенного ПО мини-конвертера.

### 7 SDI LOOP

Сквозной выход для вывода входящего сигнала.

### 8 SDI IN

SDI-вход.

### 9 REF IN

Синхровход.

### 10 POWER +12V

Вход питания 12 В.

## Переключатели

Mini Converter UpDownCross имеет переключатели, с помощью которых можно выбирать различные настройки преобразования.

### Переключатель 8 — Преобразование пропорций кадра

Комбинации переключателей 8 и 7 позволяют выбирать пропорции кадра при выполнении повышающей и понижающей конверсии. Например, если при понижающей конверсии переключатели 8 и 7 установлены в положение OFF (выкл.), будет использоваться режим Letterbox.



Ниже приводится описание каждого вида преобразования.

### Повышающая конверсия

- **4:3 Pillarbox.** Вывод изображения 4:3 SD в границах 16:9 HD с черными полосами по краям кадра.
- **14:9 Pillarbox.** Промежуточный вариант между 4:3 Pillarbox и 16:9 Zoom. Небольшое увеличение изображения 4:3 SD с сокращением размера черных полос по краям кадра и незначительной обрезкой сверху и снизу.
- **16:9 De-Squeeze.** Растягивание анаморфного изображения 4:3 SD для заполнения границ кадра 16:9 с сохранением всех оригинальных деталей.

### Понижающая конверсия

- **Letterbox.** Вывод изображения 16:9 HD в границах 4:3 SD без растягивания, с черными полосами сверху и внизу кадра.
- **Anamorphic.** Преобразование из 16:9 HD в 4:3 SD со сжатием по горизонтали.
- **Center Cut.** Преобразование из 4:3 SD в 16:9 HD с удалением части оригинального изображения по обеим сторонам кадра.

### Переключатель 1 — Processing Off/Processing On

Когда переключатель 1 установлен в положение OFF (выкл.), преобразование не выполняется. В этом случае конвертер можно использовать для вывода сигнала на шесть устройств с SDI-интерфейсом.

### Пример настроек переключателей

Если необходимо выполнить преобразование из 625i/50 (4:3) в 1080i/50 с применением режима 4:3 Pillarbox, установите переключатели 8 и 7 в положение OFF (выкл.), переключатели 3, 2 и 1 — в положение ON (вкл.).

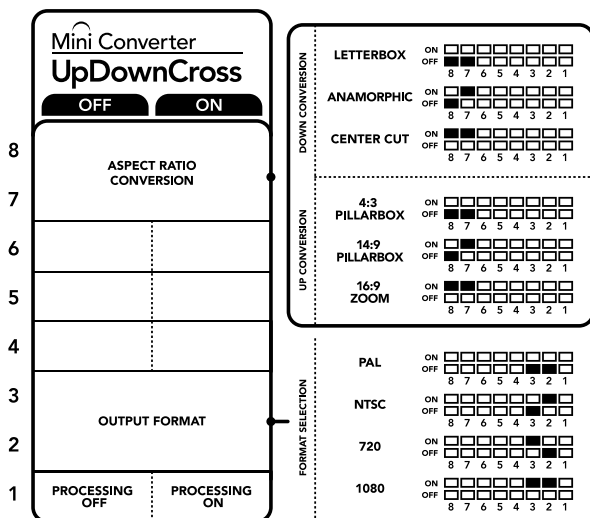
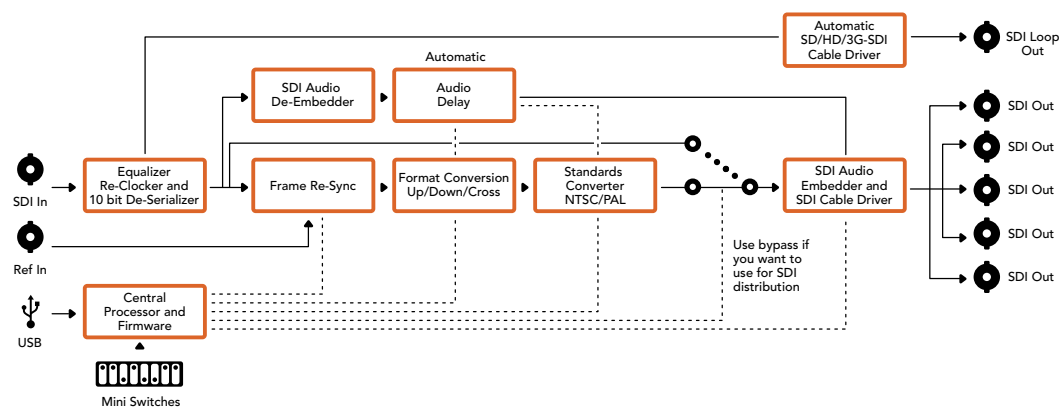


Схема на нижней поверхности корпуса содержит описание настроек, соответствующих разным положениям переключателей

## Варианты преобразования на Mini Converter UpDownCross

Видео на входе	NTSC Переключатели 1 и 2 — ON	PAL Переключатель 1 — ON	720p Переключатели 1 и 3 — ON	1080 Переключатели 1, 2 и 3 — ON
525i/59,94	525i/59,94	625i/50	720p/59,94	1080i/59,94
625i/50	525i/59,94	625i/50	720p/50	1080i/50
720p/50	525i/59,94	625i/50	720p/50	1080i/50
720p/59,94	525i/59,94	625i/50	720p/59,94	1080i/59,94
720p/60	525i/59,94	625i/50	720p/60	1080i/60
1080PsF/23,98	525i/59,94	625i/50	720p/59,94	1080PsF/23,98
1080p/23,98	525i/59,94	625i/50	720p/59,94	1080p/23,98
1080PsF/24	525i/59,94	625i/50	720p/50	1080PsF/24
1080p/24	525i/59,94	625i/50	720p/50	1080p/24
1080p/25	525i/59,94	625i/50	720p/50	1080p/25
1080p/29,97	525i/59,94	625i/50	720p/59,94	1080p/29,97
1080p/30	525i/59,94	625i/50	720p/60	1080p/30
1080i/50	525i/59,94	625i/50	720p/50	1080i/50
1080i/59,94	525i/59,94	625i/50	720p/59,94	1080i/59,94
1080i/60	525i/59,94	625i/50	720p/60	1080i/60
1080p/50	525i/59,94	625i/50	720p/50	1080p/50
1080p/59,94	525i/59,94	625i/50	720p/59,94	1080p/59,94
1080p/60	525i/59,94	625i/50	720p/60	1080p/60
2048x1556 PsF 23,98	525i/59,94	625i/50	2048x1556 PsF 23,98	2048x1556 PsF 23,98
2048x1556 PsF 24	525i/59,94	625i/50	2048x1556 PsF 24	2048x1556 PsF 24
2048x1556 PsF 25	525i/59,94	625i/50	2048x1556 PsF 25	2048x1556 PsF 25

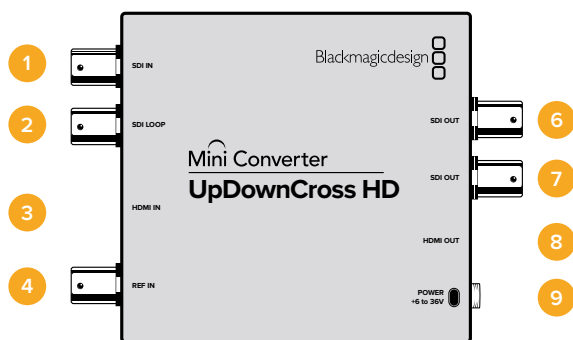
## Схема соединений Mini Converter UpDownCross



## Mini Converter UpDownCross HD

Модель позволяет выполнять повышающее, понижающее и перекрестное преобразование формата любого SD- или HD-изображения, получаемого через SDI- или HDMI-интерфейс. Конвертер поддерживает работу со всеми разновидностями SD и HD вплоть до 1080p/60, а также NTSC и PAL с возможностью изменения пропорций кадра. При подключении HDMI-оборудования допускается использование разрешений 1024 x 768, 800 x 600 и 640 x 480.

При отключении опции преобразования SDI- и HDMI-выходы становятся сквозными, что позволяет передавать поступающий сигнал на другое HDMI- или SDI-оборудование.



## Разъемы

### 1 SDI IN

SDI-вход. При обнаружении SDI-сигнала начинает мигать небольшой светодиодный индикатор, который находится рядом с BNC-разъемом. При одновременном использовании SDI- и HDMI-входов приоритет имеет SDI-поток.

### 2 SDI LOOP

Сквозной выход для вывода поступающего SDI-изображения.

### 3 HDMI IN

HDMI-вход типа A. При обнаружении входящего HDMI-сигнала начинает мигать небольшой светодиодный индикатор, который находится рядом с разъемом HDMI IN.

### 4 REF IN

Синхровход. На состояние синхровхода указывает небольшой светодиодный индикатор рядом с разъемом REF IN. Белого цвета, горит постоянно — форматы поступающего синхросигнала и изображения на выходе совпадают. Белого цвета, мигает — поступающий синхросигнал не совпадает по формату с изображением на выходе.

### 5 Порт USB-C

Служит для подключения к компьютеру с операционной системой Mac OS X или Windows и управления с помощью утилиты Blackmagic Converters Setup. Также позволяет выполнять обновление встроенного ПО мини-конвертера.

### 6-7 SDI OUT

SDI-выходы с BNC-разъемами.

### 8 HDMI OUT

HDMI-выход типа A.

### 9 POWER +6 to 36V

Вход питания 6-36 В. Для предупреждения случайного отключения на электрическом разъеме устройства предусмотрено резьбовое соединение. При подаче энергии начинает мигать находящийся рядом небольшой светодиодный индикатор.





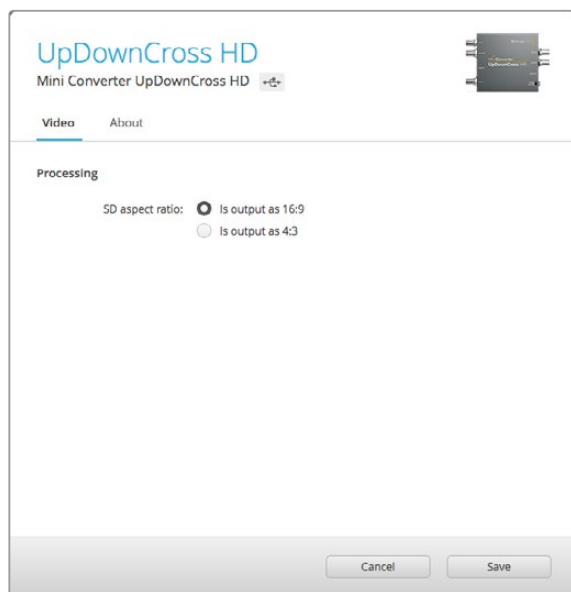


## Настройки утилиты Blackmagic Converters Setup

Утилита Blackmagic Converters Setup позволяет менять такие настройки мини-конвертера, как пропорции кадра, и обновлять его программное обеспечение. Заданные параметры сохраняются даже после отключения устройства. Для доступа к ним используют вкладки Video, Audio и About.

Работа с вкладкой About описана в разделе «Изменение настроек».

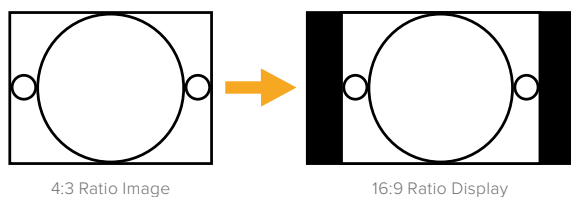
Вкладка Video для Mini Converter UpDownCross HD дает возможность выбрать описанные ниже опции.



Вкладка Video утилиты Blackmagic Converters Setup позволяет установить пропорции кадра для SD-изображения

### Пропорции кадра для SD-изображения

Эта настройка позволяет выводить изображение с пропорциями кадра 4:3 или 16:9. Если на вход поступает SD-видео с соотношением сторон 4:3 или 16:9, то при выборе соответствующей опции можно сохранить формат поступающего сигнала.

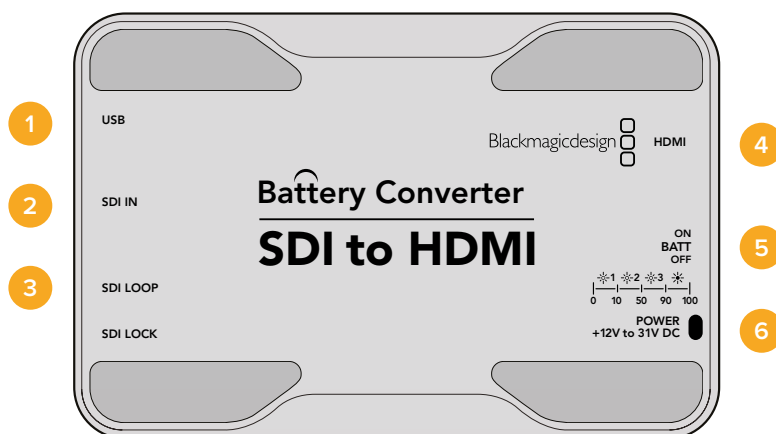


По умолчанию SD-видео выводится с пропорциями кадра 4:3, но при необходимости можно использовать соотношение 16:9. Нужную опцию выбирают на вкладке Video.

# Blackmagic Battery Converter

## Battery Converter SDI to HDMI

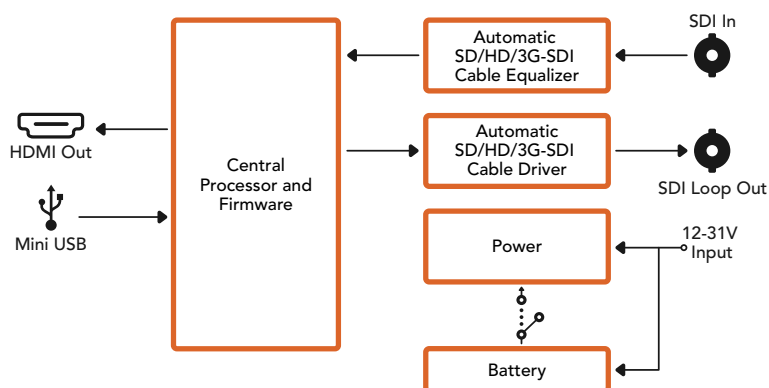
Модель Battery Converter SDI to HDMI позволяет выводить изображение с SDI-оборудования на дисплеи и видеопроекторы с HDMI-интерфейсом. После автоматического выбора SD, HD или 3G-SDI выполняется преобразование сигнала со встраиванием звука. Конвертер имеет корпус из авиационного алюминия, утопленные разъемы и встроенную заряжаемую батарею.



## Разъемы

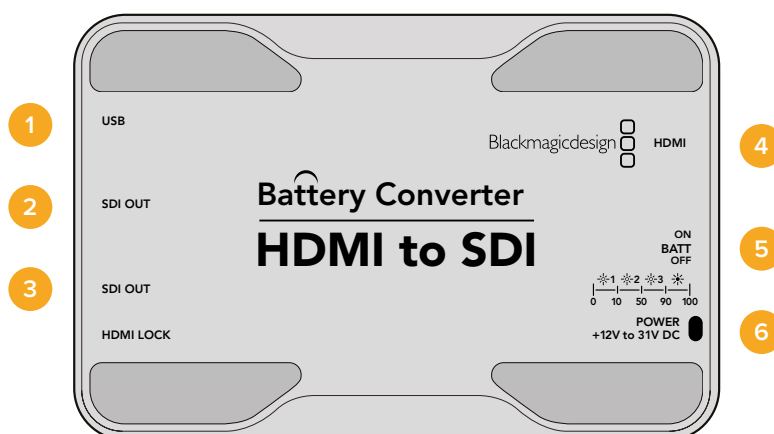
- 1 Порт MINI-B USB**  
Обеспечивает подключение к компьютеру с операционной системой Mac OS X или Windows для работы с утилитой Blackmagic Converters Setup. Также служит для обновления встроенного ПО мини-конвертера.
- 2 SDI IN**  
Основной SDI-вход с BNC-разъемом.
- 3 SDI LOOP**  
Сквозной SDI-выход с BNC-разъемом.
- 4 HDMI**  
HDMI-выход типа A.
- 5 ON BATT OFF**  
Переключатель питания. Когда он установлен в положение On, конвертер будет продолжать работать даже при отключении внешнего источника. Если переключатель находится в положении Off, используется только внешнее питание. Светодиодный индикатор рядом с переключателем горит непрерывно, когда батарея заряжена на 100%, мигает три и два раза при заряде 50-90% и 10-50% соответственно, а при уровне менее 10% загорается и гаснет.
- 6 POWER +12V**  
Вход питания 12 В.

## Схема соединений Battery Converter SDI to HDMI



## Battery Converter HDMI to SDI

Модель Battery Converter HDMI to SDI позволяет выводить сигнал HDMI-устройств (таких как HDV-камеры и игровые консоли) на технику с SDI-интерфейсом. Благодаря этому можно передавать изображение из HDMI-источника по SDI-кабелю на большое расстояние, а также подключать компьютер к SDI-оборудованию. Конвертер имеет корпус из авиационного алюминия, утолщенные разъемы и встроенную заряжаемую батарею.



## Разъемы

- 1 Порт MINI-B USB**  
Обеспечивает подключение к компьютеру с операционной системой Mac OS X или Windows для работы с утилитой Blackmagic Converters Setup. Также служит для обновления встроенного ПО мини-конвертера.
- 2 SDI OUT**  
SDI-выход с BNC-разъемом.
- 3 SDI OUT**  
Второй SDI-выход.
- 4 HDMI**  
HDMI-вход типа A.

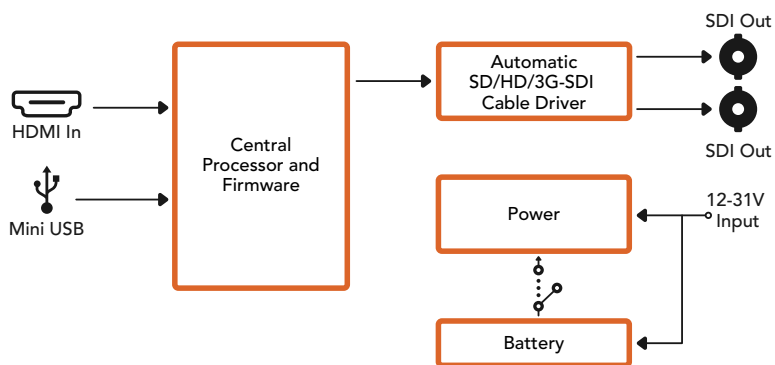
**5 ON BATT OFF**

Переключатель питания. Когда он установлен в положение On, конвертер будет продолжать работать даже при отключении внешнего источника. Если переключатель находится в положении Off, используется только внешнее питание. Светодиодный индикатор рядом с переключателем горит непрерывно, когда батарея заряжена на 100%, мигает три и два раза при заряде 50-90% и 10-50% соответственно, а при уровне менее 10% загорается и гаснет.

**6 POWER +12V**

Вход питания 12 В.

Схема соединений Battery Converter HDMI to SDI



# Помощь

## Как получить помощь

Самый быстрый способ получить помощь — обратиться к страницам поддержки на сайте Blackmagic Design и проверить наличие последних справочных материалов по Blackmagic Converter.

### Страница поддержки на сайте Blackmagic Design

Последние версии руководства по эксплуатации, программного обеспечения и дополнительную информацию можно найти в разделе поддержки Blackmagic Design на странице [www.blackmagicdesign.com/ru/support](http://www.blackmagicdesign.com/ru/support).

### Форум сообщества Blackmagic Design

Полезным источником информации является форум сообщества на веб-сайте Blackmagic Design. На нем можно поделиться своими идеями, а также получить помощь от персонала поддержки и других пользователей. Адрес форума <http://forum.blackmagicdesign.com>.

### Обращение в Службу поддержки Blackmagic Design

Если с помощью доступных справочных материалов и форума решить проблему не удалось, воспользуйтесь формой «Отправить нам сообщение» на странице поддержки. Можно также позвонить в ближайшее представительство Blackmagic Design, телефон которого вы найдете на нашем веб-сайте.

### Проверка используемой версии программного обеспечения

Чтобы узнать версию Blackmagic Converters Setup, установленную на вашем компьютере, откройте окно About Blackmagic Converters Setup.

- При работе в операционной системе Mac OS X откройте Blackmagic Converters Setup в папке «Приложения». В меню выберите About Blackmagic Converters Setup, чтобы узнать номер версии.
- При работе в операционной системе Windows 7 откройте меню «Пуск» и выберите Blackmagic Converters Setup. В меню «Помощь» выберите About Blackmagic Converters Setup, чтобы узнать номер версии.
- При работе в операционной системе Windows 8 на экране «Пуск» выберите Blackmagic Converters Setup. В меню «Помощь» выберите About Blackmagic Converters Setup, чтобы узнать номер версии.

### Загрузка последних версий программного обеспечения

Узнав установленную версию утилиты Blackmagic Converters Setup, перейдите в центр поддержки Blackmagic на странице [www.blackmagicdesign.com/ru/support](http://www.blackmagicdesign.com/ru/support), чтобы проверить наличие обновлений.

Рекомендуется всегда использовать последнюю версию программного обеспечения, однако обновление лучше всего выполнять после завершения текущего проекта.

# Гарантия

## Ограниченная гарантия сроком 12 месяцев

Компания Blackmagic Design гарантирует отсутствие в продуктах Mini Converter и Mini Converter Heavy Duty дефектов материала и производственного брака в течение 36 месяцев с даты продажи. Для разъемов, кабелей, оптических модулей, предохранителей и аккумуляторных батарей такая гарантия составляет 12 месяцев с даты продажи. Для моделей Battery Converter гарантия отсутствия дефектов материала и производственного брака действует в течение 12 месяцев с даты продажи. Если во время гарантийного срока будут выявлены дефекты, Blackmagic Design по своему усмотрению выполнит ремонт неисправного изделия без оплаты стоимости запчастей и трудозатрат или заменит такое изделие новым.

Чтобы воспользоваться настоящей гарантией, потребитель обязан уведомить компанию Blackmagic Design о дефекте до окончания гарантийного срока и обеспечить условия для предоставления необходимых услуг. Потребитель несет ответственность за упаковку и доставку неисправного изделия в соответствующий сервисный центр Blackmagic Design с оплатой почтовых расходов. Потребитель обязан оплатить все расходы по доставке и страхованию, пошлины, налоги и иные сборы в связи с возвратом изделия вне зависимости от причины возврата.

Настоящая гарантия не распространяется на дефекты, отказы и повреждения, возникшие из-за ненадлежащего использования, неправильного ухода или обслуживания. Компания Blackmagic Design не обязана предоставлять услуги по настоящей гарантии: а) для устранения повреждений, возникших в результате действий по установке, ремонту или обслуживанию изделия лицами, которые не являются персоналом Blackmagic Design; б) для устранения повреждений, возникших в результате ненадлежащего использования или подключения к несовместимому оборудованию; в) для устранения повреждений или дефектов, вызванных использованием запчастей или материалов других производителей; г) если изделие было модифицировано или интегрировано с другим оборудованием, когда такая модификация или интеграция увеличивает время или повышает сложность обслуживания изделия. НАСТОЯЩАЯ ГАРАНТИЯ ПРЕДОСТАВЛЯЕТСЯ КОМПАНИЕЙ BLACKMAGIC DESIGN ВМЕСТО ЛЮБЫХ ДРУГИХ ПРЯМО ВЫРАЖЕННЫХ ИЛИ ПОДРАЗУМЕВАЕМЫХ ГАРАНТИЙ. КОМПАНИЯ BLACKMAGIC DESIGN И ЕЕ ДИЛЕРЫ ОТКАЗЫВАЮТСЯ ОТ ЛЮБЫХ ПОДРАЗУМЕВАЕМЫХ ГАРАНТИЙ КОММЕРЧЕСКОЙ ЦЕННОСТИ ИЛИ ПРИГОДНОСТИ ДЛЯ КАКОЙ-ЛИБО ОПРЕДЕЛЕННОЙ ЦЕЛИ. ОТВЕТСТВЕННОСТЬ BLACKMAGIC DESIGN ПО РЕМОНТУ ИЛИ ЗАМЕНЕ НЕИСПРАВНЫХ ИЗДЕЛИЙ ЯВЛЯЕТСЯ ПОЛНЫМ И ИСКЛЮЧИТЕЛЬНЫМ СРЕДСТВОМ ВОЗМЕЩЕНИЯ, ПРЕДОСТАВЛЯЕМЫМ ПОТРЕБИТЕЛЮ В СВЯЗИ С КОСВЕННЫМИ, ФАКТИЧЕСКИМИ, СОПУТСТВУЮЩИМИ ИЛИ ПОСЛЕДУЮЩИМИ УБЫТКАМИ, ВНЕ ЗАВИСИМОСТИ ОТ ТОГО, БЫЛА ИЛИ НЕТ КОМПАНИЯ BLACKMAGIC DESIGN (ЛИБО ЕЕ ДИЛЕР) ПРЕДВАРИТЕЛЬНО ИЗВЕЩЕНА О ВОЗМОЖНОСТИ ТАКИХ УБЫТКОВ. BLACKMAGIC DESIGN НЕ НЕСЕТ ОТВЕТСТВЕННОСТИ ЗА ПРОТИВОПРАВНОЕ ИСПОЛЬЗОВАНИЕ ОБОРУДОВАНИЯ СО СТОРОНЫ ПОТРЕБИТЕЛЯ. BLACKMAGIC DESIGN НЕ НЕСЕТ ОТВЕТСТВЕННОСТИ ЗА УБЫТКИ, ВОЗНИКАЮЩИЕ ВСЛЕДСТВИЕ ИСПОЛЬЗОВАНИЯ ЭТОГО ИЗДЕЛИЯ. РИСКИ, СВЯЗАННЫЕ С ЕГО ЭКСПЛУАТАЦИЕЙ, ВОЗЛАГАЮТСЯ НА ПОТРЕБИТЕЛЯ.

© Copyright 2018 Blackmagic Design. Все права защищены. Blackmagic Design, DeckLink, HDLink, Workgroup Videohub, Multibridge Pro, Multibridge Extreme, Intensity и "Leading the creative video revolution" зарегистрированы как товарные знаки в США и других странах. Названия других компаний и наименования продуктов могут являться товарными знаками соответствующих правообладателей.



Blackmagicdesign 



Manuale di istruzioni

# Blackmagic Converter

Giugno 2018

Italiano



## Benvenuto e benvenuta

Grazie per aver acquistato un convertitore Blackmagic.

Blackmagic Mini Converter, Mini Converter Heavy Duty, Battery Converter e Micro Converter offrono qualsiasi tipo di conversione. I modelli Mini Converter convertono l'analogico in digitale e viceversa, e i segnali SDI in audio e viceversa. Eseguono conversioni in risoluzione inferiore o superiore, e incrociate. Consentono la distribuzione SDI e la sincronizzazione dei dispositivi video allo stesso segnale di riferimento. Mini Converter Heavy Duty effettua le stesse conversioni con un design ultrasensibile, ideale per le produzioni in loco. Per lavorare con o senza alimentazione esterna, scegli i modelli Battery Converter. La gamma Blackmagic Micro Converter offre modelli ancora più compatti. Progettati per le comuni conversioni dall'SDI all'HD/SDI e viceversa, consentono la connessione dei sistemi HD/SDI ai registratori e agli switcher SDI, e dei prodotti video SDI ai monitor HD/SDI.

Il manuale di istruzioni contiene tutte le informazioni per installare e utilizzare i convertitori Blackmagic.

La versione più recente di questo manuale e gli aggiornamenti software dei convertitori Blackmagic sono disponibili sulla pagina Supporto del nostro sito [www.blackmagicdesign.com/it](http://www.blackmagicdesign.com/it). È importante aggiornare il software regolarmente per disporre delle ultime funzioni. Una volta scaricato il software, registra i tuoi dati personali per ricevere le notifiche sugli aggiornamenti futuri. Blackmagic è in costante stato di innovazione. Ti invitiamo a lasciare i tuoi preziosi suggerimenti per consentirci di migliorare prestazioni e funzionalità.

**Grant Petty**

AD di Blackmagic Design



# Indice

## Blackmagic Converter

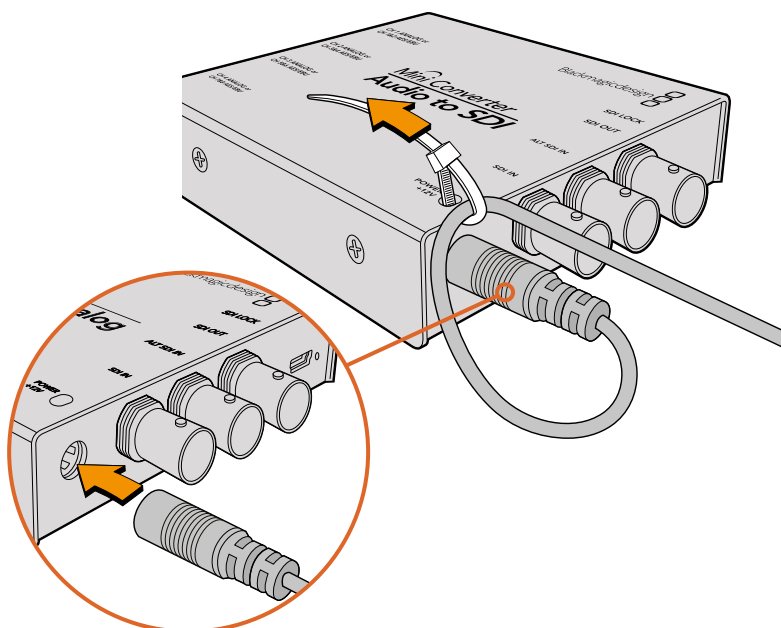
<b>Operazioni preliminari</b>	<b>725</b>	Mini Converter HDMI to SDI	751
Collegare l'alimentazione	725	Mini Converter HDMI to SDI 4K	754
Collegare la fonte video	726	Mini Converter HDMI to SDI 6G	757
Collegare la fonte audio	727	Mini Converter SDI to Analog	760
<b>Installare il software di amministrazione</b>	<b>728</b>	Mini Converter SDI to Analog 4K	765
Installare Blackmagic Converter Setup	728	Mini Converter Analog to SDI	769
Aggiornare il software interno	729	Mini Converter SDI to Audio	773
Aggiornare Mini Converter SDI Distribution 4K	730	Mini Converter SDI to Audio 4K	776
<b>Cambiare le impostazioni</b>	<b>731</b>	Mini Converter Audio to SDI	779
Cambiare le impostazioni con gli interruttori	731	Mini Converter Audio to SDI 4K	783
Cambiare le impostazioni con Blackmagic Converter Setup	732	Mini Converter Optical Fiber	787
<b>I modelli dei convertitori Blackmagic</b>	<b>733</b>	Mini Converter Optical Fiber 4K	788
<b>I convertitori Teranex Mini</b>	<b>733</b>	Mini Converter Optical Fiber 12G	789
<b>I convertitori Micro Converter</b>	<b>734</b>	Mini Converter Quad SDI to HDMI 4K	790
Micro Converter SDI to HDMI	734	Mini Converter SDI Distribution	791
Micro Converter HDMI to SDI	735	Mini Converter SDI Distribution 4K	792
Micro Converter BiDirectional SDI/HDMI	737	Mini Converter SDI Multiplex 4K	793
<b>I convertitori Mini Converter</b>	<b>739</b>	Mini Converter Sync Generator	796
Mini Converter SDI to HDMI	739	Mini Converter UpDownCross	799
Mini Converter SDI to HDMI 4K	742	Mini Converter UpDownCross HD	803
Mini Converter SDI to HDMI 6G	746	Utilità di sistema	806
		<b>Blackmagic Battery Converter</b>	<b>807</b>
		Battery Converter SDI to HDMI	807
		Battery Converter HDMI to SDI	808
		<b>Assistenza</b>	<b>810</b>
		<b>Garanzia</b>	<b>811</b>

## Operazioni preliminari

Collega l'alimentazione, la fonte video all'apposito ingresso del convertitore, e l'uscita video al dispositivo di destinazione.

### Collegare l'alimentazione

Collega il cavo di alimentazione 12V incluso utilizzando l'adattatore per il tuo Paese. Fissa il cavo con la fascetta di serraggio se il dispositivo dispone dell'apposito foro.



Fissa il cavo al convertitore con la fascetta di serraggio per evitare la disconnessione accidentale.

### Micro Converter

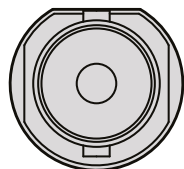
Blackmagic Micro Converter si alimenta tramite una connessione micro USB. È una soluzione comoda e flessibile perché consente di sfruttare il caricatore dei comuni smart phone, oppure la connessione USB del computer. Blackmagic Micro Converter si alimenta collegandolo a qualsiasi dispositivo 5V tramite un cavo USB o micro USB standard.

### Battery Converter

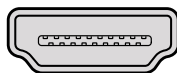
I modelli Blackmagic Battery Converter hanno un interruttore denominato "On Batt Off" per passare dall'alimentazione di corrente alla batteria. Imposta l'interruttore su ON per utilizzare la batteria interna in assenza di alimentazione esterna, su OFF per sfruttare unicamente l'alimentazione esterna e risparmiare la carica della batteria. La spia LED accanto all'interruttore rimane accesa quando la batteria è carica al 100%, lampeggia tre volte tra il 50% e il 90%, due volte tra il 10% e il 50%, e una volta se la carica residua è inferiore al 10%.

## Collegare la fonte video

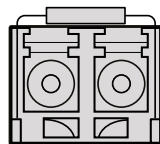
Per connettere ingressi e uscite video, collega la fonte video all'apposito ingresso del convertitore, e l'uscita video al dispositivo di destinazione.



BNC



HDMI

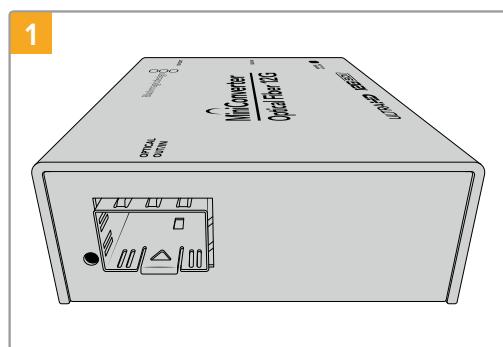


Optical Fiber

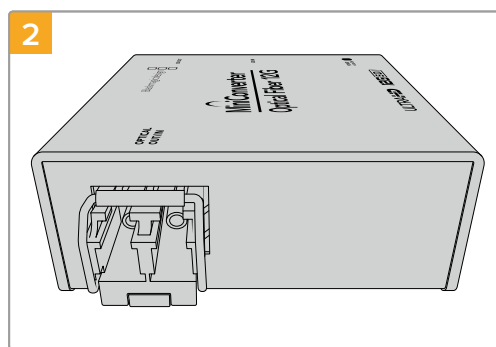
A seconda del modello di convertitore Blackmagic, troverai connettori BNC, HDMI o LC per fibra ottica.

### Connessione per fibra ottica

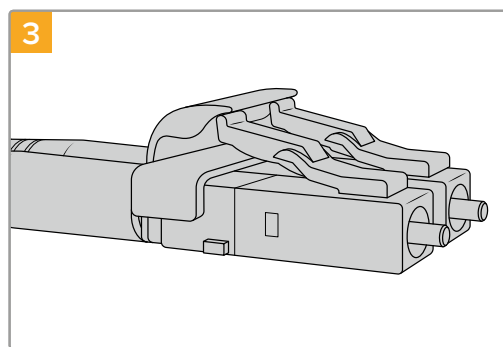
Alcuni modelli di convertitori includono una porta SFP per connettere moduli SFP in fibra ottica compatibili con video 3G, 6G, o 12G-SDI. Il modulo è un ricetrasmittitore ottico dotato di connettori per cavi in fibra ottica.



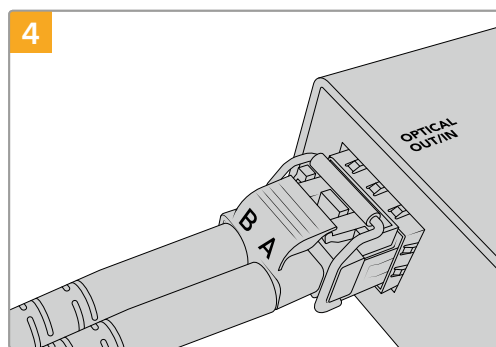
Assicurati che all'interno della porta non ci siano depositi di polvere.



Rimuovi la protezione dal modulo SFP e inseriscilo nella porta SFP. Sentirai un clic quando il modulo si ancora saldamente alla porta.



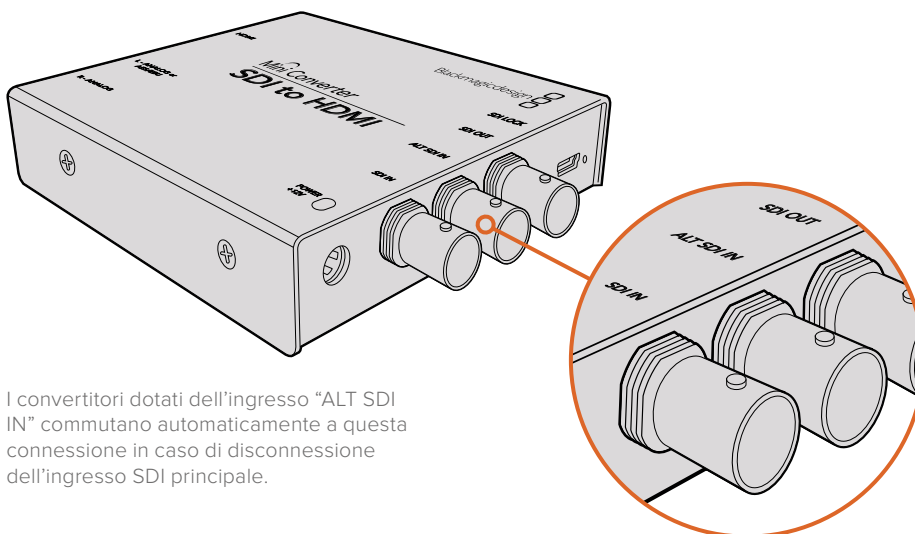
I cavi in fibra ottica sono dotati di piccole alette di aggancio che evitano la disconnessione.



Inserisci i cavi nel modulo. Assicurati che i cavi In e Out siano inseriti nell'alloggiamento giusto, e che le alette di aggancio mantengano la levetta del modulo verso l'alto.

### Ingressi SDI ridondanti

Alcuni modelli di convertitori Blackmagic includono ingressi SDI ridondanti denominati "ALT SDI IN" che subentrano in caso di disconnessione dell'ingresso SDI principale. In questa rara evenienza, la spia "SDI LOCK" lampeggia a indicare che il convertitore è passato all'ingresso ridondante.

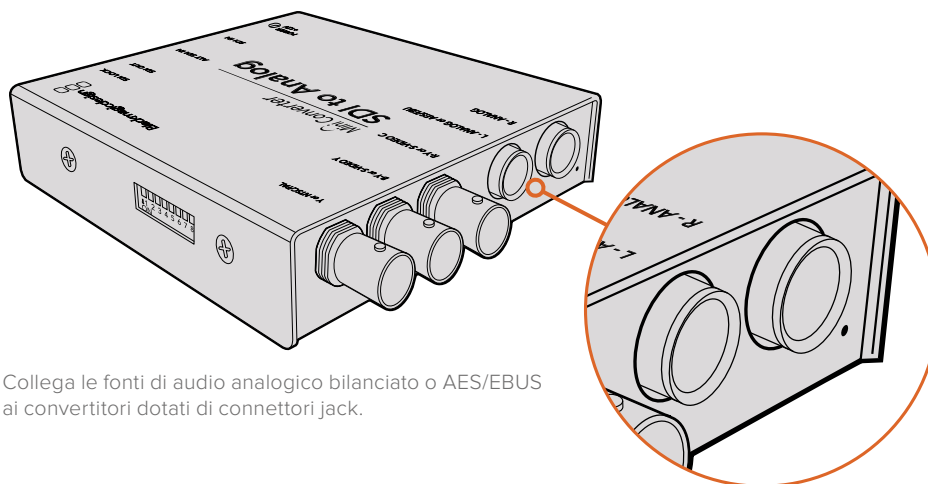


I convertitori dotati dell'ingresso "ALT SDI IN" commutano automaticamente a questa connessione in caso di disconnessione dell'ingresso SDI principale.

## Collegare la fonte audio

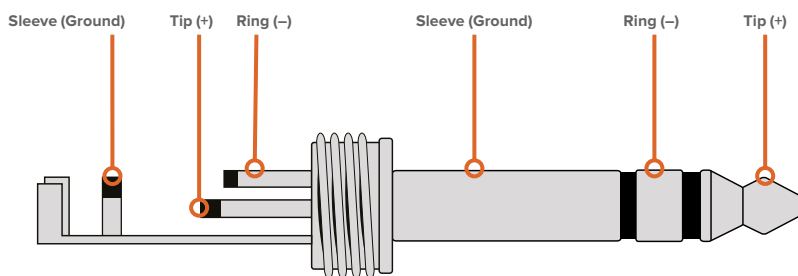
### Connettori jack

Alcuni convertitori Blackmagic ospitano connettori jack 1/4" per connettere le fonti esterne di audio analogico bilanciato o AES/EBU digitale. I jack 1/4" sono connettori TRS bilanciati. La dicitura TRS sta per "Tip" (Punta), "Ring" (Anello) e "Sleeve" (Manica).



Collega le fonti di audio analogico bilanciato o AES/EBUS ai convertitori dotati di connettori jack.

Se desideri costruire il tuo cavo audio, fai riferimento all'illustrazione qui sotto che mostra i contatti interni di un connettore jack 1/4".



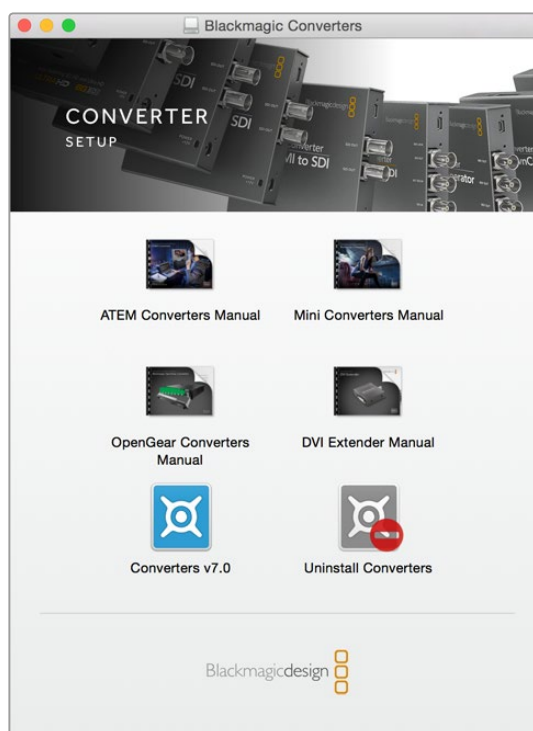
L'illustrazione nella pagina precedente mostra la disposizione dei contatti Tip (+), Ring (-) e Sleeve (Ground) di un connettore jack. Per cambiare la polarità del cavo analogico e assecondare la strumentazione audio a disposizione, inverti i contatti Tip (+) e Ring (-).

**NOTA** Se connetti audio analogico stereo cambiando la polarità dei contatti del connettore jack, è importante effettuare la stessa operazione anche sul secondo connettore per evitare che l'audio sia fuori sincrono.

## Installare il software di amministrazione

### Installare Blackmagic Converter Setup

Blackmagic Converter Setup consente di cambiare le impostazioni del convertitore e di aggiornare il software interno. Le impostazioni disponibili cambiano a seconda del convertitore. Alcuni modelli non richiedono il cambiamento delle impostazioni e non dispongono di un software interno o di un connettore USB. Se hai acquistato uno di questi modelli, passa alla sezione del manuale interessata.



Blackmagic Teranex Setup si installa su Mac OS X e Windows.

#### Installazione su Mac OS X

- 1 Scarica Blackmagic Converter Setup dal sito [www.blackmagicdesign.com/it](http://www.blackmagicdesign.com/it).
- 2 Estrai il file Zip scaricato e clicca sull'immagine disco per visualizzare i contenuti.
- 3 Clicca su "Installer" e segui le istruzioni a schermo per completare l'installazione.
- 4 A installazione completata, clicca su "Close". L'installazione di Blackmagic Converter Setup è completa.

## Installazione su Windows

- 1 Scarica Blackmagic Converter Setup dal sito [www.blackmagicdesign.com/it](http://www.blackmagicdesign.com/it).
- 2 Estrai il file Zip scaricato. La cartella Blackmagic Converter Setup contiene il PDF di questo manuale e l'applicazione di installazione Blackmagic Converter Setup.
- 3 Clicca su "Installer" e segui le istruzioni a schermo per completare l'installazione.
- 4 Clicca su "Finish" per completare l'installazione.

L'installazione di Blackmagic Converter Setup è completa.

## Aggiornare il software interno

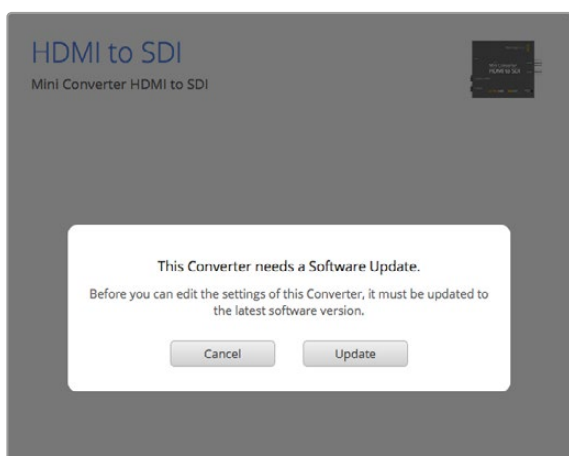
Se il tuo convertitore Blackmagic ospita una porta USB, potrebbe essere necessario cambiare alcune impostazioni. Sfrutta la connessione USB per aggiornare il software interno. Gli ultimi aggiornamenti software sono disponibili sul sito Blackmagic Design alla pagina di supporto [www.blackmagicdesign.com/it/support](http://www.blackmagicdesign.com/it/support).

Durante l'aggiornamento dei modelli Blackmagic Micro Converter la connessione USB alimenta il convertitore.

Per alimentare i modelli Blackmagic Mini Converter, Battery Converter e Mini Converter Heavy Duty collegali a un computer tramite USB.

- 1 Collega l'alimentazione.
- 2 Collega un cavo USB dal computer al convertitore e lancia Blackmagic Converter Setup.

La schermata principale dell'utilità mostra il modello del convertitore. Se più convertitori sono connessi tramite USB, clicca sulle frecce a destra e a sinistra della schermata principale per selezionare il modello desiderato.



Blackmagic Converter Setup suggerisce di aggiornare il software interno se rileva una versione precedente.

La schermata principale mostra il messaggio "No converters found" quando non è rilevato alcun convertitore. Se il convertitore è connesso al computer tramite USB, ma non è collegato all'alimentazione, la schermata principale mostra il messaggio "No power connected". Collega il convertitore alla fonte di alimentazione per accedere alle impostazioni.

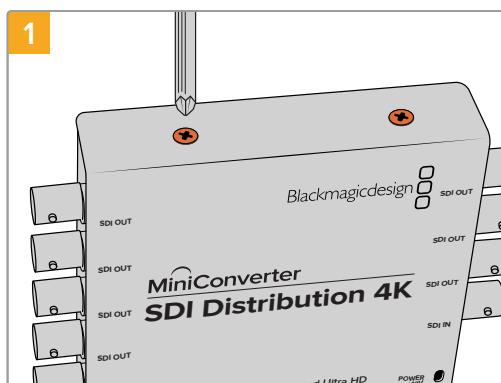
Blackmagic Converter Setup suggerisce di aggiornare il software interno se rileva una versione precedente. Segui le istruzioni a schermo per completare l'aggiornamento.

## Aggiornare Mini Converter SDI Distribution 4K

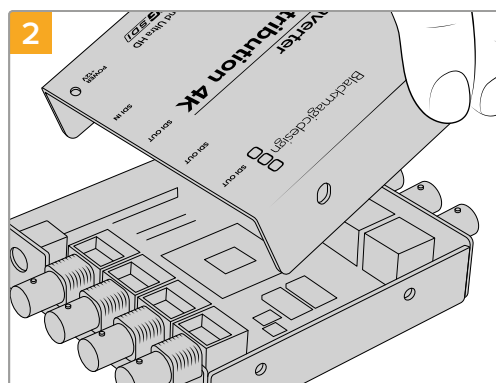
Blackmagic Mini Converter SDI Distribution 4K ospita un connettore USB interno. Le impostazioni di questo mini convertitore non sono modificabili dall'utente, quindi non ci sarà mai bisogno di usare l'utilità di sistema. Di tanto in tanto però vengono rilasciati aggiornamenti del software interno per migliorare la compatibilità con alcuni dispositivi. Per esempio, l'update Converters 7.0.9 migliora la compatibilità del convertitore con i segnali 3G-SDI di livello A.

Se è disponibile un aggiornamento pertinente alla strumentazione connessa a Mini Converter SDI Distribution 4K, segui queste istruzioni per accedere al connettore USB del convertitore:

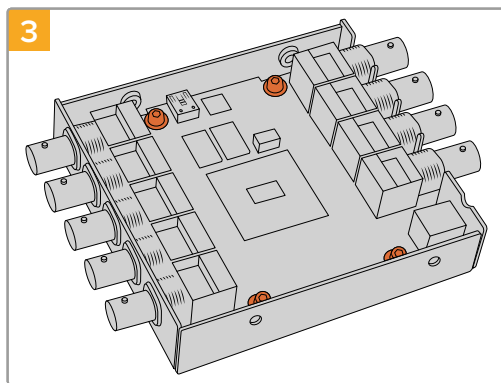
**NOTA** Assicurati di scollegare l'alimentazione prima di accedere alle parti interne di Mini Converter SDI Distribution 4K. È consigliabile rivolgersi a personale qualificato, e usare un bracciale anti statico.



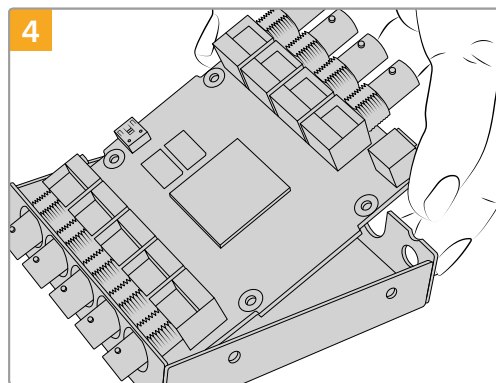
Con un cacciavite a croce estrai le quattro viti M3 dai lati di Mini Converter SDI Distribution 4K.



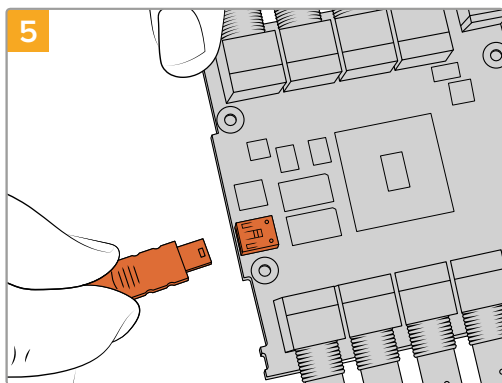
Rimuovi il pezzo di copertura esterno.



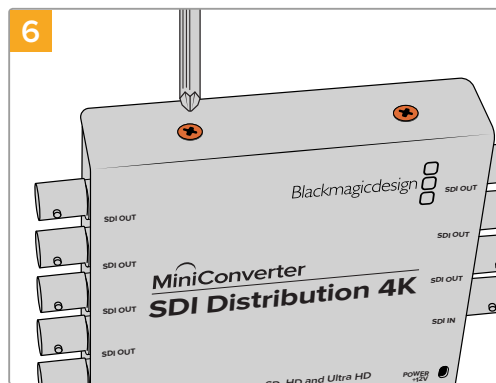
Con un cacciavite Torx T10 estrai le quattro viti che ancorano la scheda di circuito al telaio di Mini Converter SDI Distribution 4K.



Alza delicatamente la scheda di circuito per accedere al connettore USB.



5  
Collega Mini Converter SDI Distribution 4K all'alimentazione e connettilo a un computer con un cavo USB. Aggiorna il software interno come con qualsiasi altro modello di mini convertitore.



6  
Ripercorri le istruzioni da 1 a 4 al contrario per riassemblare Mini Converter SDI Distribution 4K.

**NOTA** Quando maneggi la scheda di circuito di Mini Converter SDI Distribution 4K, tienila dai bordi per evitare un corto circuito accidentale dei componenti interni.

## Cambiare le impostazioni

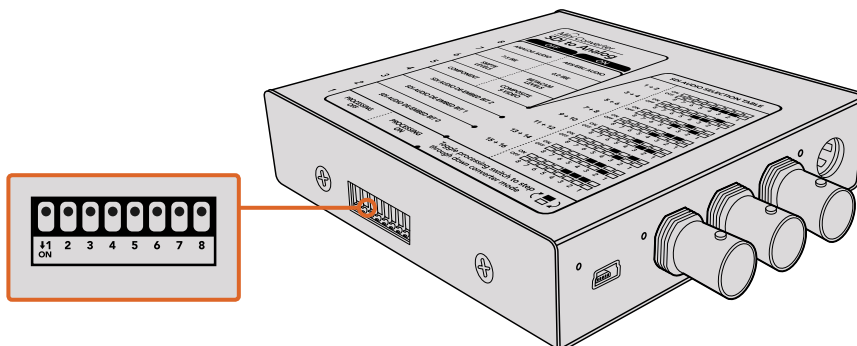
Le impostazioni dei modelli di convertitori Blackmagic configurabili si regolano in due modi: tramite gli interruttori situati sulla parte laterale del dispositivo oppure dall'utilità di sistema Blackmagic Converter Setup. A differenza degli interruttori, l'utilità dà accesso a tutte le impostazioni, come per esempio il video analogico e i livelli audio.

### Cambiare le impostazioni con gli interruttori

Molti modelli di convertitori Blackmagic integrano gli interruttori.

Per cambiare le impostazioni sposta gli interruttori su ON o OFF con la punta di una penna. Cambia la combinazioni degli 8 interruttori per configurare le modalità di conversione desiderate.

Alla base del convertitore troverai uno schema di configurazione. Appurati che le combinazioni degli interruttori corrispondano a quelle indicate nello schema, seguendo i numeri da 1 a 8, da sinistra verso destra.



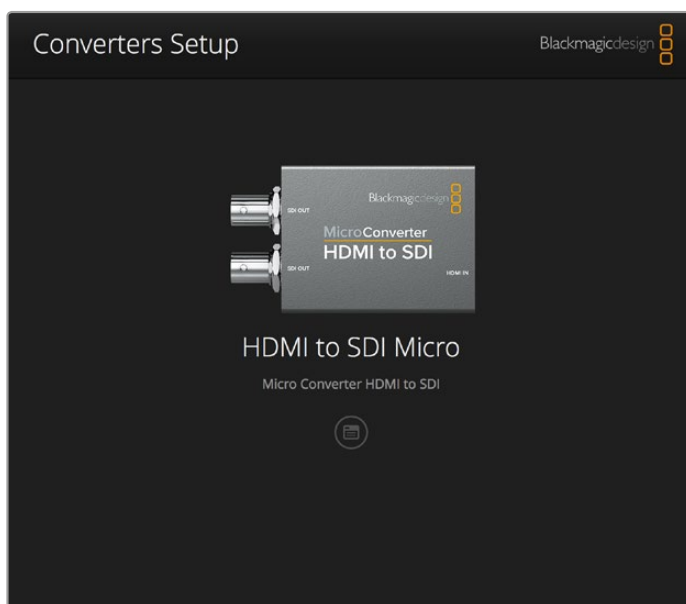
Cambia le impostazioni spostando gli interruttori con la punta di una penna.



Per una descrizione completa degli interruttori e delle impostazioni, passa alla pagina relativa al modello del tuo convertitore. Oltre allo schema alla base del convertitore, è consigliabile consultare la versione più recente di questo manuale per scoprire se sono disponibili nuove funzioni. Scarica la versione più recente dal sito Blackmagic Design alla pagina di supporto [www.blackmagicdesign.com/it/support](http://www.blackmagicdesign.com/it/support).

## Cambiare le impostazioni con Blackmagic Converter Setup

Una volta installato Blackmagic Converter Setup sul computer, connetti il convertitore tramite USB.



L'utilità di sistema Blackmagic Converter Setup consente di aggiornare il software interno del convertitore e di regolare le impostazioni su Mac OS X o Windows.

L'utilità si apre con una schermata principale. Se sono connessi più convertitori, seleziona quello desiderato cliccando sulle frecce a destra o sinistra sulla schermata principale.

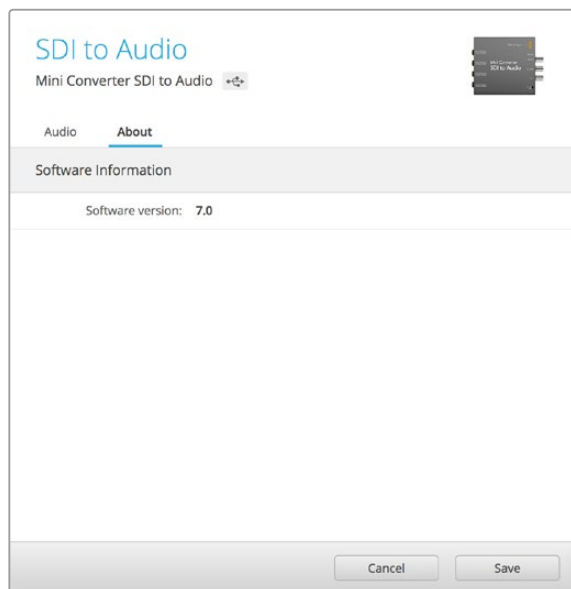
Per cambiare le impostazioni, clicca sull'icona "Settings" sotto l'immagine del convertitore. Il convertitore salva immediatamente le nuove impostazioni. In assenza di corrente, le impostazioni si riconfigurano automaticamente al riaccendersi del dispositivo.

La maggior parte delle impostazioni si configura con gli interruttori mentre altre, tra cui video analogico e livelli audio, richiedono l'utilità di sistema.

**SUGGERIMENTO** I convertitori Teranex Mini offrono tecnologia 12G-SDI, compatibile con i formati video fino al 4K DCI 60p. Per tutte le informazioni sull'utilizzo di Teranex Mini e le istruzioni per cambiare le impostazioni con l'utilità Blackmagic Teranex Setup, consulta il manuale Teranex Mini Converter. Scarica la versione più recente del manuale dalla pagina Supporto del sito Blackmagic Design [www.blackmagicdesign.com/it/support](http://www.blackmagicdesign.com/it/support)

## La tab "About"

La tab "About" di Blackmagic Converter Setup è identica per tutti i modelli di convertitori. Usa questa tab per assegnare un nome al tuo convertitore Blackmagic. Clicca sul campo "Name", digita il nome desiderato e clicca su "Save" per confermare.



Usa la tab "About" di Blackmagic Converter Setup per assegnare un nome al tuo convertitore Blackmagic e scoprire la versione del software interno.

Il menù "Software Information" nella tab "About" mostra la versione operante del software del convertitore. Se il software interno del convertitore non è aggiornato, clicca sul pulsante "Update" per scaricare la versione più recente.

## I modelli dei convertitori Blackmagic

I modelli dei convertitori Blackmagic soddisfano ogni tipo di conversione. Per esempio, i Mini Converter sono robusti e leggeri per il montaggio sulla strumentazione video e sulle passerelle portacavi. I Battery Converter sono ultrasensibili e portatili perché ospitano una batteria interna ricaricabile, mentre i piccoli Mini Converter elaborano i segnali SDI e HDMI, e si alimentano comodamente dai monitor e dai computer tramite USB.

Le sezioni seguenti illustrano il funzionamento di tutti i modelli di convertitori Blackmagic e le istruzioni per cambiare le impostazioni con gli interruttori e con l'utilità di sistema.

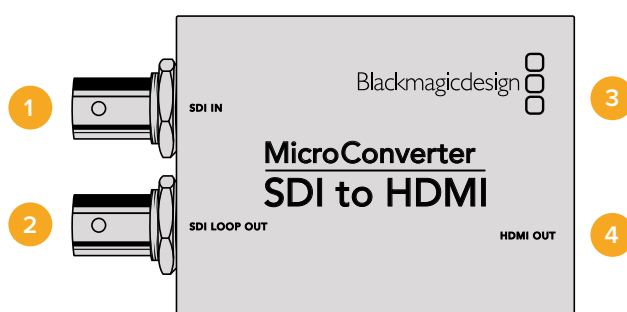
## I convertitori Teranex Mini

I convertitori Blackmagic Teranex Mini offrono tecnologia 12G-SDI, compatibile con i formati video fino al 4K DCI 60p. Questi convertitori sono gestibili con il pannello opzionale Teranex Mini Smart Panel, dotato di display LCD, pulsanti e manopola di controllo, e sono in grado di ricevere alimentazione tramite una connessione a ethernet. Per tutte le informazioni e le istruzioni per controllare questi convertitori dall'utilità Blackmagic Teranex Setup, consulta il manuale Teranex Mini Converter, disponibile per il download sul sito Blackmagic Design alla pagina di supporto [www.blackmagicdesign.com/it/support](http://www.blackmagicdesign.com/it/support).

# I convertitori Micro Converter

## Micro Converter SDI to HDMI

Micro Converter SDI to HDMI consente di connettere un'ampia varietà di display HDMI e videoproiettori a dispositivi SDI. Rileva automaticamente i formati SD/HD/3G-SDI e li converte in HDMI con audio integrato. Questo piccolo convertitore di qualità broadcast è protetto da una resistente chassis in alluminio. Ospita una porta USB che permette di alimentare l'unità connettendola a un laptop o a un televisore mediante un cavo micro USB standard. È lo stesso cavo usato per connettere alcuni modelli di smartphone al caricatore o al laptop. Se non hai un cavo di questo tipo, puoi acquistarlo nei negozi di elettronica.



## Connettori

- 1 SDI IN**  
Connettore BNC per ingresso SDI principale.
- 2 SDI LOOP OUT**  
Connettore BNC per uscita di loop dell'ingresso SDI.
- 3 Micro USB / Alimentazione**  
Alimenta il convertitore mediante l'adattatore incluso o un cavo Micro USB standard connesso a qualsiasi dispositivo 5V, tra cui laptop e televisori. Si connette ai computer Mac OS X o Windows per accedere all'utilità Blackmagic Converter Setup.
- 4 HDMI OUT**  
HDMI tipo A per uscita video.

## Le impostazioni di Blackmagic Converter Setup

L'utilità Blackmagic Converter Setup consente di cambiare le impostazioni e di aggiornare il software del Micro Converter. Tutte le impostazioni disponibili sono contenute nelle tab "Video" e "About".

La tab "About" è descritta in dettaglio nel capitolo "Cambiare le impostazioni" del manuale.

La tab "Video" di Micro Converter SDI to HDMI contiene le seguenti impostazioni:

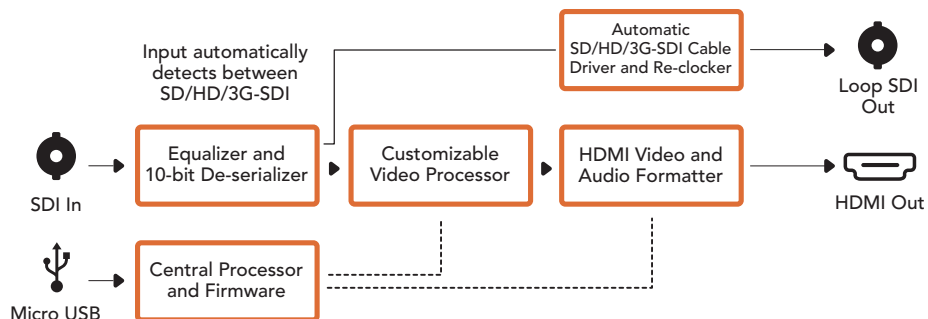


La voce "Clip video output to legal levels" è spuntata di default. Questa opzione fa sì che l'uscita HDMI rappresenti correttamente l'ingresso SDI.

### Il menù "Processing"

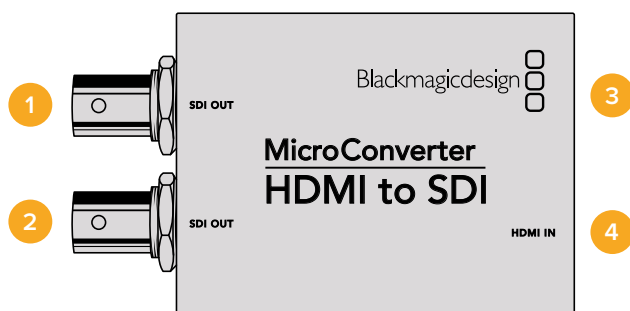
La voce "Clip video output to legal levels" limita il clipping dell'ingresso SDI entro i livelli HDMI a norma, ed è consigliabile tenerla sempre selezionata.

### Lo schema di Micro Converter SDI to HDMI



### Micro Converter HDMI to SDI

Micro Converter HDMI to SDI converte in SDI le uscite HDMI dei dispositivi come videocamere HDV e console di gioco, consentendo di trasmettere il segnale mediante cavi SDI molto lunghi. Con questo modello puoi aggiungere uscite SDI ai computer compatibili con l'HDMI. Questo piccolo convertitore di qualità broadcast è protetto da una resistente chassis in alluminio. Ospita una porta USB che permette di alimentare l'unità connettendola a un laptop o a un televisore mediante un cavo micro USB standard. È lo stesso cavo usato per connettere alcuni modelli di smartphone al caricatore o al laptop. Se non hai un cavo di questo tipo, puoi acquistarlo nei negozi di elettronica.



## Connettori

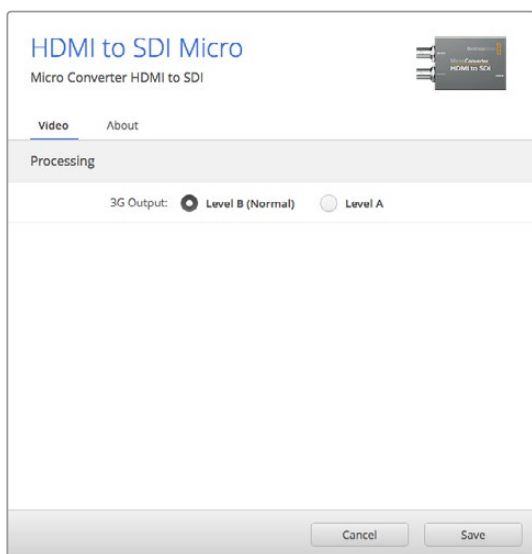
- 1 SDI OUT**  
Connettore BNC per uscita video SDI.
- 2 SDI OUT**  
Uscita SDI ridondante.
- 3 Micro USB / Alimentazione**  
Alimenta il convertitore mediante l'adattatore incluso o un cavo Micro USB standard connesso a qualsiasi dispositivo 5V, tra cui laptop e televisori. Si connette ai computer Mac OS X o Windows per accedere all'utilità Blackmagic Converter Setup.
- 4 HDMI IN**  
HDMI tipo A per ingresso video.

## Le impostazioni di Blackmagic Converter Setup

L'utilità Blackmagic Converter Setup consente di cambiare le impostazioni e di aggiornare il software del Micro Converter. Tutte le impostazioni disponibili sono contenute nelle tab "Video", "Audio" e "About".

La tab "About" è descritta in dettaglio nel capitolo "Cambiare le impostazioni" del manuale.

La tab "Video" di Micro Converter HDMI to SDI contiene le seguenti impostazioni:

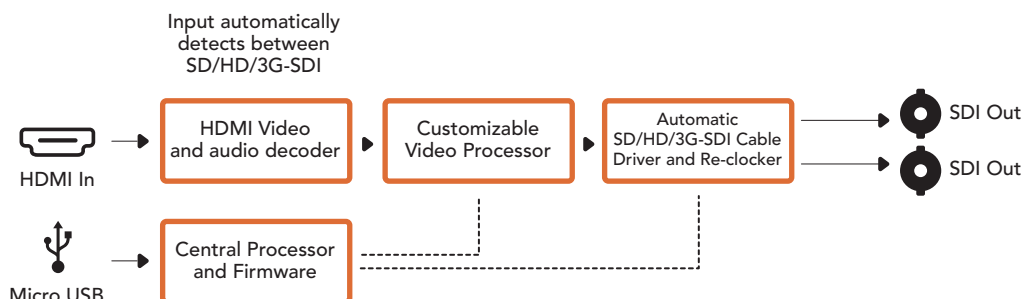


Accedi alla tab "Video" di Blackmagic Converter Setup per selezionare il livello del segnale SDI.

## Il menù "Processing"

La voce "3G Output" consente di scegliere tra livello A o B per l'uscita 3G-SDI. A seconda della selezione, lo standard dell'uscita 3G-SDI cambia per abilitare la compatibilità con i dispositivi video 3G-SDI di livello A o B. La configurazione di default è il livello B.

## Lo schema di Micro Converter HDMI to SDI



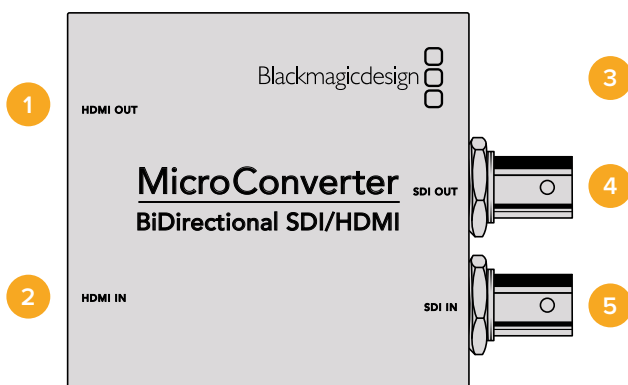
## Micro Converter BiDirectional SDI/HDMI

Micro Converter BiDirectional SDI/HDMI converte il video SD e HD da HDMI a SDI e viceversa contemporaneamente, e integra l'audio. Per esempio puoi convertire l'uscita HDMI di una camera HDV in SDI e inviare il segnale mediante cavi molto lunghi, e allo stesso tempo convertire il ritorno SDI in HDMI per connetterlo a una Tv HDMI.

Se utilizzi un solo ingresso, entrambe le uscite SDI e HDMI possono fungere da uscite di loop, per inviare il segnale di ingresso ad altri dispositivi HDMI o SDI.

Micro Converter BiDirectional SDI/HDMI rileva automaticamente il formato di ingresso SD/HD/3G-SDI e fa sì che il formato di uscita vi si uniformi.

Questo piccolo convertitore di qualità broadcast è protetto da una resistente chassis in alluminio. Ospita una porta USB che permette di alimentare l'unità connettendola a un laptop o a un televisore mediante un cavo micro USB standard. È lo stesso cavo usato per connettere alcuni modelli di smartphone al caricatore o al laptop. Se non hai un cavo di questo tipo, puoi acquistarlo nei negozi di elettronica.



## Connettori

- 1 HDMI OUT**  
HDMI tipo A per uscita video.
- 2 HDMI IN**  
HDMI tipo A per ingresso video.

### 3 **Micro USB / Alimentazione**

Si connette al laptop o alla Tv mediante un cavo micro USB standard e fornisce corrente a 5V. Si connette ai computer Mac OS X e Windows per accedere all'utilità Blackmagic Converter Setup.

### 4 **SDI OUT**

Connettore BNC per uscita video SDI.

### 5 **SDI IN**

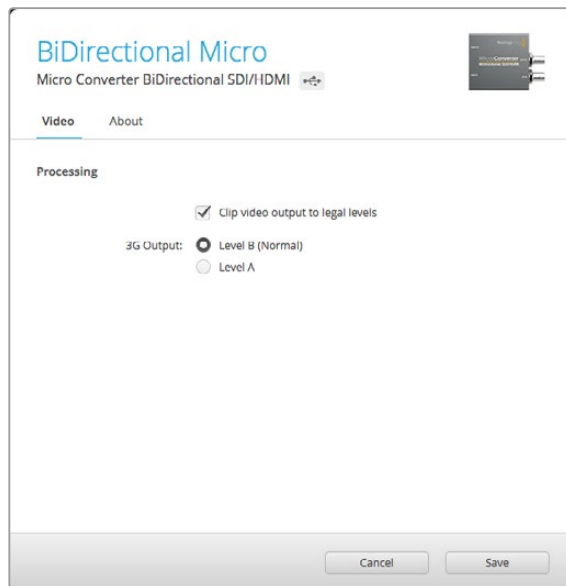
Connettore BNC per ingresso video SDI.

## Le impostazioni di Blackmagic Converter Setup

L'utilità Blackmagic Converter Setup consente di cambiare le impostazioni e di aggiornare il software dei Micro Converter. Tutte le impostazioni disponibili sono contenute nelle tab "Video" e "About".

La tab "About" è descritta in dettaglio nella sezione "Cambiare le impostazioni" del manuale.

La tab "Video" di Micro Converter BiDirectional SDI/HDMI contiene le seguenti impostazioni:



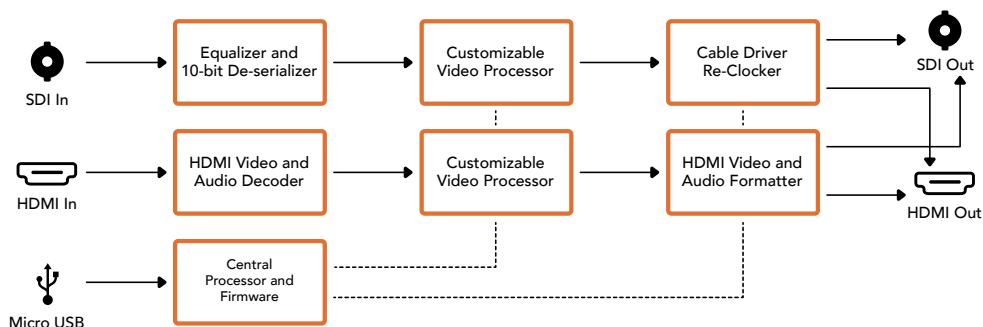
La voce "Clip video output to legal levels" è spuntata di default. Questa opzione fa sì che l'uscita HDMI rappresenti in modo corretto l'ingresso SDI.

### Il menù "Processing"

La voce "Clip video output to legal levels" limita il clipping dell'ingresso SDI entro i livelli HDMI a norma, ed è consigliabile tenere questa casella sempre selezionata.

La voce "3G Output" consente di scegliere tra livello A e B per l'uscita 3G-SDI. Scegli l'opzione più adatta in base alle specifiche del dispositivo 3G-SDI connesso. L'impostazione di default è il livello B.

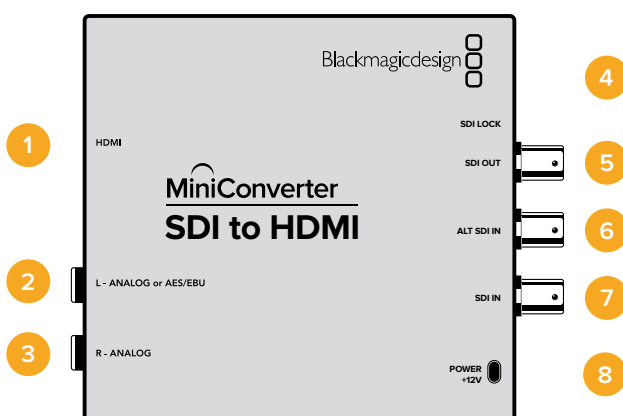
## Micro Converter BiDirectional SDI/HDMI Block Diagram



# I convertitori Mini Converter

## Mini Converter SDI to HDMI

Mini Converter SDI to HDMI consente di connettere un'ampia varietà di display HDMI e videoproiettori alla strumentazione SDI. Questo modello rileva automaticamente i formati SD/HD/3G-SDI e li converte in HDMI con audio integrato, AES/EBU bilanciato o audio analogico.



## Connettori

- 1 HDMI**  
HDMI tipo A per uscita video.
- 2 L - ANALOG or AES/EBU**  
Connettore jack 1/4" per uscita audio analogico bilanciato (canale di sinistra) o audio digitale AES/EBU.
- 3 R - ANALOG**  
Connettore jack 1/4" per uscita audio analogico bilanciato (canale di destra).
- 4 Porta USB MINI B**  
Si connette ai computer Mac OS X o Windows per accedere all'utilità Blackmagic Converter Setup. La connessione USB consente anche di aggiornare il software interno del convertitore.
- 5 SDI OUT**  
Connettore BNC per uscita video SDI.



- 6 ALT SDI IN**  
Ingresso SDI ridondante.
- 7 SDI IN**  
Ingresso SDI principale.
- 8 POWER +12V**  
Ingresso di alimentazione 12V.

## Interruttori

### Interruttore 8 - Analog Audio, AES/EBU Audio

Posiziona l'interruttore 8 su OFF per trasmettere audio analogico bilanciato, su ON per audio digitale AES/EBU.

### Interruttore 4 - SDI Audio De-Embed Bit 2

Gli interruttori 4, 3 e 2 sono raggruppati per ottenere 8 combinazioni ON/OFF. Con otto combinazioni diverse è possibile separare otto coppie di canali indipendenti dall'ingresso SDI e trasmetterle in HDMI, analogico o AES/EBU.

### Interruttore 3 - SDI Audio De-Embed Bit 1

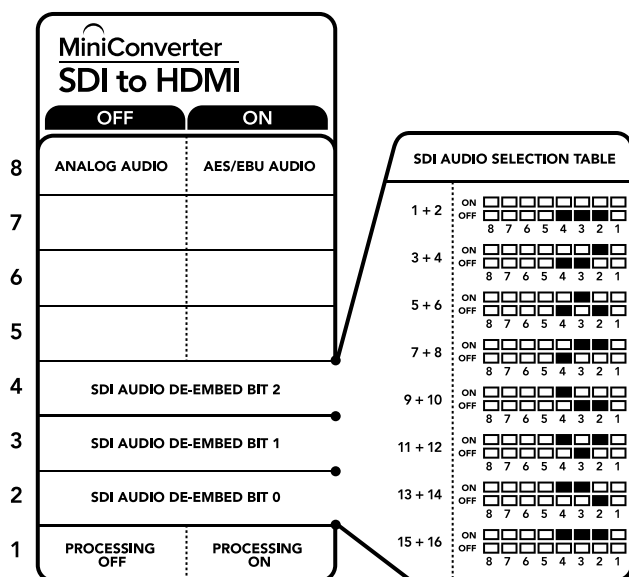
Vedi Interruttore 4.

### Interruttore 2 - SDI Audio De-Embed Bit 0

Vedi Interruttore 4.

### Interruttore 1 - Processing Off - Processing On

Questo interruttore è inutilizzato.



Lo schema alla base del dispositivo mostra tutte le combinazioni delle impostazioni di conversione.

## Esempio di configurazione

In questo esempio Blackmagic Mini Converter è configurato per separare i canali audio SDI 1 e 2 e trasmetterli in analogico, impostando gli interruttori 8, 4, 3 e 2 su OFF.

## Tabella di selezione audio SDI

Canali audio	Interruttore 4	Interruttore 3	Interruttore 2	Posizione
1 e 2	OFF	OFF	OFF	ON <input type="checkbox"/> <input type="checkbox"/> <input type="checkbox"/> <input type="checkbox"/> <input type="checkbox"/> <input type="checkbox"/> <input type="checkbox"/> <input type="checkbox"/> OFF <input type="checkbox"/> <input type="checkbox"/> <input type="checkbox"/> <input type="checkbox"/> <input checked="" type="checkbox"/> <input checked="" type="checkbox"/> <input checked="" type="checkbox"/> <input checked="" type="checkbox"/>
3 e 4	OFF	OFF	ON	ON <input type="checkbox"/> <input type="checkbox"/> <input type="checkbox"/> <input type="checkbox"/> <input type="checkbox"/> <input type="checkbox"/> <input type="checkbox"/> <input type="checkbox"/> OFF <input type="checkbox"/> <input type="checkbox"/> <input type="checkbox"/> <input type="checkbox"/> <input checked="" type="checkbox"/> <input checked="" type="checkbox"/> <input checked="" type="checkbox"/> <input checked="" type="checkbox"/>
5 e 6	OFF	ON	OFF	ON <input type="checkbox"/> <input type="checkbox"/> <input type="checkbox"/> <input type="checkbox"/> <input checked="" type="checkbox"/> <input checked="" type="checkbox"/> <input checked="" type="checkbox"/> <input checked="" type="checkbox"/> OFF <input type="checkbox"/> <input type="checkbox"/> <input type="checkbox"/> <input type="checkbox"/> <input type="checkbox"/> <input type="checkbox"/> <input type="checkbox"/> <input type="checkbox"/>
7 e 8	OFF	ON	ON	ON <input type="checkbox"/> <input type="checkbox"/> <input type="checkbox"/> <input type="checkbox"/> <input checked="" type="checkbox"/> <input checked="" type="checkbox"/> <input checked="" type="checkbox"/> <input checked="" type="checkbox"/> OFF <input type="checkbox"/> <input type="checkbox"/> <input type="checkbox"/> <input type="checkbox"/> <input type="checkbox"/> <input type="checkbox"/> <input type="checkbox"/> <input type="checkbox"/>
9 e 10	ON	OFF	OFF	ON <input type="checkbox"/> <input type="checkbox"/> <input type="checkbox"/> <input checked="" type="checkbox"/> <input checked="" type="checkbox"/> <input checked="" type="checkbox"/> <input checked="" type="checkbox"/> <input checked="" type="checkbox"/> OFF <input type="checkbox"/> <input type="checkbox"/> <input type="checkbox"/> <input type="checkbox"/> <input type="checkbox"/> <input type="checkbox"/> <input type="checkbox"/> <input type="checkbox"/>
11 e 12	ON	OFF	ON	ON <input type="checkbox"/> <input type="checkbox"/> <input type="checkbox"/> <input checked="" type="checkbox"/> <input checked="" type="checkbox"/> <input checked="" type="checkbox"/> <input checked="" type="checkbox"/> <input checked="" type="checkbox"/> OFF <input type="checkbox"/> <input type="checkbox"/> <input type="checkbox"/> <input type="checkbox"/> <input type="checkbox"/> <input type="checkbox"/> <input type="checkbox"/> <input type="checkbox"/>
13 e 14	ON	ON	OFF	ON <input type="checkbox"/> <input type="checkbox"/> <input type="checkbox"/> <input checked="" type="checkbox"/> <input checked="" type="checkbox"/> <input checked="" type="checkbox"/> <input checked="" type="checkbox"/> <input checked="" type="checkbox"/> OFF <input type="checkbox"/> <input type="checkbox"/> <input type="checkbox"/> <input type="checkbox"/> <input type="checkbox"/> <input type="checkbox"/> <input type="checkbox"/> <input type="checkbox"/>
15 e 16	ON	ON	ON	ON <input type="checkbox"/> <input type="checkbox"/> <input type="checkbox"/> <input checked="" type="checkbox"/> <input checked="" type="checkbox"/> <input checked="" type="checkbox"/> <input checked="" type="checkbox"/> <input checked="" type="checkbox"/> OFF <input type="checkbox"/> <input type="checkbox"/> <input type="checkbox"/> <input type="checkbox"/> <input type="checkbox"/> <input type="checkbox"/> <input type="checkbox"/> <input type="checkbox"/>

## Le impostazioni di Blackmagic Converter Setup

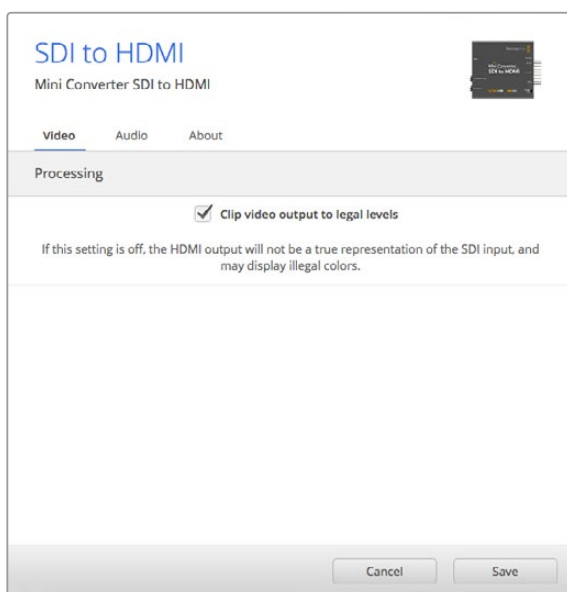
L'utilità Blackmagic Converter Setup consente di cambiare le impostazioni e aggiornare il software del Mini Converter. Tutte le impostazioni disponibili sono contenute nelle tab "Video", "Audio" e "About".

La tab "About" è descritta in dettaglio nel capitolo "Cambiare le impostazioni" del manuale.

La tab "Video" di Mini Converter SDI to HDMI contiene le seguenti impostazioni.

### Il menù "Processing"

La voce "Clip video output to legal levels" limita il clipping dell'ingresso SDI entro i livelli HDMI a norma, ed è consigliabile tenerla sempre selezionata.

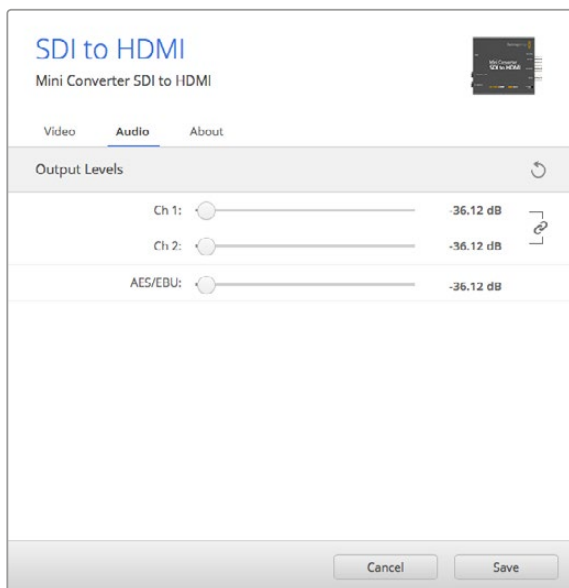


La voce "Clip video to legal levels" è selezionata di default per mantenere i livelli dell'uscita HDMI entro la norma.

La tab "Audio" di Mini Converter SDI to HDMI contiene le seguenti impostazioni.

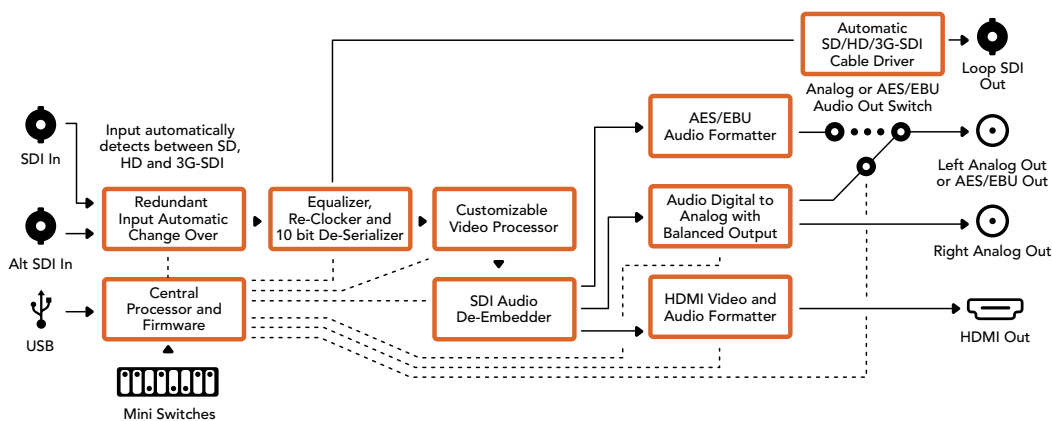
### Il menù "Output Levels"

Questo menù consente di regolare il guadagno dell'uscita audio singolarmente o per coppie di canali, cliccando sull'icona di collegamento accanto alle barre del cursore. Per resettare i livelli audio a 0 dB clicca sulla freccia circolare a destra del menù "Output Levels".



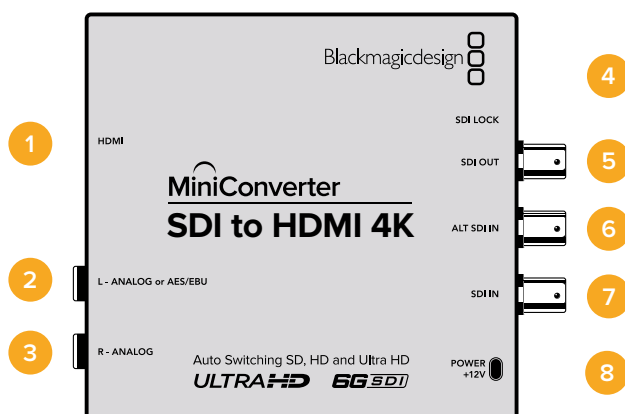
Accedi alla tab "Audio" per regolare i livelli audio.

### Lo schema di Mini Converter SDI to HDMI



### Mini Converter SDI to HDMI 4K

I modelli Mini Converter SDI to HDMI 4K e SDI to HDMI 4K Heavy Duty consentono di connettere un'ampia varietà di display HDMI e videoproiettori alla strumentazione SDI. Mini Converter SDI to HDMI 4K rileva automaticamente i formati SD/HD/3G/6G-SDI-SDI e li converte in HDMI con audio integrato, AES/EBU bilanciato o audio analogico. La funzione Instant Lock sincronizza l'uscita HDMI al formato dell'ingresso in un istante. Quando un monitor HD o una TV sono connessi all'uscita HDMI, e l'ingresso SDI del convertitore è connesso a una fonte Ultra HD, quest'ultima viene automaticamente convertita in risoluzione minore per visualizzarla sul monitor HD.



## Connettori

- 1 HDMI**  
HDMI tipo A per uscita video.
- 2 L - ANALOG or AES/EBU**  
Connettore jack 1/4" per uscita audio analogico bilanciato (canale di sinistra) o audio digitale AES/EBU.
- 3 R - ANALOG**  
Connettore jack 1/4" per uscita audio analogico bilanciato (canale di destra).
- 4 Porta USB MINI B**  
Si connette ai computer Mac OS X o Windows per accedere all'utilità Blackmagic Converter Setup. La connessione USB consente anche di aggiornare il software interno del convertitore.
- 5 SDI OUT**  
Connettore BNC per uscita video SDI.
- 6 ALT SDI IN**  
Ingresso SDI ridondante.
- 7 SDI IN**  
Ingresso SDI principale.
- 8 POWER +12V**  
Ingresso di alimentazione 12V.

## Interruttori

**SUGGERIMENTO** Gli interruttori di Mini Converter Heavy Duty sono protetti da uno sportellino in gomma. Sollevalo per accedere agli interruttori.

Gli interruttori di Mini Converter SDI to HDMI 4K consentono di regolare le seguenti impostazioni:

### Interruttore 8 - Analog Audio, AES/EBU Audio

Posiziona l'interruttore 8 su OFF per trasmettere audio analogico bilanciato, su ON per audio digitale AES/EBU.

### Interruttore 4 - SDI Audio De-Embed Bit 2

Gli interruttori 4, 3 e 2 sono raggruppati per ottenere 8 combinazioni ON/OFF. Con otto combinazioni diverse è possibile separare otto coppie di canali indipendenti dall'ingresso SDI e trasmetterle in HDMI, analogico o AES/EBU.

### Interruttore 3 - SDI Audio De-Embed Bit 1

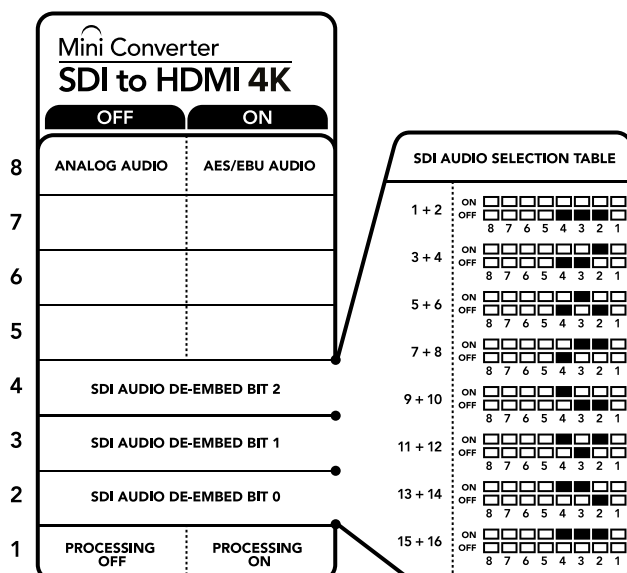
Vedi Interruttore 4.

### Interruttore 2 - SDI Audio De-Embed Bit 0

Vedi Interruttore 4.

### Interruttore 1 - Processing Off - Processing On

Questo interruttore è inutilizzato.



Lo schema alla base del dispositivo mostra tutte le combinazioni delle impostazioni di conversione.

### Esempio di configurazione

In questo esempio Blackmagic Mini Converter è configurato per separare i canali audio SDI 1 e 2 e trasmetterli in analogico, impostando gli interruttori 8, 4, 3 e 2 su OFF.

### Tabella di selezione audio SDI

Canali audio	Interruttore 4	Interruttore 3	Interruttore 2	Posizione
1 e 2	OFF	OFF	OFF	ON <input type="checkbox"/> <input type="checkbox"/> <input type="checkbox"/> <input type="checkbox"/> <input type="checkbox"/> <input type="checkbox"/> <input type="checkbox"/> <input type="checkbox"/> OFF <input type="checkbox"/> <input type="checkbox"/> <input type="checkbox"/> <input type="checkbox"/> <input type="checkbox"/> <input type="checkbox"/> <input type="checkbox"/> <input type="checkbox"/>
3 e 4	OFF	OFF	ON	ON <input type="checkbox"/> <input type="checkbox"/> <input type="checkbox"/> <input type="checkbox"/> <input type="checkbox"/> <input type="checkbox"/> <input type="checkbox"/> <input type="checkbox"/> OFF <input type="checkbox"/> <input type="checkbox"/> <input type="checkbox"/> <input type="checkbox"/> <input type="checkbox"/> <input type="checkbox"/> <input type="checkbox"/> <input type="checkbox"/>
5 e 6	OFF	ON	OFF	ON <input type="checkbox"/> <input type="checkbox"/> <input type="checkbox"/> <input type="checkbox"/> <input type="checkbox"/> <input type="checkbox"/> <input type="checkbox"/> <input type="checkbox"/> OFF <input type="checkbox"/> <input type="checkbox"/> <input type="checkbox"/> <input type="checkbox"/> <input type="checkbox"/> <input type="checkbox"/> <input type="checkbox"/> <input type="checkbox"/>
7 e 8	OFF	ON	ON	ON <input type="checkbox"/> <input type="checkbox"/> <input type="checkbox"/> <input type="checkbox"/> <input type="checkbox"/> <input type="checkbox"/> <input type="checkbox"/> <input type="checkbox"/> OFF <input type="checkbox"/> <input type="checkbox"/> <input type="checkbox"/> <input type="checkbox"/> <input type="checkbox"/> <input type="checkbox"/> <input type="checkbox"/> <input type="checkbox"/>
9 e 10	ON	OFF	OFF	ON <input type="checkbox"/> <input type="checkbox"/> <input type="checkbox"/> <input type="checkbox"/> <input type="checkbox"/> <input type="checkbox"/> <input type="checkbox"/> <input type="checkbox"/> OFF <input type="checkbox"/> <input type="checkbox"/> <input type="checkbox"/> <input type="checkbox"/> <input type="checkbox"/> <input type="checkbox"/> <input type="checkbox"/> <input type="checkbox"/>
11 e 12	ON	OFF	ON	ON <input type="checkbox"/> <input type="checkbox"/> <input type="checkbox"/> <input type="checkbox"/> <input type="checkbox"/> <input type="checkbox"/> <input type="checkbox"/> <input type="checkbox"/> OFF <input type="checkbox"/> <input type="checkbox"/> <input type="checkbox"/> <input type="checkbox"/> <input type="checkbox"/> <input type="checkbox"/> <input type="checkbox"/> <input type="checkbox"/>
13 e 14	ON	ON	OFF	ON <input type="checkbox"/> <input type="checkbox"/> <input type="checkbox"/> <input type="checkbox"/> <input type="checkbox"/> <input type="checkbox"/> <input type="checkbox"/> <input type="checkbox"/> OFF <input type="checkbox"/> <input type="checkbox"/> <input type="checkbox"/> <input type="checkbox"/> <input type="checkbox"/> <input type="checkbox"/> <input type="checkbox"/> <input type="checkbox"/>
15 e 16	ON	ON	ON	ON <input type="checkbox"/> <input type="checkbox"/> <input type="checkbox"/> <input type="checkbox"/> <input type="checkbox"/> <input type="checkbox"/> <input type="checkbox"/> <input type="checkbox"/> OFF <input type="checkbox"/> <input type="checkbox"/> <input type="checkbox"/> <input type="checkbox"/> <input type="checkbox"/> <input type="checkbox"/> <input type="checkbox"/> <input type="checkbox"/>

## Le impostazioni di Blackmagic Converter Setup

L'utilità Blackmagic Converter Setup consente di cambiare le impostazioni e aggiornare il software del Mini Converter. Tutte le impostazioni disponibili sono contenute nelle tab "Video", "Audio" e "About".

La tab "About" è descritta in dettaglio nel capitolo "Cambiare le impostazioni" del manuale.

La tab "Video" di Mini Converter SDI to HDMI 4K contiene le seguenti impostazioni:



La voce "Clip video to legal levels" è selezionata di default per mantenere i livelli dell'uscita HDMI entro la norma.

### Il menù "Processing"

#### • HDMI Instant Lock

Spunta questa casella per abilitare la funzione Instant Lock HDMI. Questa funzione fa sì che il segnale HDMI di uscita rimanga attivo anche quando si connettono altre fonti, per visualizzare l'uscita video su televisori o monitor HDMI in un istante. Funziona solo quando le fonti connesse condividono lo stesso standard video.

Instant Lock HDMI potrebbe causare un leggero ritardo nella lettura video e audio dell'uscita convertita. Per eliminare il ritardo, deseleziona questa opzione.

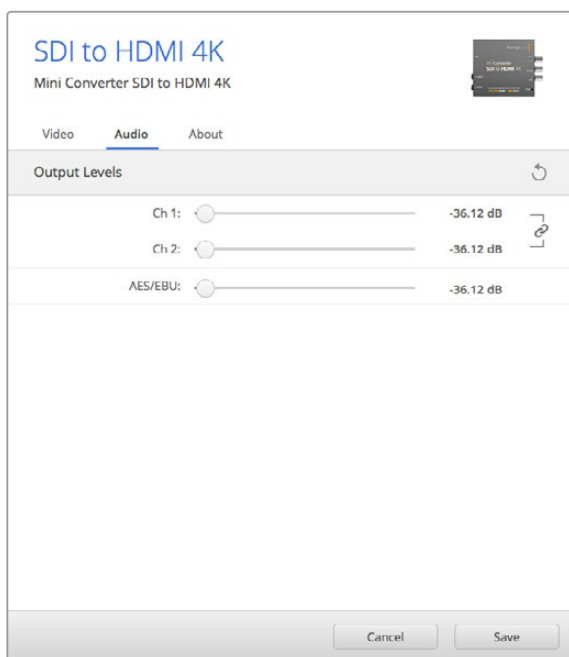
#### • Clip video output to legal levels

Spunta questa casella per limitare il clipping dell'ingresso SDI entro la norma HDMI. È consigliabile tenerla sempre selezionata.

### Il menù "Output Levels"

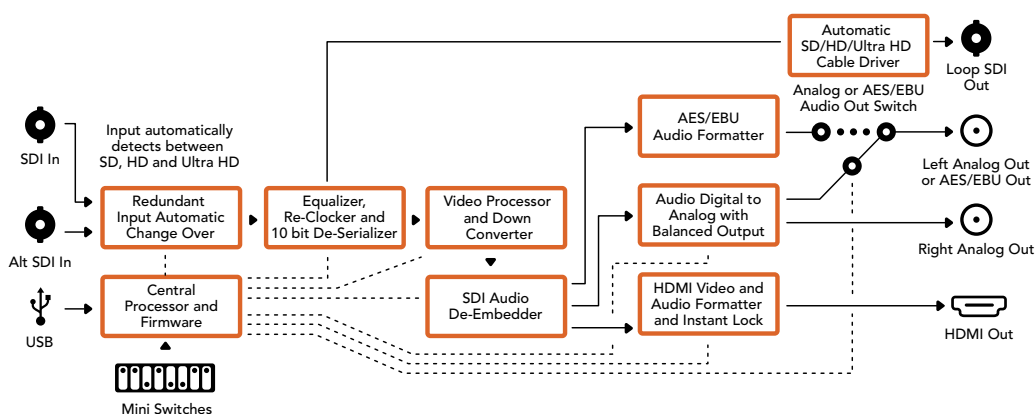
Clicca sull'icona di collegamento accanto alle barre del cursore per regolare i livelli audio singolarmente per canale oppure contemporaneamente. Per resettare i livelli audio a 0 dB clicca sulla freccia circolare a destra del menù "Output Levels".

La tab "Audio" di Mini Converter HDMI to SDI 4K contiene le seguenti impostazioni.



Accedi alla tab "Audio" per regolare i livelli audio.

## Lo schema di Mini Converter HDMI to SDI 4K

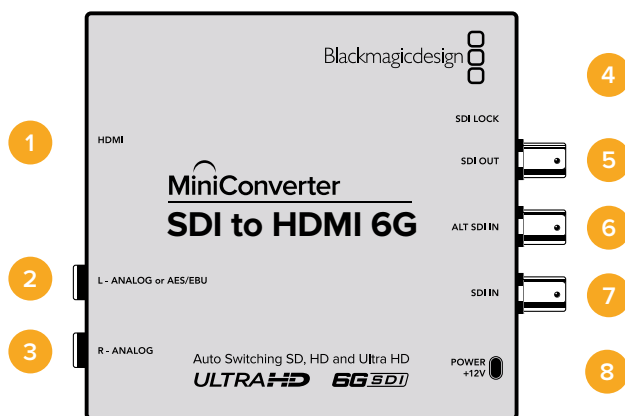


## Mini Converter SDI to HDMI 6G

Mini Converter SDI to HDMI 6G consente di connettere un'ampia varietà di display HDMI e videoproiettori all'attrezzatura SDI. Commuta automaticamente tra le fonti di ingresso SD-SDI, HD-SDI, 3G-SDI, e 6G-SDI, e le converte in HDMI con audio integrato, e audio AES/EBU bilanciato o analogico.

La funzione Instant Lock HDMI stabilizza il segnale all'istante sull'uscita HDMI quando si connettono fonti che hanno lo stesso formato. Se un monitor o una Tv HD è connesso all'uscita HDMI del convertitore, e una fonte Ultra HD all'ingresso SDI, la converte automaticamente in risoluzione minore per visualizzarla sullo schermo HD.

È anche possibile caricare LUT 3D per conferire all'immagine convertita look e profili cromatici unici. Le LUT 3D a 33 punti garantiscono la massima accuratezza in fase di manipolazione del colore, consentendo anche di tarare le Tv di largo consumo per le operazioni di correzione più complesse. Le LUT 3D ammettono conversioni in diversi spazi colore, utilizzabili su una varietà di monitor. Mini Converter SDI to HDMI 6G offre 2 LUT interne, ovvero colore/bianco e nero e spazio colore default della camera Blackmagic/REC 709.



## Connettori

- 1 HDMI**  
Uscita video HDMI tipo A.
- 2 L - ANALOG or AES/EBU**  
Jack 1/4" per il canale audio analogico bilanciato di sinistra o per audio digitale AES/EBU.
- 3 R - ANALOG**  
Jack 1/4" per il canale audio analogico bilanciato di destra.
- 4 Porta USB Mini B**  
Si connette ai computer Mac OS X o Windows per accedere a Blackmagic Converter Setup. La connessione USB consente anche di aggiornare il software interno del convertitore.
- 5 SDI OUT**  
Connettore BNC per video in uscita.
- 6 ALT SDI IN**  
Ingresso SDI ridondante.
- 7 SDI IN**  
Ingresso SDI principale.
- 8 POWER +12V**  
Ingresso di alimentazione 12V.

## Interruttori

Gli interruttori di Mini Converter SDI to HDMI 6G consentono di regolare le seguenti impostazioni:

### Interruttore 8 - Analog Audio, AES/EBU Audio

Posiziona l'interruttore 8 su OFF per selezionare audio analogico bilanciato, su ON per l'audio digitale AES/EBU in uscita.

### Interruttore 7 - LUT Off, LUT On

Imposta l'interruttore 7 su OFF per disabilitare la LUT, su ON per abilitarla.



### Interruttore 6 - LUT 1, LUT 2

Imposta l'interruttore 6 su OFF per selezionare la LUT 1, su ON per selezionare la LUT 2.

### Interruttore 5 - LUT On Loop Off, LUT On Loop On

Imposta l'interruttore 5 su OFF per disabilitare la riproduzione continua della LUT, su ON per abilitarla.

### Interruttore 4 - SDI Audio De-Embed Bit 2

Gli interruttori 4, 3 e 2 sono raggruppati per ottenere 8 combinazioni ON/OFF. Con 8 combinazioni diverse è possibile separare 8 coppie di canali indipendenti dall'ingresso SDI e trasmetterle nel segnale HDMI, analogico, o AES/EBU.

### Interruttore 3 - SDI Audio De-Embed Bit 1

Vedi Interruttore 4.

### Interruttore 2 - SDI Audio De-Embed Bit 0

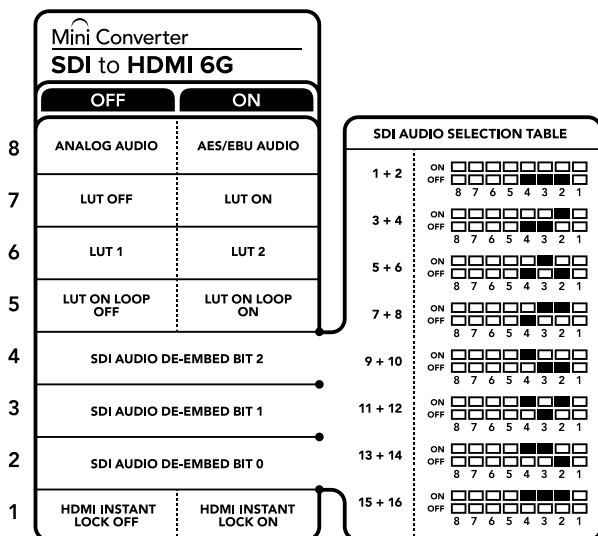
Vedi Interruttore 4.

### Interruttore 1 - HDMI Instant Lock Off, HDMI Instant Lock On

Imposta l'interruttore 1 su OFF per disabilitare la funzione Instant Lock HDMI, su ON per abilitarla.

Questa funzione fa sì che il segnale sull'uscita HDMI rimanga attivo anche quando si cambiano le fonti, visualizzandolo immediatamente sulla Tv o sul monitor HDMI. Instant Lock HDMI funziona solo quando le nuove fonti hanno lo stesso standard video.

Inoltre potrebbe causare un leggero ritardo nel video e nell'audio. Per evitare il ritardo sull'uscita convertita, deseleziona questa opzione.



Lo schema alla base del dispositivo riporta tutte le combinazioni delle impostazioni di conversione.

### Esempio di configurazione

Imposta gli interruttori 8, 4, 3 e 2 su OFF per separare i canali audio SDI 1 e 2 e trasmetterli attraverso l'uscita analogica.

## Tabella di selezione audio SDI

Canali audio	Interruttore 4	Interruttore 3	Interruttore 2	Posizione
1 and 2	OFF	OFF	OFF	ON <input type="checkbox"/> <input type="checkbox"/> <input type="checkbox"/> <input type="checkbox"/> <input type="checkbox"/> <input type="checkbox"/> <input type="checkbox"/> <input type="checkbox"/> OFF <input type="checkbox"/> <input type="checkbox"/> <input type="checkbox"/> <input type="checkbox"/> <input type="checkbox"/> <input type="checkbox"/> <input type="checkbox"/> <input type="checkbox"/> 8 7 6 5 4 3 2 1
3 and 4	OFF	OFF	ON	ON <input type="checkbox"/> <input type="checkbox"/> <input type="checkbox"/> <input type="checkbox"/> <input type="checkbox"/> <input type="checkbox"/> <input type="checkbox"/> <input type="checkbox"/> OFF <input type="checkbox"/> <input type="checkbox"/> <input type="checkbox"/> <input type="checkbox"/> <input type="checkbox"/> <input type="checkbox"/> <input type="checkbox"/> <input type="checkbox"/> 8 7 6 5 4 3 2 1
5 and 6	OFF	ON	OFF	ON <input type="checkbox"/> <input type="checkbox"/> <input type="checkbox"/> <input type="checkbox"/> <input type="checkbox"/> <input type="checkbox"/> <input type="checkbox"/> <input type="checkbox"/> OFF <input type="checkbox"/> <input type="checkbox"/> <input type="checkbox"/> <input type="checkbox"/> <input type="checkbox"/> <input type="checkbox"/> <input type="checkbox"/> <input type="checkbox"/> 8 7 6 5 4 3 2 1
7 and 8	OFF	ON	ON	ON <input type="checkbox"/> <input type="checkbox"/> <input type="checkbox"/> <input type="checkbox"/> <input type="checkbox"/> <input type="checkbox"/> <input type="checkbox"/> <input type="checkbox"/> OFF <input type="checkbox"/> <input type="checkbox"/> <input type="checkbox"/> <input type="checkbox"/> <input type="checkbox"/> <input type="checkbox"/> <input type="checkbox"/> <input type="checkbox"/> 8 7 6 5 4 3 2 1
9 and 10	ON	OFF	OFF	ON <input type="checkbox"/> <input type="checkbox"/> <input type="checkbox"/> <input type="checkbox"/> <input type="checkbox"/> <input type="checkbox"/> <input type="checkbox"/> <input type="checkbox"/> OFF <input type="checkbox"/> <input type="checkbox"/> <input type="checkbox"/> <input type="checkbox"/> <input type="checkbox"/> <input type="checkbox"/> <input type="checkbox"/> <input type="checkbox"/> 8 7 6 5 4 3 2 1
11 and 12	ON	OFF	ON	ON <input type="checkbox"/> <input type="checkbox"/> <input type="checkbox"/> <input type="checkbox"/> <input type="checkbox"/> <input type="checkbox"/> <input type="checkbox"/> <input type="checkbox"/> OFF <input type="checkbox"/> <input type="checkbox"/> <input type="checkbox"/> <input type="checkbox"/> <input type="checkbox"/> <input type="checkbox"/> <input type="checkbox"/> <input type="checkbox"/> 8 7 6 5 4 3 2 1
13 and 14	ON	ON	OFF	ON <input type="checkbox"/> <input type="checkbox"/> <input type="checkbox"/> <input type="checkbox"/> <input type="checkbox"/> <input type="checkbox"/> <input type="checkbox"/> <input type="checkbox"/> OFF <input type="checkbox"/> <input type="checkbox"/> <input type="checkbox"/> <input type="checkbox"/> <input type="checkbox"/> <input type="checkbox"/> <input type="checkbox"/> <input type="checkbox"/> 8 7 6 5 4 3 2 1
15 and 16	ON	ON	ON	ON <input type="checkbox"/> <input type="checkbox"/> <input type="checkbox"/> <input type="checkbox"/> <input type="checkbox"/> <input type="checkbox"/> <input type="checkbox"/> <input type="checkbox"/> OFF <input type="checkbox"/> <input type="checkbox"/> <input type="checkbox"/> <input type="checkbox"/> <input type="checkbox"/> <input type="checkbox"/> <input type="checkbox"/> <input type="checkbox"/> 8 7 6 5 4 3 2 1

## Le impostazioni di Blackmagic Converter Setup

L'utilità Blackmagic Converter Setup consente di cambiare le impostazioni e aggiornare il software di Mini Converter. Tutte le impostazioni disponibili sono contenute nelle tab "Video", "Audio" e "About". La tab "About" è descritta in dettaglio nel capitolo "Cambiare le impostazioni" del manuale.

La tab "Video" di Mini Converter SDI to HDMI 6G contiene le seguenti impostazioni.



La voce "Clip video output to legal levels" è spuntata di default per mantenere i livelli dell'uscita video HDMI nella norma.

## Il menù “Processing”

### • 33 Point 3D LUT

Mini Converter SDI to HDMI 6G supporta le LUT in formato .cube, create con DaVinci Resolve o con altri software di correzione colore compatibili.

Per caricare due LUT distinte, clicca sul pulsante “Load” di ciascuna, seleziona il file .cube desiderato dal computer, poi clicca su OK. Clicca su “Save” per confermare. Il nome del file LUT apparirà accanto ai rispettivi pulsanti “Load”, per indicare chiaramente quali LUT sono in uso per la LUT 1 e la LUT 2.

### • Cos'è una LUT 3D?

Una LUT 3D (look up table) è un file contenente una tabella di valori utilizzati per modificare lo spazio colore del video all'interno di un cubo di colore.

Il cubo di colore contiene tutte le variazioni della combinazione di ogni colore primario, identificabili sugli assi x, y, e z. I canali RGB all'interno del video SDI di ingresso si possono dunque riassegnare a qualsiasi altro segnale RGB di uscita sull'uscita HDMI. Questo è uno strumento molto potente perché ogni colore è assegnabile a un colore qualsiasi. La correzione colore per calibrare i display è quindi estremamente precisa, e per di più consente di caricare curve gamma logaritmiche per visualizzare la gamma lineare dei file RAW sul set.

Per esempio una delle LUT di default è in grado di convertire il video di ingresso in bianco e nero. Ciò significa che grazie alla LUT 3D, tutti i colori RGB vengono riassegnati ai valori RGB nero e bianco sull'uscita HDMI. Puoi creare LUT 3D personalizzate e applicarle tramite l'utilità di sistema. Inoltre Mini Converter SDI to HDMI 6G permette di usare LUT personalizzate, create a partire da una correzione colore su DaVinci Resolve. Le LUT 3D si possono trasmettere attraverso l'uscita SDI di loop, trasformando il convertitore in un comodo processore di colore, anche quando non si usa l'uscita HDMI.

Per tutti i dettagli su come creare una LUT 3D con estensione .cube, consulta il manuale di DaVinci Resolve, disponibile per il download alla pagina [www.blackmagicdesign.com/it/support](http://www.blackmagicdesign.com/it/support).

### • Clip video output to legal levels

Spunta questa casella per mantenere il clipping dell'ingresso SDI entro i livelli HDMI definiti dalla norma. È consigliabile tenerla sempre selezionata.

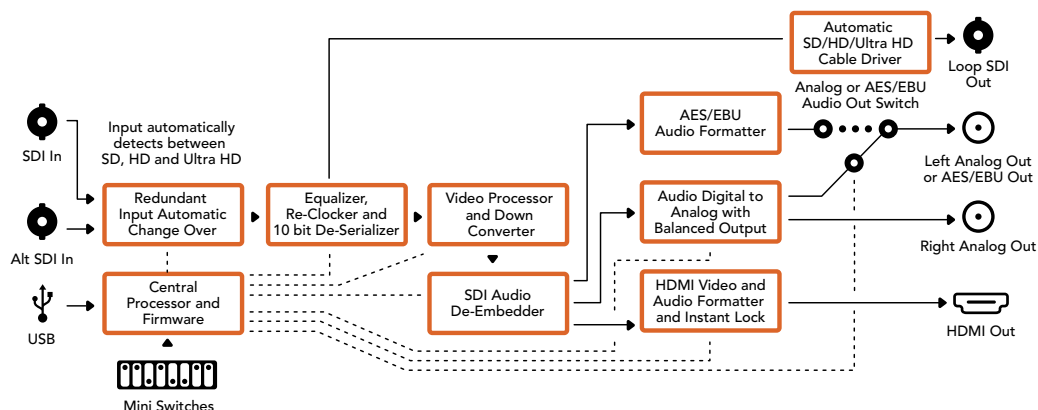
## Il menù “Output Levels”

Questo menù consente di regolare il guadagno dell'uscita audio per singoli canali o coppie di canali, cliccando sull'icona di collegamento accanto alle barre del cursore. Per resettare i livelli audio a 0 dB, clicca sulla freccia circolare in alto a destra del menù “Output Levels”. La tab “Audio” di Mini Converter SDI to HDMI 6G contiene le seguenti impostazioni.



Accedi alla tab “Audio” per regolare i livelli audio.

## Lo schema di Mini Converter SDI to HDMI 6G



## Mini Converter HDMI to SDI

Mini Converter HDMI to SDI converte in SDI i segnali HDMI di uscita provenienti da dispositivi come telecamere HDV e console di gioco, integrando l'audio dagli ingressi HDMI, AES/EBU o analogico bilanciato. Consente di inviare segnali video HDMI mediante lunghi cavi SDI, e di aggiungere uscite SDI ai computer dotati di connessione HDMI. Inoltre questo modello converte HD in SD.



## Connettori

- 1 HDMI**  
HDMI tipo A per ingresso video.
- 2 L - ANALOG or AES/EBU**  
Connettore jack 1/4" per uscita audio analogico bilanciato (canale di sinistra) o audio digitale AES/EBU.
- 3 R - ANALOG**  
Connettore jack 1/4" per ingresso audio analogico bilanciato (canale di destra).
- 4 Porta USB MINI B**  
Si connette ai computer Mac OS X o Windows per accedere all'utilità Blackmagic Converter Setup. La connessione USB consente anche di aggiornare il software interno del convertitore.

- 5 SDI OUT**  
Connettore BNC per uscita video SDI.
- 6 SDI OUT**  
Uscita SDI ridondante.
- 7 POWER +12V**  
Ingresso di alimentazione 12V.

## Interruttori

Gli interruttori di Mini Converter HDMI to SDI consentono di regolare le seguenti impostazioni:

### Interruttore 8 - Analog Audio, AES/EBU Audio

Posiziona l'interruttore 8 su OFF per selezionare l'audio analogico bilanciato, su ON per l'audio digitale AES/EBU di entrata. Per usare questi ingressi, posiziona l'interruttore 7 su ON.

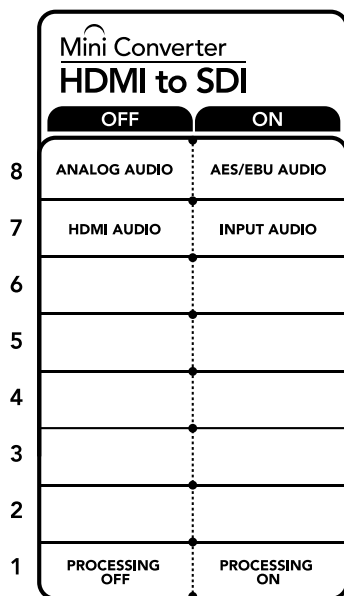
### Interruttore 7 - HDMI Audio - Input Audio

Posiziona l'interruttore 7 su OFF per selezionare audio HDMI integrato, su ON per audio analogico o AES/EBU.

### Interruttore 1 - Processing Off - Processing On

Conversione in minore risoluzione con o senza l'opzione di 3 tipi di rapporto d'aspetto. Posiziona l'interruttore 1 su ON per selezionare il rapporto d'aspetto anamorfico, center cut o letterbox. Posiziona l'interruttore 1 su OFF per aggirare la conversione in minore risoluzione e trasmettere in HD.

Connettendo il convertitore a un computer tramite USB è possibile gestire queste impostazioni con Blackmagic Converter Setup. Per far sì che il convertitore memorizzi le impostazioni configurate con l'utilità, disconnetti il cavo USB e configura le impostazioni di conversione in minore risoluzione usando l'interruttore 1.



Lo schema alla base del dispositivo mostra tutte le combinazioni delle impostazioni di conversione.

## Le impostazioni di Blackmagic Converter Setup

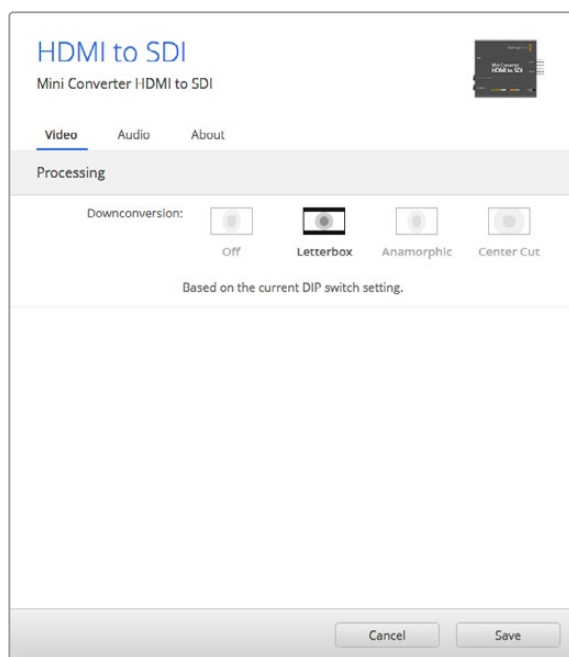
L'utilità Blackmagic Converter Setup consente di cambiare le impostazioni e aggiornare il software del Mini Converter. Tutte le impostazioni disponibili sono contenute nelle tab "Video", "Audio" e "About".

La tab "About" è descritta in dettaglio nel capitolo "Cambiare le impostazioni" del manuale.

La tab "Video" di Mini Converter HDMI to SDI contiene le seguenti impostazioni.

### Il menù "Processing"

Questo menù consente di selezionare il rapporto d'aspetto dei contenuti convertiti in minore risoluzione (HD in SD). Le opzioni disponibili sono "Letterbox", "Anamorphic", "Center cut" e "Off".

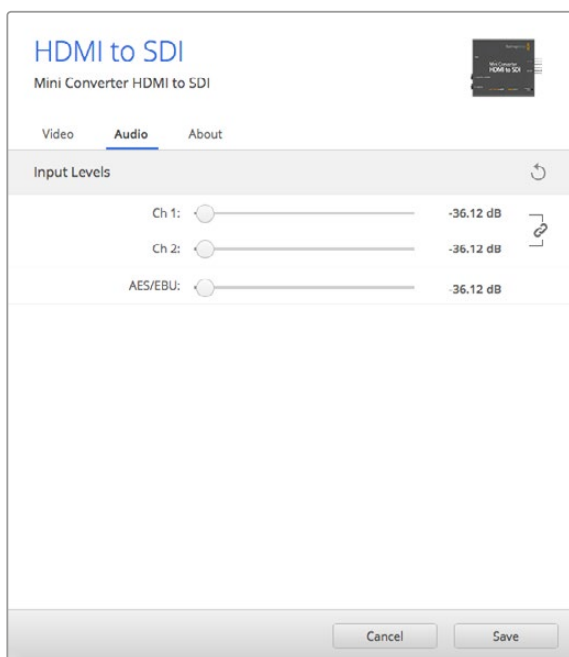


Regola le impostazioni di elaborazione nella tab "Video".

La tab "Audio" di Mini Converter HDMI to SDI contiene le seguenti impostazioni:

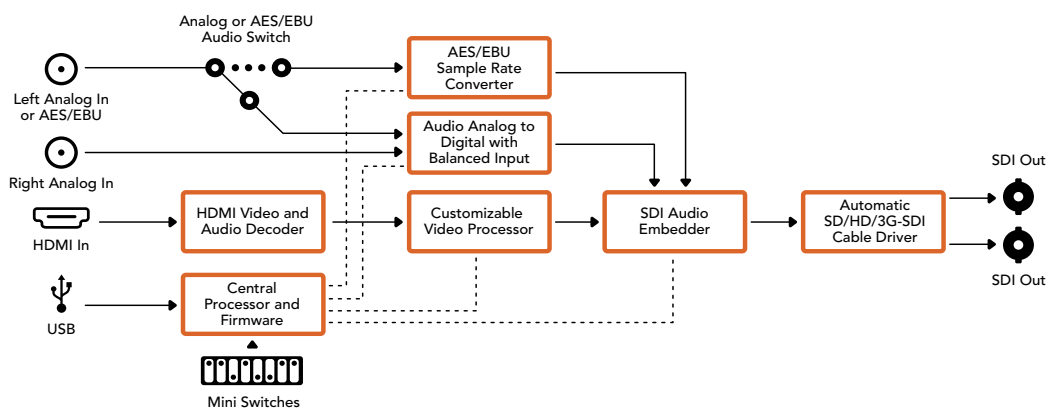
### Il menù "Input levels"

Questo menù consente di regolare il guadagno dell'ingresso audio, singolarmente per canale o per coppie di canali cliccando sull'icona di collegamento accanto alle barre del cursore. Per resettare i livelli audio a 0 dB clicca sulla freccia circolare a destra del menù "Input levels".



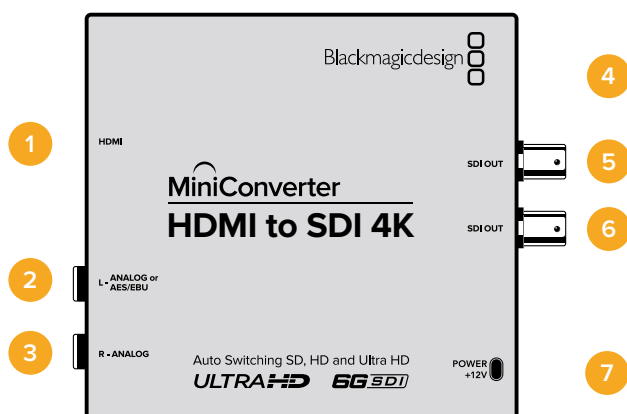
Accedi alla tab "Audio" per regolare i livelli audio.

## Lo schema di Mini Converter HDMI to SDI



## Mini Converter HDMI to SDI 4K

I modelli Mini Converter HDMI to SDI 4K e HDMI to SDI 4K Heavy Duty convertono in SDI i segnali HDMI in uscita da dispositivi come telecamere HDV e console di gioco, integrando l'audio dagli ingressi HDMI, AES/EBU o analogico bilanciato. Consentono di inviare i segnali video della connessione HDMI mediante lunghi cavi SDI e di aggiungere uscite SDI ai computer dotati di connessione HDMI.



## Connettori

- 1 HDMI**  
HDMI tipo A per ingresso video.
- 2 L - ANALOG or AES/EBU** Connettore jack 1/4" per uscita audio analogico bilanciato (canale di sinistra) o audio digitale AES/EBU.
- 3 R - ANALOG**  
Connettore jack 1/4" per ingresso audio analogico bilanciato (canale di destra).
- 4 Porta USB MINI B**  
Si connette ai computer Mac OS X o Windows per accedere all'utilità Blackmagic Converter Setup. La connessione USB consente anche di aggiornare il software interno del convertitore.
- 5 SDI OUT**  
Connettore BNC per uscita video SDI.
- 6 SDI OUT**  
Uscita SDI ridondante.
- 7 POWER +12V**  
Ingresso di alimentazione 12V.

## Interruttori

**SUGGERIMENTO** Gli interruttori di Mini Converter Heavy Duty sono protetti da uno sportellino in gomma. Sollevalo per accedere agli interruttori.

Gli interruttori di Mini Converter HDMI to SDI 4K consentono di impostare le seguenti impostazioni:

### Interruttore 8 - Analog Audio, AES/EBU Audio

Posiziona l'interruttore 8 su OFF per selezionare l'audio analogico bilanciato, su ON per l'audio digitale AES/EBU di entrata. Per usare questi ingressi, posiziona l'interruttore 7 su ON.

### Interruttore 7 - HDMI Audio - Input Audio

Posiziona l'interruttore 7 su OFF per selezionare audio HDMI integrato, su ON per audio analogico o AES/EBU.



## Interruttori 2, 1 - Select Format Bit 1, 0

Connettendo una fonte HDMI in grado di trasmettere in Ultra HD o HD, puoi configurare il convertitore perché trasmetta in Ultra HD o in HD. È un'opzione molto vantaggiosa se desideri registrare o visualizzare in HD il desktop del computer su dispositivi SDI.

Questa impostazione non converte in minore o maggiore risoluzione, ma fa sì che la fonte connessa trasmetta in Ultra HD o HD, e di conseguenza il convertitore trasmetta il video in HD o Ultra HD nativo senza eseguire alcuna conversione.

Sfrutta gli interruttori 1 e 2 per forzare la fonte video in HD o Ultra HD, o lasciare che il convertitore opti per la risoluzione ottimale in base al dispositivo connesso.

Le combinazioni sono riportate qui sotto:

### Auto - Interruttore 1 su OFF, interruttore 2 su OFF.

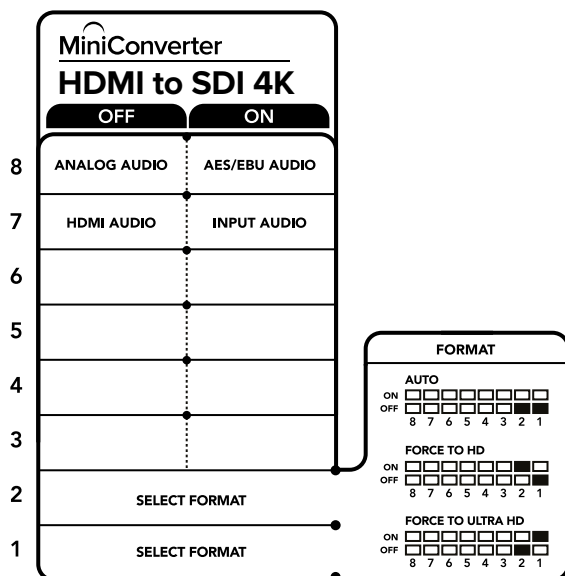
Il convertitore sceglie la risoluzione HD o Ultra HD ottimale in base alle specifiche del dispositivo connesso.

### Force to HD - Interruttore 1 su OFF, interruttore 2 su ON.

Se la fonte HDMI è in grado di trasmettere in HD o Ultra HD, il convertitore forza la trasmissione del video in HD.

### Force to Ultra HD - Interruttore 1 su ON, interruttore 2 su OFF.

Se la fonte HDMI è in grado di trasmettere in HD o Ultra HD, il convertitore forza la trasmissione del video in Ultra HD.



Lo schema alla base del dispositivo mostra tutte le combinazioni delle impostazioni di conversione.

## Le impostazioni di Blackmagic Converter Setup

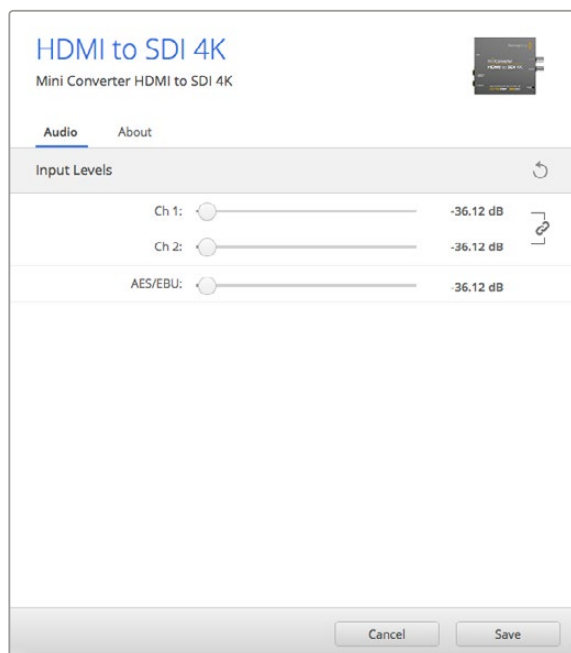
L'utilità Blackmagic Converter Setup consente di cambiare le impostazioni e aggiornare il software del Mini Converter. Tutte le impostazioni disponibili sono contenute nelle tab "Audio" e "About".

La tab "About" è descritta in dettaglio nel capitolo "Cambiare le impostazioni" del manuale.

La tab "Audio" di Mini Converter HDMI to SDI 4K contiene le seguenti impostazioni:

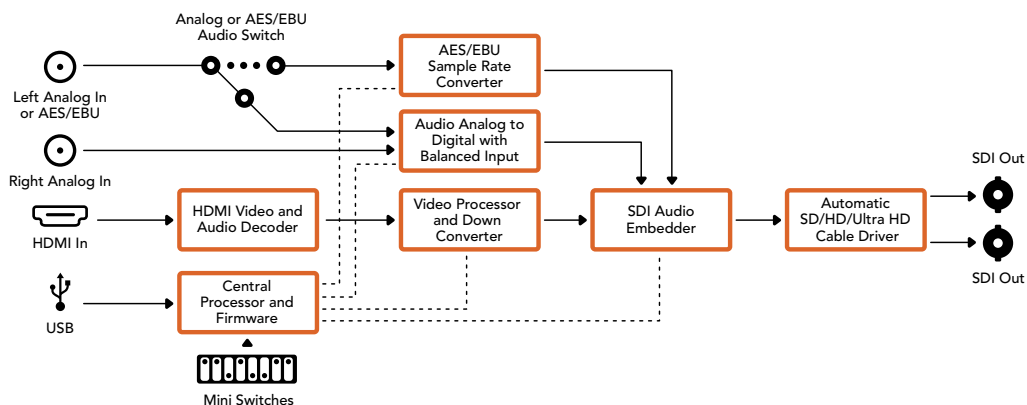
## Il menù "Input levels"

Questo menù consente di regolare il guadagno dell'ingresso audio singolarmente o per coppie di canali, cliccando sull'icona di collegamento accanto alle barre del cursore. Per resettare i livelli audio a 0 dB clicca sulla freccia circolare a destra del menù "Input levels".



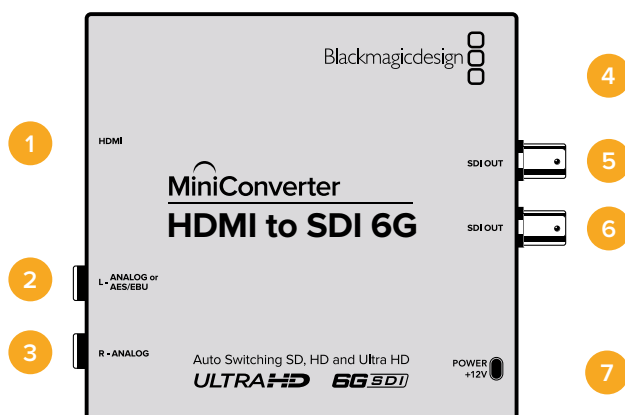
Accedi alla tab "Audio" per regolare i livelli audio.

## Lo schema di Mini Converter HDMI to SDI 4K



## Mini Converter HDMI to SDI 6G

Mini Converter HDMI to SDI 6G converte in SDI i segnali di uscita provenienti da dispositivi HDMI come telecamere HDV e console di gioco, con l'opzione di integrare l'audio dagli ingressi HDMI, AES/EBU, o analogico bilanciato. Invia i segnali video della connessione HDMI a dispositivi SDI mediante lunghi cavi SDI. Inoltre consente di aggiungere uscite SDI ai computer compatibili con l'HDMI.



## Connettori

- 1 HDMI**  
HDMI tipo A per ingresso video.
- 2 L - ANALOG or AES/EBU**  
Jack 1/4" per il canale audio analogico bilanciato di sinistra o l'ingresso audio digitale AES/EBU.
- 3 R - ANALOG**  
Jack 1/4" per il canale audio analogico bilanciato di destra.
- 4 Porta USB Mini B**  
Si connette ai computer Mac OS X o Windows per accedere a Blackmagic Converter Setup. La connessione USB consente anche di aggiornare il software interno del convertitore.
- 5 SDI OUT**  
Connettore BNC per video in uscita.
- 6 SDI OUT**  
Uscita SDI ridondante.
- 7 POWER +12V**  
Ingresso di alimentazione 12V.

## Interruttori

Gli interruttori di Mini Converter HDMI to SDI 6G consentono di regolare le seguenti impostazioni:

### Interruttore 8 - Analog Audio, AES/EBU Audio

Posiziona l'interruttore 8 su OFF per selezionare l'audio analogico bilanciato, su ON per l'ingresso audio digitale AES/EBU. Per usare questi ingressi, posiziona l'interruttore 7 su ON.

### Interruttore 7 - HDMI Audio, Input Audio

Posiziona l'interruttore 7 su OFF per selezionare l'audio HDMI integrato, su ON per l'audio analogico o AES/EBU.

### Switch 6 - 3G Level B Output (Normal), 3G Level A Output

Imposta l'interruttore 6 su OFF per selezionare il 3G di livello B, su ON per il 3G di livello A.

### Interruttori 2, 1 - Select Format Bit 1, 0

Connettendo una fonte HDMI in grado di trasmettere in Ultra HD o HD, puoi configurare il convertitore perché trasmetta o in Ultra HD o in HD. È un'opzione molto vantaggiosa per registrare o visualizzare il desktop del computer in HD su dispositivi SDI.

Questa impostazione non converte in minore o maggiore risoluzione, ma fa sì che la fonte connessa trasmetta in Ultra HD o HD, e di conseguenza il convertitore trasmetta il video in HD o Ultra HD nativo senza eseguire alcuna conversione.

Sfrutta gli interruttori 1 e 2 per forzare la fonte video in HD o Ultra HD, o lasciare che il convertitore opti per la risoluzione ottimale in base al dispositivo connesso.

Le combinazioni sono riportate qui sotto:

**Auto - Interruttore 1 su OFF, interruttore 2 su OFF**

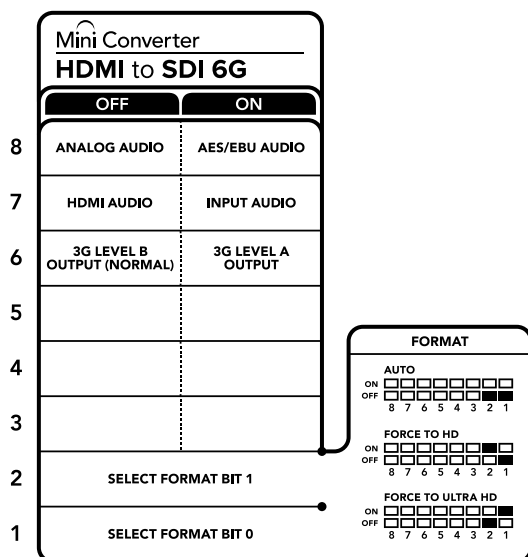
Il convertitore sceglie la risoluzione HD o Ultra HD ottimale in base alle specifiche del dispositivo connesso.

**Force to HD - Interruttore 1 su OFF, interruttore 2 su ON**

Se la fonte HDMI è in grado di trasmettere in HD o Ultra HD, il convertitore forza la trasmissione del video in HD.

**Force to Ultra HD - Interruttore 1 su ON, interruttore 2 su OFF**

Se la fonte HDMI è in grado di trasmettere in HD o Ultra HD, il convertitore forza la trasmissione del video in Ultra HD.



Lo schema alla base del dispositivo mostra tutte le combinazioni delle impostazioni di conversione.

## Le impostazioni di Blackmagic Converter Setup

L'utilità Blackmagic Converter Setup consente di cambiare le impostazioni e aggiornare il software di Mini Converter. Tutte le impostazioni disponibili sono contenute nelle tab "Audio" e "About". La tab "About" è descritta in dettaglio nel capitolo "Cambiare le impostazioni" del manuale. La tab "Audio" di Mini Converter HDMI to SDI 6G contiene le seguenti impostazioni.

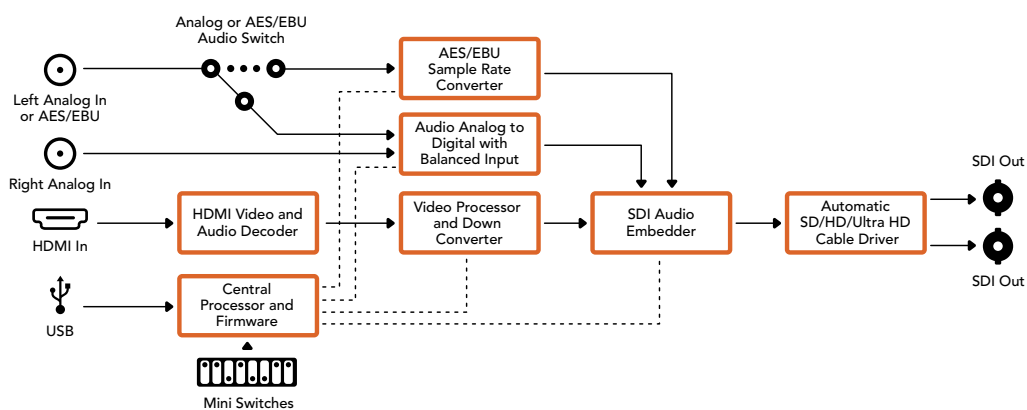
**Il menù "Input levels"**

Questo menù consente di regolare il guadagno dell'ingresso audio per singoli canali o coppie di canali, cliccando sull'icona di collegamento accanto alle barre del cursore. Per resettare i livelli audio a 0 dB clicca sulla freccia circolare a destra del menù "Input levels".



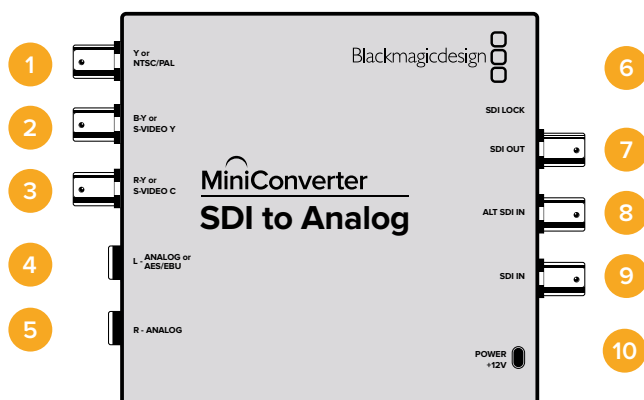
Accedi alla tab "Audio" per regolare i livelli audio.

## Lo schema di Mini Converter HDMI to SDI 6G



## Mini Converter SDI to Analog

Converte i formati SD SDI e HD-SDI in video analogico a componenti, NTSC e PAL, con audio bilanciato AES/EBU e audio analogico. Consente la connessione ai monitor e ai deck analogici tra cui Betacam SP e VHS. Integra un hardware di conversione per connettere video HD-SDI ai dispositivi analogici SD. Inoltre è in grado di trasmettere coppie di audio analogico da 16 canali audio SDI separati.



## Connettori

- 1 Y or NTSC/PAL**  
Connettore BNC per uscita analogico a componenti Y o composito NTSC/PAL.
- 2 B-Y or S-VIDEO Y**  
Connettore BNC per uscita analogico a componenti B-Y o s-video Y.
- 3 R-Y or S-VIDEO C**  
Connettore BNC per uscita analogico a componenti R-Y o s-video C.
- 4 L - ANALOG or AES/EBU**  
Connettore jack 1/4" per uscita audio analogico bilanciato (canale di sinistra) o audio digitale AES/EBU.
- 5 R - ANALOG**  
Connettore jack 1/4" per uscita audio analogico bilanciato (canale di destra).
- 6 Porta USB MINI B**  
Si connette ai computer Mac OS X o Windows per accedere all'utilità Blackmagic Converter Setup. La connessione USB consente anche di aggiornare il software interno del convertitore.
- 7 SDI OUT**  
Connettore BNC per uscita video SDI.
- 8 ALT SDI IN**  
Ingresso SDI ridondante.
- 9 SDI IN**  
Ingresso SDI principale.
- 10 POWER +12V**  
Ingresso di alimentazione 12V.

## Interruttori

### Interruttore 8 - Analog Audio, AES/EBU Audio

Posiziona l'interruttore 8 su OFF per trasmettere audio analogico bilanciato, su ON per audio digitale AES/EBU.

### Interruttore 7 - 7.5 IRE - 0.0 IRE

Negli Stati Uniti e nei Paesi che utilizzano NTSC 7.5, posiziona l'interruttore 7 su OFF. Nei Paesi che non usano lo standard 7.5, posiziona l'interruttore 7 su ON. Questa impostazione interessa solamente le uscite di video composito o s-video.

### Interruttore 6 - SMPTE Levels - Betacam Levels

Posiziona l'interruttore 6 su OFF per selezionare lo standard SMPTE, su ON per lo standard Betacam. Lo standard SMPTE è più comune ed è compatibile anche con i deck Betacam SP. Se desideri scegliere Betacam, assicurati che sia lo standard utilizzato.

### Interruttore 5 - Component, Composite o S-Video

Posiziona l'interruttore 5 su OFF per trasmettere video analogico a componenti, su ON per il video composito e s-video.

Per mostrare l'ingresso video HD sulle uscite s-video e composito, posiziona l'interruttore 1 su ON. Il video analogico a componenti supporta HD e SD.

### Interruttore 4 - SDI Audio De-Embed Bit 2

Gli interruttori 4, 3 e 2 sono raggruppati per ottenere 8 combinazioni ON/OFF. Con otto combinazioni diverse è possibile separare otto coppie di canali audio indipendenti dall'ingresso SDI.

### Interruttore 3 - SDI Audio De-Embed Bit 1

Vedi Interruttore 4.

### Interruttore 2 - SDI Audio De-Embed Bit 0

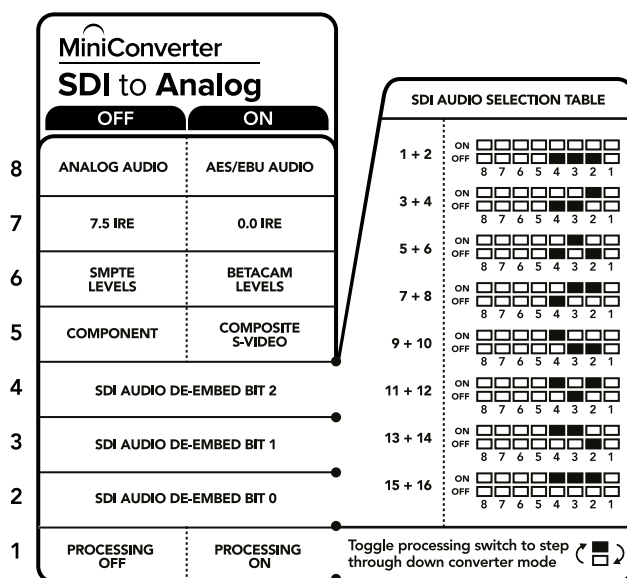
Vedi Interruttore 4.

### Interruttore 1 - Processing Off - Processing On

Conversione in minore risoluzione con o senza l'opzione di 3 tipi di rapporto d'aspetto. Posiziona l'interruttore 1 su ON per selezionare il rapporto d'aspetto anamorfico, center cut o letterbox.

Posiziona l'interruttore 1 su OFF per aggirare la conversione in minore risoluzione e trasmettere in HD.

Connettendo il convertitore a un computer tramite USB è possibile gestire queste impostazioni con Blackmagic Converter Setup. Per far sì che il convertitore memorizzi le impostazioni configurate con l'utilità, disconnetti il cavo USB e configura le impostazioni di conversione in minore risoluzione usando l'interruttore 1.



sle combinazioni delle impostazioni di conversione.

### Esempio di configurazione

In questo esempio impostiamo gli interruttori 8, 5, 4, 3 e 2 di Blackmagic Mini Converter su OFF per trasmettere video a componenti ad alta definizione e i canali audio 1 e 2.

## Tabella di selezione audio SDI

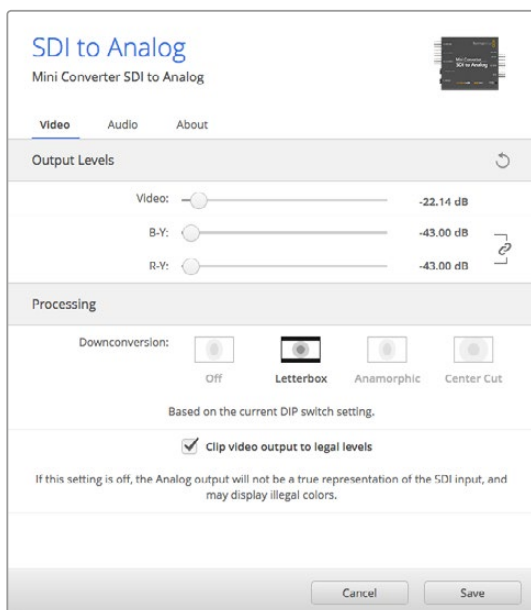
Canali audio	Interruttore 4	Interruttore 3	Interruttore 2	Posizione
1 e 2	OFF	OFF	OFF	ON OFF 
3 e 4	OFF	OFF	ON	ON OFF 
5 e 6	OFF	ON	OFF	ON OFF 
7 e 8	OFF	ON	ON	ON OFF 
9 e 10	ON	OFF	OFF	ON OFF 
11 e 12	ON	OFF	ON	ON OFF 
13 e 14	ON	ON	OFF	ON OFF 
15 e 16	ON	ON	ON	ON OFF 

## Le impostazioni di Blackmagic Converter Setup

L'utilità Blackmagic Converter Setup consente di cambiare le impostazioni e aggiornare il software del Mini Converter. Tutte le impostazioni disponibili sono contenute nelle tab "Video", "Audio" e "About".

La tab "About" è descritta in dettaglio nel capitolo "Cambiare le impostazioni" del manuale.

La tab "Video" di Mini Converter SDI to Analog contiene le seguenti impostazioni:



Regola i livelli del video analogo e le impostazioni di elaborazione nella tab "Video".



## Il menù "Processing"

In questo menù puoi impostare il rapporto d'aspetto del video convertito in minore risoluzione. Le opzioni disponibili sono "Letterbox", "Anamorphic", "Center cut" e "Off".

La voce "Clip video output to legal levels" limita il clipping dell'ingresso SDI entro i livelli HDMI a norma, ed è consigliabile tenerla sempre selezionata.

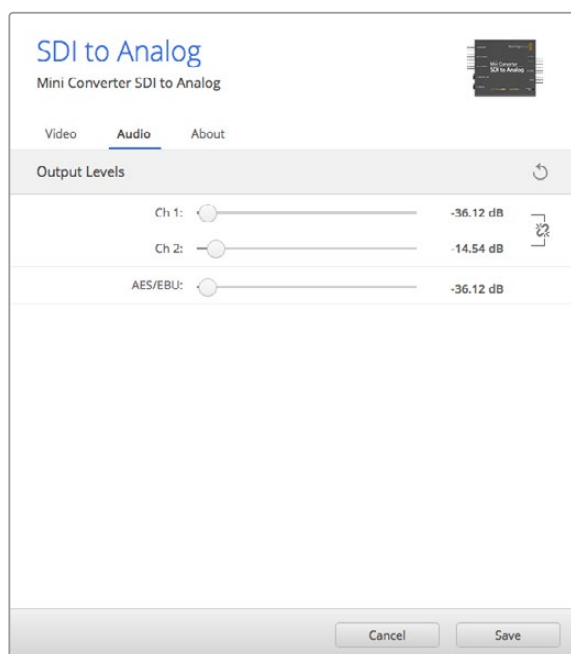
## Il menù "Output Levels"

In questo menù puoi impostare la luminanza e la cromaticanza, e i livelli dei componenti B-Y e R-Y indipendentemente.

La tab "Video" di Mini Converter SDI to Analog contiene le seguenti impostazioni:

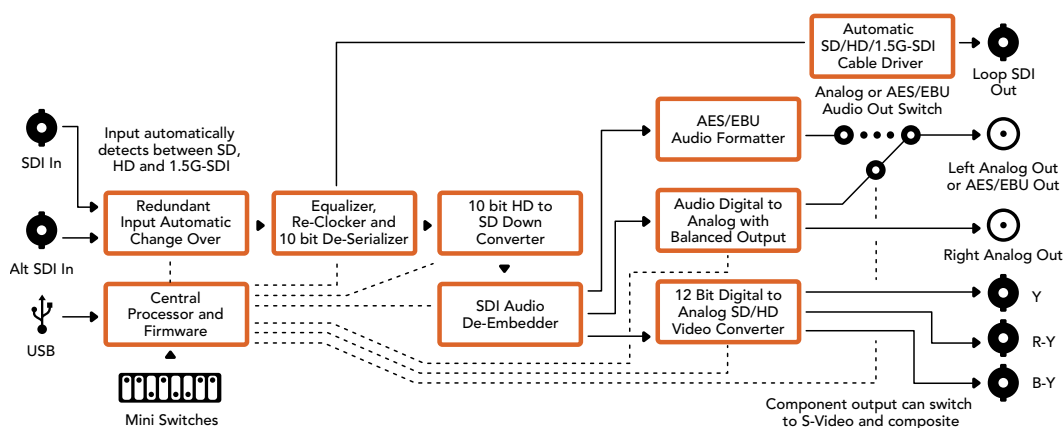
## Il menù "Output Levels"

Questo menù consente di regolare il guadagno dell'uscita audio, singolarmente o per coppie di canali, cliccando sull'icona di collegamento accanto alle barre del cursore. Per resettare i livelli audio a 0 dB clicca sulla freccia circolare a destra del menù "Output Levels".



Accedi alla tab "Audio" per regolare i livelli di audio analogico.

## Lo schema di Mini Converter SDI to Analog



## Mini Converter SDI to Analog 4K

I modelli Mini Converter SDI to Analog 4K e SDI to Analog 4K Heavy Duty convertono SD/HD/3G/6G-SDI in video analogico a componenti, NTSC e PAL, con audio bilanciato AES/EBU e audio analogico. Il convertitore per risoluzione minore consente di connettere il 6G-SDI ai dispositivi analogici in SD e HD, e utilizzare monitor e deck tra cui Betacam SP e VHS. Inoltre è in grado di trasmettere coppie di audio analogico da 16 canali audio SDI separati.



### Connettori

- 1 Y or NTSC/PAL**  
Connettore BNC per uscita analogico a componenti Y o composto NTSC/PAL.
- 2 B-Y or S-VIDEO Y**  
Connettore BNC per uscita analogico a componenti B-Y o s-video Y.
- 3 R-Y or S-VIDEO C**  
Connettore BNC per uscita analogico a componenti R-Y o s-video C.
- 4 L - ANALOG or AES/EBU**  
Connettore jack 1/4" per uscita audio analogico bilanciato (canale di sinistra) o audio digitale AES/EBU.
- 5 R - ANALOG**  
Connettore jack 1/4" per uscita audio analogico bilanciato (canale di destra).
- 6 Porta USB MINI B**  
Si connette ai computer Mac OS X o Windows per accedere all'utilità Blackmagic Converter Setup. La connessione USB consente anche di aggiornare il software interno del convertitore.
- 7 SDI OUT**  
Connettore BNC per uscita video SDI.
- 8 ALT SDI IN**  
Ingresso SDI ridondante.
- 9 SDI IN**  
Ingresso SDI principale.
- 10 POWER +12V**  
Ingresso di alimentazione 12V.

## Interruttori

**SUGGERIMENTO** Gli interruttori di Mini Converter Heavy Duty sono protetti da uno sportellino in gomma. Sollevalo per accedere agli interruttori.

Gli interruttori di Mini Converter SDI to Analog 4K consentono di regolare le seguenti impostazioni:

### **Interruttore 8 - Analog Audio, AES/EBU Audio**

Posiziona l'interruttore 8 su OFF per trasmettere audio analogico bilanciato, su ON per audio digitale AES/EBU.

### **Interruttore 7 - 7.5 IRE - 0.0 IRE**

Negli Stati Uniti e nei Paesi che utilizzano NTSC 7.5, posiziona l'interruttore 7 su OFF. Nei Paesi che non usano lo standard 7.5, posiziona l'interruttore 7 su ON. Questa impostazione interessa solamente le uscite di video composito o s-video.

### **Interruttore 6 - SMPTE Levels - Betacam Levels**

Posiziona l'interruttore 6 su OFF per selezionare lo standard SMPTE, su ON per lo standard Betacam. Lo standard SMPTE è più comune ed è compatibile anche con i deck Betacam SP. Se desideri scegliere Betacam, assicurati che sia lo standard utilizzato.

### **Interruttore 5 - Component, Composite o S-Video**

Posiziona l'interruttore 5 su OFF per trasmettere video analogico a componenti, su ON per il video composito e s-video.

Per mostrare l'ingresso video HD nel formato SD sulle uscite s-video e composito, posiziona l'interruttore 1 su ON. Il video analogico a componenti supporta sia l'HD che l'SD.

### **Interruttori 4, 3, 2 - SDI Audio De-Embed**

Gli interruttori 4, 3 e 2 sono raggruppati per ottenere 8 combinazioni ON/OFF. Con otto combinazioni diverse è possibile separare otto coppie di canali audio indipendenti dall'ingresso SDI.

### **Interruttore 1 - Processing Off - Processing On**

Conversione per minore risoluzione con 3 tipi di rapporto d'aspetto, selezionabili posizionando l'interruttore 1 sull'opzione desiderata. Posiziona l'interruttore 1 su ON per selezionare il rapporto d'aspetto anamorfico, center cut o letterbox.

In presenza di un ingresso HD o Ultra HD, posiziona l'interruttore su OFF per trasmettere video analogico HD tramite le uscite a componenti.

Posizionando l'interruttore su ON, l'ingresso Ultra HD converte il video in minore risoluzione in analogico PAL/NTSC o a componenti HD a seconda della posizione degli altri interruttori. Il 4K DCI viene ridimensionato sull'uscita HD a componenti.

Posizionando l'interruttore su ON, l'ingresso HD converte il video in minore risoluzione in analogico PAL/NTSC o a componenti a seconda della posizione degli altri interruttori.

Connettendo il convertitore a un computer tramite USB è possibile gestire queste impostazioni con Blackmagic Converter Setup. Per far sì che il convertitore memorizzi le impostazioni configurate con l'utilità, disconnetti il cavo USB e configura le impostazioni di conversione in minore risoluzione usando l'interruttore 1.



## Le impostazioni di Blackmagic Converter Setup

L'utilità Blackmagic Converter Setup consente di cambiare le impostazioni e aggiornare il software del Mini Converter. Tutte le impostazioni disponibili sono contenute nelle tab "Video", "Audio" e "About".

La tab "About" è descritta in dettaglio nel capitolo "Cambiare le impostazioni" del manuale.

La tab "Video" di Mini Converter SDI to Analog 4K contiene le seguenti impostazioni:

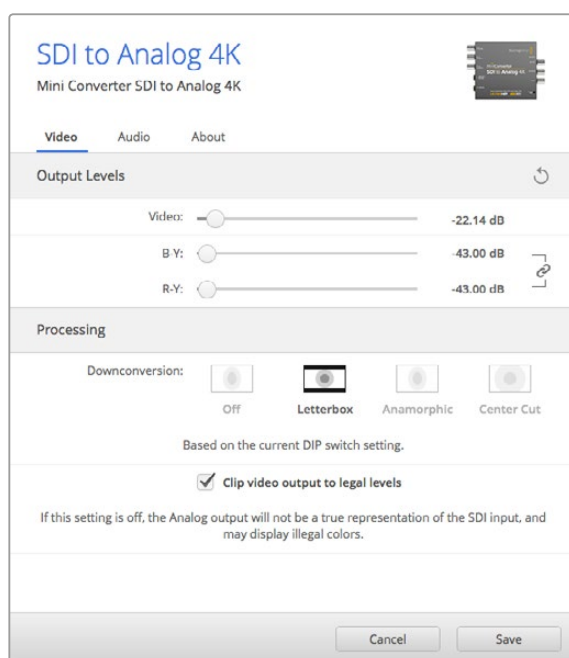
### Il menù "Output Levels"

In questo menù puoi impostare la luminanza e la cromaticanza, e i livelli dei componenti B-Y e R-Y indipendentemente.

### Il menù "Processing"

In questo menù puoi impostare il rapporto d'aspetto del video convertito in minore risoluzione. Le opzioni disponibili sono "Letterbox", "Anamorphic", "Center cut" e "Off".

La voce "Clip video output to legal levels" limita il clipping dell'ingresso SDI entro i livelli HDMI a norma, ed è consigliabile tenerla sempre selezionata.

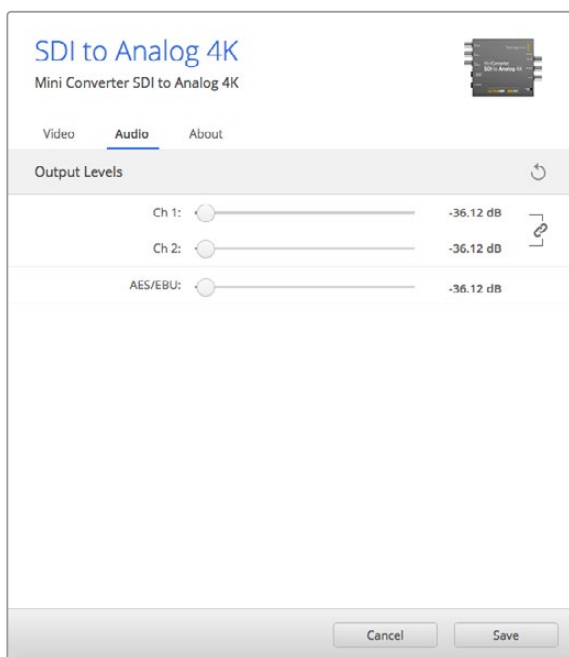


Regola i livelli del video analogo e le impostazioni di elaborazione nella tab "Video".

La tab "Video" di Mini Converter SDI to Analog 4K contiene le seguenti impostazioni:

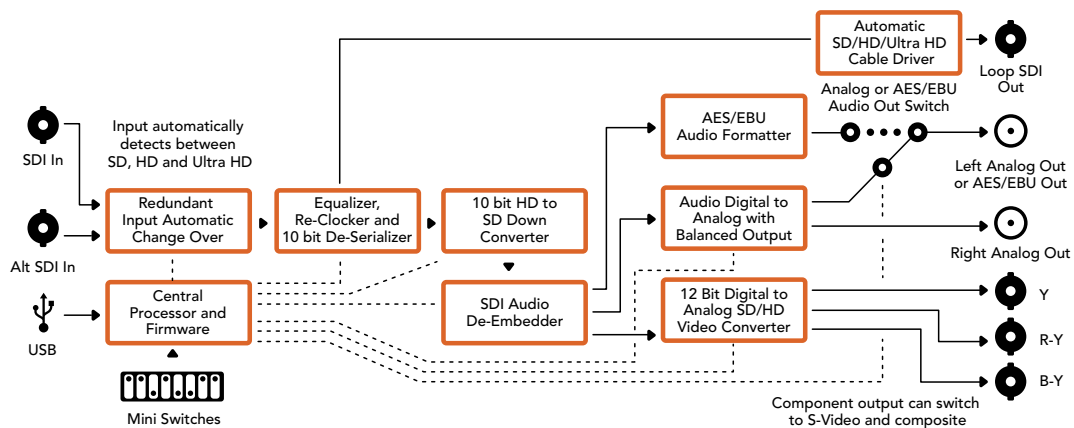
### Il menù "Output Levels"

Questo menù consente di regolare il guadagno dell'ingresso audio singolarmente o per coppie di canali, cliccando sull'icona di collegamento accanto alle barre del cursore. Per resettare i livelli audio a 0 dB clicca sulla freccia circolare in alto a destra del menù "Output Levels".



Accedi alla tab "Audio" per regolare i livelli di audio analogico.

## Lo schema di Mini Converter SDI to Analog 4K



## Mini Converter Analog to SDI

I modelli Mini Converter Analog to SDI e Analog to SDI Heavy Duty convertono i segnali video e audio provenienti da attrezzatura analogica, tra cui deck Betacam SP, telecamere HDV e console di gioco, in video SD/HD-SDI. Sono disponibili diversi formati analogici e digitali tra cui video a componenti SD/HD, s-video o composito NTSC e PAL. Le uscite HD-SDI del convertitore offrono l'opzione di integrare l'audio digitale AES/EBU o analogico.



## Connettori

- 1 Y or NTSC/PAL**  
Connettore BNC per ingresso analogico a componenti Y o composito NTSC/PAL.
- 2 B-Y or S-VIDEO Y**  
Connettore BNC per ingresso analogico a componenti B-Y o s-video Y.
- 3 R-Y or S-VIDEO C**  
Connettore BNC per ingresso analogico a componenti R-Y o s-video C.
- 4 L - ANALOG or AES/EBU**  
Connettore jack 1/4" per ingresso audio analogico bilanciato (canale di sinistra) o audio digitale AES/EBU.
- 5 R - ANALOG**  
Connettore jack 1/4" per ingresso audio analogico bilanciato (canale di destra).
- 6 Porta USB MINI B**  
Si connette ai computer Mac OS X o Windows per accedere all'utilità Blackmagic Converter Setup. La connessione USB consente anche di aggiornare il software interno del convertitore.
- 7 SDI OUT**  
Connettore BNC per uscita video SDI.
- 8 SDI OUT**  
Uscita SDI ridondante.
- 9 POWER +12V**  
Ingresso di alimentazione 12V.

## Interruttori

**SUGGERIMENTO** Gli interruttori di Mini Converter Heavy Duty sono protetti da uno sportellino in gomma. Sollevalo per accedere agli interruttori.

Gli interruttori di Mini Converter SDI to Analog consentono di impostare le seguenti impostazioni:

### Interruttore 8 - Analog Audio, AES/EBU Audio

Posiziona l'interruttore 8 su OFF per selezionare l'audio analogico bilanciato, su ON per l'audio digitale AES/EBU di entrata.

### Interruttore 7 - 7.5 IRE - 0.0 IRE

Negli Stati Uniti e nei Paesi che utilizzano NTSC 7.5, posiziona l'interruttore 7 su OFF. Nei Paesi che non usano lo standard 7.5, posiziona l'interruttore 7 su ON. Questa impostazione interessa solamente le uscite di video composito o s-video.

### Interruttore 6 - SMPTE Levels - Betacam Levels

Consente di selezionare lo standard SMPTE o Betacam. Posiziona l'interruttore 6 su OFF per selezionare SMPTE, su ON per Betacam. Lo standard SMPTE è più comune ed è compatibile anche con i deck Betacam SP. Se desideri scegliere Betacam, assicurati che sia lo standard utilizzato.

### Interruttore 5 - Component, Composite o S-Video

Posiziona l'interruttore 5 su OFF per selezionare l'ingresso video analogico a componenti, su ON per il video composito e s-video.

Mini Converter Analog to SDI		
	OFF	ON
8	ANALOG AUDIO	AES/EBU AUDIO
7	7.5 IRE	0.0 IRE
6	SMPTE LEVELS	BETACAM LEVELS
5	COMPONENT	COMPOSITE or S-VIDEO
4	COMPOSITE	S-VIDEO
3		
2		
1	PROCESSING OFF	PROCESSING ON

Lo schema alla base del dispositivo mostra tutte le combinazioni delle impostazioni di conversione.

### Interruttore 4 - Composite - S-Video

Posiziona l'interruttore 4 su OFF per selezionare l'ingresso video composito, su ON per s-video.

### Interruttore 1 - Processing Off - Processing On

Questo interruttore è inutilizzato.

## Esempio di configurazione

In questo esempio impostiamo gli interruttori 8 e 5 di Blackmagic Mini Converter su OFF per ricevere video a componenti e audio analogico.

## Le impostazioni di Blackmagic Converter Setup

L'utilità Blackmagic Converter Setup consente di cambiare le impostazioni e aggiornare il software del Mini Converter. Tutte le impostazioni disponibili sono contenute nelle tab "Video", "Audio" e "About".

La tab "About" è descritta in dettaglio nel capitolo "Cambiare le impostazioni" del manuale.

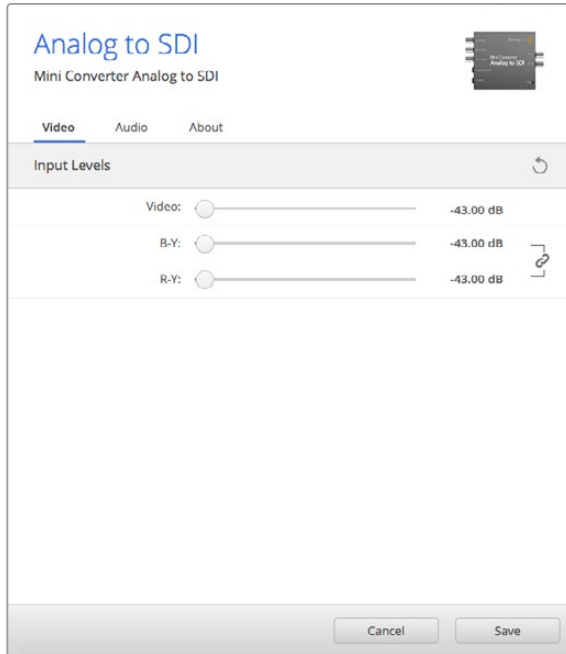
La tab "Video" di Mini Converter Analog to SDI contiene le seguenti impostazioni:



## Il menù "Input levels"

In questo menù puoi impostare la luminanza e la crominanza, e i livelli dei componenti B-Y e R-Y indipendentemente.

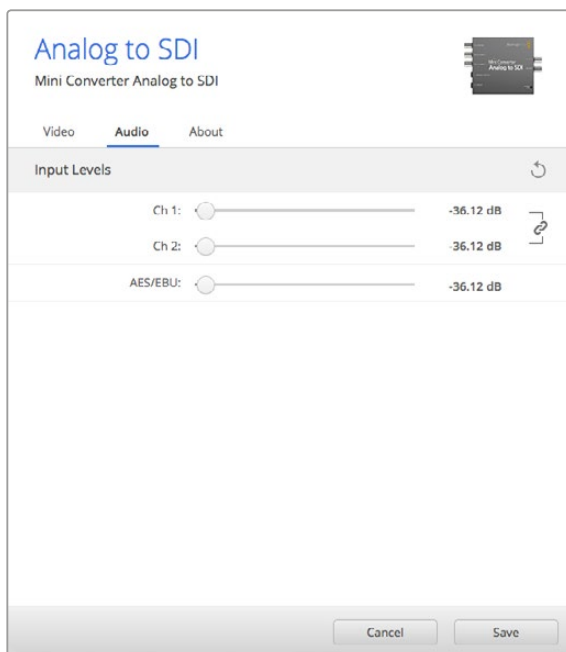
La tab "Audio" di Mini Converter HDMI to SDI contiene le seguenti impostazioni:



Regola i livelli video nella tab "Video".

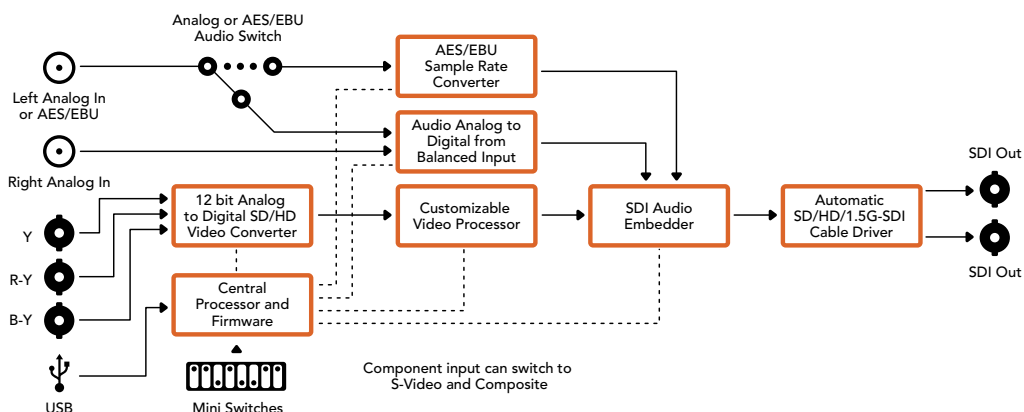
## Il menù "Input levels"

Questo menù consente di regolare il guadagno dell'ingresso audio singolarmente o per coppie di canali cliccando sull'icona di collegamento accanto alle barre del cursore. Per resettare i livelli audio a 0 dB clicca sulla freccia circolare a destra del menù "Input levels".



Accedi alla tab "Audio" per regolare i livelli di audio analogico.

## Lo schema di Mini Converter Analog to SDI



## Mini Converter SDI to Audio

Separa 4 canali audio da qualsiasi connessione video SDI e trasmette fino a 4 canali di audio analogico o 8 canali di audio digitale AES/EBU. Indirizza l'audio ai dispositivi analogici quali mixer, deck e altoparlanti di test. Consente anche di separare ulteriori canali audio SDI interconnettendo un altro Mini Converter SDI to Audio all'uscita SDI del convertitore.



## Connettori

- 1 CH 1 ANALOG or CH 1 & 2 AES/EBU**  
Connettore jack 1/4" per uscita audio analogico bilanciato (canale 1), o audio digitale AES/EBU (canali 1 e 2).
- 2 CH 2 ANALOG or CH 3 & 4 AES/EBU**  
Connettore jack 1/4" per uscita audio analogico bilanciato (canale 2), o audio digitale AES/EBU (canali 3 e 4).
- 3 CH 3 ANALOG or CH 5 & 6 AES/EBU**  
Connettore jack 1/4" per uscita audio analogico bilanciato (canale 3), o audio digitale AES/EBU (canali 5 e 6).
- 4 CH 4 ANALOG or CH 7 & 8 AES/EBU**  
Connettore jack 1/4" per uscita audio analogico bilanciato (canale 4), o audio digitale AES/EBU (canali 7 e 8).

## 5 Porta USB MINI B

Si connette ai computer Mac OS X o Windows per accedere all'utilità Blackmagic Converter Setup. La connessione USB consente anche di aggiornare il software interno del convertitore.

## 6 SDI OUT

Connettore BNC per uscita video SDI.

## 7 ALT SDI IN

Ingresso SDI ridondante. Se utilizzi entrambi gli ingressi SDI IN e ALT SDI IN, ALT SDI IN subentra se SDI IN si disconnette. La spia "SDI LOCK" lampeggia quando il convertitore passa all'ingresso ridondante.

## 8 SDI IN

Ingresso SDI principale.

## 9 POWER +12V

Ingresso di alimentazione 12V.

## Interruttori

Gli interruttori di Mini Converter SDI to Audio consentono di impostare le seguenti impostazioni:

### Interruttore 8 - Analog Audio, AES/EBU Audio

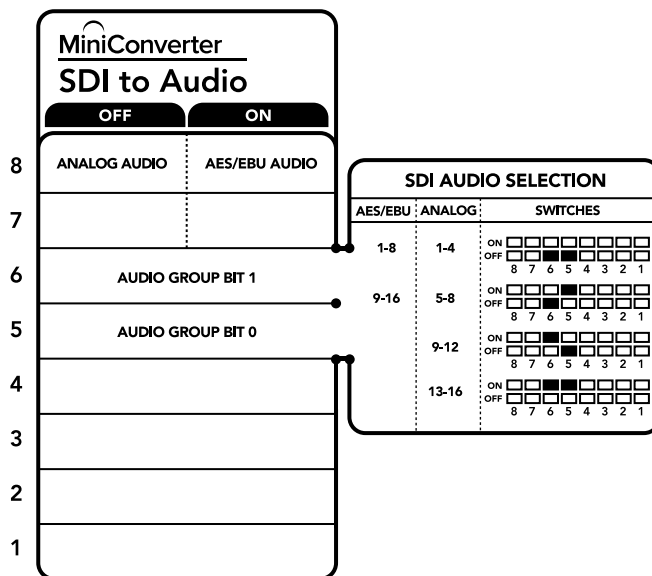
Posiziona l'interruttore 8 su OFF per trasmettere audio analogico bilanciato, su ON per audio digitale AES/EBU.

### Interruttore 6 - Audio Group Bit 1

Gli interruttori 6 e 5 sono raggruppati per ottenere 4 combinazioni ON/OFF. In questo modo si ottengono 4 coppie di canali di audio analogico, o 2 gruppi di 8 canali audio AES/EBU, separabili dall'ingresso SDI.

### Interruttore 6 - Audio Group Bit 0

Vedi Interruttore 6.



Lo schema alla base del dispositivo mostra tutte le combinazioni delle impostazioni di conversione.

## Esempio di configurazione

Prova diverse combinazioni cambiando la posizione degli interruttori. Seleziona i canali 1 e 4 di audio analogico posizionando gli interruttori 8, 6 e 5 su OFF.

## Tabella di selezione audio

Canali audio analogico	Interruttore 6	Interruttore 5	Posizione
1 - 4	OFF	OFF	ON <input type="checkbox"/> <input type="checkbox"/> <input type="checkbox"/> <input type="checkbox"/> <input type="checkbox"/> <input type="checkbox"/> <input type="checkbox"/> <input type="checkbox"/> OFF <input type="checkbox"/> <input checked="" type="checkbox"/> <input checked="" type="checkbox"/> <input checked="" type="checkbox"/> <input checked="" type="checkbox"/> <input type="checkbox"/> <input type="checkbox"/> <input type="checkbox"/>
5 - 8	OFF	ON	ON <input type="checkbox"/> <input type="checkbox"/> <input checked="" type="checkbox"/> <input checked="" type="checkbox"/> <input type="checkbox"/> <input type="checkbox"/> <input type="checkbox"/> <input type="checkbox"/> OFF <input type="checkbox"/> <input checked="" type="checkbox"/> <input checked="" type="checkbox"/> <input checked="" type="checkbox"/> <input checked="" type="checkbox"/> <input type="checkbox"/> <input type="checkbox"/> <input type="checkbox"/>
9 - 12	ON	OFF	ON <input type="checkbox"/> <input checked="" type="checkbox"/> <input checked="" type="checkbox"/> <input type="checkbox"/> <input type="checkbox"/> <input type="checkbox"/> <input type="checkbox"/> <input type="checkbox"/> OFF <input type="checkbox"/> <input type="checkbox"/> <input type="checkbox"/> <input checked="" type="checkbox"/> <input checked="" type="checkbox"/> <input checked="" type="checkbox"/> <input checked="" type="checkbox"/> <input type="checkbox"/>
13 - 16	ON	ON	ON <input type="checkbox"/> <input checked="" type="checkbox"/> <input checked="" type="checkbox"/> <input type="checkbox"/> <input type="checkbox"/> <input type="checkbox"/> <input type="checkbox"/> <input type="checkbox"/> OFF <input type="checkbox"/> <input type="checkbox"/> <input type="checkbox"/> <input checked="" type="checkbox"/> <input checked="" type="checkbox"/> <input checked="" type="checkbox"/> <input checked="" type="checkbox"/> <input type="checkbox"/>

Canali AES/EBU	Interruttore 6	Interruttore 5	Posizione
1 - 8	OFF	OFF	ON <input type="checkbox"/> <input type="checkbox"/> <input type="checkbox"/> <input type="checkbox"/> <input type="checkbox"/> <input type="checkbox"/> <input type="checkbox"/> <input type="checkbox"/> OFF <input type="checkbox"/> <input checked="" type="checkbox"/> <input checked="" type="checkbox"/> <input checked="" type="checkbox"/> <input checked="" type="checkbox"/> <input type="checkbox"/> <input type="checkbox"/> <input type="checkbox"/>
9 - 16	OFF	ON	ON <input type="checkbox"/> <input type="checkbox"/> <input checked="" type="checkbox"/> <input checked="" type="checkbox"/> <input type="checkbox"/> <input type="checkbox"/> <input type="checkbox"/> <input type="checkbox"/> OFF <input type="checkbox"/> <input type="checkbox"/> <input type="checkbox"/> <input checked="" type="checkbox"/> <input checked="" type="checkbox"/> <input checked="" type="checkbox"/> <input checked="" type="checkbox"/> <input type="checkbox"/>

## Le impostazioni di Blackmagic Converter Setup

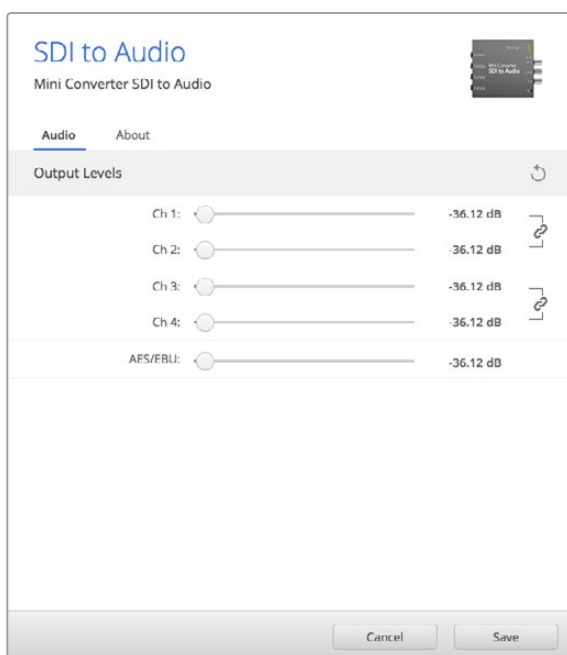
L'utilità Blackmagic Converter Setup consente di cambiare le impostazioni e aggiornare il software del Mini Converter. Tutte le impostazioni disponibili sono contenute nelle tab "Audio" e "About".

La tab "About" è descritta in dettaglio nel capitolo "Cambiare le impostazioni" del manuale.

La tab "Audio" di Mini Converter SDI to Audio contiene le seguenti impostazioni:

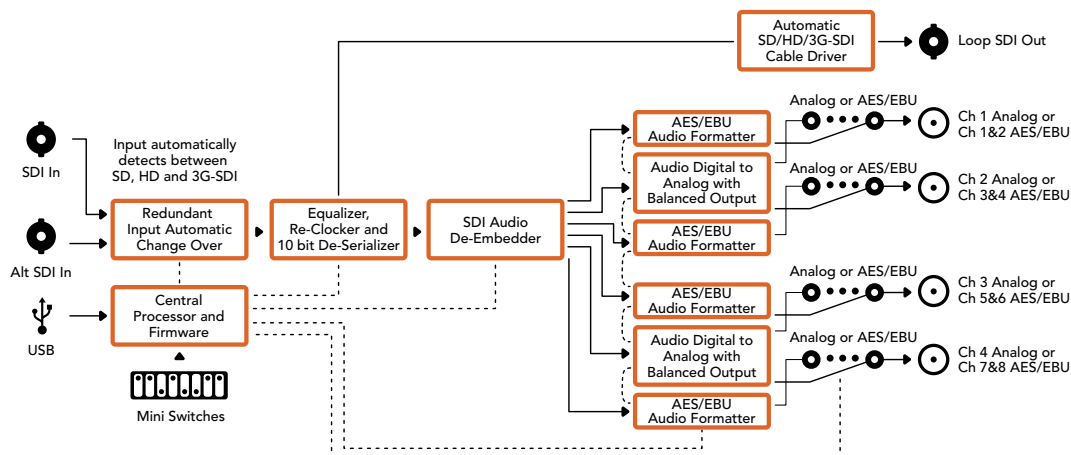
### Il menù "Output Levels"

Questo menù consente di regolare il guadagno dell'uscita audio, singolarmente o per coppie di canali, cliccando sull'icona di collegamento accanto alle barre del cursore. Per resettare i livelli audio a 0 dB clicca sulla freccia circolare a destra del menù "Output Levels".



Accedi alla tab "Audio" per regolare i livelli audio.

## Lo schema di Mini Converter SDI to Audio



## Mini Converter SDI to Audio 4K

Separa 4 canali audio da qualsiasi connessione video SDI e trasmette fino a 4 canali di audio analogico o 8 canali di audio digitale AES/EBU. Indirizza l'audio verso attrezzature come mixer, deck analogici e altoparlanti di test. Consente anche di separare ulteriori canali audio SDI interconnettendo un altro Mini Converter SDI to Audio 4K all'uscita SDI del convertitore.



## Connettori

- 1 CH 1 ANALOG or CH 1 & 2 AES/EBU**  
Connettore jack 1/4" per uscita audio analogico bilanciato (canale 1), o audio digitale AES/EBU (canali 1 e 2).
- 2 CH 2 ANALOG or CH 3 & 4 AES/EBU**  
Connettore jack 1/4" per uscita audio analogico bilanciato (canale 2), o audio digitale AES/EBU (canali 3 e 4).
- 3 CH 3 ANALOG or CH 5 & 6 AES/EBU**  
Connettore jack 1/4" per uscita audio analogico bilanciato (canale 3), o audio digitale AES/EBU (canali 5 e 6).
- 4 CH 4 ANALOG or CH 5 & 6 AES/EBU**  
Connettore jack 1/4" per uscita audio analogico bilanciato (canale 4), o audio digitale AES/EBU (canali 7 e 8).



## Tabella di selezione audio

Canali audio analogico	Interruttore 6	Interruttore 5	Posizione
1 - 4	OFF	OFF	ON <input type="checkbox"/> <input type="checkbox"/> <input type="checkbox"/> <input type="checkbox"/> <input type="checkbox"/> <input type="checkbox"/> <input type="checkbox"/> <input type="checkbox"/> OFF <input type="checkbox"/> <input type="checkbox"/> <input checked="" type="checkbox"/> <input checked="" type="checkbox"/> <input type="checkbox"/> <input type="checkbox"/> <input type="checkbox"/> <input type="checkbox"/> 8 7 6 5 4 3 2 1
5 - 8	OFF	ON	ON <input type="checkbox"/> <input type="checkbox"/> <input checked="" type="checkbox"/> <input checked="" type="checkbox"/> <input type="checkbox"/> <input type="checkbox"/> <input type="checkbox"/> <input type="checkbox"/> OFF <input type="checkbox"/> <input type="checkbox"/> <input checked="" type="checkbox"/> <input checked="" type="checkbox"/> <input type="checkbox"/> <input type="checkbox"/> <input type="checkbox"/> <input type="checkbox"/> 8 7 6 5 4 3 2 1
9 - 12	ON	OFF	ON <input type="checkbox"/> <input checked="" type="checkbox"/> <input checked="" type="checkbox"/> <input type="checkbox"/> <input type="checkbox"/> <input type="checkbox"/> <input type="checkbox"/> <input type="checkbox"/> OFF <input type="checkbox"/> <input type="checkbox"/> <input checked="" type="checkbox"/> <input checked="" type="checkbox"/> <input type="checkbox"/> <input type="checkbox"/> <input type="checkbox"/> <input type="checkbox"/> 8 7 6 5 4 3 2 1
13 - 16	ON	ON	ON <input type="checkbox"/> <input checked="" type="checkbox"/> <input checked="" type="checkbox"/> <input checked="" type="checkbox"/> <input type="checkbox"/> <input type="checkbox"/> <input type="checkbox"/> <input type="checkbox"/> OFF <input type="checkbox"/> <input type="checkbox"/> <input checked="" type="checkbox"/> <input checked="" type="checkbox"/> <input type="checkbox"/> <input type="checkbox"/> <input type="checkbox"/> <input type="checkbox"/> 8 7 6 5 4 3 2 1

Canali AES/EBU	Interruttore 6	Interruttore 5	Posizione
1 - 8	OFF	OFF	ON <input type="checkbox"/> <input type="checkbox"/> <input type="checkbox"/> <input type="checkbox"/> <input type="checkbox"/> <input type="checkbox"/> <input type="checkbox"/> <input type="checkbox"/> OFF <input type="checkbox"/> <input type="checkbox"/> <input checked="" type="checkbox"/> <input checked="" type="checkbox"/> <input type="checkbox"/> <input type="checkbox"/> <input type="checkbox"/> <input type="checkbox"/> 8 7 6 5 4 3 2 1
9 - 16	OFF	ON	ON <input type="checkbox"/> <input type="checkbox"/> <input checked="" type="checkbox"/> <input checked="" type="checkbox"/> <input type="checkbox"/> <input type="checkbox"/> <input type="checkbox"/> <input type="checkbox"/> OFF <input type="checkbox"/> <input type="checkbox"/> <input checked="" type="checkbox"/> <input checked="" type="checkbox"/> <input type="checkbox"/> <input type="checkbox"/> <input type="checkbox"/> <input type="checkbox"/> 8 7 6 5 4 3 2 1

## Le impostazioni di Blackmagic Converter Setup

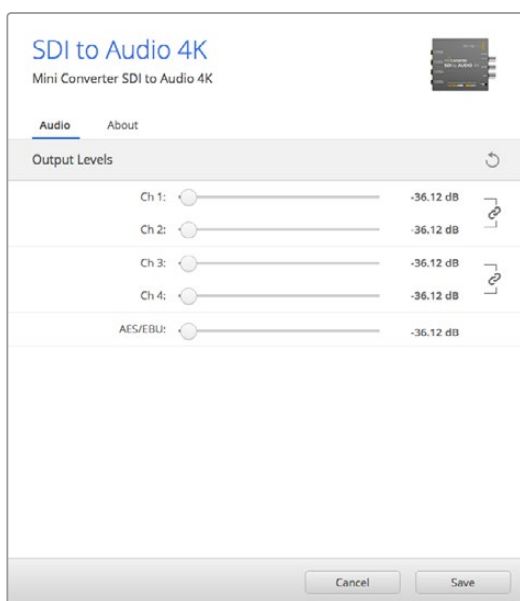
L'utilità Blackmagic Converter Setup consente di cambiare le impostazioni e aggiornare il software del Mini Converter. Tutte le impostazioni disponibili sono contenute nelle tab "Audio" e "About".

La tab "About" è descritta in dettaglio nel capitolo "Cambiare le impostazioni" del manuale.

La tab "Audio" di Mini Converter SDI to Audio 4K contiene le seguenti impostazioni:

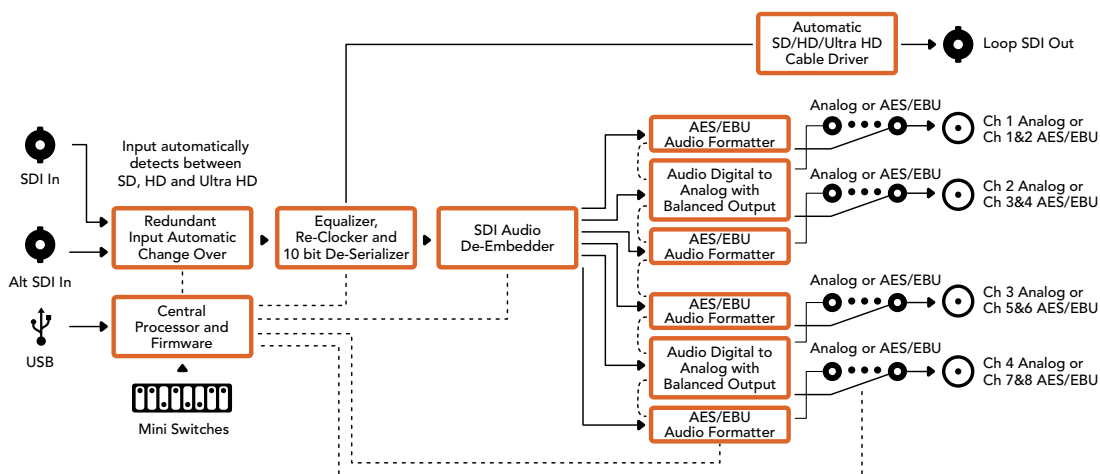
### Il menù "Output Levels"

Questo menù consente di regolare il guadagno dell'uscita audio singolarmente o per coppie di canali, cliccando sull'icona di collegamento accanto alle barre del cursore. Per resettare i livelli audio a 0 dB clicca sulla freccia circolare a destra del menù "Output Levels".



Accedi alla tab "Audio" per regolare i livelli di audio analogico.

## Lo schema di Mini Converter SDI to Audio 4K



## Mini Converter Audio to SDI

Integra 4 canali di audio analogico, oppure 8 canali di audio digitale AES/EBU in qualsiasi connessione video SDI. Questo modello consente di integrare l'audio proveniente da mixer audio e deck analogici alle connessioni video SDI di router e deck. Ulteriori canali audio SDI sono integrabili interconnettendo un altro Mini Converter Audio to SDI all'uscita SDI del convertitore.



## Connettori

- 1 CH 1 ANALOG or CH 1 & 2 AES/EBU**  
 Connettore jack 1/4" per ingresso audio analogico bilanciato (canale 1), o audio digitale AES/EBU (canali 1 e 2).
- 2 CH 2 ANALOG or CH 3 & 4 AES/EBU**  
 Connettore jack 1/4" per ingresso audio analogico bilanciato (canale 2), o audio digitale AES/EBU (canali 3 e 4).
- 3 CH 3 ANALOG or CH 5 & 6 AES/EBU**  
 Connettore jack 1/4" per ingresso audio analogico bilanciato (canale 3), o audio digitale AES/EBU (canali 5 e 6).
- 4 CH 4 ANALOG or CH 7 & 8 AES/EBU**  
 Connettore jack 1/4" per ingresso audio analogico bilanciato (canale 4), o audio digitale AES/EBU (canali 7 e 8).
- 5 Porta USB MINI B**  
 Si connette ai computer Mac OS X o Windows per accedere all'utilità Blackmagic Converter Setup. La connessione USB consente anche di aggiornare il software interno del convertitore.



## 6 SDI OUT

Connettore BNC per uscita video SDI.

## 7 ALT SDI IN

Ingresso SDI ridondante. Se utilizzi entrambi gli ingressi SDI IN e ALT SDI IN, ALT SDI IN subentra se SDI IN si disconnette. La spia "SDI LOCK" lampeggia quando il convertitore passa all'ingresso ridondante.

## 8 SDI IN

Ingresso SDI principale.

## 9 POWER +12V

Ingresso di alimentazione 12V.

## Interruttori

Gli interruttori di Mini Converter Audio to SDI consentono di regolare le seguenti impostazioni:

### Interruttore 8 - Analog Audio, AES/EBU Audio

Posiziona l'interruttore 8 su OFF per selezionare l'audio analogico bilanciato, su ON per l'audio digitale AES/EBU di entrata.

### Interruttore 7 - Sample Rate Conversion, No Sample Rate Conversion

Posiziona l'interruttore 7 su OFF per abilitare la conversione di frequenza di campionamento, su ON per disabilitarla. Per assicurarti che l'audio venga integrato con la frequenza di campionamento corretta, questo interruttore va impostato quasi sempre su OFF.

Posiziona l'interruttore 7 su OFF per abilitare la conversione di frequenza di campionamento dell'audio analogico o AES/EBU e integrare l'audio all'uscita SDI ad una frequenza di 48 kHz. Posiziona l'interruttore 7 su ON per disabilitare la conversione di frequenza di campionamento e trasmettere l'audio alla frequenza originale dell'ingresso audio.

### Interruttore 6 - Audio Group Bit 1

Gli interruttori 6 e 5 sono raggruppati per ottenere 4 combinazioni ON/OFF. Con quattro combinazioni diverse è possibile integrare fino a 4 canali di audio analogico oppure 8 canali AES/EBU nell'uscita SDI.

### Interruttore 5 - Audio Group Bit 0

Vedi Interruttore 6.

### Tabella di selezione audio

Canali audio analogico	Interruttore 6	Interruttore 5	Posizione
1 - 4	OFF	OFF	
5 - 8	OFF	ON	
9 - 12	ON	OFF	
13 - 16	ON	ON	

Canali AES/EBU	Interruttore 6	Interruttore 5	Posizione
1 - 8	OFF	OFF	
9 - 16	OFF	ON	

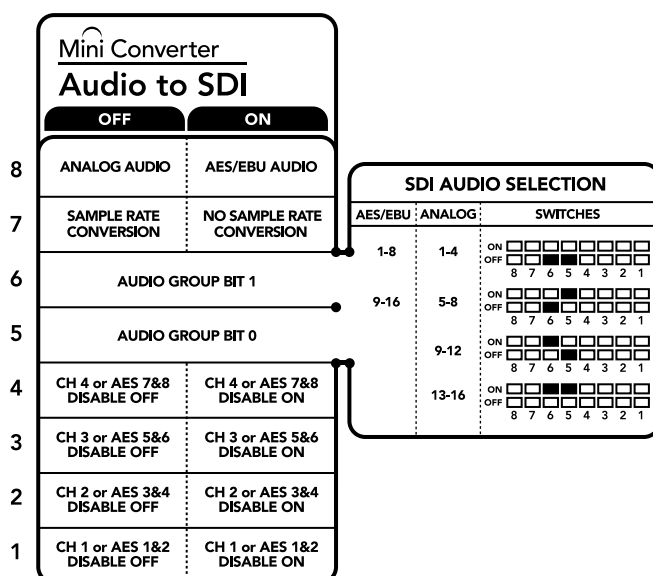
## Integrare o disabilitare i canali

Una volta selezionati i canali audio, usa gli interruttori 4, 3, 2 e 1 per scegliere i canali che desideri integrare o disabilitare. L'opzione di disabilitazione aggira la sovrascrittura sui canali che desideri mantenere nel segnale SDI.

Per esempio, disabilita il canale 1 di audio analogico o i canali 1 e 2 di AES/EBU posizionando l'interruttore 1 su ON, oppure integrali posizionando l'interruttore su OFF.

### Tabella di riferimento per integrare o disabilitare i canali

Interruttore	Posizione	Canali audio
4	ON	Disabilita il canale 4 analogico, e i canali 7 e 8 AES/EBU
	OFF	Integra il canale 4 analogico, e i canali 7 e 8 AES/EBU
3	ON	Disabilita il canale 3 analogico, e i canali 5 e 6 AES/EBU
	OFF	Integra il canale 3 analogico, e i canali 5 e 6 AES/EBU
2	ON	Disabilita il canale 2 analogico, e i canali 3 e 4 AES/EBU
	OFF	Integra il canale 2 analogico, e i canali 3 e 4 AES/EBU
1	ON	Disabilita il canale 1 analogico, e i canali 1 e 2 AES/EBU
	OFF	Integra il canale 1 analogico, e i canali 1 e 2 AES/EBU



Lo schema alla base del dispositivo mostra tutte le combinazioni delle impostazioni di conversione.

### Esempio di configurazione

Prova diverse combinazioni cambiando la posizione degli interruttori. Seleziona i canali 1 e 4 di audio analogico posizionando gli interruttori 8, 6 e 5 su OFF.

## Le impostazioni di Blackmagic Converter Setup

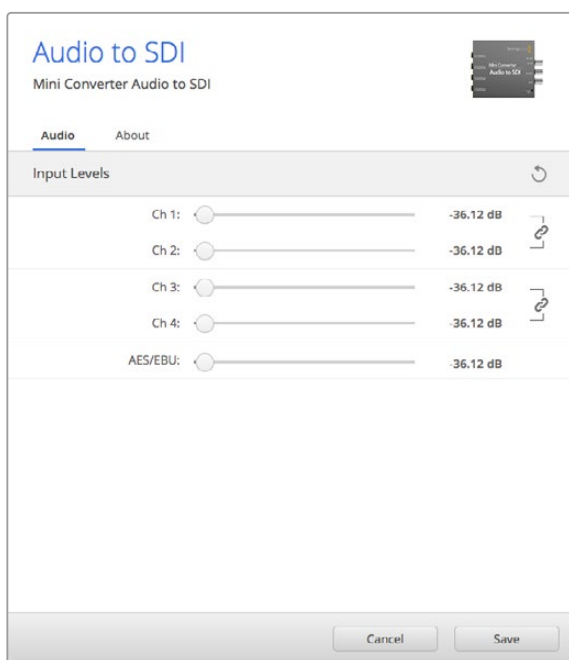
L'utilità Blackmagic Converter Setup consente di cambiare le impostazioni e aggiornare il software del Mini Converter. Tutte le impostazioni disponibili sono contenute nelle tab "Audio" e "About".

La tab "About" è descritta in dettaglio nel capitolo "Cambiare le impostazioni" del manuale.

La tab "Audio" di Mini Converter Audio to SDI contiene le seguenti impostazioni:

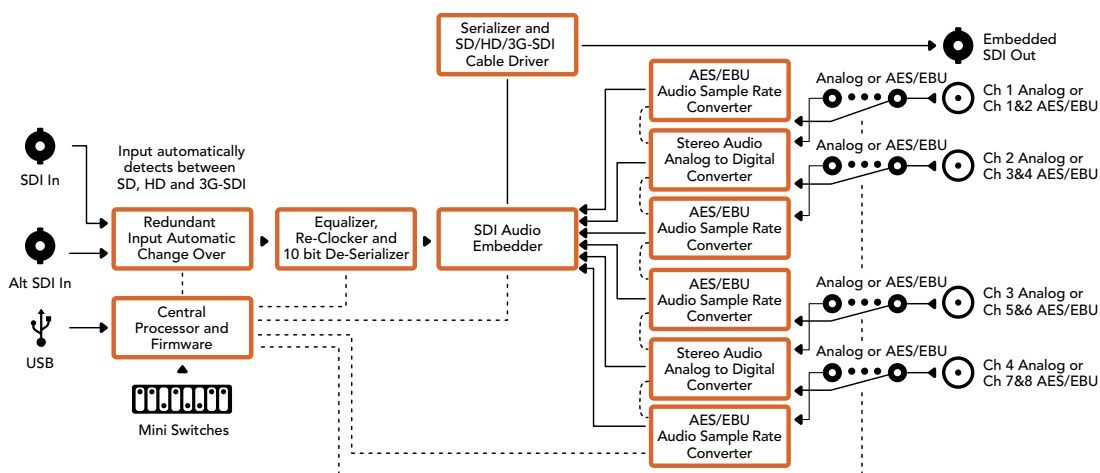
### Il menù "Input levels"

Questo menù consente di regolare il guadagno dell'ingresso audio singolarmente o per coppie di canali, cliccando sull'icona di collegamento accanto alle barre del cursore. Per resettare i livelli audio a 0 dB clicca sulla freccia circolare a destra del menù "Output Levels".



Accedi alla tab "Audio" per regolare i livelli di audio analogico.

### Lo schema di Mini Converter Audio to SDI



## Mini Converter Audio to SDI 4K

Integra 4 canali di audio analogico, oppure 8 canali di audio digitale AES/EBU in qualsiasi connessione video SDI. Questo modello consente di integrare l'audio proveniente da mixer audio e deck analogici alle connessioni video SDI di router e deck. Ulteriori canali audio SDI sono integrabili interconnettendo un altro Mini Converter Audio to SDI 4K all'uscita SDI del convertitore.



### Connettori

- 1 CH 1 ANALOG or CH 1 & 2 AES/EBU**  
Connettore jack 1/4" per ingresso audio analogico bilanciato (canale 1), o audio digitale AES/EBU (canali 1 e 2).
- 2 CH 2 ANALOG or CH 3 & 4 AES/EBU**  
Connettore jack 1/4" per ingresso audio analogico bilanciato (canale 2), o audio digitale AES/EBU (canali 3 e 4).
- 3 CH 3 ANALOG or CH 5 & 6 AES/EBU**  
Connettore jack 1/4" per ingresso audio analogico bilanciato (canale 3), o audio digitale AES/EBU (canali 5 e 6).
- 4 CH 4 ANALOG or CH 7 & 8 AES/EBU**  
Connettore jack 1/4" per ingresso audio analogico bilanciato (canale 4), o audio digitale AES/EBU (canali 7 e 8).
- 5 Porta USB MINI B**  
Si connette ai computer Mac OS X o Windows per accedere all'utilità Blackmagic Converter Setup. La connessione USB consente anche di aggiornare il software interno del convertitore.
- 6 SDI OUT**  
Connettore BNC per uscita video SDI.
- 7 ALT SDI IN**  
Ingresso SDI ridondante. Se utilizzi entrambi gli ingressi SDI IN e ALT SDI IN, ALT SDI IN subentra se SDI IN si disconnette. La spia "SDI LOCK" lampeggia quando il convertitore passa all'ingresso ridondante.
- 8 SDI IN**  
Ingresso SDI principale.
- 9 POWER +12V**  
Ingresso di alimentazione 12V.

## Interruttori

Gli interruttori di Mini Converter Audio to SDI 4K consentono di impostare le seguenti impostazioni:

### Interruttore 8 - Analog Audio, AES/EBU Audio

Posiziona l'interruttore 8 su OFF per selezionare l'audio analogico bilanciato, su ON per l'audio digitale AES/EBU di entrata.

### Interruttore 7 - Sample Rate Conversion, No Sample Rate Conversion

Posiziona l'interruttore 7 su OFF per abilitare la conversione di frequenza di campionamento, su ON per disabilitarla. Per assicurarti che l'audio venga integrato con la frequenza di campionamento corretta, questo interruttore va impostato quasi sempre su OFF.

Posiziona l'interruttore 7 su OFF per abilitare la conversione di frequenza di campionamento dell'audio analogico o AES/EBU e integrare l'audio all'uscita SDI ad una frequenza di 48 kHz. Posiziona l'interruttore 7 su ON per disabilitare la conversione di frequenza di campionamento e trasmettere l'audio alla frequenza originale dell'ingresso audio.

### Interruttore 6 - Audio Group Bit 1

Gli interruttori 6 e 5 sono raggruppati per ottenere 4 combinazioni ON/OFF. Con quattro combinazioni diverse è possibile integrare fino a 4 canali di audio analogico oppure 8 canali AES/EBU nell'uscita SDI.

### Interruttore 5 - Audio Group Bit 0

Vedi Interruttore 6.

### Tabella di riferimento per la selezione audio

Canali audio analogico	Interruttore 6	Interruttore 5	Posizione
1 - 4	OFF	OFF	ON <input type="checkbox"/> <input type="checkbox"/> <input type="checkbox"/> <input type="checkbox"/> <input type="checkbox"/> <input type="checkbox"/> <input type="checkbox"/> <input type="checkbox"/> OFF <input type="checkbox"/> <input type="checkbox"/> <input checked="" type="checkbox"/> <input checked="" type="checkbox"/> <input type="checkbox"/> <input type="checkbox"/> <input type="checkbox"/> <input type="checkbox"/> 8 7 6 5 4 3 2 1
5 - 8	OFF	ON	ON <input type="checkbox"/> <input type="checkbox"/> <input checked="" type="checkbox"/> <input checked="" type="checkbox"/> <input type="checkbox"/> <input type="checkbox"/> <input type="checkbox"/> <input type="checkbox"/> OFF <input type="checkbox"/> <input type="checkbox"/> <input type="checkbox"/> <input type="checkbox"/> <input type="checkbox"/> <input type="checkbox"/> <input type="checkbox"/> <input type="checkbox"/> 8 7 6 5 4 3 2 1
9 - 12	ON	OFF	ON <input type="checkbox"/> <input checked="" type="checkbox"/> <input type="checkbox"/> <input type="checkbox"/> <input type="checkbox"/> <input type="checkbox"/> <input type="checkbox"/> <input type="checkbox"/> OFF <input type="checkbox"/> <input type="checkbox"/> <input checked="" type="checkbox"/> <input checked="" type="checkbox"/> <input type="checkbox"/> <input type="checkbox"/> <input type="checkbox"/> <input type="checkbox"/> 8 7 6 5 4 3 2 1
13 - 16	ON	ON	ON <input type="checkbox"/> <input checked="" type="checkbox"/> <input checked="" type="checkbox"/> <input type="checkbox"/> <input type="checkbox"/> <input type="checkbox"/> <input type="checkbox"/> <input type="checkbox"/> OFF <input type="checkbox"/> <input type="checkbox"/> <input type="checkbox"/> <input checked="" type="checkbox"/> <input checked="" type="checkbox"/> <input type="checkbox"/> <input type="checkbox"/> <input type="checkbox"/> 8 7 6 5 4 3 2 1
Canali AES/EBU	Interruttore 6	Interruttore 5	Posizione
1 - 8	OFF	OFF	ON <input type="checkbox"/> <input type="checkbox"/> <input type="checkbox"/> <input type="checkbox"/> <input type="checkbox"/> <input type="checkbox"/> <input type="checkbox"/> <input type="checkbox"/> OFF <input type="checkbox"/> <input type="checkbox"/> <input checked="" type="checkbox"/> <input checked="" type="checkbox"/> <input type="checkbox"/> <input type="checkbox"/> <input type="checkbox"/> <input type="checkbox"/> 8 7 6 5 4 3 2 1
9 - 16	OFF	ON	ON <input type="checkbox"/> <input type="checkbox"/> <input checked="" type="checkbox"/> <input checked="" type="checkbox"/> <input type="checkbox"/> <input type="checkbox"/> <input type="checkbox"/> <input type="checkbox"/> OFF <input type="checkbox"/> <input type="checkbox"/> <input type="checkbox"/> <input checked="" type="checkbox"/> <input checked="" type="checkbox"/> <input type="checkbox"/> <input type="checkbox"/> <input type="checkbox"/> 8 7 6 5 4 3 2 1

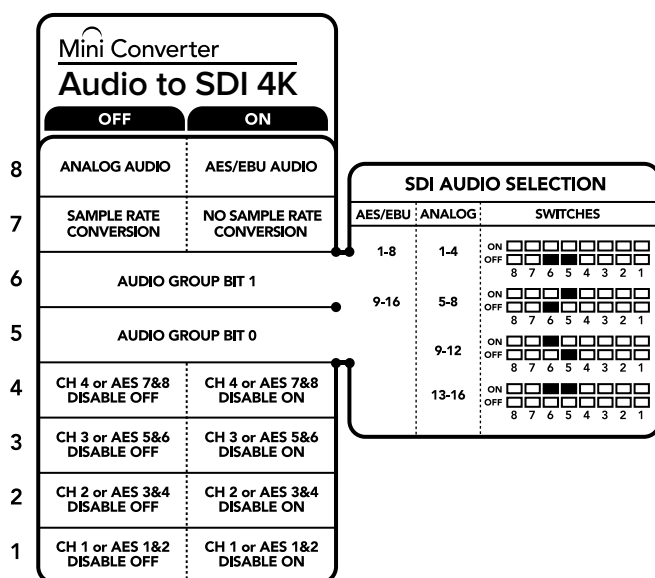
## Integrare o disabilitare i canali

Una volta selezionati i canali audio, usa gli interruttori 4, 3, 2 e 1 per scegliere i canali che desideri integrare o disabilitare. L'opzione di disabilitazione aggira la sovrascrittura sui canali che desideri mantenere nel segnale SDI.

Per esempio, disabilita il canale 1 di audio analogico o i canali 1 e 2 di AES/EBU posizionando l'interruttore 1 su ON, oppure integrarli posizionando l'interruttore su OFF.

## Tabella di riferimento per integrare o disabilitare i canali

Interruttore	Posizione	Canali audio
4	ON	Disabilita il canale 4 analogico, e i canali 7 e 8 AES/EBU
	OFF	Integra il canale 4 analogico, e i canali 7 e 8 AES/EBU
3	ON	Disabilita il canale 3 analogico, e i canali 5 e 6 AES/EBU
	OFF	Integra il canale 3 analogico, e i canali 5 e 6 AES/EBU
2	ON	Disabilita il canale 2 analogico, e i canali 3 e 4 AES/EBU
	OFF	Integra il canale 2 analogico, e i canali 3 e 4 AES/EBU
1	ON	Disabilita il canale 1 analogico, e i canali 1 e 2 AES/EBU
	OFF	Integra il canale 1 analogico, e i canali 1 e 2 AES/EBU



Lo schema alla base del dispositivo mostra tutte le combinazioni delle impostazioni di conversione.

## Esempio di configurazione

Prova diverse combinazioni cambiando la posizione degli interruttori. Seleziona i canali 1 e 4 di audio analogico posizionando gli interruttori 8, 6 e 5 su OFF.

## Le impostazioni di Blackmagic Converter Setup

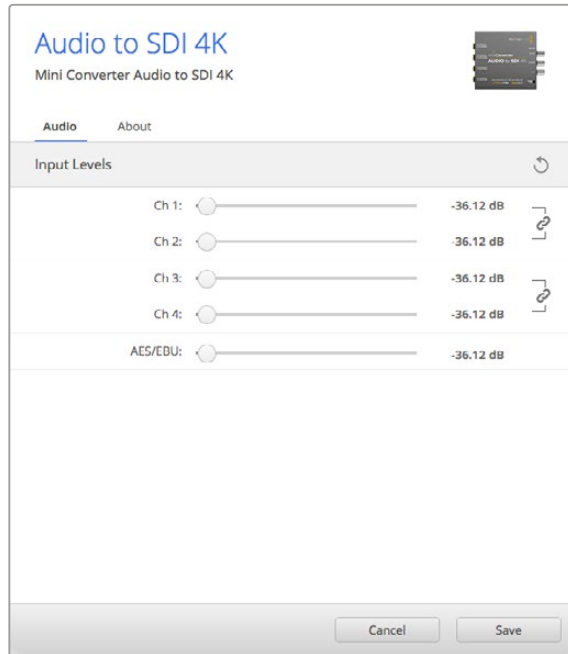
L'utilità Blackmagic Converter Setup consente di cambiare le impostazioni e aggiornare il software del Mini Converter. Tutte le impostazioni disponibili sono contenute nelle tab "Audio" e "About".

La tab "About" è descritta in dettaglio nel capitolo "Cambiare le impostazioni" del manuale.

La tab "Audio" di Mini Converter Audio to SDI 4K contiene le seguenti impostazioni:

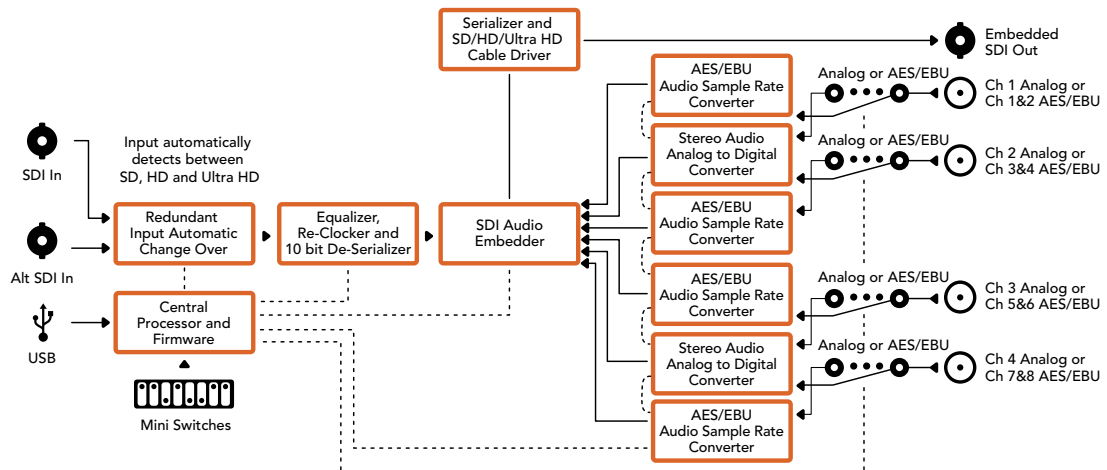
## Il menù "Input levels"

Questo menù consente di regolare il guadagno dell'ingresso audio singolarmente o per coppie di canali, cliccando sull'icona di collegamento accanto alle barre del cursore. Per resettare i livelli audio a 0 dB clicca sulla freccia circolare in alto a destra del menù "Output Levels".



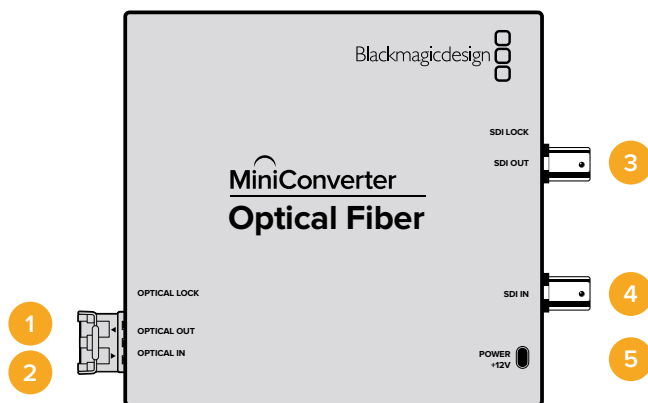
Accedi alla tab "Audio" per regolare i livelli di audio analogico.

## Lo schema di Mini Converter Audio to SDI 4K



## Mini Converter Optical Fiber

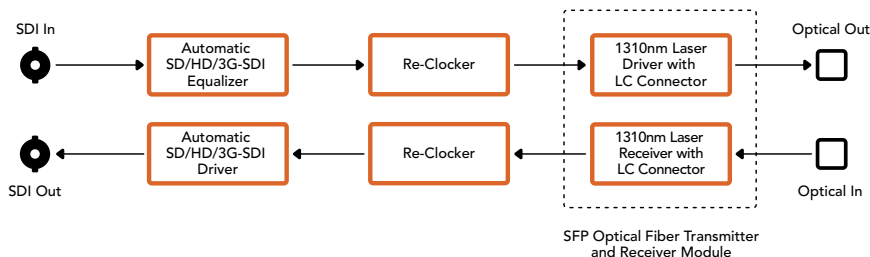
Converte i segnali SDI in fibra ottica e viceversa allo stesso tempo e commuta automaticamente tra qualsiasi standard video SD/HD/3G-SDI. Le direzioni di conversione sono indipendenti. Questo modello consente di inviare e ricevere segnali SDI su distanze più lunghe rispetto a quelle coperte dai tradizionali cavi SDI. Infatti utilizzando la fibra ottica è possibile inviare video SD fino a 45 km invece di 1 km con i cavi SDI in rame, e il 3G-SDI raggiunge i 25 Km!



## Connettori

- 1 OPTICAL OUT**  
Uscita per fibra ottica con connettore LC, compatibile con cavo per fibra ottica a modalità singola.
- 2 OPTICAL IN**  
Ingresso per fibra ottica con connettore LC, compatibile con cavo per fibra ottica a modalità singola.
- 3 3G-SDI OUT**  
Connettore BNC per uscita video SDI per la connessione ai tradizionali dispositivi SDI.
- 4 3G-SDI IN**  
Connettore BNC per ingresso video SDI per la connessione ai tradizionali dispositivi SDI.
- 5 POWER +12V**  
Ingresso di alimentazione 12V.

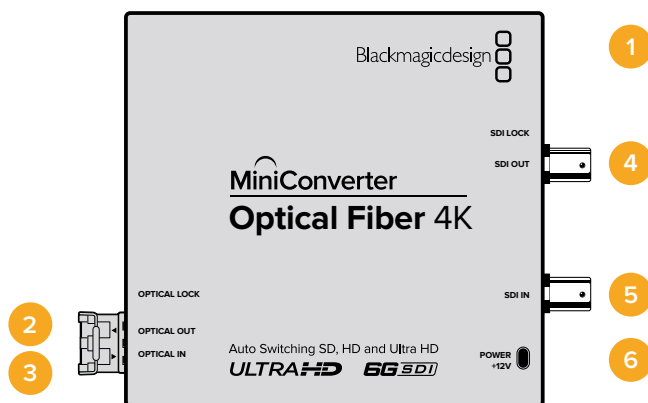
## Lo schema di Mini Converter Optical Fiber





## Mini Converter Optical Fiber 4K

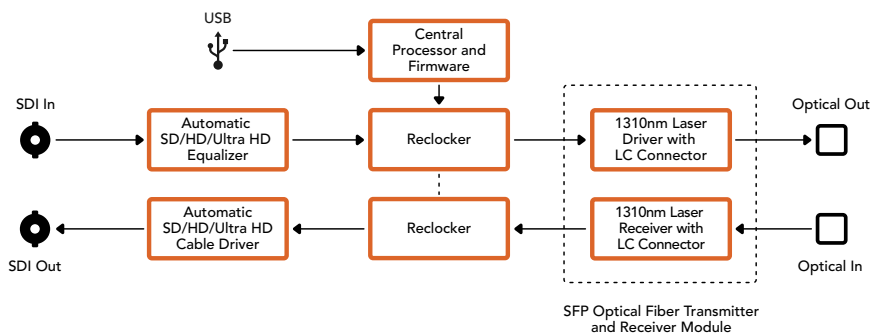
Converte SD/HD e 6G-SDI single link in fibra ottica e viceversa allo stesso tempo e commuta automaticamente tra qualsiasi standard video SD/HD/3G/6G SDI. Le direzioni di conversione sono indipendenti. Questo modello consente di inviare e ricevere segnali SDI su distanze più lunghe rispetto a quelle coperte dai tradizionali cavi SDI. Infatti utilizzando la fibra ottica è possibile inviare video SD fino a 45 km invece di 1 km con i cavi SDI in rame, e il 6G-SDI raggiunge i 12 Km!



## Connettori

- 1 Porta USB MINI B**  
Si connette al convertitore per aggiornare il software interno del convertitore.
- 2 OPTICAL OUT**  
Uscita per fibra ottica con connettore LC, compatibile con cavo per fibra ottica a modalità singola.
- 3 OPTICAL IN**  
Ingresso per fibra ottica con connettore LC, compatibile con cavo per fibra ottica a modalità singola.
- 4 SDI OUT**  
Connettore BNC per uscita video SDI per la connessione ai tradizionali dispositivi SDI.
- 5 SDI IN**  
Connettore BNC per ingresso video SDI per la connessione ai tradizionali dispositivi SDI.
- 6 POWER +12V**  
Ingresso di alimentazione 12V.

## Lo schema di Mini Converter Optical Fiber 4K



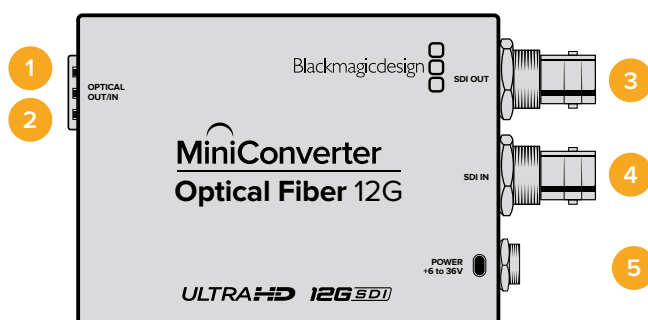
## Mini Converter Optical Fiber 12G

Questo modello converte video SD e HD fino al 12G-SDI in fibra ottica e viceversa contemporaneamente.

La porta SFP consente la connessione di moduli SFP in fibra ottica compatibili con video 3G, 6G, o 12G-SDI.

Il convertitore rileva automaticamente il formato di ingresso e fa sì che il formato di uscita vi si uniformi. Le direzioni di conversione sono completamente indipendenti.

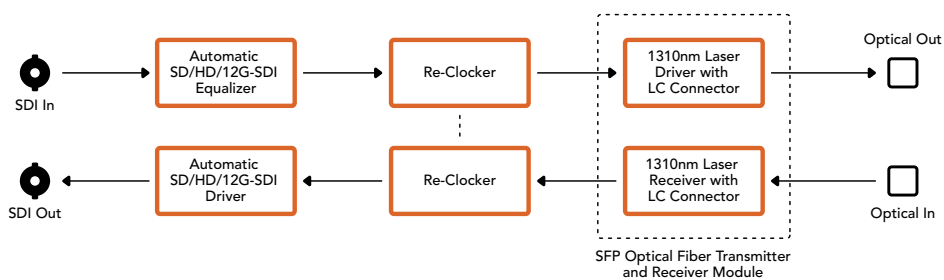
Questo modello è utile per inviare e ricevere segnali SDI su distanze più grandi di quelle coperte dai tradizionali cavi SDI. Infatti utilizzando la fibra ottica è possibile inviare video SD fino a 45 km invece di 1 km con i cavi SDI in rame, e video 12G-SDI fino a 6 km.



## Connettori

- 1 OPTICAL OUT**  
Uscita per fibra ottica, compatibile con cavo monomodale con connettore LC.
- 2 OPTICAL IN**  
Ingresso per fibra ottica compatibile con cavo monomodale con connettore LC.
- 3 SDI OUT**  
Connettore BNC per uscita video SDI. Si connette ai dispositivi SDI.
- 4 SDI IN**  
Connettore BNC per ingresso video SDI. Si connette ai dispositivi SDI.
- 5 POWER +6 to 36V**  
Ingresso di alimentazione 6V – 36V. Il cavo si avvita saldamente al connettore sull'unità per evitare la disconnessione accidentale.

## Lo schema di Mini Converter Optical Fiber 12G

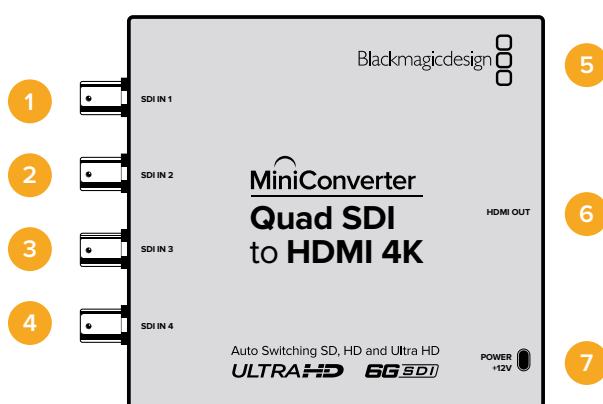


## Mini Converter Quad SDI to HDMI 4K

Consente di connettere single link, dual link e quad link SDI in Ultra HD agli ultimi proiettori e televisori Ultra HD tramite un solo cavo HDMI. La lista qui sotto riporta gli ingressi convertibili in HDMI:

- SD SDI
- HD-SDI
- 3G-SDI single link
- 6G-SDI single link
- HD-SDI dual link
- 3G-SDI Ultra HD dual link
- HD-SDI Ultra HD quad link

Se l'uscita HDMI rileva un monitor o una TV HD, il segnale viene automaticamente convertito in minore risoluzione. Usa gli ingressi 1 e 2 solo con un segnale dual link valido.



## Connettori

Ogni ingresso SDI è compatibile con i seguenti formati:

- 1 SDI IN 1**
  - SD/HD-SDI
  - 3G-SDI single link
  - 6G-SDI single link
  - HD-SDI dual link canale A
  - 3G-SDI Ultra HD dual link canale A
  - HD-SDI Ultra HD quad link canale A
- 2 SDI IN 2**
  - HD-SDI dual link canale B
  - 3G-SDI Ultra HD dual link canale B
  - HD-SDI Ultra HD quad link canale B
- 3 SDI IN 3**
  - HD-SDI Ultra HD quad link canale C
- 4 SDI IN 4**
  - HD-SDI Ultra HD quad link canale D

### 5 Porta USB MINI B

Si connette ai computer Mac OS X o Windows per accedere all'utilità Blackmagic Converter Setup. La connessione USB consente anche di aggiornare il software interno del convertitore.

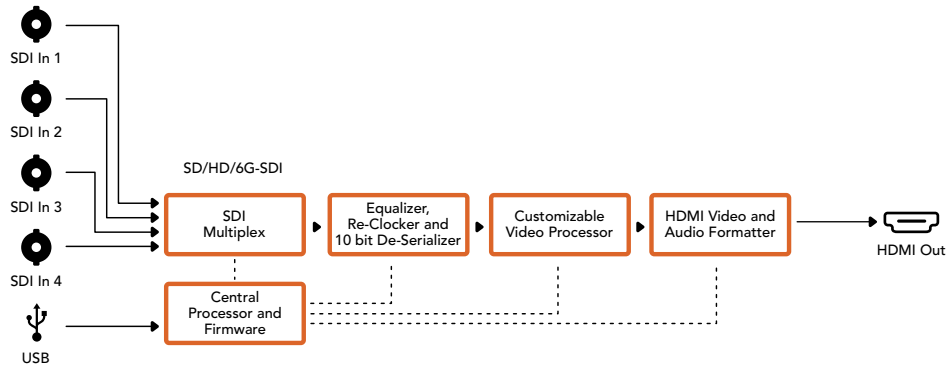
## 6 HDMI

HDMI tipo A per uscita video.

## 7 POWER +12V

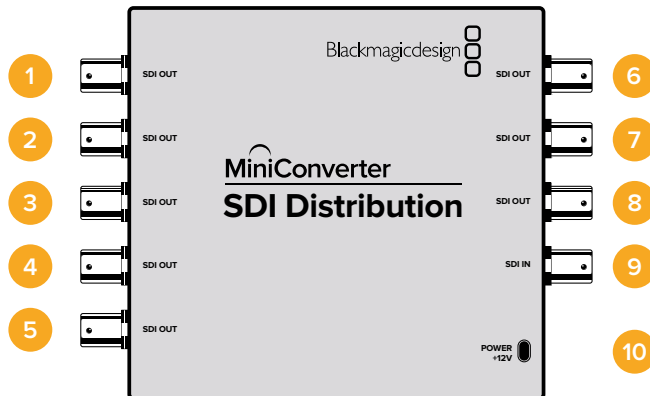
Ingresso di alimentazione 12V.

Lo schema di Mini Converter Quad SDI to HDMI 4K



## Mini Converter SDI Distribution

Trasmette contemporaneamente il segnale SDI a 8 dispositivi SDI, tra cui deck, monitor e switcher. Se l'ingresso video alterna i formati SD SDI, HD-SDI e 3G-SDI, Mini Converter SDI Distribution commuta opportunamente le 8 uscite con reclocking, e supporta i formati ASI, dati ausiliari e audio integrato.



## Connettori

### 1-8 SDI OUT

Connettori BNC per uscite video SDI.

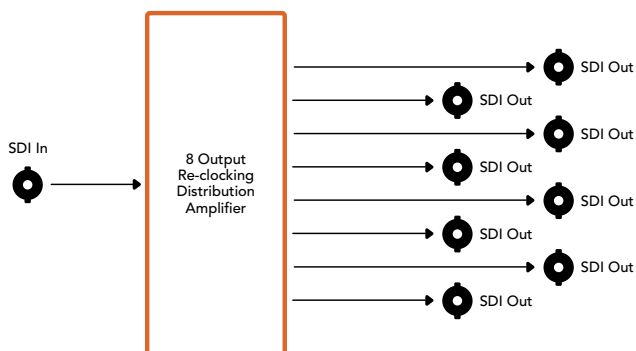
### 9 SDI IN

Ingresso SDI.

### 10 POWER +12V

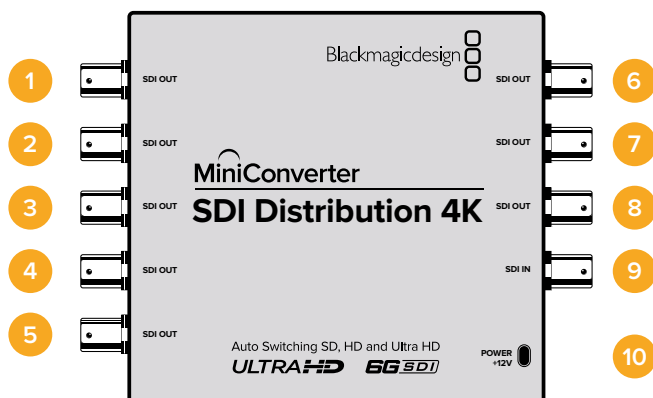
Ingresso di alimentazione 12V.

## Lo schema di Mini Converter SDI Distribution



## Mini Converter SDI Distribution 4K

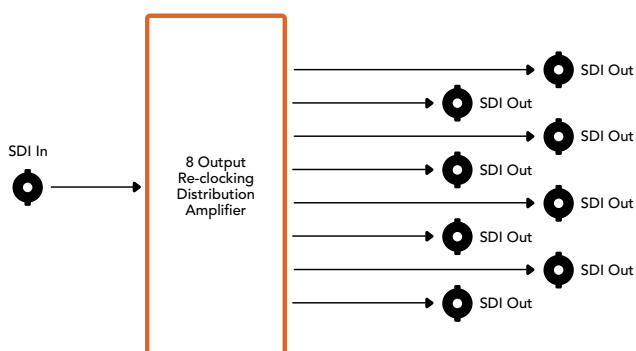
Trasmette contemporaneamente il segnale SDI a 8 dispositivi SDI, tra cui deck, monitor e switcher. Se l'ingresso video alterna i formati SD SD/HD/3G/6G-SDI, Mini Converter SDI Distribution 4K commuta opportunamente le 8 uscite con reclocking, e supporta i formati ASI, dati ausiliari e audio integrato.



## Connettori

- 1-8 SDI OUT**  
Connettori BNC per uscite video SDI.
- 9 SDI IN**  
Ingresso SDI.
- 10 POWER +12V**  
Ingresso di alimentazione 12V.

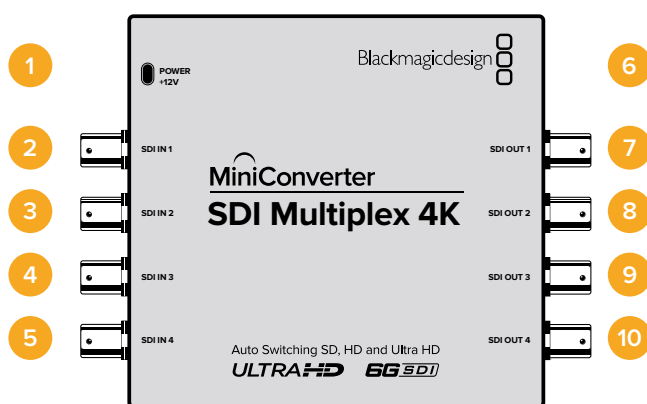
## Lo schema di Mini Converter SDI Distribution 4K



## Mini Converter SDI Multiplex 4K

Questo modello esegue le conversioni seguenti:

- Distribuisce un segnale SD/HD e 6G-SDI alle 4 uscite.
- Distribuisce un segnale HD-SDI dual link alle 4 uscite 3G-SDI.
- 3G-SDI single link in HD-SDI dual link. L'uscita dual link viene distribuita a entrambe le coppie di connettori di uscita.
- 6G-SDI single link in 3G-SDI dual link o 1.5G SDI quad link.
- HD-SDI Ultra HD quad link in 6G-SDI single link o 3G-SDI Ultra HD dual link, consentendo di connettere le fonti Ultra HD ai display Ultra HD dual link. L'uscita dual link viene distribuita a entrambe le coppie di connettori di uscita.
- 3G-SDI dual link in 6G-SDI single link
- 3G-SDI Ultra HD dual link in HD-SDI Ultra HD quad link, per connettere gli ultimi dispositivi Ultra HD dual link ai display Ultra HD quad link esistenti.



## Connettori

- 1 Power +12V**
  - Ingresso di alimentazione 12V.
  - Ogni ingresso SDI è compatibile con i seguenti formati:
- 2 SDI IN 1**
  - SD/HD-SDI
  - 3G-SDI single link
  - 6G-SDI single link
  - HD-SDI dual link canale A
  - 3G-SDI Ultra HD dual link canale A
  - HD-SDI Ultra HD quad link canale A
- 3 SDI IN 2**
  - HD-SDI dual link canale B
  - 3G-SDI Ultra HD dual link canale B
  - HD-SDI Ultra HD quad link canale B
- 4 SDI IN 3**
  - HD-SDI Ultra HD quad link canale C
- 5 SDI IN 4**
  - HD-SDI Ultra HD quad link canale D

## 6 Porta USB MINI B

Si connette ai computer Mac OS X o Windows per accedere all'utilità Blackmagic Converter Setup. La connessione USB consente anche di aggiornare il software interno del convertitore.

Ogni ingresso SDI è compatibile con i seguenti formati:

## 7 SDI OUT 1

- SD/HD-SDI
- 3G-SDI single link
- 6G-SDI single link
- HD-SDI dual link canale A
- 3G-SDI Ultra HD dual link canale A
- HD-SDI Ultra HD quad link canale A

## 8 SDI OUT 2

- SD/HD-SDI
- 3G-SDI single link
- 6G-SDI single link
- HD-SDI dual link canale B
- 3G-SDI Ultra HD dual link canale B
- HD-SDI Ultra HD quad link canale B

## 9 SDI OUT 3

- SD/HD-SDI
- 3G-SDI single link
- 6G-SDI single link
- HD-SDI dual link canale A
- 3G-SDI Ultra HD dual link canale A
- HD-SDI Ultra HD quad link canale C

## 10 SDI OUT 4

- SD/HD-SDI
- 3G-SDI single link
- 6G-SDI single link
- HD-SDI dual link canale B
- 3G-SDI Ultra HD dual link canale B
- HD-SDI Ultra HD quad link canale D

## Interruttori

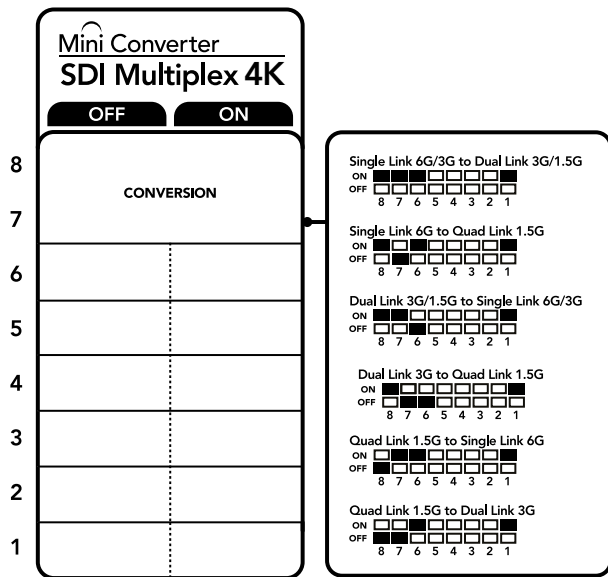
Gli interruttori di Mini Converter SDI Multiplex 4K consentono di impostare le seguenti impostazioni:

### Interruttori 8, 7 e 6 - Format Conversion

Usa gli interruttori 8, 7 e 6 per convertire HD-SDI dual link in HD-SDI single link, oppure Ultra HD quad link in Ultra HD single link.

### Interruttore 1 - Processing ON/OFF

Posiziona l'interruttore 1 su OFF per utilizzare Mini Converter SDI Multiplex 4K come amplificatore di distribuzione SD/HD/6G-SDI a 4 uscite.



Lo schema alla base del dispositivo mostra tutte le combinazioni delle impostazioni di conversione.

### Esempio di configurazione

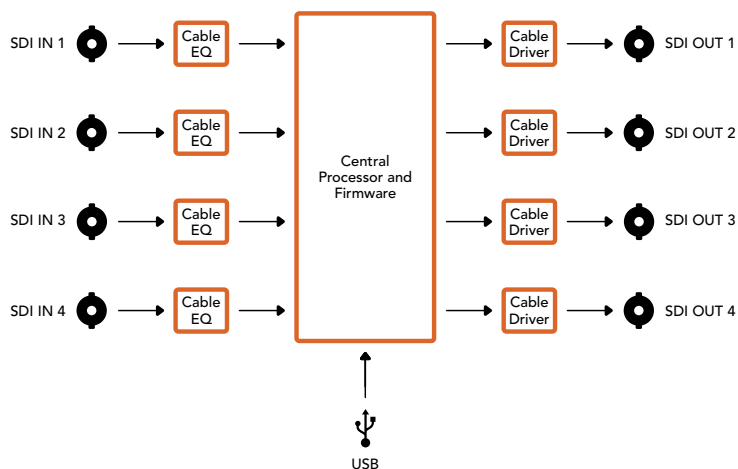
Posiziona l'interruttore 8 su ON e l'interruttore 7 su OFF per convertire Ultra HD quad link in Ultra HD dual link.

### Tabella delle connessioni SDI

Conversione	Interruttore 8	Interruttore 7	Interruttore 6	Interruttore 1	Posizione
6G/3G-SDI single link in 3G/1.5G-SDI dual link	ON	ON	ON	ON	ON <input checked="" type="checkbox"/> <input checked="" type="checkbox"/> <input checked="" type="checkbox"/> <input checked="" type="checkbox"/> <input checked="" type="checkbox"/> <input checked="" type="checkbox"/> <input checked="" type="checkbox"/> <input checked="" type="checkbox"/> OFF <input type="checkbox"/> <input type="checkbox"/> <input type="checkbox"/> <input type="checkbox"/> <input type="checkbox"/> <input type="checkbox"/> <input type="checkbox"/> <input type="checkbox"/> 8 7 6 5 4 3 2 1
6G-SDI single link in 1.5G-SDI quad link	ON	OFF	ON	ON	ON <input checked="" type="checkbox"/> <input checked="" type="checkbox"/> <input checked="" type="checkbox"/> <input checked="" type="checkbox"/> <input checked="" type="checkbox"/> <input checked="" type="checkbox"/> <input checked="" type="checkbox"/> <input checked="" type="checkbox"/> OFF <input type="checkbox"/> <input type="checkbox"/> <input type="checkbox"/> <input type="checkbox"/> <input type="checkbox"/> <input type="checkbox"/> <input type="checkbox"/> <input type="checkbox"/> 8 7 6 5 4 3 2 1
3G/1.5G-SDI dual link in 6G/3G-SDI single link	ON	ON	OFF	ON	ON <input checked="" type="checkbox"/> <input checked="" type="checkbox"/> <input checked="" type="checkbox"/> <input checked="" type="checkbox"/> <input checked="" type="checkbox"/> <input checked="" type="checkbox"/> <input checked="" type="checkbox"/> <input checked="" type="checkbox"/> OFF <input type="checkbox"/> <input type="checkbox"/> <input type="checkbox"/> <input type="checkbox"/> <input type="checkbox"/> <input type="checkbox"/> <input type="checkbox"/> <input type="checkbox"/> 8 7 6 5 4 3 2 1
3G-SDI dual link in 1.5G-SDI quad link	ON	OFF	OFF	ON	ON <input checked="" type="checkbox"/> <input checked="" type="checkbox"/> <input checked="" type="checkbox"/> <input checked="" type="checkbox"/> <input checked="" type="checkbox"/> <input checked="" type="checkbox"/> <input checked="" type="checkbox"/> <input checked="" type="checkbox"/> OFF <input type="checkbox"/> <input type="checkbox"/> <input type="checkbox"/> <input type="checkbox"/> <input type="checkbox"/> <input type="checkbox"/> <input type="checkbox"/> <input type="checkbox"/> 8 7 6 5 4 3 2 1
1.5G-SDI quad link in 6G-SDI single link	OFF	ON	ON	ON	ON <input type="checkbox"/> <input checked="" type="checkbox"/> <input checked="" type="checkbox"/> <input checked="" type="checkbox"/> <input checked="" type="checkbox"/> <input checked="" type="checkbox"/> <input checked="" type="checkbox"/> <input checked="" type="checkbox"/> OFF <input checked="" type="checkbox"/> <input checked="" type="checkbox"/> <input checked="" type="checkbox"/> <input checked="" type="checkbox"/> <input checked="" type="checkbox"/> <input checked="" type="checkbox"/> <input checked="" type="checkbox"/> 8 7 6 5 4 3 2 1
1.5G-SDI quad link in 3G-SDI dual link	OFF	OFF	ON	ON	ON <input type="checkbox"/> <input checked="" type="checkbox"/> <input checked="" type="checkbox"/> <input checked="" type="checkbox"/> <input checked="" type="checkbox"/> <input checked="" type="checkbox"/> <input checked="" type="checkbox"/> <input checked="" type="checkbox"/> OFF <input checked="" type="checkbox"/> <input checked="" type="checkbox"/> <input checked="" type="checkbox"/> <input checked="" type="checkbox"/> <input checked="" type="checkbox"/> <input checked="" type="checkbox"/> <input checked="" type="checkbox"/> 8 7 6 5 4 3 2 1

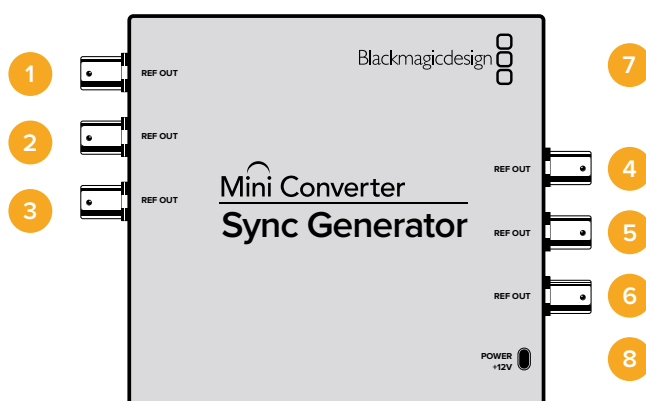


## Lo schema di Mini Converter SDI Multiplex 4K



## Mini Converter Sync Generator

Mini Converter Sync Generator include 6 uscite video di riferimento stabilizzate al quarzo per sincronizzare la strumentazione video al comune segnale di riferimento. Produce segnali tri-sync HD o black burst SD, ed è perfetto per gli studi di piccole dimensioni e il broadcast in esterna.



## Connettori

### 1-6 REF OUT

Connettori BNC per uscite video di riferimento.

### 7 Porta USB MINI B

Si connette ai computer Mac OS X o Windows per accedere all'utilità Blackmagic Converter Setup. La connessione USB consente anche di aggiornare il software interno del convertitore.

### 8 POWER +12V

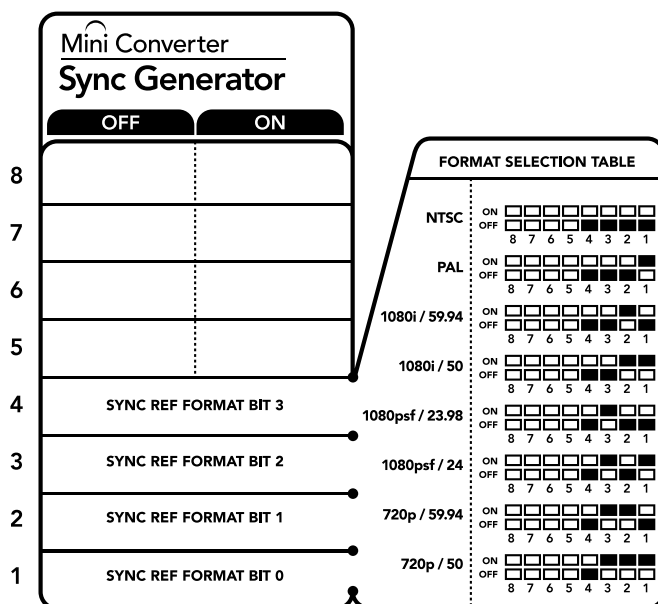
Ingresso di alimentazione 12V.

## Interruttori

Gli interruttori di Mini Converter Sync Generator consentono di regolare le seguenti impostazioni:

### Interruttore 4, 3, 2, 1 - Sync Ref Format Bit 3, 2, 1, 0

Gli interruttori 4, 3, 2 e 1 sono raggruppati per selezionare tra diversi formati video di riferimento.



Lo schema alla base del dispositivo mostra tutte le combinazioni delle impostazioni di conversione.

### Tabella di selezione del formato video

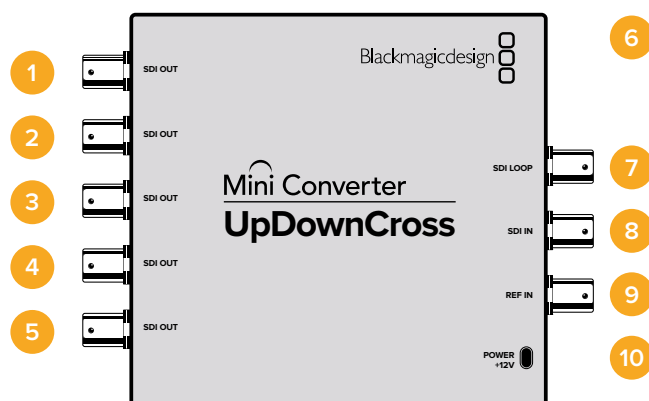
Formato video	Interruttore 4	Interruttore 3	Interruttore 2	Interruttore 1	Posizione
NTSC	OFF	OFF	OFF	OFF	ON <input type="checkbox"/> <input type="checkbox"/> <input type="checkbox"/> <input type="checkbox"/> <input type="checkbox"/> <input type="checkbox"/> <input type="checkbox"/> <input type="checkbox"/> OFF <input type="checkbox"/> <input type="checkbox"/> <input type="checkbox"/> <input type="checkbox"/> <input type="checkbox"/> <input type="checkbox"/> <input type="checkbox"/> <input type="checkbox"/>
PAL	OFF	OFF	OFF	ON	ON <input type="checkbox"/> <input type="checkbox"/> <input type="checkbox"/> <input type="checkbox"/> <input type="checkbox"/> <input type="checkbox"/> <input type="checkbox"/> <input checked="" type="checkbox"/> OFF <input type="checkbox"/> <input type="checkbox"/> <input type="checkbox"/> <input type="checkbox"/> <input type="checkbox"/> <input type="checkbox"/> <input type="checkbox"/> <input type="checkbox"/>
720p50	OFF	ON	ON	ON	ON <input type="checkbox"/> <input type="checkbox"/> <input type="checkbox"/> <input type="checkbox"/> <input type="checkbox"/> <input type="checkbox"/> <input checked="" type="checkbox"/> <input checked="" type="checkbox"/> OFF <input type="checkbox"/> <input type="checkbox"/> <input type="checkbox"/> <input type="checkbox"/> <input type="checkbox"/> <input type="checkbox"/> <input type="checkbox"/> <input type="checkbox"/>
720p59.94	OFF	ON	ON	OFF	ON <input type="checkbox"/> <input type="checkbox"/> <input type="checkbox"/> <input type="checkbox"/> <input checked="" type="checkbox"/> <input checked="" type="checkbox"/> <input type="checkbox"/> <input type="checkbox"/> OFF <input type="checkbox"/> <input type="checkbox"/> <input type="checkbox"/> <input type="checkbox"/> <input type="checkbox"/> <input type="checkbox"/> <input type="checkbox"/> <input type="checkbox"/>
720p60	ON	ON	ON	OFF	ON <input type="checkbox"/> <input type="checkbox"/> <input type="checkbox"/> <input checked="" type="checkbox"/> <input checked="" type="checkbox"/> <input checked="" type="checkbox"/> <input checked="" type="checkbox"/> <input checked="" type="checkbox"/> OFF <input type="checkbox"/> <input type="checkbox"/> <input type="checkbox"/> <input type="checkbox"/> <input type="checkbox"/> <input type="checkbox"/> <input type="checkbox"/> <input type="checkbox"/>
1080i50	OFF	OFF	ON	ON	ON <input type="checkbox"/> <input type="checkbox"/> <input type="checkbox"/> <input type="checkbox"/> <input type="checkbox"/> <input type="checkbox"/> <input checked="" type="checkbox"/> <input checked="" type="checkbox"/> OFF <input type="checkbox"/> <input type="checkbox"/> <input type="checkbox"/> <input type="checkbox"/> <input type="checkbox"/> <input type="checkbox"/> <input type="checkbox"/> <input type="checkbox"/>
1080i59.94	OFF	OFF	ON	OFF	ON <input type="checkbox"/> <input type="checkbox"/> <input type="checkbox"/> <input type="checkbox"/> <input type="checkbox"/> <input checked="" type="checkbox"/> <input checked="" type="checkbox"/> <input type="checkbox"/> OFF <input type="checkbox"/> <input type="checkbox"/> <input type="checkbox"/> <input type="checkbox"/> <input type="checkbox"/> <input type="checkbox"/> <input type="checkbox"/> <input type="checkbox"/>
1080i60	ON	OFF	OFF	OFF	ON <input type="checkbox"/> <input type="checkbox"/> <input type="checkbox"/> <input checked="" type="checkbox"/> <input checked="" type="checkbox"/> <input checked="" type="checkbox"/> <input checked="" type="checkbox"/> <input checked="" type="checkbox"/> OFF <input type="checkbox"/> <input type="checkbox"/> <input type="checkbox"/> <input type="checkbox"/> <input type="checkbox"/> <input type="checkbox"/> <input type="checkbox"/> <input type="checkbox"/>



## Mini Converter UpDownCross

Esegue conversioni in minore e maggiore risoluzione, incrociate, di standard NTSC/PAL e formati. È in grado di convertire i formati video 720p, 1080i, PAL e NTSC. Le conversioni in maggiore risoluzione hanno un rapporto d'aspetto Pillarbox 4:3 o Zoom 16:9. Le opzioni disponibili per quelle in minore risoluzione sono Letterbox 4:3 e Anamorphic 16:9.

Quando l'opzione "Processing" è impostata su OFF, Mini Converter opera in qualità di amplificatore di distribuzione SDI.



## Connettori

### 1-5 SDI OUT

Connettori BNC per uscite video SDI.

### 6 Porta USB MINI B

Si connette ai computer Mac OS X o Windows per accedere all'utilità Blackmagic Converter Setup. La connessione USB consente anche di aggiornare il software interno del convertitore.

### 7 SDI LOOP

Uscita principale dell'ingresso video.

### 8 SDI IN

Ingresso SDI.

### 9 REF IN

Ingresso video di riferimento.

### 10 POWER +12V

Ingresso di alimentazione 12V.

## Interruttori

Gli interruttori di Mini Converter UpDownCross consentono di impostare le seguenti impostazioni:

### Interruttore 8 - Aspect Ratio Conversion

Gli interruttori 8 e 7 configurano il rapporto d'aspetto durante le conversioni in maggiore o minore risoluzione. Per esempio, durante una conversione in minore risoluzione, scegli il rapporto d'aspetto Letterbox posizionando gli interruttori 8 e 7 su OFF.



I rapporti d'aspetto disponibili sono descritti qui sotto:

### Conversione in maggiore risoluzione

- **4:3 Pillarbox:** Mostra l'immagine a definizione standard nel formato 4:3 in un riquadro 16:9 ad alta definizione. Una barra nera appare ai lati dell'immagine.

### Conversione in minore risoluzione

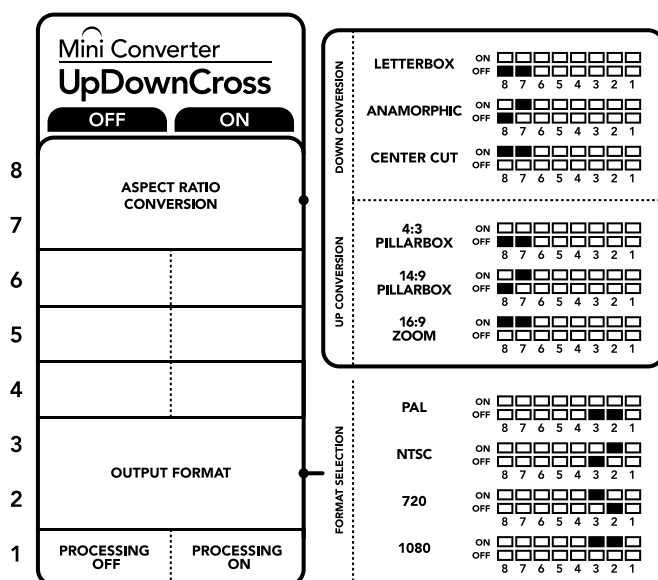
- **Letterbox:** Ridimensiona l'intera immagine HD 16:9 nel formato 4:3 SD, e mostra una barra nera sopra e sotto l'immagine.
- **Anamorphic:** Ridimensiona l'immagine HD 16:9 orizzontale nel formato 4:3 SD.
- **Center Cut:** Ricrea un'immagine 4:3 SD dal formato 16:9 HD. Questo rapporto d'aspetto scarta una porzione della visuale da entrambi i lati dell'immagine 16:9.
- **14:9 Pillarbox:** Combina i formati Pillarbox 4:3 e Zoom 16:9. L'immagine 4:3 SD è leggermente più grande, una porzione maggiore di immagine trova spazio nel formato 16:9, si riduce la quantità di barre nere laterali, ma si perde una piccola parte del lato superiore e inferiore.
- **16:9 De-Squeeze:** Ridimensiona l'immagine SD in 4:3 anamorfoico fino a riempire il formato 16:9. Non si perde nessuna porzione dell'immagine.

### Interruttore 1 - Processing Off - Processing On

Posizionando l'interruttore 1 su OFF, il convertitore aggira le conversioni e consente di distribuire il video a sei dispositivi SDI.

### Esempio di configurazione

Configura il convertitore per convertire video 625i50 4:3 in 1080i50 con rapporto d'aspetto Pillarbox 4:3, posizionando gli interruttori 8 e 7 su OFF e gli interruttori 3, 2 e 1 su ON.

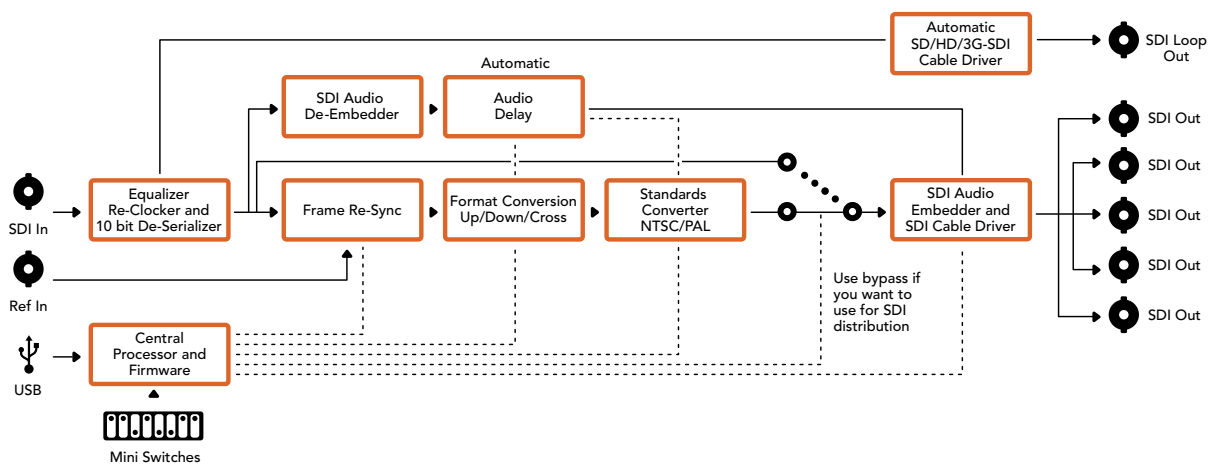


Lo schema alla base del dispositivo mostra tutte le combinazioni delle impostazioni di conversione.

Tabella di conversione di Mini Converter UpDownCross

Ingresso video	NTSC Interruttori 1 e 2 ON	PAL Interruttore 1 ON	720p Interruttori 1 e 3 ON	1080 Interruttori 1, 2 e 3 ON
525i59.94	525i59.94	625i50	720p59.94	1080i59.94
625i50	525i59.94	625i50	720p50	1080i50
720p50	525i59.94	625i50	720p50	1080i50
720p59.94	525i59.94	625i50	720p59.94	1080i59.94
720p60	525i59.94	625i50	720p60	1080i60
1080PsF23.98	525i59.94	625i50	720p59.94	1080PsF23.98
1080p23.98	525i59.94	625i50	720p59.94	1080p23.98
1080PsF24	525i59.94	625i50	720p50	1080PsF24
1080p24	525i59.94	625i50	720p50	1080p24
1080p25	525i59.94	625i50	720p50	1080p25
1080p29.97	525i59.94	625i50	720p59.94	1080p29.97
1080p30	525i59.94	625i50	720p60	1080p30
1080i50	525i59.94	625i50	720p50	1080i50
1080i59.94	525i59.94	625i50	720p59.94	1080i59.94
1080i60	525i59.94	625i50	720p60	1080i60
1080p50	525i59.94	625i50	720p50	1080p50
1080p59.94	525i59.94	625i50	720p59.94	1080p59.94
1080p60	525i59.94	625i50	720p60	1080p60
2048x1556PsF23.98	525i59.94	625i50	2048x1556PsF23.98	2048x1556PsF23.98
2048x1556PsF24	525i59.94	625i50	2048x1556PsF24	2048x1556PsF24
2048x1556PsF25	525i59.94	625i50	2048x1556PsF25	2048x1556PsF25

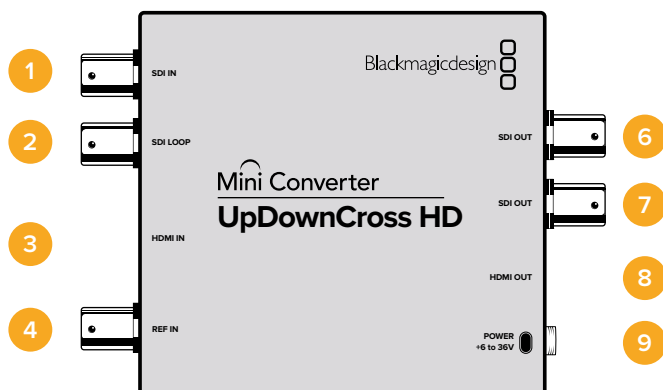
Lo schema di Mini Converter UpDownCross



## Mini Converter UpDownCross HD

Mini Converter UpDownCross HD è un potente convertitore di standard in grado di convertire qualsiasi formato video SD o HD in risoluzione maggiore (up) o minore (down), o di eseguire una conversione incrociata (cross) via SDI e HDMI. Supporta tutti i formati SD e HD fino al 1080p60, inclusi NTSC e PAL, e offre diverse opzioni di rapporto d'aspetto per le conversioni up e down. L'ingresso HDMI accetta anche le risoluzioni di uscita 1024 x 768, 800 x 600, e 640 x 480 del computer.

Se l'elaborazione di conversione è impostata su OFF, le uscite HDMI e SDI diventano uscite di loop, che puoi usare per inviare il segnale di ingresso ad altri dispositivi SDI.



## Connettori

- 1 SDI IN**  
Ingresso SDI. La spia LED accanto al connettore BNC si illumina quando viene rilevato un segnale SDI sincronizzato. Se entrambi gli ingressi SDI e HDMI sono in uso, l'ingresso SDI ha la priorità.
- 2 SDI LOOP**  
Uscita di loop principale dell'ingresso video SDI.
- 3 HDMI IN**  
HDMI tipo A per ingresso video. La spia LED accanto al connettore si illumina quando viene rilevato un segnale HDMI di ingresso valido.
- 4 REF IN**  
Ingresso video di riferimento. La spia LED accanto al connettore indica lo stato del segnale:  
**Bianco fisso** - il formato dell'ingresso di riferimento corrisponde al formato dell'uscita video impostato sul convertitore.  
**Bianco lampeggiante** - il formato dell'ingresso di riferimento è valido ma non corrisponde al formato dell'uscita video impostato sul convertitore.
- 5 Porta USB C**  
Si connette ai computer Mac OS X e Windows per accedere all'utilità Blackmagic Converter Setup. La connessione USB consente anche di aggiornare il software interno del convertitore.
- 6-7 SDI OUT**  
Connettori BNC per uscita video SDI.
- 8 HDMI OUT**  
HDMI tipo A di uscita video.
- 9 POWER +6 to 36V**  
Ingresso di alimentazione 6V – 36V. Il cavo si avvita saldamente al connettore sull'unità per evitare la disconnessione accidentale. La spia LED accanto al connettore DC si illumina quando la corrente è connessa.



## Interruttori

Gli interruttori di Mini Converter UpDownCross HD consentono di impostare le seguenti impostazioni:

### Interruttore 1 - Processing Off - Processing On

Posizionando l'interruttore 1 su OFF, il convertitore aggira tutte le conversioni e consente di distribuire il video tramite le uscite SDI e HDMI.

Con questa configurazione le uscite SDI e HDMI corrispondono ai rispettivi ingressi.

Posizionando l'interruttore su ON, l'elaborazione è abilitata e gli interruttori 4 e 8 configurano l'uscita del convertitore.

### Interruttore 2 - Level A output / Level B output

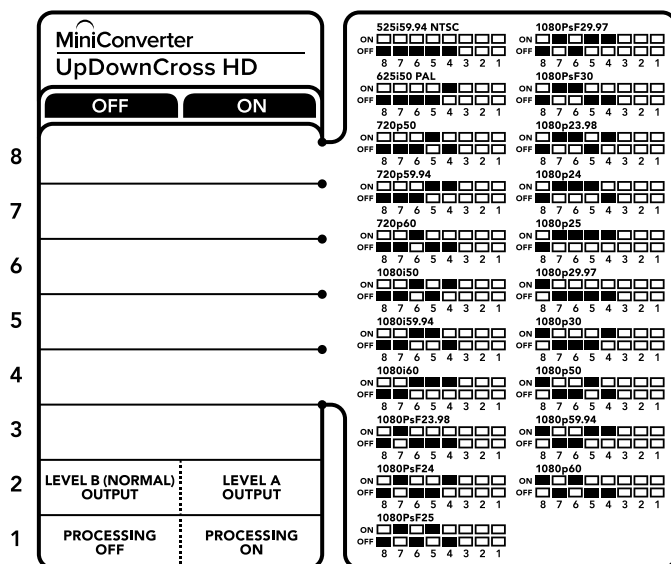
Posiziona l'interruttore 2 su OFF per selezionare il livello B, su ON per selezionare il livello A. Con questo interruttore puoi determinare il livello dell'uscita 3G-SDI in base ai dispositivi 3G-SDI connessi.

**SUGGERIMENTO** Se hai connesso un segnale 3G-SDI a un dispositivo 3G-SDI ma il segnale non viene rilevato, prova a cambiare la posizione dell'interruttore 2 per assecondare le specifiche del dispositivo in uso.

### Interruttori 4 - 8

Gli interruttori da 4 a 8 determinano il formato e lo standard del segnale di uscita del convertitore. Lo schema alla base del convertitore mostra la configurazione per ciascun formato e standard.

### Esempio di configurazione



## Tabella di selezione del formato video

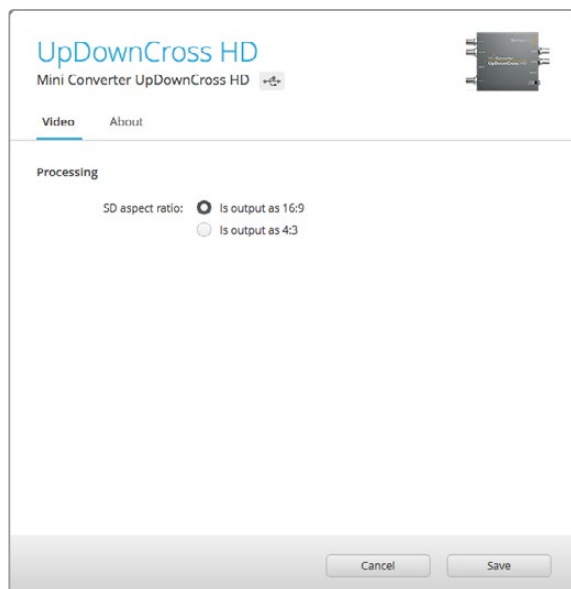
Formato video	Interruttore 8	Interruttore 7	Interruttore 6	Interruttore 5	Interruttore 4	Posizione
525i59.94 NTSC	OFF	OFF	OFF	OFF	OFF	ON <input type="checkbox"/> <input type="checkbox"/> <input type="checkbox"/> <input type="checkbox"/> <input type="checkbox"/> <input type="checkbox"/> <input type="checkbox"/> <input type="checkbox"/> <input type="checkbox"/> <input type="checkbox"/> OFF <input checked="" type="checkbox"/> <input checked="" type="checkbox"/> <input checked="" type="checkbox"/> <input checked="" type="checkbox"/> <input checked="" type="checkbox"/> <input checked="" type="checkbox"/> <input checked="" type="checkbox"/> <input checked="" type="checkbox"/> <input checked="" type="checkbox"/> <input checked="" type="checkbox"/> 8 7 6 5 4 3 2 1
625i50 PAL	OFF	OFF	OFF	OFF	ON	ON <input type="checkbox"/> <input type="checkbox"/> <input type="checkbox"/> <input type="checkbox"/> <input type="checkbox"/> <input type="checkbox"/> <input type="checkbox"/> <input type="checkbox"/> <input type="checkbox"/> <input type="checkbox"/> OFF <input checked="" type="checkbox"/> <input checked="" type="checkbox"/> <input checked="" type="checkbox"/> <input checked="" type="checkbox"/> <input checked="" type="checkbox"/> <input checked="" type="checkbox"/> <input checked="" type="checkbox"/> <input checked="" type="checkbox"/> <input checked="" type="checkbox"/> <input checked="" type="checkbox"/> 8 7 6 5 4 3 2 1
720p50	OFF	OFF	OFF	ON	OFF	ON <input type="checkbox"/> <input type="checkbox"/> <input type="checkbox"/> <input type="checkbox"/> <input type="checkbox"/> <input type="checkbox"/> <input type="checkbox"/> <input type="checkbox"/> <input type="checkbox"/> <input type="checkbox"/> OFF <input checked="" type="checkbox"/> <input checked="" type="checkbox"/> <input checked="" type="checkbox"/> <input checked="" type="checkbox"/> <input checked="" type="checkbox"/> <input checked="" type="checkbox"/> <input checked="" type="checkbox"/> <input checked="" type="checkbox"/> <input checked="" type="checkbox"/> <input checked="" type="checkbox"/> 8 7 6 5 4 3 2 1
720p59.94	OFF	OFF	OFF	ON	ON	ON <input type="checkbox"/> <input type="checkbox"/> <input type="checkbox"/> <input type="checkbox"/> <input type="checkbox"/> <input type="checkbox"/> <input type="checkbox"/> <input type="checkbox"/> <input type="checkbox"/> <input type="checkbox"/> OFF <input checked="" type="checkbox"/> <input checked="" type="checkbox"/> <input checked="" type="checkbox"/> <input checked="" type="checkbox"/> <input checked="" type="checkbox"/> <input checked="" type="checkbox"/> <input checked="" type="checkbox"/> <input checked="" type="checkbox"/> <input checked="" type="checkbox"/> <input checked="" type="checkbox"/> 8 7 6 5 4 3 2 1
720p60	OFF	OFF	ON	OFF	ON	ON <input type="checkbox"/> <input type="checkbox"/> <input type="checkbox"/> <input type="checkbox"/> <input type="checkbox"/> <input type="checkbox"/> <input type="checkbox"/> <input type="checkbox"/> <input type="checkbox"/> <input type="checkbox"/> OFF <input checked="" type="checkbox"/> <input checked="" type="checkbox"/> <input checked="" type="checkbox"/> <input checked="" type="checkbox"/> <input checked="" type="checkbox"/> <input checked="" type="checkbox"/> <input checked="" type="checkbox"/> <input checked="" type="checkbox"/> <input checked="" type="checkbox"/> <input checked="" type="checkbox"/> 8 7 6 5 4 3 2 1
1080i50	OFF	OFF	ON	OFF	ON	ON <input type="checkbox"/> <input type="checkbox"/> <input type="checkbox"/> <input type="checkbox"/> <input type="checkbox"/> <input type="checkbox"/> <input type="checkbox"/> <input type="checkbox"/> <input type="checkbox"/> <input type="checkbox"/> OFF <input checked="" type="checkbox"/> <input checked="" type="checkbox"/> <input checked="" type="checkbox"/> <input checked="" type="checkbox"/> <input checked="" type="checkbox"/> <input checked="" type="checkbox"/> <input checked="" type="checkbox"/> <input checked="" type="checkbox"/> <input checked="" type="checkbox"/> <input checked="" type="checkbox"/> 8 7 6 5 4 3 2 1
1080i59.94	OFF	OFF	ON	ON	OFF	ON <input type="checkbox"/> <input type="checkbox"/> <input type="checkbox"/> <input type="checkbox"/> <input type="checkbox"/> <input type="checkbox"/> <input type="checkbox"/> <input type="checkbox"/> <input type="checkbox"/> <input type="checkbox"/> OFF <input checked="" type="checkbox"/> <input checked="" type="checkbox"/> <input checked="" type="checkbox"/> <input checked="" type="checkbox"/> <input checked="" type="checkbox"/> <input checked="" type="checkbox"/> <input checked="" type="checkbox"/> <input checked="" type="checkbox"/> <input checked="" type="checkbox"/> <input checked="" type="checkbox"/> 8 7 6 5 4 3 2 1
1080i60	OFF	OFF	ON	ON	ON	ON <input type="checkbox"/> <input type="checkbox"/> <input type="checkbox"/> <input type="checkbox"/> <input type="checkbox"/> <input type="checkbox"/> <input type="checkbox"/> <input type="checkbox"/> <input type="checkbox"/> <input type="checkbox"/> OFF <input checked="" type="checkbox"/> <input checked="" type="checkbox"/> <input checked="" type="checkbox"/> <input checked="" type="checkbox"/> <input checked="" type="checkbox"/> <input checked="" type="checkbox"/> <input checked="" type="checkbox"/> <input checked="" type="checkbox"/> <input checked="" type="checkbox"/> <input checked="" type="checkbox"/> 8 7 6 5 4 3 2 1
1080PsF23.98	OFF	ON	OFF	OFF	OFF	ON <input type="checkbox"/> <input type="checkbox"/> <input type="checkbox"/> <input type="checkbox"/> <input type="checkbox"/> <input type="checkbox"/> <input type="checkbox"/> <input type="checkbox"/> <input type="checkbox"/> <input type="checkbox"/> OFF <input checked="" type="checkbox"/> <input checked="" type="checkbox"/> <input checked="" type="checkbox"/> <input checked="" type="checkbox"/> <input checked="" type="checkbox"/> <input checked="" type="checkbox"/> <input checked="" type="checkbox"/> <input checked="" type="checkbox"/> <input checked="" type="checkbox"/> <input checked="" type="checkbox"/> 8 7 6 5 4 3 2 1
1080PsF24	OFF	ON	OFF	OFF	ON	ON <input type="checkbox"/> <input type="checkbox"/> <input type="checkbox"/> <input type="checkbox"/> <input type="checkbox"/> <input type="checkbox"/> <input type="checkbox"/> <input type="checkbox"/> <input type="checkbox"/> <input type="checkbox"/> OFF <input checked="" type="checkbox"/> <input checked="" type="checkbox"/> <input checked="" type="checkbox"/> <input checked="" type="checkbox"/> <input checked="" type="checkbox"/> <input checked="" type="checkbox"/> <input checked="" type="checkbox"/> <input checked="" type="checkbox"/> <input checked="" type="checkbox"/> <input checked="" type="checkbox"/> 8 7 6 5 4 3 2 1
1080PsF25	OFF	ON	OFF	ON	OFF	ON <input type="checkbox"/> <input type="checkbox"/> <input type="checkbox"/> <input type="checkbox"/> <input type="checkbox"/> <input type="checkbox"/> <input type="checkbox"/> <input type="checkbox"/> <input type="checkbox"/> <input type="checkbox"/> OFF <input checked="" type="checkbox"/> <input checked="" type="checkbox"/> <input checked="" type="checkbox"/> <input checked="" type="checkbox"/> <input checked="" type="checkbox"/> <input checked="" type="checkbox"/> <input checked="" type="checkbox"/> <input checked="" type="checkbox"/> <input checked="" type="checkbox"/> <input checked="" type="checkbox"/> 8 7 6 5 4 3 2 1
1080PsF29.97	OFF	ON	OFF	ON	ON	ON <input type="checkbox"/> <input type="checkbox"/> <input type="checkbox"/> <input type="checkbox"/> <input type="checkbox"/> <input type="checkbox"/> <input type="checkbox"/> <input type="checkbox"/> <input type="checkbox"/> <input type="checkbox"/> OFF <input checked="" type="checkbox"/> <input checked="" type="checkbox"/> <input checked="" type="checkbox"/> <input checked="" type="checkbox"/> <input checked="" type="checkbox"/> <input checked="" type="checkbox"/> <input checked="" type="checkbox"/> <input checked="" type="checkbox"/> <input checked="" type="checkbox"/> <input checked="" type="checkbox"/> 8 7 6 5 4 3 2 1
1080PsF30	OFF	ON	ON	OFF	OFF	ON <input type="checkbox"/> <input type="checkbox"/> <input type="checkbox"/> <input type="checkbox"/> <input type="checkbox"/> <input type="checkbox"/> <input type="checkbox"/> <input type="checkbox"/> <input type="checkbox"/> <input type="checkbox"/> OFF <input checked="" type="checkbox"/> <input checked="" type="checkbox"/> <input checked="" type="checkbox"/> <input checked="" type="checkbox"/> <input checked="" type="checkbox"/> <input checked="" type="checkbox"/> <input checked="" type="checkbox"/> <input checked="" type="checkbox"/> <input checked="" type="checkbox"/> <input checked="" type="checkbox"/> 8 7 6 5 4 3 2 1
1080p23.98	OFF	ON	ON	OFF	ON	ON <input type="checkbox"/> <input type="checkbox"/> <input type="checkbox"/> <input type="checkbox"/> <input type="checkbox"/> <input type="checkbox"/> <input type="checkbox"/> <input type="checkbox"/> <input type="checkbox"/> <input type="checkbox"/> OFF <input checked="" type="checkbox"/> <input checked="" type="checkbox"/> <input checked="" type="checkbox"/> <input checked="" type="checkbox"/> <input checked="" type="checkbox"/> <input checked="" type="checkbox"/> <input checked="" type="checkbox"/> <input checked="" type="checkbox"/> <input checked="" type="checkbox"/> <input checked="" type="checkbox"/> 8 7 6 5 4 3 2 1
1080p24	OFF	ON	ON	ON	OFF	ON <input type="checkbox"/> <input type="checkbox"/> <input type="checkbox"/> <input type="checkbox"/> <input type="checkbox"/> <input type="checkbox"/> <input type="checkbox"/> <input type="checkbox"/> <input type="checkbox"/> <input type="checkbox"/> OFF <input checked="" type="checkbox"/> <input checked="" type="checkbox"/> <input checked="" type="checkbox"/> <input checked="" type="checkbox"/> <input checked="" type="checkbox"/> <input checked="" type="checkbox"/> <input checked="" type="checkbox"/> <input checked="" type="checkbox"/> <input checked="" type="checkbox"/> <input checked="" type="checkbox"/> 8 7 6 5 4 3 2 1
1080p25	OFF	ON	ON	ON	ON	ON <input type="checkbox"/> <input type="checkbox"/> <input type="checkbox"/> <input type="checkbox"/> <input type="checkbox"/> <input type="checkbox"/> <input type="checkbox"/> <input type="checkbox"/> <input type="checkbox"/> <input type="checkbox"/> OFF <input checked="" type="checkbox"/> <input checked="" type="checkbox"/> <input checked="" type="checkbox"/> <input checked="" type="checkbox"/> <input checked="" type="checkbox"/> <input checked="" type="checkbox"/> <input checked="" type="checkbox"/> <input checked="" type="checkbox"/> <input checked="" type="checkbox"/> <input checked="" type="checkbox"/> 8 7 6 5 4 3 2 1
1080p29.97	OFF	ON	ON	ON	OFF	ON <input type="checkbox"/> <input type="checkbox"/> <input type="checkbox"/> <input type="checkbox"/> <input type="checkbox"/> <input type="checkbox"/> <input type="checkbox"/> <input type="checkbox"/> <input type="checkbox"/> <input type="checkbox"/> OFF <input checked="" type="checkbox"/> <input checked="" type="checkbox"/> <input checked="" type="checkbox"/> <input checked="" type="checkbox"/> <input checked="" type="checkbox"/> <input checked="" type="checkbox"/> <input checked="" type="checkbox"/> <input checked="" type="checkbox"/> <input checked="" type="checkbox"/> <input checked="" type="checkbox"/> 8 7 6 5 4 3 2 1
1080p30	ON	OFF	OFF	OFF	ON	ON <input type="checkbox"/> <input type="checkbox"/> <input type="checkbox"/> <input type="checkbox"/> <input type="checkbox"/> <input type="checkbox"/> <input type="checkbox"/> <input type="checkbox"/> <input type="checkbox"/> <input type="checkbox"/> OFF <input checked="" type="checkbox"/> <input checked="" type="checkbox"/> <input checked="" type="checkbox"/> <input checked="" type="checkbox"/> <input checked="" type="checkbox"/> <input checked="" type="checkbox"/> <input checked="" type="checkbox"/> <input checked="" type="checkbox"/> <input checked="" type="checkbox"/> <input checked="" type="checkbox"/> 8 7 6 5 4 3 2 1
1080p50	ON	OFF	OFF	ON	OFF	ON <input type="checkbox"/> <input type="checkbox"/> <input type="checkbox"/> <input type="checkbox"/> <input type="checkbox"/> <input type="checkbox"/> <input type="checkbox"/> <input type="checkbox"/> <input type="checkbox"/> <input type="checkbox"/> OFF <input checked="" type="checkbox"/> <input checked="" type="checkbox"/> <input checked="" type="checkbox"/> <input checked="" type="checkbox"/> <input checked="" type="checkbox"/> <input checked="" type="checkbox"/> <input checked="" type="checkbox"/> <input checked="" type="checkbox"/> <input checked="" type="checkbox"/> <input checked="" type="checkbox"/> 8 7 6 5 4 3 2 1
1080p59.94	ON	OFF	OFF	ON	ON	ON <input type="checkbox"/> <input type="checkbox"/> <input type="checkbox"/> <input type="checkbox"/> <input type="checkbox"/> <input type="checkbox"/> <input type="checkbox"/> <input type="checkbox"/> <input type="checkbox"/> <input type="checkbox"/> OFF <input checked="" type="checkbox"/> <input checked="" type="checkbox"/> <input checked="" type="checkbox"/> <input checked="" type="checkbox"/> <input checked="" type="checkbox"/> <input checked="" type="checkbox"/> <input checked="" type="checkbox"/> <input checked="" type="checkbox"/> <input checked="" type="checkbox"/> <input checked="" type="checkbox"/> 8 7 6 5 4 3 2 1
1080p60	ON	OFF	ON	OFF	OFF	ON <input type="checkbox"/> <input type="checkbox"/> <input type="checkbox"/> <input type="checkbox"/> <input type="checkbox"/> <input type="checkbox"/> <input type="checkbox"/> <input type="checkbox"/> <input type="checkbox"/> <input type="checkbox"/> OFF <input checked="" type="checkbox"/> <input checked="" type="checkbox"/> <input checked="" type="checkbox"/> <input checked="" type="checkbox"/> <input checked="" type="checkbox"/> <input checked="" type="checkbox"/> <input checked="" type="checkbox"/> <input checked="" type="checkbox"/> <input checked="" type="checkbox"/> <input checked="" type="checkbox"/> 8 7 6 5 4 3 2 1

## Utilità di sistema

L'utilità Blackmagic Converter Setup consente di cambiare le impostazioni, per esempio il rapporto d'aspetto, e di aggiornare il software del convertitore. Le impostazioni vengono salvate e mantenute alla riaccensione. Le impostazioni disponibili sono contenute nelle tab "Video", "Audio" e "About".

La tab "About" è descritta in dettaglio nella sezione "Cambiare le impostazioni" del manuale.

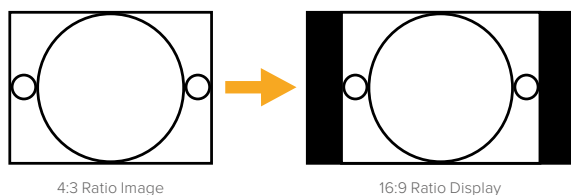
La tab "Video" di Mini Converter UpDownCross HD contiene le seguenti impostazioni:



Seleziona un rapporto d'aspetto per SD nella tab "Video" dell'utilità.

### Rapporto d'aspetto per definizione standard

Deseleziona la casella "SD aspect ratio" per selezionare l'opzione pillarbox 4:3. Spunta la casella per selezionare l'opzione SD 16:9. Per esempio se l'ingresso video è SD 4:3, deselezionando la casella il video verrà visualizzato in pillarbox 4:3 per mantenere il rapporto d'aspetto originale 4:3 nel formato 16:9. Ma se il video di ingresso è SD 16:9, spuntando la casella si abilita la conversione diretta al 16:9.

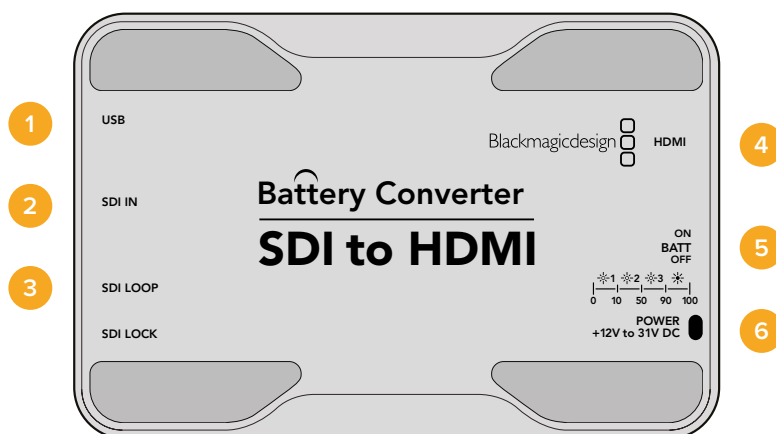


Il rapporto d'aspetto di default nell'utilità di sistema è SD pillarbox 4:3. Per impostare il convertitore perché mantenga un rapporto di 16:9, spunta l'apposita casella nella tab "Video".

# Blackmagic Battery Converter

## Battery Converter SDI to HDMI

Battery Converter SDI to HDMI consente di connettere un'ampia varietà di display HDMI e videoproiettori alla strumentazione SDI. Rileva automaticamente i formati SD/HD/3G-SDI e converte i segnali in HDMI con audio integrato. Ospita una batteria ricaricabile e connettori a incasso protetti da una struttura in alluminio aeronautico.



## Connettori

### 1 Porta USB MINI B

Si connette ai computer Mac OS X o Windows per accedere all'utilità Blackmagic Converter Setup. La connessione USB consente anche di aggiornare il software interno del convertitore.

### 2 SDI IN

Connettore BNC per ingresso SDI principale.

### 3 SDI Loop

Connettore BNC per uscita di loop dell'ingresso SDI.

### 4 HDMI

HDMI tipo A per uscita video.

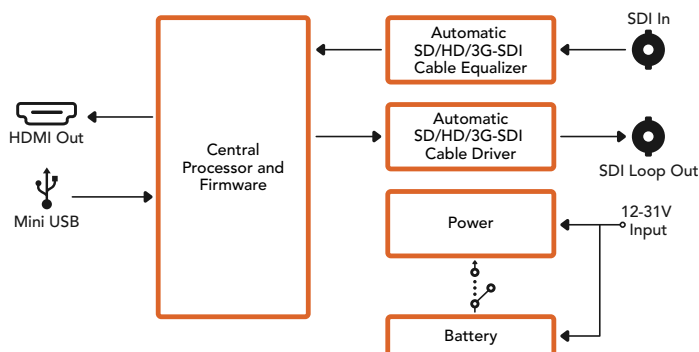
### 5 ON BATT OFF

Batteria interna ON/OFF. Posiziona l'interruttore su ON per utilizzare la batteria interna in assenza di alimentazione esterna, su OFF per sfruttare unicamente l'alimentazione esterna e risparmiare la carica. La spia LED rimane accesa quando la batteria è carica al 100%, lampeggia tre volte tra il 50% e il 90%, due volte tra il 10% e il 50%, e una volta se la carica residua è inferiore al 10%.

### 6 POWER +12V

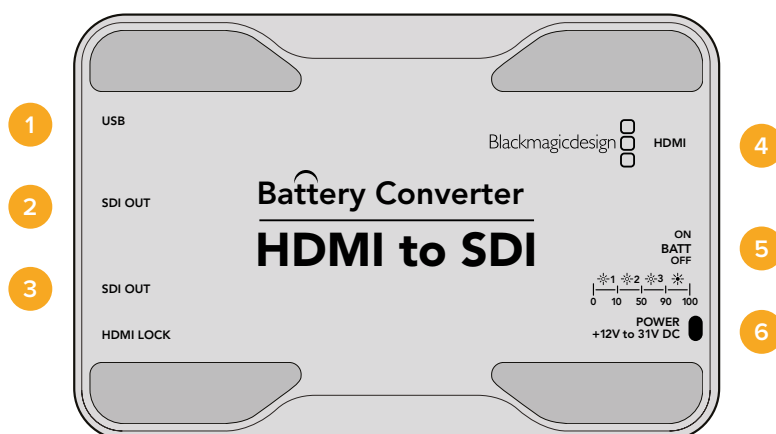
Ingresso di alimentazione 12V.

## Lo schema di Battery Converter SDI to HDMI



## Battery Converter HDMI to SDI

Battery Converter HDMI to SDI converte in SDI le uscite HDMI dei dispositivi quali videocamere HDV e console di gioco, inviando i segnali video della connessione HDMI mediante lunghi cavi SDI. Questo modello consente di aggiungere uscite SDI ai computer compatibili con l'HDMI. Include una batteria interna ricaricabile, e ospita connessioni a incasso protette da una struttura in alluminio aeronautico.



## Connettori

- 1 Porta USB MINI B**  
Si connette ai computer Mac OS X o Windows per accedere all'utilità Blackmagic Converter Setup. La connessione USB consente anche di aggiornare il software interno del convertitore.
- 2 SDI OUT**  
Connettore BNC per uscita video SDI.
- 3 SDI OUT**  
Uscita SDI ridondante.
- 4 HDMI**  
HDMI tipo A per ingresso video.

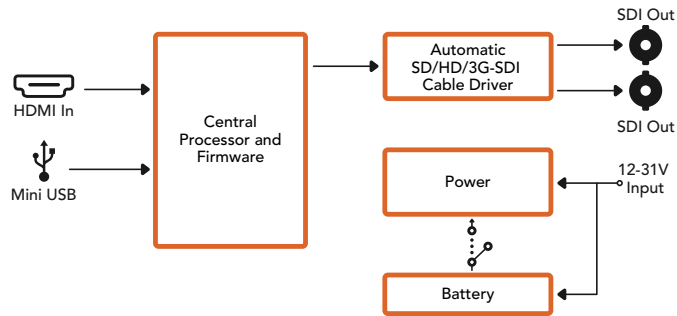
## 5 ON BATT OFF

Batteria interna ON/OFF. Posiziona l'interruttore su ON per utilizzare la batteria interna in assenza di alimentazione esterna, su OFF per sfruttare unicamente l'alimentazione esterna e risparmiare la carica. La spia LED rimane accesa quando la batteria è carica al 100%, lampeggia tre volte tra il 50% e il 90%, due volte tra il 10% e il 50%, e una volta se la carica residua è inferiore al 10%.

## 6 POWER +12V

Ingresso di alimentazione 12V.

### Lo schema di Battery Converter HDMI to SDI



# Assistenza

## Assistenza clienti

Per ottenere supporto tecnico e non solo, visita la pagina Supporto del sito Blackmagic Design.

### **Pagina di supporto online di Blackmagic Design**

Per il materiale più recente, inclusi software e note di supporto, visita il sito Blackmagic Design alla pagina [www.blackmagicdesign.com/it/support](http://www.blackmagicdesign.com/it/support)

### **Il Forum Blackmagic Design**

La pagina Forum del nostro sito Blackmagic Design è un'ottima risorsa per ottenere informazioni utili e condividere idee creative. Qui troverai le risposte alle domande più frequenti, oltre ai consigli degli utenti esistenti e dello staff Blackmagic Design. Visita la pagina Forum su <https://forum.blackmagicdesign.com>

### **Contatta Blackmagic Design**

Se il materiale sulla nostra pagina Forum non risponde alle tue domande, clicca su "Invia una email" nella pagina Supporto, oppure clicca su "Trova un team di supporto" per contattare direttamente il team di Blackmagic Design più vicino a te.

### **Verificare la versione del software**

Per verificare quale versione del software Converter Setup è installata sul tuo computer, apri la tab "About" dell'utilità.

- Su Mac OS X, apri la cartella Applicazioni e seleziona Blackmagic Converter Setup. La tab "About" di Blackmagic Converter Setup mostra la versione attualmente in uso.
- Su Windows 7, seleziona Blackmagic Converter Setup dal menù Start. Clicca su Help e seleziona "About Blackmagic Converter Setup" per scoprirne la versione.
- Su Windows 8, seleziona Blackmagic Converter Setup dall'icona Blackmagic Converter Setup nella pagina Start. Clicca su Help e seleziona "About Blackmagic Converter Setup" per scoprirne la versione.

### **Dove trovare gli aggiornamenti più recenti del software**

Per verificare quale versione del software Blackmagic Converter Setup è installata sul tuo computer, apri la tab "About" del software.

Gli ultimi aggiornamenti software sono disponibili sul sito Blackmagic Design alla pagina di supporto [www.blackmagicdesign.com/it/support](http://www.blackmagicdesign.com/it/support). Ti consigliamo di non aggiornare il software se sei nel mezzo di un progetto importante.

# Garanzia

## Garanzia limitata di un anno

Blackmagic Design garantisce al Cliente l'esenzione dei modelli Mini Converter e Mini Converter Heavy Duty da difetti nei materiali e nella fabbricazione per il periodo di garanzia di 3 anni dalla data di acquisto del prodotto. Sono esclusi i connettori, i cavi, i moduli per fibra ottica, i fusibili e le batterie, forniti privi di difetti nei materiali e nella costruzione per un periodo limitato di 1 anno dalla data di acquisto. Blackmagic Design garantisce l'esenzione dei modelli Battery Converter da difetti nei materiali e nella fabbricazione per un periodo di 1 anno dalla data d'acquisto. Durante il periodo di garanzia Blackmagic Design riparerà o, a sua scelta, sostituirà tutti i componenti che risultino difettosi esonerando il Cliente da costi aggiuntivi, purché questi vengano restituiti dal Cliente.

Per ottenere l'assistenza coperta dalla presente garanzia, il Cliente deve notificare Blackmagic Design del difetto entro il periodo di garanzia. Il Cliente è responsabile del costo di imballaggio e di spedizione del prodotto al centro di assistenza indicato da Blackmagic Design, con spese di spedizione prepagate. Il costo include spedizione, assicurazione, tasse, dogana, e altre spese pertinenti alla resa del prodotto a Blackmagic Design.

Questa garanzia perde di validità per danni causati da un utilizzo improprio, o da manutenzione e cura inadeguate del prodotto. Blackmagic Design non ha obbligo di assistenza e riparazione sotto garanzia per danni al prodotto risultanti da: a) precedenti tentativi di installazione, riparazione o manutenzione da personale non autorizzato, ovvero al di fuori del personale Blackmagic Design, b) precedenti usi impropri o tentativi di connessione ad attrezzatura incompatibile con il prodotto, c) precedente uso di parti o ricambi non originali Blackmagic Design, o d) precedenti modifiche o integrazione del prodotto ad altri prodotti, con il risultato di rendere la riparazione più difficoltosa o di allungare le tempistiche di eventuali ispezioni atte alla riparazione. La presente garanzia di Blackmagic Design sostituisce qualsiasi altra garanzia, esplicita o implicita. Blackmagic Design e i suoi fornitori escludono qualsiasi altra garanzia implicita di commerciabilità o di idoneità ad un uso specifico. L'intera responsabilità di Blackmagic Design e l'unico esclusivo ricorso dell'utente per qualsiasi danno arrecato di natura indiretta, specifica, accidentale o consequenziale, anche qualora Blackmagic Design fosse stata avvertita della possibilità di tali danni, è la riparazione o la sostituzione dei prodotti difettosi. Blackmagic Design non si assume alcuna responsabilità per qualsiasi uso illegale del dispositivo da parte del Cliente. Blackmagic Design non si assume alcuna responsabilità per danni derivanti dall'uso di questo prodotto. Il Cliente utilizza questo prodotto a proprio rischio.

© Copyright 2018 Blackmagic Design. Tutti i diritti riservati. 'Blackmagic Design', 'DeckLink', 'HDLink', 'Workgroup Videohub', 'Multibridge Pro', 'Multibridge Extreme', 'Intensity' and 'Leading the creative video revolution' sono marchi registrati negli Stati Uniti e in altri Paesi. Altri nomi di prodotti e aziende qui contenuti possono essere marchi dei rispettivi proprietari.





Manual de Instalação e Operação

# Conversores Blackmagic

Junho 2018

Português



## Bem-vindo

Obrigado por adquirir um Blackmagic Converter. Nossos conversores foram desenvolvidos para atender às suas necessidades de produção.

Os modelos Blackmagic Mini Converter, Mini Converter Heavy Duty, Battery Converter e Micro Converter oferecem soluções para praticamente qualquer conversão. Os modelos Mini Converter convertem analógico para digital, digital para analógico, SDI para áudio, áudio para SDI, fornecem conversão ascendente/descendente/cruzada, distribuição SDI e oferecem um gerador de sincronismo para casar todos os seus equipamentos de vídeo com o mesmo sinal de referência. O Mini Converter Heavy Duty oferece as mesmas conversões, mas em um design super-resistente, perfeito para uso em locação, enquanto o Battery Converter permite que você trabalhe em locação com ou sem alimentação externa. Os modelos Blackmagic Micro Converter são menores ainda, desenvolvidos para conversões populares como SDI para HDMI e HDMI para SDI, assim você pode plugar qualquer saída HDMI a gravadores e switchers SDI, ou plugar equipamentos de vídeo SDI a monitores HDMI.

Este manual de instrução contém todas as informações necessárias para você começar a usar o seu modelo Blackmagic Converter.

Por favor, consulte a página de suporte no nosso site em [www.blackmagicdesign.com/br](http://www.blackmagicdesign.com/br) para a versão mais recente deste manual e para atualizações do software interno do seu Blackmagic Converter. Para garantir que você receba todos os recursos mais recentes, mantenha o seu software atualizado. Ao baixá-lo, registre seus dados para que possamos mantê-lo informado sobre o lançamento de novos programas. Estamos sempre trabalhando com novos recursos e aprimoramentos, então adoráramos ouvir a sua opinião!

**Grant Petty**

Diretor Executivo da Blackmagic Design

# Índice

## Conversores Blackmagic

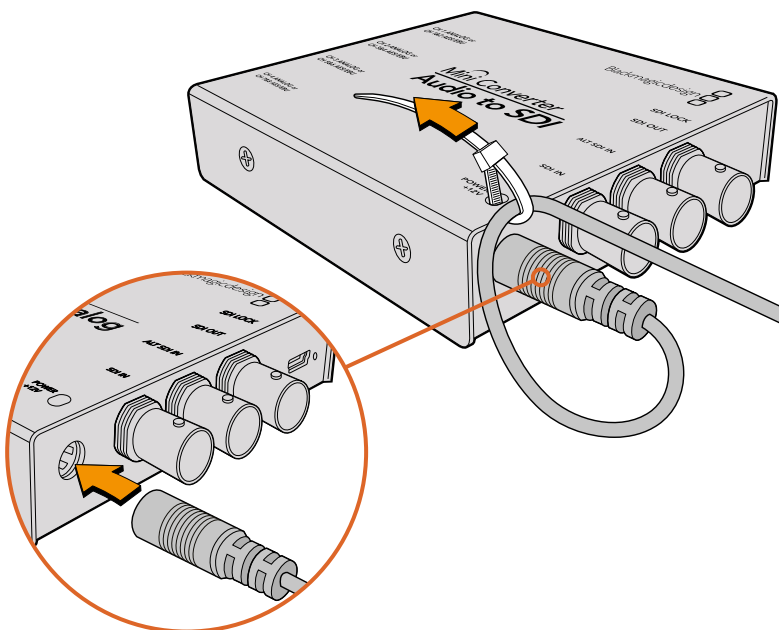
<b>Instruções Preliminares</b>	815	Mini Converter HDMI to SDI	841
Conectar à Alimentação	815	Mini Converter HDMI to SDI 4K	844
Conectar Vídeo	816	Mini Converter HDMI to SDI 6G	847
Conectar Áudio	817	Mini Converter SDI to Analog	850
<b>Instalar o Software de Administração</b>	818	Mini Converter SDI to Analog 4K	855
Instalar o Blackmagic Converters Setup	818	Mini Converter Analog to SDI	859
Atualizar o Software Interno	819	Mini Converter SDI to Audio	863
Atualizar o Mini Converter SDI Distribution 4K	820	Mini Converter SDI to Audio 4K	866
<b>Alterar Configurações</b>	821	Mini Converter Audio to SDI	869
Alterar Configurações Usando Chaves	821	Mini Converter Audio to SDI 4K	873
Alterar Configurações Usando Blackmagic Converters Setup	822	Mini Converter Optical Fiber	877
Aba About	823	Mini Converter Optical Fiber 4K	878
<b>Modelos Blackmagic Converter</b>	823	Mini Converter Optical Fiber 12G	879
<b>Teranex Mini Converters</b>	823	Mini Converter Quad SDI to HDMI 4K	880
<b>Blackmagic Micro Converters</b>	824	Mini Converter SDI Distribution	881
Micro Converter SDI to HDMI	824	Mini Converter SDI Distribution 4K	882
Micro Converter HDMI to SDI	825	Mini Converter SDI Multiplex 4K	883
Micro Converter BiDirectional SDI/HDMI	827	Mini Converter Sync Generator	886
<b>Blackmagic Mini Converters</b>	829	Mini Converter UpDownCross	889
Mini Converter SDI to HDMI	829	Mini Converter UpDownCross HD	893
Mini Converter SDI to HDMI 4K	832	Utilitário Converters Setup	896
Mini Converter SDI to HDMI 6G	836	<b>Blackmagic Battery Converters</b>	897
		Battery Converter SDI to HDMI	897
		Battery Converter HDMI to SDI	898
		<b>Ajuda</b>	900
		<b>Garantia</b>	901

# Instruções Preliminares

Começar a usar o seu Blackmagic Converter é muito simples, basta plugar a alimentação, conectar sua fonte de vídeo à entrada de vídeo do conversor e plugar a saída de vídeo ao equipamento de destino.

## Conectar à Alimentação

Plugue a fonte de alimentação de 12 volts fornecida utilizando o adaptador de soquete para o seu país. Caso o seu conversor possua um ponto de fixação de cabo, você pode assegurar a conexão da alimentação facilmente no seu conversor.



Amarre o cabo de alimentação ao ponto de fixação do conversor para evitar desconexões acidentais.

## Micro Converter

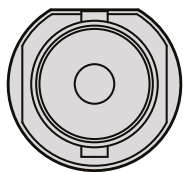
O Blackmagic Micro Converter é alimentado através de um conector microUSB. Isto oferece uma solução de alimentação conveniente e flexível, pois você pode conectar a alimentação utilizando, por exemplo, o carregador de bateria de alguns telefones celulares modernos, ou até mesmo a porta USB do seu computador laptop. Qualquer dispositivo capaz de fornecer 5 V através de um cabo USB ou MicroUSB pode alimentar o seu Blackmagic Micro Converter.

## Battery Converters

Os Blackmagic Battery Converters possuem uma chave rotulada “On Batt Off”, que é usada para alternar entre alimentação da tomada e alimentação por bateria. Ao selecionar “On”, o Battery Converter continuará operando mesmo se a alimentação externa for perdida. Selecionando “Off”, somente a alimentação externa será utilizada, para garantir que a carga da bateria integrada seja preservada. O LED próximo à chave indica o nível da carga da bateria da seguinte forma: iluminação contínua em 100%, piscando três vezes entre 50% e 90%, piscando uma vez quando restar menos de 10% de carga.

## Conectar Vídeo

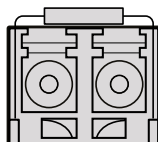
Para conectar as entradas e saídas de vídeo, basta plugar sua fonte de vídeo à entrada de vídeo do conversor e plugar a saída de vídeo ao equipamento de destino.



**BNC**



**HDMI**

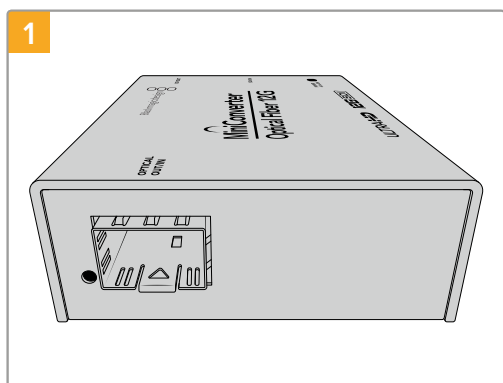


**Optical Fiber**

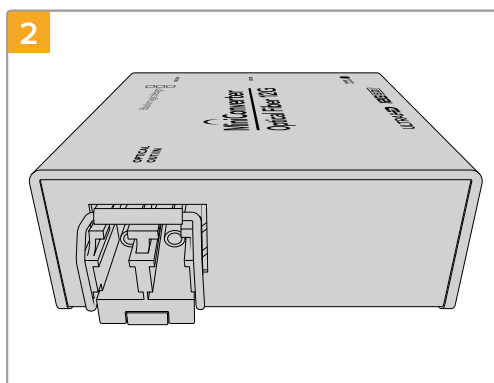
Dependendo do modelo do seu Blackmagic Converter, os conectores de vídeo podem ser BNC, HDMI ou fibra óptica LC.

## Conectores de Fibra Óptica

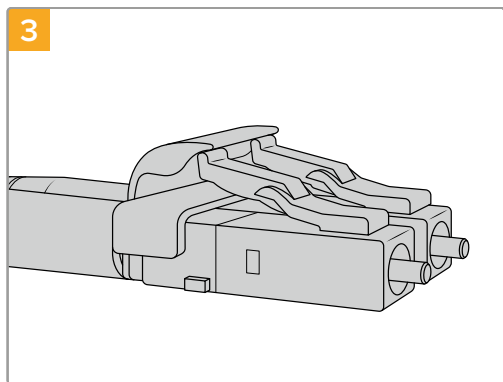
Alguns modelos Blackmagic Converter incluem um soquete SFP para a inserção de um módulo SFP de fibra óptica compatível capaz de suportar vídeos SDI de até 3G, 6G ou 12G. O módulo funciona como um transmissor e receptor óptico com soquetes para cabos de fibra óptica.



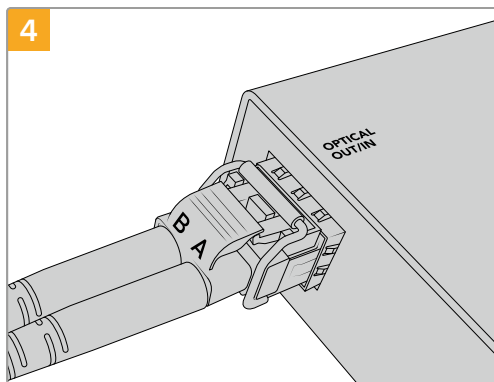
1 Verifique o soquete de entrada/saída óptica para certificar-se de que não esteja empoeirado.



2 Remova a proteção do módulo SFP de fibra óptica e insira-o no soquete SFP. Um pino de encaixe clica para fixar o módulo no soquete.



3 Os cabos de fibra óptica possuem abas de travamento na parte superior para assegurar que eles não se desencaixem.

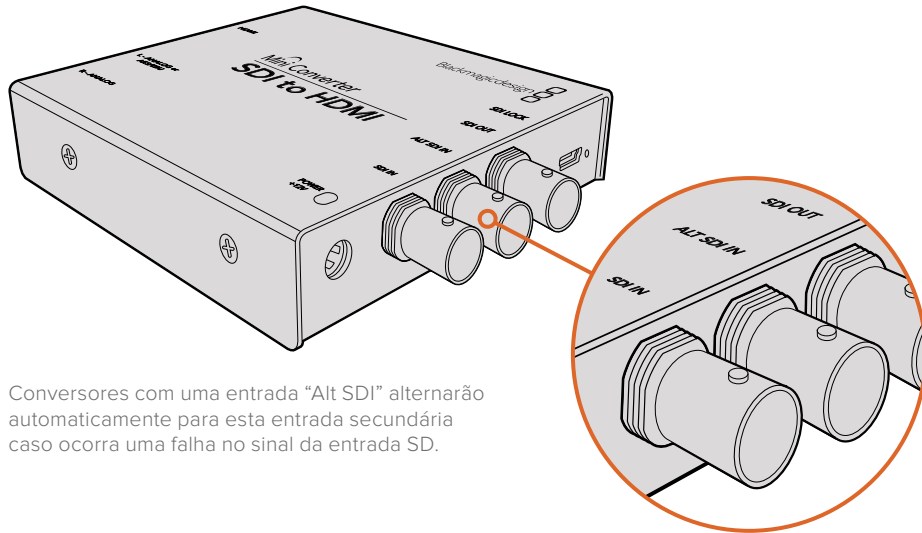


4 Conecte os cabos de fibra óptica. Certifique-se de que os plugues de entrada e saída estejam nos soquetes corretos e que as abas de travamento nos plugues mantenham a alavanca do módulo SFP de fibra óptica levantada.



## Entradas SDI Alternativas À Prova de Falhas

Alguns modelos Blackmagic Converter incluem entradas SDI alternativas para redundância. Estas entradas são rotuladas “Alt SDI In” e assumirão automaticamente o controle caso o sinal SDI da entrada principal falhar. Neste cenário raro, o LED SDI Lock piscará, indicando que o conversor alternou para a entrada ALT SDI.

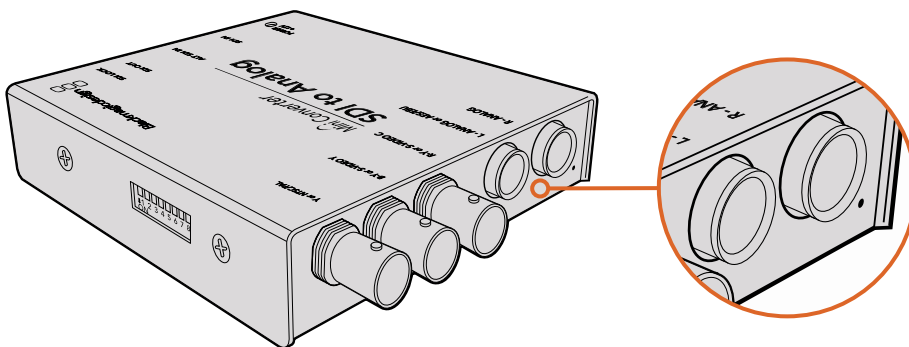


Conversores com uma entrada “Alt SDI” alternarão automaticamente para esta entrada secundária caso ocorra uma falha no sinal da entrada SD.

## Conectar Áudio

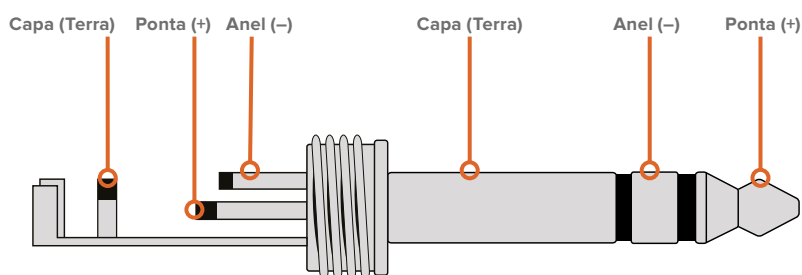
### Conectores de Áudio Tipo Jack

Alguns modelos Blackmagic Converter possuem conectores tipo jack de ¼”, assim você pode plugar áudio analógico balanceado externo ou AES/EBU digital com facilidade. Os conectores de ¼” são conectores TRS balanceados. A sigla TRS (do inglês Tip, Ring, Sleeve) significa Ponta, Anel e Capa, ou seja, os três contatos do conector tipo jack.



Caso o seu Blackmagic Converter possua conectores de áudio tipo jack, você pode plugar áudio balanceado analógico ou AES/EBU.

A figura abaixo mostra o cabeamento na parte interna de um conector macho tipo jack de ¼”, na hipótese de você querer fazer os seus próprios cabos de áudio.



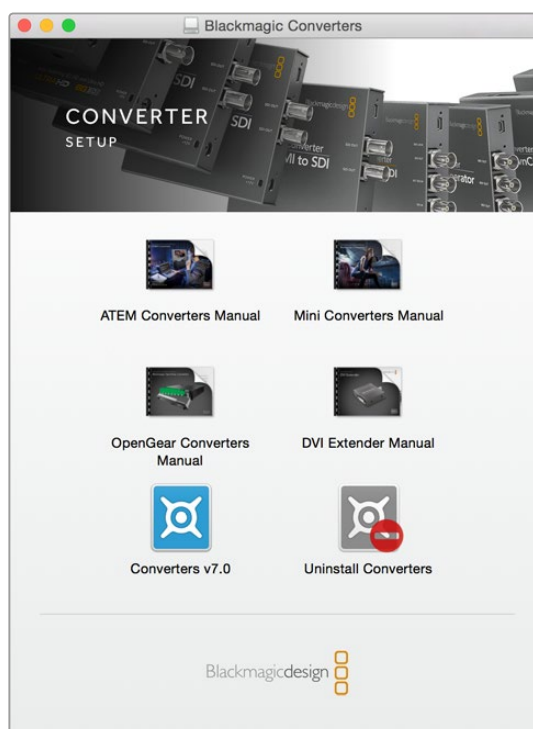
A ilustração do conector de áudio mostra o cabeamento dos pinos positivo, negativo e terra. Caso necessite inverter a polaridade do seu cabo de áudio analógico para que se adeque ao seu equipamento de áudio, basta trocar o cabeamento positivo e negativo nos pinos da ponta e do anel.

**OBSERVAÇÃO** Se estiver conectando áudio analógico estéreo, vale lembrar que, ao inverter a polaridade de um canal do conector tipo jack, será preciso fazer o mesmo no outro canal. Caso contrário, o áudio analógico estéreo ficará fora de fase.

## Instalar o Software de Administração

### Instalar o Blackmagic Converters Setup

O Blackmagic Converters Setup é utilizado para alterar as configurações e atualizar o software interno do seu conversor. As configurações disponíveis dependerão do conversor que estiver sendo utilizado. No entanto, alguns modelos Blackmagic Converter não necessitam de ajustes de configuração e não possuem software interno, não incluindo, portanto, um conector USB. Caso tenha um desses conversores, você pode ir diretamente para a seção correspondente ao seu modelo de conversor para obter mais informações.



O Blackmagic Converters Setup pode ser instalado em computadores Mac OS X e Windows.

### Instalação no Mac OS X

- 1 Baixe o programa Blackmagic Converters Setup em [www.blackmagicdesign.com/br](http://www.blackmagicdesign.com/br).
- 2 Descompacte o arquivo baixado e abra a imagem de disco resultante para revelar seus conteúdos.
- 3 Dê um clique duplo no instalador e siga as instruções para completar a instalação.
- 4 Quando a instalação do software for concluída, clique em “Close”. O Blackmagic Converters Setup agora está instalado.

### Instalação no Windows

- 1 Baixe o programa Blackmagic Converters Setup em [www.blackmagicdesign.com/br](http://www.blackmagicdesign.com/br).
- 2 Descompacte o arquivo baixado. Você verá uma pasta chamada Blackmagic Converters Setup contendo este manual em PDF e o instalador do utilitário Blackmagic Converters Setup.
- 3 Dê um clique duplo no instalador e siga as instruções para completar a instalação.
- 4 Clique em “Finish” para completar a instalação.

Blackmagic Converters Setup agora está pronto para uso.

## Atualizar o Software Interno

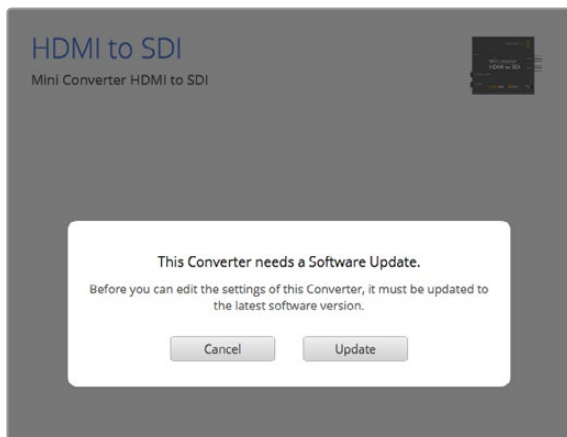
Caso o seu Blackmagic Converter possua um conector USB, pode ser que você tenha configurações adicionais para alterar. Também é possível atualizar o conversor com o software interno mais recente. A última versão do software está disponível para download na Central de Suporte Técnico da Blackmagic Design em [www.blackmagicdesign.com/br/support](http://www.blackmagicdesign.com/br/support).

Ao atualizar os Blackmagic Micro Converters, a alimentação será fornecida pela porta USB, então você não precisa se preocupar em conectá-la.

Nos modelos Blackmagic Mini Converter, Battery Converter e Mini Converter Heavy Duty, você precisará se certificar de que o seu conversor esteja conectado à alimentação antes de ligá-lo ao seu computador via USB.

- 1 Ligue o seu conversor.
- 2 Conecte um cabo USB do computador ao conversor e execute o programa Blackmagic Converter Setup.

O seu Blackmagic Converter será exibido na página principal do utilitário de configuração. Quando mais de um conversor estiver conectado via USB, clique nos ícones de seta à esquerda ou direita da página inicial para selecionar o conversor desejado.



Caso o Blackmagic Converters Setup detecte uma versão anterior do software interno do seu conversor, será solicitado que você o atualize.



Na ausência de um conversor conectado, a página inicial exibirá a mensagem “No Converters Found”. Mas, se houver um conversor conectado ao computador via USB sem alimentação, a página inicial poderá exibir a mensagem “No Power Connected”. Basta plugar a alimentação ao seu conversor para acessar as configurações.

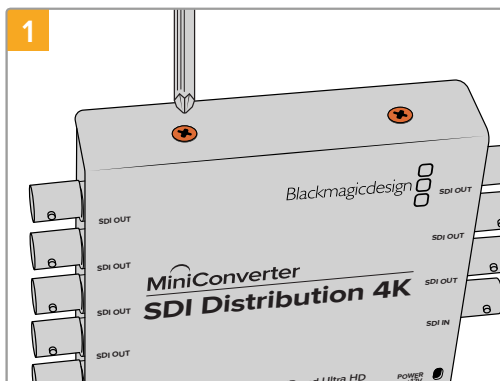
Caso o Blackmagic Converters Setup tenha um software interno mais recente que a versão instalada no seu Blackmagic Converter, você será solicitado a atualizá-lo. Basta seguir as instruções na tela e completar a atualização.

## Atualizar o Mini Converter SDI Distribution 4K

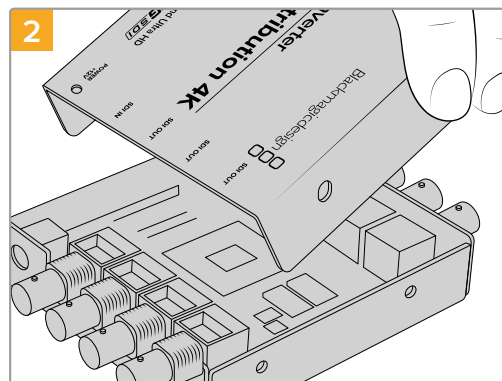
O Blackmagic Mini Converter SDI Distribution 4K possui um conector USB interno. Este miniconversor não possui ajustes configuráveis, então você nunca precisará conectar um software de configuração. Ocasionalmente, no entanto, serão lançadas atualizações do software interno para melhorar a compatibilidade com alguns dispositivos. Por exemplo, a versão 7.0.9 do Blackmagic Converters Software melhora a compatibilidade deste miniconversor com sinais 3G-SDI de nível A.

Caso alguma atualização se aplique ao equipamento que estiver utilizando com o Mini Converter SDI Distribution 4K, siga estes passos para acessar o conector USB do seu miniconversor:

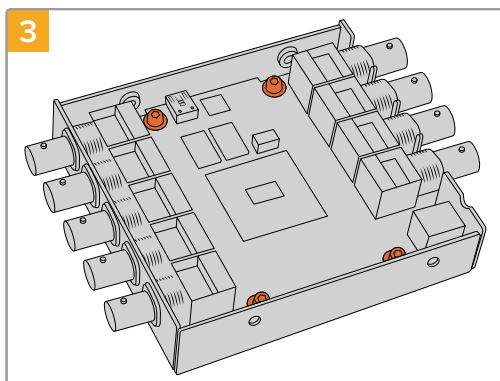
**OBSERVAÇÃO** Certifique-se de desconectar a alimentação antes de acessar o seu Mini Converter SDI Distribution 4K. É recomendável que este serviço seja realizado por um engenheiro qualificado, utilizando pulseira antiestática.



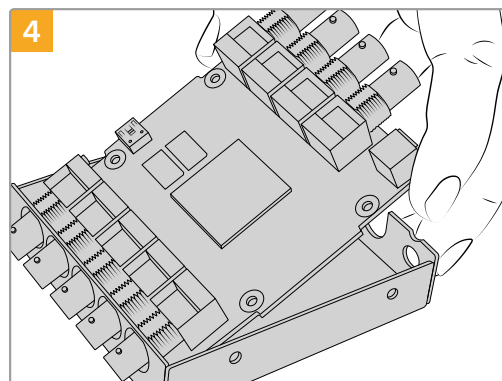
Utilizando uma chave Phillips, remova os quatro parafusos M3 nas laterais do Mini Converter SDI Distribution 4K.



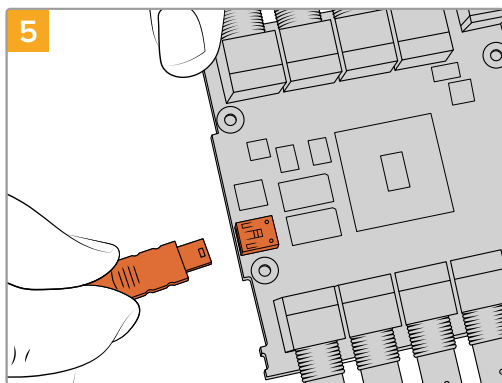
Deslize a tampa externa para removê-la.



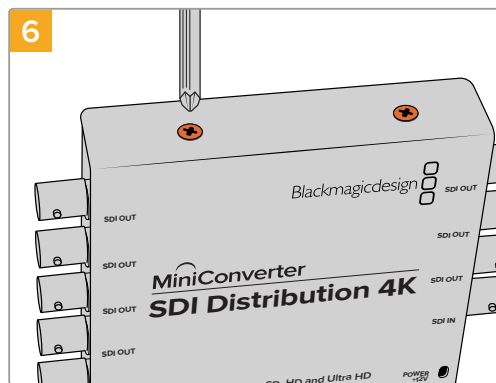
Utilizando uma chave Torx T10, remova os quatro parafusos que conectam a placa de circuito ao painel do Mini Converter SDI Distribution 4K.



Puxe a placa de circuito do painel cuidadosamente para acessar o conector USB.



Plugue a fonte de alimentação do seu Mini Converter SDI Distribution 4K e conecte-a a um computador utilizando um cabo USB. Atualize o software interno usando o mesmo procedimento de qualquer outro miniconversor.



Repita os passos 1 a 4 em ordem inversa para remontar o Mini Converter SDI Distribution 4K.

**OBSERVAÇÃO** Ao manusear a placa de circuito do seu Mini Converter SDI Distribution 4K, é importante segurá-la pelas bordas a fim de evitar curto circuito dos componentes internos.

## Alterar Configurações

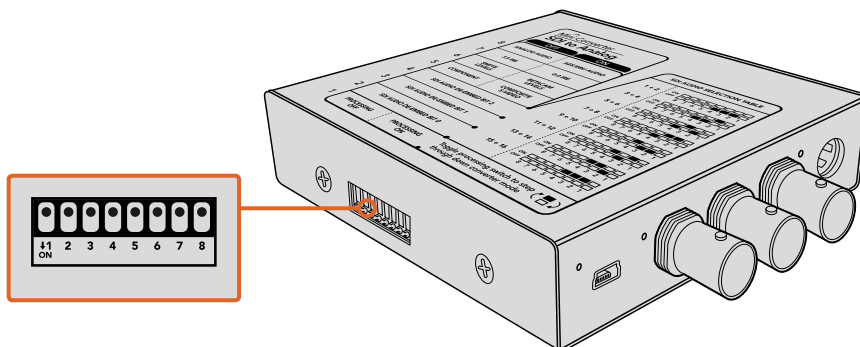
Caso o seu Blackmagic Converter possua configurações ajustáveis, existem duas maneiras de alterá-las. Você pode utilizar as chaves integradas na lateral do conversor, ou alterar as configurações utilizando o software utilitário Blackmagic Converters Setup. Essa opção também é utilizada para alterar quaisquer configurações que não possam ser efetuadas através das chaves, como níveis de áudio e vídeo analógico.

### Alterar Configurações Usando Chaves

Muitos modelos Blackmagic Converter possuem chaves interruptoras integradas.

Para alterar uma configuração, basta empurrar a chave para cima ou para baixo utilizando a ponta de uma caneta. Esta ação liga e desliga as chaves. Com 8 chaves, você dispõe de várias combinações, então é possível selecionar exatamente as configurações de conversão desejadas.

Você encontrará um diagrama das configurações de chave impresso na base do seu conversor. Certifique-se de que as configurações de chave correspondam à legenda ao observar os números das chaves de 1 a 8, da esquerda para a direita.

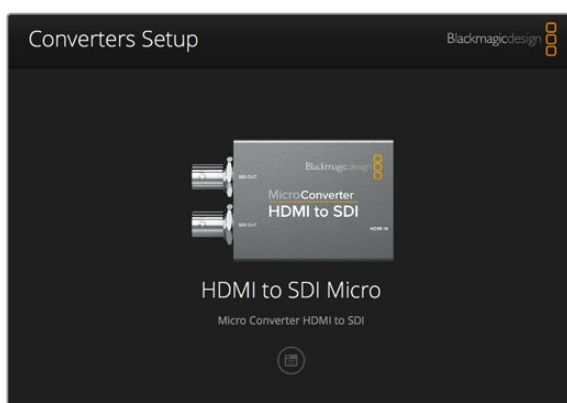


Altere configurações ajustando as chaves com uma caneta.

Para uma descrição completa das chaves e suas configurações, consulte a seção deste manual referente ao modelo do seu conversor. Apesar das configurações de chave estarem impressas na base do seu conversor, novos recursos em atualizações posteriores podem adicionar novas configurações, então vale a pena conferir a versão mais recente deste manual para as informações mais atuais. Você pode baixar a última versão na Central de Suporte Técnico da Blackmagic Design em [www.blackmagicdesign.com/br/support](http://www.blackmagicdesign.com/br/support).

## Alterar Configurações Usando Blackmagic Converters Setup

Uma vez que você instalou o Blackmagic Converters Setup no seu computador, conecte o utilitário de configuração ao seu Blackmagic Converter via USB.



O utilitário de configuração Blackmagic Converters Setup permite que você atualize o software interno do seu conversor e ajuste suas configurações utilizando um computador Mac OS X ou Windows.

Ao inicializar o programa, a primeira tela a ser exibida é a página inicial. Caso haja mais de um conversor conectado ao seu computador, selecione o conversor desejado clicando nas setas nas laterais esquerda e direita da página inicial do Blackmagic Converters Setup.

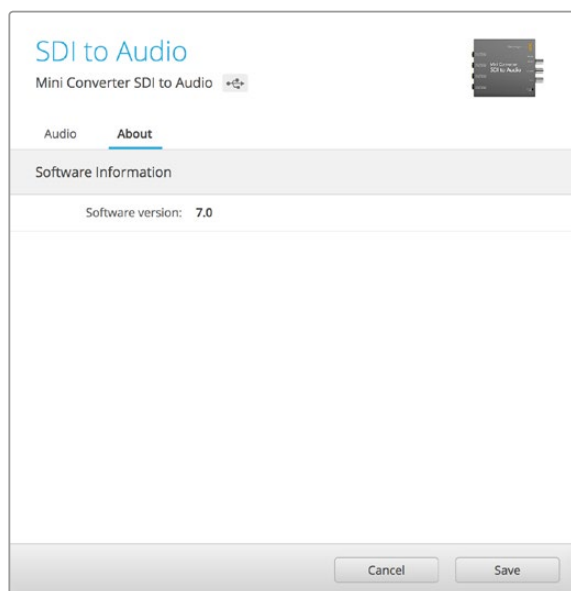
Para alterar configurações, clique no ícone “Settings” abaixo da imagem do seu Blackmagic Converter. Os ajustes serão salvos no conversor imediatamente. Assim, se houver queda de energia, as suas configurações serão restabelecidas logo que o fornecimento de energia for normalizado.

Embora a maioria dos ajustes seja configurada com as chaves integradas, algumas podem ser alteradas somente via o software de configuração, como os níveis de áudio e vídeo analógico.

**DICA** Os modelos Teranex Mini Converter são conversores 12G-SDI que suportam um número ainda maior de formatos de vídeo de até 4K DCI 60p. Para mais informações sobre como utilizar um Teranex Mini Converter, incluindo como alterar configurações através do utilitário Blackmagic Teranex Setup, consulte o manual dos modelos Teranex Mini Converter. Os manuais atualizados estão disponíveis para download através da Central de Suporte Técnico Blackmagic Design em [www.blackmagicdesign.com/br/support](http://www.blackmagicdesign.com/br/support)

## Aba About

A aba “About” do Blackmagic Converters Setup é encontrada em todos os modelos de conversores. Você pode utilizar as configurações nesta aba para dar um nome ao seu Blackmagic Converter. Basta clicar na caixa de texto “Name” e digitar o nome desejado. Clique em “Save” para confirmar a alteração.



A aba “About” no Blackmagic Converters Setup é utilizada para nomear o seu Blackmagic Converter. Você também pode verificar a versão do software de configuração.

O menu “Software Information” identifica a versão do software que o seu Blackmagic Converter está executando. Se o software interno do seu conversor for mais antigo que a versão atual incluída no Blackmagic Converters Setup, um botão de atualização será exibido para instalar a versão mais recente do software do conversor.

## Modelos Blackmagic Converter

Os conversores Blackmagic oferecem soluções de conversão para todos os tipos de condições. Por exemplo, os Mini Converters são leves e resistentes, então você pode montá-los em equipamentos ou bandejas de vídeo. Já os modelos Battery Converter são super-resistentes e contam com uma bateria recarregável integrada, ou seja, são portáteis e possuem alimentação autônoma. Os Blackmagic Micro Converters, por sua vez, são conversores SDI para HDMI e HDMI para SDI incrivelmente pequenos que podem ser alimentados via USB, sendo perfeitos para anexar a monitores e laptops.

As páginas seguintes contêm informações sobre o seu Blackmagic Converter, além das configurações de chaves e do software de configuração.

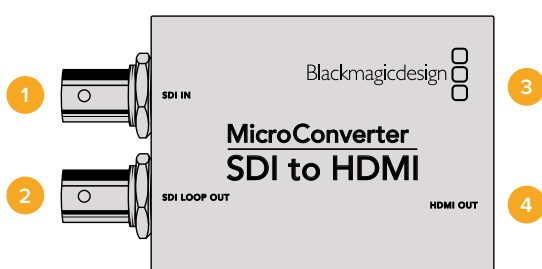
## Teranex Mini Converters

Os modelos Blackmagic Teranex Mini Converter são conversores 12G-SDI que suportam formatos de vídeo de até 4K DCI 60p. Estes conversores podem ser controlados através de um Teranex Mini Smart Panel com LCD, teclas e botão giratório integrados, e podem ser alimentados via Ethernet. Caso esteja buscando informações a respeito desses conversores, incluindo detalhes de como controlá-los através do utilitário Blackmagic Teranex Setup, consulte o manual dos modelos Teranex Mini Converter, disponível para download na Central de Suporte Técnico da Blackmagic Design [www.blackmagicdesign.com/br/support](http://www.blackmagicdesign.com/br/support).

# Blackmagic Micro Converters

## Micro Converter SDI to HDMI

Com o modelo Micro Converter SDI to HDMI, é possível conectar uma ampla variedade de displays HDMI e projetores de vídeo a equipamentos SDI. O seu Micro Converter SDI to HDMI detecta entre SDI SD, HD e 3G automaticamente e converte para HDMI com áudio embutido. Este pequeno conversor com qualidade broadcast é protegido por um chassi de alumínio resistente e é alimentado via USB, assim você pode alimentar o seu Blackmagic Micro Converter através do conector USB do seu laptop ou televisor utilizando um cabo microUSB comum. Os cabos microUSB são utilizados para conectar alguns modelos de telefone celular e laptops. Assim, se possuir um, você poderá utilizar o mesmo cabo. Caso o conector USB do seu cabo seja de um tipo diferente, o cabo correto pode ser adquirido na maioria das lojas de equipamentos eletrônicos.



## Conectores

- 1 SDI In**  
Conector BNC da entrada SDI principal.
- 2 SDI Loop**  
Saída loop through do conector BNC da sua entrada SDI.
- 3 Micro USB / Power**  
Fornece alimentação através do adaptador incluído ou qualquer dispositivo capaz de fornecer 5 V via um cabo USB padrão ou microUSB, como um laptop ou um televisor. Também conecta ao software Blackmagic Converters Setup através de computadores Mac OS X ou Windows.
- 4 HDMI Out**  
Saída de vídeo HDMI tipo A.

## Configurar o Blackmagic Converters Setup

O utilitário Blackmagic Converters Setup pode ser utilizado para ajustar configurações e atualizar o software do seu Micro Converter. Você pode acessar essas configurações alternando entre as abas “Video” e “About”.

A aba “About” é detalhada na seção ‘Ajustar Configurações’ deste manual.

A aba “Video” para o Micro Converter SDI to HDMI contém as configurações a seguir.

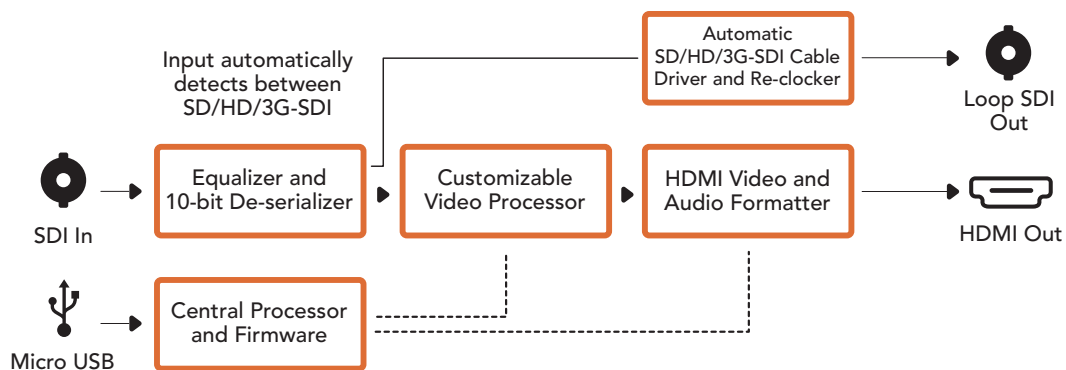


A configuração “Clip video output to legal levels” é selecionada por padrão. Essa configuração garante que a saída HDMI seja uma representação fiel da entrada SDI.

### Menu “Processing”

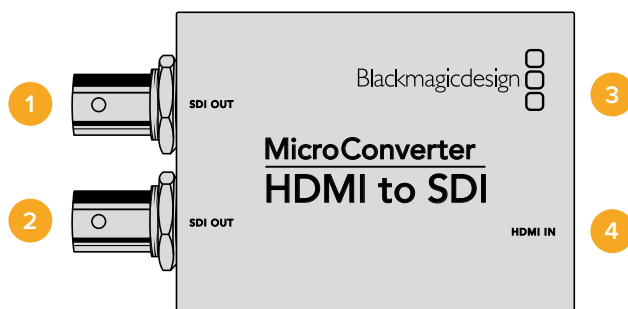
A caixa de verificação “Clip video output to legal levels” controla a clipagem da entrada SDI para garantir que ela se mantenha dentro dos níveis legais de HDMI e deve permanecer selecionada por padrão.

### Esquema de Ligações do Micro Converter SDI to HDMI



### Micro Converter HDMI to SDI

Você pode utilizar o Micro Converter HDMI to SDI para converter saídas HDMI de dispositivos, como câmeras HDV e consoles de videogame para SDI. Isso significa que você pode enviar sinais de vídeo HDMI via SDI utilizando os cabos SDI de maior extensão. Você pode inclusive adicionar saídas SDI a computadores compatíveis com HDMI. Este pequeno conversor com qualidade broadcast é protegido por um chassi de alumínio resistente e é alimentado via USB, assim você pode alimentar o seu Blackmagic Micro Converter através do conector USB do seu laptop ou televisão utilizando um cabo microUSB comum. Os cabos microUSB são utilizados para conectar alguns modelos de telefone celular e laptops. Assim, se possuir um, você poderá utilizar o mesmo cabo. Caso o conector USB do seu cabo seja de um tipo diferente, o cabo correto pode ser adquirido na maioria das lojas de equipamentos eletrônicos.



## Connectors

### 5 SDI OUT

Conector BNC da saída de vídeo SDI.

### 6 SDI OUT

Segunda saída SDI.

### 7 Micro USB / Power

Fornece alimentação a partir do adaptador incluído ou de qualquer dispositivo capaz de fornecer 5 V via um cabo padrão USB para Micro USB, como um laptop ou televisor. Também se conecta ao software Blackmagic Converters Setup via seu computador Mac OS X ou Windows para atualizar o software interno do Micro Converter.

### 8 HDMI In

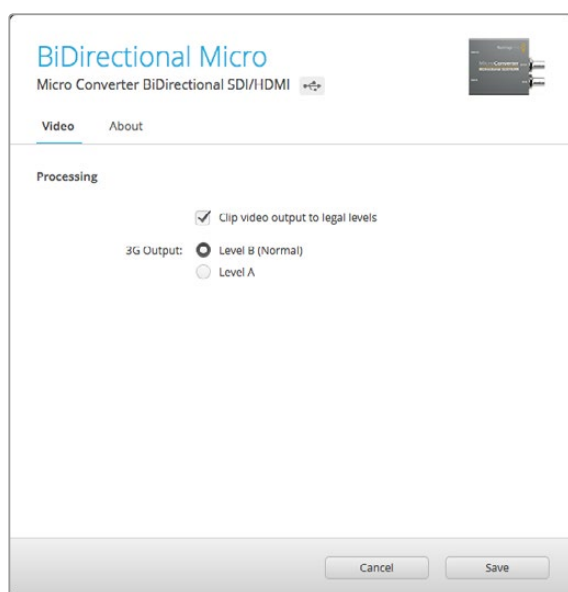
Entrada de vídeo HDMI tipo A.

## Configurar o Blackmagic Converters Setup

O utilitário Blackmagic Converters Setup pode ser utilizado para ajustar configurações e atualizar o software do seu Micro Converter. Você pode acessar essas configurações alternando entre as abas “Video” e “About”.

A aba “About” é detalhada na seção ‘Ajustar Configurações’ deste manual.

A aba “Video” para o Micro Converter HDMI to SDI contém as configurações a seguir.

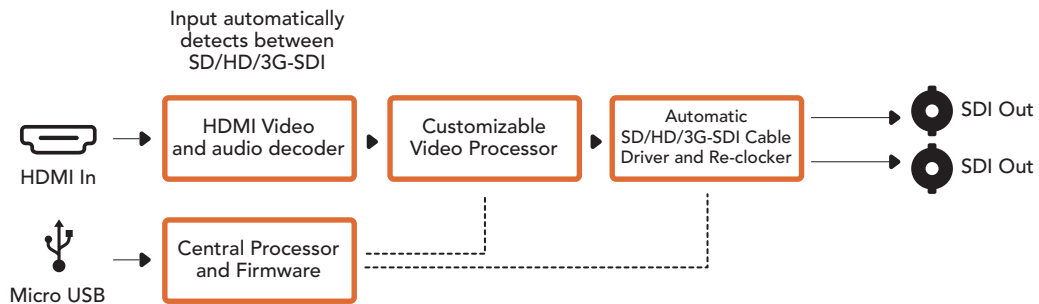


O recurso “Clip video output to legal levels” é marcado por padrão. Este recurso certifica que sua saída HDMI seja uma representação fiel da entrada SDI.

## Menu “Processing”

O menu “3G Output” permite selecionar nível A ou nível B na saída 3G-SDI. Esta configuração permite alterar o padrão da saída 3G-SDI para manter compatibilidade com equipamentos que podem receber apenas vídeo 3G-SDI nível A ou B. A configuração padrão é nível B.

## Esquema de Ligações do Micro Converter HDMI to SDI



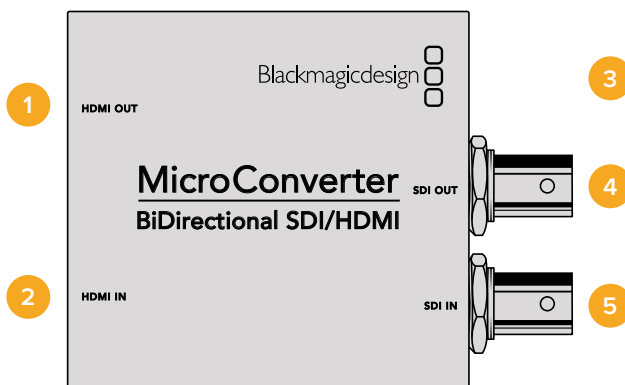
## Micro Converter BiDirectional SDI/HDMI

O Micro Converter BiDirectional SDI/HDMI converte vídeos SD e HD de HDMI para SDI e SDI para HDMI com áudio embutido simultaneamente. Você pode converter, por exemplo, a saída HDMI de uma câmera HDV para SDI com cabos de extensões maiores, ao mesmo tempo que converte uma alimentação de retorno SDI para HDMI para conexão com uma TV HDMI.

No caso de ter apenas uma entrada conectada, ambas as saídas SDI e HDMI tornam-se saídas loop para que você possa alimentar o sinal de entrada a outros equipamentos HDMI e SDI.

O seu Micro Converter BiDirectional SDI/HDMI detecta o formato de entrada SDI SD, HD e 3G automaticamente e determina o formato de saída correspondente.

Este pequeno conversor com qualidade broadcast é protegido por um chassi de alumínio resistente e é alimentado via USB, assim você pode alimentar o seu Blackmagic Micro Converter BiDirectional SDI/HDMI através do conector USB do seu laptop ou televisor utilizando um cabo microUSB comum. Os cabos microUSB são utilizados para conectar alguns modelos de telefone celular e laptops. Assim, se possuir um, você pode utilizar o mesmo cabo. Caso o conector USB do seu cabo seja de um tipo diferente, o cabo correto pode ser adquirido na maioria das lojas de equipamentos eletrônicos.





## Connectors

### 1 HDMI Out

Saída de vídeo HDMI tipo A.

### 2 HDMI In

Entrada de vídeo HDMI tipo A.

### 3 Micro USB / Power

Fornece alimentação através do adaptador incluído ou qualquer dispositivo capaz de fornecer 5 V via um cabo USB padrão ou microUSB, como um laptop ou um televisor. Também conecta ao software Blackmagic Converters Setup através de computadores Mac OS X ou Windows.

### 4 SDI Out

Saída de vídeo SDI via conector BNC

### 5 SDI In

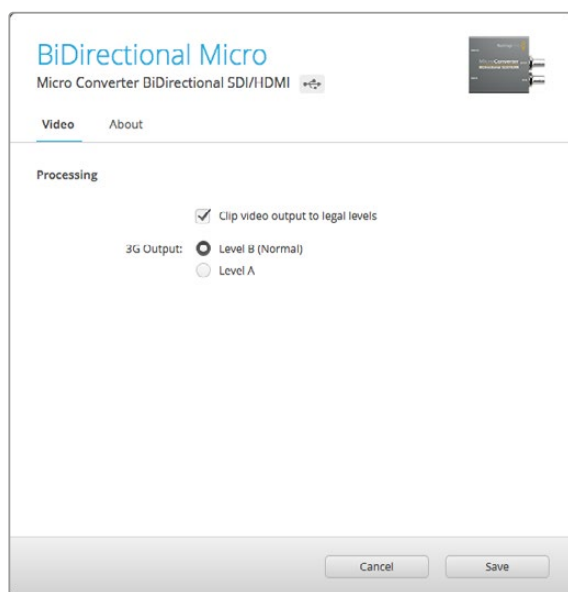
Entrada de vídeo SDI via conector BNC.

## Configurar o Blackmagic Converters Setup

O utilitário Blackmagic Converters Setup pode ser utilizado para ajustar configurações e atualizar o software do seu Micro Converter. Você pode acessar essas configurações alternando entre as abas “Video” e “About”.

A aba “About” é detalhada na seção ‘Ajustar Configurações’ deste manual.

A aba “Video” para o Micro Converter BiDirectional SDI/HDMI contém as configurações a seguir.



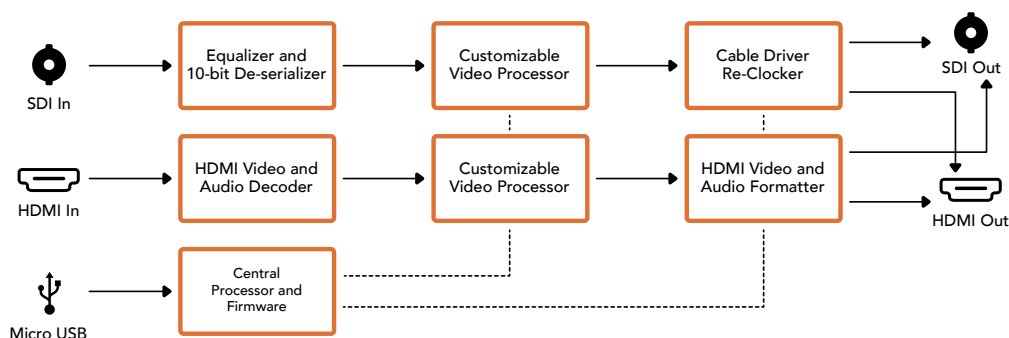
A configuração “Clip video output to legal levels” é selecionada por padrão. Essa configuração garante que a saída HDMI seja uma representação fiel da entrada SDI

### Menu “Processing”

A caixa de verificação “Clip video output to legal levels” controla a clípedagem da entrada SDI para garantir que ela se mantenha dentro dos níveis legais de HDMI e deve permanecer selecionada por padrão.

O menu “3G Output” permite selecionar nível A ou nível B na saída 3G-SDI. Esta configuração permite alterar o padrão da saída 3G-SDI para manter compatibilidade com equipamentos que podem receber apenas vídeo 3G-SDI nível A ou B. A configuração padrão é nível B.

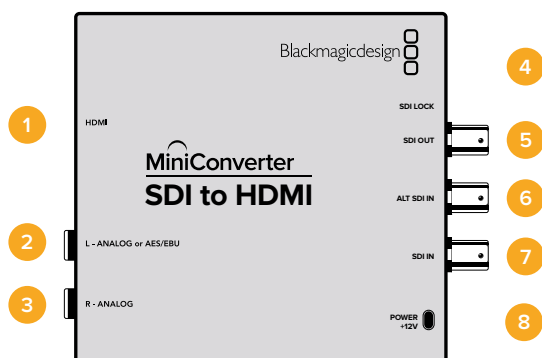
## Micro Converter BiDirectional SDI/HDMI Block Diagram



# Blackmagic Mini Converters

## Mini Converter SDI to HDMI

Com o modelo Micro Converter SDI to HDMI, é possível conectar uma ampla variedade de displays HDMI e projetores de vídeo a equipamentos baseados em SDI. O seu Micro Converter SDI to HDMI detecta SDI SD, HD e 3G automaticamente e converte para HDMI com áudio embutido, além de possuir saída de áudio AES/EBU balanceado ou analógico.



## Conectores

- 1 HDMI**  
Saída de vídeo HDMI tipo A.
- 2 L - ANALOG or AES/EBU**  
Canal esquerdo de áudio analógico balanceado, ou entrada de áudio digital AES/EBU via conector tipo jack de 1/4".
- 3 R - ANALOG**  
Canal direito de áudio analógico balanceado via conector tipo jack de 1/4".
- 4 MINI-B USB PORT**  
Conecta ao software Converters Setup através de computadores Mac OS X ou Windows. O software interno do Mini Converter também pode ser atualizado utilizando a porta USB.
- 5 SDI OUT**  
Saída de vídeo SDI em um conector BNC.

- 6 ALT SDI IN**  
Entrada SDI redundante fornecida como backup opcional.
- 7 SDI IN**  
Entrada SDI principal.
- 8 POWER +12V**  
Entrada da fonte de alimentação de 12 volts.

## Chaves

### Chave 8 - Analog Audio, AES/EBU Audio

Selecione "OFF" na chave 8 para áudio analógico balanceado ou "ON" para saída de áudio digital AES/EBU.

### Chave 4 - SDI Audio De-Embed Bit 2

As chaves 4, 3 e 2 são agrupadas para fornecer oito combinações ON/OFF. As oito combinações diferentes possibilitam que oito pares de canais de áudio independentes sejam separados da sua entrada SDI para saída como áudio HDMI, analógico ou AES/EBU.

### Chave 3 - SDI Audio De-Embed Bit 1

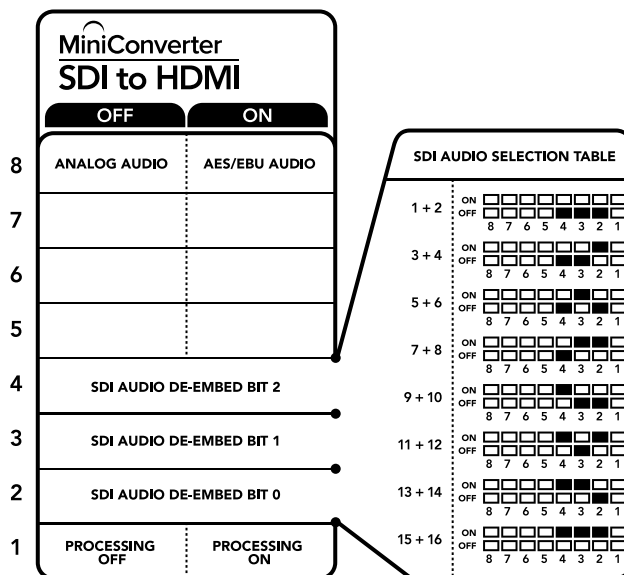
Veja a descrição da chave 4.

### Chave 2 - SDI Audio De-Embed Bit 0

Veja a descrição da chave 4.

### Chave 1 - Processing Off - Processing On

Esta chave não é utilizada.



A legenda das chaves na base do seu conversor fornece todas as informações necessárias para ajustar as configurações de conversão.

## Exemplo de Configurações das Minichaves

Ao configurar o seu Backmagic Mini Converter, experimente diferentes combinações de chaves para separar os canais de áudio SDI 1 e 2 e converter para analógico posicionando as chaves 8, 4, 3 e 2 em "OFF".

## Tabela de Seleção de Áudio SDI

Canais de Áudio	Chave 4	Chave 3	Chave 2	Diagrama
1 e 2	OFF	OFF	OFF	
3 e 4	OFF	OFF	ON	
5 e 6	OFF	ON	OFF	
7 e 8	OFF	ON	ON	
9 e 10	ON	OFF	OFF	
11 e 12	ON	OFF	ON	
13 e 14	ON	ON	OFF	
15 e 16	ON	ON	ON	

## Configurar o Blackmagic Converters Setup

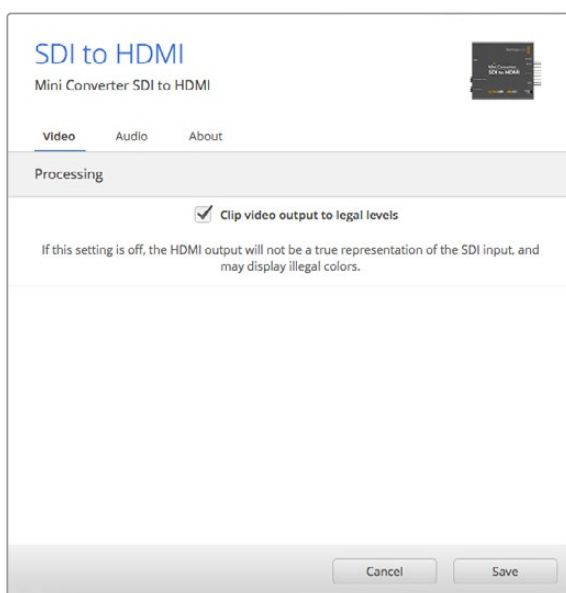
O utilitário Converters Setup pode ser utilizado para ajustar configurações e atualizar o software do seu Mini Converter. Você pode acessar essas configurações alternando entre as abas “Video” e “About”.

A aba “About” é detalhada na seção ‘Ajustar Configurações’ deste manual.

A aba “Video” para o Micro Converter SDI to HDMI contém as configurações a seguir.

### Menu “Processing”

A caixa de verificação “Clip Video Output to Legal Levels” controla a clipagem da entrada SDI para garantir que ela se mantenha dentro dos níveis legais para HDMI e deve permanecer selecionada por padrão.

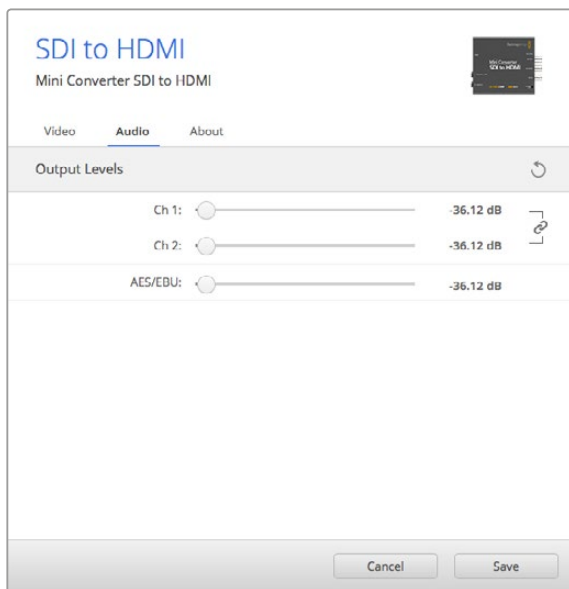


A configuração “Clip video output to legal levels” é selecionada por padrão. Isso garante que a sua saída de vídeo HDMI permaneça dentro dos níveis legais.

A aba “Audio” para o Mini Converter SDI to HDMI contém as configurações a seguir.

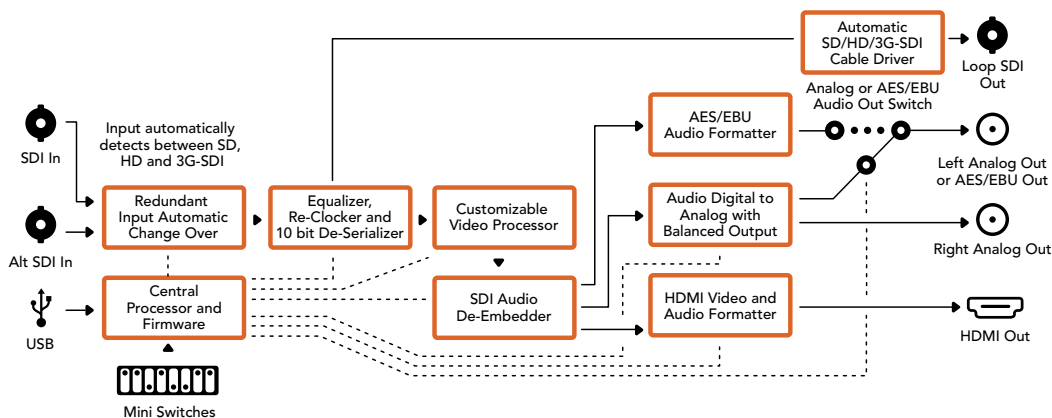
### Menu “Output Levels”

Este menu permite ajustar o ganho na saída de áudio. Você pode ajustar os níveis de áudio por canal independentemente, ou em pares, ao clicar no ícone de link ao lado dos deslizadores. Para restaurar todos os níveis de áudio de volta a 0 dB, clique no botão “Reset” na parte superior do menu “Output Levels”.



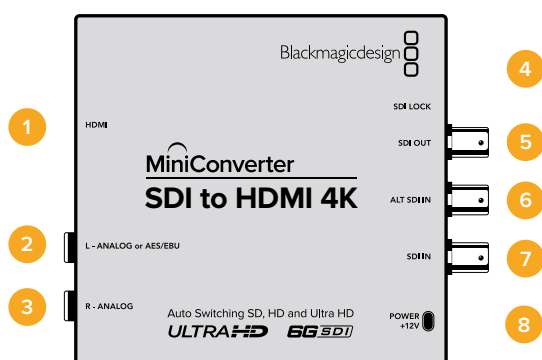
Use a aba “Audio” no Converters Setup para ajustar os níveis de áudio.

### Esquema de Ligações do Mini Converter SDI to HDMI



### Mini Converter SDI to HDMI 4K

Com os modelos Mini Converter SDI to HDMI 4K e SDI to HDMI 4K Heavy Duty, é possível conectar uma ampla variedade de displays HDMI e projetores de vídeo a equipamentos SDI. O seu Mini Converter SDI to HDMI 4K detecta SDI SD, HD, 3G e 6G automaticamente e converte para HDMI com áudio embutido, e ainda possui saída de áudio AES/EBU balanceado ou analógico. O recurso HDMI Instant Lock (Trava Instantânea HDMI) permite que você bloqueie a saída HDMI para garantir que a alteração de fontes que utilizam o mesmo formato seja limpa e livre de falhas. Caso seu conversor detecte uma TV ou monitor HD conectado à saída HDMI e exista uma fonte Ultra HD conectada à entrada SDI, a fonte Ultra HD será convertida automaticamente para que possa ser visualizada em um monitor HD.



## Conectores

- 1 HDMI**  
Saída de vídeo HDMI tipo A.
- 2 L - ANALOG or AES/EBU**  
Canal esquerdo de áudio analógico balanceado, ou saída de áudio digital AES/EBU via conector tipo jack de ¼".
- 3 R - ANALOG**  
Canal direito de áudio analógico balanceado via conector tipo jack de ¼".
- 4 MINI-B USB PORT**  
Conecta ao software Converters Setup através de computadores Mac OS X ou Windows. O software interno do Mini Converter também pode ser atualizado via a porta USB.
- 5 SDI OUT**  
Saída de vídeo SDI principal via conector BNC.
- 6 ALT SDI IN**  
Entrada SDI redundante fornecida como backup opcional.
- 7 SDI IN**  
Entrada SDI principal.
- 8 POWER +12V**  
Entrada da fonte de alimentação de 12 volts.

## Chaves

**DICA** No modelo Mini Converter Heavy Duty, as chaves são protegidas por uma capa emborrachada. Basta levantar a extremidade da capa para acessar as chaves.

As chaves do Mini Converter SDI to HDMI 4K oferecem as configurações a seguir.

### Chave 8 - Analog Audio, AES/EBU Audio

Selecione "OFF" na chave 8 para saída de áudio analógico balanceado ou "ON" para áudio digital AES/EBU.

### Chave 4 - SDI Audio De-Embed Bit 2

As chaves 4, 3 e 2 são agrupadas para fornecer oito combinações ON/OFF. As oito combinações diferentes possibilitam que oito pares de canais de áudio independentes sejam separados na entrada SDI para saída como áudio HDMI, analógico ou AES/EBU.

### Chave 3 - SDI Audio De-Embed Bit 1

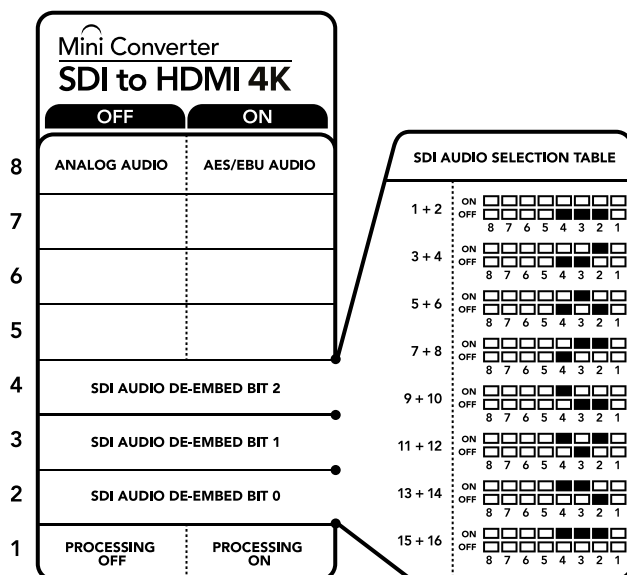
Veja a descrição da chave 4.

### Chave 2 - SDI Audio De-Embed Bit 0

Veja a descrição da chave 4.

### Chave 1 - Processing Off - Processing On

Esta chave não é utilizada.



A legenda das chaves na base do seu conversor fornece todas as informações necessárias para ajustar as configurações de conversão.

### Exemplo de Configurações das Minichaves

Ao configurar o seu Backmagic Mini Converter, experimente diferentes combinações de chaves para separar os canais de áudio SDI 1 e 2 e enviar áudio analógico posicionando as chaves 8, 4, 3 e 2 em “OFF”.

### Tabela de Seleção de Áudio SDI

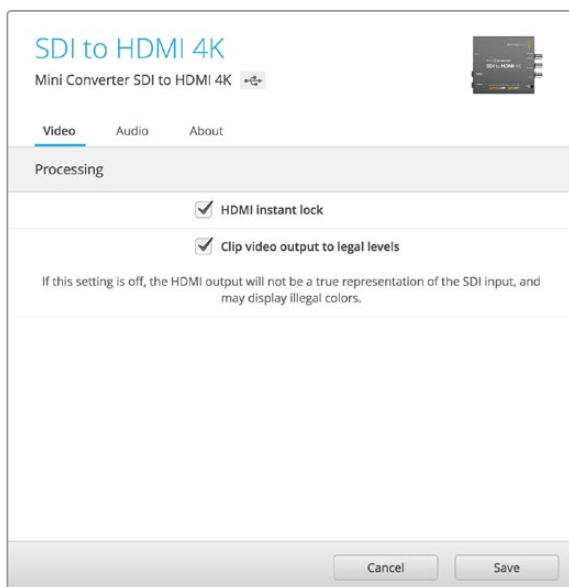
Canais de Áudio	Chave 4	Chave 3	Chave 2	Diagrama
1 e 2	OFF	OFF	OFF	ON OFF <input type="checkbox"/> <input type="checkbox"/> <input type="checkbox"/> <input type="checkbox"/> <input type="checkbox"/> <input type="checkbox"/> <input type="checkbox"/> <input type="checkbox"/> 8 7 6 5 4 3 2 1
3 e 4	OFF	OFF	ON	ON OFF <input type="checkbox"/> <input type="checkbox"/> <input type="checkbox"/> <input type="checkbox"/> <input type="checkbox"/> <input type="checkbox"/> <input type="checkbox"/> <input checked="" type="checkbox"/> 8 7 6 5 4 3 2 1
5 e 6	OFF	ON	OFF	ON OFF <input type="checkbox"/> <input type="checkbox"/> <input type="checkbox"/> <input checked="" type="checkbox"/> <input type="checkbox"/> <input type="checkbox"/> <input type="checkbox"/> <input type="checkbox"/> 8 7 6 5 4 3 2 1
7 e 8	OFF	ON	ON	ON OFF <input type="checkbox"/> <input type="checkbox"/> <input type="checkbox"/> <input checked="" type="checkbox"/> <input checked="" type="checkbox"/> <input type="checkbox"/> <input type="checkbox"/> 8 7 6 5 4 3 2 1
9 e 10	ON	OFF	OFF	ON OFF <input type="checkbox"/> <input type="checkbox"/> <input checked="" type="checkbox"/> <input type="checkbox"/> <input type="checkbox"/> <input type="checkbox"/> <input type="checkbox"/> <input type="checkbox"/> 8 7 6 5 4 3 2 1
11 e 12	ON	OFF	ON	ON OFF <input type="checkbox"/> <input type="checkbox"/> <input checked="" type="checkbox"/> <input type="checkbox"/> <input checked="" type="checkbox"/> <input type="checkbox"/> <input type="checkbox"/> 8 7 6 5 4 3 2 1
13 e 14	ON	ON	OFF	ON OFF <input type="checkbox"/> <input type="checkbox"/> <input checked="" type="checkbox"/> <input checked="" type="checkbox"/> <input type="checkbox"/> <input type="checkbox"/> <input type="checkbox"/> <input type="checkbox"/> 8 7 6 5 4 3 2 1
15 e 16	ON	ON	ON	ON OFF <input type="checkbox"/> <input type="checkbox"/> <input checked="" type="checkbox"/> <input checked="" type="checkbox"/> <input checked="" type="checkbox"/> <input type="checkbox"/> <input type="checkbox"/> 8 7 6 5 4 3 2 1

## Configurar o Blackmagic Converters Setup

O utilitário Converters Setup pode ser utilizado para ajustar configurações e atualizar o software do seu Mini Converter. Você pode acessar essas configurações alternando entre as abas “Video”, “Audio” e “About”.

A aba “About” é detalhada na seção ‘Ajustar Configurações’ deste manual.

A aba “Video” para o Mini Converter SDI to HDMI 4K contém as configurações a seguir.



A configuração “Clip video output to legal levels” é selecionada por padrão. Isso garante que a sua saída de vídeo HDMI permaneça dentro dos níveis legais.

### Menu “Processing”

#### • Trava Instantânea HDMI

Selecione esta caixa de verificação para habilitar o recurso HDMI Instant Lock (Trava Instantânea HDMI). Quando a Trava Instantânea HDMI estiver habilitada, o sinal de saída HDMI permanecerá ativo mesmo ao alterar as fontes. Isso significa que o seu conversor não precisa esperar o televisor ou monitor HDMI se casar com um novo sinal antes de exibir a saída de vídeo, pois o sinal HDMI já estará bloqueado. É importante notar que este recurso funciona apenas ao alternar entre fontes que possuam o mesmo formato de vídeo.

A Trava Instantânea HDMI pode causar um pequeno atraso no seu vídeo e áudio. Caso precise de uma saída sem atraso, ignore o recurso Trava Instantânea HDMI ao desmarcar a caixa de verificação.

#### • Clip Video Output to Legal Levels

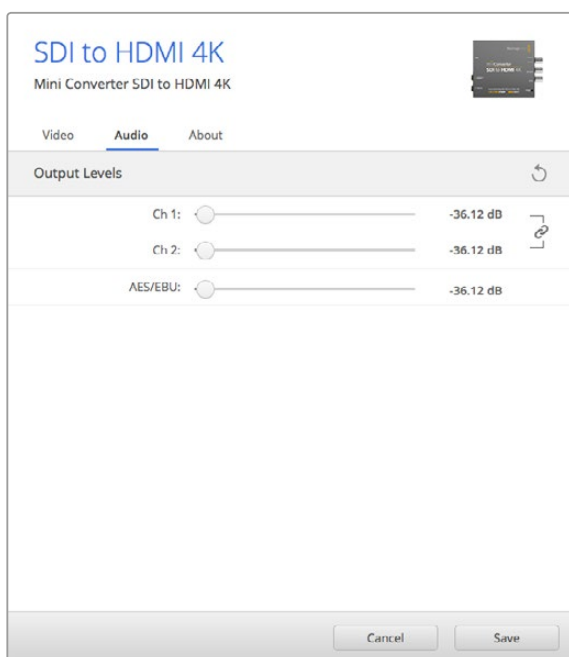
A caixa de verificação “Clip video output to legal levels” controla a clipagem da entrada SDI para garantir que ela se mantenha dentro dos níveis legais e deve permanecer selecionada por padrão.

### Menu “Output Levels”

Este menu permite ajustar o ganho na saída de áudio. Você pode ajustar os níveis de áudio por canal independentemente, ou em pares, ao clicar no ícone de link ao lado dos deslizadores. Para restaurar todos os níveis de áudio de volta a 0 dB, clique no botão “Reset” na parte superior do menu “Output Levels”.

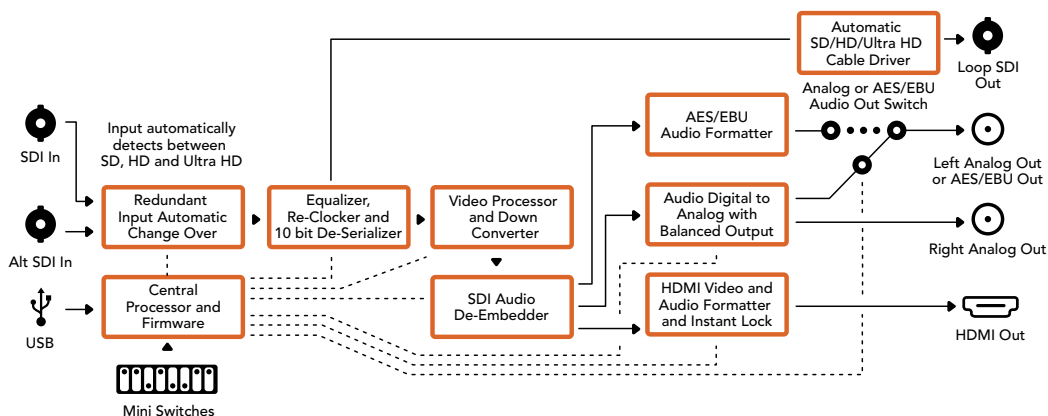
A aba “Audio” para o Mini Converter SDI to HDMI 4K contém as configurações a seguir.





Use a aba "Audio" no Converters Setup para ajustar os níveis de áudio.

## Esquema de Ligações do Mini Converter SDI to HDMI 4K

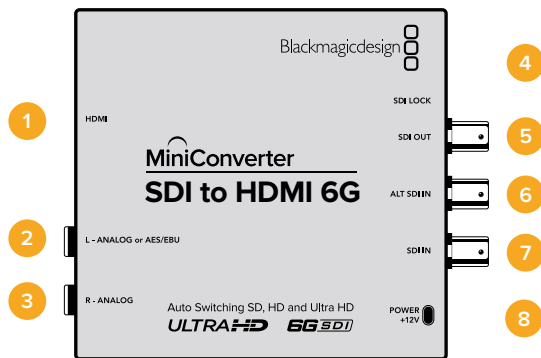


## Mini Converter SDI to HDMI 6G

Com o modelo Mini Converter SDI to HDMI 6G, é possível conectar uma ampla variedade de displays HDMI e projetores de vídeo a equipamentos SDI. O seu Mini Converter SDI to HDMI 6G detecta fontes de entrada SDI SD, HD, 3G e 6G automaticamente e converte para HDMI com áudio embutido, além de possuir saída de áudio AES/EBU balanceado ou analógico.

O recurso HDMI Instant Lock (Trava Instantânea HDMI) permite que você bloqueie a saída HDMI para garantir que a alteração de fontes que utilizam o mesmo formato seja limpa e livre de falhas. Se o seu conversor detectar uma TV ou monitor HD conectado à saída HDMI e existir uma fonte Ultra HD conectada à entrada SDI, a fonte Ultra HD será convertida automaticamente para que possa ser visualizada em um monitor HD.

Você também pode carregar LUTs 3D para adicionar looks, gradações e perfis de cores à sua saída convertida. A LUT 3D é uma tabela de linearização hardware completa de 33 pontos para manipulação de cor de altíssima precisão que pode ser usada até para calibrar televisores de uso doméstico com precisão para que possam ser utilizados em trabalhos de gradação importantes. A LUT 3D também permite conversões de espaço de cor, possibilitando que diferentes espaços de cor sejam usados com vários displays. O Mini Converter SDI to HDMI 6G possui duas LUTs por padrão, incluindo colorido para monocromático e espaço de cor padrão das câmeras Blackmagic para REC 709.



## Conectores

- 1 HDMI**  
Saída de vídeo HDMI tipo A.
- 2 L - ANALOG ou AES/EBU**  
Canal esquerdo de áudio analógico balanceado, ou saída de áudio digital AES/EBU via conector tipo jack de ¼".
- 3 R - ANALOG**  
Canal direito de áudio analógico balanceado via conector tipo jack de ¼".
- 4 MINI-B USB PORT**  
Conecta ao software Blackmagic Converters Setup através de computadores Mac OS X ou Windows. O software interno do Mini Converter também pode ser atualizado via a porta USB.
- 5 SDI OUT**  
Saída SDI via conector BNC.
- 6 ALT SDI IN**  
Entrada SDI redundante fornecida como backup opcional.
- 7 SDI IN**  
Entrada SDI principal.
- 8 POWER +12V**  
Entrada da fonte de alimentação de 12 volts.

## Chaves

As chaves do Mini Converter SDI to HDMI 6G oferecem as configurações a seguir.

### Chave 8 - Analog Audio, AES/EBU Audio

Selecione "OFF" na chave 8 para saída de áudio analógico balanceado ou "ON" para áudio digital AES/EBU.

### Chave 7 - LUT Off, LUT On

Configure a Chave 7 como "OFF" para desabilitar a LUT, ou "ON" para habilitar a LUT.

### Chave 6 - LUT 1, LUT2

Configure a Chave 6 como “OFF” para selecionar a LUT 1, ou “ON” para selecionar a LUT 2.

### Chave 5 - LUT On Loop Off, LUT On Loop On

Configure a Chave 5 como “OFF” para selecionar LUT On Loop Off, ou “ON” para selecionar LUT On Loop On.

### Chave 4 - SDI Audio De-Embed Bit 2

As chaves 4, 3 e 2 são agrupadas para fornecer oito combinações ON/OFF. As oito combinações diferentes possibilitam que oito pares de canais de áudio independentes sejam separados na entrada SDI para saída como áudio HDMI, analógico ou AES/EBU.

### Chave 3 - SDI Audio De-Embed Bit 1

Veja a descrição da chave 4.

### Chave 2 - SDI Audio De-Embed Bit 0

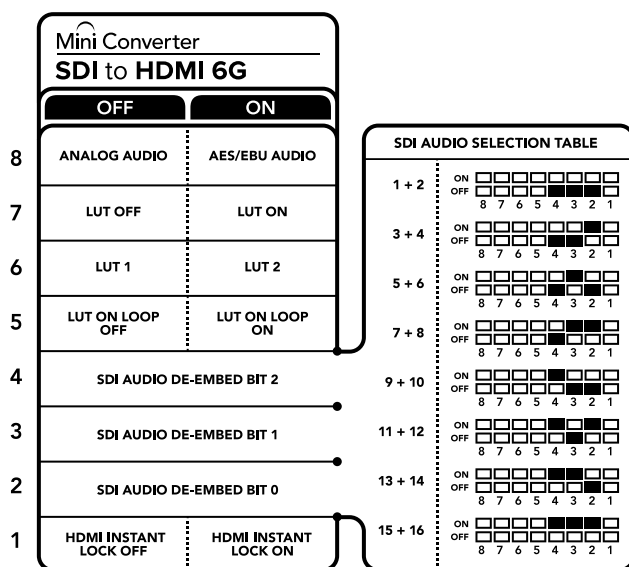
Veja a descrição da chave 4.

### Chave 1 - HDMI Instant Lock Off, HDMI Instant Lock On

Configure a Chave 1 como “OFF” para desativar a Trava Instantânea HDMI, ou “ON” para ativar a Trava Instantânea HDMI.

Quando a Trava Instantânea HDMI estiver habilitada, o sinal de saída HDMI permanece ativo mesmo ao alterar as fontes. Isso significa que o seu conversor não precisa esperar o televisor ou monitor HDMI se casar com um novo sinal antes de exibir a saída de vídeo, pois o sinal HDMI já está bloqueado. É importante notar que este recurso funciona apenas ao alternar entre fontes que possuam o mesmo formato de vídeo.

O recurso Trava Instantânea HDMI pode causar um pequeno atraso no seu vídeo e áudio. Caso precise de uma saída sem atraso, é possível evitar o recurso Trava Instantânea HDMI ao colocar a chave na posição HDMI Instant Lock OFF.



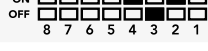


A legenda das chaves na base do seu conversor fornece todas as informações necessárias para ajustar as configurações de conversões.

### Exemplo de Configurações das Minichaves

Ao configurar o seu Backmagic Mini Converter, experimente diferentes combinações de chaves para separar os canais de áudio SDI 1 e 2 e fazer a saída para analógico posicionando as chaves 8, 4, 3 e 2 em “OFF”.

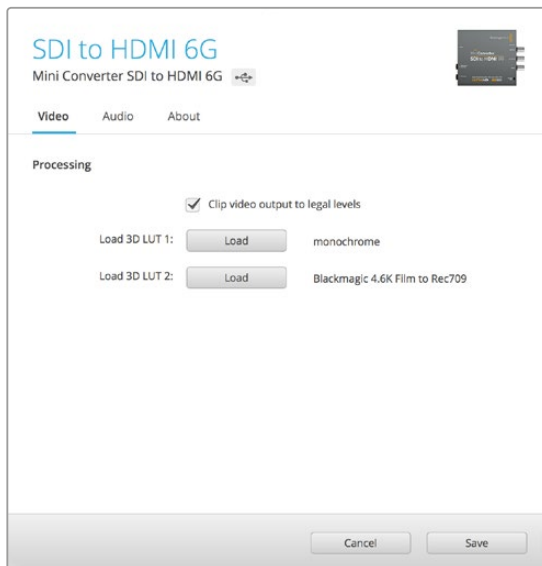
## Tabela de Seleção de Áudio SDI

Canais de Áudio	Chave 4	Chave 3	Chave 2	Diagrama
1 e 2	OFF	OFF	OFF	
3 e 4	OFF	OFF	ON	
5 e 6	OFF	ON	OFF	
7 e 8	OFF	ON	ON	
9 e 10	ON	OFF	OFF	
11 e 12	ON	OFF	ON	
13 e 14	ON	ON	OFF	
15 e 16	ON	ON	ON	

## Configurar o Blackmagic Converters Setup

O utilitário Converters Setup pode ser utilizado para ajustar configurações e atualizar o software do seu Mini Converter. Você pode acessar essas configurações alternando entre as abas “Video”, “Audio” e “About”. A aba “About” é detalhada na seção ‘Ajustar Configurações’ deste manual.

A aba “Video” para o Mini Converter SDI to HDMI 6G contém as configurações a seguir.



A configuração “Clip video output to legal levels” é selecionada por padrão. Isso garante que a sua saída de vídeo HDMI permaneça dentro dos níveis legais.

## Menu “Processing”

### • LUT 3D de 33 pontos

O seu Mini Converter SDI to HDMI 6G suporta arquivos LUT .cube que podem ser criados no programa DaVinci Resolve ou em outro software de correção de cores capaz de exportar arquivos .cube.

Você pode carregar duas LUTs separadas ao clicar no botão “Load” em cada compartimento LUT, selecionar o arquivo .cube desejado no seu computador e clicar “OK”. Clique em “Save” para confirmar as configurações. O nome do arquivo da LUT será exibido ao lado de cada botão “Load” para que você saiba qual LUT está sendo usada para LUT 1 e LUT 2.

### • O que é uma LUT 3D?

Uma LUT 3D, ou tabela de linearização 3D, é um arquivo que contém uma tabela de valores utilizada para transformar o espaço de cores de vídeo em um novo conjunto de valores de cor em um espaço cúbico 3D.

O cubo de cor contém todas as variações entre a mistura de cada cor primária, definidas entre três dimensões espaciais x, y e z. Isto significa que os canais RGB da entrada de vídeo SDI podem ser remapeados para qualquer outra cor de saída RGB na saída de vídeo HDMI. Isto é muito eficaz, pois significa que qualquer cor pode ser mapeada para uma outra cor. Dessa forma, você pode desempenhar ajustes de cores com alta precisão para calibrar displays ou carregar curvas de gama logarítmicas para exibição quando estiver trabalhando com diferentes tipos de arquivos de câmera raw no set e quiser visualizar gama linear.

Para mostrar como as LUTs 3D podem ser eficientes, uma das LUTs padrão pode converter sua entrada de vídeo em preto e branco. Ou seja, todas as cores RGB de entrada são remapeadas via a LUT 3D para valores de RGB preto e branco na saída HDMI. É possível criar as suas próprias LUTs 3D e carregá-las por meio do software de administração. E o DaVinci Resolve inclusive permite a conversão de uma configuração de gradação de cores para uma LUT 3D que pode ser carregada no seu Mini Converter SDI to HDMI 6G. Você pode enviar a LUT 3D pela saída loop SDI, ou seja, é possível até mesmo utilizar o seu Mini Converter como um processador de cores LUT 3D dedicado, mesmo que você não utilize a saída HDMI.

Para mais informações sobre como criar um arquivo de LUT 3D no formato .cube, consulte o manual do DaVinci Resolve, disponível para download no site da Blackmagic Design em [www.blackmagicdesign.com/br/support](http://www.blackmagicdesign.com/br/support).

### • Clip Video Output to Legal Levels

Esta caixa de verificação controla a clipagem da entrada SDI para garantir que ela se mantenha dentro dos níveis de legais para HDMI e deve permanecer selecionada por padrão.

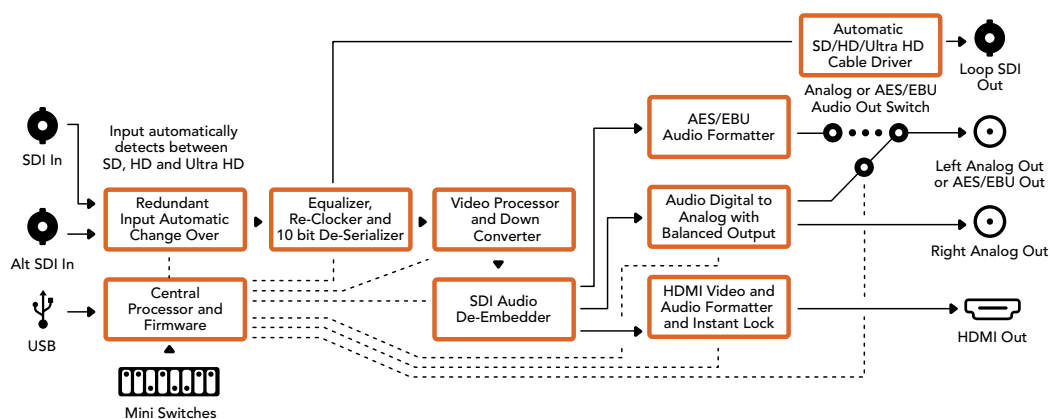
## Menu “Output Levels”

Este menu permite ajustar o ganho na saída de áudio. Você pode ajustar os níveis de áudio por canal independentemente, ou em pares, ao clicar no ícone de link ao lado dos deslizadores. Para restaurar todos os níveis de áudio de volta a 0 dB, clique no botão “Reset” na parte superior do menu “Output Levels”. A aba “Audio” do Mini Converter SDI to HDMI 6G contém as configurações a seguir.



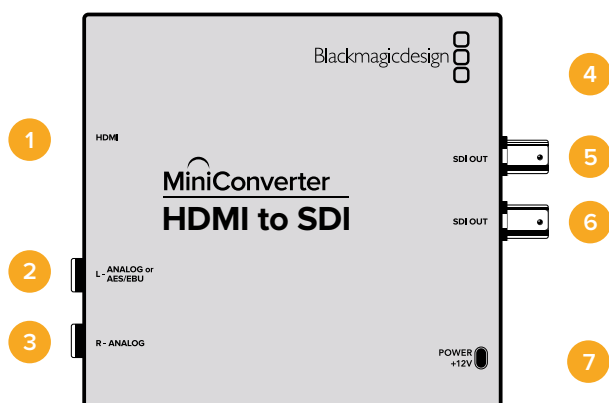
Use a aba "Audio" no Converters Setup para ajustar os níveis de áudio.

## Esquema de Ligações do Mini Converter HDMI to SDI 6G



## Mini Converter HDMI to SDI

O seu Mini Converter HDMI to SDI é capaz de converter saídas HDMI de dispositivos como câmeras HDV e consoles de videogame para SDI com a opção para áudio embutido de entradas de áudio HDMI, AES/EBU ou analógico balanceado. Isto significa que você pode enviar sinais de vídeo de HDMI via SDI usando os cabos SDI de extensão mais longa. Você pode até adicionar saídas SDI a computadores com compatibilidade HDMI. Este modelo também realiza conversão descendente de HD para SD.



## Conectores

- 1 HDMI**  
Entrada de vídeo HDMI tipo A.
- 2 L - ANALOG ou AES/EBU**  
Canal esquerdo de áudio analógico balanceado, ou entrada de áudio digital AES/EBU via conector tipo jack de ¼”.
- 3 R - ANALOG**  
Canal direito de áudio analógico balanceado através de conector tipo jack de ¼”.
- 4 MINI-B USB PORT**  
Conecta ao software Converters Setup através de computadores Mac OS X ou Windows. O software interno do Mini Converter também pode ser atualizado via a porta USB.
- 5 SDI OUT**  
Saída de vídeo SDI em um conector BNC.
- 6 SDI OUT**  
Segunda saída SDI.
- 7 POWER +12V**  
Entrada da fonte de alimentação de 12 volts.

## Chaves

As chaves do Mini Converter HDMI to SDI oferecem as configurações a seguir.

### Chave 8 - Analog Audio, AES/EBU Audio

Selecione “OFF” na chave 8 para áudio analógico balanceado ou “ON” para entrada de áudio digital AES/EBU. Para utilizar essas entradas, a chave 7 deve estar na posição “ON”.

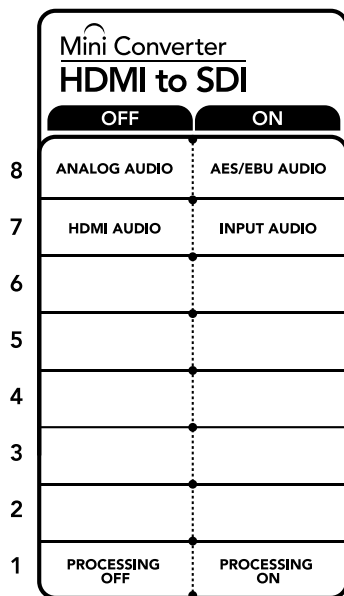
### Chave 7 - HDMI Audio - Input Audio

Selecione “OFF” na chave 7 para áudio HDMI embutido ou “ON” para áudio analógico ou AES/EBU.

### Chave 1 - Processing Off - Processing On

Realize a conversão descendente de HD para SD selecionando três tipos de proporção de tela na chave 1. Por exemplo, cada vez que você alterna entre “OFF” e “ON” você aplica proporção de tela anamórfica, corte central ou letterbox. Ao colocar a chave 1 na posição “OFF”, a conversão descendente é contornada e enviada em HD.

Quando conectado ao Blackmagic Converters Setup via USB, as suas configurações de conversão descendente são controladas pelo software. Para que o conversor memorize suas configurações de software, desconecte o dispositivo do computador, reinicie-o e configure a conversão descendente utilizando a minichave 1.



A legenda das chaves na base do seu conversor fornece todas as informações necessárias para ajustar as configurações de conversão.

## Configurar o Blackmagic Converters Setup

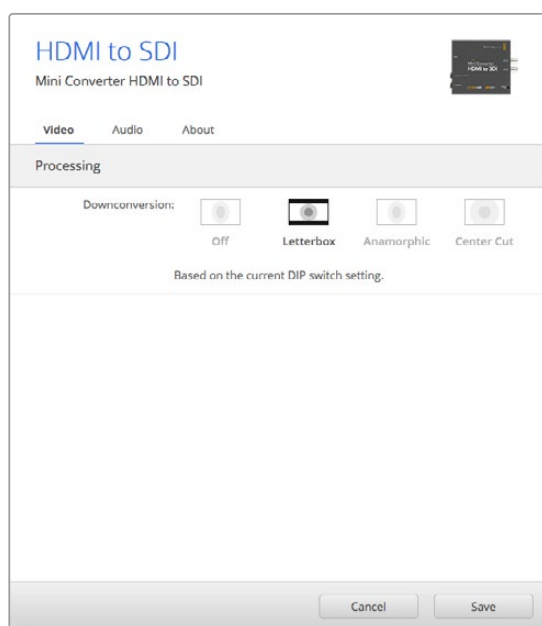
O utilitário Converters Setup pode ser utilizado para ajustar configurações e atualizar o software do seu Mini Converter. Você pode acessar essas configurações alternando entre as abas “Video”, “Audio” e “About”.

A aba “About” é detalhada na seção ‘Ajustar Configurações’ deste manual.

A aba “Video” para o Mini Converter HDMI to SDI contém as configurações a seguir.

### Menu “Processing”

Este menu permite selecionar a proporção de tela do conteúdo de conversão descendente HD para SD. As opções são “Letterbox”, “Anamorphic” (Anamórfico), “Center Cut” (Corte Central) ou “Off” (Desativado).



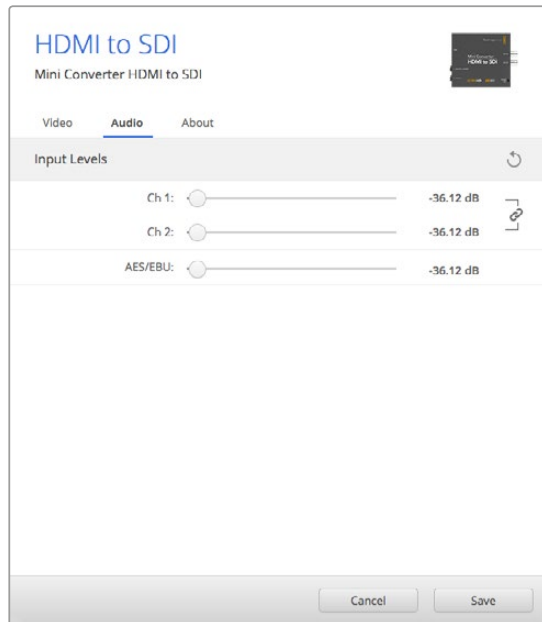
Use a aba “Video” no Converters Setup para ajustar as configurações de processamento.



A aba “Áudio” para o Mini Converter HDMI to SDI contém as configurações a seguir.

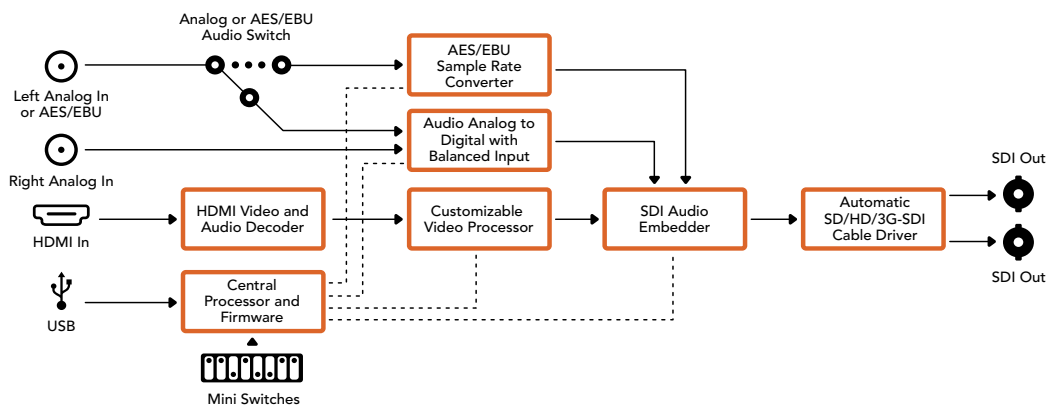
### Menu “Input Levels”

Este menu permite ajustar o ganho na entrada de áudio. Você pode ajustar os níveis de áudio por canal independentemente, ou em pares, ao clicar no ícone de link ao lado dos deslizadores. Para restaurar todos os níveis de áudio de volta a 0 dB, clique no botão “Reset” na parte superior do menu “Input Levels”.



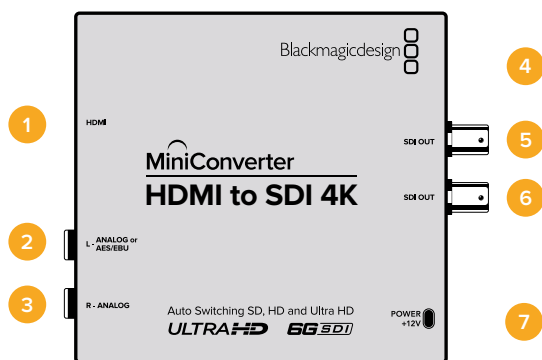
Use a aba “Áudio” no Converters Setup para ajustar os níveis de áudio.

### Esquema de Ligações do Mini Converter HDMI to SDI



## Mini Converter HDMI to SDI 4K

Você pode utilizar os modelos Mini Converter HDMI to SDI 4K e HDMI to SDI 4K Heavy Duty para converter saídas HDMI de dispositivos como câmeras HDV e consoles de videogame para SDI, com a opção de embutir áudio de entradas HDMI, AES/EBU e analógico balanceado. Isso significa que você pode enviar sinais de vídeo HDMI via SDI utilizando os cabos SDI de maior extensão. Você pode inclusive adicionar saídas SDI a computadores compatíveis com HDMI.



## Conectores

- 1 HDMI**  
Entrada de vídeo HDMI tipo A.
- 2 L - ANALOG ou AES/EBU**  
Canal esquerdo de áudio analógico balanceado, ou entrada de áudio digital AES/EBU via conector tipo jack de ¼".
- 3 R - ANALOG**  
Canal direito de áudio analógico balanceado via conector tipo jack de ¼".
- 4 MINI-B USB PORT**  
Conecta ao software Converters Setup através de computadores Mac OS X ou Windows. O software interno do Mini Converter também pode ser atualizado via a porta USB.
- 5 SDI OUT**  
Saída SDI via conector BNC.
- 6 SDI OUT**  
Segunda saída SDI.
- 7 POWER +12V**  
Entrada da fonte de alimentação de 12 volts.

## Chaves

**DICA** No modelo Mini Converter Heavy Duty, as chaves são protegidas por uma capa emborrachada. Basta levantar a extremidade da capa para acessá-las.

As chaves do Mini Converter HDMI to SDI 4K oferecem as configurações a seguir.

### Chave 8 - Analog Audio, AES/EBU Audio

Selecione "OFF" na chave 8 para áudio analógico balanceado ou "ON" para entrada de áudio digital AES/EBU. Para utilizar essas entradas, a chave 7 deve estar na posição "ON".

### Chave 7 - HDMI Audio - Input Audio

Selecione "OFF" na chave 7 para áudio HDMI embutido ou "ON" para áudio analógico ou AES/EBU.

## Chaves 2, 1 - Select Format Bit 1,0

Ao conectar uma fonte HDMI capaz de fazer a saída Ultra HD e HD, você pode configurar o seu conversor para forçar a saída de origem para um formato ou outro. Isto pode ser útil quando você deseja gravar ou exibir a área de trabalho do seu computador em dispositivos SDI em HD para ampliar e facilitar a visualização.

Apesar de parecer uma configuração de conversão ascendente ou descendente, na verdade, o seu conversor está instruindo o equipamento de origem a fazer a saída da fonte de vídeo na resolução HD ou Ultra HD nativa, sem conversão ascendente ou descendente.

Para forçar o seu vídeo de origem para HD, Ultra HD, ou deixar o conversor negociar a resolução ideal com o equipamento de origem, basta usar combinações das chaves 1 e 2.

As combinações de configurações são apresentadas a seguir.

### **AUTO - Chave 1 em OFF, Chave 2 em OFF.**

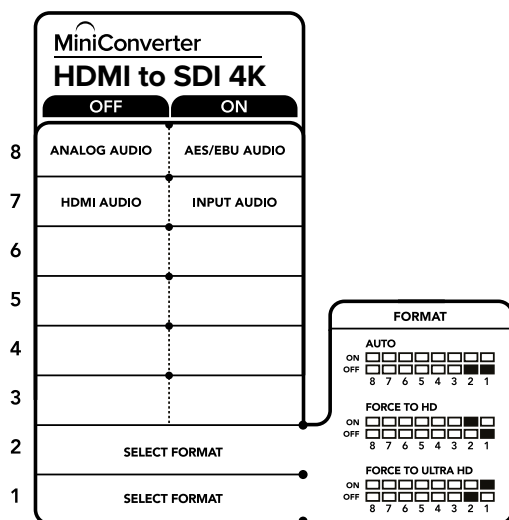
O conversor negociará uma resolução ideal HD ou Ultra HD com o equipamento de origem baseado na sua capacidade de saída.

### **FORÇAR PARA HD - Chave 1 em OFF, Chave 2 em ON.**

Caso seu equipamento HDMI de origem seja capaz de fazer a saída em HD ou Ultra HD, o conversor irá instruir o equipamento de origem a fazer a saída de vídeo HD.

### **FORÇAR PARA ULTRA HD - Chave 1 em ON, Chave 2 em OFF.**

Caso seu equipamento HDMI de origem seja capaz de fazer a saída em HD ou Ultra HD, o conversor irá instruir o equipamento de origem a fazer a saída de vídeo Ultra HD.



A legenda das chaves na base do seu conversor fornece todas as informações necessárias para ajustar as configurações de conversão.

## Configurar o Blackmagic Converters Setup

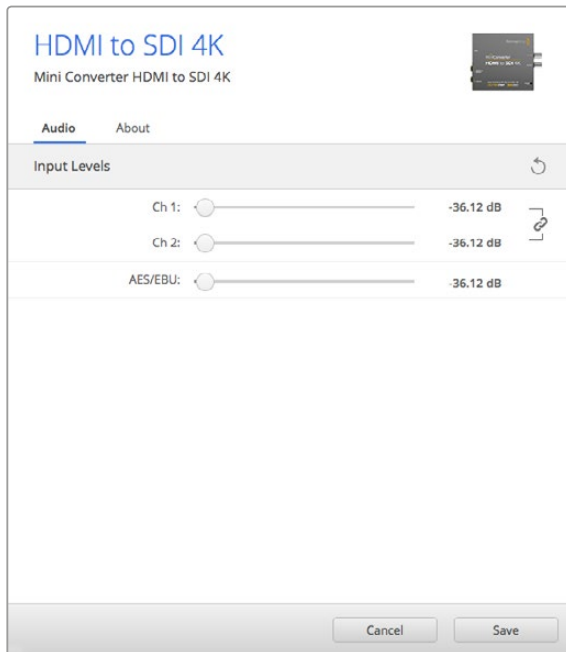
O utilitário Converters Setup pode ser utilizado para ajustar configurações e atualizar o software do seu Mini Converter. Você pode acessar essas configurações alternando entre as abas "Audio" e "About".

A aba "About" é detalhada na seção 'Ajustar Configurações' deste manual.

A aba "Audio" para o Mini Converter HDMI to SDI 4K contém as configurações a seguir.

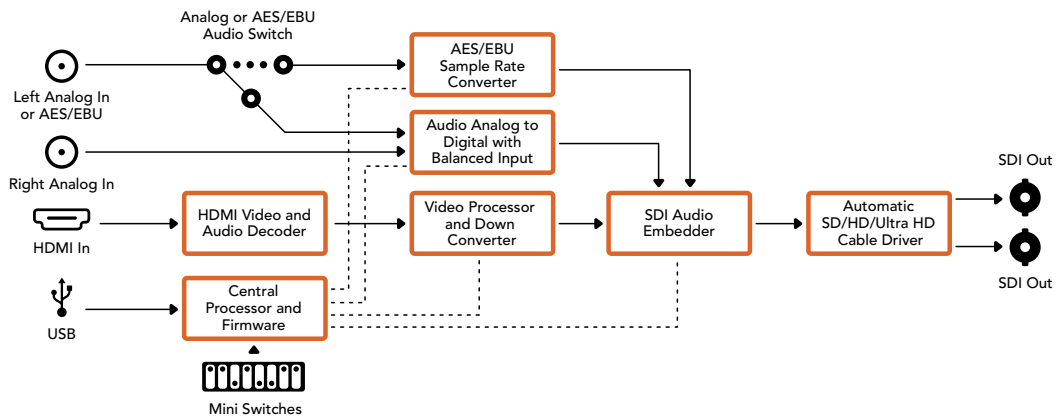
## Menu “Input Levels”

Este menu permite ajustar o ganho na entrada de áudio. Você pode ajustar os níveis de áudio por canal independentemente, ou em pares, ao clicar no ícone de link ao lado dos deslizadores. Para restaurar todos os níveis de áudio de volta a 0 dB, clique no botão “Reset” na parte superior do menu “Input Levels”.



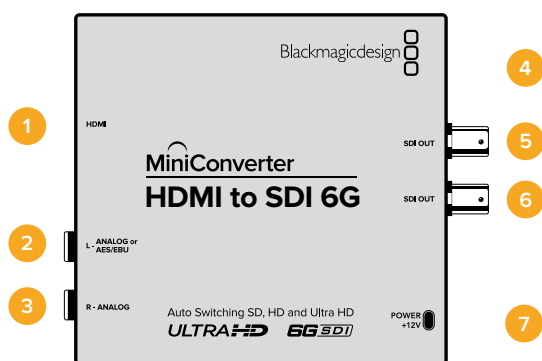
Use a aba “Áudio” no Converters Setup para ajustar os níveis de áudio.

## Esquema de Ligações do Mini Converter HDMI to SDI 4K



## Mini Converter HDMI to SDI 6G

Você pode utilizar os modelos Mini Converter HDMI to SDI 6G para converter saídas HDMI de dispositivos como câmeras HDV e consoles de videogame para SDI, com a opção de embutir áudio de entradas HDMI, AES/EBU e analógico balanceado. Isso significa que você pode enviar sinais de vídeo HDMI via SDI utilizando os cabos SDI de extensão mais longa. Você pode inclusive adicionar saídas SDI a computadores compatíveis com HDMI.



## Conectores

- 1 HDMI**  
Entrada de vídeo HDMI tipo A.
- 2 L - ANALOG ou AES/EBU**  
Canal esquerdo de áudio analógico balanceado, ou entrada de áudio digital AES/EBU via conector tipo jack de ¼".
- 3 R - ANALOG**  
Canal direito de áudio analógico balanceado via conector tipo jack de ¼".
- 4 MINI-B USB PORT**  
Conecta ao software Converters Setup através de computadores Mac OS X ou Windows. O software interno do Mini Converter também pode ser atualizado via a porta USB.
- 5 SDI OUT**  
Saída SDI via conector BNC.
- 6 SDI OUT**  
Segunda saída SDI.
- 7 POWER +12V**  
Entrada da fonte de alimentação de 12 volts.

## Chaves

As chaves do Mini Converter HDMI to SDI 6G oferecem as configurações a seguir.

### Chave 8 - Analog Audio, AES/EBU Audio

Selecione "OFF" na chave 8 para áudio analógico balanceado ou "ON" para entrada de áudio digital AES/EBU. Para utilizar essas entradas, a chave 7 deve estar na posição "ON".

### Chave 7 - HDMI Audio, Input Audio

Selecione "OFF" no chave 7 para áudio HDMI embutido ou "ON" para áudio analógico ou AES/EBU.

### Chave 6 - 3G Level B Output (Normal), 3G Level A Output

Configure a chave 6 como OFF para selecionar a saída 3G nível B, ou ON para selecionar a saída 3G nível A.

### Chaves 2, 1 - Select Format Bit 1,0

Ao conectar uma fonte HDMI capaz de transmitir Ultra HD e HD, você pode configurar o seu conversor para forçar a saída da origem em um desses formatos. Isto pode ser útil quando você deseja gravar ou exibir a área de trabalho do seu computador em dispositivos SDI em HD para ampliar e facilitar a visualização.

Apesar de parecer uma configuração de conversão ascendente ou descendente, na verdade, o seu conversor está instruindo o equipamento de origem a fazer a saída da fonte de vídeo na resolução HD ou Ultra HD nativa, sem conversão ascendente ou descendente.

Para forçar o seu vídeo de origem para HD, Ultra HD, ou deixar o conversor negociar a resolução ideal com o equipamento de origem, basta usar combinações das chaves 1 e 2.

A As combinações de configurações são apresentadas a seguir.

#### **AUTO - Chave 1 em OFF, Chave 2 em OFF**

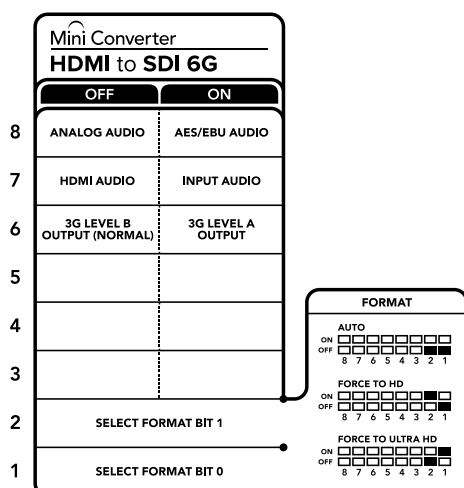
O conversor negociará uma resolução ideal em HD ou Ultra HD com o equipamento de origem baseado na sua capacidade de saída.

#### **FORÇAR PARA HD - Chave 1 em OFF, Chave 2 em ON**

Caso seu equipamento HDMI de origem seja capaz de fazer a saída em HD ou Ultra HD, o conversor irá instruir o equipamento de origem a fazer a saída de vídeo HD.

#### **FORÇAR PARA ULTRA HD - Chave 1 em ON, Chave 2 em OFF**

Caso seu equipamento HDMI de origem seja capaz de fazer a saída em HD ou Ultra HD, o conversor irá instruir o equipamento de origem a fazer a saída de vídeo Ultra HD.



A legenda das chaves na base do seu conversor fornece todas as informações necessárias para ajustar as configurações de conversão.

## Configurar o Blackmagic Converters Setup

O utilitário Converters Setup pode ser utilizado para ajustar configurações e atualizar o software do seu Mini Converter. Você pode acessar essas configurações alternando entre as abas “Audio” e “About”. A aba “About” é detalhada na seção ‘Ajustar Configurações’ deste manual. A aba “Audio” para o Mini Converter HDMI to SDI 6G contém as configurações a seguir.

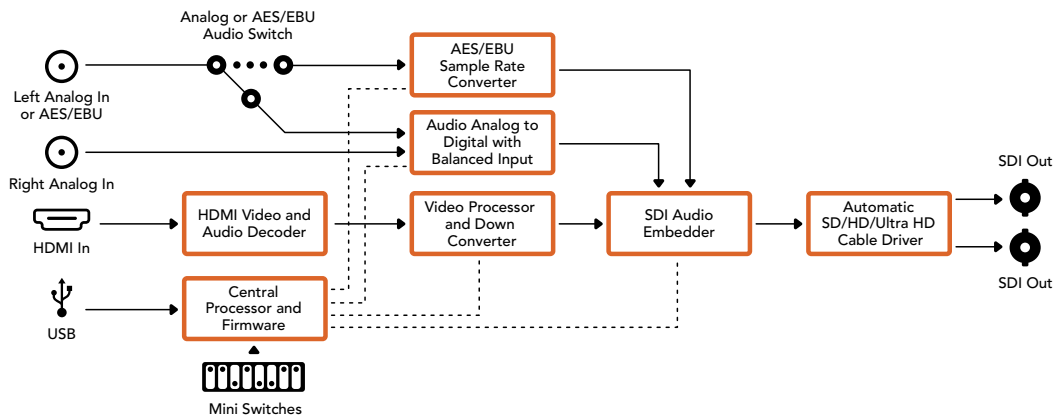
### Menu “Input Levels”

Este menu permite ajustar o ganho na entrada de áudio. Você pode ajustar os níveis de áudio por canal independentemente, ou em pares, ao clicar no ícone de link ao lado dos deslizadores. Para restaurar todos os níveis de áudio de volta a 0 dB, clique no botão “Reset” na parte superior do menu “Input Levels”.



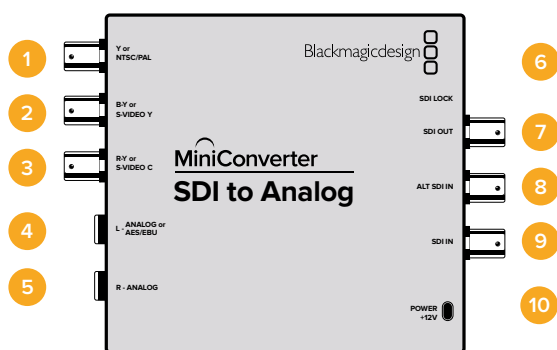
Use a aba “Audio” no Converters Setup para ajustar os níveis de áudio.

## Esquema de Ligações do Mini Converter HDMI to SDI 6G



## Mini Converter SDI to Analog

O Blackmagic Mini Converter SDI to Analog converte vídeos SDI SD/HD para analógico componente, NTSC e PAL, com saída de áudio analógico e AES/EBU balanceado. O seu conversor conecta-se facilmente a qualquer monitor de vídeo analógico e decks, como Betacam SP e VHS. Um conversor descendente de hardware permite conectar vídeo SDI HD a equipamentos SD analógicos. Você pode até fazer a saída de pares de áudio analógico a partir de 16 canais de áudio SDI desembutados.



## Conectores

- 1 Y ou NTSC/PAL**  
Saída Y de componente analógico, ou de NTSC/PAL composto via um conector BNC.
- 2 B-Y ou S-VIDEO Y**  
Saída B-Y de componente analógico, ou Y de S-Video via conector BNC.
- 3 R-Y ou S-VIDEO C**  
Saída R-Y de componente analógico, ou C de S-Video via conector BNC.
- 4 L - ANALOG ou AES/EBU**  
Canal esquerdo de áudio analógico balanceado, ou saída de áudio digital AES/EBU via conector tipo jack de ¼".
- 5 R - ANALOG**  
Canal direito de áudio analógico balanceado via conector tipo jack de ¼".
- 6 MINI-B USB PORT**  
Conecta ao software Converters Setup através de computadores Mac OS X ou Windows. O software interno do Mini Converter também pode ser atualizado via a porta USB.
- 7 SDI OUT**  
Saída de vídeo SDI em um conector BNC.
- 8 ALT SDI IN**  
Entrada SDI redundante fornecida como backup opcional.
- 9 SDI IN**  
Entrada SDI principal.
- 10 POWER +12V**  
Entrada da fonte de alimentação de 12 volts.

## Chaves

### Chave 8 - Analog Audio, AES/EBU Audio

Selecione "OFF" na chave 8 para áudio analógico balanceado ou "ON" para saída de áudio digital AES/EBU.

### Chave 7 - 7.5 IRE - 0.0 IRE

Usuários nos EUA e nos países que utilizam NTSC com configuração 7.5 devem selecionar "OFF". Caso você esteja trabalhando em um país que não utilize 7.5, coloque a chave 7 na posição "ON". Esta configuração afeta somente as saídas de vídeo composto e S-Video.

### Chave 6 - SMPTE Levels - Betacam Levels

Selecione "OFF" na chave 6 para níveis SMPTE ou "ON" para níveis Betacam. Níveis SMPTE são mais comuns e podem ser utilizados até por decks Betacam SP. Dessa forma, coloque a chave em Betacam somente se tiver certeza que níveis Betacam estejam sendo utilizados.



### Chave 5 - Component, Composite ou S-Video

Selecione "OFF" na chave 5 para vídeo componente analógico ou "ON" para as saídas de vídeo composto e S-Video.

Para exibir a entrada de vídeo HD nas saídas S-Video e de vídeo composto, a conversão descendente deve ser configurada como "ON". O vídeo componente analógico suporta tanto HD quanto SD.

### Chave 4 - SDI Audio De-Embed Bit 2

As chaves 4, 3 e 2 são agrupadas para fornecer oito combinações ON/OFF. As oito combinações diferentes possibilitam que oito pares de canais de áudio independentes sejam separados na entrada SDI.

### Chave 3 - SDI Audio De-Embed Bit 1

Veja a descrição da chave 4.

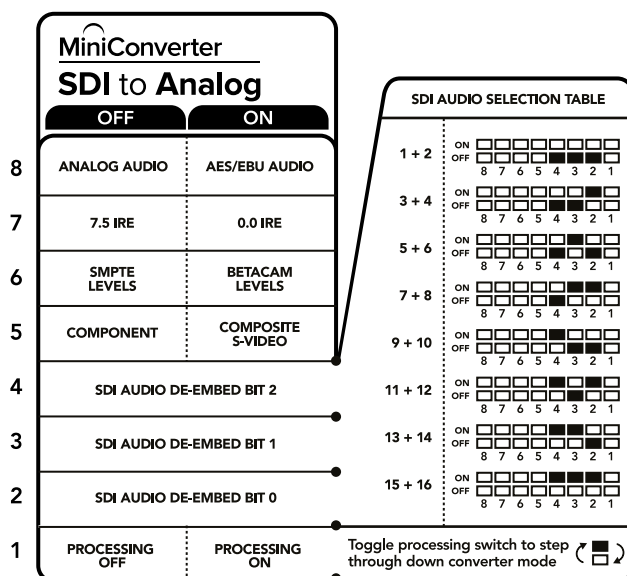
### Chave 2 - SDI Audio De-Embed Bit 0

Veja a descrição da chave 4.

### Chave 1 - Processing Off - Processing On

Faz a conversão descendente de HD para SD com três tipos de proporção de tela ao passar pela chave 1. Por exemplo, cada vez que você alterna entre "OFF" e "ON" você aplica proporção de tela anamórfica, corte central ou letterbox. Ao colocar a chave 1 na posição "OFF", a conversão descendente é contornada e enviada em HD.

Quando conectado ao Blackmagic Converters Setup via USB, as suas configurações de conversão descendente são controladas pelo software. Para que o conversor memorize as suas configurações de software, desconecte o dispositivo do computador, reinicie-o e configure a conversão descendente utilizando a chave 1.



A legenda das chaves na base do seu conversor fornece todas as informações necessárias para ajustar as configurações de conversão.

### Exemplo de Configurações das Minichaves

Ao configurar o seu Blackmagic Mini Converter, experimente diferentes combinações de chaves para fazer a saída de vídeo componente de alta definição e dos canais de áudio analógico 1 e 2 posicionando as chaves 8, 5, 4, 3 e 2 em "OFF".

## Tabela de Seleção de Áudio SDI

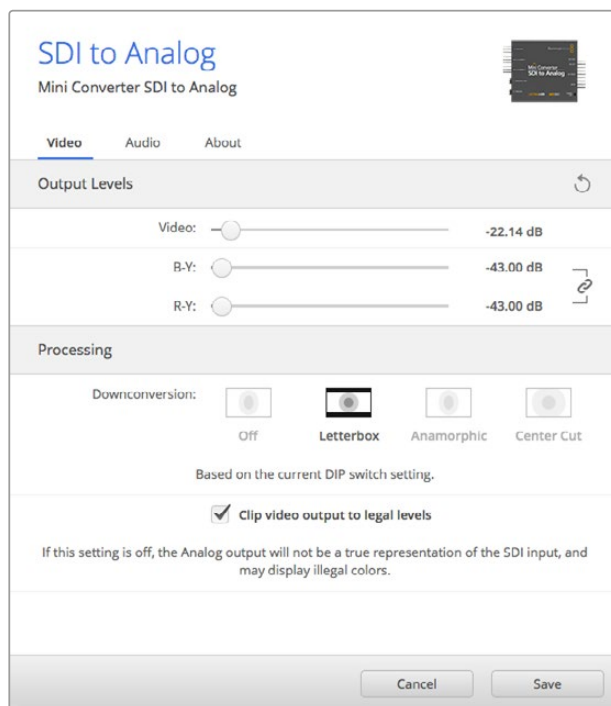
Canais de Áudio	Chave 4	Chave 3	Chave 2	Diagrama
1 e 2	OFF	OFF	OFF	
3 e 4	OFF	OFF	ON	
5 e 6	OFF	ON	OFF	
7 e 8	OFF	ON	ON	
9 e 10	ON	OFF	OFF	
11 e 12	ON	OFF	ON	
13 e 14	ON	ON	OFF	
15 e 16	ON	ON	ON	

## Configurar o Blackmagic Converters Setup

O utilitário Converters Setup pode ser utilizado para ajustar configurações e atualizar o software do seu Mini Converter. Você pode acessar essas configurações alternando entre as abas “Video”, “Audio” e “About”.

A aba “About” é detalhada na seção ‘Ajustar Configurações’ deste manual.

A aba “Video” para o Mini Converter SDI to Analog contém as configurações a seguir.



Use a aba “Video” no Converters Setup para ajustar os níveis e as configurações de processamento do vídeo analógico.

## Menu “Processing”

Este menu permite seleccionar a proporção de tela do vídeo convertido. As opções são letterbox, anamórfico, corte central ou sem processamento.

A caixa de verificação “Clip video output to legal levels” controla a clipagem da entrada SDI para garantir que ela se mantenha dentro dos níveis legais e deve permanecer selecionada por padrão.

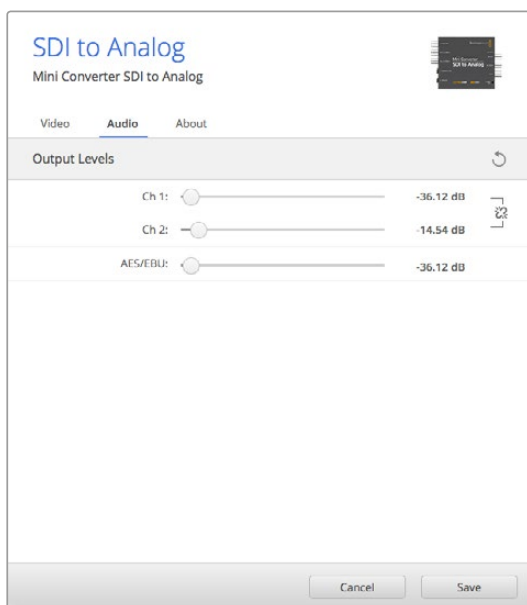
## Menu “Output Levels”

Este menu permite configurar os níveis de luminância e crominância, assim como os níveis B-Y e R-Y componentes independentemente.

A aba “Audio” para o Mini Converter SDI to Analog contém as configurações a seguir.

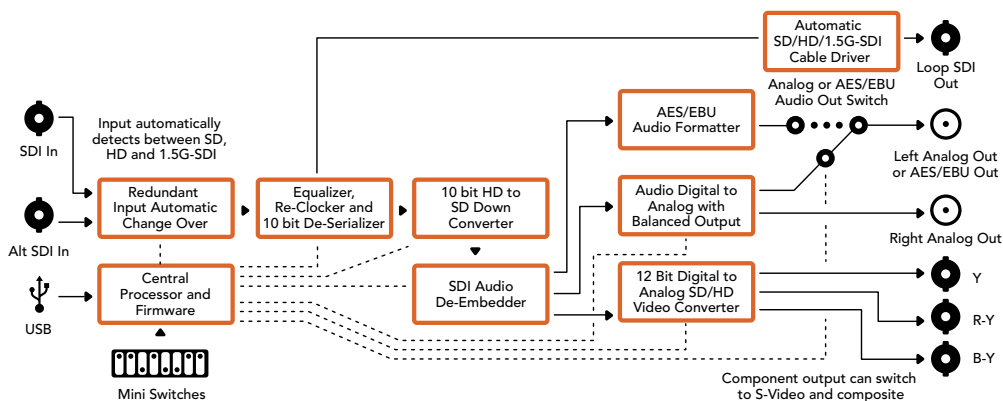
## Menu “Output Levels”

Este menu permite ajustar o ganho na saída de áudio. Você pode ajustar os níveis de áudio por canal independentemente, ou em pares, ao clicar no ícone de link ao lado dos deslizadores. Para restaurar todos os níveis de áudio de volta a 0 dB, clique no botão “Reset” na parte superior do menu “Output Levels”.



Use a aba “Audio” no Converters Setup para ajustar os níveis de áudio analógico.

## Esquema de Ligações do Mini Converter SDI to Analog



## Mini Converter SDI to Analog 4K

Os modelos Mini Converter SDI to Analog 4K e SDI to Analog 4K Heavy Duty convertem vídeo SDI SD, HD, 3G e 6G para componente analógico, NTSC e PAL com saída de áudio analógico e AES/EBU balanceado. Este conversor descendente permite conectar vídeos SDI de até 6G a equipamentos analógicos SD ou HD e conecta-se facilmente a monitores e decks, como Betacam SP e VHS. Você pode até fazer a saída de pares de áudio analógico a partir de 16 canais de áudio SDI desembutidos.



## Conectores

- 1 Y ou NTSC/PAL**  
Saída Y de componente analógico Y, ou de NTSC/PAL composto via conector BNC.
- 2 B-Y ou S-VIDEO Y**  
Saída B-Y de componente analógico, ou Y de S-Video via conector BNC.
- 3 R-Y ou S-VIDEO C**  
Saída R-Y de componente analógico, ou C de S-Video via conector BNC.
- 4 L - ANALOG ou AES/EBU**  
Canal esquerdo de áudio analógico balanceado, ou saída de áudio digital AES/EBU via conector tipo jack de ¼".
- 5 R - ANALOG**  
Canal direito de áudio analógico balanceado via conector tipo jack de ¼".
- 6 MINI-B USB PORT**  
Conecta ao software Converters Setup através de computadores Mac OS X ou Windows. O software interno do Mini Converter também pode ser atualizado via a porta USB.
- 7 SDI OUT**  
Saída SDI via conector BNC.
- 8 ALT SDI IN**  
Entrada SDI redundante fornecida como backup opcional.
- 9 SDI IN**  
Entrada SDI principal.
- 10 POWER +12V**  
Entrada da fonte de alimentação de 12 volts.

## Chaves

**DICA** No modelo Mini Converter Heavy Duty, as chaves são protegidas por uma capa emborrachada. Basta levantar a extremidade da capa para acessá-las.

As chaves do Mini Converter SDI to Analog 4K oferecem as configurações a seguir.

### **Chave 8 - Analog Audio, AES/EBU Audio**

Selecione “OFF” na chave 8 para áudio analógico balanceado ou “ON” para saída de áudio digital AES/EBU.

### **Chave 7 - 7.5 IRE - 0.0 IRE**

Usuários nos EUA e países que utilizam NTSC com configuração 7.5 devem selecionar “OFF”. Caso você esteja trabalhando em um país que não utilize 7.5, coloque a chave 7 na posição “ON”. Esta configuração afeta somente as saídas de vídeo composto e S-Video.

### **Chave 6 - SMPTE Levels - Betacam Levels**

Selecione “OFF” na chave 6 para níveis SMPTE ou “ON” para níveis Betacam. Níveis SMPTE são mais comuns e podem ser utilizados até por decks Betacam SP. Dessa forma, coloque a chave em Betacam somente se tiver certeza que níveis Betacam estejam sendo utilizados.

### **Chave 5 - Component, Composite ou S-Video**

Selecione “OFF” na chave 5 para vídeo componente analógico ou “ON” para saída de vídeo composto e S-Video.

Para exibir a entrada de vídeo HD como SD nas saídas de vídeo composto e S-Video, a conversão descendente deve ser configurada como “ON”. O vídeo componente analógico suporta tanto HD quanto SD.

### **Chaves 4, 3 e 2 - SDI Audio De-Embed**

As chaves 4, 3 e 2 são agrupadas para fornecer oito combinações ON/OFF. As oito combinações diferentes possibilitam que oito pares de canais de áudio independentes sejam separados na entrada SDI.

### **Chave 1 - Processing Off - Processing On**

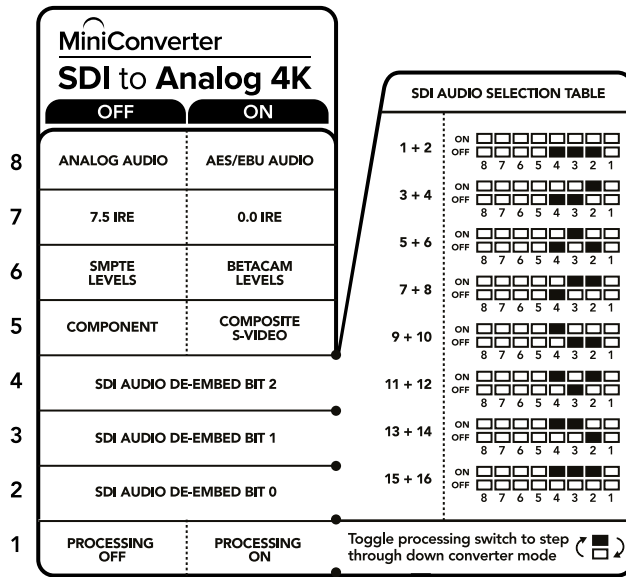
Conversão descendente com seleção de três tipos de proporção de tela na chave 1. Ao alternar entre “OFF” e “ON” você aplica proporção de tela anamórfica, corte central ou letterbox.

Tanto para a entrada HD quanto Ultra HD, selecione “OFF” para transmitir HD analógico via as saídas componentes.

Ao selecionar “ON”, a conversão descendente da entrada Ultra HD é feita para PAL/NTSC analógico ou HD componente, dependendo das outras configurações de chave. Vídeos DCI 4K serão cortados na saída componente HD.

Ao selecionar “ON”, a conversão descendente da entrada HD é feita para PAL/NTSC analógico ou vídeo componente, dependendo das outras configurações de chave.

Quando conectado ao Blackmagic Converters Setup via USB, as suas configurações de conversão descendente são controladas pelo software. Para que o conversor memorize as suas configurações de software, desconecte o dispositivo do computador, reinicie-o e configure a conversão descendente utilizando a chave 1.



A legenda das chaves na base do seu conversor fornece todas as informações necessárias para ajustar as configurações de conversão.

### Exemplo de Configurações das Minichaves:

Ao configurar o seu Backmagic Mini Converter, experimente diferentes combinações de chaves para fazer a saída de vídeo componente de alta definição e dos canais de áudio analógico 1 e 2 posicionando as chaves 8, 5, 4, 3 e 2 em “OFF”.

### Tabela de Seleção de Áudio

Canais de Áudio	Chave 4	Chave 3	Chave 2	Diagrama
1 e 2	OFF	OFF	OFF	ON OFF
3 e 4	OFF	OFF	ON	ON OFF
5 e 6	OFF	ON	OFF	ON OFF
7 e 8	OFF	ON	ON	ON OFF
9 e 10	ON	OFF	OFF	ON OFF
11 e 12	ON	OFF	ON	ON OFF
13 e 14	ON	ON	OFF	ON OFF
15 e 16	ON	ON	ON	ON OFF

## Configurar o Blackmagic Converters Setup

O utilitário Converters Setup pode ser utilizado para ajustar configurações e atualizar o software do seu Mini Converter. Você pode acessar essas configurações alternando entre as abas “Video”, “Audio” e “About”.

A aba “About” é detalhada na seção ‘Ajustar Configurações’ deste manual.

A aba “Video” para o Mini Converter SDI to Analog 4K contém as configurações a seguir.

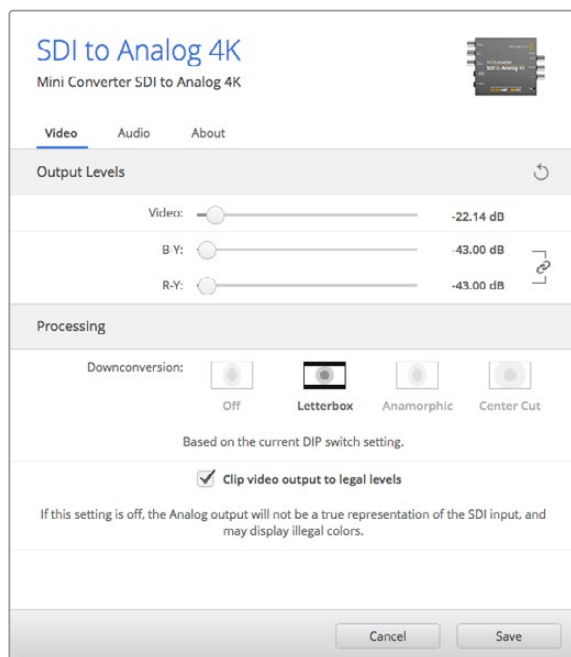
### Menu “Output Levels”

Este menu permite configurar os níveis de luminância e crominância, assim como os níveis B-Y e R-Y componentes independentemente.

### Menu “Processing”

Este menu permite selecionar a proporção de tela do vídeo convertido. As opções são letterbox, anamórfico, corte central ou sem processamento.

A caixa de verificação “Clip video output to legal levels” controla a clipagem da sua entrada SDI para garantir que ela se mantenha dentro dos níveis legais de HDMI e deve permanecer selecionada por padrão.

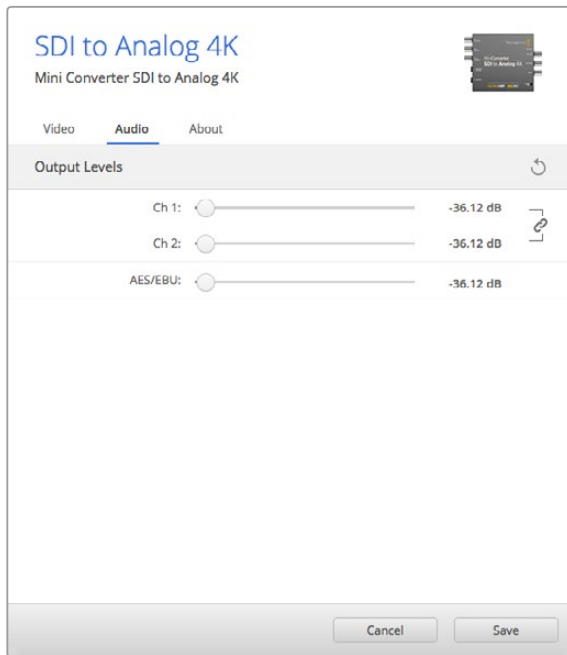


Use a aba “Video” no Converters Setup para ajustar os níveis e as configurações processamento do vídeo analógico.

A aba “Audio” para o Mini Converter SDI to Analog 4K contém as configurações a seguir.

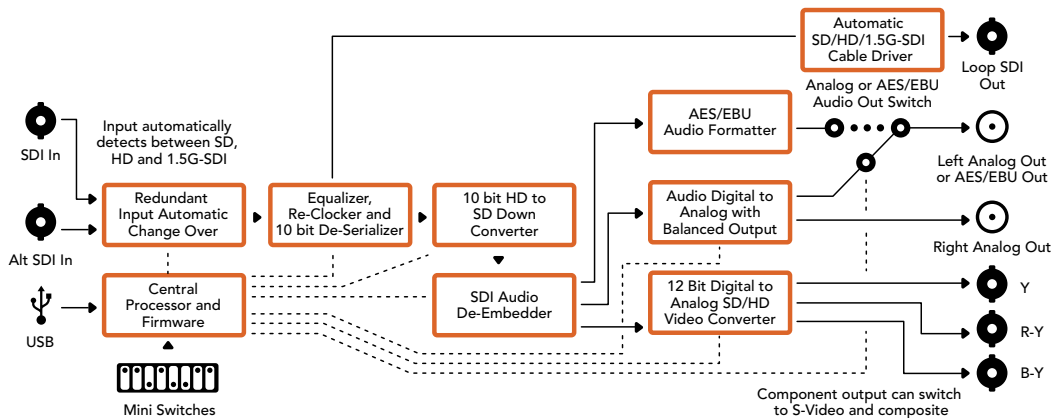
### Menu “Output Levels”

Este menu permite ajustar o ganho na entrada de áudio. Você pode ajustar os níveis de áudio por canal independentemente, ou em pares, ao clicar no ícone de link ao lado dos deslizadores. Para restaurar todos os níveis de áudio de volta a 0 dB, clique no botão “Reset” na parte superior do menu “Output Levels”.



Use a aba "Audio" no Converters Setup para ajustar os níveis de áudio analógico.

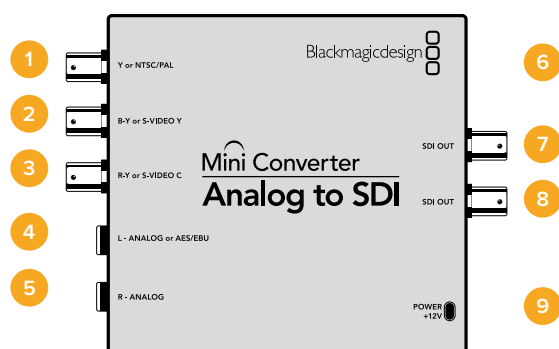
## Esquema de Ligação do Mini Converter SDI to Analog 4K



## Mini Converter Analog to SDI

Você pode utilizar os modelos Mini Converter Analog to SDI e Analog to SDI Heavy Duty para converter vídeo e áudio de equipamentos analógicos como decks Betacam SP, câmeras HDV e consoles de videogame para SDI SD e HD. Este conversor suporta diversos formatos analógicos e digitais, incluindo SD/HD, S-Video e NTSC/PAL composto. As saídas HD-SDI incluem a opção de embutir áudio digital AES/EBU e analógico.





## Conectores

- 1 Y ou NTSC/PAL**  
Entrada Y de componente analógico, ou de NTSC/PAL composto via conector BNC.
- 2 B-Y ou S-VIDEO Y**  
Entrada B-Y de componente analógico, ou Y de S-Video via conector BNC.
- 3 R-Y ou S-VIDEO C**  
Entrada R-Y de componente analógico, ou C de S-Video via conector BNC.
- 4 L - ANALOG ou AES/EBU**  
Canal esquerdo de áudio analógico balanceado, ou entrada de áudio digital AES/EBU via conector tipo jack de ¼”.
- 5 R - ANALOG**  
Canal direito de áudio analógico balanceado através de conector tipo jack de ¼”.
- 6 MINI-B USB PORT**  
Conecta ao software Converters Setup através de computadores Mac OS X ou Windows. O software interno do Mini Converter também pode ser atualizado via a porta USB.
- 7 SDI OUT**  
Saída SDI via conector BNC.
- 8 SDI OUT**  
Segunda saída SDI.
- 9 POWER +12V**  
Entrada da fonte de alimentação de 12 volts.

## Chaves

**DICA** No modelo Mini Converter Heavy Duty, as chaves são protegidas por uma capa emborrachada. Basta levantar a extremidade da capa para acessá-las.

As chaves do Mini Converter Analog to SDI oferecem as configurações a seguir.

### Chave 8 - Analog Audio, AES/EBU Audio

Selecione “OFF” na chave 8 para áudio analógico balanceado ou “ON” para entrada de áudio digital AES/EBU.

### Chave 7 - 7.5 IRE - 0.0 IRE

Usuários nos EUA e países que utilizam NTSC com configuração 7.5 devem selecionar “OFF”. Caso você esteja trabalhando em um país que não utilize 7.5, como o Japão, coloque a chave 7 na posição “ON”. Esta configuração afeta somente as saídas de vídeo composto e S-Video.

### Chave 6 - SMPTE Levels - Betacam Levels

Esta configuração seleciona entre níveis de vídeo SMPTE ou Betacam. Selecione “OFF” na chave 6 para níveis SMPTE ou “ON” para níveis Betacam. Níveis SMPTE são mais comuns e podem ser utilizados até por decks Betacam SP. Dessa forma, coloque a chave em Betacam somente se tiver certeza que níveis Betacam estejam sendo utilizados.

### Chave 5 - Component, Composite ou S-Video

Selecione “OFF” na chave 5 para selecionar a entrada de vídeo componente analógico ou “ON” para as entradas de vídeo composto e S-Video.

Mini Converter Analog to SDI		
	OFF	ON
8	ANALOG AUDIO	AES/EBU AUDIO
7	7.5 IRE	0.0 IRE
6	SMPTE LEVELS	BETACAM LEVELS
5	COMPONENT	COMPOSITE or S-VIDEO
4	COMPOSITE	S-VIDEO
3		
2		
1	PROCESSING OFF	PROCESSING ON

A legenda das chaves na base do seu conversor fornece todas as informações necessárias para ajustar as configurações de conversão.

### Chave 4 - Composite - S-Video

Selecione “OFF” na chave 4 para entrada de vídeo composto ou “ON” para S-Video.

### Chave 1 - Processing Off - Processing On

Esta chave não é utilizada.

## Exemplo de Configurações das Minichaves

Ao configurar o seu Blackmagic Mini Converter, experimente diferentes combinações de chaves para entrada de áudio componente e analógico posicionando as chaves 8 e 5 em “OFF”.

## Configurar o Blackmagic Converters Setup

O utilitário Converters Setup pode ser utilizado para ajustar configurações e atualizar o software do seu Mini Converter. Você pode acessar essas configurações alternando entre as abas “Video”, “Audio” e “About”.

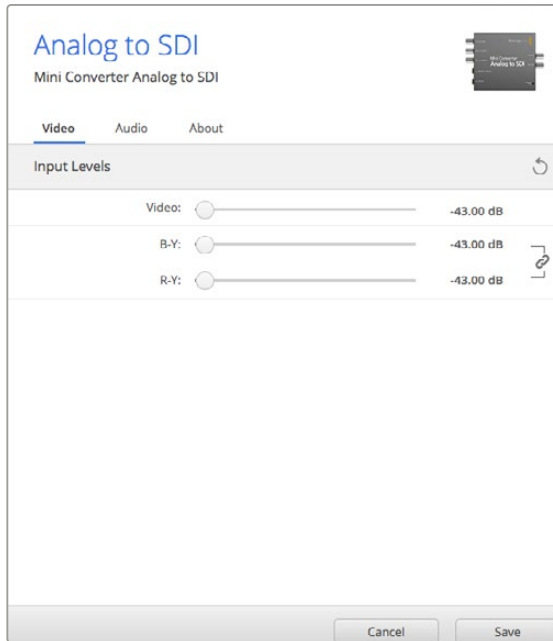
A aba “About” é detalhada na seção ‘Ajustar Configurações’ deste manual.

A aba “Video” para o Mini Converter Analog to SDI contém as configurações a seguir.

### Menu “Input Levels”

Este menu permite configurar os níveis de luminância e croma, assim como os níveis B-Y e R-Y componentes independentemente.

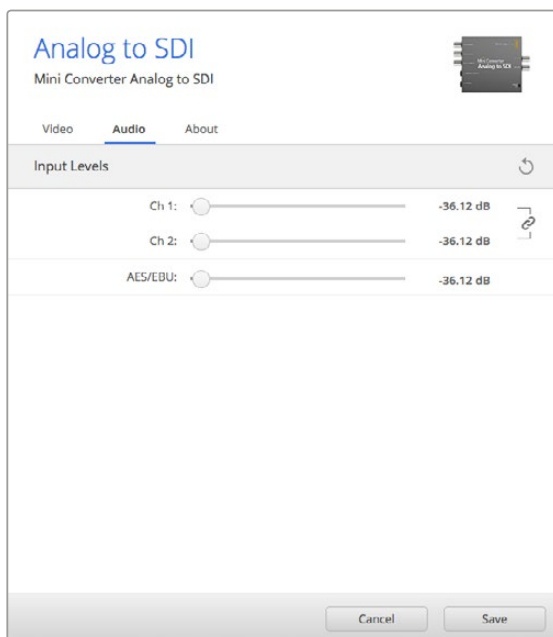
A aba “Audio” para o Mini Converter Analog to SDI contém as configurações a seguir.



Use a aba “Video” no Converters Setup para ajustar os níveis de vídeo.

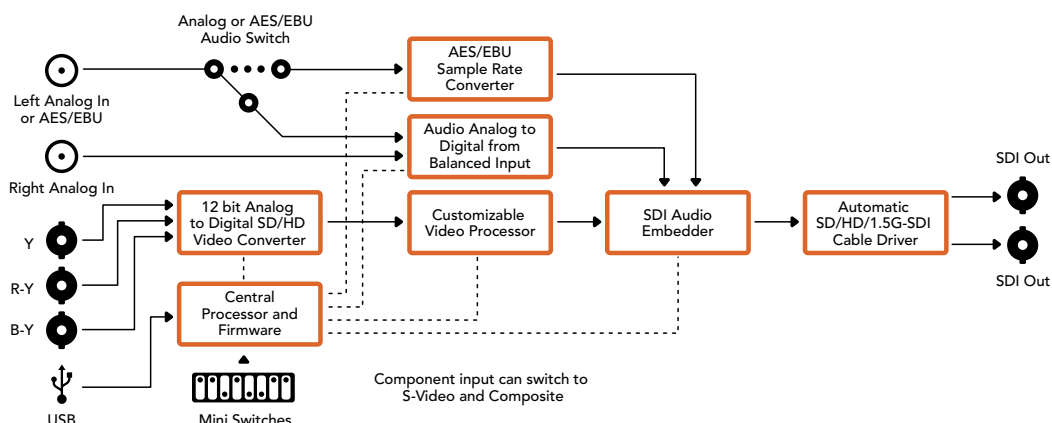
### Menu “Input Levels”

Este menu permite ajustar o ganho na entrada de áudio. Você pode ajustar os níveis de áudio por canal independentemente, ou em pares, ao clicar no ícone de link ao lado dos deslizadores. Para restaurar todos os níveis de áudio de volta a 0 dB, clique no botão “Reset” na parte superior do menu “Input Levels”.



Use a aba “Audio” no Converters Setup para ajustar os níveis de áudio analógico.

## Esquema de Ligações do Mini Converter Analog to SDI



## Mini Converter SDI to Audio

O Mini Converter SDI to Audio é capaz de desembutir 4 canais de áudio a partir de qualquer conexão de vídeo SDI, fazer a saída para 4 canais de áudio analógico ou 8 canais de áudio digital AES/EBU e ainda enviar para equipamentos de áudio como mesas de som, decks analógicos e monitores. Também é possível separar canais de áudio SDI ao conectar outro Mini Converter SDI to Audio em cascata à saída SDI do seu conversor.



## Conectores

- 1 CH 1 ANALOG ou CH 1 & 2 AES/EBU**  
Canal de áudio analógico balanceado 1, ou canais de saída de áudio digital AES/EBU 1 e 2 via conector tipo jack de ¼".
- 2 CH 1 ANALOG ou CH 3 & 4 AES/EBU**  
Canal de áudio analógico balanceado 2, ou canais de saída de áudio digital AES/EBU 3 e 4 via conector tipo jack de ¼".
- 3 CH 3 ANALOG ou CH 5 & 6 AES/EBU**  
Canal de áudio analógico balanceado 3, ou canais de saída de áudio digital AES/EBU 5 e 6 via conector tipo jack de ¼".
- 4 CH 4 ANALOG ou CH 7 & 8 AES/EBU**  
Canal de áudio analógico balanceado 4, ou canais de saída de áudio digital AES/EBU 7 e 8 via conector tipo jack de ¼".

## 5 MINI-B USB PORT

Conecta ao software Converters Setup através de computadores Mac OS X ou Windows. O software interno do Mini Converter também pode ser atualizado via a porta USB.

## 6 SDI OUT

Saída de vídeo SDI com loop through via conector BNC.

## 7 ALT SDI IN

Entrada SDI redundante fornecida como backup opcional. Quando ambas as entradas "SDI IN" e "ALT SDI IN" estiverem em uso, "ALT SDI IN" assumirá o comando caso o sinal da "SDI IN" falhe. O LED "SDI LOCK" piscará, indicando que o conversor alternou para a entrada "ALT SDI".

## 8 SDI IN

Entrada SDI principal.

## 9 POWER +12V

Entrada da fonte de alimentação de 12 volts.

## Chaves

As chaves do Mini Converter SDI to Audio oferecem as configurações a seguir.

### Chave 8 - Analog Audio, AES/EBU Audio

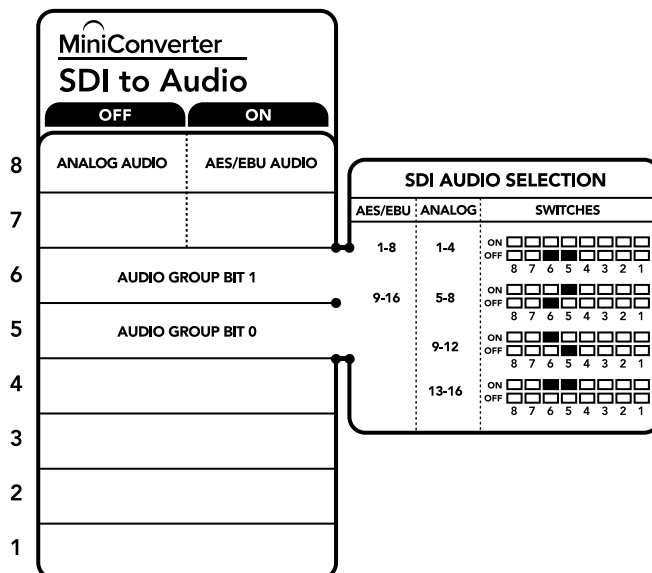
Selecione "OFF" na chave 8 para saída de áudio analógico balanceado ou "ON" para áudio digital AES/EBU.

### Chave 6 - Audio Group Bit 1

As chaves 6 e 5 são agrupadas para fornecer quatro combinações ON/OFF. Isto permite que quatro grupos de quatro canais de áudio analógico, ou dois grupos de oito canais de áudio AES/EBU, sejam separados na saída SDI.

### Chave 5 - Audio Group Bit 0

Veja a descrição da chave 6.



A legenda das chaves na base do seu conversor fornece todas as informações necessárias para ajustar as configurações de conversões.

## Exemplo de Configurações das Minichaves

Procure testar diferentes combinações de chaves. Selecione os canais de áudio analógico 1 a 4 ao configurar as chaves 8, 6 e 5 como "OFF".

## Tabela de Seleção de Áudio

Canais de Áudio Analógico	Chave 6	Chave 5	Diagrama
1 a 4	OFF	OFF	ON OFF <input type="checkbox"/> <input type="checkbox"/> <input type="checkbox"/> <input type="checkbox"/> <input type="checkbox"/> <input type="checkbox"/> <input type="checkbox"/> <input type="checkbox"/> 8 7 6 5 4 3 2 1
5 a 8	OFF	ON	ON OFF <input type="checkbox"/> <input type="checkbox"/> <input checked="" type="checkbox"/> <input checked="" type="checkbox"/> <input type="checkbox"/> <input type="checkbox"/> <input type="checkbox"/> <input type="checkbox"/> 8 7 6 5 4 3 2 1
9 a 12	ON	OFF	ON OFF <input checked="" type="checkbox"/> <input checked="" type="checkbox"/> <input type="checkbox"/> <input type="checkbox"/> <input type="checkbox"/> <input type="checkbox"/> <input type="checkbox"/> <input type="checkbox"/> 8 7 6 5 4 3 2 1
13 a 16	ON	ON	ON OFF <input checked="" type="checkbox"/> <input checked="" type="checkbox"/> <input checked="" type="checkbox"/> <input checked="" type="checkbox"/> <input type="checkbox"/> <input type="checkbox"/> <input type="checkbox"/> <input type="checkbox"/> 8 7 6 5 4 3 2 1

Canais AES/EBU	Chave 6	Chave 5	Diagrama
1 a 8	OFF	OFF	ON OFF <input type="checkbox"/> <input type="checkbox"/> <input type="checkbox"/> <input type="checkbox"/> <input type="checkbox"/> <input type="checkbox"/> <input type="checkbox"/> <input type="checkbox"/> 8 7 6 5 4 3 2 1
9 a 16	OFF	ON	ON OFF <input type="checkbox"/> <input type="checkbox"/> <input checked="" type="checkbox"/> <input checked="" type="checkbox"/> <input type="checkbox"/> <input type="checkbox"/> <input type="checkbox"/> <input type="checkbox"/> 8 7 6 5 4 3 2 1

## Configurar o Blackmagic Converters Setup

O utilitário Converters Setup pode ser utilizado para ajustar configurações e atualizar o software do seu Mini Converter. Você pode acessar essas configurações alternando entre as abas “Audio” e “About”.

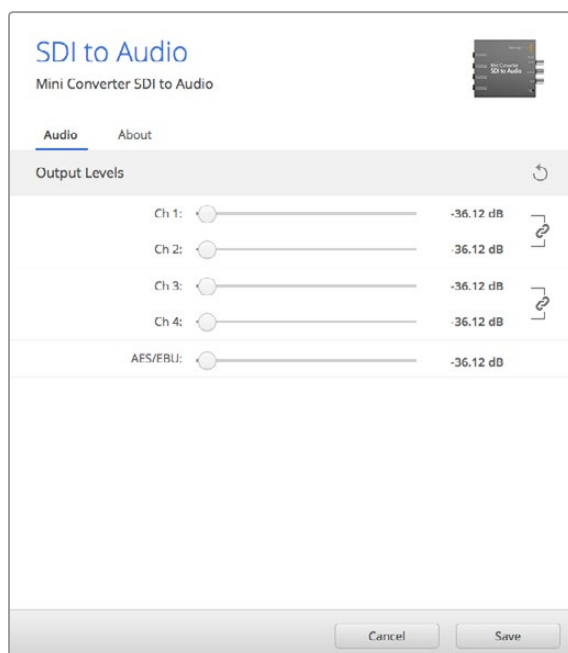
A aba “About” é detalhada na seção ‘Ajustar Configurações’ deste manual.

A aba “Audio” para o Mini Converter SDI to Audio contém as configurações a seguir.

### Menu “Output Levels”

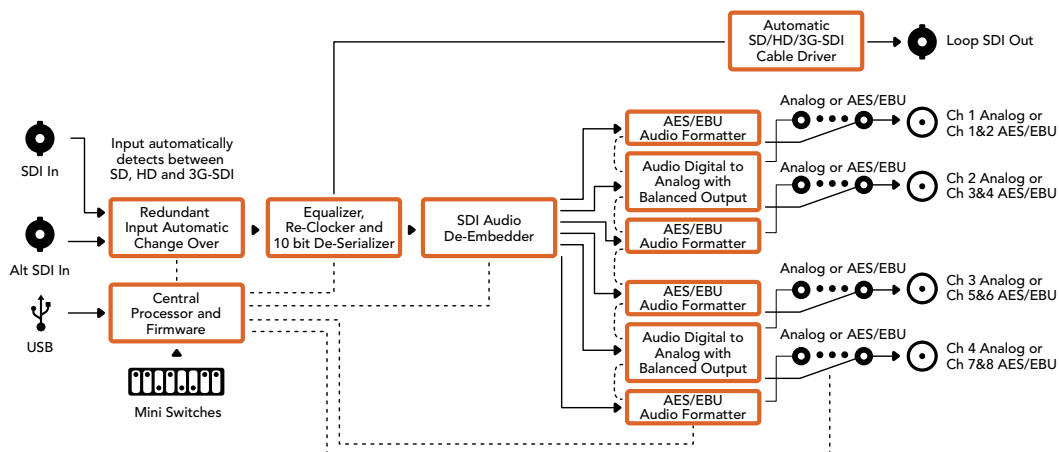
Este menu permite ajustar o ganho na saída de áudio. Você pode ajustar os níveis de áudio por canal independentemente, ou em pares, ao clicar no ícone de link ao lado dos deslizadores.

Para restaurar todos os níveis de áudio de volta a 0 dB, clique no botão “Reset” na parte superior do menu “Output Levels”.



Use a aba “Audio” no Converters Setup para ajustar os níveis de áudio.

## Esquema de Ligações do Mini Converter SDI to Audio



## Mini Converter SDI to Audio 4K

O Mini Converter SDI to Audio 4K é capaz de desembudir 4 canais de áudio a partir de qualquer conexão de vídeo SDI, fazer a saída para 4 canais de áudio analógico ou 8 canais de áudio digital AES/EBU e ainda enviar para equipamentos de áudio como mesas de som, decks analógicos e monitores. Também é possível separar canais de áudio SDI adicionais ao conectar outro Mini Converter SDI to Audio 4K em cascata à saída SDI do seu conversor.



## Conectores

- 1 CH 1 ANALOG ou CH 1 & 2 AES/EBU**  
Canal de áudio analógico balanceado 1, ou canais de saída de áudio digital AES/EBU 1 e 2 via conector tipo jack de ¼".
- 2 CH 2 ANALOG ou CH 3 & 4 AES/EBU**  
Canal de áudio analógico balanceado 2, ou canais de saída de áudio digital AES/EBU 3 e 4 via conector tipo jack de ¼".
- 3 CH 3 ANALOG ou CH 5 & 6 AES/EBU**  
Canal de áudio analógico balanceado 3, ou canais de saída de áudio digital AES/EBU 5 e 6 via conector tipo jack de ¼".
- 4 CH 4 ANALOG ou CH 7 & 8 AES/EBU**  
Canal de áudio analógico balanceado 4, ou canais de saída de áudio digital AES/EBU 7 e 8 via conector tipo jack de ¼".

## 5 MINI-B USB PORT

Conecta ao software Converters Setup através de computadores Mac OS X ou Windows. O software interno do Mini Converter também pode ser atualizado via a porta USB.

## 6 SDI OUT

Saída de vídeo SDI com loop through via conector BNC.

## 7 ALT SDI IN

Entrada SDI redundante fornecida como backup opcional. Quando ambas as entradas "SDI IN" e "ALT SDI IN" estiverem em uso, "ALT SDI IN" assumirá o comando caso o sinal "SDI IN" falhe. O LED "SDI LOCK" piscará, indicando que o conversor alternou para a entrada "ALT SDI".

## 8 SDI IN

Entrada SDI principal.

## 9 POWER +12V

Entrada da fonte de alimentação de 12 volts.

## Chaves

As chaves do Mini Converter SDI to Audio 4K oferecem as configurações a seguir.

### Chave 8 - Analog Audio, AES/EBU Audio

Selecione "OFF" na chave 8 para saída de áudio analógico balanceado ou "ON" para áudio digital AES/EBU.

### Chave 6 - Audio Group Bit 1

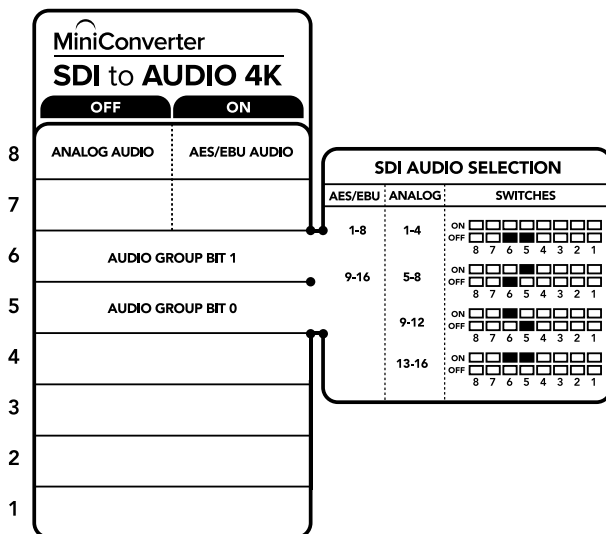
As chaves 6 e 5 são agrupadas para fornecer quatro combinações ON/OFF. Isto permite que até quatro grupos de quatro canais de áudio analógico, ou dois grupos de oito canais de áudio AES/EBU, sejam separados na saída SDI.

### Chave 5 - Audio Group Bit 0

Veja a descrição da chave 6.

## Exemplo de Configurações das Minichaves

Procure testar diferentes combinações de chaves. Selecione os canais de áudio analógico 1 a 4 ao configurar as chaves 8, 6 e 5 como "OFF".



A legenda das chaves na base do seu conversor fornece todas as informações necessárias para ajustar as configurações de conversões.



## Tabela de Seleção de Áudio

Canais de Áudio Analógico	Chave 6	Chave 5	Diagrama
1 a 4	OFF	OFF	
5 a 8	OFF	ON	
9 a 12	ON	OFF	
13 a 16	ON	ON	
Canais AES/EBU	Chave 6	Chave 5	Diagrama
1 a 8	OFF	OFF	
9 a 16	OFF	ON	

## Configurar o Blackmagic Converters Setup

O utilitário Converters Setup pode ser utilizado para ajustar configurações e atualizar o software do seu Mini Converter. Você pode acessar essas configurações alternando entre as abas “Audio” e “About”.

A aba “About” é detalhada na seção ‘Ajustar Configurações’ deste manual.

A aba “Audio” para o Mini Converter SDI to Audio 4K contém as configurações a seguir.

### Menu “Output Levels”

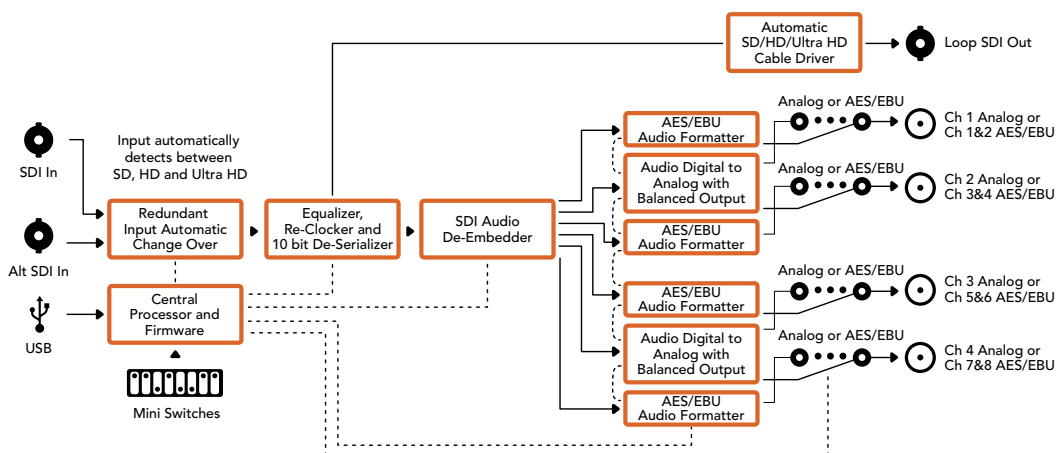
Este menu permite ajustar o ganho na saída de áudio. Você pode ajustar os níveis de áudio por canal independentemente, ou em pares, ao clicar no ícone de link ao lado dos deslizadores.

Para restaurar todos os níveis de áudio de volta a 0 dB, clique no botão “Reset” na parte superior do menu “Output Levels”.



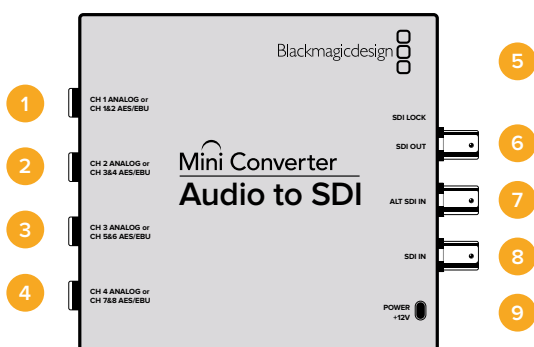
Use a aba “Audio” no Converters Setup para ajustar os níveis de áudio analógico.

## Esquema de Ligações do Mini Converter SDI to Audio 4K



## Mini Converter Audio to SDI

O Mini Converter Audio to SDI inclui tudo que você precisa para embutir quatro canais de áudio analógico ou oito canais de áudio digital AES/EBU em qualquer conexão de vídeo SDI. Você pode utilizar este miniconversor para captar áudio de dispositivos como mesas de som e decks analógicos e embuti-lo em conexões de vídeo SDI para uso com decks e roteadores SDI. Também é possível separar canais de áudio SDI adicionais ao conectar outro Mini Converter Audio to SDI em cascata à saída SDI do seu conversor.



## Conectores

- 1 CH 1 ANALOG ou CH 1 & 2 AES/EBU**  
 Canal de áudio analógico balanceado 1, ou canais de entrada de áudio digital AES/EBU 1 e 2 via conector tipo jack de 1/4".
- 2 CH 2 ANALOG ou CH 3 & 4 AES/EBU**  
 Canal de áudio analógico balanceado 2, ou canais de entrada de áudio digital AES/EBU 3 e 4 via conector tipo jack de 1/4".
- 3 CH 3 ANALOG ou CH 5 & 6 AES/EBU**  
 Canal de áudio analógico balanceado 3, ou canais de entrada de áudio digital AES/EBU 5 e 6 via conector tipo jack de 1/4".
- 4 CH 4 ANALOG ou CH 7 & 8 AES/EBU**  
 Canal de áudio analógico balanceado 4, ou canais de entrada de áudio digital AES/EBU 7 e 8 via conector tipo jack de 1/4".
- 5 MINI-B USB PORT**  
 Conecta ao software Converters Setup através de computadores Mac OS X ou Windows. O software interno do Mini Converter também pode ser atualizado via a porta USB.

## 6 SDI OUT

Saída de vídeo SDI com loop through via conector BNC.

## 7 ALT SDI IN

Entrada SDI redundante fornecida como backup opcional. Quando ambas as entradas "SDI IN" e "ALT SDI IN" estiverem em uso, "ALT SDI IN" assumirá o comando caso o sinal "SDI IN" falhe. O LED "SDI LOCK" piscará, indicando que o conversor alternou para a entrada "ALT SDI".

## 8 SDI IN

Entrada SDI principal.

## 9 POWER +12V

Entrada da fonte de alimentação de 12 volts.

## Chaves

As chaves do Mini Converter Audio to SDI oferecem as configurações a seguir.

### Chave 8 - Analog Audio, AES/EBU Audio

Selecione "OFF" na chave 8 para áudio analógico balanceado ou "ON" para entrada de áudio digital AES/EBU.

### Chave 7 - Sample Rate Conversion, No Sample Rate Conversion

Selecione "OFF" na chave 7 para habilitar a conversão de taxa de amostragem ou "ON" para desabilitar a conversão de taxa de amostragem. Esta chave quase sempre deverá permanecer na posição "OFF" para garantir que o áudio seja embutido na taxa de amostragem correta para televisão.

Quando a chave 7 está em "OFF", esta configuração converte a taxa de amostragem do seu áudio analógico ou AES/EBU e embute áudio na saída SDI a 48 kHz. Quando a chave 7 está em "ON", a conversão da taxa de amostragem é desabilitada e o áudio é enviado na taxa de amostragem original de entrada.

### Chave 6 - Audio Group Bit 1

As chaves 6 e 5 são agrupadas para fornecer quatro combinações ON/OFF. As quatro combinações diferentes possibilitam que quatro canais de áudio analógico ou oito canais de áudio AES/EBU sejam embutidos na saída SDI.

### Chave 5 - Audio Group Bit 0

Veja a descrição da chave 6.

### Tabela de Seleção de Áudio

Canais de Áudio Analógico	Chave 6	Chave 5	Diagrama
1 a 4	OFF	OFF	
5 a 8	OFF	ON	
9 a 12	ON	OFF	
13 a 16	ON	ON	
Canais AES/EBU	Chave 6	Chave 5	Diagrama
1 a 8	OFF	OFF	
9 a 16	OFF	ON	

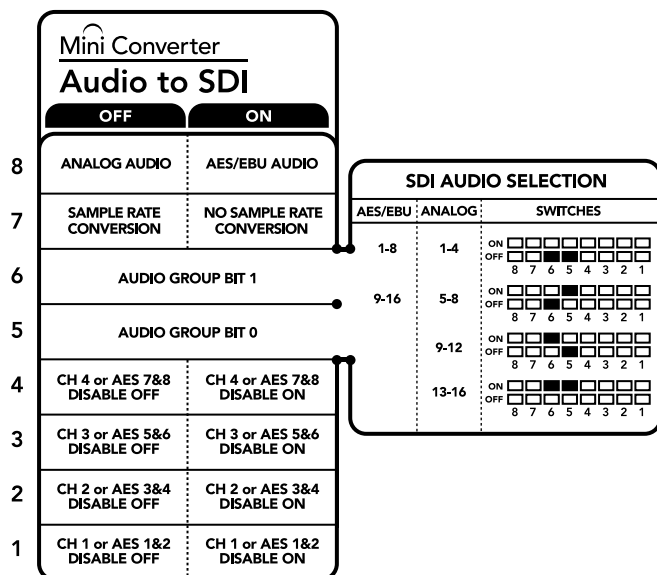
## Embutir ou Desativar Canais

Uma vez que você selecionou os canais de áudio, use as chaves 4, 3, 2 e 1 para escolher quais canais deseja embutir ou desativar. A configuração de desativação evita a substituição dos canais de áudio que você deseja manter no sinal SDI.

Por exemplo, você pode desabilitar o canal de áudio analógico 1 ou os canais AES/EBU 1 e 2 ao colocar a chave 1 na posição "ON". Alternativamente, você pode embutir os canais de áudio ao configurar a chave 1 como "OFF".

### Configurações de Separação e Desabilitação de Canais de Áudio

Chave	Configuração	Canais de Áudio
4	ON	Desabilitar canal analógico 4; canais AES/EBU 7 e 8
	OFF	Embutir canal analógico 4; canais AES/EBU 7 e 8
3	ON	Desabilitar canal analógico 3; canais AES/EBU 5 e 6
	OFF	Embutir canal analógico 3; canais AES/EBU 5 e 6
2	ON	Desabilitar canal analógico 2; canais AES/EBU 3 e 4
	OFF	Embutir canal analógico 2; canais AES/EBU 3 e 4
1	ON	Desabilitar canal analógico 1; canais AES/EBU 1 e 2
	OFF	Embutir canal analógico 1; canais AES/EBU 1 e 2



A legenda das chaves na base do seu conversor fornece todas as informações necessárias para ajustar as configurações de conversões.

### Exemplo de Configurações das Minichaves:

Procure testar diferentes combinações de chaves. Selecione os canais de áudio analógico 1 a 4 ao configurar as chaves 8, 6 e 5 como "OFF".

## Configurar o Blackmagic Converters Setup

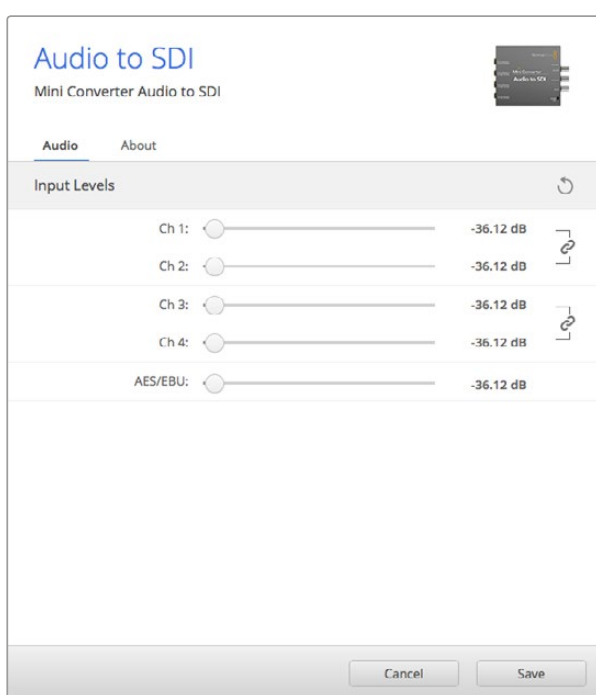
O utilitário Converters Setup pode ser utilizado para ajustar configurações e atualizar o software do seu Mini Converter. Você pode acessar essas configurações alternando entre as abas “Audio” e “About”.

A aba “About” é detalhada na seção ‘Ajustar Configurações’ deste manual.

A aba “Audio” para o Mini Converter Audio to SDI contém as configurações a seguir.

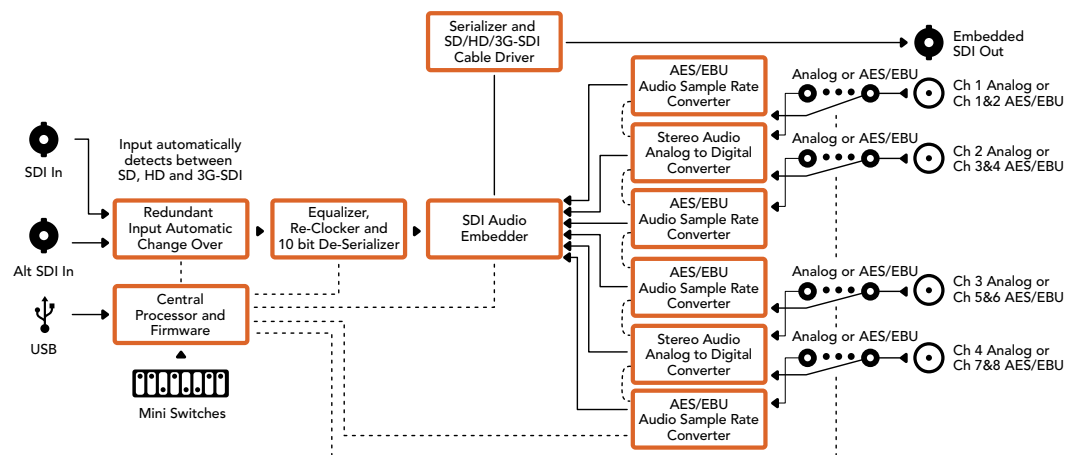
### Menu “Input Levels”

Este menu permite ajustar o ganho na entrada de áudio. Você pode ajustar os níveis de áudio por canal independentemente, ou em pares, ao clicar no ícone de link ao lado dos deslizadores. Para restaurar todos os níveis de áudio de volta a 0 dB, clique no botão “Reset” na parte superior do menu “Output Levels”.



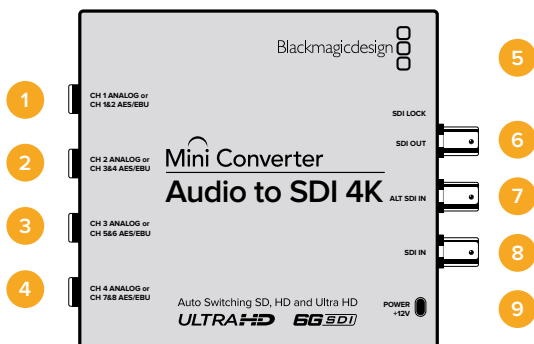
Use a aba “Audio” no Converters Setup para ajustar os níveis de áudio analógico.

### Esquema de Ligações do Mini Converter Audio to SDI



## Mini Converter Audio to SDI 4K

O Mini Converter Audio to SDI 4K inclui tudo que você precisa para embutir quatro canais de áudio analógico ou oito canais digitais de áudio AES/EBU em qualquer conexão de vídeo SDI. Você pode utilizar este miniconversor para captar áudio de dispositivos como mesas de som e decks analógicos e embuti-lo em conexões de vídeo SDI para uso com decks e roteadores SDI. Também é possível separar canais de áudio SDI adicionais ao conectar outro Mini Converter Audio to SDI 4K em cascata à saída SDI do seu conversor.



## Conectores

- 1 CH 1 ANALOG ou CH 1 & 2 AES/EBU**  
Canal de áudio analógico balanceado 1, ou canais de entrada de áudio digital AES/EBU 1 e 2 via conector tipo jack de 1/4".
- 2 CH 2 ANALOG ou CH 3 & 4 AES/EBU**  
Canal de áudio analógico balanceado 2, ou canais de entrada de áudio digital AES/EBU 3 e 4 via conector tipo jack de 1/4".
- 3 CH 3 ANALOG ou CH 5 & 6 AES/EBU**  
Canal de áudio analógico balanceado 3, ou canais de entrada de áudio digital AES/EBU 5 e 6 via conector tipo jack de 1/4".
- 4 CH 4 ANALOG ou CH 7 & 8 AES/EBU**  
Canal de áudio analógico balanceado 4, ou canais de entrada de áudio digital AES/EBU 7 e 8 via conector tipo jack de 1/4".
- 5 MINI-B USB PORT**  
Conecta ao software Converters Setup através de computadores Mac OS X ou Windows. O software interno do Mini Converter também pode ser atualizado via a porta USB.
- 6 SDI OUT**  
Saída loop de vídeo SDI em um conector BNC.
- 7 ALT SDI IN**  
Entrada SDI redundante fornecida como backup opcional. Quando ambas as entradas "SDI IN" e "ALT SDI IN" estiverem em uso, esta assumirá o comando caso o sinal "SDI IN" falhe. O LED "SDI LOCK" piscará, indicando que o conversor alternou para a entrada "ALT SDI".
- 8 SDI IN**  
Entrada SDI principal.
- 9 POWER +12V**  
Entrada da fonte de alimentação de 12 volts.

## Chaves

As chaves do Mini Converter Audio to SDI 4K oferecem as configurações a seguir.

### Chave 8 - Analog Audio, AES/EBU Audio

Selecione “OFF” na chave 8 para áudio analógico balanceado ou “ON” para entrada de áudio digital AES/EBU.

### Chave 7 - Sample Rate Conversion, No Sample Rate Conversion

Selecione “OFF” na chave 7 para habilitar a conversão de taxa de amostragem ou “ON” para desabilitar a conversão de taxa de amostragem. Esta chave quase sempre deverá permanecer na posição “OFF” para garantir que o áudio seja embutido na taxa de amostragem correta para televisão.

Com a chave 7 na posição “OFF”, esta configuração converte a taxa de amostragem do seu áudio analógico ou AES/EBU e embute áudio na saída SDI a 48 kHz. Com a chave 7 na posição “ON”, a conversão da taxa de amostragem é desabilitada e o áudio é enviado na taxa de amostragem original de entrada.

### Chave 6 - Audio Group Bit 1

As chaves 6 e 5 são agrupadas para fornecer quatro combinações ON/OFF. As quatro combinações diferentes possibilitam que quatro canais de áudio analógico ou oito canais de áudio AES/EBU sejam embutidos na saída SDI.

### Chave 5 - Audio Group Bit 0

Veja a descrição da chave 6.

### Tabela de Seleção de Áudio

Canais de Áudio Analógico	Chave 6	Chave 5	Diagrama
1 a 4	OFF	OFF	
5 a 8	OFF	ON	
9 a 12	ON	OFF	
13 a 16	ON	ON	

Canais AES/EBU	Chave 6	Chave 5	Diagrama
1 a 8	OFF	OFF	
9 a 16	OFF	ON	

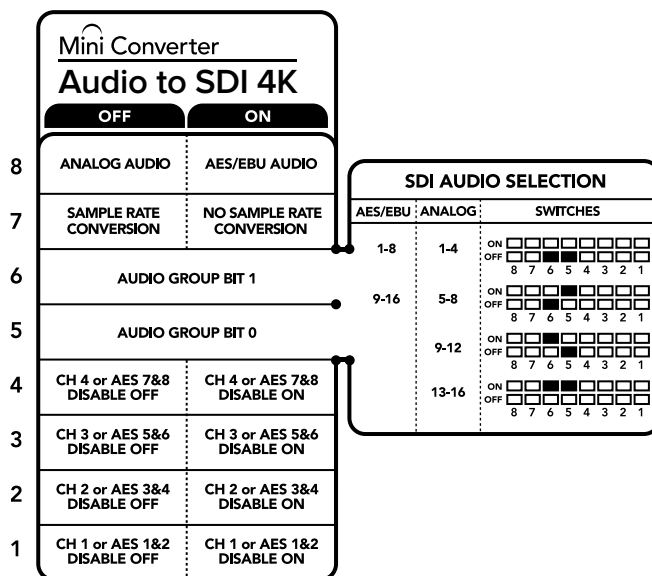
## Embutir ou Desativar Canais

Uma vez que você selecionou os canais de áudio, use as chaves 4, 3, 2 e 1 para escolher quais canais deseja embutir ou desativar. A configuração de desativação evita a substituição dos canais de áudio que você deseja manter no sinal SDI.

Por exemplo, você pode desabilitar o canal de áudio analógico 1 ou os canais AES/EBU 1 e 2 ao colocar a chave 1 na posição “ON”. Alternativamente, você pode embutir os canais de áudio ao configurar a chave 1 como “OFF”.

## Configurações de Separação e Desabilitação de Canais de Áudio

Chave	Configuração	Canais de Áudio
4	ON	Desabilitar canal analógico 4; canais AES/EBU 7 e 8
	OFF	Embutir canal analógico 4; canais AES/EBU 7 e 8
3	ON	Desabilitar canal analógico 3; canais AES/EBU 5 e 6
	OFF	Embutir canal analógico 3; canais AES/EBU 5 e 6
2	ON	Desabilitar canal analógico 2; canais AES/EBU 3 e 4
	OFF	Embutir canal analógico 2; canais AES/EBU 3 e 4
1	ON	Desabilitar canal analógico 1; canais AES/EBU 1 e 2
	OFF	Embutir canal analógico 1; canais AES/EBU 1 e 2



A legenda das chaves na base do seu conversor fornece todas as informações necessárias para ajustar as configurações de conversões.

### Exemplo de Configurações das Minichaves

Procure testar diferentes combinações de chaves. Selecione os canais de áudio analógico 1 a 4 ao configurar as chaves 8, 6 e 5 como "OFF".

## Configurar o Blackmagic Converters Setup

O utilitário Converters Setup pode ser utilizado para ajustar configurações e atualizar o software do seu Mini Converter. Você pode acessar essas configurações alternando entre as abas "Audio" e "About".

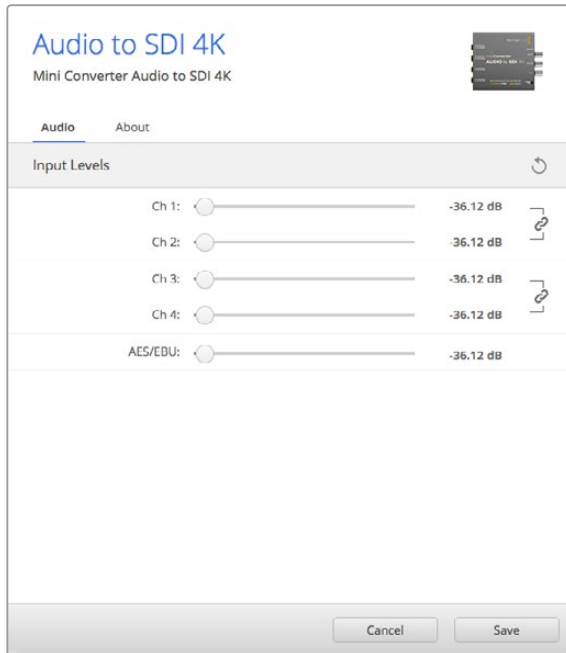
A aba "About" é detalhada na seção 'Ajustar Configurações' deste manual.

A aba "Audio" para o Mini Converter Audio to SDI 4K contém as configurações a seguir.



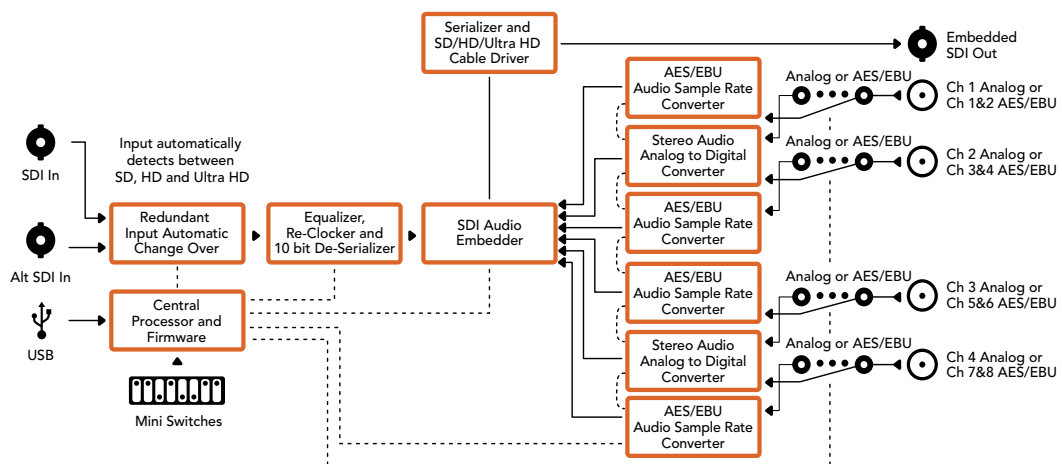
## Menu “Input Levels”

Este menu permite ajustar o ganho na entrada de áudio. Você pode ajustar os níveis de áudio por canal independentemente, ou em pares, ao clicar no ícone de link ao lado dos deslizadores. Para restaurar todos os níveis de áudio de volta a 0 dB, clique no botão “Reset” na parte superior do menu “Output Levels”.



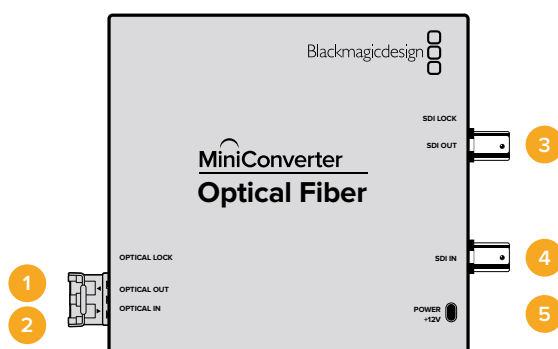
Use a aba “Audio” no Converters Setup para ajustar os níveis de áudio analógico.

## Esquema de Ligações do Mini Converter Audio to SDI 4K



## Mini Converter Optical Fiber

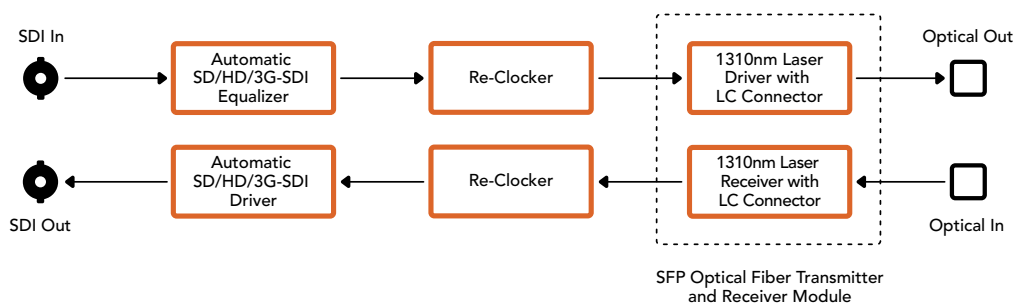
Com o Mini Converter Optical Fiber, você pode converter SDI para fibra óptica e fibra óptica para SDI simultaneamente. O Mini Converter Optical Fiber alterna entre os padrões de vídeo SDI SD/HD/3G automaticamente e cada direção é completamente independente. Utilize este conversor caso precise enviar e receber sinais SDI a distâncias mais longas do que aquelas suportadas pelos cabos SDI tradicionais. Vídeos SDI podem ser enviados por fibra óptica a até 45 km de distância ou 147000 pés. No entanto, a capacidade de transmissão dos cabos SDI de cobre, é de apenas 90 metros. 3G-SDI pode ser enviado a até 25 km de distância!



## Conectores

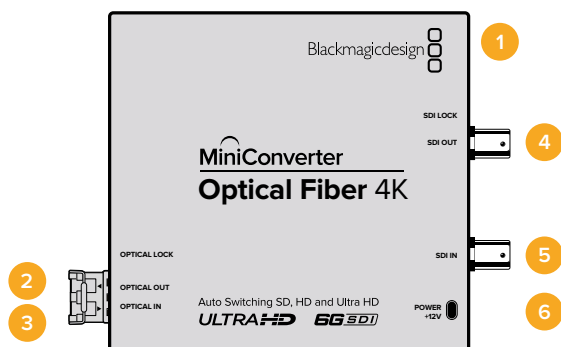
- 1 Optical Out**  
Saída de fibra óptica compatível com cabo de fibra óptica monomodo com conector LC.
- 2 Optical In**  
Entrada de fibra óptica compatível com cabo de fibra óptica monomodo com conector LC.
- 3 3G-SDI Out**  
Saída de vídeo SDI em conector BNC para conexão com equipamentos SDI convencionais.
- 4 3G-SDI In**  
Entrada de vídeo SDI em conector BNC para conexão com equipamentos SDI convencionais.
- 5 Power +12V**  
Entrada da fonte de alimentação de 12 volts.

## Esquema de Ligações do Mini Converter Optical Fiber



## Mini Converter Optical Fiber 4K

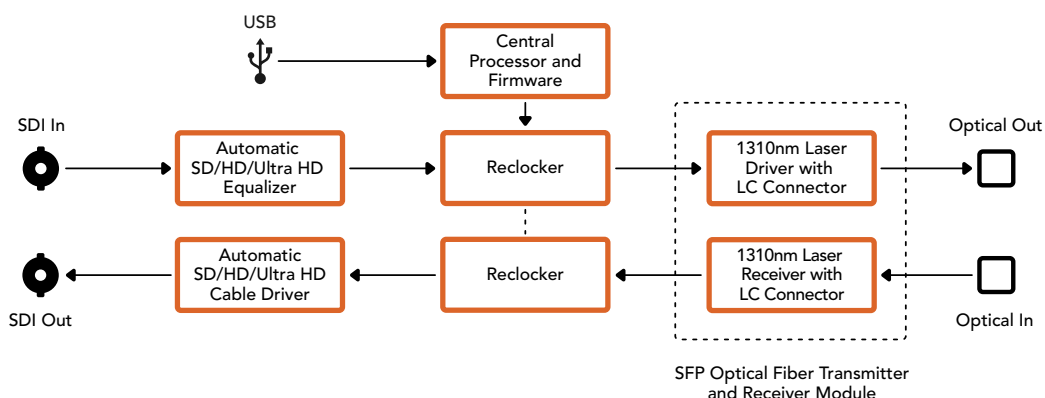
Converte simultaneamente SDI SD/HD e 6G de enlace único para fibra óptica e fibra óptica para SDI SD/HD e 6G de enlace único. O Mini Converter Optical Fiber 4K alterna automaticamente entre os padrões de vídeo SDI SD, HD, 3G e 6G e ambas as direções são completamente independentes. Utilize este conversor caso precise enviar e receber sinais SDI a distâncias mais longas do que aquelas suportadas pelos cabos SDI tradicionais. Vídeos SDI podem ser enviados por fibra óptica a até 45 km de distância ou 147000 pés. No entanto, a capacidade de transmissão dos cabos SDI de cobre, é de apenas 90 metros. 6G-SDI pode ser enviado a até 12 km de distância!



## Conectores

- 1 Mini-B USB Port**  
Software interno do Mini Converter atualizado através da porta USB.
- 2 Optical Out**  
Saída de fibra óptica compatível com cabo de fibra óptica monomodo com conector LC.
- 3 Optical In**  
Entrada de fibra óptica compatível com cabo de fibra óptica monomodo com conector LC.
- 4 SDI Out**  
Saída de vídeo SDI em conector BNC para conexão com equipamentos SDI convencionais.
- 5 SDI In**  
Entrada de vídeo SDI em conector BNC para conexão com equipamentos SDI convencionais.
- 6 Power +12V**  
Entrada da fonte de alimentação de 12 volts.

## Esquema de Ligações do Mini Converter Optical Fiber 4K



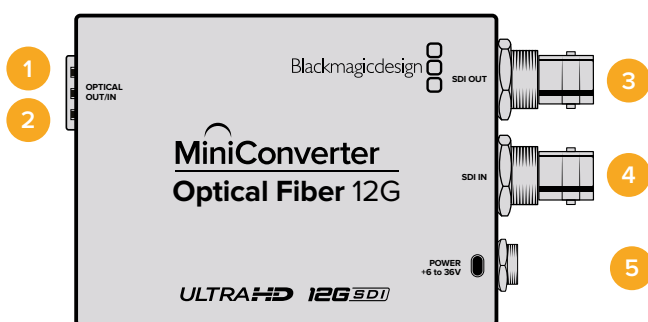
## Mini Converter Optical Fiber 12G

Este modelo converte vídeos SDI SD e HD de até 12G para fibra óptica e vice-versa simultaneamente.

A gaiola para fibra óptica pode ser equipada com um módulo SFP de fibra óptica compatível com SMPTE que suporta vídeos SDI de até 3G, 6G ou 12G.

O seu conversor detecta automaticamente o formato de entrada do vídeo e determina o formato de saída correspondente. Ambas as direções são completamente independentes.

Este conversor é útil quando é necessário enviar e receber sinais SDI a distâncias mais longas do que aquelas suportadas pelos cabos SDI tradicionais. Por exemplo, vídeos SDI podem ser enviados por fibra óptica a até 45 km ou 147.000 pés de distância. Os cabos SDI de cobre, no entanto, têm uma capacidade de transmissão de apenas 90 metros. 12G-SDI pode ser enviado a até 6 km de distância!



## Connectors

### 7 Optical Out

Saída de fibra óptica compatível com cabo de fibra óptica monomodo com conector LC.

### 8 Optical In

Entrada de fibra óptica compatível com cabo de fibra óptica monomodo com conector LC.

### 9 SDI Out

Saída de vídeo SDI em conector BNC para conexão com equipamentos SDI

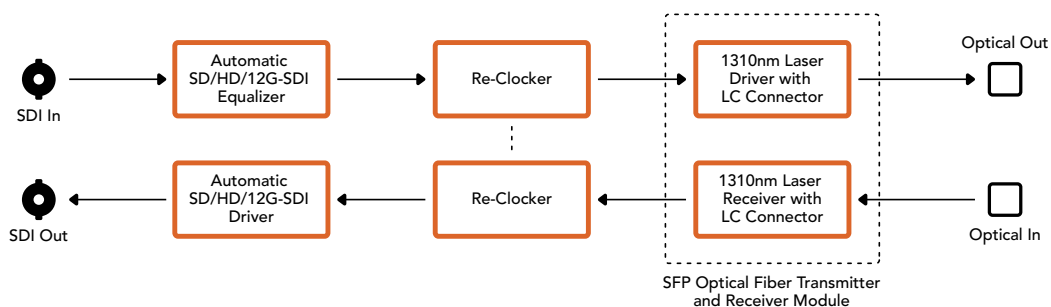
### 10 SDI In

Entrada de vídeo SDI em conector BNC para conexão com equipamentos SDI.

### 11 Power +6 to 36V

Entrada da fonte de alimentação de 6 a 36 volts. O parafuso de apoio pode ser fixado no conector de alimentação da unidade para prevenir desconexões acidentais.

## Mini Converter Optical Fiber 12G Block Diagram

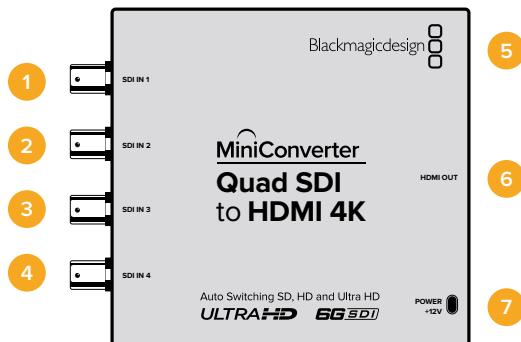


## Mini Converter Quad SDI to HDMI 4K

O seu Mini Converter Quad SDI to HDMI 4K permite conectar SDI Ultra HD de enlace único, duplo e quádruplo aos mais novos projetores e televisores compatíveis com Ultra HD através de uma única conexão HDMI. Você também pode converter as seguintes entradas para HDMI:

- SDI SD
- SDI HD
- SDI 3G de enlace único
- SDI 6G de enlace único
- SDI HD de enlace duplo
- SDI 3G Ultra HD de enlace duplo
- SDI HD e Ultra HD de enlace quádruplo

Caso a saída HDMI detecte um monitor HD ou uma HDTV, a conversão descendente do sinal de saída é feita automaticamente. Utilize apenas as entradas 1 e 2 com um sinal de enlace duplo válido.



## Conectores

Os formatos compatíveis estão listados sob cada saída SDI:

- 1 SDI In 1**
  - SDI SD e HD
  - SDI 3G de enlace único
  - SDI 6G de enlace único
  - Canal A HD-SDI de enlace duplo
  - Canal A 3G-SDI Ultra HD de enlace duplo
  - Canal A HD-SDI Ultra HD de enlace quádruplo
- 2 SDI In 2**
  - Canal B HD-SDI de enlace duplo
  - Canal B 3G-SDI Ultra HD de enlace duplo
  - Canal B HD-SDI Ultra HD de enlace quádruplo
- 3 SDI In 3**
  - Canal C HD-SDI Ultra HD de enlace quádruplo
- 4 SDI In 4**
  - Canal D HD-SDI Ultra HD de enlace quádruplo

## 5 MINI-B USB PORT

Conecta ao software Converters Setup através de computadores Mac OS X ou Windows. O software interno do Mini Converter também pode ser atualizado via a porta USB.

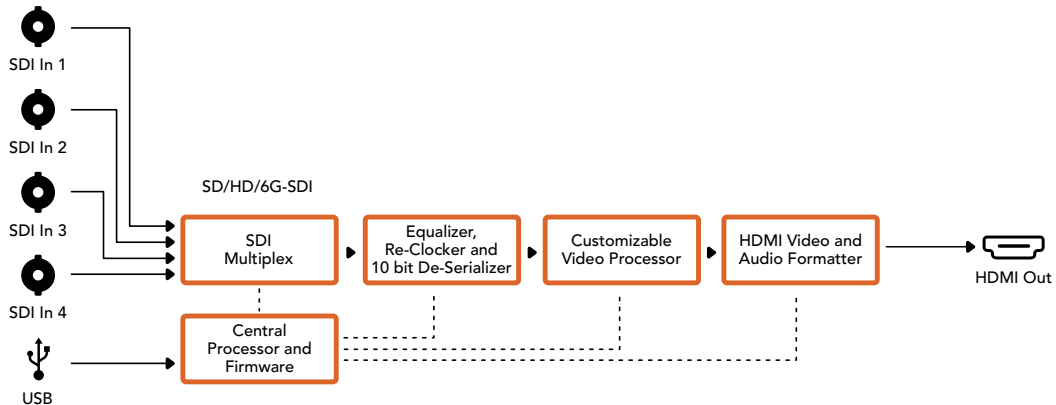
## 6 HDMI

Saída de vídeo HDMI tipo A

## 7 Power +12V

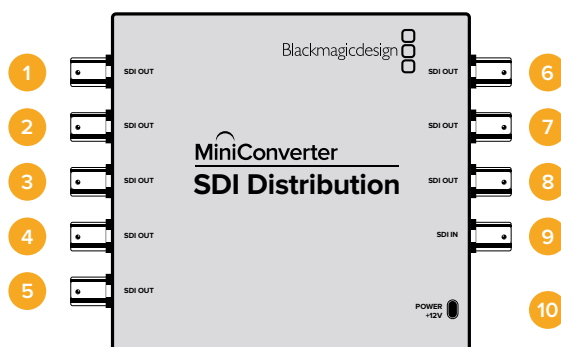
Entrada da fonte de alimentação de 12 volts

### Esquema de Ligações do Mini Converter Quad SDI to HDMI 4K



### Mini Converter SDI Distribution

O Mini Converter SDI Distribution permite distribuir uma conexão SDI em até oito dispositivos SDI, como decks, paredes de vídeo e switchers simultaneamente. Sempre que o formato de entrada de vídeo alternar entre SDI SD, HD ou 3G, o Mini Converter SDI Distribution oferece reclocking e comutação automática nas oito saídas com ajuste para os formatos de áudio embutido, dados ANC e ASI.



### Conectores

#### 1-8 SDI Out

Saída de vídeo SDI em conectores BNC.

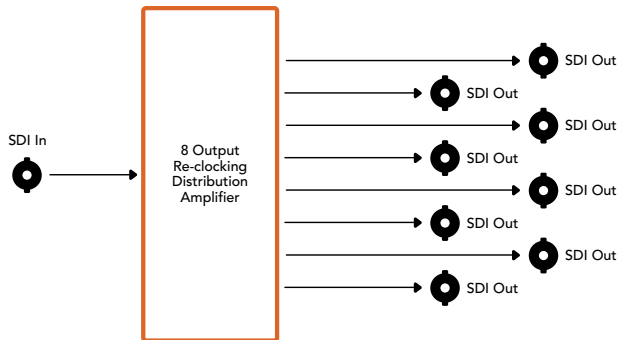
#### 9 SDI In

Entrada SDI.

#### 10 Power +12V

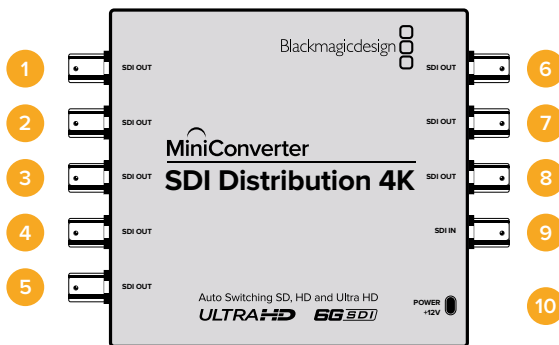
Entrada da fonte de alimentação de 12 volts.

## Esquema de Ligações do Mini Converter SDI Distribution



## Mini Converter SDI Distribution 4K

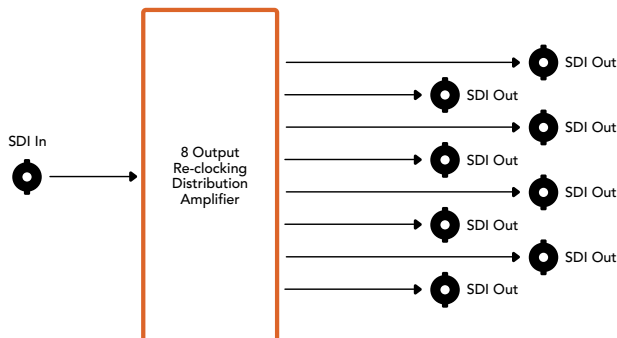
O Mini Converter SDI Distribution 4K permite distribuir uma conexão SDI em até oito dispositivos SDI, como decks, paredes de vídeo e switchers simultaneamente. Sempre que o formato de entrada de vídeo alternar entre SDI SD, HD, 3G ou 6G, o Mini Converter SDI Distribution oferece reclocking e comutação automática nas oito saídas com ajuste para os formatos de áudio embutido, dados ANC e ASI.



## Conectores

- 1-8 SDI Out**  
Saída de vídeo SDI em conectores BNC.
- 9 SDI In**  
Entrada SDI.
- 10 Power +12V**  
Entrada da fonte de alimentação de 12 volts.

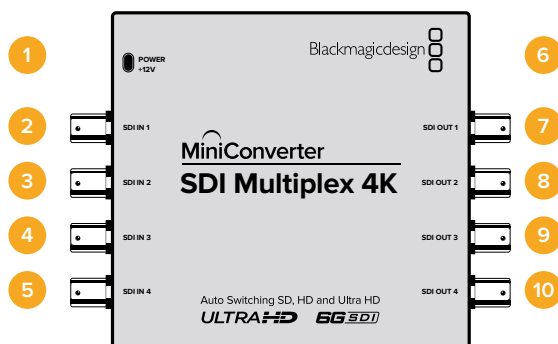
## Esquema de Ligações do Mini Converter SDI Distribution 4K



## Mini Converter SDI Multiplex 4K

Com o Mini Converter SDI Multiplex 4K, você pode realizar as seguintes conversões:

- Distribuir um sinal SDI SD/HD e 6G nas quatro saídas.
- Distribuir um sinal SDI HD de enlace duplo nas quatro saídas SDI 3G.
- SDI 3G de enlace único para SDI HD de enlace duplo. A saída de enlace duplo é distribuída em ambos os pares de saída.
- SDI 6G de enlace único para SDI 3G de enlace duplo ou SDI 1.5G de enlace quádruplo.
- SDI HD Ultra HD de enlace quádruplo para SDI 6G de enlace único, ou SDI 3G Ultra HD de enlace duplo para que você possa conectar fontes Ultra HD existentes a displays Ultra HD de enlace duplo. A saída de enlace duplo é distribuída nos dois pares de saídas.
- SDI 3G de enlace duplo para SDI 6G de enlace único.
- SDI 3G Ultra HD de enlace duplo para SDI HD Ultra HD de enlace quádruplo para que você possa conectar as fontes Ultra HD de enlace duplo mais recentes a displays Ultra HD de enlace quádruplo existentes.



## Conectores

### 1 Alimentação +12 V

- Entrada da fonte de alimentação de 12 volts.
- Formatos compatíveis com cada entrada SDI:

### 2 SDI In 1

- SDI SD e HD
- SDI 3G de enlace único
- SDI 6G de enlace único
- Canal A SDI HD de enlace duplo
- Canal A SDI 3G Ultra HD de enlace duplo
- Canal A HD-SDI Ultra HD de enlace quádruplo

### 3 SDI In 2

- Canal B SDI HD de enlace duplo
- Canal B SDI 3G Ultra HD de enlace duplo
- Canal B SDI HD Ultra HD de enlace quádruplo

### 4 SDI In 3

- Canal C SDI HD Ultra HD de enlace quádruplo

### 5 SDI In 4

- Canal D SDI HD Ultra HD de enlace quádruplo



## 6 Mini-B USB port

Conecta ao software Converters Setup através de computadores Mac OS X ou Windows. O software interno do Mini Converter também pode ser atualizado via a porta USB.

Os formatos compatíveis estão listados sob cada saída SDI:

## 7 SDI Out 1

- SDI SD e HD
- SDI 3G de enlace único
- SDI 6G de enlace único
- Canal A SDI HD de enlace duplo
- Canal A SDI 3G Ultra HD de enlace duplo
- Canal A SDI HD Ultra HD de enlace quádruplo

## 8 SDI Out 2

- SDI SD e HD
- SDI 3G de enlace único
- SDI 6G de enlace único
- Canal B SDI HD de enlace duplo
- Canal B SDI 3G Ultra HD de enlace duplo
- Canal B SDI HD Ultra HD de enlace quádruplo

## 9 SDI Out 3

- SDI SD e HD
- SDI 3G de enlace único
- SDI 6G de enlace único
- Canal A SDI HD de enlace duplo
- Canal A SDI 3G Ultra HD de enlace duplo
- Canal C SDI HD Ultra HD de enlace quádruplo

## 10 SDI Out 4

- SDI SD e HD
- SDI 3G de enlace único
- SDI 6G de enlace único
- Canal B SDI HD de enlace duplo
- Canal B SDI 3G Ultra HD de enlace duplo
- Canal D SDI HD Ultra HD de enlace quádruplo

## Chaves

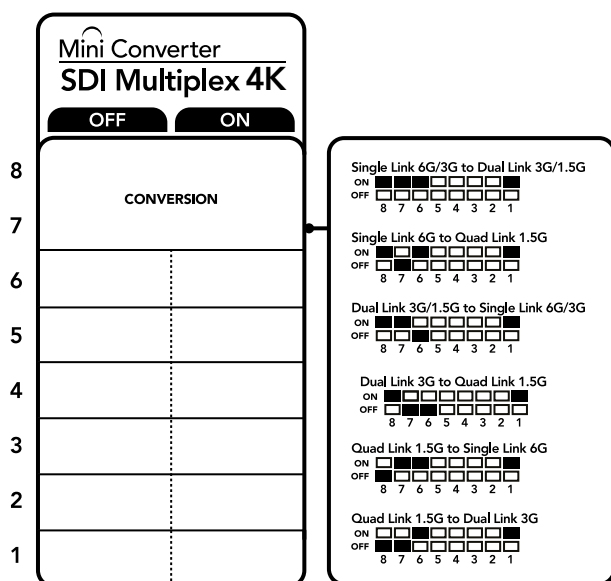
As chaves do Mini Converter SDI Multiplex 4K oferecem as configurações a seguir.

### Chaves 8, 7 e 6 - Format Conversion

Combinações das chaves 8, 7 e 6 ativam conversões como SDI HD de enlace duplo para SDI HD de enlace único, ou Ultra HD de enlace quádruplo para Ultra HD de enlace único.

### Chave 1 - Processing ON/OFF

Com a chave 1 na posição "OFF", o Mini Converter SDI Multiplex 4K atua como um amplificador de distribuição de 4 saídas SDI SD, HD e 6G.



A legenda das chaves na base do seu conversor fornece todas as informações necessárias para ajustar as configurações de conversões.

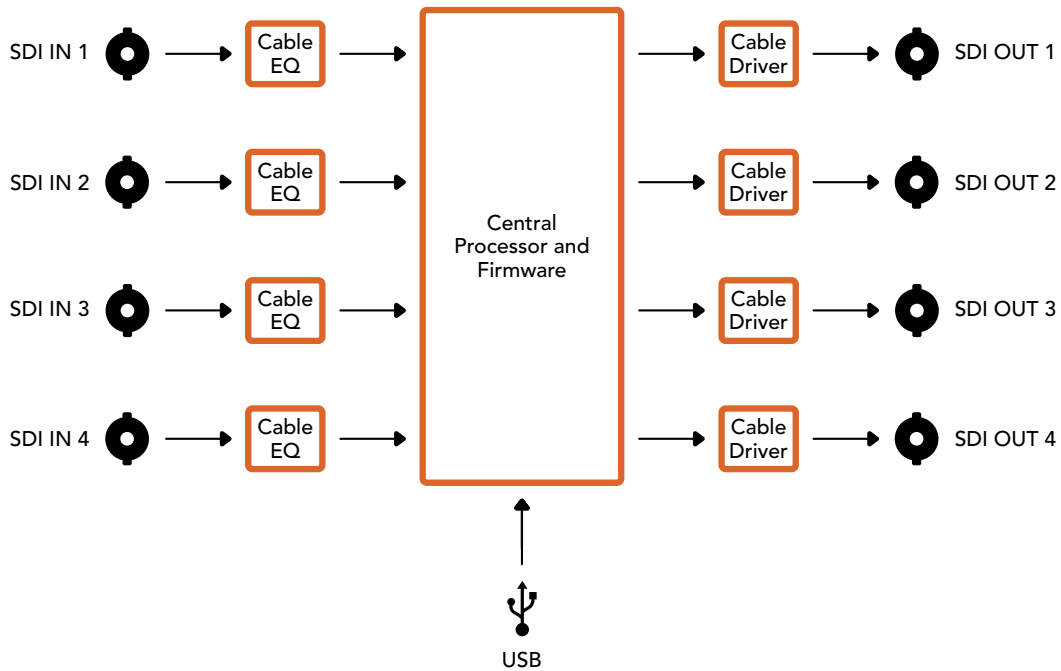
## Exemplo de Configurações das Minichaves

Converta Ultra HD de enlace quádruplo para Ultra HD de enlace duplo ao posicionar a chave 8 em “ON” e a chave 7 em “OFF”.

## Tabela de Conexões SDI

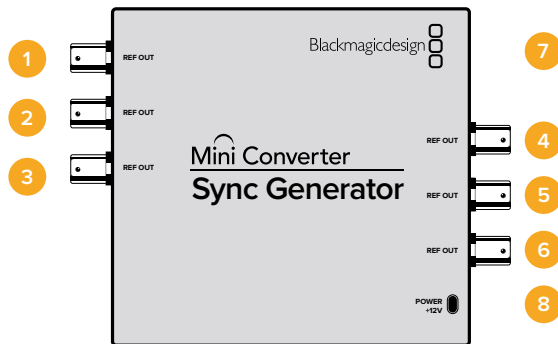
Conversão	Chave 8	Chave 7	Chave 6	Chave 1	Diagrama
SDI 6G/3G de enlace único para SDI 3G/1.5G de enlace duplo	ON	ON	ON	ON	ON <input checked="" type="checkbox"/> <input checked="" type="checkbox"/> <input checked="" type="checkbox"/> <input checked="" type="checkbox"/> <input checked="" type="checkbox"/> <input checked="" type="checkbox"/> <input checked="" type="checkbox"/> <input checked="" type="checkbox"/> OFF <input type="checkbox"/> <input type="checkbox"/> <input type="checkbox"/> <input type="checkbox"/> <input type="checkbox"/> <input type="checkbox"/> <input type="checkbox"/> <input type="checkbox"/>
SDI 6G de enlace único para SDI 1.5G de enlace quádruplo	ON	OFF	ON	ON	ON <input checked="" type="checkbox"/> <input checked="" type="checkbox"/> <input checked="" type="checkbox"/> <input checked="" type="checkbox"/> <input checked="" type="checkbox"/> <input checked="" type="checkbox"/> <input checked="" type="checkbox"/> <input checked="" type="checkbox"/> OFF <input type="checkbox"/> <input type="checkbox"/> <input type="checkbox"/> <input type="checkbox"/> <input type="checkbox"/> <input type="checkbox"/> <input type="checkbox"/> <input type="checkbox"/>
SDI 3G/1.5G de enlace duplo para SDI 6G/3G de enlace único	ON	ON	OFF	ON	ON <input type="checkbox"/> <input type="checkbox"/> <input type="checkbox"/> <input type="checkbox"/> <input type="checkbox"/> <input type="checkbox"/> <input type="checkbox"/> <input type="checkbox"/> OFF <input checked="" type="checkbox"/> <input checked="" type="checkbox"/> <input checked="" type="checkbox"/> <input checked="" type="checkbox"/> <input checked="" type="checkbox"/> <input checked="" type="checkbox"/> <input checked="" type="checkbox"/> <input checked="" type="checkbox"/>
SDI 3G de enlace duplo para SDI 1.5G de enlace quádruplo	ON	OFF	OFF	ON	ON <input checked="" type="checkbox"/> <input checked="" type="checkbox"/> <input checked="" type="checkbox"/> <input checked="" type="checkbox"/> <input checked="" type="checkbox"/> <input checked="" type="checkbox"/> <input checked="" type="checkbox"/> <input checked="" type="checkbox"/> OFF <input type="checkbox"/> <input type="checkbox"/> <input type="checkbox"/> <input type="checkbox"/> <input type="checkbox"/> <input type="checkbox"/> <input type="checkbox"/> <input type="checkbox"/>
SDI 1.5G de enlace quádruplo para SDI 6G de enlace único	OFF	ON	ON	ON	ON <input type="checkbox"/> <input checked="" type="checkbox"/> <input checked="" type="checkbox"/> <input checked="" type="checkbox"/> <input checked="" type="checkbox"/> <input checked="" type="checkbox"/> <input checked="" type="checkbox"/> <input checked="" type="checkbox"/> OFF <input checked="" type="checkbox"/> <input type="checkbox"/> <input type="checkbox"/> <input type="checkbox"/> <input type="checkbox"/> <input type="checkbox"/> <input type="checkbox"/>
SDI 1.5G de enlace quádruplo para SDI 3G de enlace duplo	OFF	OFF	ON	ON	ON <input type="checkbox"/> <input checked="" type="checkbox"/> <input checked="" type="checkbox"/> <input checked="" type="checkbox"/> <input checked="" type="checkbox"/> <input checked="" type="checkbox"/> <input checked="" type="checkbox"/> <input checked="" type="checkbox"/> OFF <input checked="" type="checkbox"/> <input type="checkbox"/> <input type="checkbox"/> <input type="checkbox"/> <input type="checkbox"/> <input type="checkbox"/> <input type="checkbox"/>

## Esquema de Ligações do Mini Converter SDI Multiplex 4K



## Mini Converter Sync Generator

O Mini Converter Sync Generator inclui seis saídas de referência de vídeo estabilizadas por cristal para sincronizar o seu equipamento de vídeo com um sinal de referência comum. O gerador de sincronismo produz sinais de sincronização HD em três níveis ou SD blackburst e é perfeito para estúdios pequenos e transmissões externas.



## Conectores

### 1-6 REF Out

Saída para sincronização de vídeos via conectores BNC.

### 7 Mini-B USB port

Conecta ao software Converters Setup através de computadores Mac OS X ou Windows. O software interno do Mini Converter também pode ser atualizado via a porta USB.

### 8 Power +12V

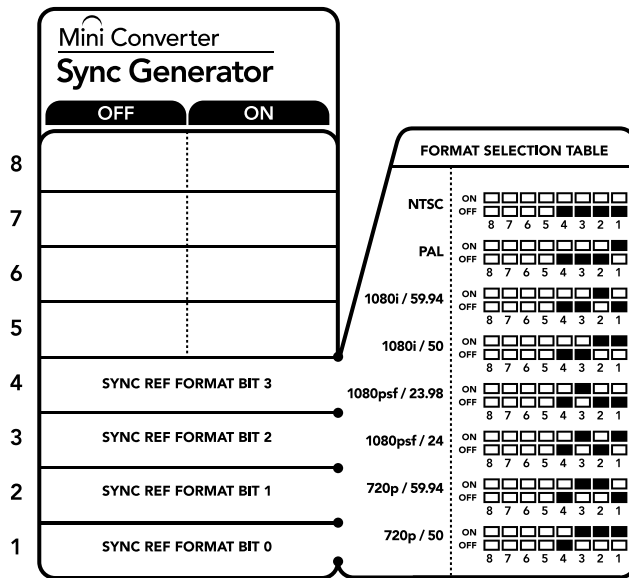
Entrada da fonte de alimentação de 12 volts.

## Chaves

As chaves do Mini Converter Sync Generator oferecem as configurações a seguir.

### Chave 4, 3, 2 e 1 - SYNC REF FORMAT BIT 3, 2, 1 e 0

As chaves 4, 3, 2 e 1 são agrupadas para selecionar diversos formatos de referência de vídeo, incluindo:



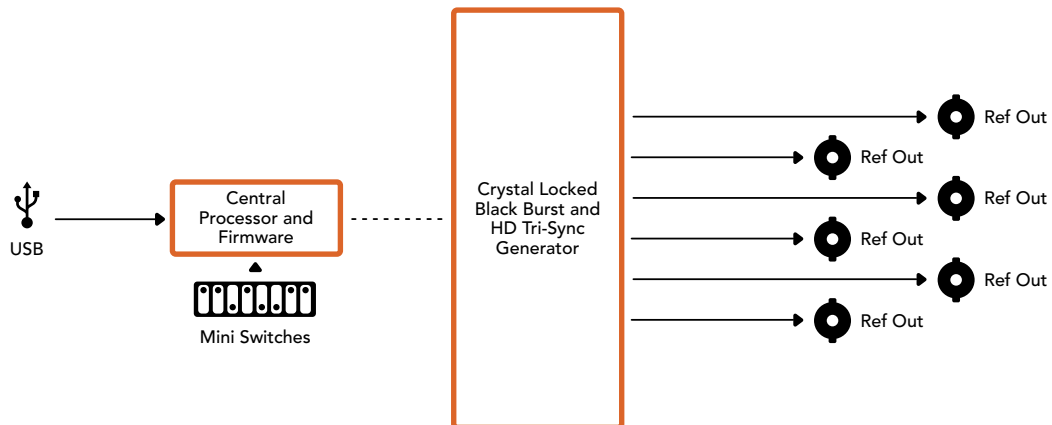
A legenda das chaves na base do seu conversor fornece todas as informações necessárias para ajustar as configurações de conversões.

### Tabela de Seleção de Formato de Vídeo

Formato de Vídeo	Chave 4	Chave 3	Chave 2	Chave 1	Diagrama
NTSC	OFF	OFF	OFF	OFF	ON <input type="checkbox"/> <input type="checkbox"/> <input type="checkbox"/> <input type="checkbox"/> <input type="checkbox"/> <input type="checkbox"/> <input type="checkbox"/> <input type="checkbox"/> <input type="checkbox"/> OFF <input type="checkbox"/> <input type="checkbox"/> <input type="checkbox"/> <input type="checkbox"/> <input type="checkbox"/> <input type="checkbox"/> <input type="checkbox"/> <input type="checkbox"/> <input type="checkbox"/>
PAL	OFF	OFF	OFF	ON	ON <input type="checkbox"/> <input type="checkbox"/> <input type="checkbox"/> <input type="checkbox"/> <input type="checkbox"/> <input type="checkbox"/> <input type="checkbox"/> <input type="checkbox"/> <input type="checkbox"/> OFF <input type="checkbox"/> <input type="checkbox"/> <input type="checkbox"/> <input type="checkbox"/> <input type="checkbox"/> <input type="checkbox"/> <input type="checkbox"/> <input type="checkbox"/> <input checked="" type="checkbox"/>
720p50	OFF	ON	ON	ON	ON <input type="checkbox"/> <input type="checkbox"/> <input type="checkbox"/> <input type="checkbox"/> <input type="checkbox"/> <input type="checkbox"/> <input type="checkbox"/> <input type="checkbox"/> <input type="checkbox"/> OFF <input type="checkbox"/> <input type="checkbox"/> <input type="checkbox"/> <input type="checkbox"/> <input checked="" type="checkbox"/> <input checked="" type="checkbox"/> <input type="checkbox"/> <input type="checkbox"/> <input type="checkbox"/>
720p59.94	OFF	ON	ON	OFF	ON <input type="checkbox"/> <input type="checkbox"/> <input type="checkbox"/> <input type="checkbox"/> <input type="checkbox"/> <input type="checkbox"/> <input type="checkbox"/> <input type="checkbox"/> <input type="checkbox"/> OFF <input type="checkbox"/> <input type="checkbox"/> <input type="checkbox"/> <input type="checkbox"/> <input checked="" type="checkbox"/> <input checked="" type="checkbox"/> <input type="checkbox"/> <input type="checkbox"/> <input type="checkbox"/>
720p60	ON	ON	ON	OFF	ON <input type="checkbox"/> <input type="checkbox"/> <input type="checkbox"/> <input type="checkbox"/> <input checked="" type="checkbox"/> <input checked="" type="checkbox"/> <input type="checkbox"/> <input type="checkbox"/> <input type="checkbox"/> OFF <input type="checkbox"/> <input type="checkbox"/> <input type="checkbox"/> <input type="checkbox"/> <input type="checkbox"/> <input type="checkbox"/> <input type="checkbox"/> <input type="checkbox"/> <input type="checkbox"/>
1080i50	OFF	OFF	ON	ON	ON <input type="checkbox"/> <input type="checkbox"/> <input type="checkbox"/> <input type="checkbox"/> <input type="checkbox"/> <input type="checkbox"/> <input type="checkbox"/> <input type="checkbox"/> <input type="checkbox"/> OFF <input type="checkbox"/> <input type="checkbox"/> <input type="checkbox"/> <input type="checkbox"/> <input checked="" type="checkbox"/> <input checked="" type="checkbox"/> <input type="checkbox"/> <input type="checkbox"/> <input type="checkbox"/>

Formato de Vídeo	Chave 4	Chave 3	Chave 2	Chave 1	Diagrama
1080i59.94	OFF	OFF	ON	OFF	ON <input type="checkbox"/> <input type="checkbox"/> <input type="checkbox"/> <input type="checkbox"/> <input type="checkbox"/> <input type="checkbox"/> <input type="checkbox"/> <input type="checkbox"/> <input type="checkbox"/> <input type="checkbox"/> OFF <input type="checkbox"/> <input type="checkbox"/> <input type="checkbox"/> <input type="checkbox"/> <input type="checkbox"/> <input type="checkbox"/> <input type="checkbox"/> <input type="checkbox"/> <input type="checkbox"/> <input type="checkbox"/> 8 7 6 5 4 3 2 1
1080i60	ON	OFF	OFF	OFF	ON <input type="checkbox"/> <input type="checkbox"/> <input type="checkbox"/> <input type="checkbox"/> <input type="checkbox"/> <input type="checkbox"/> <input type="checkbox"/> <input type="checkbox"/> <input type="checkbox"/> <input type="checkbox"/> OFF <input type="checkbox"/> <input type="checkbox"/> <input type="checkbox"/> <input type="checkbox"/> <input type="checkbox"/> <input type="checkbox"/> <input type="checkbox"/> <input type="checkbox"/> <input type="checkbox"/> <input type="checkbox"/> 8 7 6 5 4 3 2 1
1080PsF23.98	OFF	ON	OFF	OFF	ON <input type="checkbox"/> <input type="checkbox"/> <input type="checkbox"/> <input type="checkbox"/> <input type="checkbox"/> <input type="checkbox"/> <input type="checkbox"/> <input type="checkbox"/> <input type="checkbox"/> <input type="checkbox"/> OFF <input type="checkbox"/> <input type="checkbox"/> <input type="checkbox"/> <input type="checkbox"/> <input type="checkbox"/> <input type="checkbox"/> <input type="checkbox"/> <input type="checkbox"/> <input type="checkbox"/> <input type="checkbox"/> 8 7 6 5 4 3 2 1
1080PsF24	OFF	ON	OFF	ON	ON <input type="checkbox"/> <input type="checkbox"/> <input type="checkbox"/> <input type="checkbox"/> <input type="checkbox"/> <input type="checkbox"/> <input type="checkbox"/> <input type="checkbox"/> <input type="checkbox"/> <input type="checkbox"/> OFF <input type="checkbox"/> <input type="checkbox"/> <input type="checkbox"/> <input type="checkbox"/> <input type="checkbox"/> <input type="checkbox"/> <input type="checkbox"/> <input type="checkbox"/> <input type="checkbox"/> <input type="checkbox"/> 8 7 6 5 4 3 2 1
1080p23.98	ON	ON	OFF	ON	ON <input type="checkbox"/> <input type="checkbox"/> <input type="checkbox"/> <input type="checkbox"/> <input type="checkbox"/> <input type="checkbox"/> <input type="checkbox"/> <input type="checkbox"/> <input type="checkbox"/> <input type="checkbox"/> OFF <input type="checkbox"/> <input type="checkbox"/> <input type="checkbox"/> <input type="checkbox"/> <input type="checkbox"/> <input type="checkbox"/> <input type="checkbox"/> <input type="checkbox"/> <input type="checkbox"/> <input type="checkbox"/> 8 7 6 5 4 3 2 1
1080p24	ON	ON	OFF	OFF	ON <input type="checkbox"/> <input type="checkbox"/> <input type="checkbox"/> <input type="checkbox"/> <input type="checkbox"/> <input type="checkbox"/> <input type="checkbox"/> <input type="checkbox"/> <input type="checkbox"/> <input type="checkbox"/> OFF <input type="checkbox"/> <input type="checkbox"/> <input type="checkbox"/> <input type="checkbox"/> <input type="checkbox"/> <input type="checkbox"/> <input type="checkbox"/> <input type="checkbox"/> <input type="checkbox"/> <input type="checkbox"/> 8 7 6 5 4 3 2 1
1080p25	ON	OFF	ON	ON	ON <input type="checkbox"/> <input type="checkbox"/> <input type="checkbox"/> <input type="checkbox"/> <input type="checkbox"/> <input type="checkbox"/> <input type="checkbox"/> <input type="checkbox"/> <input type="checkbox"/> <input type="checkbox"/> OFF <input type="checkbox"/> <input type="checkbox"/> <input type="checkbox"/> <input type="checkbox"/> <input type="checkbox"/> <input type="checkbox"/> <input type="checkbox"/> <input type="checkbox"/> <input type="checkbox"/> <input type="checkbox"/> 8 7 6 5 4 3 2 1
1080p29.97	ON	OFF	ON	OFF	ON <input type="checkbox"/> <input type="checkbox"/> <input type="checkbox"/> <input type="checkbox"/> <input type="checkbox"/> <input type="checkbox"/> <input type="checkbox"/> <input type="checkbox"/> <input type="checkbox"/> <input type="checkbox"/> OFF <input type="checkbox"/> <input type="checkbox"/> <input type="checkbox"/> <input type="checkbox"/> <input type="checkbox"/> <input type="checkbox"/> <input type="checkbox"/> <input type="checkbox"/> <input type="checkbox"/> <input type="checkbox"/> 8 7 6 5 4 3 2 1
1080p30	ON	OFF	OFF	ON	ON <input type="checkbox"/> <input type="checkbox"/> <input type="checkbox"/> <input type="checkbox"/> <input type="checkbox"/> <input type="checkbox"/> <input type="checkbox"/> <input type="checkbox"/> <input type="checkbox"/> <input type="checkbox"/> OFF <input type="checkbox"/> <input type="checkbox"/> <input type="checkbox"/> <input type="checkbox"/> <input type="checkbox"/> <input type="checkbox"/> <input type="checkbox"/> <input type="checkbox"/> <input type="checkbox"/> <input type="checkbox"/> 8 7 6 5 4 3 2 1

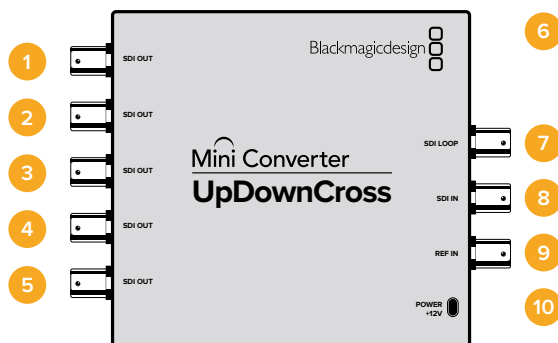
### Esquema de Ligações do Mini Converter Sync Generator



## Mini Converter UpDownCross

O Mini Converter UpDownCross inclui conversões ascendente, descendente e cruzada, assim como conversão de padrões NTSC/PAL e conversão de formatos. O Mini Converter UpDownCross é capaz de converter entre formatos de vídeo como 720p para 1080i e padrões de vídeo PAL e NTSC. Também oferece conversões ascendentes com proporções de tela como 4:3 tarjas laterais e 16:9 zoom, bem como opções de conversão descendente como 4:3 letterbox e 16:9 anamórfico.

Com o processamento de conversão na posição “OFF”, o miniconversor atua como um amplificador de distribuição SDI.



## Conectores

### 1-5 SDI Out

Saídas de vídeo SDI via conectores BNC.

### 6 Mini-B USB port

Conecta ao software Converters Setup através de computadores Mac OS X ou Windows. O software interno do Mini Converter também pode ser atualizado via a porta USB.

### 7 SDI LOOP

Saída direta da sua entrada de vídeo.

### 8 SDI IN

Entrada SDI.

### 9 REF IN

Entrada de sincronização de vídeo.

### 10 Power +12V

Entrada da fonte de alimentação de 12 volts.

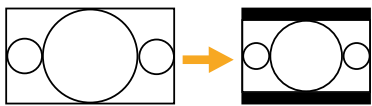

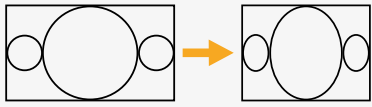

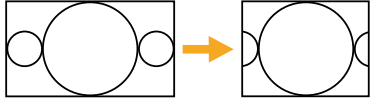

## Chaves

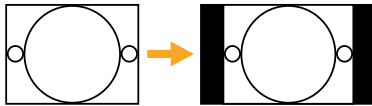

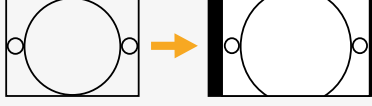
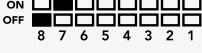
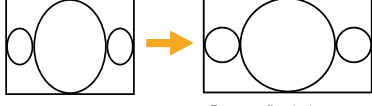
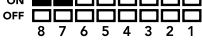
As chaves do Mini Converter UpDownCross oferecem as configurações a seguir.

### Chave 8 - Aspect Ratio Conversion

As combinações das chaves 8 e 7 configuram a proporção de tela durante a conversão ascendente ou descendente de vídeo. Por exemplo, na conversão descendente, a proporção de tela letterbox é aplicada ao configurar as chaves 8 e 7 como “OFF”.

Tabela de Conversão de Proporção de Tela

Conversão Descendente		Chave 8	Chave 7	Diagrama
Letterbox	 <p>Proporção de Imagem 16:9 → Proporção de Imagem 4:3</p>	OFF	OFF	
Anamórfico	 <p>Proporção de Imagem 16:9 → Proporção de Imagem 4:3</p>	OFF	ON	
Corte Central	 <p>Proporção de Imagem 16:9 → Proporção de Imagem 4:3</p>	ON	ON	

Conversão Ascendente		Chave 8	Chave 7	Diagrama
4:3 Tarjas Laterais	 <p>Proporção de Imagem 4:3 → Proporção de Imagem 16:9</p>	OFF	OFF	
14:9 Tarjas Laterais	 <p>Proporção de Imagem 4:3 → Proporção de Imagem 16:9</p>	OFF	ON	
16:9 De-Squeeze	 <p>Proporção de Imagem 4:3 → Proporção de Imagem 16:9</p>	ON	ON	

Como você pode notar, as chaves 8 e 7 compartilham configurações para conversões ascendentes e descendentes. Isto ocorre porque as configurações de proporção de tela são determinadas pelas configurações de saída. Por exemplo, com as chaves 3 e 2 configuradas para saída 1080i50 HD e a chave de processamento 1 na posição "ON", o Mini Converter UpDownCross configurará as chaves 8 e 7 para conversão descendente automaticamente.

Segue abaixo uma descrição de cada conversão de proporção de tela:

### Conversão ascendente

- **4:3 Tarjas Laterais:** Esta configuração exibe definição padrão em 4:3 dentro de um quadro de alta definição em 16:9. Tarjas pretas são exibidas nas laterais.
- **14:9 Tarjas Laterais:** Esta configuração é um meio-termo entre 4:3 tarjas laterais e 16:9 zoom. A imagem de definição padrão em 4:3 é levemente ampliada, permitindo mais imagem no quadro 16:9 e reduzindo o tamanho das tarjas pretas nas laterais, porém com uma pequena perda nas partes superior e inferior.
- **16:9 Descompressão:** Esta configuração realiza uma descompressão da imagem anamórfica de definição padrão em 4:3 até o preenchimento total do quadro 16:9. Nenhuma parte da imagem 4:3 é perdida.

### Conversão Descendente

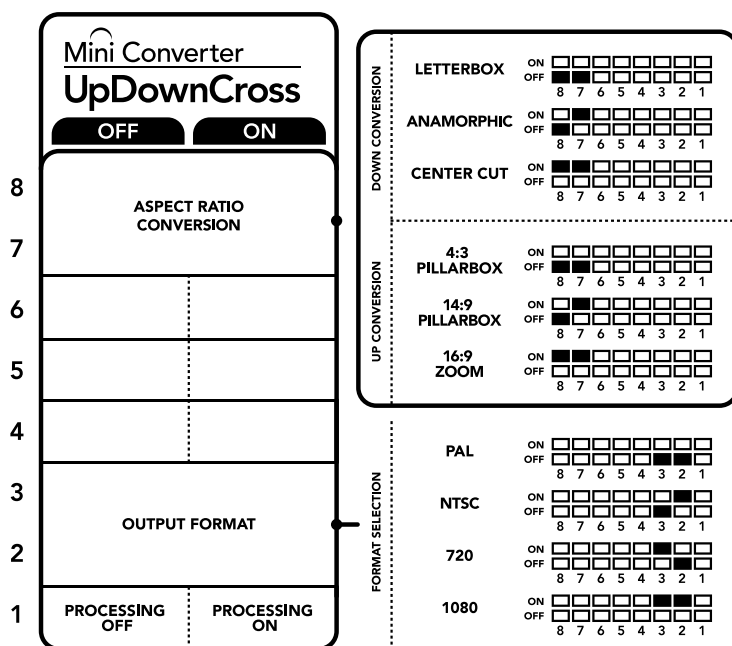
- **Letterbox:** Esta configuração redimensiona a imagem de alta definição em 16:9 para definição padrão em 4:3 sem descompressão, com tarjas pretas nas partes superior e inferior.
- **Anamórfico:** Esta configuração encolhe a imagem 16:9 HD horizontalmente em um quadro SD 4:3.
- **Corte Central:** Esta configuração recorta um quadro SD em 4:3 a partir de uma imagem HD em 16:9. Esta configuração de proporção de tela descarta um trecho de cada lateral da imagem 16:9.

### Chave 1 - Processing Off - Processing On

Quando a chave está na posição 1, todas as conversões são contornadas e o miniconversor pode ser usado para distribuir o seu vídeo para seis dispositivos SDI.

### Exemplo de Configurações das Minichaves:

Configure o conversor para realizar a conversão ascendente de vídeo 625i50 em 4:3 para 1080i50 com proporção de tela 4:3 de tarjas laterais ao colocar as chaves 8 e 7 na posição "OFF" e as chaves 3, 2 e 1 na posição "ON".



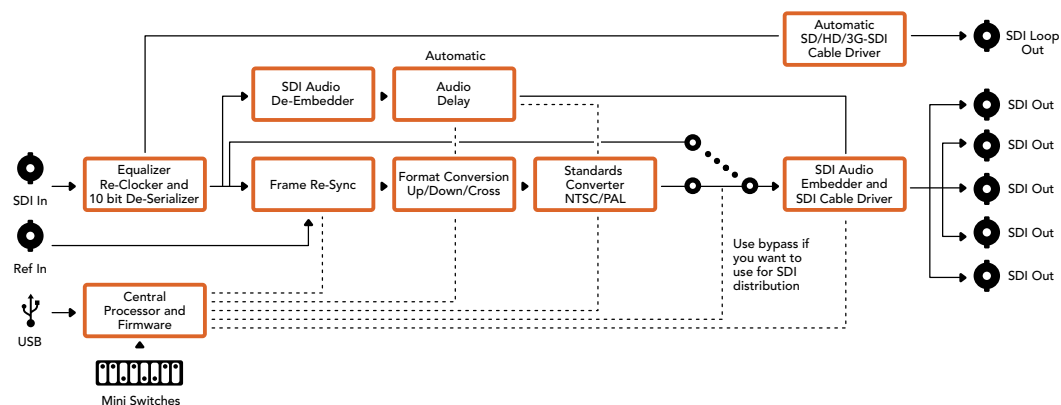
A legenda das chaves na base do seu conversor fornece todas as informações necessárias para ajustar as configurações de conversões.



## Tabela de Conversão do Mini Converter UpDownCross

<b>Entrada de Vídeo</b>	<b>NTSC</b> Chaves 1 e 2 ON	<b>PAL</b> Chave 1 ON	<b>720p</b> Chaves 1 e 3 ON	<b>1080</b> Chaves 1, 2 e 3 ON
525i59.94	525i59.94	625i50	720p59.94	1080i59.94
625i50	525i59.94	625i50	720p50	1080i50
720p50	525i59.94	625i50	720p50	1080i50
720p59.94	525i59.94	625i50	720p59.94	1080i59.94
720p60	525i59.94	625i50	720p60	1080i60
1080PsF23.98	525i59.94	625i50	720p59.94	1080PsF23.98
1080p23.98	525i59.94	625i50	720p59.94	1080p23.98
1080PsF24	525i59.94	625i50	720p50	1080PsF24
1080p24	525i59.94	625i50	720p50	1080p24
1080p25	525i59.94	625i50	720p50	1080p25
1080p29.97	525i59.94	625i50	720p59.94	1080p29.97
1080p30	525i59.94	625i50	720p60	1080p30
1080i50	525i59.94	625i50	720p50	1080i50
1080i59.94	525i59.94	625i50	720p59.94	1080i59.94
1080i60	525i59.94	625i50	720p60	1080i60
1080p50	525i59.94	625i50	720p50	1080p50
1080p59.94	525i59.94	625i50	720p59.94	1080p59.94
1080p60	525i59.94	625i50	720p60	1080p60
2048x1556PsF23.98	525i59.94	625i50	2048x1556PsF23.98	2048x1556PsF23.98
2048x1556PsF24	525i59.94	625i50	2048x1556PsF24	2048x1556PsF24
2048x1556PsF25	525i59.94	625i50	2048x1556PsF25	2048x1556PsF25

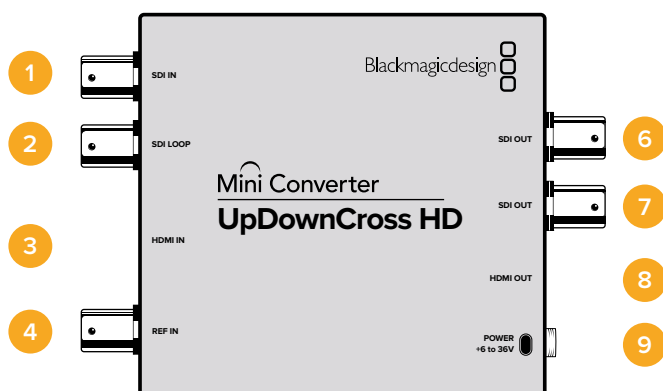
## Esquema de Ligações do Mini Converter UpDownCross



## Mini Converter UpDownCross HD

O Mini Converter UpDownCross HD é um conversor de padrões eficiente capaz de converter qualquer formato de vídeo HD ou SD com conversões ascendente, descendente ou cruzada via SDI e HDMI. Este modelo é compatível com todos os formatos SD e HD de até 1080p60, além de NTSC e PAL com opções de proporções de tela para conversões ascendente e descendente. A entrada HDMI também aceita resoluções de saída 1024 x 768, 800 x 600 e 640 x 480.

Quando o processamento de conversão está configurado como “OFF”, as saídas SDI e HDMI tornam-se saídas loop para que você possa alimentar o sinal de entrada a outros equipamentos HDMI e SDI.



## Connectors

### 1 SDI IN

Entrada SDI. O pequeno LED próximo ao conector BNC acende quando um sinal SDI bloqueado é detectado. Quando ambas as entradas SDI e HDMI estão conectadas, a entrada SDI tem prioridade.

### 2 SDI LOOP

Saída loop direta do vídeo de entrada SDI.

### 3 HDMI IN

Entrada de vídeo HDMI tipo A. Um pequeno LED próximo ao conector “HDMI IN” acende para indicar que detectou uma entrada HDMI válida.

### 4 REF IN

Entrada de sincronização de vídeo. Um pequeno LED próximo ao conector “REF IN” indica o status do bloqueio de referência: Branco constante - “REF IN” corresponde ao formato do vídeo de saída configurado no conversor. Branco piscando - “REF IN” é um formato de vídeo válido, mas não corresponde ao formato do vídeo de saída configurado no conversor.

### 5 USB-C PORT

Conecta ao software Converters Setup através de computadores Mac OS X ou Windows. O software interno do Mini Converter também pode ser atualizado utilizando a porta USB.

### 6-7 SDI OUT

Saída de vídeo SDI via conectores BNC.

### 8 HDMI OUT

Saída de vídeo HDMI tipo A.

### 9 POWER +6 to 36V

Entrada da fonte de alimentação de 6 a 36 volts. O parafuso de apoio pode ser fixado no conector de alimentação da unidade para prevenir desconexões acidentais. Um pequeno LCD próximo ao conector de entrada DC acende quando a alimentação é conectada.

## Chaves

As chaves do Mini Converter UpDownCross HD oferecem as configurações a seguir.

### Chave 1 - Processing Off - Processing On

Quando a chave 1 está na posição “OFF”, todas as conversões são contornadas e o conversor pode ser usado para distribuir o seu vídeo tanto pelas saídas SDI quanto HDMI.

Com a chave 1 na posição “OFF”, as saídas SDI e HDMI correspondem às suas entradas.

Com a chave 1 na posição “ON”, o processamento é habilitado e as chaves de 4 a 8 configuram a saída do conversor.

### Chave 2 - Level A and Level B 3G-SDI

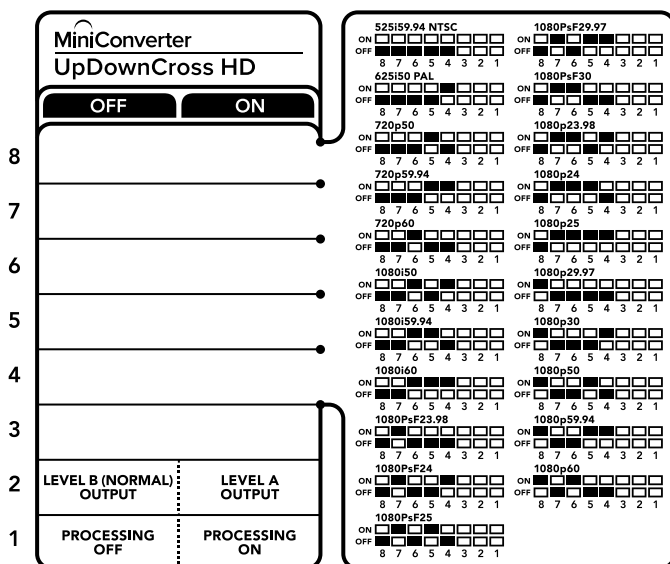
Quando a chave 2 está na posição “OFF”, o conversor faz a saída em 3G-SDI nível B. Já na posição “ON”, o conversor faz a saída em 3G-SDI nível A. Isto proporciona compatibilidade com outros equipamentos SDI que utilizam 3G-SDI nível A ou nível B.

**DICA** Se você tiver conectado um sinal 3G-SDI a um equipamento 3G-SDI e o sinal não for detectado, tente alterar a configuração da chave 2, já que o equipamento ao qual você está conectado pode estar usando um nível SDI alternativo.

### Chaves 4 - 8

As chaves de 4 a 8 determinam o formato e o padrão do sinal de saída do conversor. A configuração para cada formato e padrão da chave é apresentada na tabela na base da unidade.

Exemplo de Configurações das Minichaves:



## Tabela de Seleção de Formato de Vídeo

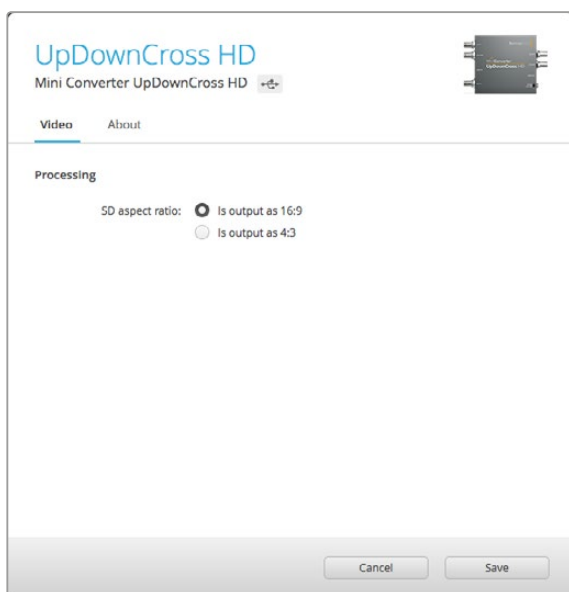
Formato de Vídeo	Chave 8	Chave 7	Chave 6	Chave 5	Chave 4	Diagrama
525i59.94 NTSC	OFF	OFF	OFF	OFF	OFF	ON <input type="checkbox"/> <input type="checkbox"/> <input type="checkbox"/> <input type="checkbox"/> <input type="checkbox"/> <input type="checkbox"/> <input type="checkbox"/> <input type="checkbox"/> OFF <input checked="" type="checkbox"/> <input checked="" type="checkbox"/> <input checked="" type="checkbox"/> <input checked="" type="checkbox"/> <input checked="" type="checkbox"/> <input checked="" type="checkbox"/> <input checked="" type="checkbox"/> <input checked="" type="checkbox"/> 8 7 6 5 4 3 2 1
625i50 PAL	OFF	OFF	OFF	OFF	ON	ON <input type="checkbox"/> <input type="checkbox"/> <input type="checkbox"/> <input type="checkbox"/> <input type="checkbox"/> <input type="checkbox"/> <input type="checkbox"/> <input type="checkbox"/> OFF <input checked="" type="checkbox"/> <input checked="" type="checkbox"/> <input checked="" type="checkbox"/> <input checked="" type="checkbox"/> <input checked="" type="checkbox"/> <input checked="" type="checkbox"/> <input checked="" type="checkbox"/> <input checked="" type="checkbox"/> 8 7 6 5 4 3 2 1
720p50	OFF	OFF	OFF	ON	OFF	ON <input type="checkbox"/> <input type="checkbox"/> <input checked="" type="checkbox"/> <input checked="" type="checkbox"/> <input checked="" type="checkbox"/> <input checked="" type="checkbox"/> <input checked="" type="checkbox"/> <input checked="" type="checkbox"/> OFF <input checked="" type="checkbox"/> <input checked="" type="checkbox"/> <input checked="" type="checkbox"/> <input checked="" type="checkbox"/> <input checked="" type="checkbox"/> <input checked="" type="checkbox"/> <input checked="" type="checkbox"/> <input checked="" type="checkbox"/> 8 7 6 5 4 3 2 1
720p59.94	OFF	OFF	OFF	ON	ON	ON <input type="checkbox"/> <input type="checkbox"/> <input checked="" type="checkbox"/> <input checked="" type="checkbox"/> <input checked="" type="checkbox"/> <input checked="" type="checkbox"/> <input checked="" type="checkbox"/> <input checked="" type="checkbox"/> OFF <input checked="" type="checkbox"/> <input checked="" type="checkbox"/> <input checked="" type="checkbox"/> <input checked="" type="checkbox"/> <input checked="" type="checkbox"/> <input checked="" type="checkbox"/> <input checked="" type="checkbox"/> <input checked="" type="checkbox"/> 8 7 6 5 4 3 2 1
720p60	OFF	OFF	ON	OFF	ON	ON <input type="checkbox"/> <input checked="" type="checkbox"/> <input checked="" type="checkbox"/> <input checked="" type="checkbox"/> <input checked="" type="checkbox"/> <input checked="" type="checkbox"/> <input checked="" type="checkbox"/> <input checked="" type="checkbox"/> OFF <input checked="" type="checkbox"/> <input checked="" type="checkbox"/> <input checked="" type="checkbox"/> <input checked="" type="checkbox"/> <input checked="" type="checkbox"/> <input checked="" type="checkbox"/> <input checked="" type="checkbox"/> <input checked="" type="checkbox"/> 8 7 6 5 4 3 2 1
1080i50	OFF	OFF	ON	OFF	ON	ON <input type="checkbox"/> <input type="checkbox"/> <input checked="" type="checkbox"/> <input checked="" type="checkbox"/> <input checked="" type="checkbox"/> <input checked="" type="checkbox"/> <input checked="" type="checkbox"/> <input checked="" type="checkbox"/> OFF <input checked="" type="checkbox"/> <input checked="" type="checkbox"/> <input checked="" type="checkbox"/> <input checked="" type="checkbox"/> <input checked="" type="checkbox"/> <input checked="" type="checkbox"/> <input checked="" type="checkbox"/> <input checked="" type="checkbox"/> 8 7 6 5 4 3 2 1
1080i59.94	OFF	OFF	ON	ON	OFF	ON <input type="checkbox"/> <input checked="" type="checkbox"/> <input checked="" type="checkbox"/> <input checked="" type="checkbox"/> <input checked="" type="checkbox"/> <input checked="" type="checkbox"/> <input checked="" type="checkbox"/> <input checked="" type="checkbox"/> OFF <input checked="" type="checkbox"/> <input checked="" type="checkbox"/> <input checked="" type="checkbox"/> <input checked="" type="checkbox"/> <input checked="" type="checkbox"/> <input checked="" type="checkbox"/> <input checked="" type="checkbox"/> <input checked="" type="checkbox"/> 8 7 6 5 4 3 2 1
1080i60	OFF	OFF	ON	ON	ON	ON <input type="checkbox"/> <input checked="" type="checkbox"/> <input checked="" type="checkbox"/> <input checked="" type="checkbox"/> <input checked="" type="checkbox"/> <input checked="" type="checkbox"/> <input checked="" type="checkbox"/> <input checked="" type="checkbox"/> OFF <input checked="" type="checkbox"/> <input checked="" type="checkbox"/> <input checked="" type="checkbox"/> <input checked="" type="checkbox"/> <input checked="" type="checkbox"/> <input checked="" type="checkbox"/> <input checked="" type="checkbox"/> <input checked="" type="checkbox"/> 8 7 6 5 4 3 2 1
1080PsF23.98	OFF	ON	OFF	OFF	OFF	ON <input checked="" type="checkbox"/> <input checked="" type="checkbox"/> <input checked="" type="checkbox"/> <input checked="" type="checkbox"/> <input checked="" type="checkbox"/> <input checked="" type="checkbox"/> <input checked="" type="checkbox"/> <input checked="" type="checkbox"/> OFF <input type="checkbox"/> <input type="checkbox"/> <input type="checkbox"/> <input type="checkbox"/> <input type="checkbox"/> <input type="checkbox"/> <input type="checkbox"/> <input type="checkbox"/> 8 7 6 5 4 3 2 1
1080PsF24	OFF	ON	OFF	OFF	ON	ON <input checked="" type="checkbox"/> <input checked="" type="checkbox"/> <input checked="" type="checkbox"/> <input checked="" type="checkbox"/> <input checked="" type="checkbox"/> <input checked="" type="checkbox"/> <input checked="" type="checkbox"/> <input checked="" type="checkbox"/> OFF <input type="checkbox"/> <input type="checkbox"/> <input type="checkbox"/> <input type="checkbox"/> <input type="checkbox"/> <input type="checkbox"/> <input type="checkbox"/> <input type="checkbox"/> 8 7 6 5 4 3 2 1
1080PsF25	OFF	ON	OFF	ON	OFF	ON <input checked="" type="checkbox"/> <input checked="" type="checkbox"/> <input checked="" type="checkbox"/> <input checked="" type="checkbox"/> <input checked="" type="checkbox"/> <input checked="" type="checkbox"/> <input checked="" type="checkbox"/> <input checked="" type="checkbox"/> OFF <input type="checkbox"/> <input type="checkbox"/> <input type="checkbox"/> <input type="checkbox"/> <input type="checkbox"/> <input type="checkbox"/> <input type="checkbox"/> <input type="checkbox"/> 8 7 6 5 4 3 2 1
1080PsF29.97	OFF	ON	OFF	ON	ON	ON <input checked="" type="checkbox"/> <input checked="" type="checkbox"/> <input checked="" type="checkbox"/> <input checked="" type="checkbox"/> <input checked="" type="checkbox"/> <input checked="" type="checkbox"/> <input checked="" type="checkbox"/> <input checked="" type="checkbox"/> OFF <input type="checkbox"/> <input type="checkbox"/> <input type="checkbox"/> <input type="checkbox"/> <input type="checkbox"/> <input type="checkbox"/> <input type="checkbox"/> <input type="checkbox"/> 8 7 6 5 4 3 2 1
1080PsF30	OFF	ON	ON	OFF	OFF	ON <input checked="" type="checkbox"/> <input checked="" type="checkbox"/> <input checked="" type="checkbox"/> <input checked="" type="checkbox"/> <input checked="" type="checkbox"/> <input checked="" type="checkbox"/> <input checked="" type="checkbox"/> <input checked="" type="checkbox"/> OFF <input type="checkbox"/> <input type="checkbox"/> <input type="checkbox"/> <input type="checkbox"/> <input type="checkbox"/> <input type="checkbox"/> <input type="checkbox"/> <input type="checkbox"/> 8 7 6 5 4 3 2 1
1080p23.98	OFF	ON	ON	OFF	ON	ON <input checked="" type="checkbox"/> <input checked="" type="checkbox"/> <input checked="" type="checkbox"/> <input checked="" type="checkbox"/> <input checked="" type="checkbox"/> <input checked="" type="checkbox"/> <input checked="" type="checkbox"/> <input checked="" type="checkbox"/> OFF <input type="checkbox"/> <input type="checkbox"/> <input type="checkbox"/> <input type="checkbox"/> <input type="checkbox"/> <input type="checkbox"/> <input type="checkbox"/> <input type="checkbox"/> 8 7 6 5 4 3 2 1
1080p24	OFF	ON	ON	ON	OFF	ON <input checked="" type="checkbox"/> <input checked="" type="checkbox"/> <input checked="" type="checkbox"/> <input checked="" type="checkbox"/> <input checked="" type="checkbox"/> <input checked="" type="checkbox"/> <input checked="" type="checkbox"/> <input checked="" type="checkbox"/> OFF <input type="checkbox"/> <input type="checkbox"/> <input type="checkbox"/> <input type="checkbox"/> <input type="checkbox"/> <input type="checkbox"/> <input type="checkbox"/> <input type="checkbox"/> 8 7 6 5 4 3 2 1
1080p25	OFF	ON	ON	ON	ON	ON <input checked="" type="checkbox"/> <input checked="" type="checkbox"/> <input checked="" type="checkbox"/> <input checked="" type="checkbox"/> <input checked="" type="checkbox"/> <input checked="" type="checkbox"/> <input checked="" type="checkbox"/> <input checked="" type="checkbox"/> OFF <input type="checkbox"/> <input type="checkbox"/> <input type="checkbox"/> <input type="checkbox"/> <input type="checkbox"/> <input type="checkbox"/> <input type="checkbox"/> <input type="checkbox"/> 8 7 6 5 4 3 2 1
1080p29.97	OFF	ON	ON	ON	OFF	ON <input checked="" type="checkbox"/> <input checked="" type="checkbox"/> <input checked="" type="checkbox"/> <input checked="" type="checkbox"/> <input checked="" type="checkbox"/> <input checked="" type="checkbox"/> <input checked="" type="checkbox"/> <input checked="" type="checkbox"/> OFF <input type="checkbox"/> <input type="checkbox"/> <input type="checkbox"/> <input type="checkbox"/> <input type="checkbox"/> <input type="checkbox"/> <input type="checkbox"/> <input type="checkbox"/> 8 7 6 5 4 3 2 1
1080p30	ON	OFF	OFF	OFF	ON	ON <input checked="" type="checkbox"/> <input type="checkbox"/> <input type="checkbox"/> <input type="checkbox"/> <input type="checkbox"/> <input type="checkbox"/> <input type="checkbox"/> <input type="checkbox"/> OFF <input type="checkbox"/> <input checked="" type="checkbox"/> <input checked="" type="checkbox"/> <input checked="" type="checkbox"/> <input checked="" type="checkbox"/> <input checked="" type="checkbox"/> <input checked="" type="checkbox"/> <input checked="" type="checkbox"/> 8 7 6 5 4 3 2 1
1080p50	ON	OFF	OFF	ON	OFF	ON <input checked="" type="checkbox"/> <input type="checkbox"/> <input type="checkbox"/> <input type="checkbox"/> <input type="checkbox"/> <input type="checkbox"/> <input type="checkbox"/> <input type="checkbox"/> OFF <input type="checkbox"/> <input checked="" type="checkbox"/> <input checked="" type="checkbox"/> <input checked="" type="checkbox"/> <input checked="" type="checkbox"/> <input checked="" type="checkbox"/> <input checked="" type="checkbox"/> <input checked="" type="checkbox"/> 8 7 6 5 4 3 2 1
1080p59.94	ON	OFF	OFF	ON	ON	ON <input checked="" type="checkbox"/> <input type="checkbox"/> <input type="checkbox"/> <input type="checkbox"/> <input type="checkbox"/> <input type="checkbox"/> <input type="checkbox"/> <input type="checkbox"/> OFF <input type="checkbox"/> <input checked="" type="checkbox"/> <input checked="" type="checkbox"/> <input checked="" type="checkbox"/> <input checked="" type="checkbox"/> <input checked="" type="checkbox"/> <input checked="" type="checkbox"/> <input checked="" type="checkbox"/> 8 7 6 5 4 3 2 1
1080p60	ON	OFF	ON	OFF	OFF	ON <input checked="" type="checkbox"/> <input type="checkbox"/> <input type="checkbox"/> <input type="checkbox"/> <input type="checkbox"/> <input type="checkbox"/> <input type="checkbox"/> <input type="checkbox"/> OFF <input type="checkbox"/> <input checked="" type="checkbox"/> <input checked="" type="checkbox"/> <input checked="" type="checkbox"/> <input checked="" type="checkbox"/> <input checked="" type="checkbox"/> <input checked="" type="checkbox"/> <input checked="" type="checkbox"/> 8 7 6 5 4 3 2 1

## Utilitário Converters Setup

O utilitário Blackmagic Converters Setup pode ser utilizado para ajustar configurações como a proporção de tela e atualizar o software do seu Mini Converter. Todas as configurações do utilitário são mantidas, mesmo que o Mini Converter seja desligado. Você pode acessar essas configurações alternando entre as abas “Video”, “Audio” e “About”.

A aba “About” é detalhada na seção ‘Ajustar Configurações’ deste manual.

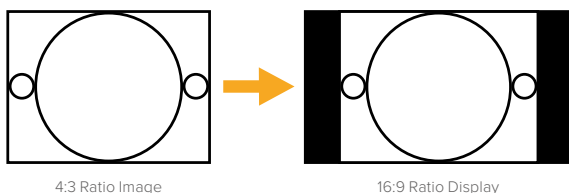
A aba “Video” para o Mini Converter UpDownCross HD contém as configurações a seguir.



Use a aba “Video” no Converters Setup para selecionar uma proporção de tela SD.

### Proporção de Tela para Definição Padrão

Desmarque a caixa de verificação para a saída de vídeos com tarjas laterais em 4:3. Marque a caixa de verificação para a saída de vídeos em uma versão SD 16:9. Por exemplo, se seu vídeo de entrada for SD 4:3, deixe a caixa de verificação desmarcada para obter o conteúdo com tarjas laterais em 4:3 e manter a proporção de tela 4:3 original no quadro 16:9. No entanto, caso seu vídeo de entrada seja SD 16:9, selecione a caixa de verificação para uma conversão 16:9 direta.

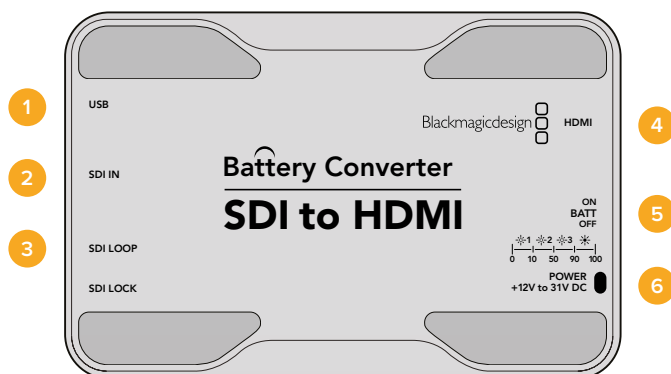


A configuração padrão da proporção de tela no utilitário envia vídeos SD com tarjas laterais em 4:3, mas você pode configurar o conversor para manter uma proporção 16:9, se necessário, ao selecionar a caixa de verificação na aba “Video” do utilitário.

# Blackmagic Battery Converters

## Battery Converter SDI to HDMI

Com o Battery Converter SDI to HDMI, é possível conectar uma ampla variedade de displays e projetores de vídeo HDMI a equipamentos SDI. Este modelo detecta automaticamente entre SDI SD, HD, 3G e converte para HDMI com áudio embutido. O Battery Converter SDI to HDMI inclui uma bateria integrada recarregável e reetrâncias para conexões protegidas por um chassi de alumínio aeronáutico.



## Conectores

- 1 Mini-B USB port**

Conecta ao software Blackmagic Converters Setup através de computadores Mac OS X ou Windows. O software interno do Mini Converter também pode ser atualizado via a porta USB.
- 2 SDI In**

Entrada SDI principal via conector BNC.
- 3 SDI Loop**

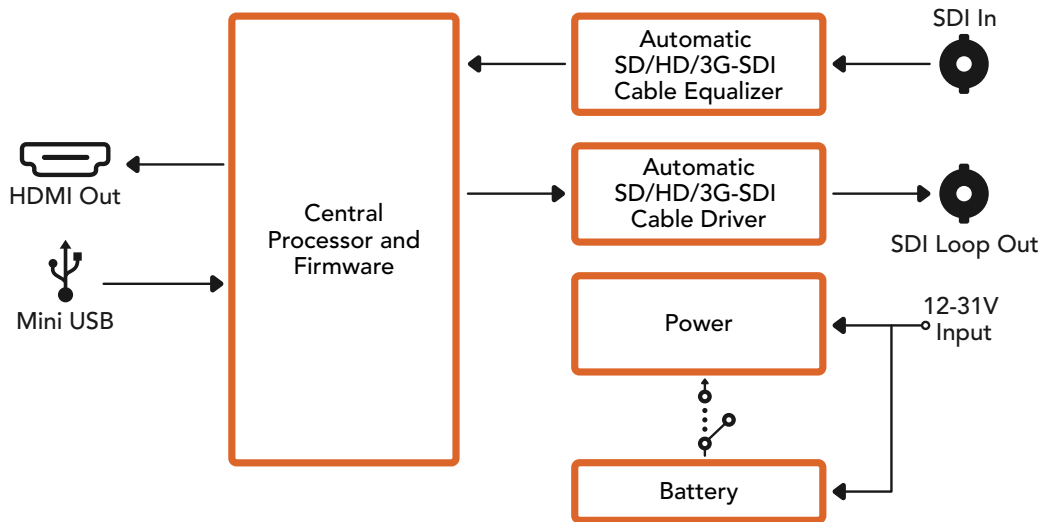
Saída loop through do seu conector BNC de entrada SDI.
- 4 HDMI**

Saída de vídeo HDMI tipo A.
- 5 ON BATT OFF**

Liga e desliga a alimentação da bateria. Ao selecionar "On", o Battery Converter continuará operando mesmo se a alimentação externa for perdida. Selecionando "Off", somente a alimentação externa será utilizada para garantir que a carga da bateria integrada seja preservada. O LED próximo à chave indica o nível da carga da bateria da seguinte forma: iluminação contínua para carga a 100%, piscando três vezes para carga entre 50% e 90%, piscando uma vez quando restam menos de 10% de carga.
- 6 Power +12V**

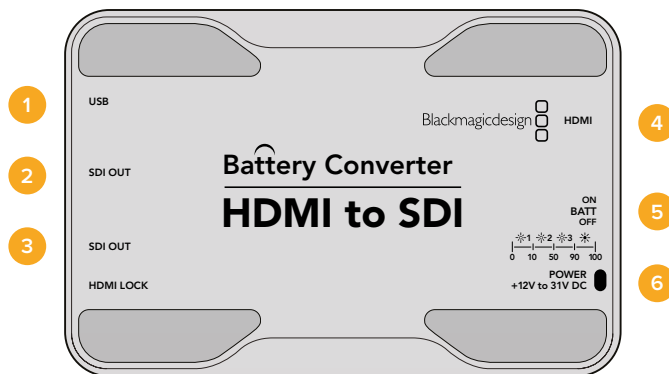
Entrada da fonte de alimentação de 12 volts.

## Esquema de Ligações do Battery Converter SDI to HDMI



## Battery Converter HDMI to SDI

Você pode utilizar o Battery Converter HDMI to SDI para converter saídas HDMI de dispositivos como câmeras HDV e consoles de videogame para SDI. Isso significa que você pode enviar sinais de vídeo HDMI via SDI utilizando os cabos SDI mais extensos. Você pode inclusive adicionar saídas SDI a computadores compatíveis com HDMI. O Battery Converter HDMI to SDI inclui uma bateria recarregável integrada. O chassi de alumínio aeronáutico inclui conexões com reentrância para maior proteção.



## Conectores

- 1 Mini-B USB port**  
Conecta ao software Blackmagic Converters Setup através de computadores Mac OS X ou Windows. O software interno do Mini Converter também pode ser atualizado via a porta USB.
- 2 SDI OUT**  
Saída de vídeo SDI principal via conector BNC.
- 3 SDI OUT**  
Segunda saída SDI.
- 4 HDMI**  
Entrada de vídeo HDMI tipo A.

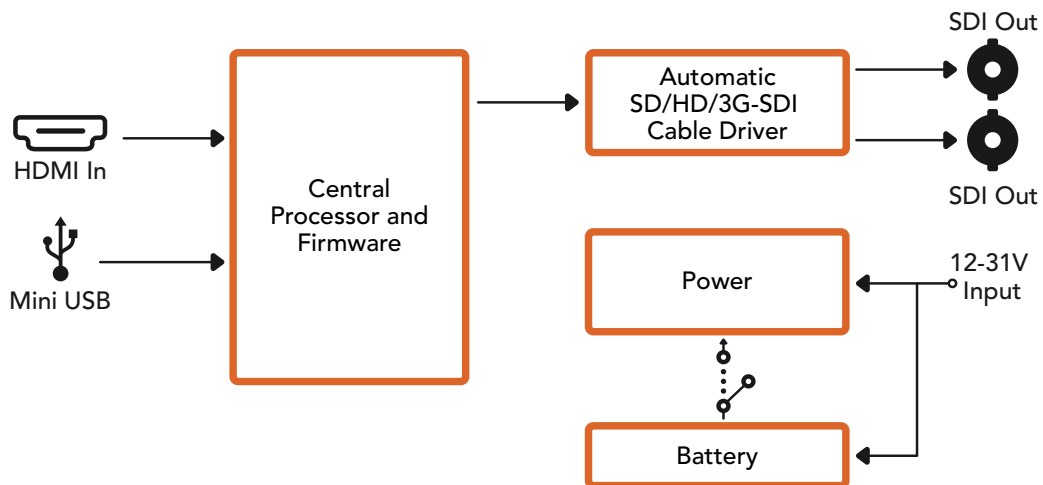
## 5 ON BATT OFF

Liga e desliga a alimentação da bateria. Ao selecionar “On”, o Battery Converter continuará operando mesmo se a alimentação externa for perdida. Selecionando “Off”, somente a alimentação externa será utilizada para garantir que a carga da bateria integrada seja preservada. O LED próximo à chave indica o nível da carga da bateria da seguinte forma: iluminação contínua para carga a 100%, piscando três vezes para carga entre 50% e 90%, piscando uma vez quando restam menos de 10% de carga.

## 6 Power +12V

Entrada da fonte de alimentação de 12 volts.

Diagrama de Blocos do Battery Converter HDMI to SDI





# Ajuda

## Obter Ajuda

A maneira mais rápida de obter ajuda é visitando as páginas de suporte online da Blackmagic Design e consultando os materiais de suporte mais recentes disponíveis para o seu Blackmagic Converter.

### **Páginas de Suporte Online da Blackmagic Design**

O manual, o programa e as notas de suporte mais recentes podem ser encontrados na Central de Suporte Técnico da Blackmagic Design [www.blackmagicdesign.com/br/support](http://www.blackmagicdesign.com/br/support).

### **Fórum Blackmagic Design**

O fórum da Blackmagic Design no nosso site é um recurso útil que você pode acessar para mais informações e ideias criativas. Também pode ser uma maneira mais rápida de obter ajuda, pois já podem existir respostas de outros usuários experientes e da equipe da Blackmagic Design, o que o ajudará a seguir em frente. Para visitar o fórum, acesse <https://forum.blackmagicdesign.com>.

### **Contactar o Suporte Blackmagic Design**

Caso não encontre a ajuda necessária no nosso material de suporte ou no fórum, favor clicar no botão “Enviar email” na página de suporte para nos encaminhar uma solicitação de suporte. Ou, clique no botão “Encontre sua equipe de suporte local” e ligue para a assistência técnica da Blackmagic Design mais próxima.

### **Verificar a Versão de Software Atualmente Instalada**

Para verificar qual versão do software Converter Setup está instalada no seu computador, abra a janela “Sobre Blackmagic Converter Setup”.

- No Mac OS X, abra o Blackmagic Converter Setup na pasta de aplicativos. Selecione Sobre Blackmagic Converter Setup no menu de aplicativos para revelar o número da versão.
- No Windows 7, abra o Blackmagic Converter Setup a partir do menu Iniciar. Clique no menu de Ajuda e selecione Sobre Blackmagic Converter Setup para revelar o número da versão.
- No Windows 8, abra o Blackmagic Converter Set up a partir do ladrilho Blackmagic Converter Setup na página Iniciar. Clique no menu de Ajuda e selecione Sobre Blackmagic Converter Setup para revelar o número da versão.

### **Como Obter as Atualizações de Software Mais Recentes**

Após verificar a versão instalada do software Blackmagic Converters Setup no seu computador, por favor visite a Central de Suporte Técnico da Blackmagic Design em [www.blackmagicdesign.com/br/support](http://www.blackmagicdesign.com/br/support) para obter as atualizações mais recentes. Embora seja uma boa ideia executar as últimas atualizações, é recomendável evitar atualizar qualquer software caso esteja no meio de um projeto importante.

# Garantia

## Garantia Limitada

A Blackmagic Design garante que os modelos Mini Converter e Mini Converter Heavy Duty estarão livres de defeitos de materiais e fabricação por um período de 36 meses a partir da data de compra, excluindo conectores, cabos, módulos de fibra óptica, fusíveis e baterias que estarão livres de defeitos de materiais e fabricação por um período de 12 meses a partir da data de compra. A Blackmagic Design garante que os Battery Converters estarão isentos de quaisquer defeitos de materiais e fabricação por um período de 12 meses a partir da data de compra. Se o produto se revelar defeituoso durante este período de garantia, a Blackmagic Design, a seu critério, consertará o produto defeituoso sem cobrança pelos componentes e mão-de-obra, ou fornecerá a substituição em troca pelo produto defeituoso.

Para obter o serviço sob esta garantia você, o Consumidor, deve notificar a Blackmagic Design do defeito antes da expiração do período de garantia e tomar as providências necessárias para o desempenho do serviço. O Consumidor é responsável pelo empacotamento e envio do produto defeituoso para um centro de assistência designado pela Blackmagic Design com os custos de envio pré-pagos. O Consumidor é responsável pelo pagamento de todos os custos de envio, seguro, taxas, impostos e quaisquer outros custos para os produtos que nos forem devolvidos por qualquer razão.

Esta garantia não se aplica a defeitos, falhas ou danos causados por uso inadequado ou manutenção e cuidado inadequado ou impróprio. A Blackmagic Design não é obrigada a fornecer serviços sob esta garantia: a) para consertar danos causados por tentativas de instalar, consertar ou fornecer assistência técnica ao produto por pessoas que não sejam representantes da Blackmagic Design, b) para consertar danos causados por uso ou conexão imprópria a equipamentos não compatíveis, c) para consertar danos ou falhas causadas pelo uso de componentes ou materiais que não são da Blackmagic Design, d) para fornecer assistência técnica de um produto que foi modificado ou integrado a outros produtos quando o efeito de tal modificação ou integração aumenta o tempo ou a dificuldade da assistência técnica do serviço. ESTA GARANTIA É FORNECIDA PELA BLACKMAGIC DESIGN NO LUGAR DE QUAISQUER OUTRAS GARANTIAS, EXPLÍCITAS OU IMPLÍCITAS. A BLACKMAGIC DESIGN E SEUS FORNECEDORES NEGAM QUAISQUER GARANTIAS IMPLÍCITAS DE COMERCIALIZAÇÃO OU ADEQUAÇÃO A UMA FINALIDADE ESPECÍFICA. A RESPONSABILIDADE DA BLACKMAGIC DESIGN DE CONSERTAR OU SUBSTITUIR PRODUTOS DEFEITUOSOS É A ÚNICA E EXCLUSIVA MEDIDA FORNECIDA AO CONSUMIDOR PARA QUAISQUER DANOS INDIRETOS, ESPECIAIS OU ACIDENTAIS INDEPENDENTEMENTE DA BLACKMAGIC DESIGN OU DO FORNECEDOR TIVER INFORMAÇÃO PRÉVIA SOBRE A POSSIBILIDADE DE TAIS DANOS. A BLACKMAGIC DESIGN NÃO É RESPONSÁVEL POR QUAISQUER USOS ILEGAIS DO EQUIPAMENTO PELO CONSUMIDOR. A BLACKMAGIC NÃO É RESPONSÁVEL POR QUAISQUER DANOS CAUSADOS PELO USO DESTE PRODUTO. O USUÁRIO DEVE OPERAR ESTE PRODUTO POR CONTA E RISCO PRÓPRIOS.

© Direitos autorais 2020 Blackmagic Design. Todos os direitos reservados. 'Blackmagic Design', 'DeckLink', 'HDLINK', 'Workgroup Videohub', 'Multibridge Pro', 'Multibridge Extreme', 'Intensity' e 'Leading the creative video revolution' são marcas comerciais registradas nos Estados Unidos e em outros países. Todos os outros nomes de empresas e produtos podem ser marcas comerciais de suas respectivas empresas com as quais elas são associadas



Kurulum ve Kullanım Kılavuzu

# Blackmagic Converter Cihazları

Eylül 2019

Türkçe



## Hoş Geldiniz

Yapım ihtiyaçlarınız için Blackmagic Converter Cihazlarını satın aldığınız için teşekkür ederiz.

Blackmagic Mini Converter, Mini Converter Heavy Duty, Battery Converter ve Micro Converter cihazları, ihtiyacınız olan her türlü format dönüşümü için bir çözüm sunar. Mini Converter cihazları; analogdan dijitale, dijitalden analoga, SDI'dan ses'e, ses'ten SDI'ya dönüştürebilir; yukarı, aşağı ve çapraz dönüşüm ve SDI dağıtım yapabilir ve tüm video ekipmanlarınızı aynı referans sinyaline kilitlemek için senkronizasyon jeneratörü bile sağlayabilir. Mini Converter Heavy Duty modeli, aynı dönüşüm imkanlarını süper dayanıklı bir tasarımda sunar. Bu, çekim mekanlarında çalışırken mükemmeldir ve Battery Converter modeli de çekim mekanında harici gücün olup olmadığına bakmadan, çalışmanıza olanak verir. Blackmagic Micro Converter cihazları daha da küçüktür, SDI'den HDMI'ye ve HDMI'den SDI'ye gibi yaygın dönüşümler için sıkça kullanılmaktadır. Bu nedenle, herhangi bir HDMI çıkışını SDI video kaydedicilere veya switcher'lere ya da SDI video ekipmanlarını HDMI monitörlere takabilirsiniz.

Bu kurulum ve kullanım kılavuzu, Blackmagic Converter cihazlarınızı kullanmaya başlamanız için ihtiyacınız olan tüm bilgileri içerir.

Bu kılavuzun en son versiyonuna ve Blackmagic Converter cihazınızın dahili bir yazılımı varsa, güncellemelerine erişmek için lütfen [www.blackmagicdesign.com/tr](http://www.blackmagicdesign.com/tr) adresinden destek sayfamıza bakınız. Dahili yazılımınızı güncel tutarak, en son özelliklerden yararlandığınızdan emin olabilirsiniz. Piyasaya sürülen yeni yazılımları duyurabilmemiz için, yazılımı indirirken bilgilerinizi sitemize kaydetmenizi rica ediyoruz. Sürekli yeni özellikler ve geliştirmeler üzerinde çalışıyoruz ve yorumlarınızı almaktan mutluluk duyarız.

**Grant Petty**

Blackmagic Design CEO

# İçindekiler

## Blackmagic Converter Cihazları

<b>Başlarken</b>	905	Mini Converter HDMI to SDI	931
Güç Kaynağının Takılması	905	Mini Converter HDMI to SDI 4K	934
Videonun Takılması	906	Mini Converter HDMI to SDI 6G	937
Sesin Takılması	907	Mini Converter SDI to Analog	940
<b>Yönetim Yazılımının Yüklenmesi</b>	908	Mini Converter SDI to Analog 4K	945
Blackmagic Converters Setup Yazılımını Yükleme	908	Mini Converter Analog to SDI	949
Dahili Yazılımın Güncellenmesi	909	Mini Converter SDI to Audio	953
Mini Converter SDI Distribution 4K'nın Güncellenmesi	910	Mini Converter SDI to Audio 4K	956
<b>Ayarların Değiştirilmesi</b>	911	Mini Converter Audio to SDI	959
Anahtarları Kullanarak Ayarların Değiştirilmesi	911	Mini Converter Audio to SDI 4K	963
Blackmagic Converters Setup Yazılımı Kullanılarak Ayarların Değiştirilmesi	912	Mini Converter Optical Fiber	967
Hakkında Sekmesi	913	Mini Converter Optical Fiber 4K	968
<b>Blackmagic Converter Modelleri</b>	913	Mini Converter Optical Fiber 12G	969
<b>Teranex Mini Çeviriciler</b>	913	Mini Converter Quad SDI to HDMI 4K	970
<b>Blackmagic Micro Converter Cihazları</b>	914	Mini Converter SDI Distribution	971
Micro Converter SDI to HDMI	914	Mini Converter SDI Distribution 4K	972
Micro Converter HDMI to SDI	915	Mini Converter SDI Multiplex 4K	973
Micro Converter BiDirectional SDI/HDMI	917	Mini Converter Sync Generator	976
<b>Blackmagic Mini Converter Cihazları</b>	919	Mini Converter UpDownCross	979
MINI Converter SDI to HDMI	919	Mini Converter UpDownCross HD	983
Mini Converter SDI to HDMI 4K	922	Converter Setup Eklentisi	986
MINI Converter SDI to HDMI 6G	926	<b>Blackmagic Battery Converter Cihazları</b>	987
		Battery Converter SDI to HDMI	987
		Battery Converter HDMI TO SDI	988
		<b>Yardım</b>	990
		<b>Garanti</b>	991

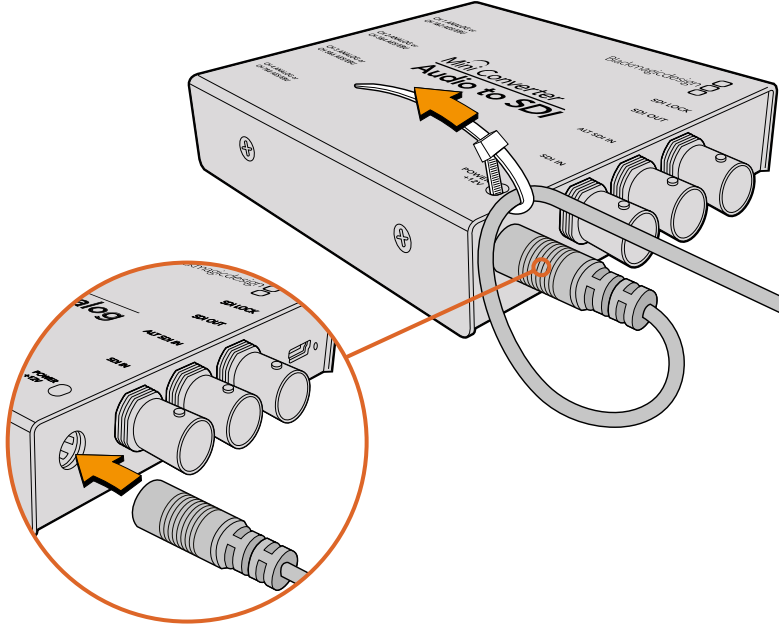


## Başlarken

Blackmagic Converter cihazınızla çalışmaya başlamak için kablosunu prize takmanız, kaynak videonuzu çeviricinin video girişine takmanız ve video çıkışını varış noktasındaki ekipmanınıza takmanız yeterlidir.

### Güç Kaynağının Takılması

Ülkeniz için olan priz adaptörünü kullanarak, kutuda gelen 12 volt güç kaynağını takın. Çeviricinizin dahili bir kablo noktası varsa, çeviricinize gelen elektrik bağlantısını kolaylıkla sağlamaştırabilirsiniz.



Güç kablosunu çeviricinin kablo bağlama noktasına sabitlemek, bağlantının kazara kopmasını önler.

### Micro Converter

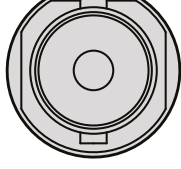
Blackmagic Micro Converter, mikro USB konektör kullanılarak çalıştırılır. Bu, size pratik ve esnek bir güç çözümü sunar. Örneğin; bazı modern cep telefonlarının batarya şarj aletlerini kullanarak, elektrik bağlantısını kolayca sağlayabilirsiniz veya çeviricinizi dizüstü bilgisayarınızın USB portu üzerinden bile çalıştırabilirsiniz. Standart USB'den Mikro USB'ye olan bir kablo üzerinden 5V temin edebilen herhangi bir cihaz, Blackmagic Micro Converter cihazınızı çalıştırabilir.

### Battery Converter Cihazları

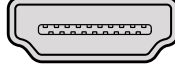
Blackmagic Battery Converter cihazlarının 'On Bat Off' etiketli anahtarı var. Bu anahtar, şebeke elektriği ile batarya gücü arasında değiştirme için kullanılır. 'On' olarak ayarlandığında, Battery Converter, harici gücün kesildiği durumlarda bile çalışmaya devam eder. 'Off' olarak ayarlandığında, dahili batarya gücünün tasarrufu için, yalnızca harici güç kullanılır. Anahtarın yanındaki LED, bataryanın şarj seviyesini belirtmek için; yüzde 100 şarj durumunda aralıksız yanar, yüzde 50 ila 90 şarj durumunda üç kez yanıp söner, yüzde 10 ila 50 şarj durumunda iki kez yanıp söner ve yüzde 10'dan daha az şarj kaldığında bir kez yanıp söner.

## Videonun Takılması

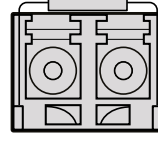
Video giriş ve çıkışlarınızı bağlamak için, kaynak videonuzu çeviricinizin video girişine takın ve video çıkışını varış noktasındaki ekipmanınıza takın.



**BNC**



**HDMI**

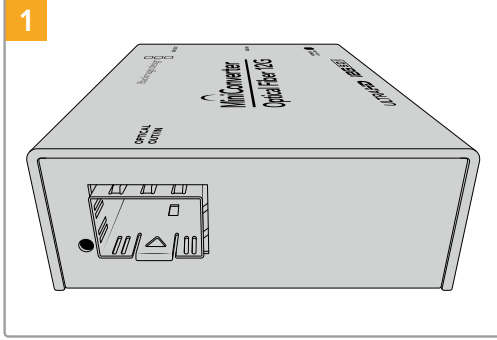


**Optical Fiber**

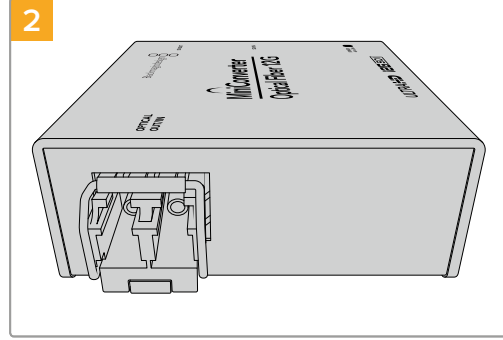
Blackmagic Converter modelinize bağlı olarak video konektörleri; BNC, HDMI veya fiber optik LC olabilir.

### Fiber Optik Konektörler

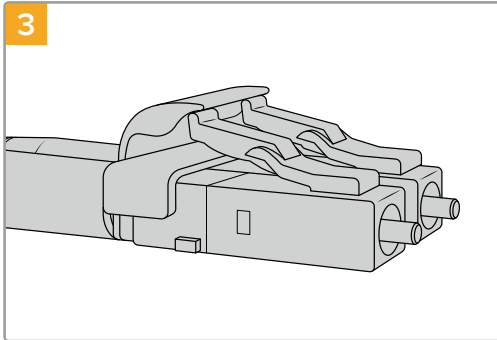
Bazı Blackmagic Converter modelleri; 3G, 6G veya 12G-SDI videoyu destekleyen uyumlu bir SFP fiber optik modülü kabul edebilmek için bir SFP soketi içerir. Bu modül, fiber optik kablolar için soketleri olan bir optik verici ve alıcıdır.



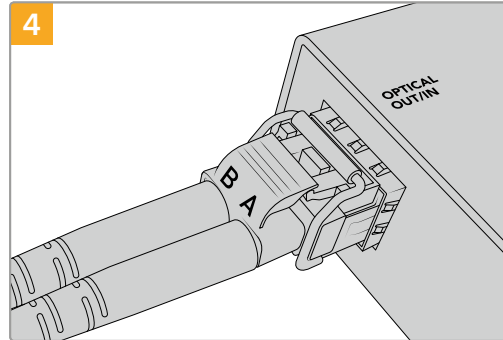
1 İçinde toz olmadığından emin olmak için, Optik Çıkışı/Girişi inceleyin.



2 SFP fiber optik modülün koruyucu kapağını çıkarın ve SFP soketinin içine yerleştirin. Modülü sokete sabitlemek üzere, kilitleme pimi yerine oturacaktır.



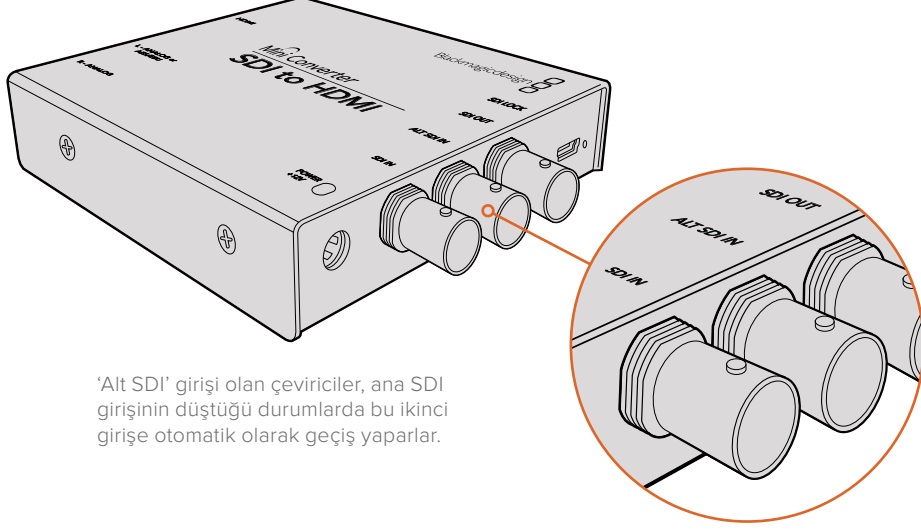
3 Fiber optik kabloların üstünde, çıkmalarını önleyen ve yerine kilitlenen tırnaklar var.



4 Fiber optik kabloları takın. Çıkış ve Giriş fişlerinin doğru sokette olduğundan ve fişlerin üzerindeki kilitleme tırnakların, SFP fiber optik modülün mandalını, dikey bir pozisyonda tuttuğundan emin olun.

## Kesintiye Karşı Koruma Sağlayan Alternatif SDI Girişleri

Bazı Blackmagic Converter modelleri, yedeklik için alternatif SDI girişler içerir. Bu girişler 'Alt SDI In' olarak etiketlidir ve ana SDI sinyalinin düşmesi durumunda anında devreye girer. Bu nadir durumda, SDI LOCK LED (SDI Kilit LED) yanıp sönerek, çeviricinin ALT SDI girişine geçiş yaptığını belirtir.

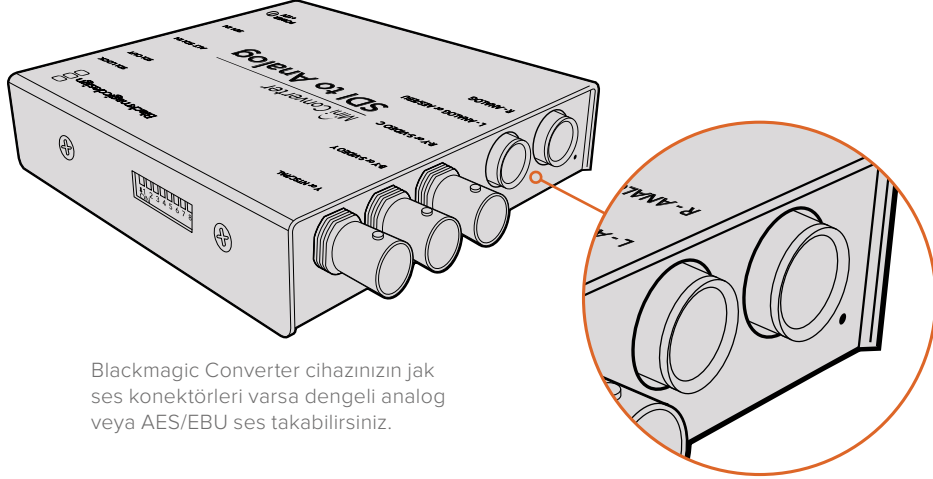


'Alt SDI' girişi olan çeviriciler, ana SDI girişinin düştüğü durumlarda bu ikinci girişe otomatik olarak geçiş yaparlar.

## Sesin Takılması

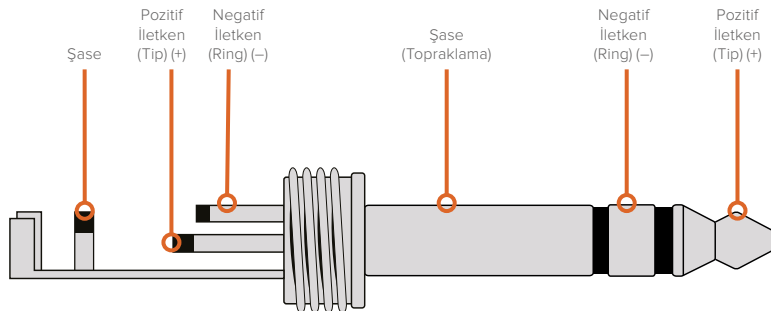
### Jak Ses Konektörleri

Bazı Blackmagic Converter cihazlarının, dahili 1/4 inç jak girişi bulunur. Böylelikle, dengeli harici analog veya dijital AES/EBU ses kaynağını kolaylıkla takabilirsiniz. 1/4 inç jaklar, dengeli TRS konektörlerdir. TRS'nin açılımı Tip (pozitif), Ring (negatif) ve Sleeve (şase)'dir. Bunlar jak konektörünün üç temas noktasıdır.



Blackmagic Converter cihazınızın jak ses konektörleri varsa dengeli analog veya dijital AES/EBU ses takabilirsiniz.

Aşağıdaki resim, kendi ses kablolarını yapmak isteyenler için, 1/4 inçlik erkek jak erkek konektörünün içindeki kablo bağlantı pimlerini gösteriyor.





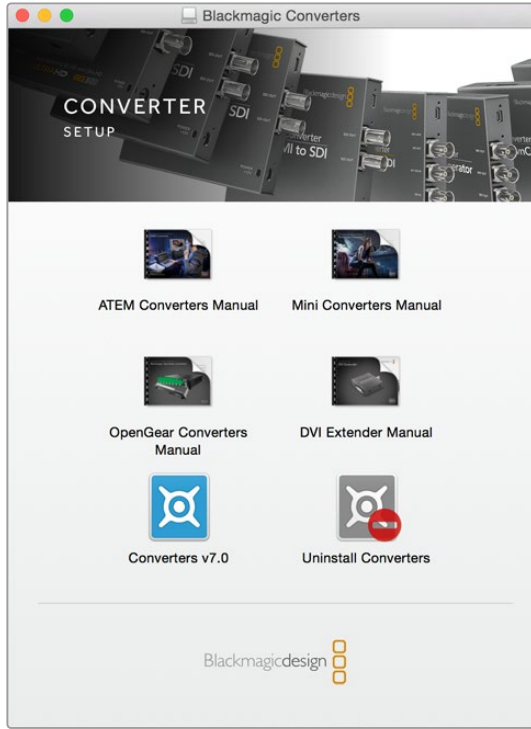
Bir önceki sayfadaki ses jak'ı çizimi, jak konektörün pozitif, negatif ve topraklama kablo pimlerini gösteriyor. Analog ses kablonuzun polaritesini, ses ekipmanınızla uyumlu olmak üzere tersine çevirmeniz gerekiyorsa, pozitif (tip) ve negatif (ring) pimleri üzerindeki pozitif ve negatif kablo bağlantılarını değiştirmeniz yeterlidir.

**NOT** Stereo analog ses bağlıyorsanız, kanal jak konektörünün biri için polariteyi tersine döndürüyorsanız, ikincisi için de muhakkak bunu yapmanız gerektiğini aklınızda bulundurmanızda yarar var, aksi durumda stereo analog sesi faz dışı olacaktır.

## Yönetim Yazılımının Yüklenmesi

### Blackmagic Converters Setup Yazılımını Yükleme

Blackmagic Converters Setup yazılımı, çeviricinizdeki ayarları değiştirmek ve çeviricinizin dahili yazılımını güncellemek için kullanılır. Kullanabileceğiniz ayarlar, kullandığınız çeviriciye göre değişir. Bazı Blackmagic Converter modelleri, değiştirilebilir herhangi bir ayar gerektirmez ve dahili yazılım içermezler. Bu nedenle, bu çeviricilerin bir USB konektörü yoktur. Eğer çeviriciniz bunlardan biriyse, çeviricinizin modeline ilişkin bu kılavuzdaki bölüme direkt geçerek, daha fazla bilgi edinebilirsiniz.



Blackmagic Converters Setup, Mac OS X ve Windows bilgisayarlarına yüklenebilir.

### Mac OS X Sistemine Yükleme İçin

- 1 Blackmagic Converters Setup yazılımını [www.blackmagicdesign.com/tr](http://www.blackmagicdesign.com/tr) adresinden indirin.
- 2 İndirdiğiniz dosyayı açın ve ekrandaki disk görüntüsünü açarak içeriklerine erişin.
- 3 Yükleme üzerine çift tıklayın ve yüklemeyi tamamlamak için komutları takip edin.
- 4 Yükleme işlemi tamamlandığında, 'close' (kapat) ibaresini tıklayın. Blackmagic Converters Setup şimdi yüklenmiştir.

### Windows Sistemine Yükleme İçin

- 1 Blackmagic Converters Setup yazılımını [www.blackmagicdesign.com/tr](http://www.blackmagicdesign.com/tr) adresinden indirin.
- 2 İndirilen zip dosyasını açın. Ekranda, PDF formatındaki bu kullanım kılavuzu ve bir Blackmagic Converters Setup yükleyicisi belirecektir.
- 3 Yükleme üzerine çift tıklayın ve yüklemeyi tamamlamak için komutları takip edin.
- 4 Yükleme tamamlamak için 'finish' (tamamla) ibaresini tıklayın.

Blackmagic Converters Setup artık kullanılmaya hazır.

## Dahili Yazılımın Güncellenmesi

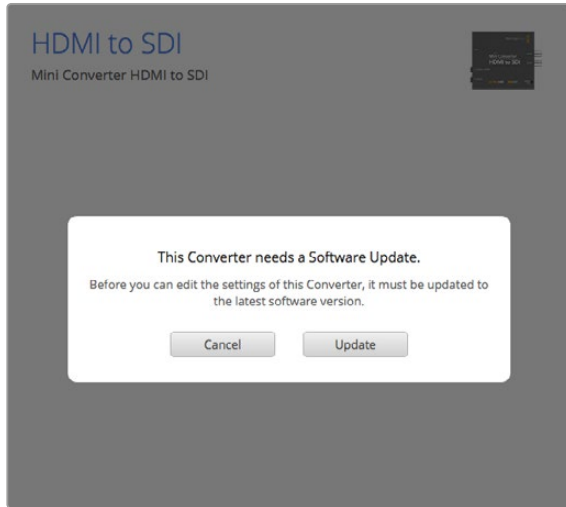
Blackmagic Converter'inizin bir USB konektörü varsa, bu durumda değiştirebileceğiniz ek ayarlar olabilir. Ayrıca, çeviricinizi en son dahili yazılımla da güncelleyebilirsiniz. En son yazılımlar, [www.blackmagicdesign.com/tr/support](http://www.blackmagicdesign.com/tr/support) adresindeki Blackmagic Design destek merkezinden indirilebilir.

Blackmagic Micro Converter cihazlarını güncellerken, güç zaten USB port üzerinden temin edildiğinden, başka bir güç kaynağını bağlamanıza gerek yoktur.

Blackmagic Mini Converter, Battery Converter ve Mini Converters Heavy Duty modellerinde, bilgisayarınıza USB üzerinden bağlamadan önce, çeviricinizin çalıştırıldığından emin olmalısınız.

- 1 Çeviricinizi Çalıştırın.
- 2 Bilgisayardan çeviriciye bir USB kablosu takın ve Blackmagic Converter Setup yazılımını başlatın.

Blackmagic Converter'iniz kurulum yardımcı yazılımının ana sayfasında görüntülenecektir. USB üzerinden birden fazla çevirici bağlıysa, dilediğiniz çeviriciyi seçmek için, ana sayfanın sol veya sağındaki ok ikonları üzerine tıklayın.



Blackmagic Converters Setup yazılımı, çeviricinizin dahili yazılımının daha önceki bir sürüm olduğunu tespit ederse, yazılımı güncelleme için sizi yönlendirecektir.

Herhangi bir çevirici bağlı değilse, ana sayfa “bir çevirici bulunamadı” (no converters found) ibaresini sergileyecektir. USB üzerinden bilgisayarınıza bir çevirici bağlı bulunuyor ancak cihaz elektriğe takılı değilse, ana sayfa ‘güç bağlantısı yoktur’ (no power connected) ibaresini görüntüleyebilir. Ayarlara erişmek için çevirinize güç bağlantısı yapmanız yeterlidir.

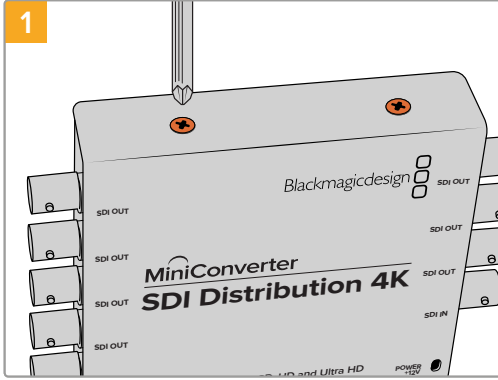
Blackmagic Converters Setup dosyası, Blackmagic Converter cihazınızda yüklü olan mevcut yazılımdan daha yeni bir dahili yazılım içeriyorsa; yazılımı güncellemeniz için sizi yönlendirecektir. Güncellemeyi tamamlamak için, ekrandaki talimatları takip etmeniz yeterlidir.

## Mini Converter SDI Distribution 4K'nın Güncellenmesi

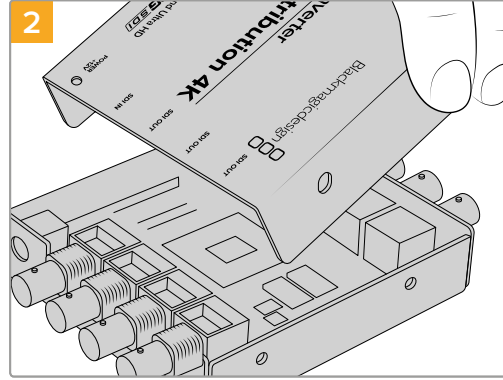
Blackmagic Mini Converter SDI Distribution 4K dahili bir USB konektöre sahiptir. Bu mini çeviricinin, kullanıcı tarafından değiştirilebilir ayarları yoktur. Dolayısıyla, hiçbir zaman bir kurulum yazılımını bağlamanız gerekmeyecektir. Ancak nadiren, bazı cihazlarla uyumluluğu iyileştirmek için, dahili yazılım güncellemeleri piyasaya sürülecektir. Örneğin, Blackmagic Converters Software 7.0.9 sürümü, bu mini çeviricinin A seviye (level A) 3G SDI sinyalleriyle uyumluluğunu artırır.

Mini Converter SDI Distribution 4K ile kullandığınız cihaza özel bir güncelleme söz konusu ise, mini çeviricinizin USB konektörüne erişmek için aşağıdaki talimatları takip ediniz:

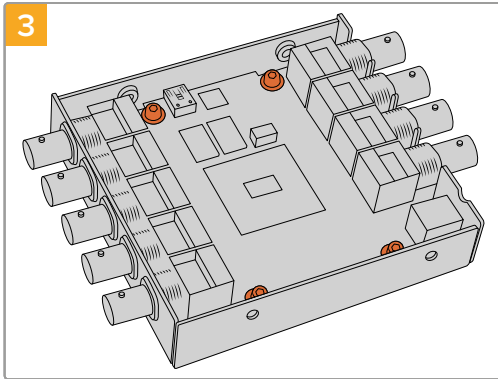
**NOT** Mini Converter SDI Distribution 4K cihazınıza erişimi sağlamadan önce, elektrikle bağlantısını kestiğinizden emin olun. Bu işin, yetkili bir mühendis tarafından, anti statik bir bileklik kullanılarak yapılmasını öneririz.



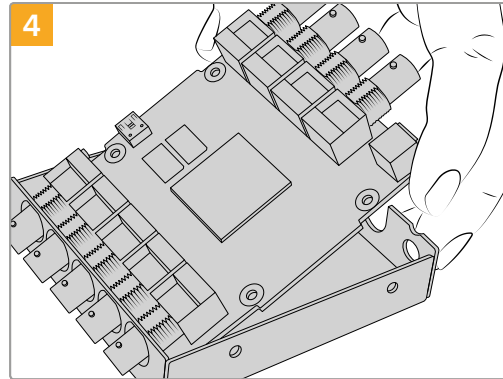
Bir Philips yıldız tornavida kullanarak, Mini Converter SDI Distribution 4K'nın yan taraflarındaki dört adet (M3) vidayı çıkarın.



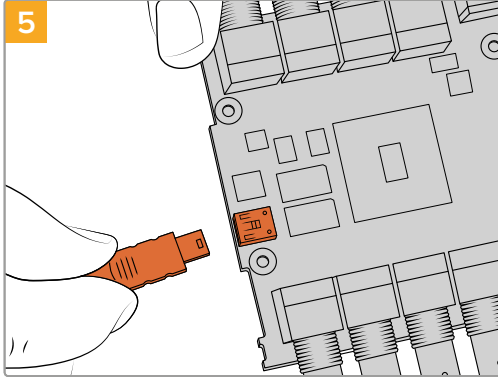
Dış kapağını kaydırarak çıkarın.



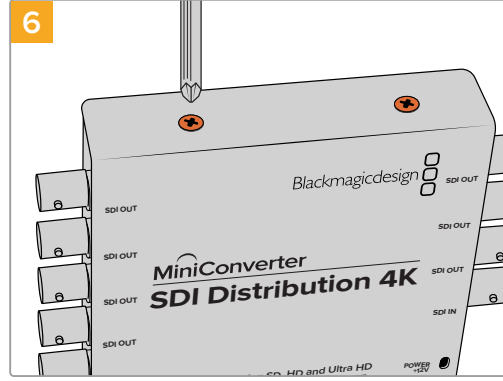
Bir T10 torx tornavida kullanarak, devre kartını Mini Converter SDI Distribution 4K'nın çerçevesine tutturun dört adet vidayı çıkarın.



USB konektöre erişmek için, devre kartını yavaşça çerçeveden dışa doğru çekin.



5  
Mini Converter SDI Distribution 4K'nızın güç kaynağını takın ve bir USB kablosuyla bir bilgisayara bağlayın. Diğer mini çeviricilerde yaptığınız gibi, dahili yazılımı güncelleyin.



6  
Mini Converter SDI Distribution 4K'yı yeniden monte etmek için 1 - 4 numaralı adımları tersten tekrarlayın.

**NOT** Mini Converter SDI Distribution 4K cihazının devre kartıyla çalışırken, yerleşik parçaların kısa devre yapmasını önlemek için, her zaman kenarlarından tutmaya dikkat ediniz.

## Ayarların Değiştirilmesi

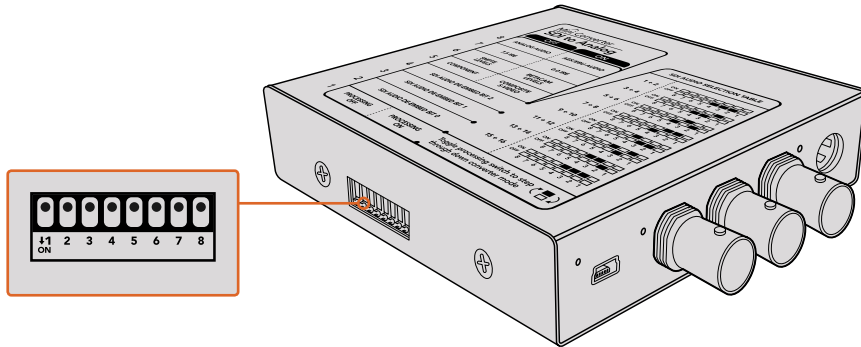
Blackmagic Converter cihazınızın değiştirilebilir ayarları varsa, onları değiştirmenizin iki yolu vardır. Çeviricinizin yan tarafındaki dahili anahtarları kullanabilirsiniz veya Blackmagic Converters Setup yardımcı yazılımını kullanarak ayarları değiştirebilirsiniz. Yardımcı yazılım ayrıca, çeviricideki anahtarlarla değiştirilemeyen ayarları değiştirmeniz için de kullanılabilir. Örneğin, analog video ve ses seviyeleri gibi.

### Anahtarları Kullanarak Ayarların Değiştirilmesi

Blackmagic Converter modellerinin birçoğunun dahili anahtarları vardır.

Bir anahtar ayarını değiştirmek için, bir kalem ucunu kullanarak anahtarı yukarı veya aşağı itmeniz yeterlidir. Bu, anahtarı açar veya kapatır. Cihaz üzerindeki 8 adet anahtar ile, çok sayıda kombinasyon seçeneklerinden yararlanabilir ve tam olarak istediğiniz dönüşüm ayarını seçebilirsiniz.

Çeviricinizin tabanında basılı bulunan bir anahtar ayarları şeması bulacaksınız. Anahtar numaralarını 1'den 8'e ve soldan sağa takip ederek, anahtar ayarlarının açıklamalarıyla uyumlu olduğundan emin olun.

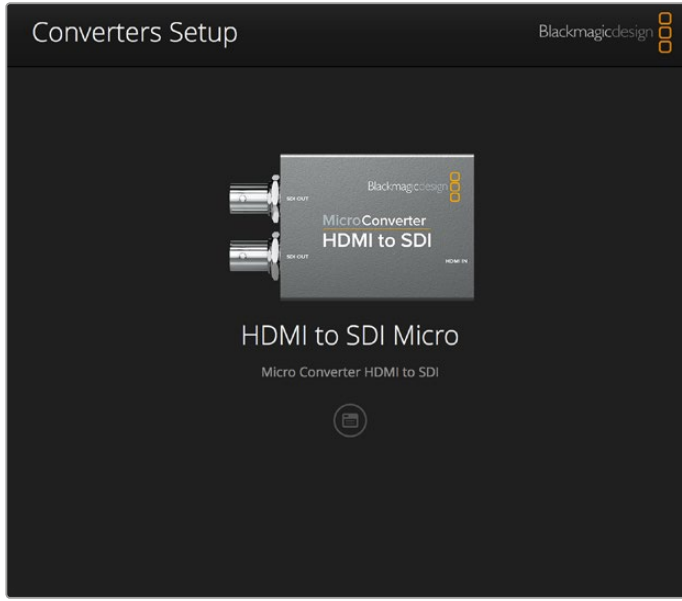


Bir kalem yardımıyla anahtarları düzelterek ayarları değiştirin.

Anahtarlar ve ayarları hakkında açıklamalı bilgi için, bu kılavuzdaki çevirici modelinize ilişkin bilgilere bakın. Anahtar ayarları çeviricinizin tabanında basılı olmasına rağmen, daha sonraki güncellemelerdeki yeni özellikler, yeni ayarlar ilave edebilir. Bu nedenle, en güncel bilgiler için bu kılavuzun en son baskısına bakmanızda yarar var. En son versiyonunu [www.blackmagicdesign.com/tr/support](http://www.blackmagicdesign.com/tr/support) adresindeki BlackmagicDesign destek merkezinden indirebilirsiniz.

## Blackmagic Converters Setup Yazılımı Kullanılarak Ayarların Değiştirilmesi

Bilgisayarınıza Blackmagic Converters Setup yazılımını yükledikten sonra, Setup Utility eklentisini Blackmagic Converter cihazınıza bir USB üzerinden bağlayın.



Blackmagic Converters Setup yardımcı yazılımı, çeviricinizin dahili yazılımını güncelleme ve bir Mac OS X veya Windows bilgisayar kullanarak ayarlarınızı değiştirmenize imkan tanır.

Yazılımı başlatırken göreceğiniz ilk şey 'ana' sayfadır. Bilgisayarınıza birden fazla çevirici bağlıysa, Blackmagic Converters Setup yazılımının ana sayfasının solundaki ve sağındaki okları tıklayarak, dilediğiniz çeviriciyi seçin.

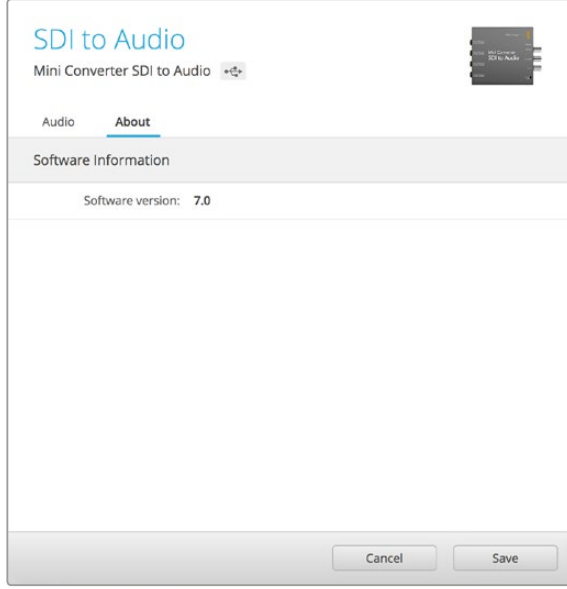
Ayarları değiştirmek için, Blackmagic Converter görüntüsünün altındaki 'ayarlar' (settings) ikonunu tıklayın. Yaptığınız değişiklikler çeviriciye anında kaydedilecektir. Yani, elektrik kesintisi durumunda, elektrik bağlantısı kurulur kurulmaz ayarlarınız yeniden yüklenecektir.

Çoğu ayarların dahili anahtarlar üzerinden yapılandırılmasına rağmen; analog video veya ses seviyelerinin düzeltilmesi gibi bazı ayarlar, yalnızca kurulum yazılımı kullanılarak ayarlanabilir.

**BİLGİ** Teranex Mini Converter cihazları, 4K DCI 60p'ye kadar dahil, daha fazla video formatını destekleyen 12G-SDI çeviricilerdir. Blackmagic Teranex Setup eklentisiyle ayarların nasıl değiştirileceği dahil, bir Teranex Mini Converter cihazını nasıl kullanacağınıza dair daha fazla bilgi edinmek istiyorsanız, Teranex Mini Converters kullanım kılavuzuna bakınız. Kullanım kılavuzunun en güncel versiyonunu [www.blackmagicdesign.com/tr/support](http://www.blackmagicdesign.com/tr/support) adresindeki Blackmagic Design destek merkezinden indirebilirsiniz.

## Hakkında Sekmesi

Blackmagic Converters Setup yazılımındaki 'hakkında' (about) sekmesi, tüm çevirici modellerinde aynıdır. Blackmagic Converter'inizi isimlendirmek için, bu sekmedeki ayarları kullanabilirsiniz. 'İsim' (name) metin kutusunu tıklamanız ve arzu ettiğiniz çevirici ismini girmeniz yeterlidir. Bu değişikliği teyit etmek için, 'kaydet' (save) ibaresini tıklayın.



Blackmagic Converters Setup'daki 'hakkında' (about) sekmesi, Blackmagic Converter cihazınızı isimlendirmek için kullanılır. Ayrıca, kurulum yazılımının sürümünü de gözden geçirebilirsiniz.

'Hakkında' sekmesindeki 'Yazılım Bilgileri' (Software Information) menüsü, Blackmagic Converter cihazınızın hangi yazılım sürümünü çalıştırdığını gösterir. Çeviricinizin dahili yazılımı, Blackmagic Converters Setup ile gelen mevcut sürümden daha eskiyse, ekranda çeviricinizin yazılımını güncelleme butonu belirecektir.

## Blackmagic Converter Modelleri

Blackmagic Converter cihazları, her türlü koşula uyacak dönüşüm çözümleri sunar. Örneğin, Mini Converter cihazlarının hafif olması nedeniyle, onları video ekipmanı üzerine veya bir rack dolabının montaj aparatına monte edebilirsiniz. Battery Converter cihazları son derece dayanıklıdır ve şarj edilebilir dahili bir bataryaya sahip olduklarından, portatif ve kendinden beslemelidir. Blackmagic Micro Converter cihazları da USB üzerinden çalıştırılabilen küçük SDI'dan HDMI'ya ve HDMI'dan SDI'ya çeviriciler olmaları sebebiyle, bir ekrana ve dizüstü bilgisayarlara takmak için mükemmeldir.

Aşağıdaki sayfalar Blackmagic Converter cihazı hakkında bilgiler içermekle birlikte, anahtar ayarlarını ve kurulum yazılımı ayarlarını da açıklamaktadır.

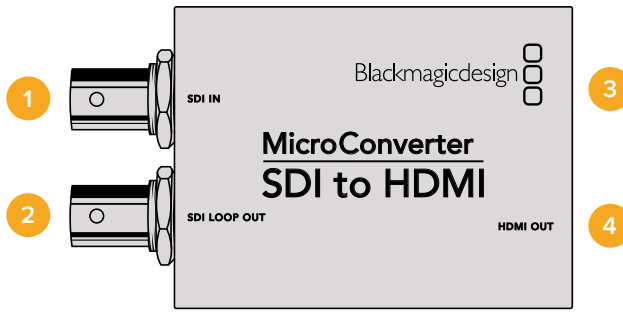
## Teranex Mini Çeviriciler

Blackmagic Teranex Mini Converter cihazları, 4K DCI 60p'ye kadar olan video formatlarını destekleyen 12G-SDI çeviricilerdir. Bu çeviriciler; dahili bir LCD ekranı, butonları ve döner düğmesi olan opsiyonel Teranex Mini Smart Panel ile kontrol edilebilir ve Ethernet üzerinden çalıştırılabilir. Blackmagic Teranex Setup yardımcı yazılımı üzerinden kontrol etmek de dahil olmak üzere, bu çeviriciler hakkında bilgi edinmek isterseniz [www.blackmagicdesign.com/tr/support](http://www.blackmagicdesign.com/tr/support) adresindeki Blackmagic Design destek sayfasından indirebileceğiniz Teranex Mini Converters kullanım kılavuzuna bakınız.

# Blackmagic Micro Converter Cihazları

## Micro Converter SDI to HDMI

Bir Micro Converter SDI to HDMI ile SDI tabanlı ekipmana, çok çeşitli HDMI ekran ve video projektörü bağlayabilirsiniz. Micro Converter SDI to HDMI cihazınız SD/HD/3G-SDI standartlarını otomatik olarak tespit eder ve gömülü ses içerikli HDMI'ya dönüştürür. Yayın kalitesinde olan bu küçük çevirici, dayanıklı bir alüminyum gövdeye sahiptir ve USB üzerinden çalışır. Yani, Blackmagic Micro Converter cihazınızı, normal bir mikro USB kablo kullanarak dizüstü bilgisayarınızın veya televizyonunuzun USB konektörü üzerinden çalıştırabilirsiniz. Micro USB kabloları, bazı cep telefonlarını şarj aletlerine ve dizüstü bilgisayarlara bağlamak için kullanılır. Eğer bunlardan birine sahipseniz, aynı kabloyu kullanabilirsiniz. Kablonuzdaki USB konektörü farklı bir tip ise, doğru kabloyu elektronik ekipman mağazalarının çoğundan satın alabilirsiniz.



## Konektörler

- 1 SDI Girişi**  
Ana SDI girişi BNC konektörü.
- 2 SDI Loop**  
SDI girişi BNC konektörünün düz geçiş (Loop through) çıkışı.
- 3 Micro USB / Güç**  
Dahil edilen adaptörden veya standart bir USB - Micro USB kablo üzerinden bir dizüstü bilgisayar ya da televizyon gibi, 5V güç temin edebilen herhangi bir cihazdan güç sağlar. Ayrıca, Mac OS X veya Windows bilgisayarınız üzerinden, Blackmagic Converters Setup yazılımına da bağlanır.
- 4 HDMI Çıkışı**  
HDMI A tipi video çıkışı.

## Blackmagic Converters Setup Ayarları

Blackmagic Converters Setup yardımcı yazılımı, ayarları değiştirmek ve Micro Converter cihazınızın yazılımını güncellemek için kullanılabilir. Bu ayarlara; 'video' ve 'hakkında' (about) sekmeleri arasında hareket ederek erişebilirsiniz.

'Hakkında' sekmesine ilişkin açıklayıcı bilgiler, bu kılavuzun 'ayarların değiştirilmesi' bölümünde bulunabilir.

Micro Converter SDI to HDMI için 'video' sekmesi, aşağıdaki ayarları içerir.

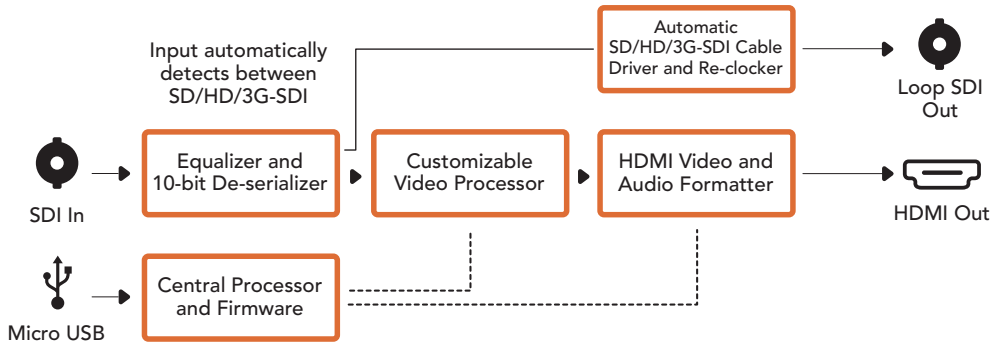


'Video çıkışı geçerli seviyelere kırp' ayarı, varsayılan ayar olarak işaretlenmiştir. Bu ayar; HDMI çıkışınızın, SDI girişinin gerçek bir temsili olmasını sağlar.

### İşlem menüsü

'Video çıkışı geçerli seviyelere kırp' onay kutusu, SDI girişinizin kırılma işlemi kontrol ederek HDMI geçerli seviyeleri sınırların dahilinde kalmasını sağlar. Bu nedenle, varsayılan ayarında bırakılmalıdır.

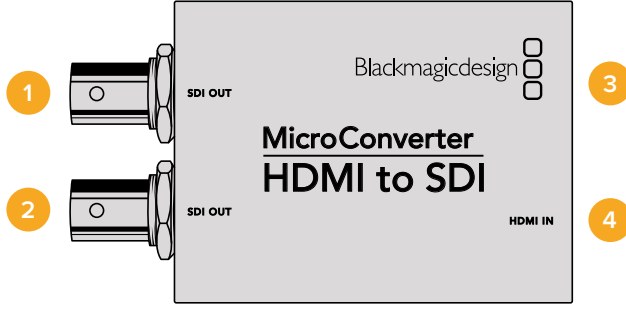
### Micro Converter SDI to HDMI Blok Şeması



### Micro Converter HDMI to SDI

HDV kameraları ve oyun konsolları gibi cihazların HDMI çıkışlarını SDI'ya dönüştürmek için, Micro Converter HDMI to SDI modelini kullanabilirsiniz. Böylelikle, en uzun SDI kablolarını kullanarak, SDI üzerinden HDMI video sinyallerini gönderebilirsiniz. Hatta, HDMI uyumluluğu olan bilgisayarlara SDI çıkışları bile ilave edebilirsiniz. Yayın kalitesinde olan bu küçük çevirici, dayanıklı bir alüminyum gövdeye sahiptir ve USB üzerinden çalışır. Yani, Blackmagic Micro Converter cihazınızı, normal bir mikro USB kablo kullanarak dizüstü bilgisayarınızın veya televizyonunuzun USB konektörü üzerinden çalıştırabilirsiniz. Micro USB kabloları, bazı cep telefonlarını şarj aletlerine ve dizüstü bilgisayarlara bağlamak için kullanılır. Eğer bunlardan birine sahipseniz, aynı kabloyu kullanabilirsiniz. Kablonuzdaki USB konektörü farklı bir tip ise, doğru kabloyu elektronik ekipman mağazalarının çoğundan satın alabilirsiniz.





## Konektörler

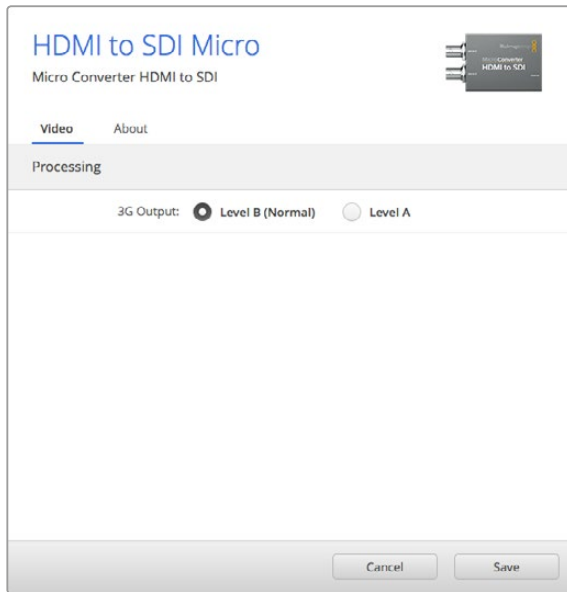
- 1 SDI ÇIKIŞI**  
SDI video çıkışı BNC konektörü.
- 2 SDI ÇIKIŞI**  
İkinci SDI çıkışı.
- 3 Micro USB / Güç**  
Dahil edilen adaptörden veya bir dizüstü bilgisayar ya da televizyon gibi standart bir USB to Micro USB kablo üzerinden 5V güç temin edebilen, herhangi bir cihazdan güç sağlar. Ayrıca, Micro Converter cihazının dahili yazılımını güncellemek üzere, Mac OS X veya Windows bilgisayarınızdan, Blackmagic Converters Setup yazılımına da bağlanır.
- 4 HDMI Girişi**  
HDMI A tipi video girişi.

## Blackmagic Converters Setup Ayarları

Blackmagic Converters Setup eklentisi, ayarları değiştirmek ve Micro Converter cihazınızın yazılımını güncellemek için kullanılabilir. Bu ayarlara; 'video' ve 'hakkında' (about) sekmeleri arasında hareket ederek erişebilirsiniz.

'Hakkında' sekmesine ilişkin açıklayıcı bilgiler, bu kılavuzun 'ayarların değiştirilmesi' bölümünde bulunur.

Micro Converter HDMI to SDI için 'video' sekmesi, aşağıdaki ayarları içerir.

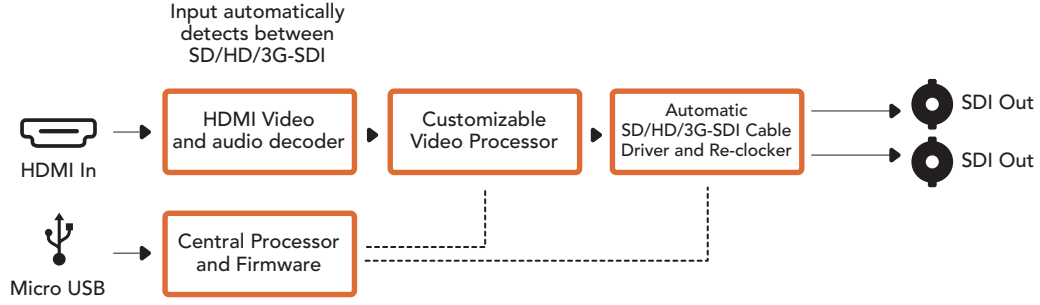


SDI seviyelerini düzenlemek için, Blackmagic Converters Setup eklentisindeki 'video' sekmesini kullanın.

## İşlem menüsü

'3G Output' (3G Çıkış) menüsü, A Seviye veya B Seviye 3G-SDI arasından seçim yapmanıza olanak verir. Bu ayar, yalnızca A seviye veya B seviye 3G-SDI video kabul edebilen ekipmanlarla uyumluluğu sürdürmek için, 3G-SDI çıkış standardını değiştirmenizi mümkün kılar. B Seviye varsayılan ayardır.

## Micro Converter HDMI to SDI Blok Şeması



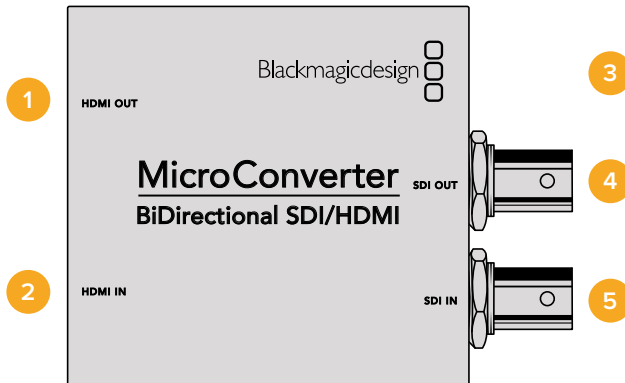
## Micro Converter BiDirectional SDI/HDMI

Micro Converter BiDirectional SDI/HDMI çeviricileri, SD ve HD videoyu gömülü ses ile eşzamanlı olarak, HDMI'dan SDI'ya ve SDI'dan HDMI'ya dönüştürür. Örneğin, daha uzun kablo mesafesi için bir HDV kameranın HDMI çıkışını SDI'ya dönüştürebildiğiniz gibi, bir HDMI televizyona bağlanmak için de bir SDI dönüş sinyalini HDMI'ya çevirebilirsiniz.

Yalnızca bir girişiniz bağlıysa, SDI ve HDMI çıkışlarının her ikisi düz geçiş çıkışına dönüşür. Yani, giriş sinyalini başka HDMI ve SDI ekipmana iletebilirsiniz.

Micro Converter BiDirectional SDI/HDMI cihazınız, SD/HD/3G-SDI giriş formatını otomatikman tespit eder ve çıkış formatını, bununla eşleşmesi için ayarlar.

Yayın kalitesindeki bu küçük çevirici, dayanıklı bir alüminyum gövde ile korunur. USB üzerinden çalışır yani, normal bir micro USB kablosu kullanarak Blackmagic Micro Converter BiDirectional SDI/HDMI cihazını, dizüstü bilgisayarınızdan veya televizyonunuzun USB konektöründen çalıştırabilirsiniz. Micro USB kabloları, bazı cep telefonlarını şarj aletlerine ve dizüstü bilgisayarlara bağlamak için kullanılır. Eğer bunlardan birine sahipseniz, aynı kabloyu kullanabilirsiniz. Kablonuzdaki USB konektörü farklı bir tip ise, doğru kabloyu elektronik ekipman mağazalarının çoğundan satın alabilirsiniz.



## Konektörler

### 1 HDMI Çıkışı

HDMI A Tipi video çıkışı.

### 2 HDMI Girişi

HDMI A tipi video girişi.

### 3 Micro USB / Güç

Standart bir USB to Micro USB kablo üzerinden 5V güç temin edebilen; bir dizüstü bilgisayar veya televizyon gibi, herhangi bir cihazdan 5V güç sağlar. Ayrıca, Mac OS X veya Windows bilgisayarınız üzerinden, Blackmagic Converters Setup eklentisine de bağlanır.

### 4 SDI Çıkışı

SDI video çıkışı BNC konektörü.

### 5 SDI Girişi

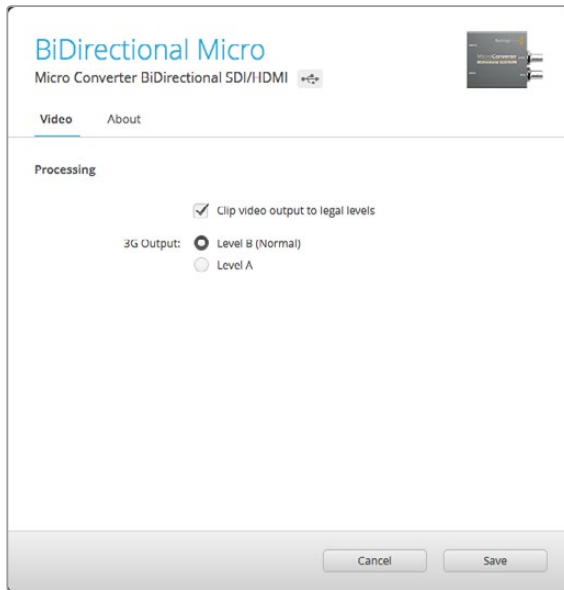
SDI video girişi BNC konektörü.

## Blackmagic Converters Setup Ayarları

Blackmagic Converters Setup yardımcı yazılımı; ayarları değiştirmek ve Micro Converter'in yazılımını güncellemek için kullanılabilir. Bu ayarlara; 'video' ve 'hakkında' (about) sekmeleri arasında hareket ederek erişebilirsiniz.

'Hakkında' sekmesine ilişkin açıklayıcı bilgi, bu kılavuzun 'Ayarların Değiştirilmesi' bölümünde bulunur.

Micro Converter BiDirectional SDI/HDMI için 'video' sekmesi, aşağıdaki ayarları içerir.



'Video çıkışını geçerli seviyelere kırp' ayarı, varsayılan ayar olarak işaretlenmiştir. Bu ayar, HDMI çıkışınızın SDI girişini doğru temsil etmesini sağlar.

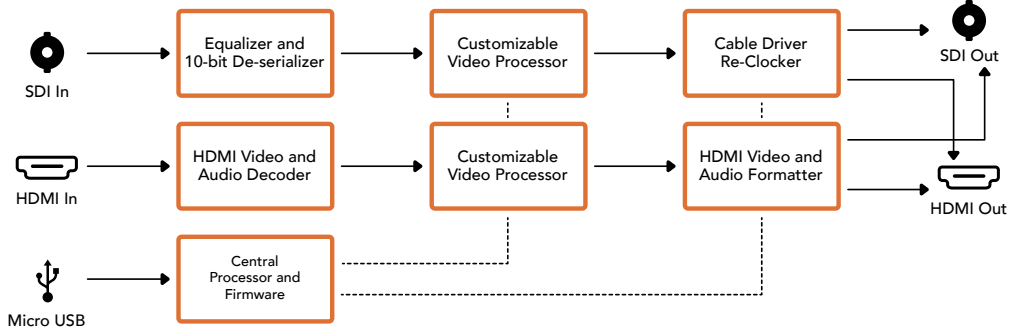
### İşlem menüsü

'Video çıkışını geçerli seviyelere kırp' onay kutusu, SDI girişinizin kırılma işlemi kontrol ederek HDMI geçerli seviye sınırları içinde kalmasını sağlar. Bu nedenle, varsayılan ayar olarak etkin bırakılmalıdır.

'3G Output' (3G Çıkış) ayarı, A Seviye veya B Seviye 3G-SDI arasından seçmenize imkan tanır. Bu, yalnızca A seviye veya B seviye 3G-SDI video kabul edebilen ekipmanlarla uyumluluğu

sürdürmek için, 3G-SDI çıkış standardını değiştirir. Varsayılan ayar B Seviyedir.

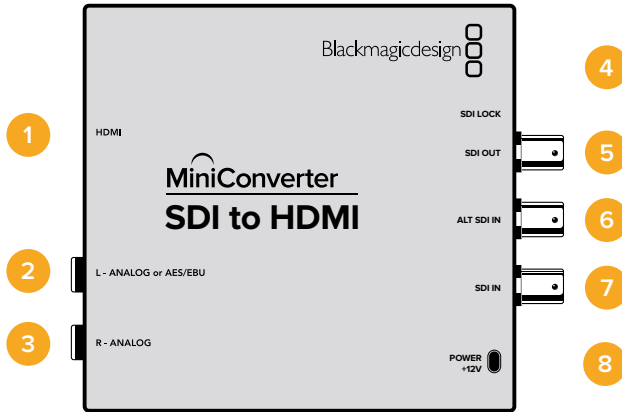
### Micro Converter BiDirectional SDI/HDMI Blok Şeması



## Blackmagic Mini Converter Cihazları

### MINI Converter SDI to HDMI

Mini Converter SDI to HDMI modeliyle, çok çeşitli HDMI ekran ve video projektörünü, SDI tabanlı ekipmana bağlayabilirsiniz. Mini Converter SDI to HDMI cihazınız, SD/HD/3G-SDI standartlarını otomatik olarak tespit eder ve gömülü ses içerikli HDMI'ya ve dengeli AES/EBU veya analog ses çıkışına dönüştürür.



### Konektörler

- 1 HDMI**  
HDMI A tipi video çıkışı.
- 2 L (Sol) – ANALOG veya AES/EBU**  
Dengeli sol kanal analog ses veya bir 1/4" jak konektör üzerinde AES/EBU dijital ses çıkışı.
- 3 R (Sağ) - ANALOG**  
Dengeli sağ kanal analog ses çıkışı 1/4" jak konektör.
- 4 MINI-B USB PORT**  
Mac OS X veya Windows bilgisayarınız üzerinden, Converters Setup yazılımına bağlanır. Mini Converter'in dahili yazılımı da USB portu kullanılarak güncellenir.
- 5 SDI ÇIKIŞI**  
Bir BNC konektörde SDI video çıkışı.

## 6 ALT SDI GİRİŞİ

Yedek SDI girişi, opsiyonel bir yedek olarak sunulur.

## 7 SDI GİRİŞİ

Ana SDI girişi.

## 8 GÜÇ +12V

12 volt güç kaynağı girişi.

## Anahtarlar

### Anahtar 8 - Analog Ses, AES/EBU Ses

Dengeli analog ses seçeneği için, 8 numaralı anahtarı 'OFF' (kapalı) veya dijital AES/EBU ses çıkışı için 'ON' (açık) olarak ayarlayın.

### Anahtar 4 - SDI Ses Ayrıştırma Bit 2

4, 3 ve 2 numaralı anahtarlar, 8 adet AÇIK/KAPALI (ON/OFF) kombinasyon sunmak üzere bir arada gruplandırılmıştır. Sekiz farklı kombinasyonun olması; SDI girişinizden ve çıkışınızdan sekiz bağımsız ses kanal çiftinin HDMI, analog veya AES/EBU ses olarak ayrıştırılmasına olanak verir.

### Anahtar 3 - SDI Ses Ayrıştırma Bit 1

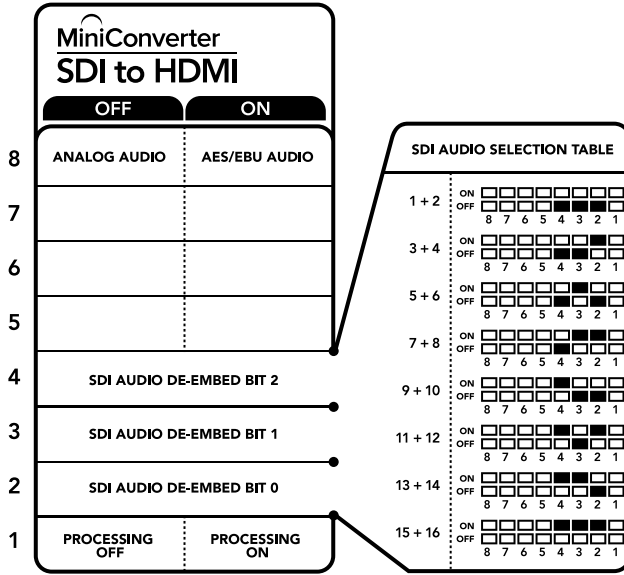
4. anahtarın tanımına bakın.

### Anahtar 2 - SDI Ses Ayrıştırma Bit 0

4. anahtarın tanımına bakın.

### Anahtar 1 - Processing Off (İşlem Kapalı) - Processing On (İşlem Açık)

Bu anahtar kullanılmıyor.



Çeviricinizin altındaki anahtar açıklamaları, dönüşüm ayarlarını değiştirmeniz için ihtiyacınız olan tüm bilgileri sunar.

## Mini Anahtar Ayarları Örneği

8, 4, 3 ve 2 numaralı anahtarları OFF (kapalı) konumuna getirip, Blackmagic Mini Converter'inizi, 1. ve 2. SDI ses kanallarını ayrıştırması ve analog olarak çıkarması için ayarlayarak, anahtarlarla denemeler yapabilirsiniz.

## SDI Ses Seçim Tablosu

Ses Kanalları	Anahtar 4	Anahtar 3	Anahtar 2	Anahtar (Switch) Şeması
1 ve 2	KAPALI	KAPALI	KAPALI	
3 ve 4	KAPALI	KAPALI	AÇIK	
5 ve 6	KAPALI	AÇIK	KAPALI	
7 ve 8	KAPALI	AÇIK	AÇIK	
9 ve 10	AÇIK	KAPALI	KAPALI	
11 ve 12	AÇIK	KAPALI	AÇIK	
13 ve 14	AÇIK	AÇIK	KAPALI	
15 ve 16	AÇIK	AÇIK	AÇIK	

## Blackmagic Converters Setup Ayarları

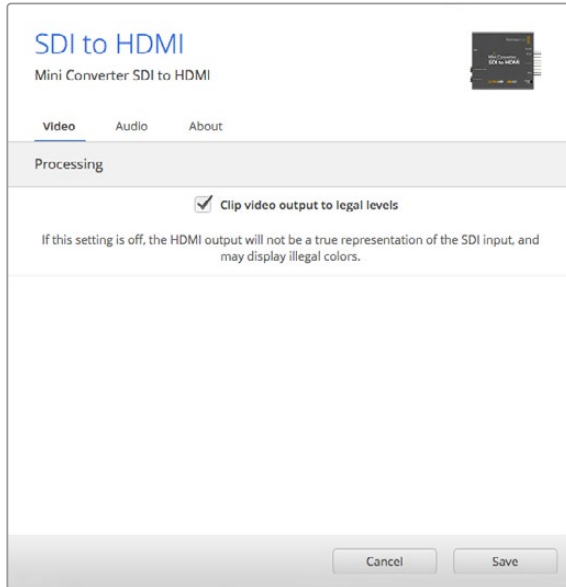
Converters Setup eklentisi, ayarları değiştirmek ve Mini Converter cihazınızın yazılımını güncellemek için kullanılabilir. Bu ayarlara; 'video', 'ses' (audio) ve 'hakkında' (about) sekmeleri arasında hareket ederek erişebilirsiniz.

'Hakkında' sekmesine ilişkin açıklayıcı bilgi, bu kılavuzun 'ayarların değiştirilmesi' bölümünde bulunur.

Mini Converter SDI to HDMI için 'video' sekmesi, aşağıdaki ayarları içerir.

### İşlem menüsü

'Video çıkışını geçerli seviyelere kırp' onay kutusu, SDI girişinizin kırılma işlemi kontrol ederek HDMI geçerli seviye sınırları içinde kalmasını sağlar. Bu nedenle, varsayılan ayar olarak etkin bırakılmalıdır.

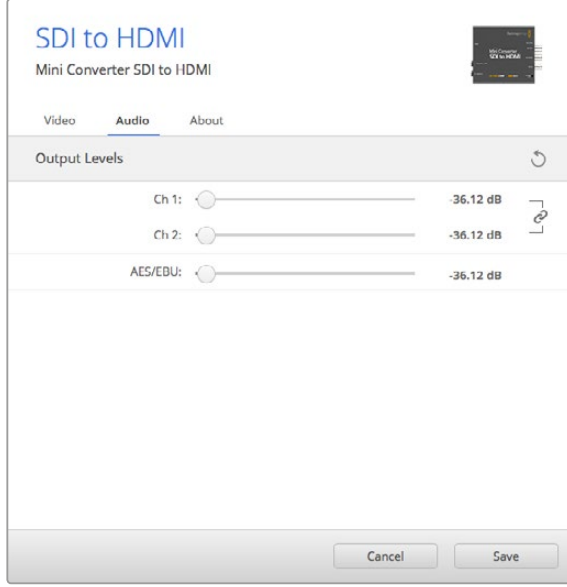


'Video çıkışını geçerli seviyelere kırp' ayarı, varsayılan ayar olarak işaretlenmiştir. Bu işlem, HDMI video çıkışınızın geçerli seviyeler dahilinde kalmasını sağlar.

Mini Converter SDI to HDMI için 'ses' sekmesi, aşağıdaki ayarları içerir.

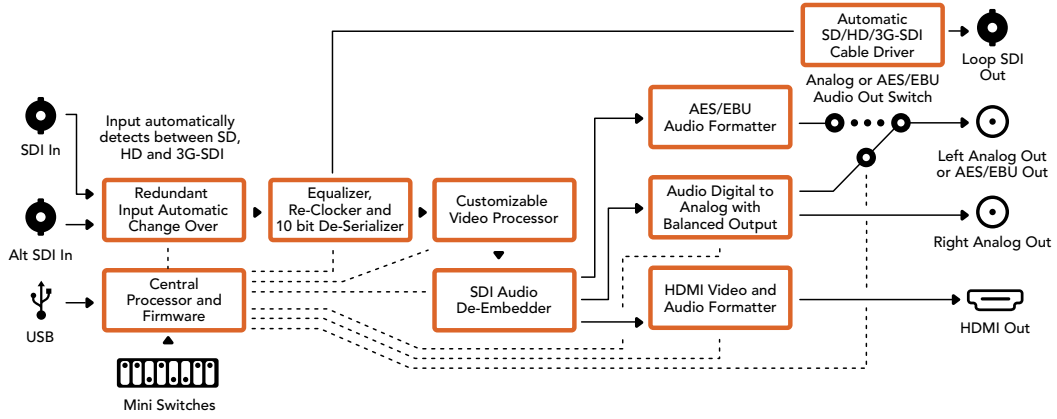
### Çıkış Seviyeleri menüsü

Bu menü, ses çıkışındaki kazanç (gain) değerini düzeltmenizi sağlar. Ses seviyelerini, her kanal için bağımsız olarak veya kanal sürgülerinin yanındaki 'link' ikonunu tıklayarak hepsini birlikte düzeltebilirsiniz. Tüm ses seviyelerini 0 dB'ye sıfırlamak için, 'çıkış seviyeleri' menüsünün üst tarafındaki 'reset' (sıfırla) butonunu tıklayın.



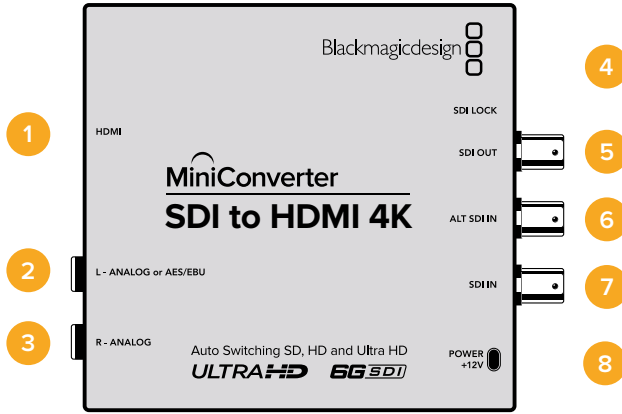
Ses seviyelerini düzeltmek için Converters Setup yazılımındaki 'audio' (ses) sekmesini kullanın.

### Mini Converter SDI to HDMI Blok Şeması



### Mini Converter SDI to HDMI 4K

Mini Converter SDI to HDMI 4K ve SDI to HDMI 4K Heavy Duty modeli ile, çok çeşitli HDMI ekran ve video projektörünü, SDI tabanlı ekipmana bağlayabilirsiniz. Mini Converter SDI to HDMI 4K cihazınız, SD/HD/3G/6G-SDI standartlarını otomatik olarak tespit eder ve gömülü ses içerikli HDMI'ya ve dengeli AES/EBU veya analog ses çıkışına dönüştürür. HDMI ani kilitleme özelliği, HDMI çıkışının kilitletmesini mümkün kılar. Böylelikle, aynı formatı kullanarak kaynak değiştirme işlemi temiz ve sorunsuz olur. Çeviriciniz; HDMI çıkışına bağlı bir HD monitör veya televizyon tespit ederse ve SDI girişinde Ultra HD kaynak bağlı ise, Ultra HD kaynağı bir HD ekranda izleyebilmeniz için, Ultra HD kaynak otomatik olarak alt formata dönüştürülecektir.



## Konektörler

- 1 HDMI**  
HDMI A tipi video çıkışı.
- 2 L (Sol) – ANALOG veya AES/EBU**  
Dengeli sol kanal analog ses veya AES/EBU dijital ses çıkışı 1/4" jak konektörü.
- 3 R (Sağ) - ANALOG**  
Dengeli sağ kanal analog ses çıkışı 1/4" jak konektörü.
- 4 MINI-B USB PORT**  
Mac OS X veya Windows bilgisayarınız üzerinden, Converters Setup yazılımına bağlanır. Mini Converter'in dahili yazılımı da USB portu kullanılarak güncellenir.
- 5 SDI ÇIKIŞI**  
SDI video çıkışı BNC konektörü.
- 6 ALT SDI GİRİŞİ**  
Yedek SDI girişi, opsiyonel bir yedek olarak sunulur.
- 7 SDI GİRİŞİ**  
Ana SDI girişi.
- 8 GÜÇ +12V**  
12 volt güç kaynağı girişi.

## Anahtarlar

**BİLGİ** Mini Converter Heavy Duty modelinde, anahtarlar bir lastik toz kapağı ile korunur. Anahtarlara ulaşmak için kapağı kaldırmanız yeterlidir.

Mini Converter SDI to HDMI 4K'nın anahtarları, aşağıdaki ayarları sunar:

### Anahtar 8 - Analog Ses, AES/EBU Ses

Dengeli analog ses seçeneği için, 8 numaralı anahtarı 'OFF' (kapalı) veya dijital AES/EBU ses çıkışı için 'ON' (açık) olarak ayarlayın.

### Anahtar 4 - SDI Ses Ayrıştırma Bit 2

4, 3 ve 2 numaralı anahtarlar, 8 adet AÇIK/KAPALI (ON/OFF) kombinasyon sunmak üzere bir arada gruplandırılmıştır. Sekiz farklı kombinasyonun olması; SDI girişinizden ve çıkışınızdan sekiz bağımsız ses kanal çiftinin HDMI, analog veya AES/EBU ses olarak ayrıştırılmasına olanak verir.



### Anahtar 3 - SDI Ses Ayırıştırma Bit 1

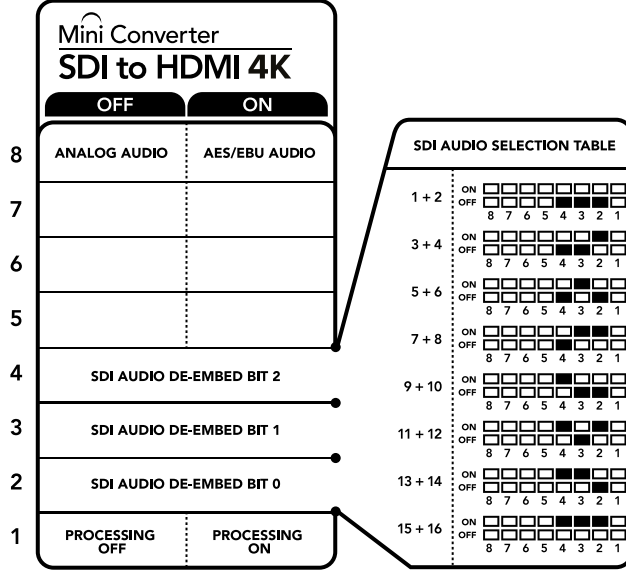
4. anahtarın tanımına bakın.

### Anahtar 2 - SDI Ses Ayırıştırma Bit 0

4. anahtarın tanımına bakın.

### Anahtar 1 - Processing Off (İşlem Kapalı) - Processing On (İşlem Açık)

Bu anahtar kullanılmıyor.



Çevircinizin altındaki anahtar açıklamaları, dönüşüm ayarlarını değiştirmeniz için ihtiyacınız olan tüm bilgileri sunar.

### Mini Anahtar Ayarları Örneği

8, 4, 3 ve 2 numaralı anahtarları OFF (kapalı) konumuna getirip, Blackmagic Mini Converter'inizi, 1. ve 2. SDI ses kanallarını ayırıştırması ve analog olarak çıkarması için ayarlayarak, anahtarlarla denemeler yapabilirsiniz.

### SDI Ses Seçim Tablosu

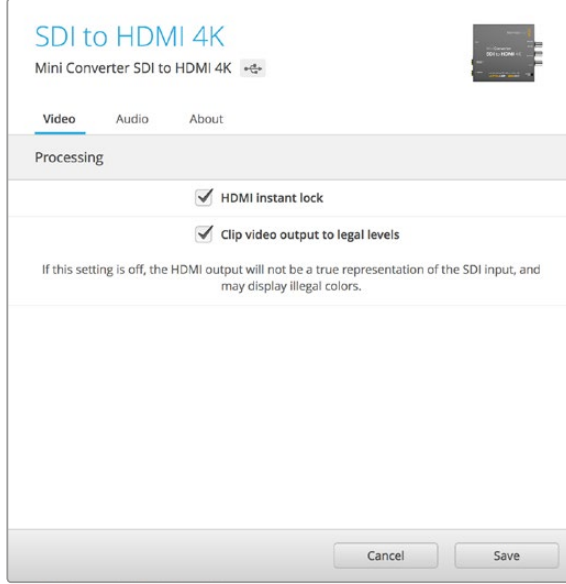
Ses Kanalları	Anahtar 4	Anahtar 3	Anahtar 2	Anahtar (Switch) Şeması
1 ve 2	KAPALI	KAPALI	KAPALI	ON OFF 8 7 6 5 4 3 2 1
3 ve 4	KAPALI	KAPALI	AÇIK	ON OFF 8 7 6 5 4 3 2 1
5 ve 6	KAPALI	AÇIK	KAPALI	ON OFF 8 7 6 5 4 3 2 1
7 ve 8	KAPALI	AÇIK	AÇIK	ON OFF 8 7 6 5 4 3 2 1
9 ve 10	AÇIK	KAPALI	KAPALI	ON OFF 8 7 6 5 4 3 2 1
11 ve 12	AÇIK	KAPALI	AÇIK	ON OFF 8 7 6 5 4 3 2 1
13 ve 14	AÇIK	AÇIK	KAPALI	ON OFF 8 7 6 5 4 3 2 1
15 ve 16	AÇIK	AÇIK	AÇIK	ON OFF 8 7 6 5 4 3 2 1

## Blackmagic Converters Setup Ayarları

Converters Setup yardımcı yazılımı, ayarları değiştirmek ve Mini Converter cihazınızın yazılımını güncellemek için kullanılabilir. Bu ayarlara; 'video', 'ses' (audio) ve 'hakkında' (about) sekmeleri arasında hareket ederek erişebilirsiniz.

'Hakkında' sekmesine ilişkin açıklayıcı bilgi, bu kılavuzun 'ayarların değiştirilmesi' bölümünde bulunur.

Mini Converter SDI to HDMI 4K için 'video' sekmesi, aşağıdaki ayarları içerir.



'Video çıkışı geçerli seviyelere kırp' ayarı, varsayılan ayar olarak işaretlenmiştir. Bu işlem, HDMI video çıkışınızın geçerli seviyeler dahilinde kalmasını sağlar.

### İşlem menüsü

#### • HDMI Anında Kilitleme Özelliği

HDMI anında kilitleme özelliğini etkinleştirmek için bu onay kutusunu seçiniz. HDMI anında kilitleme özelliği etkinleştirildiğinde, kaynaklarınızı değiştirirken bile HDMI çıkış sinyali aktif kalır. Bu, çevircinizin video çıkışını görüntülemeye başlamadan önce, HDMI sinyali zaten kilitli olduğundan, HDMI televizyon veya monitörün kilitlenmesini beklemesine gerek olmadığı anlamına gelir. Bu özelliğin, yalnızca aynı video standardını kullanan kaynakları değiştirirken çalıştığını, aklınızda bulundurmanızda yarar var.

HDMI anında kilitleme özelliği, videoda ve seste kısa bir gecikmeye sebep olabilir. Bu nedenle, dönüştürülmüş çıkışınızda sıfır gecikme istiyorsanız, onay kutusundaki seçimi iptal ederek, HDMI anında kilitleme özelliğini atlayabilirsiniz.

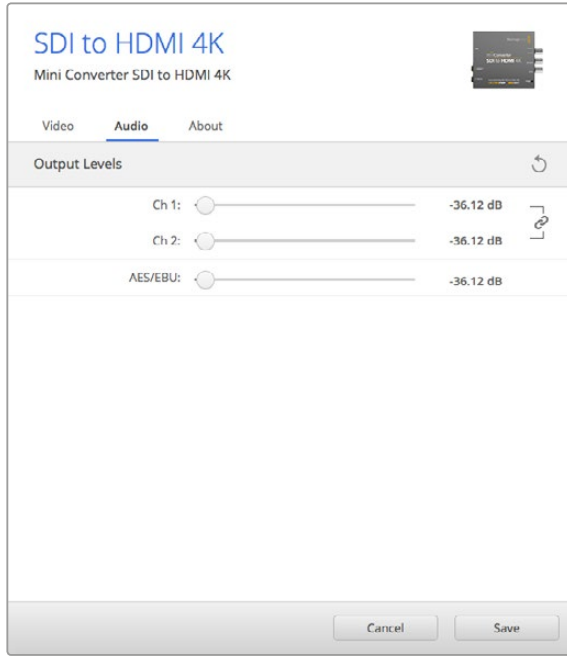
#### • Video Çıkışını Geçerli Seviyelere Kırp

Bu onay kutusu, SDI girişinizin kırpma (clipping) seviyesini kontrol ederek, HDMI geçerli seviyeler dahilinde kalmasını sağlar ve bu ayar, varsayılan ayar olarak açık kalmalıdır.

### Çıkış Seviyeleri menüsü

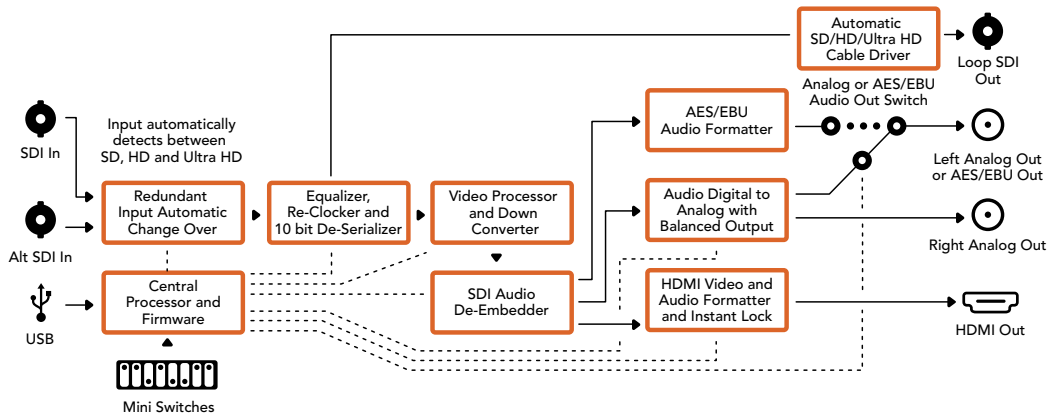
Bu menü ses çıkışındaki kazanç (gain) değerini düzeltmenizi sağlar. Ses seviyelerini her kanal için bağımsız olarak veya kanal sürgülerinin yanındaki 'link' ikonunu tıklayarak hepsini birlikte düzeltebilirsiniz. Tüm ses seviyelerini 0 dB'ye sıfırlamak için, 'çıkış seviyeleri' menüsünün üst kısmındaki 'reset' (sıfırla) butonunu tıklayın.

Mini Converter SDI to HDMI 4K için 'ses' sekmesi, aşağıdaki ayarları içerir.



Ses seviyelerini düzeltmek için Converters Setup eklentisindeki 'audio' (ses) sekmesini kullanın.

### Mini Converter SDI to HDMI 4K Blok Şeması

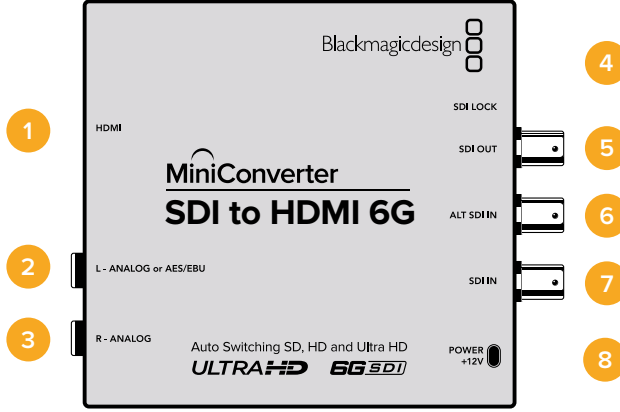


### MINI Converter SDI to HDMI 6G

Mini Converter SDI to HDMI 6G ile, çok çeşitli HDMI ekran ve video projektörünü, SDI tabanlı ekipmana bağlayabilirsiniz. Mini Converter SDI to HDMI 6G cihazınız, SD SDI, HD-SDI, 3G-SDI ve 6G-SDI arasında giriş kaynaklarını otomatik olarak tespit eder ve gömülü ses içerikli HDMI'ya ve dengeli AES/EBU veya analog ses çıkışına dönüştürür.

HDMI ani kilitleme özelliği, HDMI çıkışının kilitlemesini mümkün kılar. Böylelikle, aynı formatı kullanarak kaynak değiştirme işlemi temiz ve sorunsuz olur. Çeviriciniz; HDMI çıkışına bağlı bir HD monitör veya televizyon tespit ederse ve SDI girişinde Ultra HD kaynak bağlı ise, Ultra HD kaynağı bir HD ekranda izleyebilmeniz için, Ultra HD kaynak otomatik olarak alt formata dönüştürülecektir.

Ayrıca, dönüştürülmüş çıkışınıza; görünüm, renk dereceleri ve renk profilleri ilave etmek için 3D LUT'lar da yükleyebilirsiniz. 3D LUT, renk düzeltme işlemlerinde daha doğru sonuçlar elde etmeye yarayan tam 33 noktalı bir dönüşüm tablosudur. Tüketici televizyonlarının kritik renk düzeltme çalışmalarında kullanılması için, televizyonların doğru renk kalibrasyonu için de kullanılabilirler. 3D LUT ayrıca, farklı renk alanlarının çeşitli ekranlarla kullanılabilmesi için renk alanı dönüşümlerini de mümkün kılar. Mini Converter SDI to HDMI 6G cihazınız, iki adet varsayılan LUT ile gelir. Bunlar; renkliden monokroma (tek renkli) ve Blackmagic kamera varsayılan renk uzayından REC 709'a olmaktadır.



## Konektörler

- 1 HDMI**  
HDMI A tipi video çıkışı.
- 2 L (Sol) – ANALOG veya AES/EBU**  
Dengeli sol kanal analog ses veya AES/EBU dijital ses çıkışı 1/4" jak konektörü.
- 3 R (Sağ) - ANALOG**  
Dengeli sağ kanal analog ses çıkışı 1/4" jak konektörü.
- 4 MINI-B USB PORT**  
Mac OS X veya Windows bilgisayarınız üzerinden, Converters Setup yazılımına bağlıdır. Mini Converter'in dahili yazılımı da USB portu kullanılarak güncellenir.
- 5 SDI ÇIKIŞI**  
SDI video çıkışı BNC konektörü.
- 6 ALT SDI GİRİŞİ**  
Yedek SDI girişi, opsiyonel bir yedek olarak sunulur.
- 7 SDI GİRİŞİ**  
Ana SDI girişi.
- 8 GÜÇ +12V**  
12 volt güç kaynağı girişi.

## Anahtarlar

Mini Converter SDI to HDMI 6G'nin anahtarları, aşağıdaki ayarları sunar:

### Anahtar 8 - Analog Ses, AES/EBU Ses

Dengeli analog ses seçeneği için, 8 numaralı anahtar 'OFF' (kapalı) veya dijital AES/EBU ses çıkışı için 'ON' (açık) olarak ayarlayın.

### Anahtar 7 - LUT Off (Kapalı) , LUT On (Açık)

LUT'u etkisiz hale getirmek için 7. anahtar OFF olarak ve etkinleştirmek için de ON olarak ayarlayın.

## Anahtar 6 - LUT 1, LUT2

LUT 1'i seçmek için 6. Anahtarı OFF olarak ve LUT 2'yi seçmek için de ON olarak ayarlayın.

## Anahtar 5 - LUT Açık Döngü (Loop) Kapalı, LUT Açık Döngü (Loop) Açık

LUT Açık Döngü (Loop) Kapalı modunu seçmek için 5. Anahtarı OFF olarak ve LUT Açık Döngü (Loop) Açık modunu seçmek için de ON olarak ayarlayın.

## Anahtar 4 - SDI Ses Ayırıştırma Bit 2

4, 3 ve 2 numaralı anahtarlar, 8 adet AÇIK/KAPALI (ON/OFF) kombinasyon sunmak üzere bir arada gruplandırılmıştır. Sekiz farklı kombinasyonun olması; SDI girişinizden ve çıkışınızdan sekiz bağımsız ses kanal çiftinin HDMI, analog veya AES/EBU ses olarak ayırıştırılmasına olanak verir.

## Anahtar 3 - SDI Ses Ayırıştırma Bit 1

4. anahtarın tanımına bakın.

## Anahtar 2 - SDI Ses Ayırıştırma Bit 0

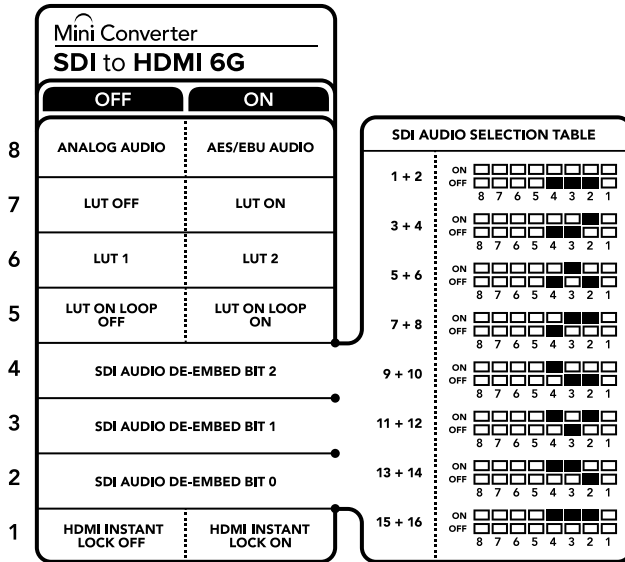
4. anahtarın tanımına bakın.

## Anahtar 1 - HDMI Ani Kilitleme Modu Kapalı, HDMI Ani Kilitleme Modu Açık

HDMI Ani Kilitleme Özelliği Kapalı modunu seçmek için 1. Anahtarı OFF olarak ve HDMI Ani Kilitleme Özelliği Açık modunu seçmek için de ON olarak ayarlayın.

HDMI anında kilitleme özelliği etkinleştirildiğinde, kaynaklarınızı değiştirirken bile HDMI çıkış sinyali aktif kalır. HDMI sinyali zaten kilitli olduğundan bu, çevircinizin video çıkışını görüntülemeyen önce HDMI televizyon veya monitörün kilitlenmesini beklemesine gerek olmadığı anlamına gelir. Bu özelliğin, yalnızca aynı video standardını kullanan kaynakları değiştirirken çalıştığını, aklınızda bulundurmanızda yarar var.

HDMI anında kilitleme özelliği, videoda ve seste kısa bir gecikmeye sebep olabilir. Bu nedenle, dönüştürülmüş çıkışınızda sıfır gecikme istiyorsanız, HDMI ani kilitleme özelliğini OFF (kapalı) moda getirerek, HDMI anında kilitleme özelliğini atlayabilirsiniz.


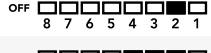


Çevircinizin altındaki anahtar açıklamaları, dönüşüm ayarlarını değiştirmeniz için ihtiyacınız olan tüm bilgileri sunar

## Mini Anahtar Ayarları Örneği

8, 4, 3 ve 2 numaralı anahtarları OFF (kapalı) konumuna getirip, Blackmagic Mini Converter'inizi, 1. ve 2. SDI ses kanallarını ayırıştırması ve analog olarak çıkarması için ayarlayarak, anahtarlarla denemeler yapabilirsiniz.

## SDI Ses Seçim Tablosu

Ses Kanalları	Anahtar 4	Anahtar 3	Anahtar 2	Anahtar (Switch) Şeması
1 ve 2	KAPALI	KAPALI	KAPALI	
3 ve 4	KAPALI	KAPALI	AÇIK	
5 ve 6	KAPALI	AÇIK	KAPALI	
7 ve 8	KAPALI	AÇIK	AÇIK	
9 ve 10	AÇIK	KAPALI	KAPALI	
11 ve 12	AÇIK	KAPALI	AÇIK	
13 ve 14	AÇIK	AÇIK	KAPALI	
15 ve 16	AÇIK	AÇIK	AÇIK	

## Blackmagic Converters Setup Ayarları

Converters Setup yardımcı yazılımı, ayarları değiştirmek ve Mini Converter cihazınızın yazılımını güncellemek için kullanılabilir. Bu ayarlara; 'video', 'ses' (audio) ve 'hakkında' (about) sekmeleri arasında hareket ederek erişebilirsiniz. 'Hakkında' sekmesine ilişkin açıklayıcı bilgi, bu kılavuzun 'ayarların değiştirilmesi' bölümünde bulunur.

Mini Converter SDI to HDMI 6G için 'video' sekmesi, aşağıdaki ayarları içerir.



'Video çıkışı geçerli seviyelere kırp' ayarı, varsayılan ayar olarak işaretlenmiştir. Bu işlem, HDMI video çıkışınızın geçerli seviyeler dahilinde kalmasını sağlar.

## İşlem menüsü

### • 33 Noktalı 3D LUT

Mini Converter SDI to HDMI 6G cihazınız, DaVinci Resolve yazılımı kullanılarak oluşturulabilen .cube LUT dosyalarını veya .cube dosyalarını dışa aktarabilen diğer renk düzeltme yazılımlarını destekler.

Her bir LUT yuvası için olan 'load' (yükle) butonunu tıklayıp, bilgisayarınızdaki dilediğiniz .cube dosyasını seçerek ve 'OK' ibaresini tıklayarak, 2 ayrı LUT yükleyebilirsiniz. Ayarlarınızı doğrulamak için, 'kaydet' (save) üzerine tıklayın. LUT 1 veya LUT 2 için hangi LUT'un kullanıldığını belirtmek üzere, LUT dosya adı, her bir 'load' butonunun yanında belircektir.

### • 3D LUT nedir?

3D LUT veya '3D Lookup Table'; video renk alanını 3 boyutlu bir küp alanında, yeni bir renk değerleri setine dönüştürmek için kullanılan bir değerler tablosu içeren dosyadır.

Bu renk küpü, her bir ana rengin karışımları arasındaki tüm değişiklikleri içerir ve x,y,z olmak üzere, üç mekansal boyutta tanımlanır. SDI giriş videosundaki RGB kanalları, HDMI video çıkışındaki başka herhangi bir RGB çıkış rengiyle yeniden eşleştirilebilir. Bu çok güçlü bir özelliktir çünkü, herhangi bir rengin başka bir renkle eşleştirilebileceği anlamına gelir. Bu sayede, ekranların kalibrasyonu için tam doğrulukta renk düzeltmeleri yapabilir veya doğrusal gamma değerlerini görmek istediğinizde, sette farklı raw kamera dosyalarıyla çalışırken, bunları görüntülemek amacıyla log gamma eğrilerini yükleyebilirsiniz.

3D LUT'ların ne kadar etkili olduğunu göstermek için, yüklenmiş varsayılan LUT'lardan biri, giriş videonuzu siyah ve beyaza dönüştürebilir. Bu, 3D LUT üzerinden girişteki tüm RGB renklerinin, HDMI çıkışı üzerinden siyah ve beyaz RGB çıkış değerlerine yeniden eşleştirildiğini gösterir. Kendi 3D LUT'larınızı oluşturarak yönetici yazılımı üzerinden yükleyebilirsiniz ve DaVinci Resolve; bir renk derecelendirme ayarını, daha sonra Mini Converter SDI to HDMI 6G'nize yükleyebileceğiniz bir 3D LUT'a dönüştürmenize bile imkan verir. 3D LUT'u, SDI video döngü çıkışına yönlendirebilirsiniz. Böylece, HDMI çıkışını kullanmasanız bile, Mini Converter'inizi bir 3D LUT renk işlemcisi olarak atayabilirsiniz!

Bir 3D LUT .cube dosyası oluşturmak hakkında daha fazla bilgi için, [www.blackmagicdesign.com/tr/support](http://www.blackmagicdesign.com/tr/support) adresindeki Blackmagic Design web sitesinden indirebileceğiniz, DaVinci Resolve kılavuzuna bakınız.

### • Video Çıkışını Geçerli Seviyelere Kırp

Bu onay kutusu, SDI girişinizin kırpma (clipping) seviyesini kontrol ederek, HDMI geçerli seviyeler dahilinde kalmasını sağlar ve bu ayar, varsayılan ayar olarak açık kalmalıdır.

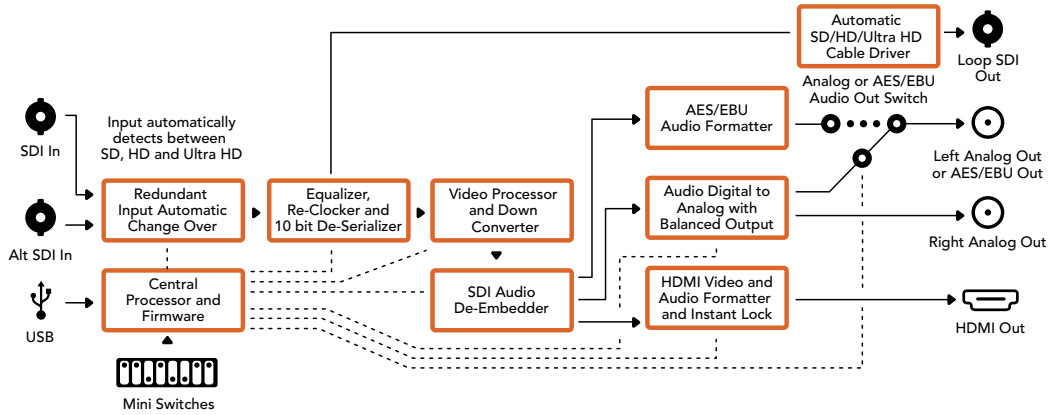
## Çıkış Seviyeleri menüsü

Bu menü, ses çıkışındaki kazanç (gain) değerini ayarlamanızı sağlar. Ses seviyelerini her kanal için bağımsız olarak veya kanal sürgülerinin yanındaki 'link' ikonunu tıklayarak hepsini birlikte düzeltebilirsiniz. Tüm ses seviyelerini 0 dB'ye sıfırlamak için, 'çıkış seviyeleri' menüsünün üst kısmındaki 'reset' (sıfırla) butonunu tıklayın. Mini Converter SDI to HDMI 6G için 'ses' sekmesi, aşağıdaki ayarları içerir.



Ses seviyelerini düzeltmek için Converters Setup yazılımındaki 'audio' (ses) sekmesini kullanın

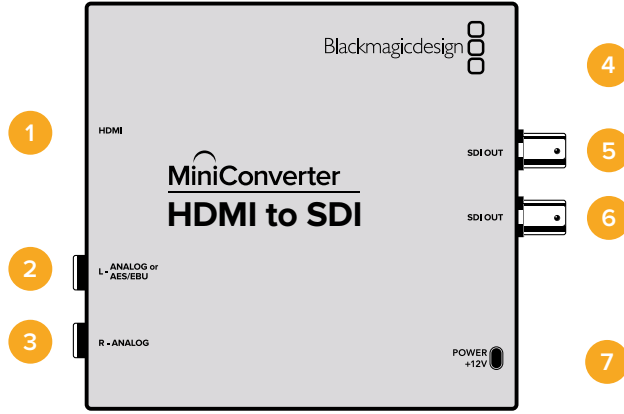
### Mini Converter SDI to HDMI 6G Blok Şeması



### Mini Converter HDMI to SDI

Mini Converter HDMI to SDI cihazınız; HDV kamera ve oyun konsolları gibi cihazların HDMI çıkışını; HDMI, AES/EBU veya dengeli analog ses girişlerinden gelen sesi de gömme seçeneği ile, SDI'ya dönüştürebilir. Böylelikle, en uzun SDI kablolarını kullanarak, SDI üzerinden HDMI video sinyallerini gönderebilirsiniz. Hatta, HDMI uyumluluğu olan bilgisayarlara SDI çıkışları bile ilave edebilirsiniz. Bu çeviricinin ayrıca, HD'den SD'ye aşağı dönüşüm özelliği de var.





## Konektörler

- 1 HDMI**  
HDMI A tipi video girişi.
- 2 L (Sol) – ANALOG veya AES/EBU**  
Dengeli sol kanal analog ses veya bir 1/4" jak konektör üzerinde AES/EBU dijital ses girişi.
- 3 R (Sağ) - ANALOG**  
Dengeli sağ kanal analog ses girişi 1/4" jak konektörü.
- 4 MINI-B USB PORT**  
Mac OS X veya Windows bilgisayarınız üzerinden, Converters Setup yazılımına bağlanır. Mini Converter'in dahili yazılımı da USB portu kullanılarak güncellenir.
- 5 SDI ÇIKIŞI**  
Bir BNC konektörde SDI video çıkışı.
- 6 SDI ÇIKIŞI**  
İkinci SDI çıkışı.
- 7 GÜÇ +12V**  
12 volt güç kaynağı girişi.

## Anahtarlar

Mini Converter HDMI to SDI'nin anahtarları, aşağıdaki ayarları sunar:

### Anahtar 8 - Analog Ses, AES/EBU Ses

Dengeli analog ses seçeneği için 8 numaralı anahtar 'OFF' (kapalı) veya dijital AES/EBU ses girişi için 'ON' (açık) olarak ayarlayın. Bu girişleri kullanabilmek için 7. anahtar da 'ON' (açık) olarak ayarlanmalıdır.

### Anahtar 7 - HDMI Ses - Giriş Sesi

Gömülü HDMI ses seçeneği için 7 numaralı anahtar 'OFF' (kapalı) veya analog ya da AES/EBU ses için 'ON' (açık) olarak ayarlayın.

### Anahtar 1 - Processing Off (İşlem Kapalı) - Processing On (İşlem Açık)

1. anahtarın ayarları içinde ilerleyerek HD'yi SD'ye 3 farklı görüntü oranıyla aşağıya dönüştürün. Örneğin, OFF ve ON ayarları arasında her ilerlediğinizde; anamorfik, center cut veya letterbox görüntü oranlarından birini uygularsınız. Anahtar 1'i OFF ayarında bırakmak, aşağıya çeviriciyi atlar ve HD'de çıkış sağlar.

Blackmagic Converters Setup eklentisine USB üzerinden bağlandığınızda, aşağıya dönüşüm ayarlarınız yazılım tarafından kontrol edilir. Yazılım ayarlarının çevirici tarafından hatırlanmasını isterseniz, bilgisayarla bağlantıyı kesin, çeviriciyi yeniden çalıştırın ve mini anahtar 1'i kullanarak aşağıya dönüşüm seçiminizi ayarlayın.

Mini Converter HDMI to SDI	
OFF	ON
8 ANALOG AUDIO	AES/EBU AUDIO
7 HDMI AUDIO	INPUT AUDIO
6	
5	
4	
3	
2	
1 PROCESSING OFF	PROCESSING ON

Çevircinizin altındaki anahtar açıklamaları, dönüşüm ayarlarını değiştirmeniz için ihtiyacınız olan tüm bilgileri sunar.

## Blackmagic Converters Setup Ayarları

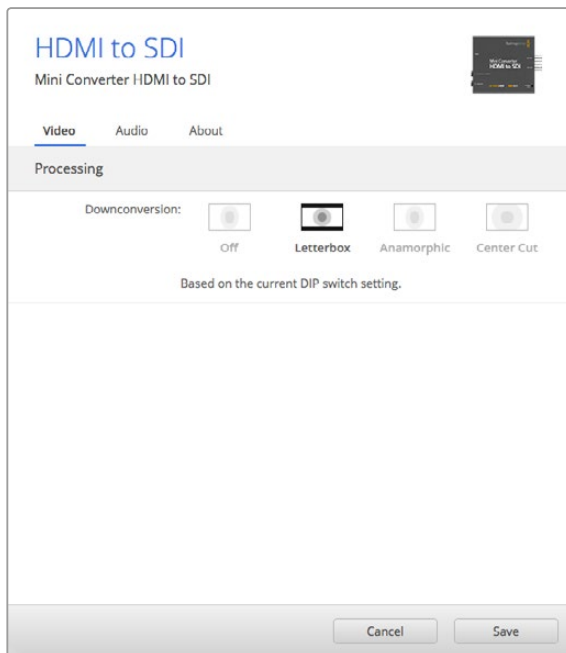
Converters Setup yardımcı yazılımı, ayarları değiştirmek ve Mini Converter cihazınızın yazılımını güncellemek için kullanılabilir. Bu ayarlara; 'video', 'ses' (audio) ve 'hakkında' (about) sekmeleri arasında hareket ederek erişebilirsiniz.

'Hakkında' sekmesine ilişkin açıklayıcı bilgi, bu kılavuzun 'ayarların değiştirilmesi' bölümünde bulunur.

Mini Converter HDMI to SDI için 'video' sekmesi, aşağıdaki ayarları içerir.

### İşlem menüsü

Bu menü, HD'den SD'ye aşağıya dönüştürülmüş içeriğin görüntü oranını seçmenizi sağlar. Letterbox, anamorfik, center cut veya işlemsiz (no processing) seçenekleri arasından tercih yapabilirsiniz.

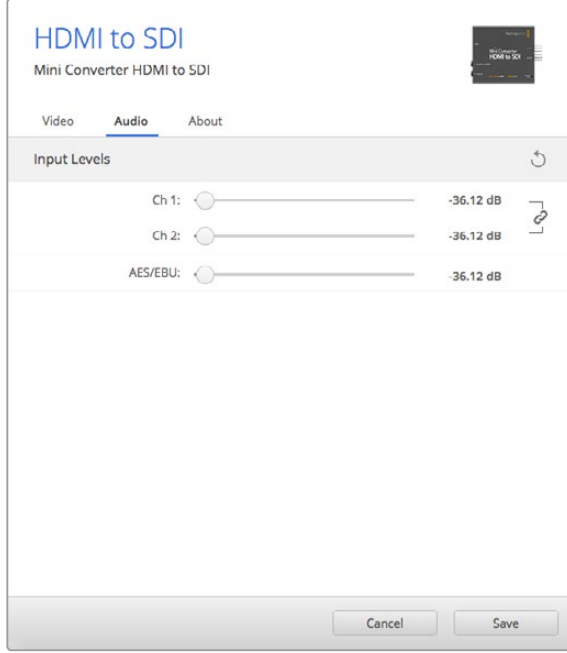


İşlem ayarlarını değiştirmek için, Converters Setup eklentisindeki 'video' sekmesini kullanın.

Mini Converter HDMI to SDI için 'ses' sekmesi, aşağıdaki ayarları içerir.

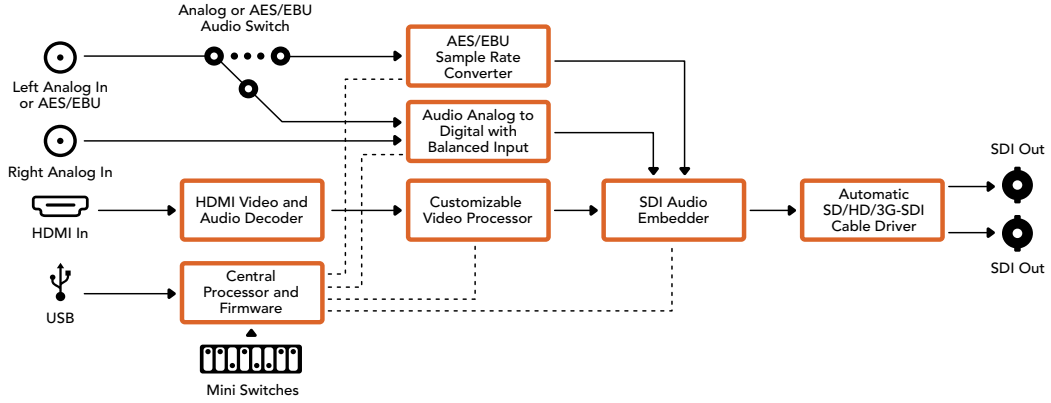
### Giriş Seviyeleri menüsü

Bu menü, ses girişindeki kazanç (gain) değerini ayarlamana sağlar. Ses seviyelerini, her kanal için bağımsız olarak veya kanal sürgülerinin yanındaki 'link' ikonunu tıklayarak hepsini birlikte düzeltebilirsiniz. Tüm ses seviyelerini 0 dB'ye sıfırlamak için, 'giriş seviyeleri' menüsünün üst kısmındaki 'reset' (sıfırla) butonunu tıklayın.



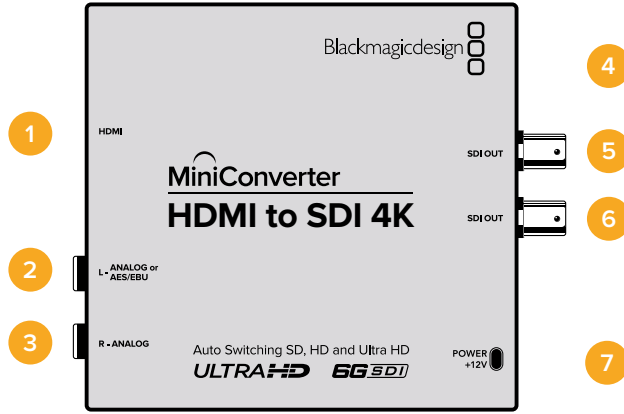
Ses seviyelerini düzeltmek için Converters Setup eklentisindeki 'audio' (ses) sekmesini kullanın.

### Mini Converter HDMI to SDI Blok Şeması



### Mini Converter HDMI to SDI 4K

Mini Converter HDMI to SDI ve HDMI to SDI 4K Heavy Duty modeli; HDV kamera ve oyun konsolları gibi cihazların HDMI çıkışını; HDMI, AES/EBU veya dengeli analog ses girişlerinden gelen sesi de gömme seçeneği ile, SDI'ya dönüştürebilir. Böylelikle, en uzun SDI kablolarını kullanarak, SDI üzerinden HDMI video sinyallerini gönderebilirsiniz. Hatta, HDMI uyumluluğu olan bilgisayarlara SDI çıkışları bile ilave edebilirsiniz.



## Konektörler

- 1 HDMI**  
HDMI A tipi video girişi.
- 1 L (Sol) – ANALOG veya AES/EBU**  
Dengeli sol kanal analog ses veya AES/EBU dijital ses girişi 1/4" jak konektörü.
- 2 R (Sağ) - ANALOG**  
Dengeli sağ kanal analog ses girişi 1/4" jak konektörü.
- 3 MINI-B USB PORT**  
Mac OS X veya Windows bilgisayarınız üzerinden, Converters Setup yazılımına bağlanır. Mini Converter'in dahili yazılımı da USB portu kullanılarak güncellenir.
- 4 SDI ÇIKIŞI**  
SDI video çıkışı BNC konektörü.
- 5 SDI ÇIKIŞI**  
İkinci SDI çıkışı.
- 6 GÜÇ +12V**  
12 volt güç kaynağı girişi.

## Anahtarlar

**BİLGİ** Mini Converter Heavy Duty modelinde, anahtarlar bir lastik toz kapağı ile korunur. Anahtarlara ulaşmak için kapağı kaldırmamız yeterlidir. Mini Converter HDMI to SDI 4K'nın anahtarları, aşağıdaki ayarları sunar:

### Anahtar 8 - Analog Ses, AES/EBU Ses

Dengeli analog ses seçeneği için 8 numaralı anahtarı 'OFF' (kapalı) veya dijital AES/EBU ses girişi için 'ON' (açık) olarak ayarlayın. Bu girişleri kullanabilmek için 7. anahtar da 'ON' (açık) olarak ayarlanmalıdır.

### Anahtar 7 - HDMI Ses - Giriş Sesi

Gömülü HDMI ses seçeneği için 7 numaralı anahtarı 'OFF' (kapalı) veya analog ya da AES/EBU ses için 'ON' (açık) olarak ayarlayın.

## Anahtar 2, 1 - Format Seç Bit 1,0

Ultra HD ve HD çıkış sağlayabilen bir HDMI kaynağını bağlarken, kaynak çıkışını herhangi birine zorlaması için çeviricinizi ayarlayabilirsiniz. Daha büyük olması ve daha kolay izlenebilmesi için, bilgisayarınızın masaüstünü bir SDI ekipmanda, HD çözünürlükte kaydetmek veya görüntülemek istediğinizde bu faydalı olabilir.

Bu bir yukarı veya aşağı dönüşüm ayarı gibi görünse de aslında çeviricinizin yaptığı şey, yukarı veya aşağı dönüşüm işlemi yapmadan, kaynak videonun yerel (native) HD veya Ultra HD çözünürlüğünü aktarması için, kaynak ekipmana Ultra HD veya HD video çıkışı sağlamasını bildirmektir.

Kaynak videonuzu HD veya Ultra HD'ye zorlamak ya da çeviriciniz ve kaynak ekipman arasında, optimum çözünürlüğe dair otomatik bir anlaşma yapılmasını sağlamak için, 1. ve 2. anahtar kombinasyonlarını kullanmanız yeterlidir.

Kombinasyon ayarları aşağıda verilmiştir.

### OTOMATİK - 1. Anahtar OFF (KAPALI), 2. Anahtar OFF (KAPALI).

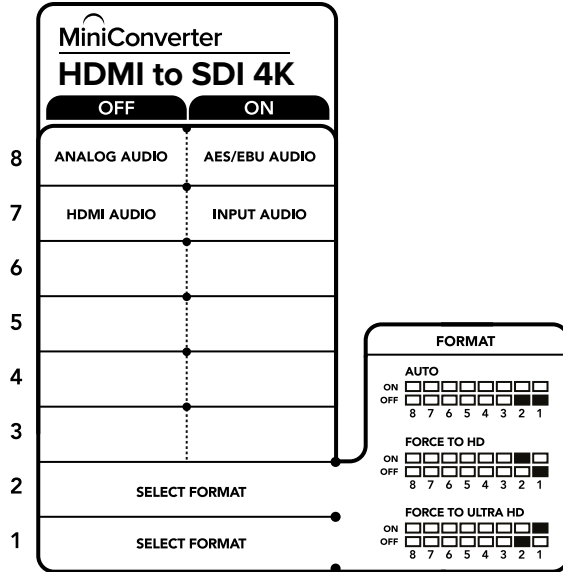
Çıkış kapasitesine bağlı olarak, çeviriciniz kaynak ekipmanınızla optimum HD veya Ultra HD çözünürlük üzerinde anlaşacaktır.

### HD'ye ZORLA - 1. Anahtar OFF (KAPALI), 2. Anahtar ON (AÇIK).

HDMI kaynak cihazınız, HD ve Ultra HD çıkarma kapasitesine sahipse çeviriciniz, kaynak ekipmanınıza HD video çıkışı sağlaması için komut verecektir.

### ULTRA HD'ye ZORLA - 1. Anahtar ON (AÇIK), 2. Anahtar OFF (KAPALI).

HDMI kaynak cihazınız, HD ve Ultra HD çıkarma kapasitesine sahipse çeviriciniz, kaynak ekipmanınıza HD video çıkışı sağlaması için komut verecektir.



Çeviricinizin altındaki anahtar açıklamaları, dönüşüm ayarlarını değiştirmeniz için ihtiyacınız olan tüm bilgileri sunar.

## Blackmagic Converters Setup Ayarları

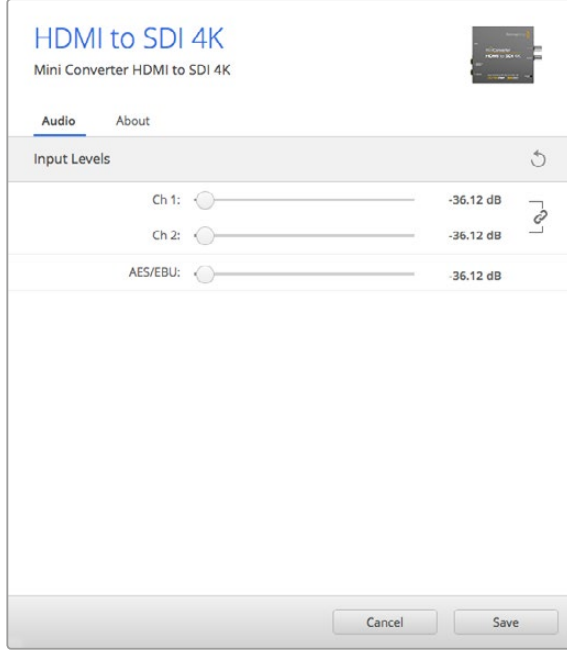
Converters Setup yardımcı yazılımı, ayarları değiştirmek ve Mini Converter cihazınızın yazılımını güncellemek için kullanılabilir. Bu ayarlara; 'ses' (audio) ve 'hakkında' (about) sekmeleri arasında hareket ederek erişebilirsiniz.

'Hakkında' sekmesine ilişkin açıklayıcı bilgi, bu kılavuzun 'ayarların değiştirilmesi' bölümünde bulunur.

Mini Converter HDMI to SDI 4K için 'ses' sekmesi, aşağıdaki ayarları içerir.

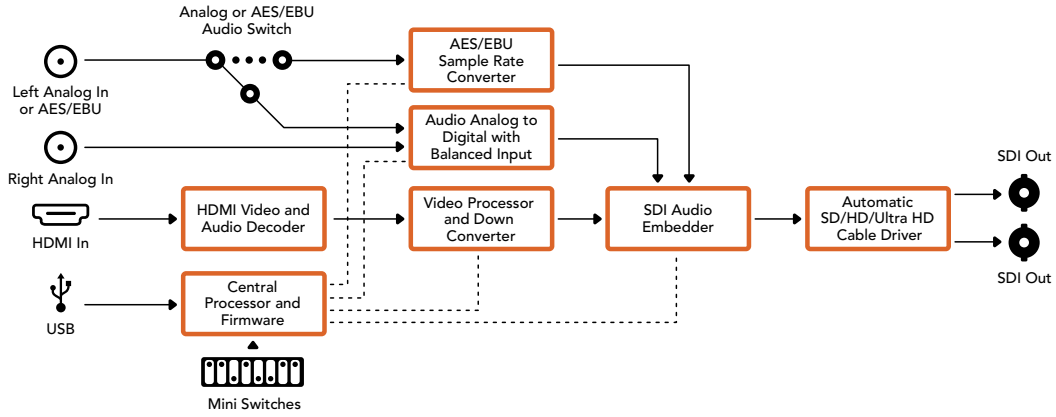
## Giriş Seviyeleri menüsü

Bu menü, ses girişindeki kazanç (gain) değerini ayarlamanızı sağlar. Ses seviyelerini, her kanal için bağımsız olarak veya kanal sürgülerinin yanındaki 'link' ikonunu tıklayarak hepsini birlikte düzeltebilirsiniz. Tüm ses seviyelerini 0 dB'ye sıfırlamak için, 'giriş seviyeleri' menüsünün üst kısmındaki 'reset' (sıfırla) butonunu tıklayın.



Ses seviyelerini düzeltmek için Converters Setup eklentisindeki 'audio' (ses) sekmesini kullanın.

## Mini Converter HDMI to SDI 4K Blok Şeması



## Mini Converter HDMI to SDI 6G

Mini Converter HDMI to SDI 6G cihazınız; HDV kamera ve oyun konsolları gibi cihazların HDMI çıkışını; HDMI, AES/EBU veya dengeli analog ses girişlerinden gelen sesi de gömme seçeneği ile, SDI'ya dönüştürebilir. Böylelikle, en uzun SDI kablolarını kullanarak, SDI üzerinden HDMI video sinyallerini gönderebilirsiniz. Hatta, HDMI uyumluluğu olan bilgisayarlara SDI çıkışları bile ilave edebilirsiniz.



## Konektörler

- 1 HDMI**  
HDMI A tipi video girişi.
- 2 L (Sol) – ANALOG veya AES/EBU**  
Dengeli sol kanal analog ses veya AES/EBU dijital ses girişi 1/4" jak konektörü.
- 3 R (Sağ) - ANALOG**  
Dengeli sağ kanal analog ses girişi 1/4" jak konektörü.
- 4 MINI-B USB PORT**  
Mac OS X veya Windows bilgisayarınız üzerinden, Converters Setup yazılımına bağlanır. Mini Converter'in dahili yazılımı da USB portu kullanılarak güncellenir.
- 5 SDI ÇIKIŞI**  
SDI video çıkışı BNC konektörü.
- 6 SDI ÇIKIŞI**  
İkinci SDI çıkışı.
- 7 GÜÇ +12V**  
12 volt güç kaynağı girişi.

## Anahtarlar

Mini Converter HDMI to SDI 6G'nin anahtarları, aşağıdaki ayarları sunar:

### Anahtar 8 - Analog Ses, AES/EBU Ses

Dengeli analog ses seçeneği için 8 numaralı anahtarı 'OFF' (kapalı) veya dijital AES/EBU ses girişi için 'ON' (açık) olarak ayarlayın. Bu girişleri kullanabilmek için 7. anahtar da 'ON' (açık) olarak ayarlanmalıdır.

### Anahtar 7 - HDMI Ses, Giriş Sesi

Gömülü HDMI ses seçeneği için 7 numaralı anahtarı 'OFF' (kapalı) veya analog ya da AES/EBU ses için 'ON' (açık) olarak ayarlayın.

### Anahtar 6 - 3G B Seviye Çıkış (Normal), 3G A Seviye Çıkışı

3G B seviye Çıkışı seçmek için 6 numaralı anahtarı 'OFF' olarak veya 3G A seviye Çıkışı seçmek için de 'ON' olarak ayarlayın.

### Anahtar 2, 1 - Format Seç Bit 1,0

Ultra HD ve HD çıkış sağlayabilen bir HDMI kaynağını bağlarken, kaynak çıkışını herhangi birine zorlaması için çeviricinizi ayarlayabilirsiniz. Daha büyük olması ve daha kolay izlenebilmesi için, bilgisayarınızın masaüstünü bir SDI ekipmanda, HD çözünürlükte kaydetmek veya görüntülemek istediğinizde bu faydalı olabilir.

Bu bir yukarı veya aşağı dönüşüm ayarı gibi görünse de aslında çeviricinizin yaptığı şey, yukarı veya aşağı dönüşüm işlemi yapmadan, kaynak videonun yerel (native) HD veya Ultra HD çözünürlüğünü aktarması için, kaynak ekipmana Ultra HD veya HD video çıkışı sağlamasını bildirmektir.

Kaynak videonuzu HD veya Ultra HD'ye zorlamak ya da çeviriciniz ve kaynak ekipman arasında, optimum çözünürlüğe dair otomatik bir anlaşma yapılmasını sağlamak için, 1. ve 2. anahtar kombinasyonlarını kullanmanız yeterlidir.

Kombinasyon ayarları aşağıda verilmiştir.

### **OTOMATİK - 1. Anahtar OFF (KAPALI), 2. Anahtar OFF (KAPALI)**

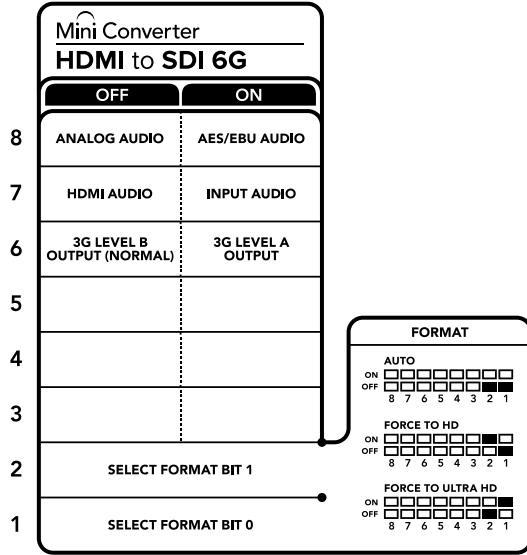
Çıkış kapasitesine bağlı olarak, çeviriciniz kaynak ekipmanınızla optimum HD veya Ultra HD çözünürlük üzerinde anlaşacaktır.

### **HD'ye ZORLA - 1. Anahtar OFF (KAPALI), 2. Anahtar ON (AÇIK)**

HDMI kaynak cihazınız, HD ve Ultra HD çıkarma kapasitesine sahipse, çeviriciniz kaynak ekipmanınıza HD video çıkarması için komut verecektir.

### **ULTRA HD'ye ZORLA - 1. Anahtar ON (AÇIK), 2. Anahtar OFF (KAPALI)**

HDMI kaynak cihazınız, HD ve Ultra HD çıkarma kapasitesine sahipse, çeviriciniz kaynağa Ultra HD video çıkarması için komut verecektir.



Çeviricinizin altındaki anahtar açıklamaları, dönüşüm ayarlarını değiştirmeniz için ihtiyacınız olan tüm bilgileri sunar

## **Blackmagic Converters Setup Ayarları**

Converters Setup yardımcı yazılımı, ayarları değiştirmek ve Mini Converter cihazınızın yazılımını güncellemek için kullanılabilir. Bu ayarlara; 'ses' (audio) ve 'hakkında' (about) sekmeleri arasında hareket ederek erişebilirsiniz. 'Hakkında' sekmesine ilişkin açıklayıcı bilgi, bu kılavuzun 'ayarların değiştirilmesi' bölümünde bulunur. Mini Converter HDMI to SDI 6G için 'ses' sekmesi, aşağıdaki ayarları içerir.

### **Giriş Seviyeleri menüsü**

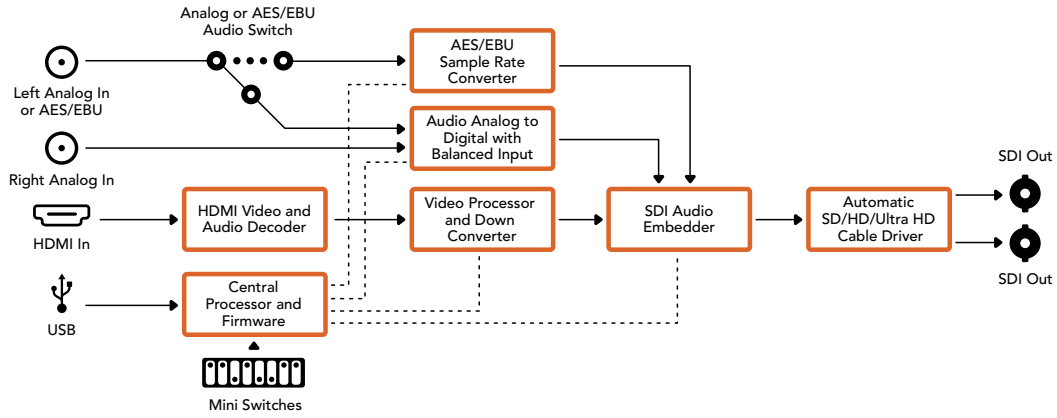
Bu menü, ses girişindeki kazanç (gain) değerini ayarlamayı sağlar. Ses seviyelerini, her kanal için bağımsız olarak veya kanal sürgülerinin yanındaki 'link' ikonunu tıklayarak hepsini birlikte düzeltebilirsiniz. Tüm ses seviyelerini 0 dB'ye sıfırlamak için, 'giriş seviyeleri' menüsünün üst kısmındaki 'reset' (sıfırla) butonunu tıklayın.





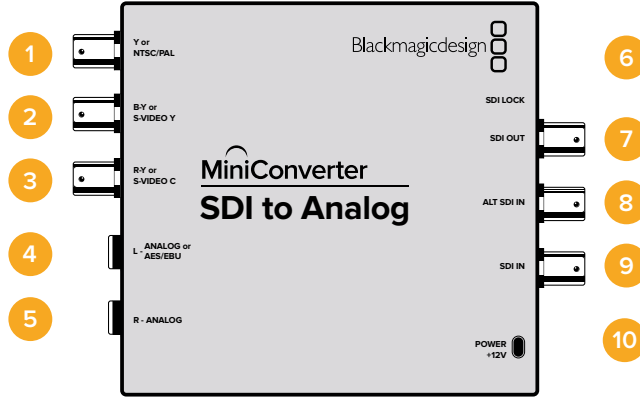
Ses seviyelerini düzeltmek için Converters Setup eklentisindeki 'audio' (ses) sekmesini kullanın.

### Mini Converter HDMI to SDI 6G Blok Şeması



### Mini Converter SDI to Analog

Blackmagic Mini Converter SDI to Analog cihazınız, SD/HD-SDI formatından analog komponent, NTSC ve PAL video çıkışının yanı sıra, dengeli AES/EBU ve analog ses çıkışına dönüşüm yapar. Çeviriciniz analog video monitörleri ve Betacam SP ile VHS gibi deck ünitelerine kolayca bağlanır. Bir donanım aşağı çevirici, HD-SDI videoyu SD analog ekipmana bağlamanızı mümkün kılar. Hatta, 16 adet ayrıştırılmış SDI ses kanalından, analog ses çiftlerini bile çıkarabilirsiniz.



## Konektörler

- 1 Y veya NTSC/PAL**  
Analog komponent Y veya bir BNC konektörde kompozit NTSC/PAL çıkışı.
- 2 B-Y veya S-VIDEO Y**  
Analog komponent B-Y veya S-Video Y çıkışı BNC konektörü.
- 3 R-Y veya S-VIDEO C**  
Analog komponent R-Y veya S-Video C çıkışı BNC konektörü.
- 4 L (Sol) – ANALOG veya AES/EBU**  
Dengeli sol kanal analog ses veya bir 1/4" jak konektör üzerinde AES/EBU dijital ses çıkışı.
- 5 R (Sağ) - ANALOG**  
Dengeli sağ kanal analog ses çıkışı 1/4" jak konektörü.
- 6 MINI-B USB PORT**  
Mac OS X veya Windows bilgisayarınız üzerinden, Converters Setup yazılımına bağlanır. Mini Converter'in dahili yazılımı da USB portu kullanılarak güncellenir.
- 7 SDI ÇIKIŞI**  
Bir BNC konektörde SDI video çıkışı.
- 8 ALT SDI GİRİŞİ**  
Yedek SDI girişi, opsiyonel bir yedek olarak sunulur.
- 9 SDI GİRİŞİ**  
Ana SDI girişi.
- 10 GÜÇ +12V**  
12 volt güç kaynağı girişi.

## Anahtarlar

### Anahtar 8 - Analog Ses, AES/EBU Ses

Dengeli analog ses seçeneği için, 8 numaralı anahtarı 'OFF' (kapalı) veya dijital AES/EBU ses çıkışı için 'ON' (açık) olarak ayarlayın.

### Anahtar 7 - 7.5 IRE - 0.0 IRE

ABD ve 7.5 setup (siyah seviyesi) ile NTSC kullanan ülkeler, 7. anahtarı 'OFF' olarak ayarlamalıdır. 7.5 setup kullanmayan ülkelerde çalışıyorsanız, 7. anahtarı 'ON' olarak ayarlayın. Bu ayar, yalnızca kompozit veya S-Video çıkışlarını etkiler.

### Anahtar 6 - SMPTE Seviyeleri - Betacam Seviyeleri

SMPTE seviyeleri için 6. anahtarı 'OFF' olarak veya Betacam seviyeleri için 'ON' olarak ayarlayın. SMPTE seviyeleri daha yaygındır ve Betacam SP deck'leri bile SMPTE seviyelerini kullanabilir. Bu yüzden, yalnızca Betacam seviyelerinin kullanıldığından emin olduğunuz durumlarda, bunu Betacam olarak ayarlayınız.

### Anahtar 5 - Komponent, Kompozit veya S-Video.

5. anahtarı, analog komponent video çıkışı için 'OFF' olarak veya kompozit ya da S-Video çıkışları için 'ON' olarak ayarlayın.

S-Video ve kompozit çıkışlarında HD video girişini görüntülemek istediğinizde, aşağı dönüşüm modu 'ON' olarak ayarlanmalıdır. Komponent analog video; hem HD hem de SD videoyu destekler.

### Anahtar 4 - SDI Ses Ayırıştırma Bit 2

4, 3 ve 2 numaralı anahtarlar, 8 adet AÇIK/KAPALI (ON/OFF) kombinasyon sunmak üzere bir arada gruplandırılmıştır. Sekiz farklı kombinasyonun olması; SDI girişinizden sekiz bağımsız ses kanal çiftinin ayrıştırılmasına olanak verir.

### Anahtar 3 - SDI Ses Ayırıştırma Bit 1

4. anahtarın tanımına bakın.

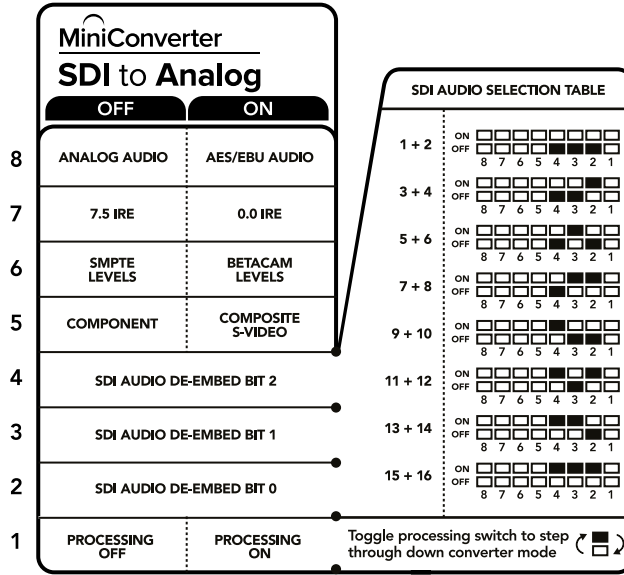
### Anahtar 2 - SDI Ses Ayırıştırma Bit 0

4. anahtarın tanımına bakın.

### Anahtar 1 - Processing Off (İşlem Kapalı) - Processing On (İşlem Açık)

1. anahtarın ayarları içinde ilerleyerek HD'yi SD'ye 3 farklı görüntü oranıyla aşağı dönüştürün. Örneğin, Off ve On ayarları arasında her ilerlediğinizde; anamorfik, center cut veya letterbox görüntü oranlarından birini uygularsınız. Anahtar 1'i OFF ayarında bırakmak, aşağı çeviriciyi atlar ve HD'de çıkış sağlar.

Blackmagic Converters Setup eklentisine USB üzerinden bağlandığınızda, aşağı dönüşüm ayarlarınız yazılım tarafından kontrol edilir. Yazılım ayarlarının çevirici tarafından hatırlanmasını isterseniz, bilgisayarla bağlantıyı kesin, çeviriciyi yeniden çalıştırın ve anahtar 1'i kullanarak aşağı dönüşüm seçiminizi ayarlayın.



Çeviricinizin altındaki anahtar açıklamaları, dönüşüm ayarlarını değiştirmeniz için ihtiyacınız olan tüm bilgileri sunar.

### Mini Anahtar Ayarları Örneği

8, 5, 4, 3 ve 2 numaralı anahtarları OFF (kapalı) konumuna getirip, Blackmagic Mini Converter'inizi, yüksek tanımlı komponent video ve 1 ile 2 numaralı analog ses kanallarını çıkarması için ayarlayarak, anahtarlarla denemeler yapabilirsiniz.

## SDI Ses Seçim Tablosu

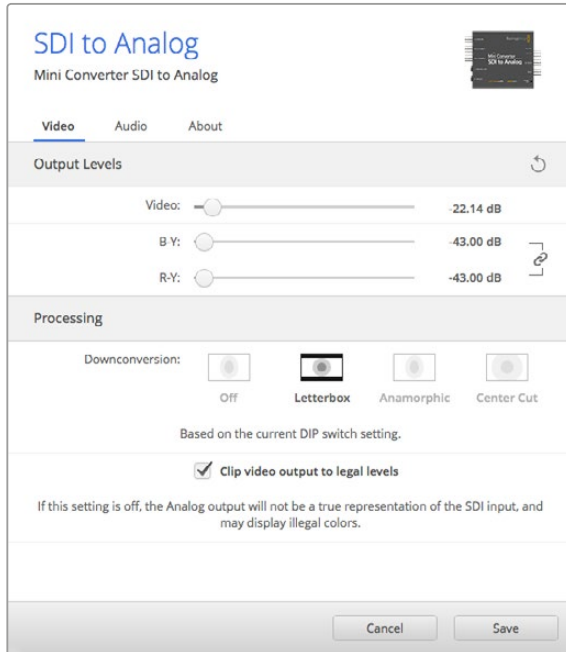
Ses Kanalları	Anahtar 4	Anahtar 3	Anahtar 2	Anahtar (Switch) Şeması
1 ve 2	KAPALI	KAPALI	KAPALI	
3 ve 4	KAPALI	KAPALI	AÇIK	
5 ve 6	KAPALI	AÇIK	KAPALI	
7 ve 8	KAPALI	AÇIK	AÇIK	
9 ve 10	AÇIK	KAPALI	KAPALI	
11 ve 12	AÇIK	KAPALI	AÇIK	
13 ve 14	AÇIK	AÇIK	KAPALI	
15 ve 16	AÇIK	AÇIK	AÇIK	

## Blackmagic Converters Setup Ayarları

Converters Setup yardımcı yazılımı, ayarları değiştirmek ve Mini Converter cihazınızın yazılımını güncellemek için kullanılabilir. Bu ayarlara; 'video', 'ses' (audio) ve 'hakkında' (about) sekmeleri arasında hareket ederek erişebilirsiniz.

'Hakkında' sekmesine ilişkin açıklayıcı bilgi, bu kılavuzun 'ayarların değiştirilmesi' bölümünde bulunur.

Mini Converter SDI to Analog için 'video' sekmesi, aşağıdaki ayarları içerir.



Analog video seviyelerini ve işleme ayarlarını değiştirmek için, Converters Setup eklentisindeki 'video' sekmesini kullanın.

## İşlem menüsü

Bu menü, aşağı dönüştürülmüş videonun görüntü oranını ayarlamanızı sağlar. Letterbox, anamorfik, center cut veya işlemsiz (no processing) seçenekleri arasından tercih yapabilirsiniz.

'Video çıkışını geçerli seviyelere kırp' onay kutusu, SDI girişinizin kırılma işlemini kontrol ederek HDMI geçerli seviye sınırları içinde kalmasını sağlar. Bu nedenle, varsayılan ayar olarak etkin bırakılmalıdır.

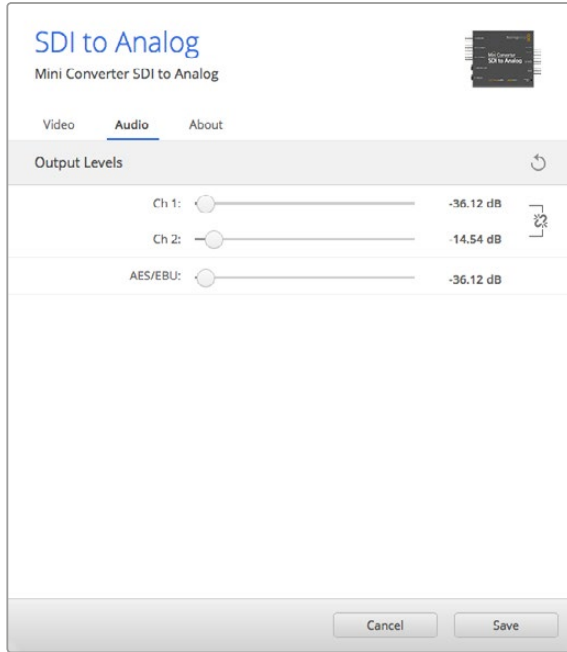
## Çıkış Seviyeleri menüsü

Bu menü; parlaklık ve chroma seviyelerini ve B-Y ile R-Y komponent seviyelerini, birbirinden bağımsız olarak ayarlamanıza olanak verir.

Mini Converter SDI to Analog için 'ses' sekmesi, aşağıdaki ayarları içerir.

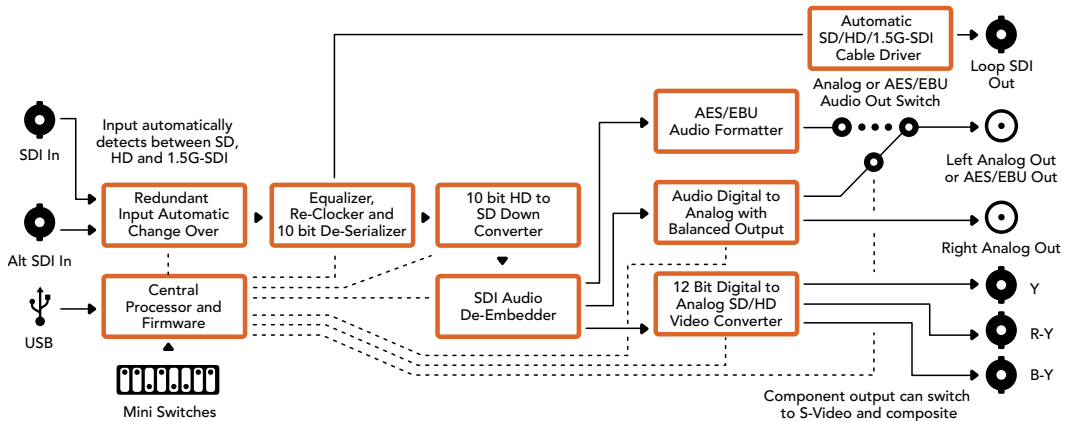
## Çıkış Seviyeleri menüsü

Bu menü, ses çıkışındaki kazanç (gain) değerini ayarlamanızı sağlar. Ses seviyelerini, her kanal için bağımsız olarak veya kanal sürgülerinin yanındaki 'link' ikonunu tıklayarak hepsini birlikte düzeltebilirsiniz. Tüm ses seviyelerini 0 dB'ye sıfırlamak için, 'çıkış seviyeleri' menüsünün üst kısmındaki 'reset' (sıfırla) butonunu tıklayın.



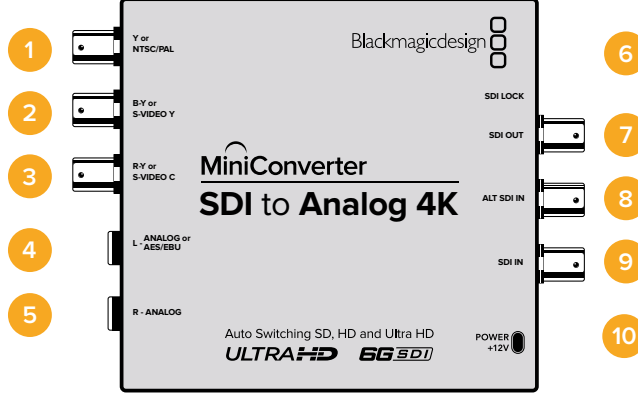
Analog ses seviyelerini düzeltmek için Converters Setup eklentisindeki 'audio' (ses) sekmesini kullanın.

## Mini Converter SDI to Analog Blok Şeması



## Mini Converter SDI to Analog 4K

Mini Converter SDI to Analog 4K ve SDI to Analog 4K Heavy Duty modelleri; SD/HD/3G/6G-SDI formatlarından analog komponent, NTSC ve PAL video çıkışının yanı sıra, dengeli AES/EBU ve analog ses çıkışına dönüşüm yapar. Bu aşağı çevirici; 6G-SDI'ya kadar olan videoyu SD veya HD analog ekipmana bağlamanıza olanak sağlar ve Betacam SP ile VHS gibi deck'lere ve video monitörlerine kolayca bağlanır. Hatta, 16 adet ayrıştırılmış SDI ses kanalından, analog ses çiftlerini bile çıkarabilirsiniz.



### Konektörler

- 1 Y veya NTSC/PAL**  
Analog komponent Y veya kompozit NTSC/PAL çıkış BNC konektörü.
- 2 B-Y veya S-VIDEO Y**  
Analog komponent B-Y veya S-Video Y çıkış BNC konektörü.
- 3 R-Y veya S-VIDEO C**  
Analog komponent R-Y veya S-Video C çıkış BNC konektörü.
- 4 L (Sol) – ANALOG veya AES/EBU**  
Dengeli sol kanal analog ses veya AES/EBU dijital ses çıkış 1/4" jak konektörü.
- 5 R (Sağ) - ANALOG**  
Dengeli sağ kanal analog ses çıkışı 1/4" jak konektörü.
- 6 MINI-B USB PORT**  
Mac OS X veya Windows bilgisayarınız üzerinden, Converters Setup yazılımına bağlanır. Mini Converter'in dahili yazılımı da USB portu kullanılarak güncellenir.
- 7 SDI ÇIKIŞI**  
SDI video çıkışı BNC konektörü.
- 8 ALT SDI GİRİŞİ**  
Yedek SDI girişi, opsiyonel bir yedek olarak sunulur.
- 9 SDI GİRİŞİ**  
Ana SDI girişi.
- 10 GÜÇ +12V**  
12 volt güç kaynağı girişi.

## Anahtarlar

**BİLGİ** Mini Converter Heavy Duty modelinde, anahtarlar bir lastik toz kapağı ile korunur. Anahtarlara ulaşmak için kapağı kaldırmanız yeterlidir.

Mini Converter SDI to Analog 4K'nın anahtarları, aşağıdaki ayarları sunar:

### **Anahtar 8 - Analog Ses, AES/EBU Ses**

Dengeli analog ses seçeneği için, 8 numaralı anahtarı 'OFF' (kapalı) veya dijital AES/EBU ses çıkışı için 'ON' (açık) olarak ayarlayın.

### **Anahtar 7 - 7.5 IRE - 0.0 IRE**

ABD ve 7.5 setup (siyah seviyesi) ile NTSC kullanan ülkeler, 7. anahtarı 'OFF' olarak ayarlamalıdır. 7.5 setup kullanmayan ülkelerde çalışıyorsanız, 7. anahtarı 'ON' olarak ayarlayın. Bu ayar, yalnızca kompozit veya S-Video çıkışlarını etkiler.

### **Anahtar 6 - SMPTE Seviyeleri - Betacam Seviyeleri**

SMPTE seviyeleri için 6. anahtarı 'OFF' olarak veya Betacam seviyeleri için 'ON' olarak ayarlayın. SMPTE seviyeleri daha yaygındır ve Betacam SP deck'leri bile SMPTE seviyelerini kullanabilir. Bu yüzden, yalnızca Betacam seviyelerinin kullanıldığından emin olduğunuz durumlarda, bunu Betacam olarak ayarlayınız.

### **Anahtar 5 - Komponent, Kompozit veya S-Video.**

5. anahtarı, analog komponent video çıkışı için 'OFF' olarak veya kompozit ya da S-Video çıkışları için 'ON' olarak ayarlayın.

S-Video ve kompozit çıkışlarında, HD video girişini SD olarak görüntülemek istediğinizde, aşağı dönüşüm modu 'ON' olarak ayarlanmalıdır. Komponent analog video; hem HD hem de SD videoyu destekler.

### **Anahtar 4, 3 ve 2 - SDI Ses Ayırıştırma**

4, 3 ve 2 numaralı anahtarlar, 8 adet AÇIK/KAPALI (ON/OFF) kombinasyon sunmak üzere bir arada gruplandırılmıştır. Sekiz farklı kombinasyonun olması; SDI girişinizden sekiz bağımsız ses kanal çiftinin ayırıştırılmasına olanak verir.

### **Anahtar 1 - Processing Off (İşlem Kapalı) - Processing On (İşlem Açık)**

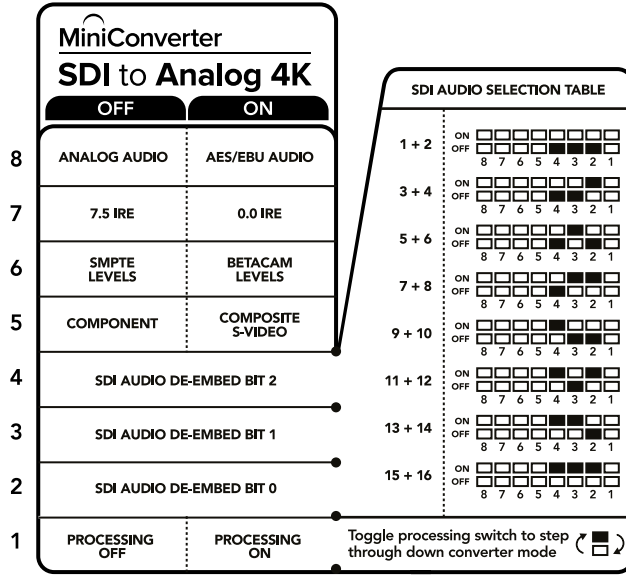
1. anahtarın ayarları içinde ilerleyerek, 3 farklı görüntü oranıyla aşağı dönüşüm. OFF ve ON ayarları arasında her ilerlediğinizde; anamorfik, center cut veya letterbox görüntü oranlarından birini uygularsınız.

HD ve Ultra HD girişin her ikisi için, komponent çıkışları üzerinden HD analog çıkarmak için anahtarı OFF olarak ayarlayın.

Anahtarı ON olarak ayarladığınızda, diğer anahtar ayarlarına bağlı olarak Ultra HD girişi, analog PAL/NTSC veya HD komponente aşağı dönüşüm yapar. Komponent HD çıkışında 4K DCI kırılacaktır.

Anahtarın ON olarak ayarlanmasıyla HD girişi, diğer anahtar ayarlarına bağlı olarak analog PAL/NTSC veya komponente aşağı dönüştürülecektir.

Blackmagic Converters Setup eklentisine USB üzerinden bağlandığınızda, aşağı dönüşüm ayarlarınız yazılım tarafından kontrol edilir. Yazılım ayarlarının çevirici tarafından hatırlanmasını isterseniz, bilgisayarla bağlantıyı kesin, çeviriciyi yeniden çalıştırın ve anahtar 1'i kullanarak aşağı dönüşüm seçiminizi ayarlayın.



Çeviricinizin altındaki anahtar açıklamaları, dönüştürme ayarlarını değiştirmeniz için ihtiyacınız olan tüm bilgileri sunar.

### Mini Anahtar Ayarları Örneği:

8, 5, 4, 3 ve 2 numaralı anahtarları OFF (kapalı) konumuna getirip, Blackmagic Mini Converter'inizi, yüksek tanımlı komponent video ve 1 ile 2 numaralı analog ses kanallarını çıkarması için ayarlayarak, anahtarlarla denemeler yapabilirsiniz.

### Ses Seçim Tablosu

Ses Kanalları	Anahtar 4	Anahtar 3	Anahtar 2	Anahtar (Switch) Şeması
1 ve 2	KAPALI	KAPALI	KAPALI	ON OFF <input type="checkbox"/> <input type="checkbox"/> <input type="checkbox"/> <input type="checkbox"/> <input type="checkbox"/> <input type="checkbox"/> <input type="checkbox"/> <input type="checkbox"/> 8 7 6 5 4 3 2 1
3 ve 4	KAPALI	KAPALI	AÇIK	ON OFF <input type="checkbox"/> <input type="checkbox"/> <input type="checkbox"/> <input type="checkbox"/> <input type="checkbox"/> <input type="checkbox"/> <input checked="" type="checkbox"/> <input checked="" type="checkbox"/> 8 7 6 5 4 3 2 1
5 ve 6	KAPALI	AÇIK	KAPALI	ON OFF <input type="checkbox"/> <input type="checkbox"/> <input type="checkbox"/> <input type="checkbox"/> <input checked="" type="checkbox"/> <input checked="" type="checkbox"/> <input type="checkbox"/> <input type="checkbox"/> 8 7 6 5 4 3 2 1
7 ve 8	KAPALI	AÇIK	AÇIK	ON OFF <input type="checkbox"/> <input type="checkbox"/> <input type="checkbox"/> <input type="checkbox"/> <input checked="" type="checkbox"/> <input checked="" type="checkbox"/> <input checked="" type="checkbox"/> <input checked="" type="checkbox"/> 8 7 6 5 4 3 2 1
9 ve 10	AÇIK	KAPALI	KAPALI	ON OFF <input type="checkbox"/> <input type="checkbox"/> <input type="checkbox"/> <input checked="" type="checkbox"/> <input type="checkbox"/> <input type="checkbox"/> <input type="checkbox"/> <input type="checkbox"/> 8 7 6 5 4 3 2 1
11 ve 12	AÇIK	KAPALI	AÇIK	ON OFF <input type="checkbox"/> <input type="checkbox"/> <input type="checkbox"/> <input checked="" type="checkbox"/> <input checked="" type="checkbox"/> <input checked="" type="checkbox"/> <input checked="" type="checkbox"/> 8 7 6 5 4 3 2 1
13 ve 14	AÇIK	AÇIK	KAPALI	ON OFF <input type="checkbox"/> <input type="checkbox"/> <input type="checkbox"/> <input checked="" type="checkbox"/> <input checked="" type="checkbox"/> <input checked="" type="checkbox"/> <input type="checkbox"/> 8 7 6 5 4 3 2 1
15 ve 16	AÇIK	AÇIK	AÇIK	ON OFF <input type="checkbox"/> <input type="checkbox"/> <input type="checkbox"/> <input checked="" type="checkbox"/> <input checked="" type="checkbox"/> <input checked="" type="checkbox"/> <input checked="" type="checkbox"/> 8 7 6 5 4 3 2 1



## Blackmagic Converters Setup Ayarları

Converters Setup yardımcı yazılımı, ayarları değiştirmek ve Mini Converter cihazınızın yazılımını güncellemek için kullanılabilir. Bu ayarlara; 'video', 'ses' (audio) ve 'hakkında' (about) sekmeleri arasında hareket ederek erişebilirsiniz.

'Hakkında' sekmesine ilişkin açıklayıcı bilgi, bu kılavuzun 'ayarların değiştirilmesi' bölümünde bulunur.

Mini Converter SDI to Analog 4K için 'video' sekmesi, aşağıdaki ayarları içerir.

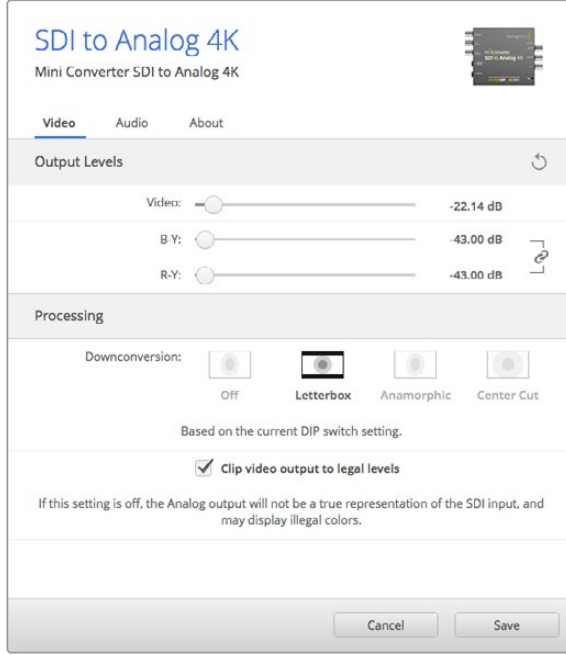
### Çıkış Seviyeleri menüsü

Bu menü; parlaklık ve chroma seviyelerini ve B-Y ile R-Y komponent seviyelerini, birbirinden bağımsız olarak ayarlamanıza olanak verir.

### İşlem menüsü

Bu menü, aşağı dönüştürülmüş videonun görüntü oranını ayarlamanızı sağlar. Letterbox, anamorfik, center cut veya işlemsiz (no processing) seçenekleri arasından tercih yapabilirsiniz.

'Video çıkışını geçerli seviyelere kırp' onay kutusu, SDI girişinizin kırılma işlemi kontrol ederek HDMI geçerli seviye sınırları içinde kalmasını sağlar. Bu nedenle, varsayılan ayar olarak etkin bırakılmalıdır.

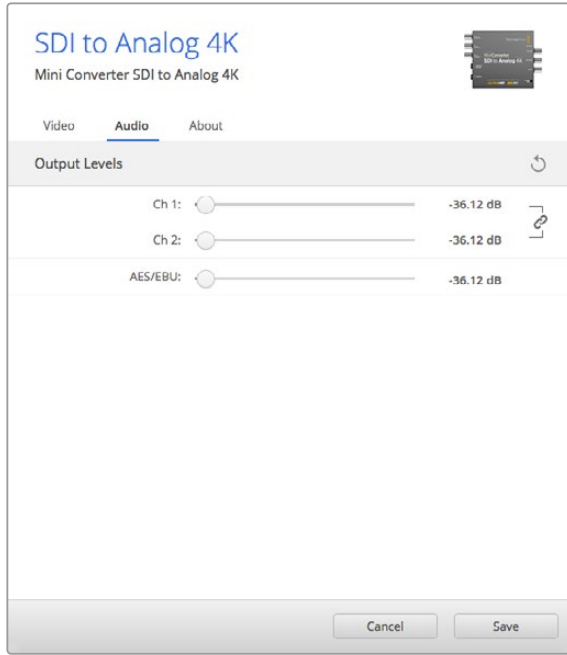


Analog video seviyelerini ve işlem ayarlarını değiştirmek için, Converters Setup eklentisindeki 'video' sekmesini kullanın.

Mini Converter SDI to Analog 4K için 'ses' sekmesi, aşağıdaki ayarları içerir.

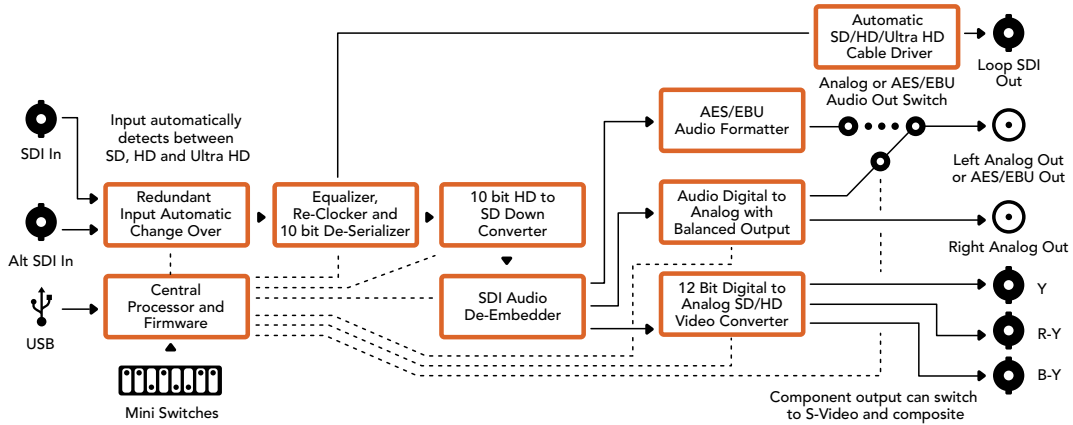
### Çıkış Seviyeleri menüsü

Bu menü, ses girişindeki kazanç (gain) değerini ayarlamanızı sağlar. Ses seviyelerini, her kanal için bağımsız olarak veya kanal sürgülerinin yanındaki 'link' ikonunu tıklayarak hepsini birlikte düzeltebilirsiniz. Tüm ses seviyelerini 0 dB'ye sıfırlamak için, 'çıkış seviyeleri' menüsünün üst kısmındaki 'reset' (sıfırla) butonunu tıklayın.



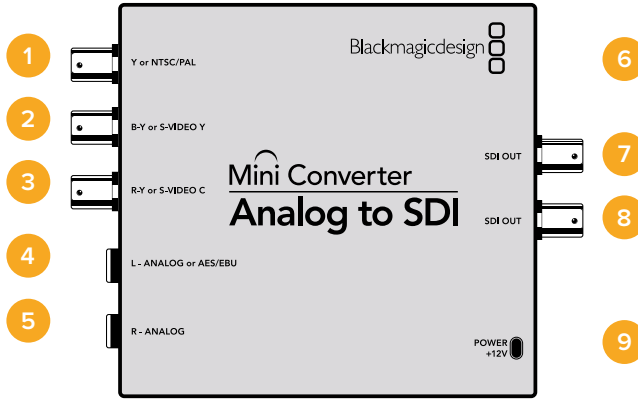
Analog ses seviyelerini düzeltmek için Converters Setup eklentisindeki 'audio' (ses) sekmesini kullanın.

### Mini Converter SDI to Analog 4K Blok Şeması



### Mini Converter Analog to SDI

Mini Converter Analog to SDI ve Analog to SDI Heavy Duty modelleriyle; Betacam SP deck, HDV kamera ve oyun konsolları gibi analog ekipmanlardan gelen videoyu ve sesi; SD/HD-SDI videoya dönüştürebilirsiniz. Aralarında komponent SD/HD, S-Video veya kompozit NTSC ve PAL olmak üzere, çeşitli analog ve dijital formatlar desteklenir. Çeviricinin HD-SDI çıkışları, dijital AES/EBU veya analog ses gömme seçeneğini sunar.



## Konektörler

- 1 Y veya NTSC/PAL**  
Analog komponent Y veya kompozit NTSC/PAL çıkış BNC konektörü.
- 2 B-Y veya S-VIDEO Y**  
Analog komponent B-Y veya S-Video Y giriş BNC konektörü.
- 3 R-Y veya S-VIDEO C**  
Analog komponent R-Y veya S-Video C giriş BNC konektörü.
- 4 L (Sol) – ANALOG veya AES/EBU**  
Dengeli sol kanal analog ses veya AES/EBU dijital ses girişi 1/4" jak konektörü.
- 5 R (Sağ) - ANALOG**  
Dengeli sağ kanal analog ses girişi 1/4" jak konektörü.
- 6 MINI-B USB PORT**  
Mac OS X veya Windows bilgisayarınız üzerinden, Converters Setup yazılımına bağlanır. Mini Converter'in dahili yazılımı da USB portu kullanılarak güncellenir.
- 7 SDI ÇIKIŞI**  
SDI video çıkışı BNC konektörü.
- 8 SDI ÇIKIŞI**  
İkinci SDI çıkışı.
- 9 GÜÇ +12V**  
12 volt güç kaynağı girişi.

## Anahtarlar

**BİLGİ** Mini Converter Heavy Duty modelinde, anahtarlar bir lastik toz kapağı ile korunur. Anahtarlara ulaşmak için kapağı kaldırmamız yeterlidir.

Mini Converter Analog to SDI'nin anahtarları, aşağıdaki ayarları sunar:

### Anahtar 8 - Analog Ses, AES/EBU Ses

Dengeli analog ses seçeneği için 8 numaralı anahtar 'OFF' (kapalı) veya dijital AES/EBU ses girişi için 'ON' (açık) olarak ayarlayın.

### Anahtar 7 - 7.5 IRE - 0.0 IRE

ABD ve 7.5 setup (siyah seviyesi) ile NTSC kullanan ülkeler, 7. anahtarı 'OFF' olarak ayarlamalıdır. Örneğin, Japonya gibi, 7.5 setup kullanmayan ülkelerde çalışıyorsanız, 7. anahtarı 'ON' olarak ayarlayın. Bu ayar, yalnızca kompozit veya S-Video çıkışlarını etkiler.

### Anahtar 6 - SMPTE Seviyeleri - Betacam Seviyeleri

Bu ayar, SMPTE veya Betacam video seviyeleri arasında seçim yapar. SMPTE seviyeleri için 6. anahtarı 'OFF' olarak veya Betacam seviyeleri için 'ON' olarak ayarlayın. SMPTE seviyeleri daha yaygındır ve Betacam SP deck'leri bile SMPTE seviyelerini kullanabilmektedir. Bu sebeple, bunu sadece Betacam seviyelerinin kullanıldığından emin olduğunuz durumlarda Betacam moduna ayarlayınız.

### Anahtar 5 - Component, Composite veya S-Video.

5. anahtarı, analog komponent video girişini seçmek için OFF olarak veya kompozit video ve S-Video analog girişleri için de ON olarak ayarlayın.

Mini Converter Analog to SDI		
OFF ON		
8	ANALOG AUDIO	AES/EBU AUDIO
7	7.5 IRE	0.0 IRE
6	SMPTE LEVELS	BETACAM LEVELS
5	COMPONENT	COMPOSITE or S-VIDEO
4	COMPOSITE	S-VIDEO
3		
2		
1	PROCESSING OFF	PROCESSING ON

Çeviricinizin altındaki anahtar açıklamaları, dönüştürme ayarlarını değiştirmeniz için ihtiyacınız olan tüm bilgileri sunar.

### Anahtar 4 - Kompozit - S-Video

4. anahtarı, kompozit video girişini seçmek için OFF olarak veya S-Video girişi için de ON olarak ayarlayın.

### Anahtar 1 - Processing Off (İşlem Kapalı) - Processing On (İşlem Açık)

Bu anahtar kullanılmıyor.

### Mini Anahtar Ayarları Örneği

8 ve 5 numaralı anahtarları OFF (kapalı) konumuna getirip, Blackmagic Mini Converter'inizi, Komponent ve Analog Ses girişine ayarlayarak, anahtarlarla denemeler yapabilirsiniz.

## Blackmagic Converters Setup Ayarları

Converters Setup yardımcı yazılımı, ayarları değiştirmek ve Mini Converter cihazınızın yazılımını güncellemek için kullanılabilir. Bu ayarlara; 'video', 'ses' (audio) ve 'hakkında' (about) sekmeleri arasında hareket ederek erişebilirsiniz.

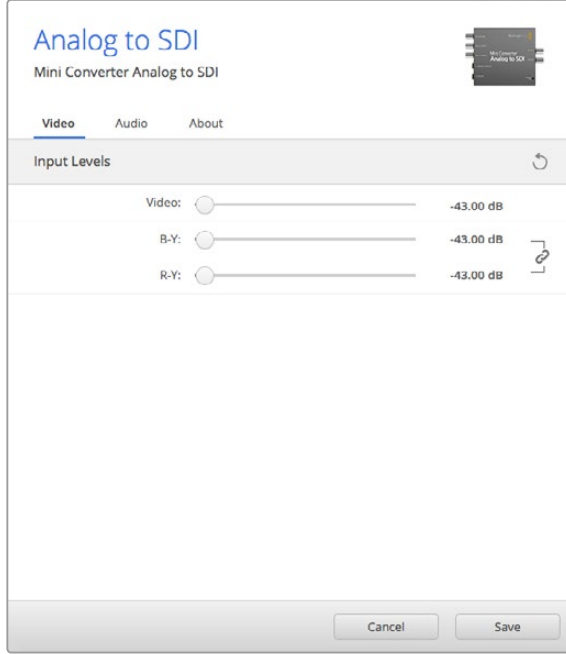
'Hakkında' sekmesine ilişkin açıklayıcı bilgi, bu kılavuzun 'ayarların değiştirilmesi' bölümünde bulunur.

Mini Converter Analog to SDI için 'video' sekmesi, aşağıdaki ayarları içerir.

### Giriş Seviyeleri menüsü

Bu menü; parlaklık ve chroma seviyelerini ve B-Y ile R-Y komponent seviyelerini, birbirinden bağımsız olarak ayarlamanıza olanak verir.

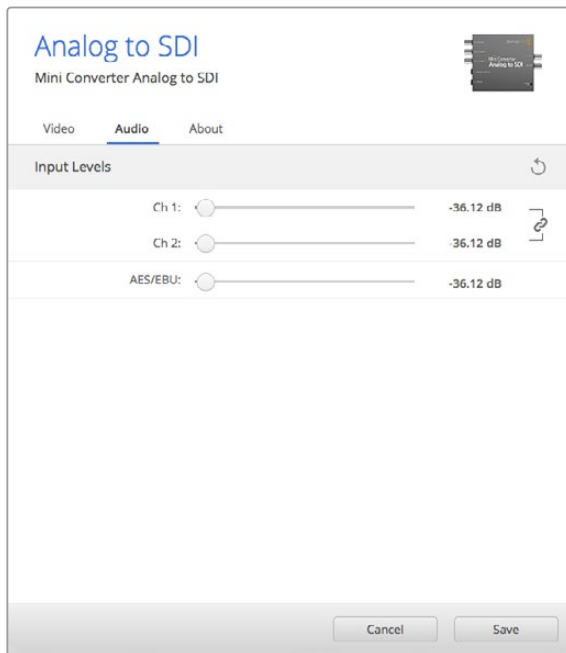
Mini Converter Analog to SDI için 'ses' sekmesi, aşağıdaki ayarları içerir.



Video seviyelerini düzeltmek için Converters Setup eklentisindeki 'video' sekmesini kullanın.

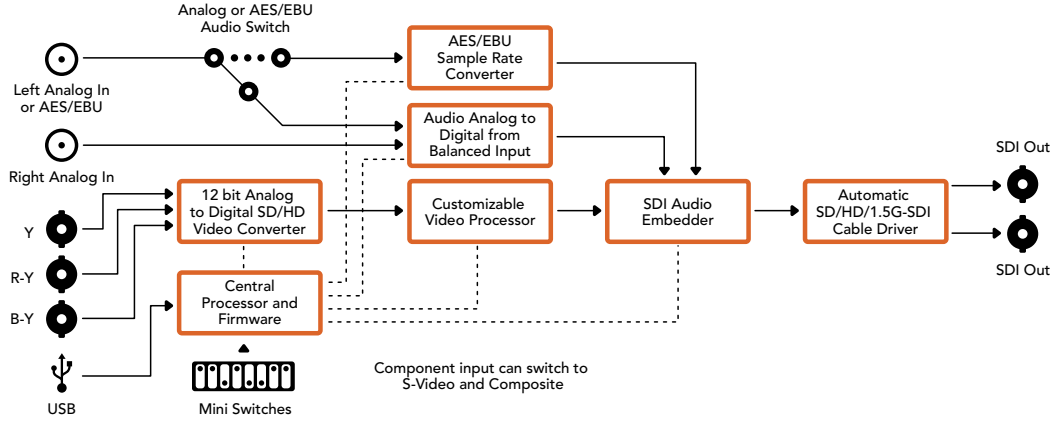
### Giriş Seviyeleri menüsü

Bu menü, ses girişindeki kazanç (gain) değerini ayarlamanızı sağlar. Ses seviyelerini, her kanal için bağımsız olarak veya kanal sürgülerinin yanındaki 'link' ikonunu tıklayarak hepsini birlikte düzeltebilirsiniz. Tüm ses seviyelerini 0 dB'ye sıfırlamak için, 'giriş seviyeleri' menüsünün üst kısmındaki 'reset' (sıfırla) butonunu tıklayın.



Analog ses seviyelerini düzeltmek için Converters Setup eklentisindeki 'audio' (ses) sekmesini kullanın.

## Mini Converter Analog to SDI Blok Şeması



## Mini Converter SDI to Audio

Mini Converter SDI to Audio cihazı, herhangi bir SDI video bağlantısından 4 ses kanalını ayrıştırabilir ve 4 adet analog ses kanalına veya 8 adet AES/EBU dijital ses kanalına çıkarabilir. Ses mikserleri, analog deck ve referans monitörleri gibi ses ekipmanına ses çıkışı sağlayın. Çeviricinizin SDI çıkışına, ek bir Mini Converter SDI to Audio cihazı zincirleme bağlanarak, ilave SDI ses kanalları ayrıştırılabilir.



## Konektörler

- 1 KANAL 1 ANALOG veya KANAL 1 & 2 AES/EBU**  
Dengeli analog ses kanalı 1 veya AES/EBU dijital ses kanalları 1 ve 2 çıkışı 1/4" jak konektörü.
- 2 KANAL 2 ANALOG veya KANAL 3 & 4 AES/EBU**  
Dengeli analog ses kanalı 2 veya AES/EBU dijital ses kanalları 3 ve 4 çıkışı 1/4" jak konektörü.
- 3 KANAL 3 ANALOG veya KANAL 5 & 6 AES/EBU**  
Dengeli analog ses kanalı 3 veya AES/EBU dijital ses kanalları 5 ve 6 çıkışı 1/4" jak konektörü.
- 4 KANAL 4 ANALOG veya KANAL 7 & 8 AES/EBU**  
Dengeli analog ses kanalı 4 veya AES/EBU dijital ses kanalları 7 ve 8 çıkışı 1/4" jak konektörü.

## 5 MINI-B USB PORT

Mac OS X veya Windows bilgisayarınız üzerinden, Converters Setup yazılımına bağlanır. Mini Converter'in dahili yazılımı da USB portu kullanılarak güncellenir.

## 6 SDI ÇIKIŞI

Düz geçiş SDI video çıkışı BNC konektörü.

## 7 ALT SDI GİRİŞİ

Yedek bir SDI girişi, opsiyonel bir yedek olarak sunulur. SDI GİRİŞ VE ALT SDI GİRİŞ'in her ikisini kullanırken, SDI GİRİŞ sinyalinin kesilmesi durumunda ALT SDI GİRİŞİ devreye girer. SDI LOCK LED (SDI Kilit LED'i) yanıp sönerek, çevircinin ALT SDI GİRİŞ'e geçiş yaptığını belirtir.

## 8 SDI GİRİŞİ

Ana SDI girişi.d

## 9 GÜÇ +12V

12 volt güç kaynağı girişi.

## Anahtarlar

Mini Converter SDI to Audio'nun anahtarları, aşağıdaki ayarları sunar:

### Anahtar 8 - Analog Ses, AES/EBU Ses

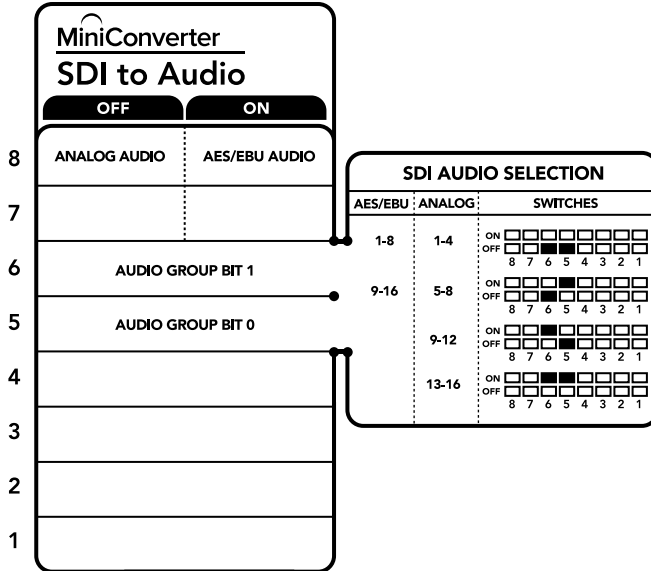
Dengeli analog ses seçeneği için, 8 numaralı anahtarı 'OFF' (kapalı) veya dijital AES/EBU ses çıkışı için 'ON' (açık) olarak ayarlayın.

### Anahtar 6 - Ses Grubu Bit 1

6 ve 5 numaralı anahtarlar, dört adet AÇIK/KAPALI (ON/OFF) kombinasyonu sunmak üzere bir arada gruplandırılmıştır. Bu; SDI girişinizden, 4 adede kadar dördüz analog ses kanalının veya 8 adet AES/EBU ses kanalının 2 setinin ayrıştırılmasına olanak verir.

### Anahtar 5 - Ses Grubu Bit 0

6. anahtarın tanımına bakın.



Çevircinizin altındaki anahtar açıklamaları, dönüşüm ayarlarını değiştirmeniz için ihtiyacınız olan tüm bilgileri sunar.

### Mini Anahtar Ayarları Örneği

Bu anahtarlarla denemeler yapın. 8, 6 ve 5 numaralı anahtarları OFF konumuna getirerek, 1 ile 4 arasında analog ses kanalını seçin.

## Ses Seçim Tabloları

Analog Ses Kanalları	Anahtar 6	Anahtar 5	Anahtar (Switch) Şeması
1 ila 4	KAPALI	KAPALI	
5 ila 8	KAPALI	AÇIK	
9 ila 12	AÇIK	KAPALI	
13 ila 16	AÇIK	AÇIK	

AES/EBU Kanalları	Anahtar 6	Anahtar 5	Anahtar (Switch) Şeması
1 ila 8	KAPALI	KAPALI	
9 ila 16	KAPALI	AÇIK	

## Blackmagic Converters Setup Ayarları

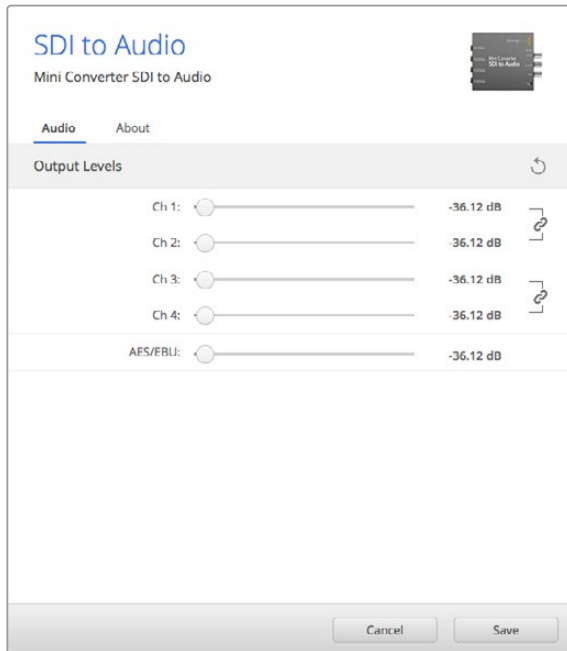
Converters Setup yardımcı yazılımı, ayarları değiştirmek ve Mini Converter cihazınızın yazılımını güncellemek için kullanılabilir. Bu ayarlara; 'ses' (audio) ve 'hakkında' (about) sekmeleri arasında hareket ederek erişebilirsiniz.

'Hakkında' sekmesine ilişkin açıklayıcı bilgi, bu kılavuzun 'ayarların değiştirilmesi' bölümünde bulunur.

Mini Converter SDI to Audio için 'ses' sekmesi, aşağıdaki ayarları içerir.

### Çıkış Seviyeleri menüsü

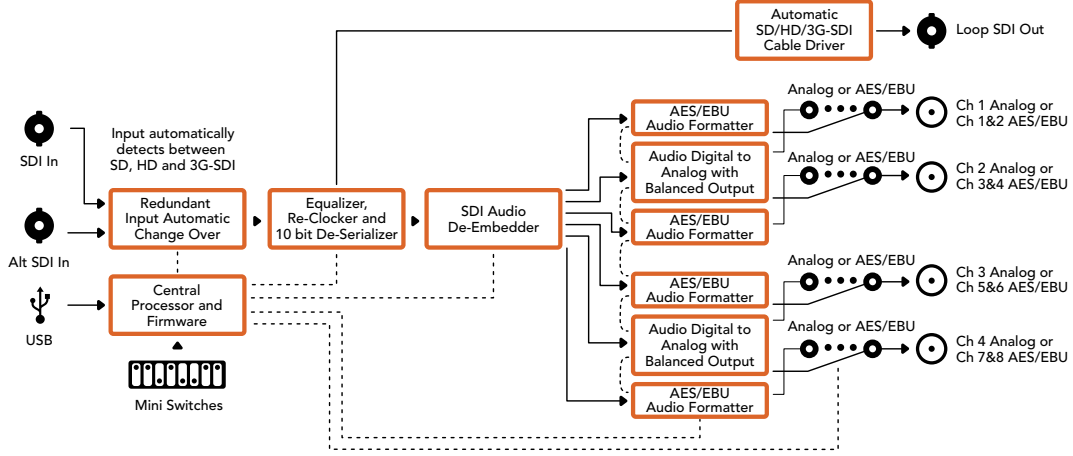
Bu menü, ses çıkışındaki kazanç (gain) değerini ayarlamanızı sağlar. Ses seviyelerini her kanal için bağımsız olarak veya sürgülerinin yanındaki 'link' ikonunu tıklayarak, kanal çiftleri olarak birlikte düzeltebilirsiniz. Tüm ses seviyelerini 0 dB'ye sıfırlamak için, 'çıkış seviyeleri' menüsünün üst kısmındaki 'reset' (sıfırla) butonunu tıklayın.



Ses seviyelerini düzeltmek için Converters Setup eklentisindeki 'audio' (ses) sekmesini kullanın.



## Mini Converter SDI to Audio Blok Şeması



## Mini Converter SDI to Audio 4K

Mini Converter SDI to Audio 4K cihazı, herhangi bir SDI video bağlantısından 4 ses kanalını ayrıştırabilir ve 4 adet analog ses kanalına veya 8 adet AES/EBU dijital ses kanalına çıkarabilir. Ses mikseri, analog deck ve referans monitörü gibi ses ekipmanlarına, ses çıkışı sağlayın. Çeviricinizin SDI çıkışına, ek bir Mini Converter SDI to Audio 4K cihazı zincirleme bağlanarak, ilave SDI ses kanalları ayrıştırılabilir.



## Konektörler

- 1 KANAL 1 ANALOG veya KANAL 1 & 2 AES/EBU**  
Dengeli analog ses kanalı 1 veya AES/EBU dijital ses kanalları 1 ve 2 çıkışı 1/4" jak konektörü.
- 2 KANAL 2 Analog veya KANAL 3 & 4 AES/EBU**  
Dengeli analog ses kanalı 2 veya AES/EBU dijital ses kanalları 3 ve 4 çıkışı 1/4" jak konektörü.
- 3 KANAL 3 ANALOG veya KANAL 5 & 6 AES/EBU**  
Dengeli analog ses kanalı 3 veya AES/EBU dijital ses kanalları 5 ve 6 çıkışı 1/4" jak konektörü.
- 4 KANAL 4 ANALOG veya KANAL 7 & 8 AES/EBU**  
Dengeli analog ses kanalı 4 veya AES/EBU dijital ses kanalları 7 ve 8 çıkışı 1/4" jak konektörü.

## 5 MINI-B USB PORT

Mac OS X veya Windows bilgisayarınız üzerinden, Converters Setup yazılımına bağlanır. Mini Converter'in dahili yazılımı da USB portu kullanılarak güncellenir.

## 6 SDI ÇIKIŞI

Düz geçiş SDI video çıkışı BNC konektörü.

## 7 ALT SDI GİRİŞİ

Yedek bir SDI girişi, opsiyonel bir yedek olarak sunulur. SDI GİRİŞ VE ALT SDI GİRİŞ'in her ikisini kullanırken, SDI GİRİŞ sinyalinin kesilmesi durumunda ALT SDI GİRİŞİ devreye girer. SDI LOCK LED (SDI Kilit LED'i) yanıp sönerek, çeviricinin ALT SDI GİRİŞ'ine geçiş yaptığını belirtir.

## 8 SDI GİRİŞİ

Ana SDI girişi.

## 9 GÜÇ +12V

12 volt güç kaynağı girişi.

## Anahtarlar

Mini Converter SDI to Audio 4K'nın anahtarları, aşağıdaki ayarları sunar:

### Anahtar 8 - Analog Ses, AES/EBU Ses

Dengeli analog ses seçeneği için, 8 numaralı anahtarı 'OFF' (kapalı) veya dijital AES/EBU ses çıkışı için 'ON' (açık) olarak ayarlayın.

### Anahtar 6 - Ses Grubu Bit 1

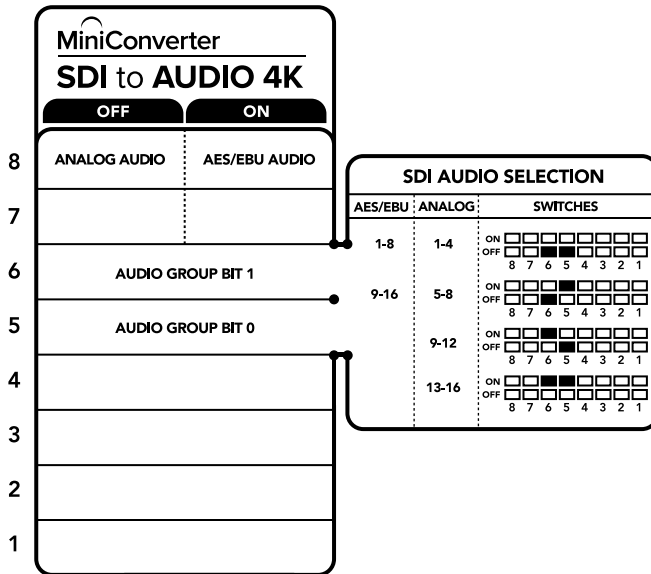
6 ve 5 numaralı anahtarlar, dört adet AÇIK/KAPALI (ON/OFF) kombinasyonu sunmak üzere bir arada gruplandırılmıştır. Bu; SDI girişinizden, 4 adede kadar dördüz analog ses kanalının veya 8 adet AES/EBU ses kanalının 2 setinin ayrıştırılmasına olanak verir.

### Anahtar 5 - Ses Grubu Bit 0

6. anahtarın tanımına bakın.

### Mini Anahtar Ayarları Örneği

Bu anahtarlarla denemeler yapın. 8, 6 ve 5 numaralı anahtarları 'OFF' konumuna getirerek, 1 ila 4 arasında analog ses kanalını seçin.



Çeviricinizin altındaki anahtar açıklamaları, dönüşüm ayarlarını değiştirmeniz için ihtiyacınız olan tüm bilgileri sunar.

## Ses Seçim Tabloları

Analog Ses Kanalları	Anahtar 6	Anahtar 5	Anahtar (Switch) Şeması
1 ila 4	KAPALI	KAPALI	
5 ila 8	KAPALI	AÇIK	
9 ila 12	AÇIK	KAPALI	
13 ila 16	AÇIK	AÇIK	

AES/EBU Kanalları	Anahtar 6	Anahtar 5	Anahtar (Switch) Şeması
1 ila 8	KAPALI	KAPALI	
9 ila 16	KAPALI	AÇIK	

## Blackmagic Converters Setup Ayarları

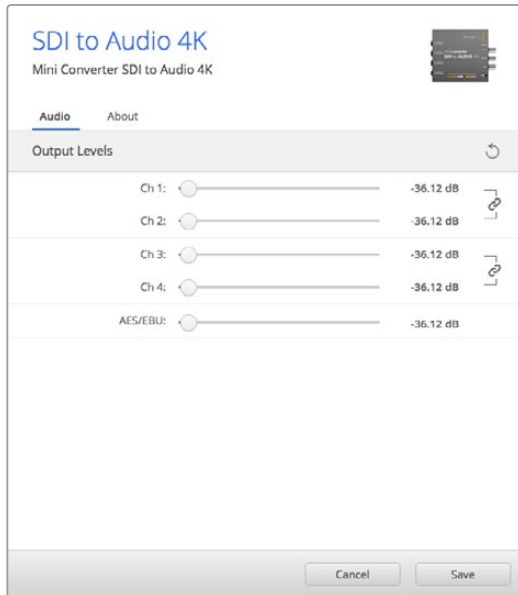
Converters Setup yardımcı yazılımı, ayarları değiştirmek ve Mini Converter cihazınızın yazılımını güncellemek için kullanılabilir. Bu ayarlara; 'ses' (audio) ve 'hakkında' (about) sekmeleri arasında hareket ederek erişebilirsiniz.

'Hakkında' sekmesine ilişkin açıklayıcı bilgi, bu kılavuzun 'ayarların değiştirilmesi' bölümünde bulunur.

Mini Converter SDI to Audio 4K için 'ses' sekmesi, aşağıdaki ayarları içerir.

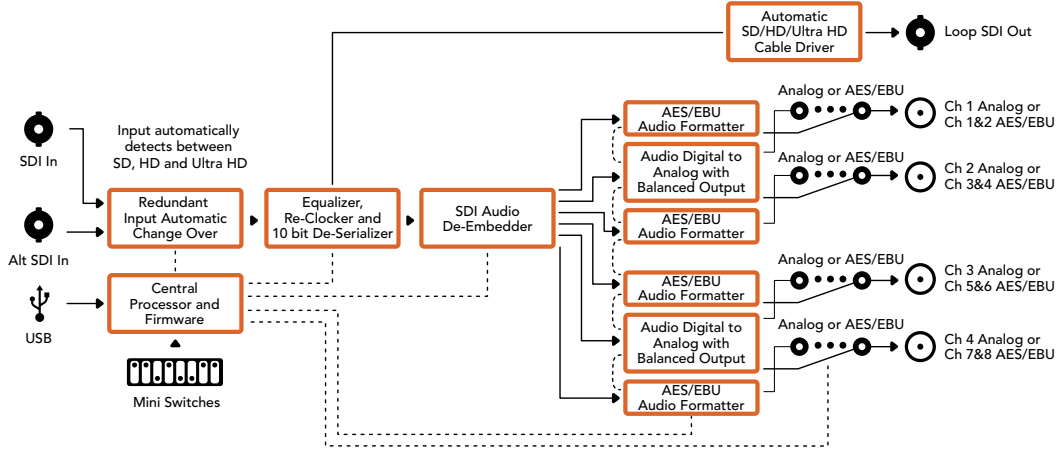
### Çıkış Seviyeleri menüsü

Bu menü, ses çıkışındaki kazanç (gain) değerini ayarlamanızı sağlar. Ses seviyelerini her kanal için bağımsız olarak veya sürgülerinin yanındaki 'link' ikonunu tıklayarak, kanal çiftleri olarak birlikte düzeltebilirsiniz. Tüm ses seviyelerini 0 dB'ye sıfırlamak için, 'çıkış seviyeleri' menüsünün üst kısmındaki 'reset' (sıfırla) butonunu tıklayın.



Analog ses seviyelerini düzeltmek için Converters Setup eklentisindeki 'audio' (ses) sekmesini kullanın.

## Mini Converter SDI to Audio 4K Blok Şeması



## Mini Converter Audio to SDI

Mini Converter Audio to SDI cihazı, herhangi bir SDI video bağlantısına dört kanal analog ses veya sekiz kanal AES/EBU dijital sesi gömebilir. Bu Mini Converter cihazını; SDI yönlendirici ve deck'lerle kullanılmak üzere, ses mikserleri ve analog deck üniteleri gibi ekipmanlardan gelen sesi, SDI video bağlantılarına yerleştirmek için kullanabilirsiniz. Çeviricinizin SDI çıkışına, ek bir Mini Converter Audio to SDI cihazı zincirleme bağlanarak, ilave SDI ses kanalları gömülebilir.



## Konektörler

- 1 KANAL 1 Analog veya KANAL 1 & 2 AES/EBU**  
Dengeli analog ses kanalı 1 veya AES/EBU dijital ses kanalları 1 ve 2 girişi 1/4" jak konektörü.
- 2 KANAL 2 Analog veya KANAL 3 & 4 AES/EBU**  
Dengeli analog ses kanalı 2 veya AES/EBU dijital ses kanalları 3 ve 4 girişi 1/4" jak konektörü.
- 3 KANAL 3 Analog veya KANAL 5 & 6 AES/EBU**  
Dengeli analog ses kanalı 3 veya AES/EBU dijital ses kanalları 5 ve 6 girişi 1/4" jak konektörü.
- 4 KANAL 4 Analog veya KANAL 7 & 8 AES/EBU**  
Dengeli analog ses kanalı 4 veya AES/EBU dijital ses kanalları 7 ve 8 girişi 1/4" jak konektörü.
- 5 Mini-B USB PORT**  
Mac OS X veya Windows bilgisayarınız üzerinden, Converters Setup yazılımına bağlanır. Mini Converter'in dahili yazılımı da USB portu kullanılarak güncellenir.

## 6 SDI ÇIKIŞI

Düz geçiş SDI video çıkışı BNC konektörü.

## 7 ALT SDI GİRİŞİ

Yedek bir SDI girişi, opsiyonel bir yedek olarak sunulur. SDI GİRİŞ VE ALT SDI GİRİŞ'in her ikisini kullanırken, SDI GİRİŞ sinyalinin kesilmesi durumunda ALT SDI GİRİŞİ devreye girer. SDI LOCK LED (SDI Kilit LED'i) yanıp sönerek, çeviricinin ALT SDI GİRİŞ'ine geçiş yaptığını belirtir.

## 8 SDI GİRİŞİ

Ana SDI girişi.

## 9 GÜÇ +12V

12 volt güç kaynağı girişi.

## Anahtarlar

Mini Converter Audio to SDI'nın anahtarları, aşağıdaki ayarları sunar:

### Anahtar 8 - Analog Ses, AES/EBU Ses

Dengeli analog ses seçeneği için 8 numaralı anahtarı 'OFF' (kapalı) veya dijital AES/EBU ses girişi için 'ON' (açık) olarak ayarlayın.

### Anahtar 7 - Örnekleme Hızı Dönüşümlü, Örnekleme Hızı Dönüşümsüz

Örnekleme hızı dönüşümünü etkinleştirmek için, 7. anahtarı OFF olarak veya örnekleme hızı dönüşümünü etkisiz hale getirmek için de ON olarak ayarlayın. Sesin televizyon yayını için doğru örnekleme hızında gömülmesini sağlamak üzere, bu anahtar neredeyse her zaman OFF olarak ayarlanmış olmalıdır.

7. anahtar OFF olarak ayarlı olduğunda bu ayar, analog veya AES/EBU sesin örnekleme hızını dönüştürür ve sesi 48 kHz örnekleme hızıyla SDI çıkışına gömer. 7. anahtar ON olarak ayarlandığında, örnekleme hızı dönüşümü etkisiz hale getirilir ve ses, giriş sesinizin orijinal örnekleme hızında çıkarılır.

### Anahtar 6 - Ses Grubu Bit 1

6 ve 5 numaralı anahtarlar, dört adet AÇIK/KAPALI (ON/OFF) kombinasyonu sunmak üzere bir arada gruplandırılmıştır. Dört farklı kombinasyonun olması; SDI çıkışınıza, dört adede kadar analog ses kanalının veya sekiz adet AES/EBU ses kanalının gömülmesine olanak verir.

### Anahtar 5 - Ses Grubu Bit 0

6. anahtarın tanımına bakın.

### Ses Seçim Tablosu

Analog Ses Kanalları	Anahtar 6	Anahtar 5	Anahtar (Switch) Şeması
1 ila 4	KAPALI	KAPALI	
5 ila 8	KAPALI	AÇIK	
9 ila 12	AÇIK	KAPALI	
13 ila 16	AÇIK	AÇIK	
AES/EBU Kanalları	Anahtar 6	Anahtar 5	Anahtar (Switch) Şeması
1 ila 8	KAPALI	KAPALI	
9 ila 16	KAPALI	AÇIK	

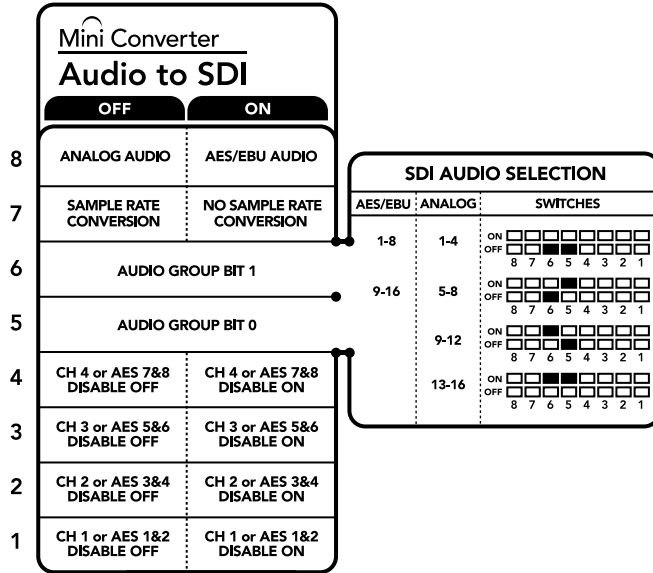
## Kanalların Gömülmesi veya Etkisiz Hale Getirilmesi

Ses kanallarınızı seçtikten sonra, gömmek istediğiniz kanalları seçmek veya etkisiz hale getirmek için 4, 3, 2 ve 1 numaralı anahtarları kullanın. 'Etkisiz hale getirme' ayarı, SDI sinyalinde tutmak istediğiniz ses kanallarının üzerine yazılmasını önlemenizi sağlar.

Örneğin, 1 numaralı anahtarı ON konumuna getirerek, 1. analog ses kanalını veya 1. ve 2. AES/EBU kanallarını etkisiz hale getirebilirsiniz. Bunun yerine, 1. anahtarı OFF konumuna getirerek ses kanallarını gömebilirsiniz.

### Ses Kanalı Ayırıştırma veya Etkisiz Hale Getirme Ayarları

Anahtar	Ayar	Ses Kanalları
4	AÇIK	Analog KANAL 4'ü, AES/EBU KANAL 7 ve 8'i etkisiz hale getir.
	KAPALI	Analog KANAL 4'ü, AES/EBU KANAL 7 ve 8'i göm.
3	AÇIK	Analog KANAL 3'ü, AES/EBU KANAL 5 ve 6'yı etkisiz hale getir.
	KAPALI	Analog KANAL 3'ü, AES/EBU KANAL 5 ve 6'yı göm.
2	AÇIK	Analog KANAL 2'yi, AES/EBU KANAL 3 ve 4'ü etkisiz hale getir.
	KAPALI	Analog KANAL 2'yi, AES/EBU KANAL 3 ve 4'ü göm.
1	AÇIK	Analog KANAL 1'i, AES/EBU KANAL 1 ve 2'yi etkisiz hale getir.
	KAPALI	Analog KANAL 1'i, AES/EBU KANAL 1 ve 2'yi göm.



Çevircinizin altındaki anahtar açıklamaları, dönüşüm ayarlarını değiştirmeniz için ihtiyacınız olan tüm bilgileri sunar.

### Mini Anahtar Ayarları Örneği:

Bu anahtarlarla denemeler yapın. 8, 6 ve 5 numaralı anahtarları 'OFF' konumuna getirerek, 1 ila 4 arasında analog ses kanalını seçin.

## Blackmagic Converters Setup Ayarları

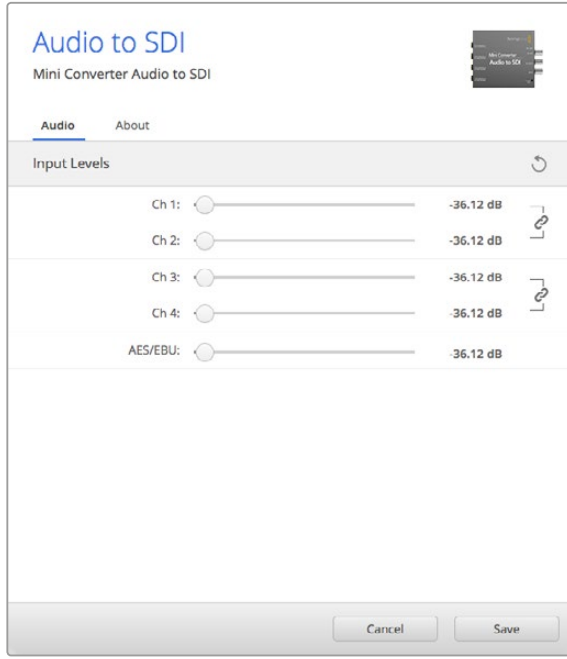
Converters Setup yardımcı yazılımı, ayarları değiştirmek ve Mini Converter cihazınızın yazılımını güncellemek için kullanılabilir. Bu ayarlara; 'ses' (audio) ve 'hakkında' (about) sekmeleri arasında hareket ederek erişebilirsiniz.

'Hakkında' sekmesine ilişkin açıklayıcı bilgi, bu kılavuzun 'ayarların değiştirilmesi' bölümünde bulunur.

Mini Converter Audio to SDI için 'ses' sekmesi, aşağıdaki ayarları içerir.

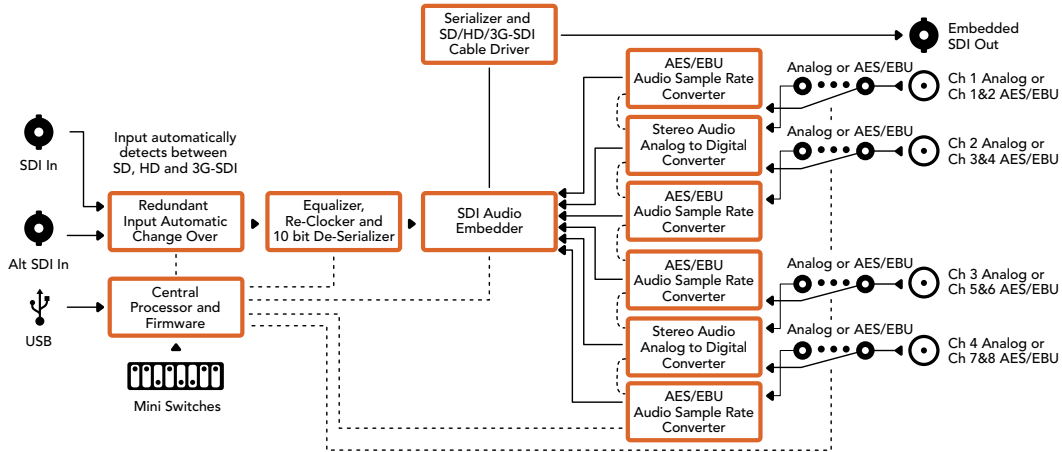
### Giriş Seviyeleri menüsü

Bu menü ses girişindeki kazanç (gain) değerini düzeltmenizi sağlar. Ses seviyelerini her kanal için bağımsız olarak veya sürgülerinin yanındaki 'link' ikonunu tıklayarak, kanal çiftleri olarak birlikte düzeltebilirsiniz. Tüm ses seviyelerini 0 dB'ye sıfırlamak için, 'çıkış seviyeleri' menüsünün üst kısmındaki 'reset' (sıfırla) butonunu tıklayın.



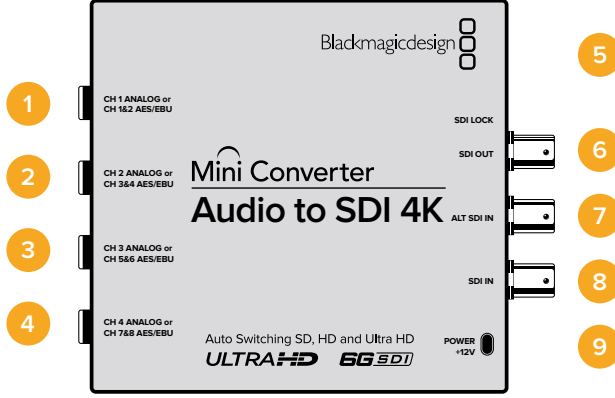
Analog ses seviyelerini düzeltmek için Converters Setup eklentisindeki 'audio' (ses) sekmesini kullanın.

### Mini Converter Audio to SDI Blok Şeması



## Mini Converter Audio to SDI 4K

Mini Converter Audio to SDI 4K cihazı, herhangi bir SDI video bağlantısına dört kanal analog ses veya sekiz kanal AES/EBU dijital sesi gömebilir. Bu Mini Converter cihazını, SDI yönlendirici ve deck'lerle kullanılmak üzere, ses mikserleri ve analog deck üniteleri gibi ekipmanlardan gelen sesi, SDI video bağlantılarına gömmek için kullanabilirsiniz. Çeviricinizin SDI çıkışına, ek bir Mini Converter Audio to SDI 4K cihazı zincirleme bağlanarak, ilave SDI ses kanalları gömülebilir.



### Konektörler

- 1 KANAL 1 Analog veya KANAL 1 & 2 AES/EBU**  
Dengeli analog ses kanalı 1 veya AES/EBU dijital ses kanalları 1 ve 2 girişi 1/4" jak konektörü.
- 2 KANAL 2 Analog veya KANAL 3 & 4 AES/EBU**  
Dengeli analog ses kanalı 2 veya AES/EBU dijital ses kanalları 3 ve 4 girişi 1/4" jak konektörü.
- 3 KANAL 3 Analog veya KANAL 5 & 6 AES/EBU**  
Dengeli analog ses kanalı 3 veya AES/EBU dijital ses kanalları 5 ve 6 girişi 1/4" jak konektörü.
- 4 KANAL 4 Analog veya KANAL 7 & 8 AES/EBU**  
Dengeli analog ses kanalı 4 veya AES/EBU dijital ses kanalları 7 ve 8 girişi 1/4" jak konektörü.
- 5 Mini-B USB PORT**  
Mac OS X veya Windows bilgisayarınız üzerinden, Converters Setup yazılımına bağlanır. Mini Converter'in dahili yazılımı da USB portu kullanılarak güncellenir.
- 6 SDI ÇIKIŞI**  
Bir BNC konektörde düz geçiş SDI video çıkışı.
- 7 ALT SDI GİRİŞİ**  
Yedek bir SDI girişi, opsiyonel bir yedek olarak sunulur. SDI GİRİŞ VE ALT SDI GİRİŞ'in her ikisini kullanırken, SDI GİRİŞ sinyalinin kesilmesi durumunda ALT SDI GİRİŞ'i devreye girer. SDI LOCK LED (SDI Kilit LED'i) yanıp sönerek, çeviricinin ALT SDI GİRİŞ'ine geçiş yaptığını belirtir.
- 8 SDI GİRİŞİ**  
Ana SDI girişi.
- 9 GÜÇ +12V**  
12 volt güç kaynağı girişi.



## Anahtarlar

Mini Converter Audio to SDI 4K'nın anahtarları, aşağıdaki ayarları sunar:

### Anahtar 8 - Analog Ses, AES/EBU Ses

Dengeli analog ses seçeneği için 8 numaralı anahtarı 'OFF' (kapalı) veya dijital AES/EBU ses girişi için 'ON' (açık) olarak ayarlayın.

### Anahtar 7 - Örnekleme Hızı Dönüşümlü, Örnekleme Hızı Dönüşümsüz

Örnekleme hızı dönüşümünü etkinleştirmek için, 7. anahtarı 'OFF' olarak veya örnekleme hızı dönüşümünü etkisiz hale getirmek için de 'ON' olarak ayarlayın. Sesin televizyon yayını için doğru örnekleme hızında gömülmesini sağlamak üzere, bu anahtar neredeyse her zaman 'OFF' olarak ayarlanmış olmalıdır.

7. anahtar 'OFF' olarak ayarlı olduğunda bu ayar, analog veya AES/EBU sesin örnekleme hızını dönüştürür ve sesi 48 kHz örnekleme hızıyla SDI çıkışına gömer. 7. anahtar 'ON' olarak ayarlandığında, örnekleme hızı dönüşümü etkisiz hale getirilir ve ses, giriş sesinizin orijinal örnekleme hızında çıkarılır.

### Anahtar 6 - Ses Grubu Bit 1

6 ve 5 numaralı anahtarlar, dört adet AÇIK/KAPALI (ON/OFF) kombinasyonu sunmak üzere bir arada gruplandırılmıştır. Dört farklı kombinasyonun olması; SDI çıkışınıza, dört adede kadar analog ses kanalının veya sekiz adet AES/EBU ses kanalının gömülmesine olanak verir.

### Anahtar 5 - Ses Grubu Bit 0

6. anahtarın tanımına bakın.

### Ses Seçim Tablosu

Analog Ses Kanalları	Anahtar 6	Anahtar 5	Anahtar (Switch) Şeması
1 ila 4	KAPALI	KAPALI	
5 ila 8	KAPALI	AÇIK	
9 ila 12	AÇIK	KAPALI	
13 ila 16	AÇIK	AÇIK	

AES/EBU Kanalları	Anahtar 6	Anahtar 5	Anahtar (Switch) Şeması
1 ila 8	KAPALI	KAPALI	
9 ila 16	KAPALI	AÇIK	

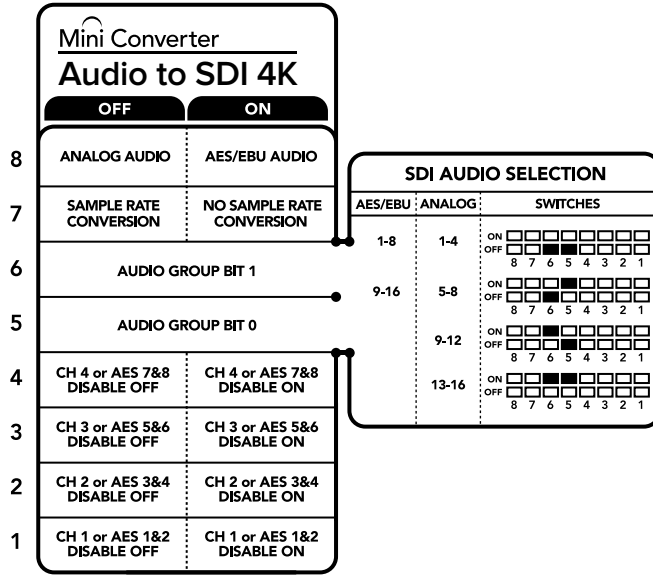
## Kanalların Gömülmesi veya Etkisiz Hale Getirilmesi

Ses kanallarınızı seçtikten sonra, gömmek istediğiniz kanalları seçmek veya etkisiz hale getirmek için 4, 3, 2 ve 1 numaralı anahtarları kullanın. 'Etkisiz hale getirme' ayarı, SDI sinyalinde tutmak istediğiniz ses kanallarının üzerine yazılmasını önlemenizi sağlar.

Örneğin, 1 numaralı anahtarı 'ON' konumuna getirerek, 1. analog ses kanalını veya 1. ve 2. AES/EBU kanallarını etkisiz hale getirebilirsiniz. Bunun yerine, 1. anahtarı 'OFF' konumuna getirerek ses kanallarını gömebilirsiniz.

## Ses Kanalı Ayırıştırma veya Etkisiz Hale Getirme Ayarları

Anahtar	Ayar	Ses Kanalları
4	AÇIK	Analog KANAL 4'ü, AES/EBU KANAL 7 ve 8'i etkisiz hale getir.
	KAPALI	Analog KANAL 4'ü, AES/EBU KANAL 7 ve 8'i göm.
3	AÇIK	Analog KANAL 3'ü, AES/EBU KANAL 5 ve 6'yı etkisiz hale getir.
	KAPALI	Analog KANAL 3'ü, AES/EBU KANAL 5 ve 6'yı göm.
2	AÇIK	Analog KANAL 2'yi, AES/EBU KANAL 3 ve 4'ü etkisiz hale getir.
	KAPALI	Analog KANAL 2'yi, AES/EBU KANAL 3 ve 4'ü göm.
1	AÇIK	Analog KANAL 1'i, AES/EBU KANAL 1 ve 2'yi etkisiz hale getir.
	KAPALI	Analog KANAL 1'i, AES/EBU KANAL 1 ve 2'yi göm.



Çevircinizin altındaki anahtar açıklamaları, dönüşüm ayarlarını değiştirmeniz için ihtiyacınız olan tüm bilgileri sunar.

### Mini Anahtar Ayarları Örneği

Bu anahtarlarla denemeler yapın. 8, 6 ve 5 numaralı anahtarları 'OFF' konumuna getirerek, 1 ila 4 arasında analog ses kanalını seçin.

## Blackmagic Converters Setup Ayarları

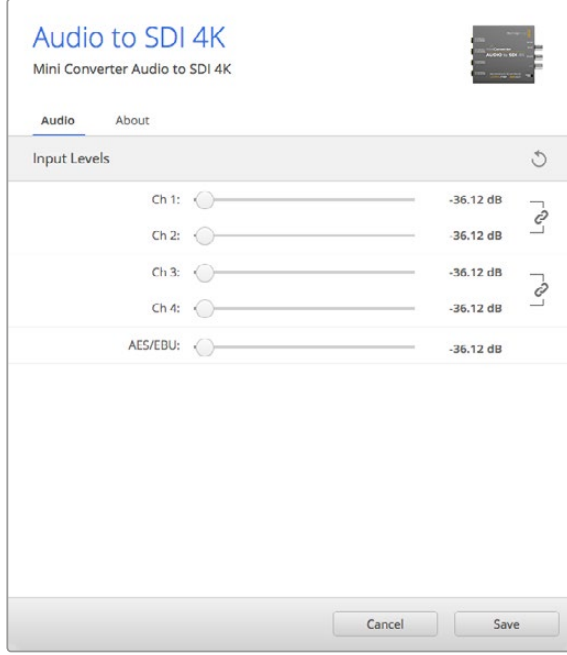
Converters Setup yardımcı yazılımı, ayarları değiştirmek ve Mini Converter cihazınızın yazılımını güncellemek için kullanılabilir. Bu ayarlara; 'ses' (audio) ve 'hakkında' (about) sekmeleri arasında hareket ederek erişebilirsiniz.

'Hakkında' sekmesine ilişkin açıklayıcı bilgi, bu kılavuzun 'ayarların değiştirilmesi' bölümünde bulunur.

Mini Converter Audio to SDI 4K için 'ses' sekmesi, aşağıdaki ayarları içerir.

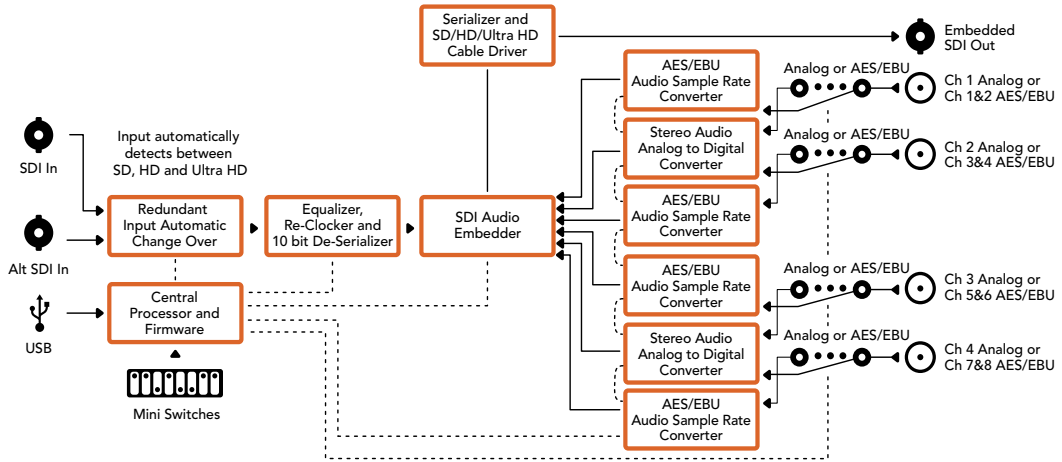
### Giriş Seviyeleri menüsü

Bu menü, ses girişindeki kazanç (gain) değerini düzeltmenizi sağlar. Ses seviyelerini her kanal için bağımsız olarak veya sürgülerinin yanındaki 'link' ikonunu tıklayarak, kanal çiftleri olarak birlikte düzeltebilirsiniz. Tüm ses seviyelerini 0 dB'ye sıfırlamak için, 'çıkış seviyeleri' menüsünün üst kısmındaki 'reset' (sıfırla) butonunu tıklayın.



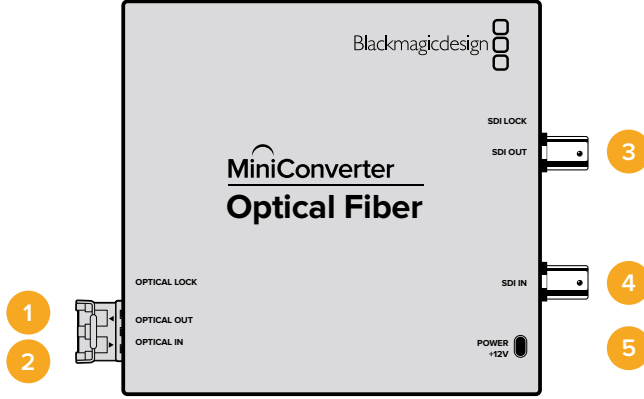
Analog ses seviyelerini düzeltmek için Converters Setup eklentisindeki 'audio' (ses) sekmesini kullanın.

### Mini Converter Audio to SDI 4K Blok Şeması



## Mini Converter Optical Fiber

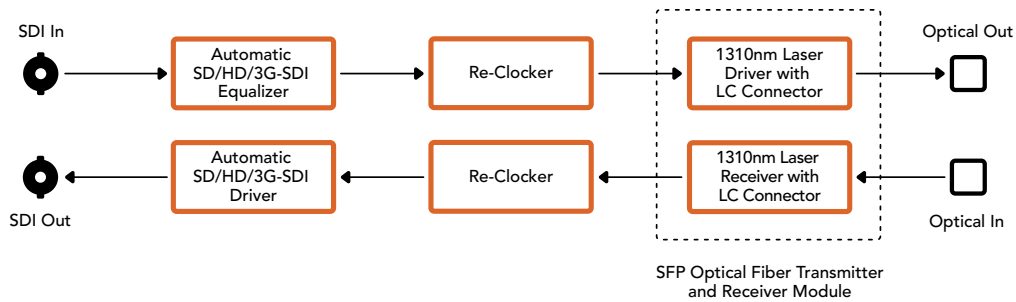
Mini Converter Optical Fiber modeliyle; SDI'yi Fiber Optik'e ve Fiber Optik'i SDI'ya eşzamanlı dönüştürebilirsiniz. Mini Converter Optical Fiber cihazı, SD/HD/3G-SDI video standartları arasında otomatik dönüşüm yapar ve her bir yön birbirinden tamamen bağımsızdır. Geleneksel SDI kablolarının desteklediğinden daha uzun mesafelere SDI sinyali göndermeniz veya almanız gerekiyorsa, bu çeviriciyi kullanın. Fiber optik kullanarak, SD video 45 km'ye veya 147.000 fit'e kadar gönderilebilir, oysa bakır SDI kabloları ile yalnızca 300 fit'e gönderilebilir. 3G-SDI, 25 km'ye kadar iletilebilir!



## Konektörler

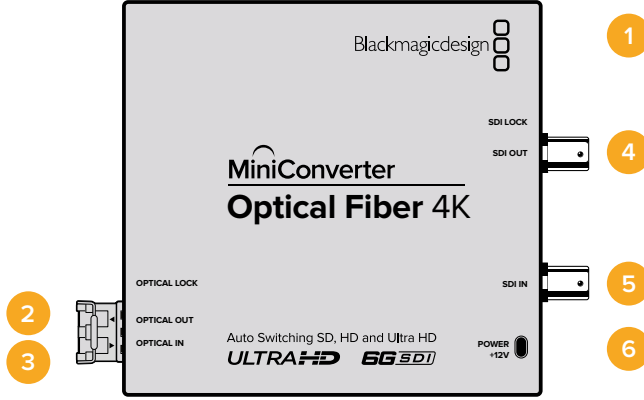
- 1 Optik Çıkış**  
Fiber optik çıkış, LC konektör ile tek modlu bir fiber optik kabloyu destekler.
- 2 Optik Giriş**  
Fiber optik giriş, LC konektör ile tek modlu bir fiber optik kabloyu destekler.
- 3 3G-SDI Çıkışı**  
Geleneksel SDI ekipmana bağlantı için, bir BNC konektör üzerinde SDI video çıkışı.
- 4 3G-SDI Girişi**  
Geleneksel SDI ekipmana bağlantı için, bir BNC konektör üzerinde SDI video girişi.
- 5 Güç +12V**  
12 volt güç kaynağı girişi.

## Mini Converter Optical Fiber Blok Şeması



## Mini Converter Optical Fiber 4K

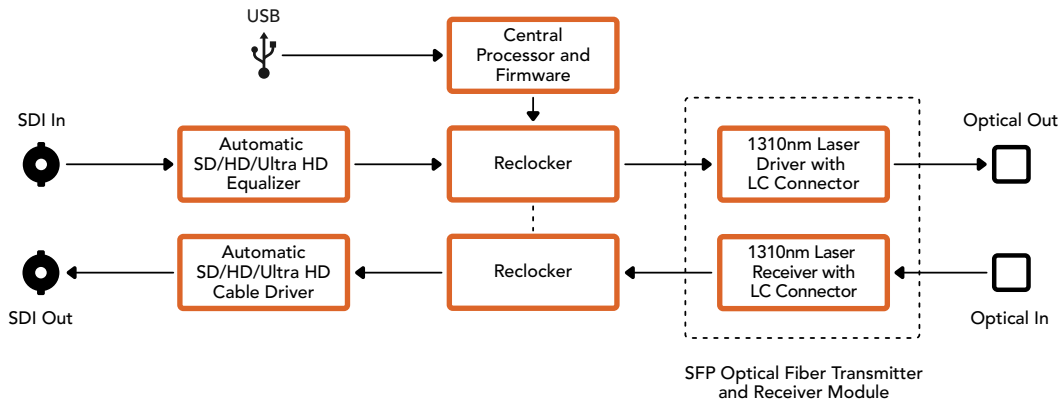
SD/HD ve tek link 6G-SDI'yi Fiber Optik'e ve Fiber Optik'i SD/HD ve tek link 6G-SDI'ya eşzamanlı dönüştürebilirsiniz. Mini Converter Optical Fiber 4K cihazı, SD/HD/3G/6G-SDI video standartları arasında otomatik dönüşüm yapar ve her bir yön birbirinden tamamen bağımsızdır. Geleneksel SDI kablolarının desteklediğinden daha uzun mesafelere SDI sinyali göndermeniz veya almanız gerekiyorsa, bu çeviriciyi kullanın. Fiber optik kullanarak, SD video 45 km'ye veya 147.000 fite kadar gönderilebilir, oysa bakır SDI kabloları ile yalnızca 300 fit uzaklığa gönderilebilir. 6G-SDI, 12 km'ye kadar iletilebilir!



## Konektörler

- 1 Mini-B USB Port**  
Mini Converter'in dahili yazılımı USB portu kullanılarak güncellenir.
- 2 Optik Çıkış**  
Fiber optik çıkış, LC konektör ile tek modlu bir fiber optik kabloyu destekler.
- 3 Optik Giriş**  
Fiber optik giriş, LC konektör ile tek modlu bir fiber optik kabloyu destekler.
- 4 SDI Çıkışı**  
Geleneksel SDI ekipmana bağlantı için, bir BNC konektör üzerinde SDI video çıkışı.
- 5 SDI Girişi**  
Geleneksel SDI ekipmana bağlantı için, bir BNC konektör üzerinde SDI video girişi.
- 6 Güç +12V**  
12 volt güç kaynağı girişi.

## Mini Converter Optical Fiber 4K Blok Şeması



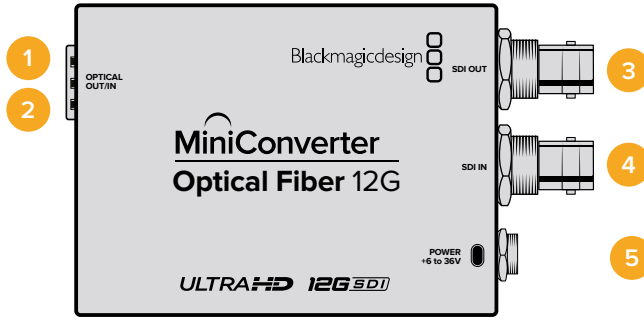
## Mini Converter Optical Fiber 12G

Bu çevirici, 12G-SDI'ya kadar olan SD ve HD videoyu fiber optik'e ve tersine, eşzamanlı dönüşüm yapar.

SFP tipi fiber optik modül soketi; 3G, 6G ve 12G-SDI videoya kadar destekleyen uyumlu bir SFP fiber optik modül ile donatılabilir.

Çeviriciniz video giriş formatını otomatik tespit eder ve çıkış formatını onunla eşleşecek şekilde ayarlar. Her iki yön birbirinden tamamen bağımsızdır.

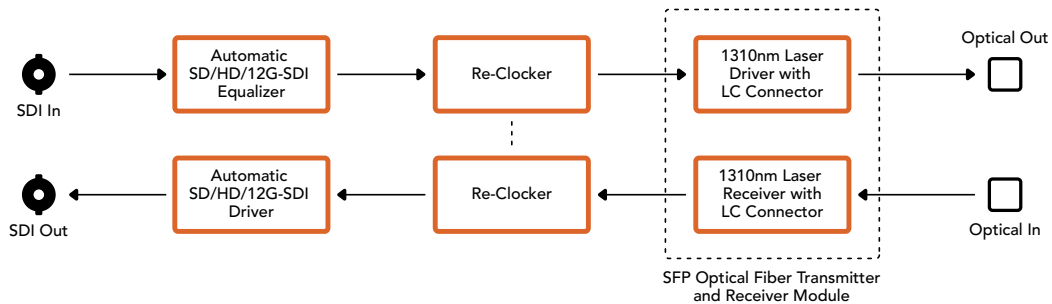
Geleneksel SDI kablolarının desteklediğinden daha uzun mesafelere SDI sinyali göndermeniz veya almanız gerektiğinde, bu çevirici yardımcı olacaktır. Örneğin, Fiber optik kullanarak, SD video 45 km'ye veya 147.000 fit mesafeye kadar gönderilebilir, oysa bakır SDI kabloları ile yalnızca 300 fite gönderilebilir. 12G-SDI, 6 km'ye kadar iletilebilir!



## Konektörler

- 1 Optik Çıkış**  
Fiber optik çıkış, LC konektör ile tek modlu bir fiber optik kabloyu destekler.
- 2 Optik Giriş**  
Fiber optik giriş, LC konektör ile tek modlu bir fiber optik kabloyu destekler.
- 3 SDI Çıkışı**  
SDI ekipmana bağlantı için, bir BNC konektör üzerinde SDI video çıkışı.
- 4 SDI Girişi**  
SDI ekipmana bağlantı için, bir BNC konektör üzerinde SDI video girişi.
- 5 Güç +6'dan 36V'ye kadar**  
6-36 volt güç kaynağı girişi. Bağlantının yanlışlıkla kesilmesini önlemek için, destek vidası ünitenin güç konektörüne sabitlenebilir.

## Mini Converter Optical Fiber 12G Blok Şeması

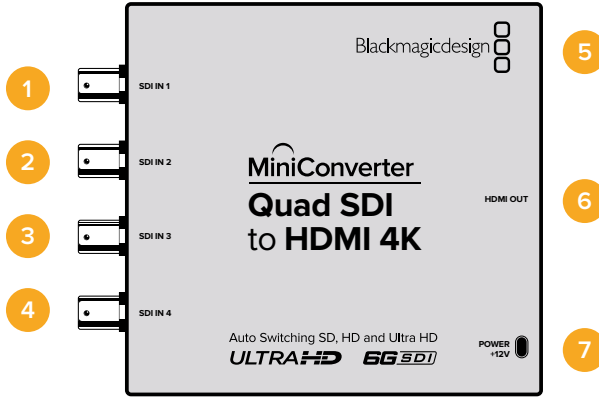


## Mini Converter Quad SDI to HDMI 4K

Mini Converter Quad SDI to HDMI 4K cihazınız; tek (single) link, çift (dual) link ve dörtlü (quad) link SDI Ultra HD'yi, tek bir HDMI link üzerinden Ultra HD'yi destekleyen en son Ultra HD projektörlere ve televizyonlara bağlayabilir. Ayrıca, aşağıdaki girişlerden herhangi birini HDMI'ya dönüştürebilirsiniz:

- SD SDI
- HD-SDI
- Single (tek) link 3G-SDI
- Single (tek) link 6G-SDI
- Dual (çift) link HD-SDI
- Dual (çift) link 3G-SDI Ultra HD
- Quad (dörtlü) link HD-SDI Ultra HD

HDMI çıkışı bir HD monitör veya HDTV (televizyon) tespit ederse, çıkış sinyali otomatikman aşağı dönüştürülür. Geçerli bir çift link sinyal ile yalnızca 1. ve 2. girişleri kullanın.



## Konektörler

Desteklenen formatlar, her bir SDI girişi altında sıralanmıştır.

- 1 SDI Girişi 1**
  - SD/HD-SDI
  - Single (tek) link 3G-SDI
  - Single (tek) link 6G-SDI
  - Dual (çift) link HD-SDI kanal A
  - Dual (çift) link 3G-SDI Ultra HD kanal A
  - Quad (dörtlü) link HD-SDI Ultra HD kanal A
- 2 SDI Girişi 2**
  - Dual (çift) link HD-SDI kanal B
  - Dual (çift) link 3G-SDI Ultra HD kanal B
  - Quad (dörtlü) link HD-SDI Ultra HD kanal B
- 3 SDI Girişi 3**
  - Quad (dörtlü) link HD-SDI Ultra HD kanal C
- 4 SDI Girişi 4**
  - Quad (dörtlü) link HD-SDI Ultra HD kanal D

##### 5 Mini-B USB portu

Mac OS X veya Windows bilgisayarınız üzerinden, Converters Setup yazılımına bağlanır. Mini Converter'in dahili yazılımını da USB portu kullanılarak güncellenir.

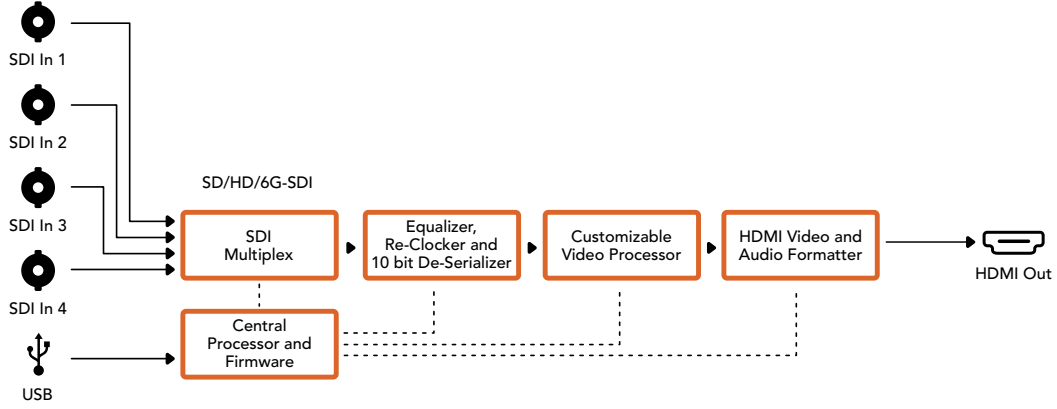
##### 6 HDMI

HDMI A tipi video çıkışı.

##### 7 Güç +12V

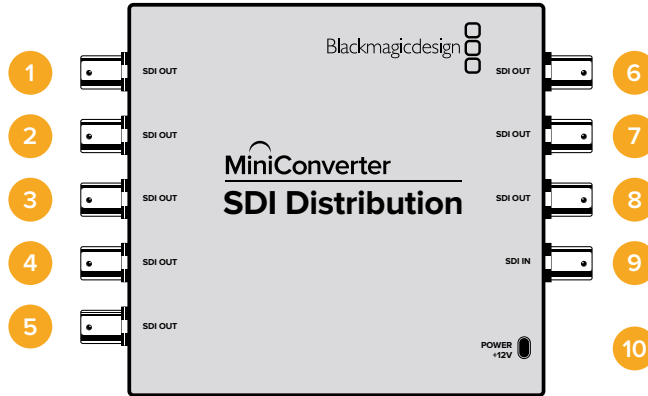
12 volt güç kaynağı girişi.

#### Mini Converter Quad SDI to HDMI 4K Blok Şeması



#### Mini Converter SDI Distribution

Mini Converter SDI Distribution cihazı ile SDI sinyalinizi; deck, ekran duvarı ve switcher gibi, sekiz adet SDI cihazına eşzamanlı olarak çıkarabilirsiniz. Video girişi SD-SDI, HD-SDI ve 3G-SDI video formatları arasında her değiştiğinde, Mini Converter SDI Distribution cihazı sekiz adet reclock özelliği olan çıkışı; ASI, destekleyici veri ve gömülü ses formatlarını destekleyen bir formata dönüştürür.



#### Konektörler

##### 1-8 SDI Çıkışı

BNC konektörlerde SDI video çıkışları.

##### 9 SDI Girişi

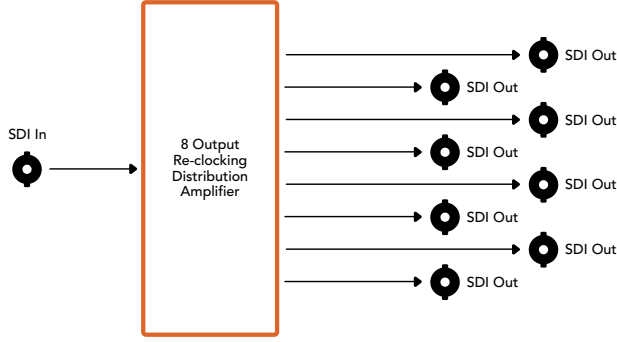
SDI girişi.

##### 10 Güç +12V

12 volt güç kaynağı girişi.

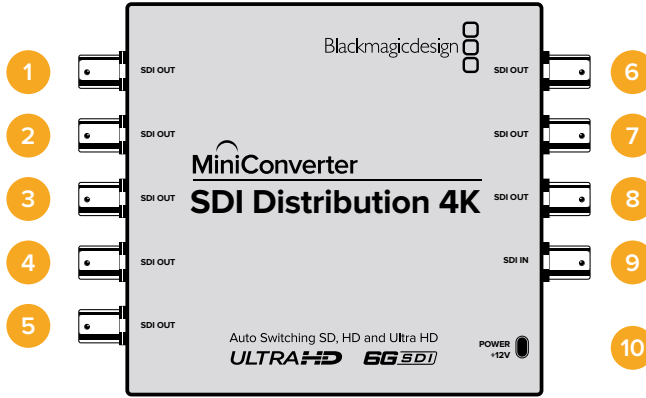


## Mini Converter SDI Distribution Blok Şeması



## Mini Converter SDI Distribution 4K

Mini Converter SDI Distribution cihazı SDI sinyalinizi; deck, ekran duvarı ve switcher gibi, sekiz adet SDI cihazına eşzamanlı olarak çıkarır. Video girişi SD/HD/3G/6G-SDI video formatları arasında her değiştiğinde, Mini Converter SDI Distribution 4K cihazı sekiz adet reclock özelliği olan çıkışı; ASI, destekleyici veri ve gömülü ses formatlarını destekleyen bir formata dönüştürür.



## Konektörler

### 1-8 SDI Çıkışı

BNC konektörlerde SDI video çıkışları.

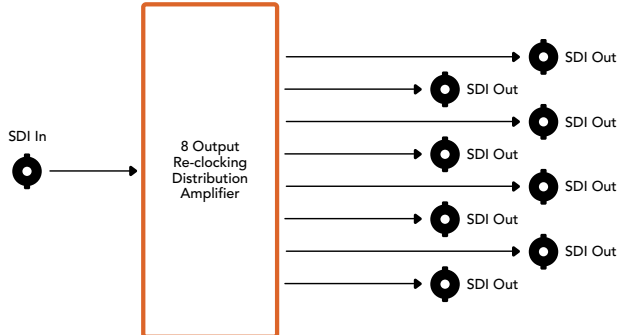
### 9 SDI Girişi

SDI girişi.

### 10 Güç +12V

12 volt güç kaynağı girişi.

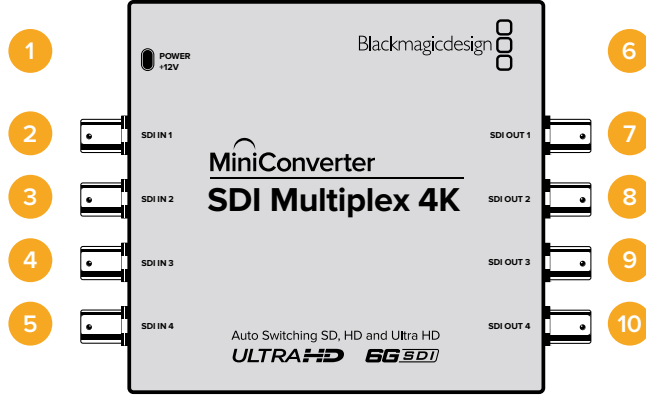
## Mini Converter SDI Distribution 4K Blok Şeması



## Mini Converter SDI Multiplex 4K

Mini Converter SDI Multiplex 4K cihazınız, aşağıdaki dönüşümleri uygulayabilir:

- Dört çıkışın hepsine bir SD/HD ve 6G-SDI sinyali dağıtımı.
- Dört 3G-SDI çıkışının hepsine, bir dual link HD-SDI sinyali dağıtımı.
- Single link 3G-SDI'den dual link HD-SDI'ya. Çift link çıkış, çıkış çiftlerinin her ikisinde dağıtılır.
- Single link 6G-SDI'den dual link 3G-SDI'ya veya Quad link 1.5G SDI'ya.
- Var olan Ultra HD kaynakları çift link Ultra HD ekranlara bağlayabilmeniz için, Dörtlü link HD-SDI'den tek link 6G-SDI'ya veya çift link 3G-SDI Ultra HD'ye. Çift link çıkış, çıkış çiftlerinin her ikisinde dağıtılır.
- Çift link 3G-SDI'den tek link 6G-SDI'ya.
- En son çift link Ultra HD kaynakları mevcut dörtlü link Ultra HD ekranlara bağlayabilmeniz için, çift link 3G-SDI Ultra HD'den dörtlü link HD-SDI Ultra HD'ye.



## Konektörler

- 1 Güç +12V**
  - 12 volt güç kaynağı girişi.
  - SDI girişlerinin her biri için desteklenen formatlar
- 2 SDI Girişi 1**
  - SD/HD-SDI
  - Single (tek) link 3G-SDI
  - Single (tek) link 6G-SDI
  - Dual (çift) link HD-SDI kanal A
  - Dual (çift) link 3G-SDI Ultra HD kanal A
  - Quad (dörtlü) link HD-SDI Ultra HD kanal A
- 3 SDI Girişi 2**
  - Dual (çift) link HD-SDI kanal B
  - Dual (çift) link 3G-SDI Ultra HD kanal B
  - Quad (dörtlü) link HD-SDI Ultra HD kanal B
- 4 SDI Girişi 3**
  - Quad (dörtlü) link HD-SDI Ultra HD kanal C
- 5 SDI Girişi 4**
  - Quad (dörtlü) link HD-SDI Ultra HD kanal D

## 6 Mini-B USB portu

Mac OS X veya Windows bilgisayarınız üzerinden, Converters Setup yazılımına bağlanır. Mini Converter'in dahili yazılımı da USB portu kullanılarak güncellenebilir.

Desteklenen formatlar, her bir SDI çıkışı altında sıralanmıştır.

## 7 SDI Çıkışı 1

- SD/HD-SDI
- Single (tek) link 3G-SDI
- Single (tek) link 6G-SDI
- Dual (çift) link HD-SDI kanal A
- Dual (çift) link 3G-SDI Ultra HD kanal A
- Quad (dörtlü) link HD-SDI Ultra HD kanal A

## 8 SDI Çıkışı 2

- SD/HD-SDI
- Single (tek) link 3G-SDI
- Single (tek) link 6G-SDI
- Dual (çift) link HD-SDI kanal B
- Dual (çift) link 3G-SDI Ultra HD kanal B
- Quad (dörtlü) link HD-SDI Ultra HD kanal B

## 9 SDI Çıkışı 3

- SD/HD-SDI
- Single (tek) link 3G-SDI
- Single (tek) link 6G-SDI
- Dual (çift) link HD-SDI kanal A
- Dual (çift) link 3G-SDI Ultra HD kanal A
- Quad (dörtlü) link HD-SDI Ultra HD kanal C

## 10 SDI Çıkışı 4

- SD/HD-SDI
- Single (tek) link 3G-SDI
- Single (tek) link 6G-SDI
- Dual (çift) link HD-SDI kanal B
- Dual (çift) link 3G-SDI Ultra HD kanal B
- Quad (dörtlü) link HD-SDI Ultra HD kanal D

## Anahtarlar

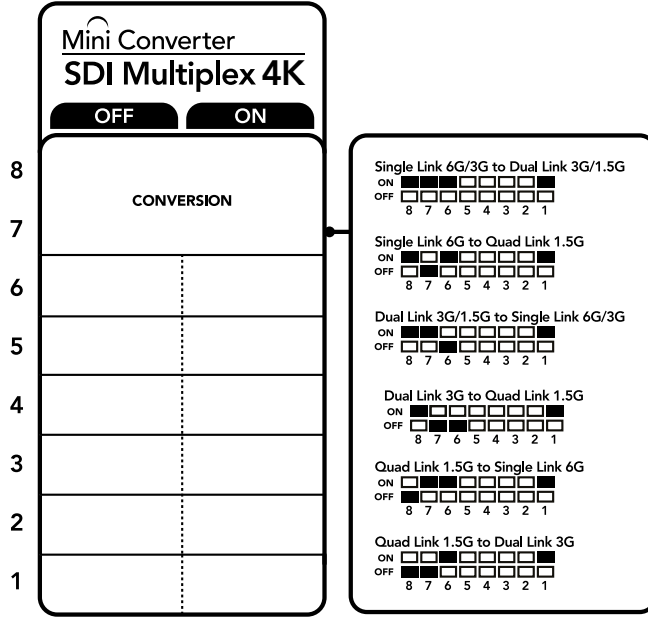
Mini Converter SDI Multiplex 4K'nın anahtarları, aşağıdaki ayarları sunar:

### 8, 7 ve 6 numaralı Anahtarlar - Format Dönüşümü

8, 7 ve 6 numaralı anahtarların kombinasyonları; çift link HD-SDI'den tek link HD-SDI'ya veya dörtlü link Ultra HD'den tek link Ultra HD'ye gibi dönüşümleri ayarlar.

### Anahtar 1 - İşlem AÇIK/KAPALI

1. anahtar 'OFF' olarak ayarlıyken, Mini Converter SDI Multiplex 4K cihazı, 4 çıkışlı SD/HD/6G-SDI dağıtım amplifikatörü olarak işlev görür.



Çevircinizin altındaki anahtar açıklamaları, dönüşüm ayarlarını değiştirmeniz için ihtiyacınız olan tüm bilgileri sunar.

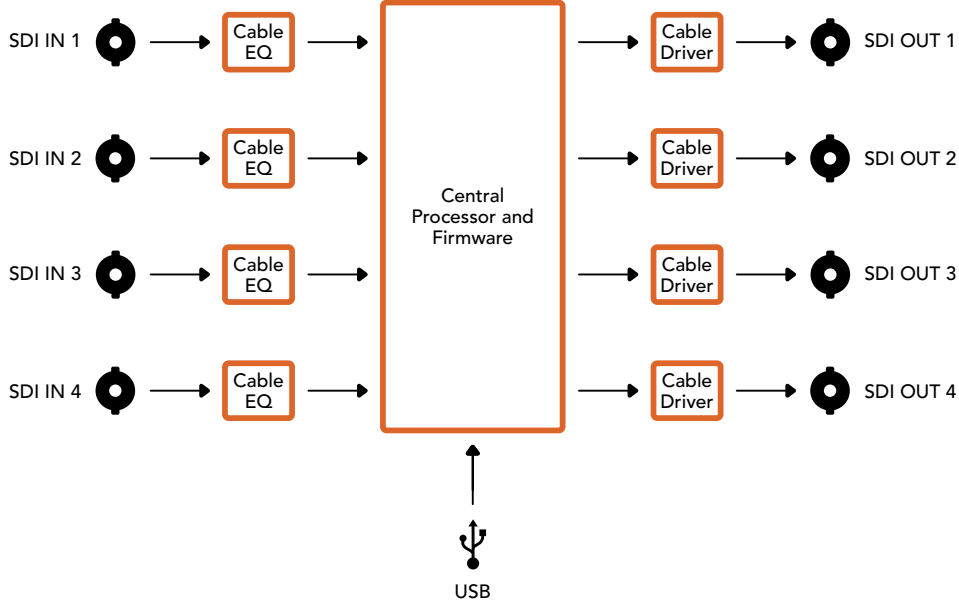
### Mini Anahtar Ayarları Örneği

8. anahtarı 'ON' olarak ve 7. anahtarı da 'OFF' olarak ayarlayarak, dördü link Ultra HD'yi çift link Ultra HD'ye dönüştürün.

### SDI Bağlantı Tablosu

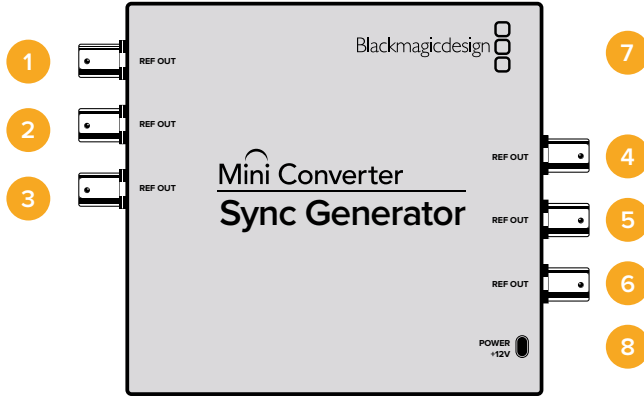
Dönüşüm	Anahtar 8	Anahtar 7	Anahtar 6	Anahtar 1	Anahtar (Switch) Şeması
Single Link 6G/3G-SDI'dan Dual Link 3G/1.5G-SDI'ya	AÇIK	AÇIK	AÇIK	AÇIK	ON <input checked="" type="checkbox"/> <input checked="" type="checkbox"/> <input checked="" type="checkbox"/> <input checked="" type="checkbox"/> <input checked="" type="checkbox"/> <input checked="" type="checkbox"/> <input checked="" type="checkbox"/> <input checked="" type="checkbox"/> OFF <input type="checkbox"/> <input type="checkbox"/> <input type="checkbox"/> <input type="checkbox"/> <input type="checkbox"/> <input type="checkbox"/> <input type="checkbox"/> <input type="checkbox"/>
Tek link 6G-SDI'dan Quad link 1.5G-SDI'ya.	AÇIK	KAPALI	AÇIK	AÇIK	ON <input checked="" type="checkbox"/> <input checked="" type="checkbox"/> <input checked="" type="checkbox"/> <input checked="" type="checkbox"/> <input checked="" type="checkbox"/> <input checked="" type="checkbox"/> <input checked="" type="checkbox"/> <input checked="" type="checkbox"/> OFF <input type="checkbox"/> <input type="checkbox"/> <input type="checkbox"/> <input type="checkbox"/> <input type="checkbox"/> <input type="checkbox"/> <input type="checkbox"/> <input type="checkbox"/>
Dual Link 3G/1.5G-SDI'dan Single Link 6G/3G-SDI'ya	AÇIK	AÇIK	KAPALI	AÇIK	ON <input checked="" type="checkbox"/> <input checked="" type="checkbox"/> <input checked="" type="checkbox"/> <input checked="" type="checkbox"/> <input checked="" type="checkbox"/> <input checked="" type="checkbox"/> <input checked="" type="checkbox"/> <input checked="" type="checkbox"/> OFF <input type="checkbox"/> <input type="checkbox"/> <input type="checkbox"/> <input type="checkbox"/> <input type="checkbox"/> <input type="checkbox"/> <input type="checkbox"/> <input type="checkbox"/>
Dual link 3G-SDI'dan Quad link 1.5G-SDI'ya.	AÇIK	KAPALI	KAPALI	AÇIK	ON <input checked="" type="checkbox"/> <input checked="" type="checkbox"/> <input checked="" type="checkbox"/> <input checked="" type="checkbox"/> <input checked="" type="checkbox"/> <input checked="" type="checkbox"/> <input checked="" type="checkbox"/> <input checked="" type="checkbox"/> OFF <input type="checkbox"/> <input type="checkbox"/> <input type="checkbox"/> <input type="checkbox"/> <input type="checkbox"/> <input type="checkbox"/> <input type="checkbox"/> <input type="checkbox"/>
Quad Link 1.5G-SDI'dan Single Link 6G-SDI'ya	KAPALI	AÇIK	AÇIK	AÇIK	ON <input type="checkbox"/> <input type="checkbox"/> <input checked="" type="checkbox"/> <input checked="" type="checkbox"/> <input checked="" type="checkbox"/> <input checked="" type="checkbox"/> <input checked="" type="checkbox"/> <input checked="" type="checkbox"/> OFF <input checked="" type="checkbox"/> <input checked="" type="checkbox"/> <input checked="" type="checkbox"/> <input checked="" type="checkbox"/> <input checked="" type="checkbox"/> <input checked="" type="checkbox"/> <input checked="" type="checkbox"/> <input checked="" type="checkbox"/>
Quad Link 1.5G-SDI'dan Dual Link 3G-SDI'ya	KAPALI	KAPALI	AÇIK	AÇIK	ON <input type="checkbox"/> <input type="checkbox"/> <input checked="" type="checkbox"/> <input checked="" type="checkbox"/> <input checked="" type="checkbox"/> <input checked="" type="checkbox"/> <input checked="" type="checkbox"/> <input checked="" type="checkbox"/> OFF <input checked="" type="checkbox"/> <input checked="" type="checkbox"/> <input checked="" type="checkbox"/> <input checked="" type="checkbox"/> <input checked="" type="checkbox"/> <input checked="" type="checkbox"/> <input checked="" type="checkbox"/> <input checked="" type="checkbox"/>

## Mini Converter SDI Multiplex 4K Blok Şeması



## Mini Converter Sync Generator

Mini Converter Sync Generator cihazınız, video ekipmanınızı ortak bir referans sinyaline kilitlemeye yarayan, 6 adet kristal stabilize video referans çıkışı içerir. Sync Generator, yüksek tanımlı tri-sync veya standart tanımlı blackburst sinyalleri üretir. Küçük stüdyolar ve dışarıda yapılan yayınlar için idealdir.



## Konektörler

### 1-6 REF Çıkışı

Referans video çıkışları BNC konektörleri.

### 7 Mini-B USB portu

Mac OS X veya Windows bilgisayarınız üzerinden, Converters Setup yazılımına bağlanır. Mini Converter'in dahili yazılımı da USB portu kullanılarak güncellenir.

### 8 Güç +12V

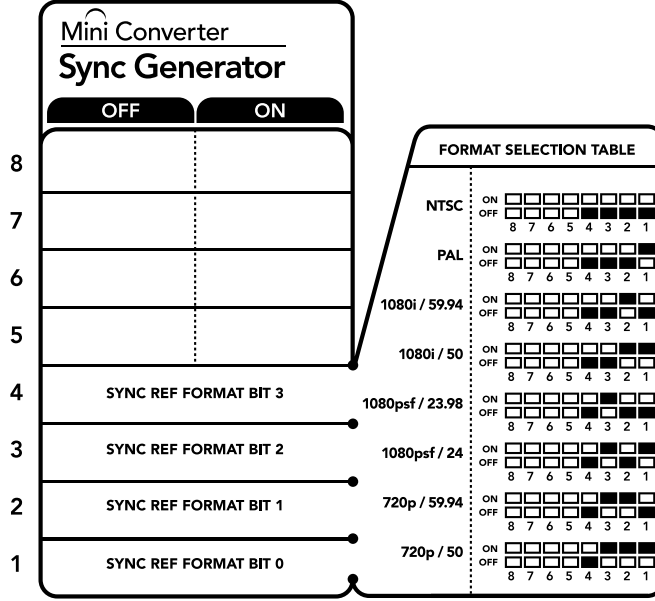
12 volt güç kaynağı girişi.

## Anahtarlar

Mini Converter Sync Generator'un anahtarları, aşağıdaki ayarları sunar:

### 4, 3, 2 ve 1 numaralı anahtarlar - SYNC REF FORMAT BIT 3, 2, 1 ve 0

Birçok referans video formatları arasından seçim yapmanız için 4, 3, 2 ve 1 numaralı anahtarlar birlikte gruplandırılmıştır. Bu formatlardan bazıları şunlardır:



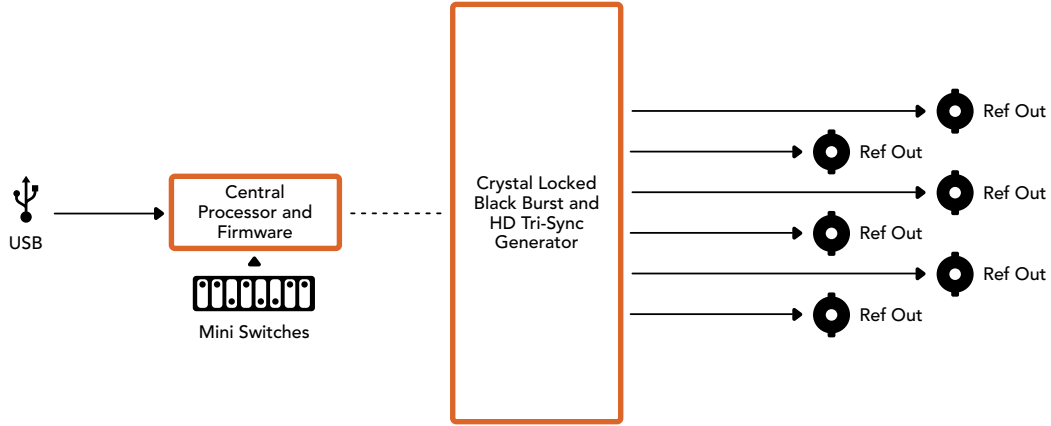
Çevircinizin altındaki anahtar açıklamaları, dönüşüm ayarlarını değiştirmeniz için ihtiyacınız olan tüm bilgileri sunar.

### Video Format Seçim Tablosu

Video Formatı	Anahtar 4	Anahtar 3	Anahtar 2	Anahtar 1	Anahtar (Switch) Şeması
NTSC	KAPALI	KAPALI	KAPALI	KAPALI	ON OFF 8 7 6 5 4 3 2 1
PAL	KAPALI	KAPALI	KAPALI	AÇIK	ON OFF 8 7 6 5 4 3 2 1
720p50	KAPALI	AÇIK	AÇIK	AÇIK	ON OFF 8 7 6 5 4 3 2 1
720p59.94	KAPALI	AÇIK	AÇIK	KAPALI	ON OFF 8 7 6 5 4 3 2 1
720p60	AÇIK	AÇIK	AÇIK	KAPALI	ON OFF 8 7 6 5 4 3 2 1
1080i50	KAPALI	KAPALI	AÇIK	AÇIK	ON OFF 8 7 6 5 4 3 2 1

Video Formatı	Anahtar 4	Anahtar 3	Anahtar 2	Anahtar 1	Anahtar (Switch) Şeması
1080i59.94	KAPALI	KAPALI	AÇIK	KAPALI	ON <input type="checkbox"/> <input type="checkbox"/> <input type="checkbox"/> <input type="checkbox"/> <input type="checkbox"/> <input type="checkbox"/> <input type="checkbox"/> <input type="checkbox"/> OFF <input type="checkbox"/> <input type="checkbox"/> <input type="checkbox"/> <input type="checkbox"/> <input checked="" type="checkbox"/> <input type="checkbox"/> <input type="checkbox"/> <input type="checkbox"/> <input type="checkbox"/> <input type="checkbox"/> <input type="checkbox"/> <input type="checkbox"/>
1080i60	AÇIK	KAPALI	KAPALI	KAPALI	ON <input type="checkbox"/> <input type="checkbox"/> <input type="checkbox"/> <input type="checkbox"/> <input type="checkbox"/> <input type="checkbox"/> <input type="checkbox"/> <input type="checkbox"/> OFF <input type="checkbox"/> <input type="checkbox"/> <input type="checkbox"/> <input type="checkbox"/> <input checked="" type="checkbox"/> <input type="checkbox"/> <input type="checkbox"/> <input type="checkbox"/> <input type="checkbox"/> <input type="checkbox"/> <input type="checkbox"/> <input type="checkbox"/>
1080PsF23.98	KAPALI	AÇIK	KAPALI	KAPALI	ON <input type="checkbox"/> <input type="checkbox"/> <input type="checkbox"/> <input type="checkbox"/> <input type="checkbox"/> <input type="checkbox"/> <input type="checkbox"/> <input type="checkbox"/> OFF <input type="checkbox"/> <input type="checkbox"/> <input type="checkbox"/> <input type="checkbox"/> <input checked="" type="checkbox"/> <input type="checkbox"/> <input type="checkbox"/> <input type="checkbox"/> <input type="checkbox"/> <input type="checkbox"/> <input type="checkbox"/> <input type="checkbox"/>
1080PsF24	KAPALI	AÇIK	KAPALI	AÇIK	ON <input type="checkbox"/> <input type="checkbox"/> <input type="checkbox"/> <input type="checkbox"/> <input type="checkbox"/> <input type="checkbox"/> <input type="checkbox"/> <input type="checkbox"/> OFF <input type="checkbox"/> <input type="checkbox"/> <input type="checkbox"/> <input type="checkbox"/> <input checked="" type="checkbox"/> <input type="checkbox"/> <input type="checkbox"/> <input type="checkbox"/> <input type="checkbox"/> <input type="checkbox"/> <input type="checkbox"/> <input type="checkbox"/>
1080p23.98	AÇIK	AÇIK	KAPALI	AÇIK	ON <input type="checkbox"/> <input type="checkbox"/> <input type="checkbox"/> <input type="checkbox"/> <input type="checkbox"/> <input type="checkbox"/> <input type="checkbox"/> <input type="checkbox"/> OFF <input type="checkbox"/> <input type="checkbox"/> <input type="checkbox"/> <input type="checkbox"/> <input checked="" type="checkbox"/> <input type="checkbox"/> <input type="checkbox"/> <input type="checkbox"/> <input type="checkbox"/> <input type="checkbox"/> <input type="checkbox"/> <input type="checkbox"/>
1080p24	AÇIK	AÇIK	KAPALI	KAPALI	ON <input type="checkbox"/> <input type="checkbox"/> <input type="checkbox"/> <input type="checkbox"/> <input type="checkbox"/> <input type="checkbox"/> <input type="checkbox"/> <input type="checkbox"/> OFF <input type="checkbox"/> <input type="checkbox"/> <input type="checkbox"/> <input type="checkbox"/> <input checked="" type="checkbox"/> <input type="checkbox"/> <input type="checkbox"/> <input type="checkbox"/> <input type="checkbox"/> <input type="checkbox"/> <input type="checkbox"/> <input type="checkbox"/>
1080p25	AÇIK	KAPALI	AÇIK	AÇIK	ON <input type="checkbox"/> <input type="checkbox"/> <input type="checkbox"/> <input type="checkbox"/> <input type="checkbox"/> <input type="checkbox"/> <input type="checkbox"/> <input type="checkbox"/> OFF <input type="checkbox"/> <input type="checkbox"/> <input type="checkbox"/> <input type="checkbox"/> <input checked="" type="checkbox"/> <input type="checkbox"/> <input type="checkbox"/> <input type="checkbox"/> <input type="checkbox"/> <input type="checkbox"/> <input type="checkbox"/> <input type="checkbox"/>
1080p29.97	AÇIK	KAPALI	AÇIK	KAPALI	ON <input type="checkbox"/> <input type="checkbox"/> <input type="checkbox"/> <input type="checkbox"/> <input type="checkbox"/> <input type="checkbox"/> <input type="checkbox"/> <input type="checkbox"/> OFF <input type="checkbox"/> <input type="checkbox"/> <input type="checkbox"/> <input type="checkbox"/> <input checked="" type="checkbox"/> <input type="checkbox"/> <input type="checkbox"/> <input type="checkbox"/> <input type="checkbox"/> <input type="checkbox"/> <input type="checkbox"/> <input type="checkbox"/>
1080p30	AÇIK	KAPALI	KAPALI	AÇIK	ON <input type="checkbox"/> <input type="checkbox"/> <input type="checkbox"/> <input type="checkbox"/> <input type="checkbox"/> <input type="checkbox"/> <input type="checkbox"/> <input type="checkbox"/> OFF <input type="checkbox"/> <input type="checkbox"/> <input type="checkbox"/> <input type="checkbox"/> <input checked="" type="checkbox"/> <input type="checkbox"/> <input type="checkbox"/> <input type="checkbox"/> <input type="checkbox"/> <input type="checkbox"/> <input type="checkbox"/> <input type="checkbox"/>

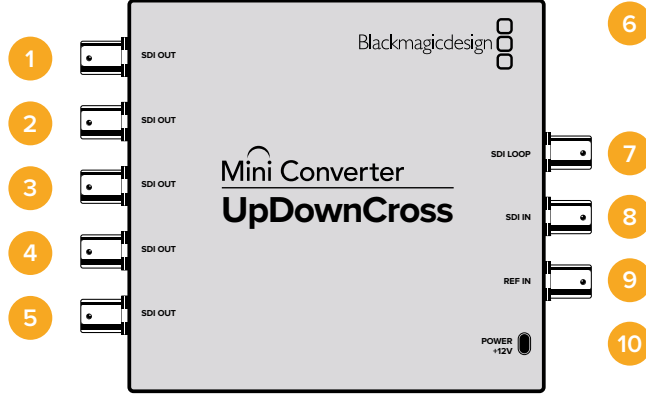
#### Mini Converter Sync Generator Blok Şeması



## Mini Converter UpDownCross

Mini Converter UpDownCross cihazı; yukarı, aşağı ve çapraz dönüşümler yaptığı gibi; NTSC/PAL standartları dönüşümü ve format dönüşümü de yapar. Mini Converter UpDownCross cihazı; 720p'den 1080i'ye kadar olan video formatları ve PAL ve NTSC video standartları arasında dönüşüm yapabilir. Ayrıca, 4:3 Pillarbox ve 16:9 zoom gibi görüntü oranlarıyla yukarı dönüşüm imkanı sunar. Letterbox 4:3 ve anamorfik 16:9 gibi aşağı dönüşüm seçenekleri de sunar.

Dönüşüm işleme modu 'OFF' olarak ayarlandığında, Mini Converter cihazı bir SDI dağıtım amplifikatörü olarak işlev görür.



## Konektörler

### 1-5 SDI Çıkışı

SDI video çıkışları BNC konektörleri.

### 6 Mini-B USB portu

Mac OS X veya Windows bilgisayarınız üzerinden, Converters Setup yazılımına bağlanır. Mini Converter'in dahili yazılımı da USB portu kullanılarak güncellenir.

### 7 SDI LOOP

Giriş videonuzun doğrudan çıkışı.

### 8 SDI GİRİŞİ

SDI girişi.

### 9 REF GİRİŞİ

Referans video girişi.

### 10 Güç +12V

12 volt güç kaynağı girişi.

## Anahtarlar

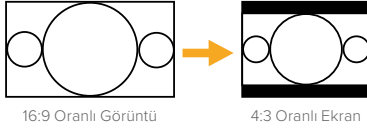
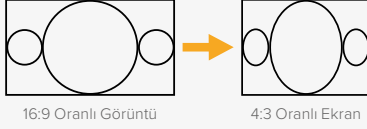
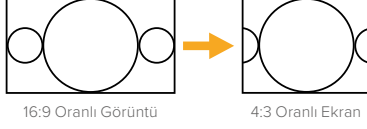
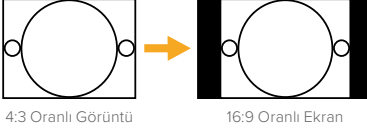
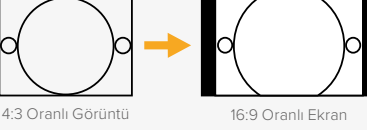
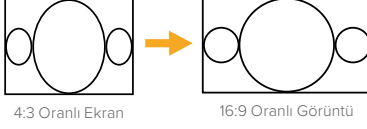
Mini Converter UpDownCross'un anahtarları, aşağıdaki ayarları sunar:

### Anahtar 8 - Görüntü Oranı Dönüşümü

Yukarı veya aşağı dönüşüm işlemi yapılırken, 8 ve 7 numaralı anahtarların kombinasyonları, video görüntü oranını ayarlar. Örneğin, aşağı dönüşüm yaparken, letterbox görüntü oranını uygulamak için, 8 ve 7 numaralı anahtarları OFF konumuna getirin.



## Görüntü Oranı Dönüşüm Tablosu

Aşağı Dönüşüm		Anahtar 8	Anahtar 7	Anahtar (Switch) Şeması
Letterbox	 16:9 Oranlı Görüntü → 4:3 Oranlı Ekran	KAPALI	KAPALI	ON <input type="checkbox"/> <input type="checkbox"/> <input type="checkbox"/> <input type="checkbox"/> <input type="checkbox"/> <input type="checkbox"/> <input type="checkbox"/> <input type="checkbox"/> OFF <input checked="" type="checkbox"/> <input type="checkbox"/> <input type="checkbox"/> <input type="checkbox"/> <input type="checkbox"/> <input type="checkbox"/> <input type="checkbox"/> <input type="checkbox"/> 8 7 6 5 4 3 2 1
Anamorfik	 16:9 Oranlı Görüntü → 4:3 Oranlı Ekran	KAPALI	AÇIK	ON <input type="checkbox"/> <input type="checkbox"/> <input type="checkbox"/> <input type="checkbox"/> <input type="checkbox"/> <input type="checkbox"/> <input type="checkbox"/> <input type="checkbox"/> OFF <input checked="" type="checkbox"/> <input type="checkbox"/> <input type="checkbox"/> <input type="checkbox"/> <input type="checkbox"/> <input type="checkbox"/> <input type="checkbox"/> <input type="checkbox"/> 8 7 6 5 4 3 2 1
Center Cut	 16:9 Oranlı Görüntü → 4:3 Oranlı Ekran	AÇIK	AÇIK	ON <input checked="" type="checkbox"/> <input type="checkbox"/> <input type="checkbox"/> <input type="checkbox"/> <input type="checkbox"/> <input type="checkbox"/> <input type="checkbox"/> <input type="checkbox"/> OFF <input type="checkbox"/> <input type="checkbox"/> <input type="checkbox"/> <input type="checkbox"/> <input type="checkbox"/> <input type="checkbox"/> <input type="checkbox"/> <input type="checkbox"/> 8 7 6 5 4 3 2 1
Yukarı Dönüşüm		Anahtar 8	Anahtar 7	Anahtar (Switch) Şeması
4:3 Pillarbox	 4:3 Oranlı Görüntü → 16:9 Oranlı Ekran	KAPALI	KAPALI	ON <input type="checkbox"/> <input type="checkbox"/> <input type="checkbox"/> <input type="checkbox"/> <input type="checkbox"/> <input type="checkbox"/> <input type="checkbox"/> <input type="checkbox"/> OFF <input checked="" type="checkbox"/> <input type="checkbox"/> <input type="checkbox"/> <input type="checkbox"/> <input type="checkbox"/> <input type="checkbox"/> <input type="checkbox"/> <input type="checkbox"/> 8 7 6 5 4 3 2 1
14:9 Pillarbox	 4:3 Oranlı Görüntü → 16:9 Oranlı Ekran	KAPALI	AÇIK	ON <input type="checkbox"/> <input type="checkbox"/> <input type="checkbox"/> <input type="checkbox"/> <input type="checkbox"/> <input type="checkbox"/> <input type="checkbox"/> <input type="checkbox"/> OFF <input checked="" type="checkbox"/> <input type="checkbox"/> <input type="checkbox"/> <input type="checkbox"/> <input type="checkbox"/> <input type="checkbox"/> <input type="checkbox"/> <input type="checkbox"/> 8 7 6 5 4 3 2 1
16:9 De-Squeeze (Anamorfik Germe)	 4:3 Oranlı Ekran → 16:9 Oranlı Görüntü	AÇIK	AÇIK	ON <input checked="" type="checkbox"/> <input type="checkbox"/> <input type="checkbox"/> <input type="checkbox"/> <input type="checkbox"/> <input type="checkbox"/> <input type="checkbox"/> <input type="checkbox"/> OFF <input type="checkbox"/> <input type="checkbox"/> <input type="checkbox"/> <input type="checkbox"/> <input type="checkbox"/> <input type="checkbox"/> <input type="checkbox"/> <input type="checkbox"/> 8 7 6 5 4 3 2 1

8 ve 7 numaralı anahtarların, yukarı ve aşağı dönüşüm işlemleri için, bazı ayarları paylaştıklarını fark etmiş olabilirsiniz. Bunun sebebi, görüntü oranı ayarlarının çıkış ayarları tarafından belirlenmesidir. Örneğin, 3 ve 2 numaralı anahtarları 1080i50 HD çıkışı için ve 1. işleme anahtarını da ON olarak ayarladıysanız; Mini Converter UpDownCross cihazı, 8. ve 7. anahtarları aşağı dönüşüm işlemine ayarlayacaktır.

Görüntü oranı dönüşümlerinin her biri için tanımlar aşağıdadır:

### Yukarı Dönüşüm

- **4:3 Pillarbox:** Bu ayar, yüksek tanımlı 16:9 çerçevesi içinde 4:3 standart tanımlı görüntü oranını sergiler. Siyah çubuklar kenarlarda görünür.
- **14:9 Pillarbox:** Bu ayar, 4:3 Pillarbox ile 16:9 zoom arasında bir düzendir. Standart tanımlı 4:3 oranındaki görüntüye hafif optik yakınlaştırma uygulanır, böylece 16:9 çerçevesinde görüntünün daha fazlasının görünmesi sağlanır ve yanlardaki siyah çubukların miktarı azaltılırken, üstten ve alttan görüntüde az miktarda kayıp oluşur.
- **16:9 De-Squeeze (Anamorfik Germe):** Bu ayar, 16:9 çerçevesini tamamen dolduruncaya kadar, standart tanımlı 4:3 anamorfik görüntüye germe işlemi uygular. 4:3 görüntüsünde hiçbir kayıp olmaz.

### Aşağı Dönüşüm

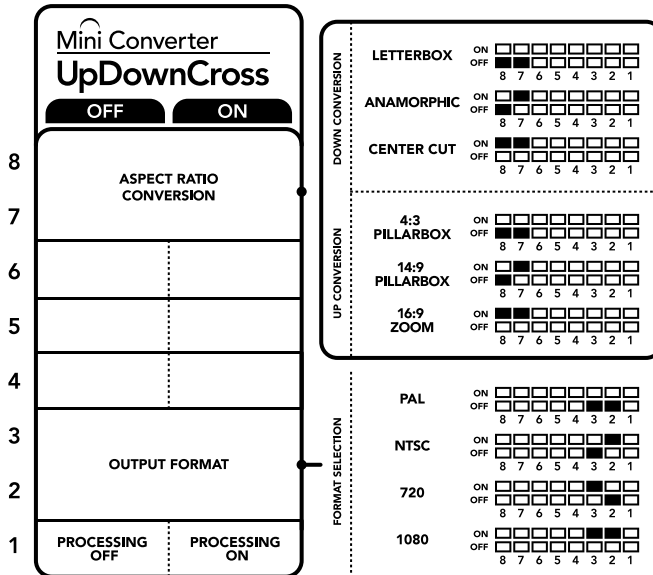
- **Letterbox:** Bu ayar, 16:9 HD görüntünün tamamını, sıkıştırmadan bir 4:3 SD çerçevesine ölçekler. Görüntünün üstünde ve altında siyah çubuklar oluşur.
- **Anamorfik:** Bu ayar 16:9 HD görüntüyü, bir 4:3 SD çerçevesine yatay modda sıkıştırır.
- **Center Cut:** Bu ayar, 16:9 HD görüntüden bir 4:3 SD çerçevesi çıkarır. Bu görüntü oranı ayarı, 16:9 görüntünün her iki yanından belirli bir miktar keser.

### Anahtar 1 - Processing Off (İşlem Kapalı) - Processing On (İşlem Açık)

1. anahtar 'OFF' konumundayken tüm dönüşümler atlanır ve Mini Converter cihazı, videonuzu altı SDI cihazına dağıtmak için kullanılabilir.

### Mini Anahtar Ayarları Örneği:

8. ve 7. anahtarları 'OFF' konumuna ve 3, 2 ve 1 numaralı anahtarları 'ON' konumuna getirerek çeviriciyi, 4:3 625i50 videoyu, 4:3 Pillarbox görüntü oranı ile 1080i50'ye yukarı dönüştürmesi için ayarlayabilirsiniz.

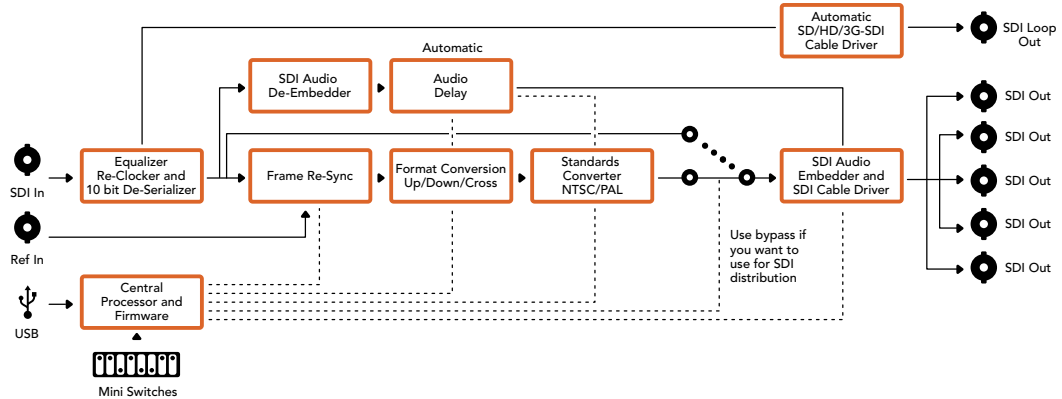


Çeviricinizin altındaki anahtar açıklamaları, dönüşüm ayarlarını değiştirmeniz için ihtiyacınız olan tüm bilgileri sunar.

## Mini Converter UpDownCross Dönüşüm Tablosu

Giriş Videosu	NTSC Anahtarlar 1 ve 2 ON	PAL Anahtar 1 ON	720p Anahtarlar 1 ve 3 ON	1080 Anahtarlar 1, 2 ve 3 ON
525i59.94	525i59.94	625i50	720p59.94	1080i59.94
625i50	525i59.94	625i50	720p50	1080i50
720p50	525i59.94	625i50	720p50	1080i50
720p59.94	525i59.94	625i50	720p59.94	1080i59.94
720p60	525i59.94	625i50	720p60	1080i60
1080PsF23.98	525i59.94	625i50	720p59.94	1080PsF23.98
1080p23.98	525i59.94	625i50	720p59.94	1080p23.98
1080PsF24	525i59.94	625i50	720p50	1080PsF24
1080p24	525i59.94	625i50	720p50	1080p24
1080p25	525i59.94	625i50	720p50	1080p25
1080p29.97	525i59.94	625i50	720p59.94	1080p29.97
1080p30	525i59.94	625i50	720p60	1080p30
1080i50	525i59.94	625i50	720p50	1080i50
1080i59.94	525i59.94	625i50	720p59.94	1080i59.94
1080i60	525i59.94	625i50	720p60	1080i60
1080p50	525i59.94	625i50	720p50	1080p50
1080p59.94	525i59.94	625i50	720p59.94	1080p59.94
1080p60	525i59.94	625i50	720p60	1080p60
2048x1556PsF23.98	525i59.94	625i50	2048x1556PsF23.98	2048x1556PsF23.98
2048x1556PsF24	525i59.94	625i50	2048x1556PsF24	2048x1556PsF24
2048x1556PsF25	525i59.94	625i50	2048x1556PsF25	2048x1556PsF25

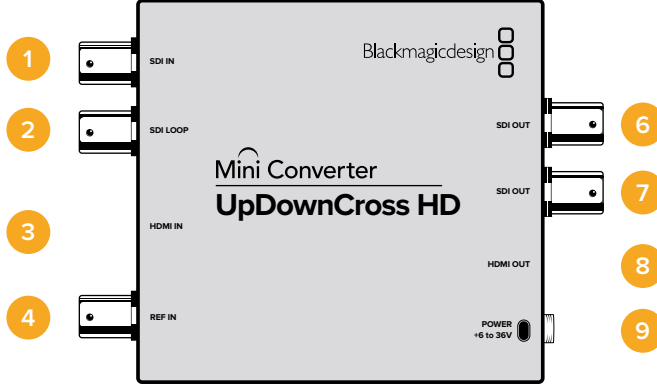
## Mini Converter UpDownCross Blok Şeması



## Mini Converter UpDownCross HD

Mini Converter UpDownCross HD, SDI ve HDMI üzerinden yukarı, aşağı veya çapraz dönüşüm işlemiyle, her türlü SD veya HD video formatını dönüştürmenizi sağlayan güçlü bir standart çeviricisidir. Bu çevirici, yukarı ve aşağı dönüşüm işlemleri için görüntü oranı seçenekleriyle; 1080p60'a kadar tüm SD ve HD, NTSC ve PAL formatlarını destekler. HDMI girişi ayrıca; 1024 x 768, 800 x 600 ve 640 x 480 bilgisayar çıkış çözümlüklerini kabul eder.

Dönüşüm işleme modu 'OFF' olarak ayarlı olduğunda, HDMI ve SDI çıkışlarının her ikisi düz geçiş çıkışına dönüşür. Yani, giriş sinyalini başka HDMI ve SDI ekipmana iletebilirsiniz.



## Konektörler

### 1 SDI GİRİŞİ

SDI girişi. Kilitli bir SDI sinyali tespit edildiğinde, BNC konektörünün yanındaki küçük LED aydınlanır. SDI ve HDMI girişlerinin her ikisi bağlı olduğunda, SDI girişine öncelik tanınır.

### 2 SDI LOOP

SDI giriş videonuzun direkt döngü çıkışı.

### 3 HDMI GİRİŞİ

HDMI A tipi video girişi. Geçerli bir HDMI girişi tespit edildiğinde, HDMI GİRİŞ konektörünün yanındaki küçük LED aydınlanacaktır.

### 4 REF GİRİŞİ

Referans video girişi. REF GİRİŞİ konektörünün yanındaki küçük bir LED, referans kilitleme durumunu belirtir:

**Sabit beyaz** - REF GİRİŞİ çevirici üzerinde ayarlı olan çıkış video formatıyla eşleşir.

**Yanıp sönen beyaz** - REF GİRİŞİ geçerli bir video formatıdır ancak, çevirici üzerinde ayarlı olan çıkış video formatıyla eşleşmez.

### 5 USB-C PORTU

Mac OS X veya Windows bilgisayarınız üzerinden, Converters Setup yazılımına bağlanır. Mini Converter'in dahili yazılımı da USB portu kullanılarak güncellenir.

### 6-7 SDI ÇIKIŞI

SDI video çıkışı BNC konektörleri.

### 8 HDMI ÇIKIŞI

HDMI A tipi video çıkışı.

### 9 GÜÇ +6 İLA 36V

6 ila 36 volt güç kaynağı girişi. Bağlantının yanlışlıkla kesilmesini önlemek için, destek vidası ünitenin güç konektörüne sabitlenebilir. Elektriğin bağlı olduğunu göstermek için, DC jak girişinin yanındaki küçük LED aydınlanır.

## Anahtarlar

Mini Converter UpDownCross HD'nin anahtarları, aşağıdaki ayarları sunar:

### Anahtar 1 - Processing Off (İşlem Kapalı) - Processing On (İşlem Açık)

1. anahtar 'OFF' konumundayken, tüm dönüşümler atlanır ve videonuzu hem SDI hem de HDMI çıkışları üzerinden dağıtmak için çevirici kullanılabilir.

1. anahtar 'OFF' konumundayken, SDI ve HDMI çıkışları, kendilerine tekabül eden girişlerle eşleşir.

1. anahtar 'ON' konumundayken, işleme modu etkinleştirilir ve 4 ila 8 numaralı anahtarlar çeviricinin çıkışını yapılandırır.

### Anahtar 2 – A Seviye ve B Seviye 3G-SDI

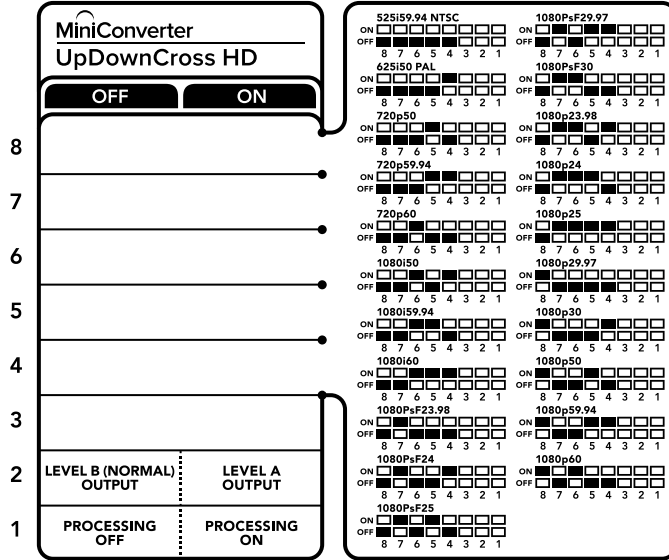
2. anahtar 'OFF' konumundayken, çevirici B seviye 3G-SDI çıkarır. 'ON' konumundayken, çevirici A seviye 3G-SDI çıkarır. Bu, A seviye veya B seviye 3G-SDI kullanan diğer SDI ekipman ile uyumluluk sağlar.

**BİLGİ** 3G-SDI ekipmana bir 3G-SDI sinyal bağladıysanız ve sinyal tespit edilemiyorsa, bağlı olduğunuz ekipman başka bir SDI seviyesi kullanıyor olabileceğinden, 2. anahtarın ayarını değiştirmeyi deneyin.

### Anahtarlar 4 - 8

4 ila 8 anahtarları çeviricinin çıkış sinyalinin formatını ve standardını belirler. Her bir format ve standart için olan anahtar düzeni, cihazın tabanındaki tabloda gösterilir.

Mini Anahtar Ayarları Örneği:



## Video Format Seçim Tablosu

Video Formatı	Anahtar 8	Anahtar 7	Anahtar 6	Anahtar 5	Anahtar 4	Anahtar (Switch) Şeması
525i59.94 NTSC	KAPALI	KAPALI	KAPALI	KAPALI	KAPALI	ON <input type="checkbox"/> <input type="checkbox"/> <input type="checkbox"/> <input type="checkbox"/> <input type="checkbox"/> <input type="checkbox"/> <input type="checkbox"/> <input type="checkbox"/> OFF <input checked="" type="checkbox"/> <input checked="" type="checkbox"/> <input checked="" type="checkbox"/> <input checked="" type="checkbox"/> <input checked="" type="checkbox"/> <input checked="" type="checkbox"/> <input checked="" type="checkbox"/> <input checked="" type="checkbox"/> 8 7 6 5 4 3 2 1
625i50 PAL	KAPALI	KAPALI	KAPALI	KAPALI	AÇIK	ON <input type="checkbox"/> <input type="checkbox"/> <input type="checkbox"/> <input type="checkbox"/> <input type="checkbox"/> <input type="checkbox"/> <input type="checkbox"/> <input type="checkbox"/> OFF <input checked="" type="checkbox"/> <input checked="" type="checkbox"/> <input checked="" type="checkbox"/> <input checked="" type="checkbox"/> <input checked="" type="checkbox"/> <input checked="" type="checkbox"/> <input checked="" type="checkbox"/> <input checked="" type="checkbox"/> 8 7 6 5 4 3 2 1
720p50	KAPALI	KAPALI	KAPALI	AÇIK	KAPALI	ON <input type="checkbox"/> <input type="checkbox"/> <input type="checkbox"/> <input type="checkbox"/> <input type="checkbox"/> <input type="checkbox"/> <input type="checkbox"/> <input type="checkbox"/> OFF <input checked="" type="checkbox"/> <input checked="" type="checkbox"/> <input checked="" type="checkbox"/> <input checked="" type="checkbox"/> <input checked="" type="checkbox"/> <input checked="" type="checkbox"/> <input checked="" type="checkbox"/> <input checked="" type="checkbox"/> 8 7 6 5 4 3 2 1
720p59.94	KAPALI	KAPALI	KAPALI	AÇIK	AÇIK	ON <input type="checkbox"/> <input type="checkbox"/> <input checked="" type="checkbox"/> <input checked="" type="checkbox"/> <input checked="" type="checkbox"/> <input checked="" type="checkbox"/> <input checked="" type="checkbox"/> <input checked="" type="checkbox"/> OFF <input checked="" type="checkbox"/> <input checked="" type="checkbox"/> <input checked="" type="checkbox"/> <input checked="" type="checkbox"/> <input checked="" type="checkbox"/> <input checked="" type="checkbox"/> <input checked="" type="checkbox"/> <input checked="" type="checkbox"/> 8 7 6 5 4 3 2 1
720p60	KAPALI	KAPALI	AÇIK	KAPALI	AÇIK	ON <input type="checkbox"/> <input type="checkbox"/> <input checked="" type="checkbox"/> <input checked="" type="checkbox"/> <input checked="" type="checkbox"/> <input checked="" type="checkbox"/> <input checked="" type="checkbox"/> <input checked="" type="checkbox"/> OFF <input checked="" type="checkbox"/> <input checked="" type="checkbox"/> <input checked="" type="checkbox"/> <input checked="" type="checkbox"/> <input checked="" type="checkbox"/> <input checked="" type="checkbox"/> <input checked="" type="checkbox"/> <input checked="" type="checkbox"/> 8 7 6 5 4 3 2 1
1080i50	KAPALI	KAPALI	AÇIK	KAPALI	AÇIK	ON <input type="checkbox"/> <input type="checkbox"/> <input checked="" type="checkbox"/> <input checked="" type="checkbox"/> <input checked="" type="checkbox"/> <input checked="" type="checkbox"/> <input checked="" type="checkbox"/> <input checked="" type="checkbox"/> OFF <input checked="" type="checkbox"/> <input checked="" type="checkbox"/> <input checked="" type="checkbox"/> <input checked="" type="checkbox"/> <input checked="" type="checkbox"/> <input checked="" type="checkbox"/> <input checked="" type="checkbox"/> <input checked="" type="checkbox"/> 8 7 6 5 4 3 2 1
1080i59.94	KAPALI	KAPALI	AÇIK	AÇIK	KAPALI	ON <input type="checkbox"/> <input type="checkbox"/> <input checked="" type="checkbox"/> <input checked="" type="checkbox"/> <input checked="" type="checkbox"/> <input checked="" type="checkbox"/> <input checked="" type="checkbox"/> <input checked="" type="checkbox"/> OFF <input checked="" type="checkbox"/> <input checked="" type="checkbox"/> <input checked="" type="checkbox"/> <input checked="" type="checkbox"/> <input checked="" type="checkbox"/> <input checked="" type="checkbox"/> <input checked="" type="checkbox"/> <input checked="" type="checkbox"/> 8 7 6 5 4 3 2 1
1080i60	KAPALI	KAPALI	AÇIK	AÇIK	AÇIK	ON <input type="checkbox"/> <input type="checkbox"/> <input checked="" type="checkbox"/> <input checked="" type="checkbox"/> <input checked="" type="checkbox"/> <input checked="" type="checkbox"/> <input checked="" type="checkbox"/> <input checked="" type="checkbox"/> OFF <input checked="" type="checkbox"/> <input checked="" type="checkbox"/> <input checked="" type="checkbox"/> <input checked="" type="checkbox"/> <input checked="" type="checkbox"/> <input checked="" type="checkbox"/> <input checked="" type="checkbox"/> <input checked="" type="checkbox"/> 8 7 6 5 4 3 2 1
1080PsF23.98	KAPALI	AÇIK	KAPALI	KAPALI	KAPALI	ON <input checked="" type="checkbox"/> <input checked="" type="checkbox"/> <input checked="" type="checkbox"/> <input checked="" type="checkbox"/> <input checked="" type="checkbox"/> <input checked="" type="checkbox"/> <input checked="" type="checkbox"/> <input checked="" type="checkbox"/> OFF <input type="checkbox"/> <input type="checkbox"/> <input type="checkbox"/> <input type="checkbox"/> <input type="checkbox"/> <input type="checkbox"/> <input type="checkbox"/> <input type="checkbox"/> 8 7 6 5 4 3 2 1
1080PsF24	KAPALI	AÇIK	KAPALI	KAPALI	AÇIK	ON <input type="checkbox"/> <input type="checkbox"/> <input checked="" type="checkbox"/> <input checked="" type="checkbox"/> <input checked="" type="checkbox"/> <input checked="" type="checkbox"/> <input checked="" type="checkbox"/> <input checked="" type="checkbox"/> OFF <input checked="" type="checkbox"/> <input checked="" type="checkbox"/> <input checked="" type="checkbox"/> <input checked="" type="checkbox"/> <input checked="" type="checkbox"/> <input checked="" type="checkbox"/> <input checked="" type="checkbox"/> <input checked="" type="checkbox"/> 8 7 6 5 4 3 2 1
1080PsF25	KAPALI	AÇIK	KAPALI	AÇIK	KAPALI	ON <input checked="" type="checkbox"/> <input checked="" type="checkbox"/> <input checked="" type="checkbox"/> <input checked="" type="checkbox"/> <input checked="" type="checkbox"/> <input checked="" type="checkbox"/> <input checked="" type="checkbox"/> <input checked="" type="checkbox"/> OFF <input type="checkbox"/> <input type="checkbox"/> <input type="checkbox"/> <input type="checkbox"/> <input type="checkbox"/> <input type="checkbox"/> <input type="checkbox"/> <input type="checkbox"/> 8 7 6 5 4 3 2 1
1080PsF29.97	KAPALI	AÇIK	KAPALI	AÇIK	AÇIK	ON <input type="checkbox"/> <input type="checkbox"/> <input checked="" type="checkbox"/> <input checked="" type="checkbox"/> <input checked="" type="checkbox"/> <input checked="" type="checkbox"/> <input checked="" type="checkbox"/> <input checked="" type="checkbox"/> OFF <input checked="" type="checkbox"/> <input checked="" type="checkbox"/> <input checked="" type="checkbox"/> <input checked="" type="checkbox"/> <input checked="" type="checkbox"/> <input checked="" type="checkbox"/> <input checked="" type="checkbox"/> <input checked="" type="checkbox"/> 8 7 6 5 4 3 2 1
1080PsF30	KAPALI	AÇIK	AÇIK	KAPALI	KAPALI	ON <input checked="" type="checkbox"/> <input checked="" type="checkbox"/> <input checked="" type="checkbox"/> <input checked="" type="checkbox"/> <input checked="" type="checkbox"/> <input checked="" type="checkbox"/> <input checked="" type="checkbox"/> <input checked="" type="checkbox"/> OFF <input type="checkbox"/> <input type="checkbox"/> <input type="checkbox"/> <input type="checkbox"/> <input type="checkbox"/> <input type="checkbox"/> <input type="checkbox"/> <input type="checkbox"/> 8 7 6 5 4 3 2 1
1080p23.98	KAPALI	AÇIK	AÇIK	KAPALI	AÇIK	ON <input type="checkbox"/> <input type="checkbox"/> <input checked="" type="checkbox"/> <input checked="" type="checkbox"/> <input checked="" type="checkbox"/> <input checked="" type="checkbox"/> <input checked="" type="checkbox"/> <input checked="" type="checkbox"/> OFF <input checked="" type="checkbox"/> <input checked="" type="checkbox"/> <input checked="" type="checkbox"/> <input checked="" type="checkbox"/> <input checked="" type="checkbox"/> <input checked="" type="checkbox"/> <input checked="" type="checkbox"/> <input checked="" type="checkbox"/> 8 7 6 5 4 3 2 1
1080p24	KAPALI	AÇIK	AÇIK	AÇIK	KAPALI	ON <input checked="" type="checkbox"/> <input checked="" type="checkbox"/> <input checked="" type="checkbox"/> <input checked="" type="checkbox"/> <input checked="" type="checkbox"/> <input checked="" type="checkbox"/> <input checked="" type="checkbox"/> <input checked="" type="checkbox"/> OFF <input type="checkbox"/> <input type="checkbox"/> <input type="checkbox"/> <input type="checkbox"/> <input type="checkbox"/> <input type="checkbox"/> <input type="checkbox"/> <input type="checkbox"/> 8 7 6 5 4 3 2 1
1080p25	KAPALI	AÇIK	AÇIK	AÇIK	AÇIK	ON <input type="checkbox"/> <input type="checkbox"/> <input checked="" type="checkbox"/> <input checked="" type="checkbox"/> <input checked="" type="checkbox"/> <input checked="" type="checkbox"/> <input checked="" type="checkbox"/> <input checked="" type="checkbox"/> OFF <input checked="" type="checkbox"/> <input checked="" type="checkbox"/> <input checked="" type="checkbox"/> <input checked="" type="checkbox"/> <input checked="" type="checkbox"/> <input checked="" type="checkbox"/> <input checked="" type="checkbox"/> <input checked="" type="checkbox"/> 8 7 6 5 4 3 2 1
1080p29.97	KAPALI	AÇIK	AÇIK	AÇIK	KAPALI	ON <input type="checkbox"/> <input type="checkbox"/> <input checked="" type="checkbox"/> <input checked="" type="checkbox"/> <input checked="" type="checkbox"/> <input checked="" type="checkbox"/> <input checked="" type="checkbox"/> <input checked="" type="checkbox"/> OFF <input checked="" type="checkbox"/> <input checked="" type="checkbox"/> <input checked="" type="checkbox"/> <input checked="" type="checkbox"/> <input checked="" type="checkbox"/> <input checked="" type="checkbox"/> <input checked="" type="checkbox"/> 8 7 6 5 4 3 2 1
1080p30	AÇIK	KAPALI	KAPALI	KAPALI	AÇIK	ON <input checked="" type="checkbox"/> <input checked="" type="checkbox"/> <input checked="" type="checkbox"/> <input checked="" type="checkbox"/> <input checked="" type="checkbox"/> <input checked="" type="checkbox"/> <input checked="" type="checkbox"/> <input checked="" type="checkbox"/> OFF <input type="checkbox"/> <input type="checkbox"/> <input type="checkbox"/> <input type="checkbox"/> <input type="checkbox"/> <input type="checkbox"/> <input type="checkbox"/> <input type="checkbox"/> 8 7 6 5 4 3 2 1
1080p50	AÇIK	KAPALI	KAPALI	AÇIK	KAPALI	ON <input checked="" type="checkbox"/> <input checked="" type="checkbox"/> <input checked="" type="checkbox"/> <input checked="" type="checkbox"/> <input checked="" type="checkbox"/> <input checked="" type="checkbox"/> <input checked="" type="checkbox"/> <input checked="" type="checkbox"/> OFF <input type="checkbox"/> <input type="checkbox"/> <input type="checkbox"/> <input type="checkbox"/> <input type="checkbox"/> <input type="checkbox"/> <input type="checkbox"/> <input type="checkbox"/> 8 7 6 5 4 3 2 1
1080p59.94	AÇIK	KAPALI	KAPALI	AÇIK	AÇIK	ON <input type="checkbox"/> <input type="checkbox"/> <input checked="" type="checkbox"/> <input checked="" type="checkbox"/> <input checked="" type="checkbox"/> <input checked="" type="checkbox"/> <input checked="" type="checkbox"/> <input checked="" type="checkbox"/> OFF <input checked="" type="checkbox"/> <input checked="" type="checkbox"/> <input checked="" type="checkbox"/> <input checked="" type="checkbox"/> <input checked="" type="checkbox"/> <input checked="" type="checkbox"/> <input checked="" type="checkbox"/> <input checked="" type="checkbox"/> 8 7 6 5 4 3 2 1
1080p60	AÇIK	KAPALI	AÇIK	KAPALI	KAPALI	ON <input checked="" type="checkbox"/> <input checked="" type="checkbox"/> <input checked="" type="checkbox"/> <input checked="" type="checkbox"/> <input checked="" type="checkbox"/> <input checked="" type="checkbox"/> <input checked="" type="checkbox"/> <input checked="" type="checkbox"/> OFF <input type="checkbox"/> <input type="checkbox"/> <input type="checkbox"/> <input type="checkbox"/> <input type="checkbox"/> <input type="checkbox"/> <input type="checkbox"/> <input type="checkbox"/> 8 7 6 5 4 3 2 1

## Converter Setup Eklentisi

Blackmagic Converters Setup eklentisi, görüntü oranı gibi ayarları değiştirmek ve Mini Converter cihazınızın yazılımını güncellemek için kullanılabilir. Mini Converter kapalı olduğu durumlarda bile, tüm eklenti ayarları muhafaza edilir. Bu ayarlara; 'video', 'ses' (audio) ve 'hakkında' (about) sekmeleri arasında hareket ederek erişebilirsiniz.

'Hakkında' sekmesine ilişkin açıklayıcı bilgi, bu kılavuzun 'ayarların değiştirilmesi' bölümünde bulunur.

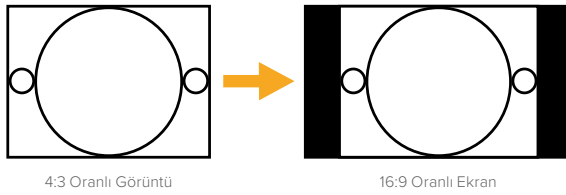
Mini Converter UpDownCross HD için 'video' sekmesi, aşağıdaki ayarları içerir:



Bir SD görüntü oranı seçmek için, Converters Setup eklentisindeki 'video' sekmesini kullanın.

### Standart Tanımlı için Görüntü Oranı

SD çıkışının görüntü oranı için bir opsiyon seçin. 4:3 pillar box veya 16:9 görüntü oranlarını seçebilirsiniz. Örneğin, giriş videonuz SD 4:3 ise; 16:9 çerçeve içinde orijinal 4:3 görüntü oranını muhafaza edebilmesi için, 4:3'ün seçilmesi 4:3 pillar boxed oranını çıkaracaktır. Ancak, giriş videonuz SD 16:9 ise; doğrudan bir 16:9 dönüşümünü çıkarmak için 16:9 opsiyonunu seçin.

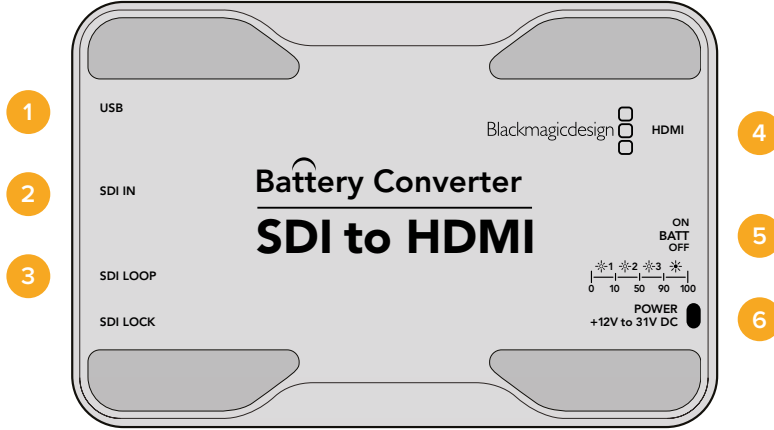


Setup eklentisindeki varsayılan görüntü oranı ayarı SD videoyu pillar box 4:3 olarak çıkarır ancak, gerektiği durumlarda; setup eklentisindeki 'video' sekmesinden 16:9 opsiyonunu seçerek, çeviriciyi 16:9 oranını muhafaza etmesi için ayarlayabilirsiniz.

# Blackmagic Battery Converter Cihazları

## Battery Converter SDI to HDMI

Battery Converter SDI to HDMI ile, SDI tabanlı ekipmana çok çeşitli HDMI ekran ve video projektörü bağlayabilirsiniz. Battery Converter SDI to HDMI cihazınız, SD/HD/3G-SDI standartlarını otomatik olarak tespit eder ve gömülü ses ile HDMI'ya dönüştürür. Battery Converter SDI to HDMI cihazı; dahili şarj edilebilir bir batarya ve uçak sınıfı alüminyum gövde ile korunan gömülü konektörler içerir.



## Konektörler

### 1 Mini-B USB Portu

Mac OS X veya Windows bilgisayarınız üzerinden, Blackmagic Converters Setup yazılımına bağlanır. Mini Converter'in dahili yazılımı da USB portu kullanılarak güncellenir.

### 2 SDI Girişi

Ana SDI girişi BNC konektörü.

### 3 SDI Loop

SDI girişi BNC konektörünün düz geçiş (Loop through) çıkışı.

### 4 HDMI

HDMI A tipi video çıkışı.

### 5 ON BATT OFF (BATARYA AÇIK KAPALI)

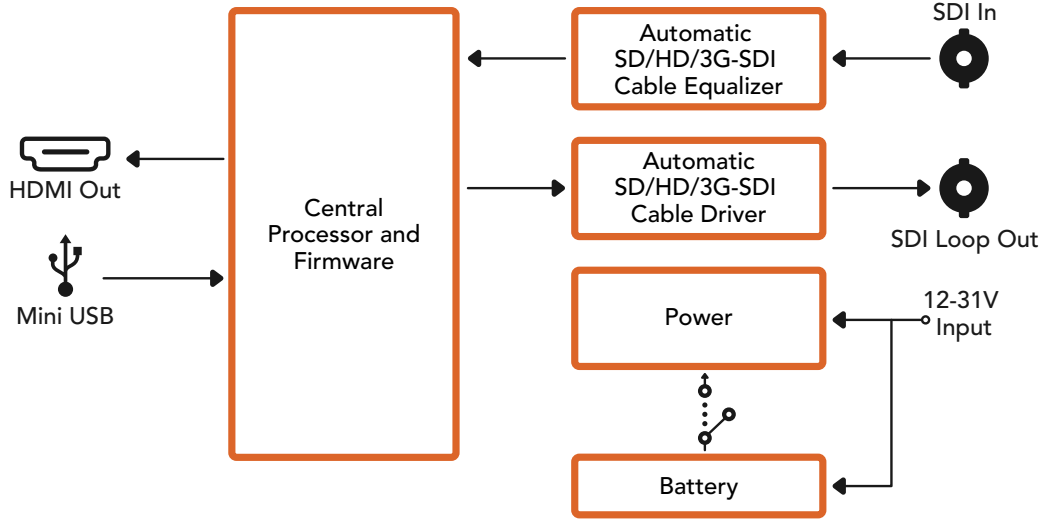
Batarya gücünü Açık veya Kapalı moda getirir. 'On' olarak ayarlandığında, harici gücün kesilmesi durumunda bile Battery Converter cihazı çalışmaya devam eder. 'Off' olarak ayarlandığında, dahili batarya gücünün tasarrufu için, yalnızca harici güç kullanılır. Anahtarın yanındaki LED bataryanın şarj seviyesini belirtmek için; yüzde 100 şarj durumunda aralıksız yanar, yüzde 50 ila 90 şarj durumunda üç kez yanıp söner, yüzde 10 ila 50 şarj durumunda iki kez yanıp söner ve yüzde 10'dan daha az şarj kaldığında bir kez yanıp söner.

### 6 Güç +12V

12 volt güç kaynağı girişi.

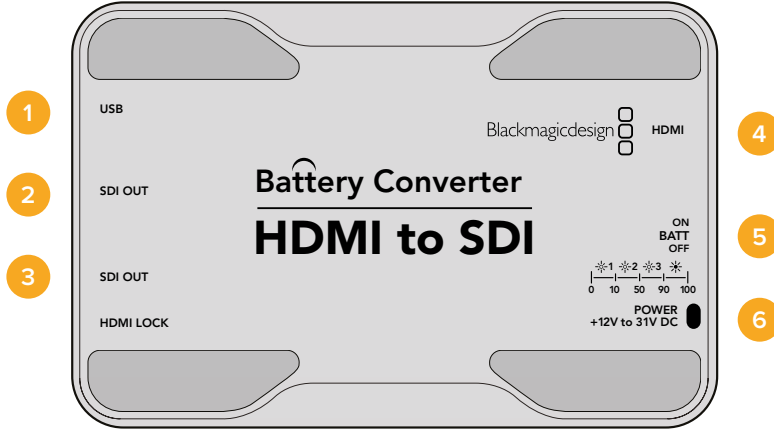


## Battery Converter SDI to HDMI Blok Şeması



## Battery Converter HDMI TO SDI

Battery Converter HDMI to SDI cihazı, HDV kameraları ve oyun konsolları gibi cihazların HDMI çıkışlarını SDI'ya dönüştürebilir. Böylece, en uzun SDI kablolarını kullanarak SDI üzerinden HDMI video sinyallerini gönderebilirsiniz. Hatta, HDMI uyumluluğu olan bilgisayarlara SDI çıkışları bile ilave edebilirsiniz. Battery Converter HDMI to SDI şarj edilebilir, dahili bir batarya içerir. Konektörleri gömüldür ve uçak sınıfı bir alüminyum gövdesi tarafından korunur.



## Konektörler

- 1 Mini-B USB Portu**  
Mac OS X veya Windows bilgisayarınız üzerinden, Blackmagic Converters Setup yazılımına bağlanır. Mini Converter'in dahili yazılımını da USB portu kullanılarak güncellenir.
- 2 SDI ÇIKIŞI**  
SDI video çıkışı BNC konektörü.
- 3 SDI ÇIKIŞI**  
İkinci SDI çıkışı.
- 4 HDMI**  
HDMI A tipi video girişi.

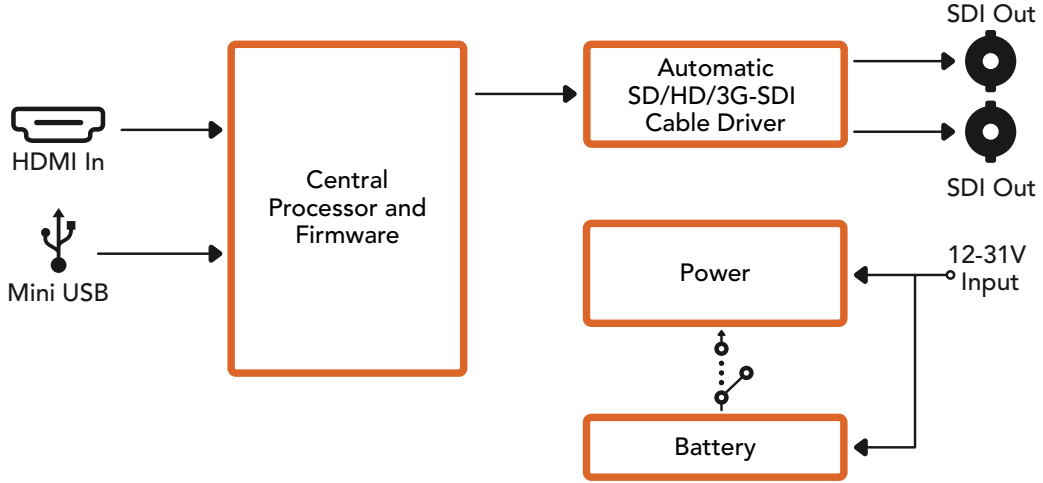
##### 5 ON BATT OFF (BATARYA AÇIK KAPALI)

Batarya gücünü Açık veya Kapalı moda getirir. 'On' olarak ayarlandığında, harici gücün kesilmesi durumunda bile Battery Converter cihazı çalışmaya devam eder. 'Off' olarak ayarlandığında, dahili batarya gücünün tasarrufu için, yalnızca harici güç kullanılır. Anahtarın yanındaki LED bataryanın şarj seviyesini belirtmek için; yüzde 100 şarj durumunda aralıksız yanar, yüzde 50 ila 90 şarj durumunda üç kez yanıp söner, yüzde 10 ila 50 şarj durumunda iki kez yanıp söner ve yüzde 10'dan daha az şarj kaldığında bir kez yanıp söner.

##### 6 Güç +12V

12 volt güç kaynağı girişi.

#### Battery Converter HDMI to SDI Blok Şeması



# Yardım

## Yardım İin

Yardım almanın en hızlı yolu, Blackmagic Design online destek sayfalarına girip, Blackmagic Converter cihazınız için mevcut olan en son destek kaynaklarını incelemenizdir.

### **Blackmagic Design Online Destek Sayfaları**

En g¼ncel kılavuz, yazılım ve destek notlarına, [www.blackmagicdesign.com/tr/support](http://www.blackmagicdesign.com/tr/support) adresindeki BlackmagicDesign destek merkezinden ulařılabilir.

### **Blackmagic Design Forum**

Web sitemizdeki Blackmagic Design forum sayfası, daha fazla bilgi ve yaratıcı fikirler için ziyaret edebileceğiniz faydalı bir kaynaktır. Burası yardım alabilemeniz için daha hızlı bir yol olabilir ¼nk¼, bařka deneyimli kullanıcılar ya da Blackmagic Design alıřanları tarafından sorularınıza yanıtlar bulabilir ve bu sayede alıřmalarınıza devam edebilirsiniz. Forumu <https://forum.blackmagicdesign.com> adresinden ulařabilirsiniz.

### **Blackmagic Design Destek Hizmetiyle İrtibat Kurma**

Aradıđınız yardımı destek kaynaklarında veya forumda bulamadığınız durumda, destek talebinde bulunmak üzere, l¼tfen destek sayfamızdaki "Bize e-posta g¼nderin" butonunu tıklayın. Bunun yerine, "Yerel destek ekibini arayın" butonunu tıklayabilir ve size en yakın olan Blackmagic Design destek ofisini arayabilirsiniz.

### **Y¼kl¼ Olan Yazılım S¼r¼m¼n¼n Kontrol Edilmesi**

Bilgisayarınızda Converter Setup yazılımının hangi s¼r¼m¼n¼n y¼kl¼ olduđunu kontrol etmek için, 'About Blackmagic Converter Setup' penceresini aın.

- Mac OS X'te, Blackmagic Converter Setup yazılımını, Applications (Uygulamalar) dosyasından aın. S¼r¼m numarasını g¼r¼nt¼lemek için, uygulamalar men¼s¼nden 'About Blackmagic Converter Setup'ı sein.
- Windows 7 bilgisayarlarında, Blackmagic Converter Setup yazılımını 'Start' men¼s¼nden aın. S¼r¼m numarasını g¼r¼nt¼lemek için 'Help' (Yardım) men¼s¼n¼ tıklayın ve 'About Blackmagic Converter Setup' ibaresini sein.
- Windows 8 bilgisayarlarında, 'Start' sayfasındaki Blackmagic Converter Setup bařlıđından, Blackmagic Converter Setup sekmesini aın. S¼r¼m numarasını g¼r¼nt¼lemek için 'Help' (Yardım) men¼s¼n¼ tıklayın ve 'About Blackmagic Converter Setup' ibaresini sein.

### **En Son G¼ncellemelere Eriřim**

Bilgisayarınızda y¼kl¼ olan Blackmagic Converters Setup yazılımının s¼r¼m¼n¼ kontrol ettikten sonra, en son g¼ncellemeler için l¼tfen [www.blackmagicdesign.com/tr/support](http://www.blackmagicdesign.com/tr/support) adresinden, Blackmagic Design destek merkezine bakınız. En son g¼ncellemelerle alıřmak faydalı olsa da yazılımı önemli bir projenin ortasındayken g¼ncellemekten kaınmanızda yarar vardır.

# Garanti

## Sınırlı Garanti

Blackmagic Design şirketi, satın alındığı tarihten itibaren 12 ay süre içinde malzeme ve işçilik bakımından arızasız olacak konnektörler, kablolar, fiber optik modüller, elektrik sigortaları ve bataryalar dahil olmamak şartıyla, Mini Converters ve Mini Converters Heavy Duty cihazlarının satın alındığı tarihten itibaren malzeme ve işçilik bakımından 36 ay boyunca arızasız olacağını garanti eder. Blackmagic Design şirketi, Battery Converters cihazlarının satın alındığı tarihten itibaren 12 ay boyunca malzeme ve işçilik bakımından kusursuz ve arızasız olacağını garanti eder. Üründe, bu garanti süresi içinde bir arıza ve kusur söz konusu olursa Blackmagic Design, kendi seçimi doğrultusunda ya arızalı ürünü parça ve işçilik bedeli talep etmeksizin tamir edecektir ya da arızalı ürünü yenisiyle değiştirecektir.

Bu garanti kapsamındaki hizmetten yararlanmak için, kusur ve hataya ilişkin garanti süresi sona ermeden, Müşteri Blackmagic Design'i bilgilendirmeli ve söz konusu hizmetin sağlanması için uygun düzenlemeleri yapmalıdır. Blackmagic Design tarafından özel belirlenmiş ve yetkilendirilmiş bir hizmet merkezine arızalı ürünün ambalajlanarak nakliyesi, Müşteri'nin sorumluluğudur ve nakliye ücretleri, peşin ödenmiş olmalıdır. Herhangi bir sebepten dolayı bize iade edilen ürünlerin; tüm nakliye, sigorta, gümrük vergileri, vergi ve tüm diğer masrafların ödenmesi, Müşteri sorumluluğu altındadır.

Bu garanti; yanlış kullanım ya da yanlış veya kusurlu bakımdan kaynaklanan herhangi bir arızayı, bozukluğu ya da hasarı kapsamaz. Blackmagic Design, burada açıklanan durumlarda bu garanti kapsamında hizmet sağlamak zorunda değildir: a) Blackmagic Design temsilcileri haricindeki başka personelin ürün kurma, tamir etme ya da bakımını yapma girişimlerinden kaynaklanan hasarın tamiri, b) uygun olmayan kullanım veya uyumlu olmayan ekipmanlara bağlamaktan kaynaklanan hasarın tamiri, c) Blackmagic Design ürünü olmayan parçaların ya da malzemenin kullanımından kaynaklanan hasarın ya da arızanın tamiri ya da d) Modifiye veya başka ürünlerle entegre edilmiş bir ürünü; söz konusu modifikasyon ya da entegrasyonun, gereken tamiratın süresini uzattığı ya da ürün bakımını zorlaştırdığı durumlarda tamir edilmesi. BU GARANTİ, BLACKMAGIC DESIGN TARAFINDAN VERİLMİŞTİR VE AÇIK YA DA ZİMNİ, HERHANGİ BİR GARANTİNİN YERİNİ TUTAR. BLACKMAGIC DESIGN VE SATICILARI, ZİMNİ TİCARİ UYGUNLUK GARANTİSİNİ YA DA ÖZEL BİR AMACA UYGUNLUK GARANTİSİNİ KABUL ETMEZ. KUSURLU BİR ÜRÜNÜN TAMİRİ VEYA DEĞİŞTİRİLMESİ, BLACKMAGIC DESIGN'İN MÜŞTERİLERİNE SUNDUĞU TAM VE MÜNHASİR ÇÖZÜMDÜR. BLACKMAGIC DESIGN YA DA SATICILARININ OLABİLECEK HASARLAR HAKKINDA ÖNCEDEN BİLGİSİ OLMASINI GÖZETMEKSİZİN, ÜRÜNDE DOLAYLI, ÖZEL, TESADÜFİ YA DA NETİCE OLARAK ORTAYA ÇIKAN HERHANGİ BİR HASAR İÇİN, BLACKMAGIC DESIGN SORUMLU DEĞİLDİR. BLACKMAGIC DESIGN, MÜŞTERİLER TARAFINDAN EKİPMANIN YASAL OLMAYAN HERHANGİ BİR KULLANIMINDAN SORUMLU DEĞİLDİR. BLACKMAGIC DESIGN, BU ÜRÜNÜN KULLANIMINDAN KAYNAKLANAN HERHANGİ BİR HASARDAN SORUMLU DEĞİLDİR. BU ÜRÜNÜN ÇALIŞTIRILMASINDAN DOĞAN RİSK, KULLANICININ KENDİSİNE AİTTİR.

© Telif Hakkı Saklıdır 2018 Blackmagic Design. Tüm hakları saklıdır. 'Blackmagic Design', 'DeckLink', 'HDLINK', 'Workgroup Videohub', 'Multibridge Pro', 'Multibridge Extreme', 'Intensity' ve 'Leading the creative video revolution', ABD ve diğer ülkelerde tescil edilmiş ticari markalardır. Diğer tüm şirket ve ürün isimleri, bağlantılı oldukları ilgili şirketlerin/firmaların ticari markaları olabilir.