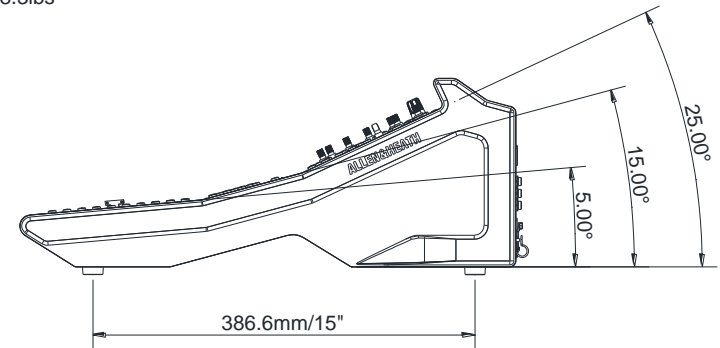
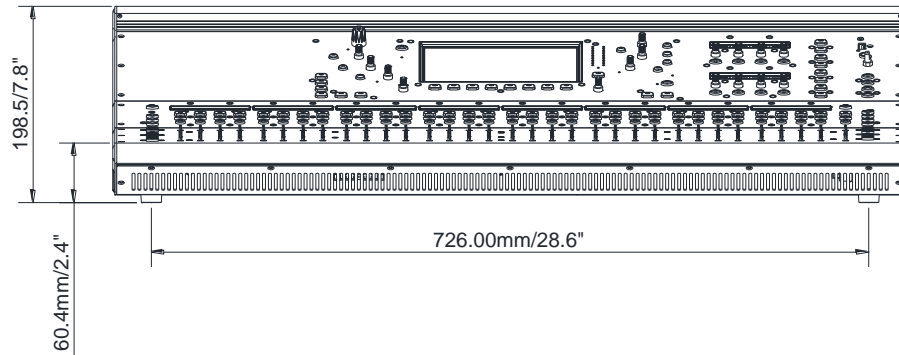


**SQ-7 - without box**  
 Width - 804mm/31.7"  
 Depth - 514.9mm/20.3"  
 Height - 198.5mm/7.8"  
 Weight - 17.8kg/39.3lbs

**SQ-7 - with box**  
 Width - 960mm/37.8"  
 Depth - 685mm/27"  
 Height - 360mm/14.2"  
 Weight - 21.9kg/48.3lbs



REVISION HISTORY					THIRD ANGLE PROJECTION	MATERIAL:  All materials to be compliant with The Restriction of Hazardous Substances (ROHS2) Directive 2011/65/EU  TOLERANCES U O S: GENERAL ± 0.25 HOLE CENTRES ± 0.10 HOLE SIZES ± 0.05 ANGULAR DIMS ± 0.50	FINISH:	DRAWING		ALLEN & HEATH Ltd.				
REV	DESCRIPTION	ECN	DATE	APPROVED				Main ASSY		KERNICK INDUSTRIAL ESTATE PENRYN CORNWALL TR10 9LU TELEPHONE 01326 372070 FACSIMILE 01326 370153				
A	ORIGIN		28/07/2017	ALEXMO				UNIT	SQ-7	DRAWING No	WEIGHTS AND MEASURES SQ-7	SHEET	1 of 1	ISSUE
								PART No	004-1041					