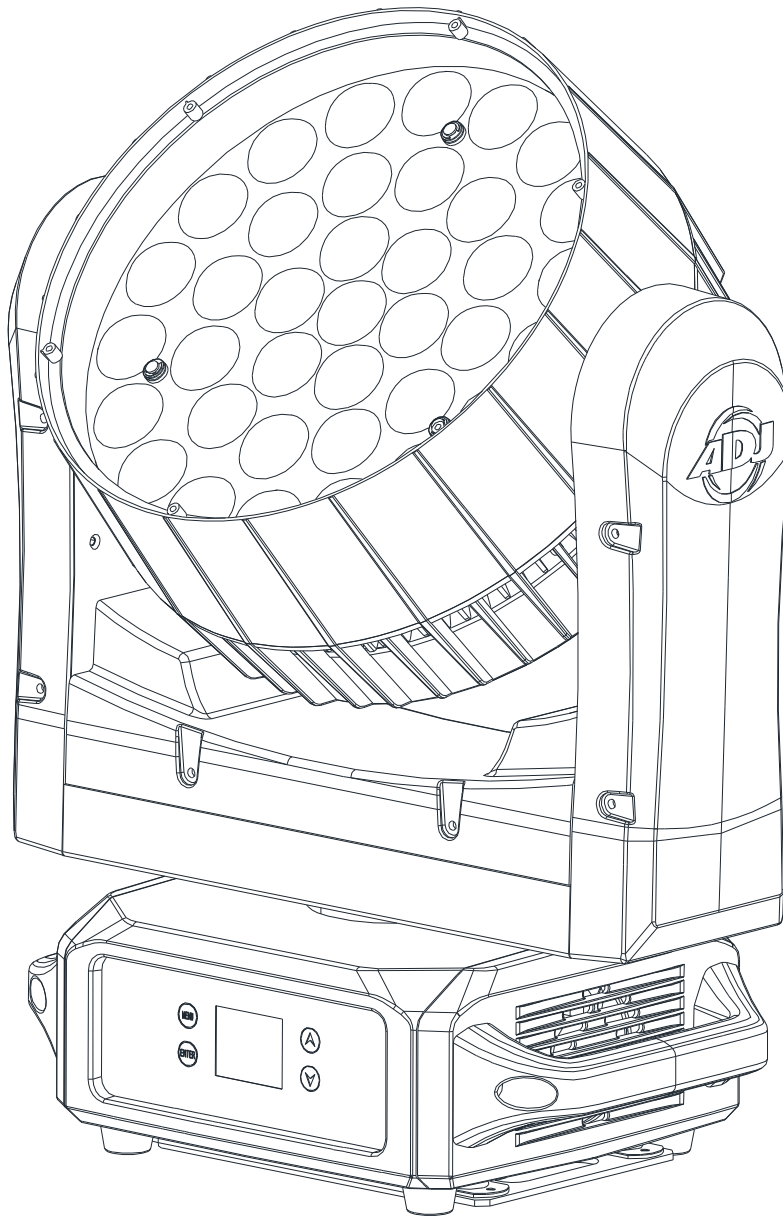




VIZI WASH Z37



User Instructions



©2020 ADJ Products, LLC all rights reserved. Information, specifications, diagrams, images, and instructions herein are subject to change without notice. ADJ Products, LLC logo and identifying product names and numbers herein are trademarks of ADJ Products, LLC. Copyright protection claimed includes all forms and matters of copyrightable materials and information now allowed by statutory or judicial law or hereinafter granted. Product names used in this document may be trademarks or registered trademarks of their respective companies and are hereby acknowledged. All non-ADJ Products, LLC brands and product names are trademarks or registered trademarks of their respective companies.

ADJ Products, LLC and all affiliated companies hereby disclaim any and all liabilities for property, equipment, building, and electrical damages, injuries to any persons, and direct or indirect economic loss associated with the use or reliance of any information contained within this document, and/or as a result of the improper, unsafe, insufficient and negligent assembly, installation, rigging, and operation of this product.

FCC STATEMENT

This device complies with Part 15 of the FCC Rules. Operation is subject to the following two conditions: (1) this device may not cause harmful interference, and (2) this device must accept any interference received, including interference that may cause undesired operation.

FCC RADIO FREQUENCY INTERFERENCE WARNINGS & INSTRUCTIONS

This product has been tested and found to comply with the limits as per Part 15 of the FCC Rules. These limits are designed to provide reasonable protection against harmful interference in a residential installation. This device uses and can radiate radio frequency energy and, if not installed and used in accordance with the included instructions, may cause harmful interference to radio communications. However, there is no guarantee that interference will not occur in a particular installation. If this device does cause harmful interference to radio or television reception, which can be determined by turning the device off and on, the user is encouraged to try to correct the interference by one or more of the following methods:

- Reorient or relocate the device.
- Increase the separation between the device and the receiver.
- Connect the device to an electrical outlet on a circuit different from which the radio receiver is connected.
- Consult the dealer or an experienced radio/TV technician for help.

DOCUMENT VERSION

Due to additional product features and/or enhancements, an updated version of this document may be available online.

Please check www.adj.com for the latest revision/update of this manual before beginning installation and/or programming.

Date	Document Version	Software Version ≥	DMX Channel Mode	Notes
10/09/19	1	1.0	14/16/17/71	Initial Version
12/19/19	1.2	1.3	14/15/17/18/72	DMX Channel Modes Updated
10/21/20	1.3	1.5	14/15/17/18/38/72	DMX Channel Modes Updated

Europe Energy Saving Notice

Energy Saving Matters (EuP 2009/125/EC)

Saving electric energy is a key to help protecting the environment. Please turn off all electrical products when they are not in use. To avoid power consumption in idle mode, disconnect all electrical equipment from power when not in use.

Thank you!

Introduction	3
Features Warranty Registration	4
Safety Guidelines	5
External Light Exposure	6
Installation	7
Overview	10
DMX Set Up	11
DMX Addressing	12
DMX Channel Modes	13
Color Macro Chart	35
System Menu	37
Pixel Zone Layout	44
Target Modes	45
Dimmer Curve Chart	46
Error Codes	47
Dimensional Drawings	48
Multiple Unit Power Linking Fuse Replacement	49
Trouble Shooting Cleaning	49
Limited Warranty (USA Only)	50
Technical Specifications	51

Unpacking: Thank you for purchasing the Vizi Wash Z37 by ADJ Products, LLC. Every Vizi Wash Z37 has been thoroughly tested and has been shipped in perfect operating condition. Carefully check the shipping carton for damage that may have occurred during shipping. If the carton appears to be damaged, carefully inspect your fixture for any damage and be sure all accessories necessary to operate the unit has arrived intact. In the case damage has been found or parts are missing, please contact our toll free customer support number for further instructions. Do not return this unit to your dealer without first contacting customer support.

Introduction: The ADJ Vizi Wash Z37 is a DMX intelligent, high powered, moving head fixture. To optimize the performance of this product, please read these operating instructions carefully to familiarize yourself with the basic operations of this unit. ***This product is intended to be used by professionally trained personnel only and is not suitable for private use.***

These instructions contain important safety information regarding the use and maintenance of this unit. Please keep this manual with the unit, for future reference.

Customer Support: Contact ADJ Service for any product related service and support needs. Also visit forums.adj.com with questions, comments or suggestions.

Parts: To purchase parts online visit:

<http://parts.adj.com> (US)

<http://www.adjparts.eu> (EU)

ADJ SERVICE USA - Monday - Friday 8:00am to 4:30pm PST

Voice: 800-322-6337 | Fax: 323-582-2941 | support@adj.com

ADJ SERVICE EUROPE - Monday - Friday 08:30 to 17:00 CET

Voice: +31 45 546 85 60 | Fax: +31 45 546 85 96 | support@adj.eu

ADJ PRODUCTS LLC USA

6122 S. Eastern Ave. Los Angeles, CA. 90040

323-582-2650 | Fax 323-532-2941 | www.adj.com | info@adj.com

ADJ SUPPLY Europe B.V

Junostraat 2 6468 EW Kerkrade, The Netherlands

+31 (0)45 546 85 00 | Fax +31 45 546 85 99

www.adj.eu | info@adj.eu

ADJ PRODUCTS GROUP Mexico

AV Santa Ana 30 Parque Industrial Lerma, Lerma, Mexico 52000

+52 (728) 282-7070

Caution! There are no user serviceable parts inside this unit. Do not attempt any repairs yourself, doing so will void your manufactures warranty. In the unlikely event your unit may require service please contact ADJ Products, LLC.

PLEASE recycle the shipping carton when ever possible.

- Electronic Dimming 0-100%
- DMX-512 protocol
- Multiple DMX Channel Modes
- Locking 3-Pin and 5-Pin XLR Connectors In/Out
- Pixel Zone Control
- Zoom Adjustment
- Gamma Adjustment
- 6 Dimmer Curves With Dimmer Adjustment Speed
- Multiple Unit Power Linking (See page 39)

Included:

1 x Locking Power Cable

2 x Omega Brackets

The Vizi Wash Z37 carries a 2 year limited warranty. Please fill out the enclosed warranty card to validate your purchase. All returned service items whether under warranty or not, must be freight pre-paid and accompany a return authorization (R.A.) number. The R.A. number must be clearly written on the outside of the return package. A brief description of the problem as well as the R.A. number must also be written down on a piece of paper included in the shipping carton. If the unit is under warranty, you must provide a copy of your proof of purchase invoice. You may obtain a R.A. number by contacting our customer support team on our customer support number. All packages returned to the service department not displaying a R.A. number on the outside of the package will be returned to the shipper.

- **DO NOT TOUCH** the fixture housing during operation. Disconnect the power and allow approximately 15 minutes for the fixture to cool down before servicing.
- **DO NOT** shake the fixture, avoid brute force when installing and/or operating the fixture.
- **DO NOT** operate the fixture if the power cord has become frayed, crimped and/or damaged. If the power cord is damaged, replace immediately with a new one of similar power rating.
- **DO NOT** Do not attempt to remove or break off the ground prong from the electrical cord. This prong is used to reduce the risk of electrical shock and fire in case of an internal short.
- **DO NOT** attempt to operate this unit, if it becomes damaged.
- **DO NOT** spill water or other liquids into or on to your unit.
- This unit is intended for indoor use only, use of this product outdoors voids all warranties.
- To reduce the risk of electrical shock or fire, do not expose this unit rain or moisture
- Disconnect from main power before making any type of connection.
- **DO NOT** block any air ventilation slots. All fan and air inlets must remain clean and never blocked. Allow approx. 6" (15cm) between fixture and other devices or a wall for proper cooling.
- Always be sure to mount this unit in an area that will allow proper ventilation. Allow about 6" (15cm) between this device and a wall.
- During the initial operation of this fixture, a light smoke or smell may emit from the interior of the fixture. This is a normal process and is caused by excess paint in the interior of the casing burning off from the heat. This will decrease gradually over time.
- **DO NOT** remove the cover under any conditions. There are no user serviceable parts inside.
- When installing fixture in a suspended environment, always use mounting hardware that is no less than M10 x 25mm, and always install fixture with an appropriately rated safety cable.
- Never operate this unit when it's cover is removed.
- Never plug this unit in to a dimmer pack
- During long periods of non-use, disconnect the unit's main power.
- Always mount this unit in safe and stable matter.
- Power-supply cords should be routed so that they are not likely to be walked on or pinched by items placed upon or against them, paying particular attention to the point they exit from the unit.
- Cleaning -The fixture should be cleaned only as recommended by the manufacturer. See page 39 for cleaning details.
- Heat -The appliance should be situated away from heat sources such as radiators, heat registers, stoves, or other appliances (including amplifiers) that produce heat.
- The fixture should be serviced by qualified service personnel when:
 - A. The power-supply cord or the plug has been damaged.
 - B. Objects have fallen, or liquid has been spilled into the fixture.
 - C. The fixture has been exposed to rain or water.
 - D. The fixture does not appear to operate normally or exhibits a marked change in performance.
 - E. The fixture has fallen and/or subjected to extreme handling.

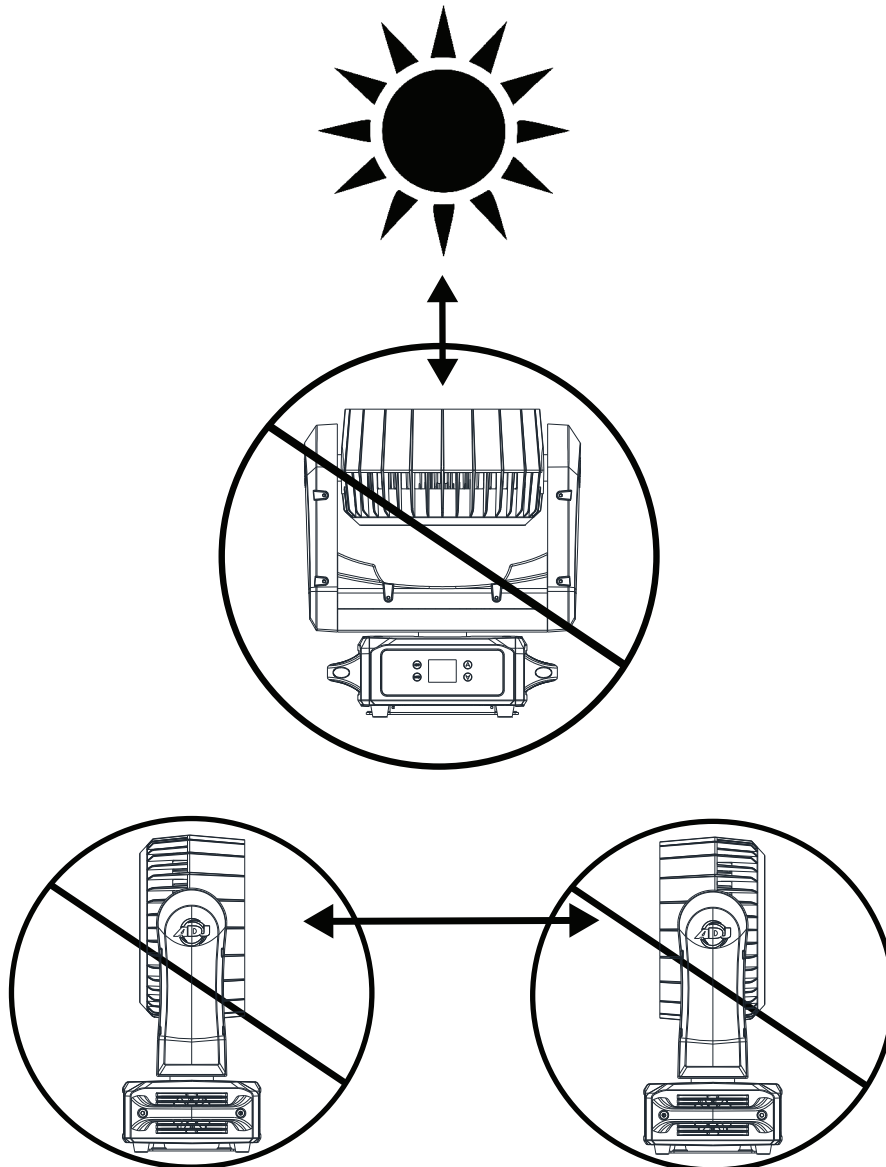
POTENTIAL INTERNAL FIXTURE DAMAGE FROM EXTERNAL SOURCES OF LIGHT BEAMS

External sources of light beams from direct sunlight, lighting moving head fixtures, and lasers, which are focused directly towards the exterior housing and/or penetrate the front lens opening of ADJ lighting fixtures, can cause severe internal damage including burning to optics, dichroic color filters, glass and metal gobos, prisms, animation wheels, frost filters, iris, shutters, motors, belts, wiring, discharge lamps, and LEDs.

This issue is not specific only to ADJ lighting fixtures, it is a common issue with lighting fixtures from all manufacturers. Although there is no true way to fully prevent this issue from happening, the guidelines below can prevent any potential damage from occurring if followed. Contact ADJ Service for more details.

DO NOT EXPOSE THE FIXTURE AND/OR FRONT LENS OPENING TO LIGHT BEAMS FROM DIRECT SUNLIGHT, OTHER LIGHTING MOVING HEAD FIXTURES, AND LASERS WHILE UNPACKING, INSTALLATION, USE, AND EXTENDED IDLE TIMES OUTDOORS.

DO NOT FOCUS A LIGHT BEAM FROM ONE LIGHTING FIXTURE DIRECTLY TOWARDS ANOTHER.



**FLAMMABLE MATERIAL WARNING**

Keep fixture at least 5.0 feet (1.5m) away from any flammable materials, decorations, pyrotechnics, etc.

**ELECTRICAL CONNECTIONS**

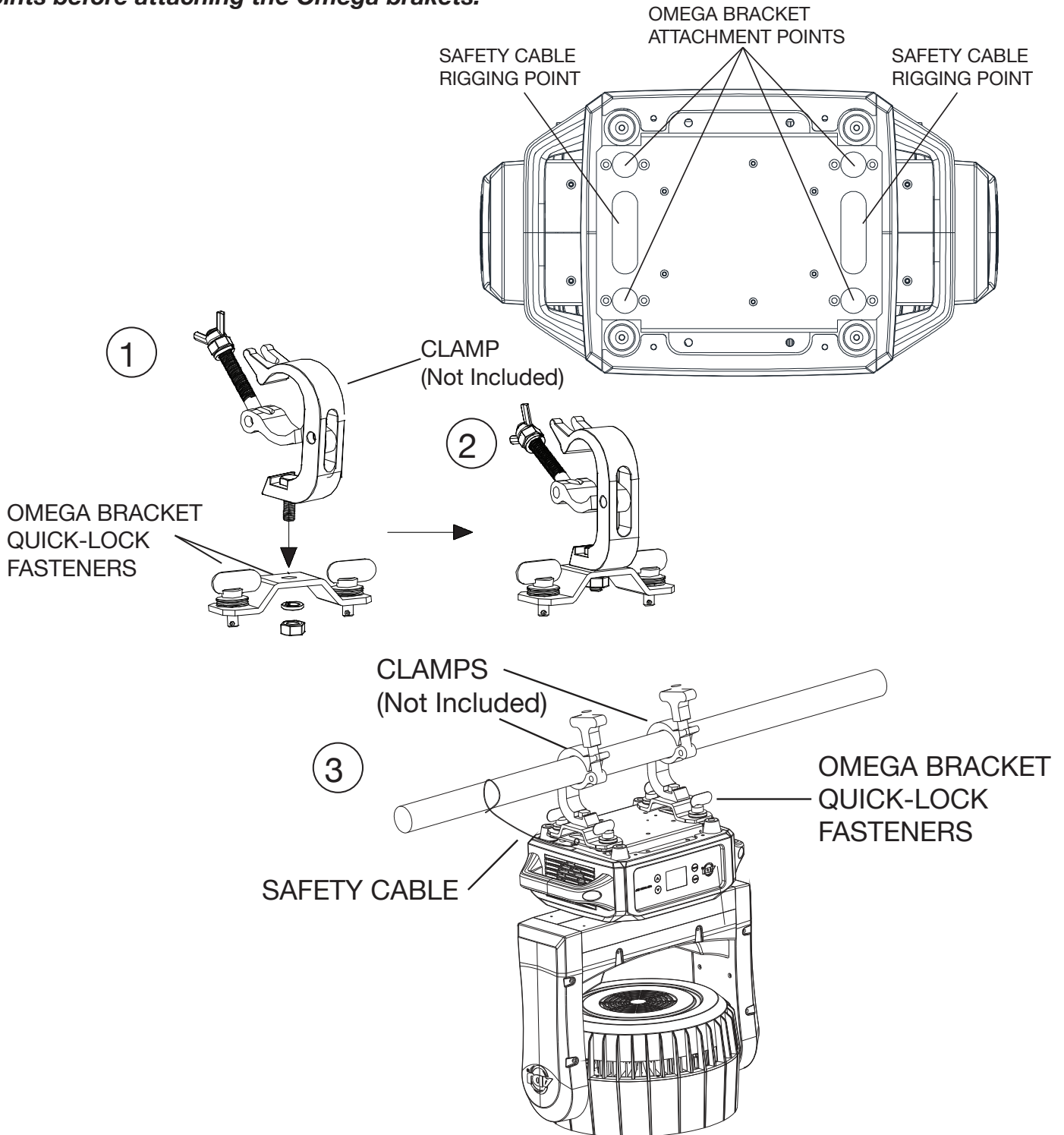
A qualified electrician should be used for all electrical connections and/or installations.

CAUTIONS

- For added protection, mount the fixture in areas outside walking paths, seating areas, or in areas where unauthorized personnel might reach the fixture.
- Ambient operating temperature range for this fixture is 14° to 104°F. (-10° to 40°C). Do not place this lighting fixture in an environment where the temperatures are under or above the temperatures stated above. This will allow the fixture to run at its best and help prolong the fixture life.
- Before mounting the fixture to any surface, make sure the installation area can hold a minimum point load of 10 times the weight of the fixture.
- Fixture installation must always be secured with a secondary safety attachment, such as an appropriate safety cable.
- Never stand directly below the device when mounting, removing or servicing.

CLAMP INSTALLATION

Screw one clamp via a M12 screw and nut into the Omega bracket. Insert the quick-lock fasteners of the Omega bracket into the respective holes of the fixture base plate. **NOTE: The clamp must be attached to the Omega Bracket before attaching the bracket to the fixture.** Tighten the quick-lock fasteners fully clockwise. Pull the safety-cable through one of the two rigging points located on the bottom of the unit and over the trussing system or a safe fixation spot. Insert the end in the carabine and tighten the safety screw. **NOTE: It is easier to pull the safety-cable through the rigging points before attaching the Omega brackets.**

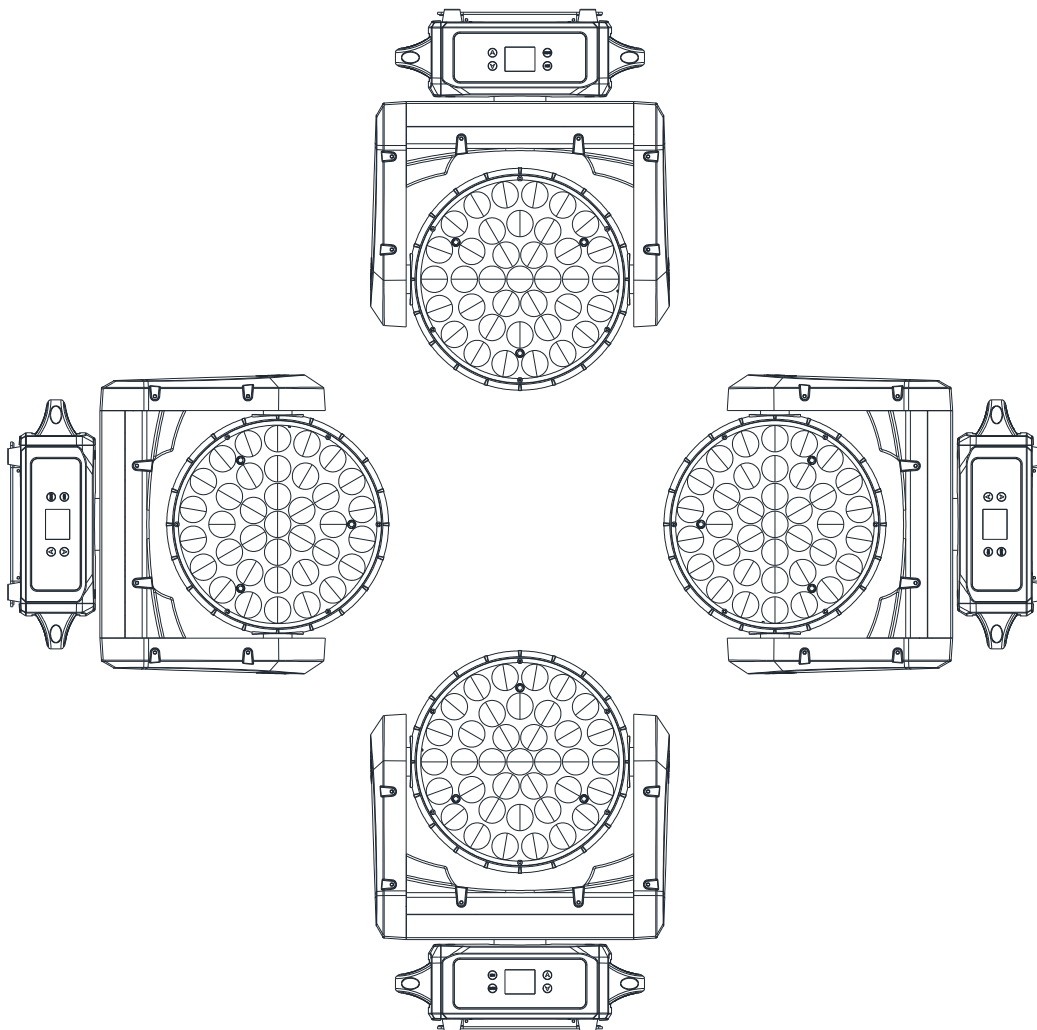


OVERHEAD RIGGING

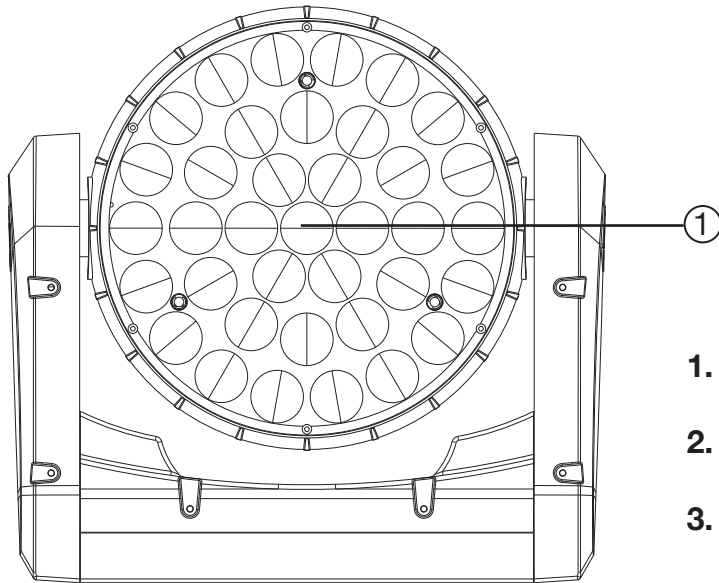
When installing the unit, the trussing or area of installation must be able to hold 10 times the weight without any deformation. When installing the unit must be secured with a secondary safety attachment, e.g. and appropriate safety cable. Never stand directly below the unit when mounting, removing, or servicing the unit.

Overhead mounting requires extensive experience, including calculating working load limits, installation material being used, and periodic safety inspection of all installation material and unit. If you lack these qualifications, do not attempt the installation yourself.

These installaiton should be checked by a skilled person once a year.

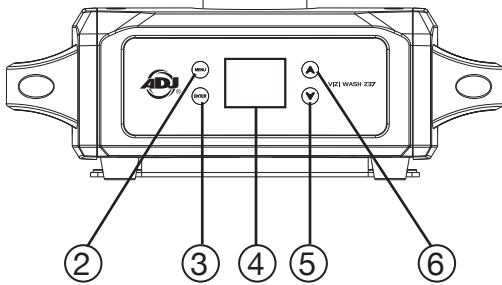


The Vizi Wash Z37 is fully operational in three different mounting positions, hanging upside-down, mounted sideways on trussing, or set on a flat level surface. Be sure this fixture is kept at least 12m (40ft) away from any flammable materials (decoration etc.). Always use and install the supplied safety cable as a safety measure to prevent accidental damage and/or injury in the event the clamp fails (see next page). Never use the carrying handles for secondary attachment.



1

1. LED Lens Array



2

3

4

5

6

2. MENU Button

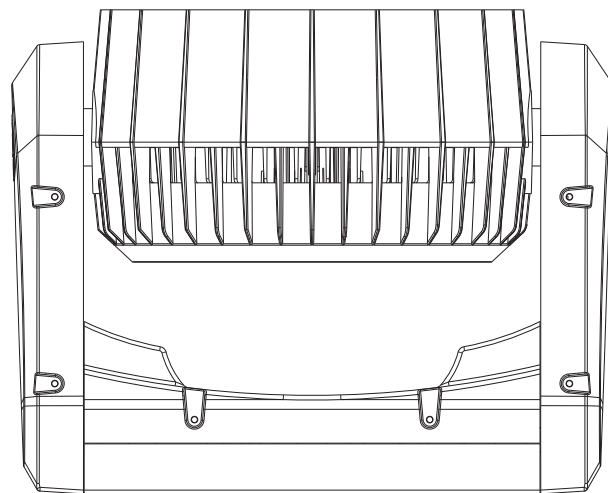
3. ENTER Button

4. LCD Menu Control Display

5. DOWN Button

6. UP Button

7. Service Port

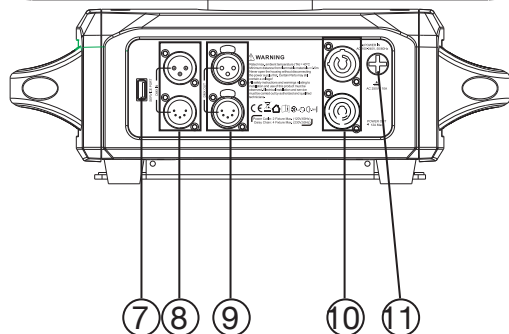


8. Locking 3/5-Pin XLR Connectors In/Out

9. Locking 3/5-Pin XLR Connectors In/Out

10. Locking Power Connectors In/Out

11. Fuse Holder



7

8

9

10

11

DMX-512: DMX is short for Digital Multiplex. This is a universal protocol used as a form of communication between intelligent fixtures and controllers. A DMX controller sends DMX data instructions from the controller to the fixture. DMX data is sent as serial data that travels from fixture to fixture via the DATA “IN” and DATA “OUT” XLR terminals located on all DMX fixtures (most controllers only have a DATA “OUT” terminal).

DMX Linking: DMX is a language allowing all makes and models of different manufactures to be linked together and operate from a single controller, as long as all fixtures and the controller are DMX compliant. To ensure proper DMX data transmission, when using several DMX fixtures try to use the shortest cable path possible. The order in which fixtures are connected in a DMX line does not influence the DMX addressing. For example; a fixture assigned a DMX address of 1 may be placed anywhere in a DMX line, at the beginning, at the end, or anywhere in the middle. When a fixture is assigned a DMX address of 1, the DMX controller knows to send DATA assigned to address 1 to that unit, no matter where it is located in the DMX chain.

Data Cable (DMX Cable) Requirements (For DMX Operation): The Vizi Wash Z37 can be controlled via DMX-512 protocol. Your unit and your DMX controller requires either a 3-pin or 5-pin XLR connector for data input and data output. We recommend Accu-Cable DMX cables. If you are making your own cables, be sure to use standard 110-120 Ohm shielded cable (This cable may be purchased at almost all pro lighting stores). Your cables should be made with a male and female XLR connector on either end of the cable. Also remember that DMX cable must be daisy chained and cannot be split.

Special Note: Line Termination. When longer runs of cable are used, you may need to use a terminator on the last unit to avoid erratic behavior. A terminator is a 110-120 ohm 1/4 watt resistor which is connected between pins 2 and 3 of a male XLR connector (DATA + and DATA -). This unit is inserted in the female XLR connector of the last unit in your daisy chain to terminate the line. Using a cable terminator (ADJ part number Z-DMX/T) will decrease the possibilities of erratic behavior.

DMX ADDRESSING

All fixtures should be given a DMX starting address when using a DMX controller, so the correct fixture responds to the correct control signal. This digital starting address is the channel number from which the fixture starts to “listen” to the digital control signal sent out from the DMX controller. The assignment of this starting DMX address is achieved by setting the correct DMX address on the digital control display on the fixture.

You can set the same starting address for all fixtures or a group of fixtures, or set different addresses for each individual fixture. Setting all fixtures to the same DMX address will cause all fixtures to react in the same way, in other words, changing the settings of one channel will affect all the fixtures simultaneously.

If you set each fixture to a different DMX address, each unit will start to “listen” to the channel number you have set, based on the quantity of DMX channels of each fixture. That means changing the settings of one channel will only affect the selected fixture.

In the case of the Vizi Wash Z37, when in 14 Channel you should set the starting DMX address of the first unit to 1, the second unit to 15 (14 + 1), the third unit to 29 (15 + 14), and so on. (See the chart below for more details.)

SOFTWARE VERSION \leq V1.0

Channel Mode	Unit 1 Address	Unit 2 Address	Unit 3 Address	Unit 4 Address
14 Channels	1	15	29	43
16 Channels	1	17	33	49
17 Channels	1	18	35	52
71 Channels	1	72	143	214

SOFTWARE VERSION 1.3 - 1.4

Channel Mode	Unit 1 Address	Unit 2 Address	Unit 3 Address	Unit 4 Address
14 Channels	1	15	29	43
15 Channels	1	16	31	46
17 Channels	1	18	35	52
18 Channels	1	19	37	55
72 Channels	1	73	145	217

SOFTWARE VERSION \geq 1.5

Channel Mode	Unit 1 Address	Unit 2 Address	Unit 3 Address	Unit 4 Address
14 Channels	1	15	29	43
15 Channels	1	16	31	46
17 Channels	1	18	35	52
18 Channels	1	19	37	55
38 Channels	1	39	77	115
72 Channels	1	73	145	217

ADJ VIZI WASH Z37 DMX Channel Values & Functions Supports Software Version ≤ 1.0 <small>Features subject to change without notice</small> <small>*Pixel Zones and control of effects depends on head orientation and Pan/Tilt settings*</small>					
14 Channels	16 Channels	17 Channels	71 Channels	Values	Functions
1	1	1	1	000-255	PAN MOVEMENT 8-BIT
	2	2	2	000-255	PAN FINE 16-BIT
2	3	3	3	000-255	TILT MOVEMENT 8-BIT
	4	4	4	000-255	TILT FINE 16-BIT
3	5	5		000-255	RED ALL 0%-100%
4	6	6		000-255	GREEN ALL 0%-100%
5	7	7		000-255	BLUE ALL 0%-100%
6	8	8		000-255	WHITE ALL 0%-100%
			5	000-255	RED (ZONE 1) 0%-100%
			6	000-255	GREEN (ZONE 1) 0%-100%
			7	000-255	BLUE (ZONE 1) 0%-100%
			8	000-255	WHITE (ZONE 1) 0%-100%
		9		000-255	64 COLORS MACROS See the Color Macro charts on pages 25-26
					COLOR MACROS (ZONE 1)
				000-009	Open
				010-017	Color 1
				018-024	Color 2
				025-032	Color 3
				033-039	Color 4
				040-047	Color 5
				048-054	Color 6
				055-061	Color 7
				062-069	Color 8
				070-076	Color 9
				077-084	Color 10
				085-091	Color 11
				092-099	Color 12
				100-106	Color 13
				107-113	Color 14
				114-121	Color 15
				122-128	Color 16
				129-136	Color 17
				137-143	Color 18
				144-151	Color 19
				152-158	Color 20
				159-165	Color 21
				166-173	Color 22
				174-180	Color 23
				181-188	Color 24
				189-195	Color 25
				196-203	Color 26
				204-210	Color 27
				211-217	Color 28
				218-225	Color 29
				226-232	Color 30
				233-240	Color 31
				241-247	Color 32
				248-255	Color 33
7	9	10	9		

14 Channels	16 Channels	17 Channels	71 Channels	Values	Functions
			10	000-255	RED (ZONE 2) 0%-100%
			11	000-255	GREEN (ZONE 2) 0%-100%
			12	000-255	BLUE (ZONE 2) 0%-100%
			13	000-255	WHITE (ZONE 2) 0%-100%
			14	000-255	COLOR PRESETS (ZONE 2) See Channel 9 (71 Channel Mode)
			15	000-255	RED (ZONE 3) 0%-100%
			16	000-255	GREEN (ZONE 3) 0%-100%
			17	000-255	BLUE (ZONE 3) 0%-100%
			18	000-255	WHITE (ZONE 3) 0%-100%
			19	000-255	COLOR MACROS (ZONE 3) See Channel 9 (71 Channel Mode)
			20	000-255	RED (ZONE 4) 0%-100%
			21	000-255	GREEN (ZONE 4) 0%-100%
			22	000-255	BLUE (ZONE 4) 0%-100%
			23	000-255	WHITE (ZONE 4) 0%-100%
			24	000-255	COLOR MACROS (ZONE 4) See Channel 9 (71 Channel Mode)
			25	000-255	RED (ZONE 5) 0%-100%
			26	000-255	GREEN (ZONE 5) 0%-100%
			27	000-255	BLUE (ZONE 5) 0%-100%
			28	000-255	WHITE (ZONE 5) 0%-100%
			29	000-255	COLOR MACROS (ZONE 5) See Channel 9 (71 Channel Mode)
			30	000-255	RED (ZONE 6) 0%-100%
			31	000-255	GREEN (ZONE 6) 0%-100%
			32	000-255	BLUE (ZONE 6) 0%-100%
			33	000-255	WHITE (ZONE 6) 0%-100%
			34	000-255	COLOR MACROS (ZONE 6) See Channel 9 (71 Channel Mode)
			35	000-255	RED (ZONE 7) 0%-100%
			36	000-255	GREEN (ZONE 7) 0%-100%
			37	000-255	BLUE (ZONE 7) 0%-100%
			38	000-255	WHITE (ZONE 7) 0%-100%
			39	000-255	COLOR MACROS (ZONE 7) See Channel 9 (71 Channel Mode)
			40	000-255	RED (ZONE 8) 0%-100%
			41	000-255	GREEN (ZONE 8) 0%-100%
			42	000-255	BLUE (ZONE 8) 0%-100%
			43	000-255	WHITE (ZONE 8) 0%-100%
			44	000-255	COLOR MACROS (ZONE 8) See Channel 9 (71 Channel Mode)

14 Channels	16 Channels	17 Channels	71 Channels	Values	Functions
			45	000-255	RED (ZONE 9) 0%-100%
			46	000-255	GREEN (ZONE 9) 0%-100%
			47	000-255	BLUE (ZONE 9) 0%-100%
			48	000-255	WHITE (ZONE 9) 0%-100%
			49	000-255	COLOR MACROS (ZONE 9) See Channel 9 (71 Channel Mode)
			50	000-255	RED (ZONE 10) 0%-100%
			51	000-255	GREEN (ZONE 10) 0%-100%
			52	000-255	BLUE (ZONE 10) 0%-100%
			53	000-255	WHITE (ZONE 10) 0%-100%
			54	000-255	COLOR MACROS (ZONE 10) See Channel 9 (71 Channel Mode)
			55	000-255	RED (ZONE 11) 0%-100%
			56	000-255	GREEN (ZONE 11) 0%-100%
			57	000-255	BLUE (ZONE 11) 0%-100%
			58	000-255	WHITE (ZONE 11) 0%-100%
			59	000-255	COLOR MACROS (ZONE 11) See Channel 9 (71 Channel Mode)

14 Channels	16 Channels	17 Channels	71 Channels	Values	Functions
					COLOR MACROS (ALL ZONES)
				000-009	Open
				010-014	Color 1
				015-019	Color 2
				020-024	Color 3
				025-029	Color 4
				030-034	Color 5
				035-039	Color 6
				040-044	Color 7
				045-049	Color 8
				050-054	Color 9
				055-059	Color 10
				060-064	Color 11
				065-069	Color 12
				070-074	Color 13
				075-079	Color 14
				080-084	Color 15
				085-089	Color 16
				090-094	Color 17
				095-099	Color 18
				100-104	Color 19
			60	105-109	Color 20
				110-114	Color 21
				115-119	Color 22
				120-124	Color 23
				125-129	Color 24
				130-134	Color 25
				135-139	Color 26
				140-144	Color 27
				145-149	Color 28
				150-154	Color 29
				155-159	Color 30
				160-164	Color 31
				165-169	Color 32
				170-174	Color 33
				175-179	Open
				180-201	Clockwise Fast-Slow
				202-207	Stop
				208-229	Counter-Clockwise Slow-Fast
				230-234	Open
				235-239	Random Colors Fast Speed
				240-244	Random Colors Medium Speed
				245-249	Random Colors Slow Speed
				250-255	Open
			61	000-255	BASE COLORS See Channel 9 (71 Channel Mode)

14 Channels	16 Channels	17 Channels	71 Channels	Values	Functions	
			62		BLOCK MACROS	
					000-007	Blackout
					008-022	Macro 1
					023-037	Macro 2
					038-052	Macro 3
					053-067	Macro 4
					068-082	Macro 5
					083-097	Macro 6
					098-112	Macro 7
					113-127	Macro 8
					128-142	Macro 9
					143-157	Macro 10
					158-172	Macro 11
					173-187	Macro 12
					188-202	Macro 13
					203-217	Macro 14
					218-232	Macro 15
				233-247	Macro 16	
				248-255	Macro 17	
			63		SHUTTER & STROBE	
					000-031	LEDs Off
					032-063	LEDs On
					064-095	Strobing Slow-Fast
					096-127	LEDs On
					128-159	Pulse Effect in Sequences
					160-191	LEDs On
				192-223	Random Strobing Slow-Fast	
				224-255	LEDs On	
9	11	12	64	000-255	MASTER DIMMER 0%-100%	
10	12	13	65	000-255	DIMMER FINE	
11	13	14	66	000-255	ZOOM WIDE-NARROW	
			67	000-255	ZOOM FINE	

14 Channels	16 Channels	17 Channels	71 Channels	Values	Functions
12	14	15	68		DIMMER MODES & DIMMER SPEED
				000-020	Standard
				021-040	Stage
				041-060	TV
				061-080	Architectural
				081-100	Theatre
				101-120	Stage 2
					DIMMER DELAY TIME
				121	0.1Sec.
				122	0.2Sec.
				123	0.3Sec.
				124	0.4Sec.
				125	0.5Sec.
				126	0.6Sec.
				127	0.7Sec.
				128	0.8Sec.
				129	0.9Sec.
				130	1.0Sec.
				131	1.5Sec.
				132	2.0Sec.
				133	3.0Sec.
134	4.0Sec.				
135	5.0Sec.				
136	6.0Sec.				
137	7.0Sec.				
138	8.0Sec.				
139	9.0Sec.				
140	10Sec.				
	141-255	Default to Unit Setting			
			69	000-255	COLOR BLOCK MACRO SPEED Slow-Fast
13	15	16	70	000-255	PAN/TILT SPEED Fast-Slow
14	16	17	71	000-069	SPECIAL FUNCTIONS Null
				070-079	Blackout with Pan/Tilt Enabled
				080-089	Blackout with Pan/Tilt Disabled
				090-189	Null
				190-199	Zoom Reset
				200-209	Reset All
				210-219	Null
				220-229	Pan/Tilt Reset
				230-255	Null

ADJ VIZI WASH Z37 Supports Software Version 1.3 - 1.4 <small>Features subject to change without notice</small> <small>*Pixel Zones and control effects depends on head orientation and Pan/Tilt settings*</small>						
14 Channels	15 Channels	17 Channels	18 Channels	72 Channels	Values	Functions
1	1	1	1	1	000-255	PAN MOVEMENT 8-BIT
		2	2	2	000-255	PAN FINE 16-BIT
2	2	3	3	3	000-255	TILT MOVEMENT 8-BIT
		4	4	4	000-255	TILT FINE 16-BIT
3	3	5	5		000-255	RED ALL 0%-100%
4	4	6	6		000-255	GREEN ALL 0%-100%
5	5	7	7		000-255	BLUE ALL 0%-100%
6	6	8	8		000-255	WHITE ALL 0%-100%
						COLOR TEMPERATURE (LINEAR)
					000-035	Null
					036-040	2700K
					041-045	2800K
					046-050	2900K
					051-055	3000K
					056-060	3100K
					061-065	3200K
					066-070	3300K
					071-075	3400K
					076-080	3500K
					081-085	3600K
					086-090	3700K
					091-095	3800K
					096-100	3900K
					101-105	4000K
					106-110	4100K
					111-115	4200K
					116-120	4300K
					121-125	4400K
					126-130	4500K
					131-135	4600K
8	7	9	9	60	136-140	4700K
					141-145	4800K
					146-150	4900K
					151-155	5000K
					156-160	5100K
					161-165	5200K
					166-170	5300K
					171-175	5400K
					176-180	5500K
					181-185	5600K
					186-190	5700K
					191-195	5800K
					196-200	5900K
					201-205	6000K
					206-210	6100K
					211-215	6200K
					216-220	6300K
					221-225	6400K
					226-230	6500K
					231-235	6600K
					236-240	6700K
					241-245	6800K
					246-250	6900K
					251-255	7000K

14 Channels	15 Channels	17 Channels	18 Channels	72 Channels	Values	Functions
7			10		000-255	64 COLORS MACROS See Color Macro Chart pages 25-26
						33 COLOR PRESETS
					000-009	Open
					010-017	Color 1
					018-024	Color 2
					025-032	Color 3
					033-039	Color 4
					040-047	Color 5
					048-054	Color 6
					055-061	Color 7
					062-069	Color 8
					070-076	Color 9
					077-084	Color 10
					085-091	Color 11
					092-099	Color 12
					100-106	Color 13
					107-113	Color 14
					114-121	Color 15
					122-128	Color 16
					129-136	Color 17
					137-143	Color 18
					144-151	Color 19
					152-158	Color 20
					159-165	Color 21
					166-173	Color 22
					174-180	Color 23
					181-188	Color 24
					189-195	Color 25
					196-203	Color 26
					204-210	Color 27
					211-217	Color 28
					218-225	Color 29
					226-232	Color 30
					233-240	Color 31
					241-247	Color 32
					248-255	Color 33
				5	000-255	RED (ZONE 1) 0%-100%
				6	000-255	GREEN (ZONE 1) 0%-100%
				7	000-255	BLUE (ZONE 1) 0%-100%
				8	000-255	WHITE (ZONE 1) 0%-100%
				9	000-255	33 COLOR PRESETS (ZONE 1)
				10	000-255	RED (ZONE 2) 0%-100%
				11	000-255	GREEN (ZONE 2) 0%-100%
				12	000-255	BLUE (ZONE 2) 0%-100%
				13	000-255	WHITE (ZONE 2) 0%-100%
				14	000-255	33 COLOR PRESETS (ZONE 2)
				15	000-255	RED (ZONE 3) 0%-100%
				16	000-255	GREEN (ZONE 3) 0%-100%
				17	000-255	BLUE (ZONE 3) 0%-100%
				18	000-255	WHITE (ZONE 3) 0%-100%
				19	000-255	33 COLOR PRESETS (ZONE 3)

14 Channels	15 Channels	17 Channels	18 Channels	72 Channels	Values	Functions
				20	000-255	RED (ZONE 4) 0%-100%
				21	000-255	GREEN (ZONE 4) 0%-100%
				22	000-255	BLUE (ZONE 4) 0%-100%
				23	000-255	WHITE (ZONE 4) 0%-100%
				24	000-255	33 COLOR MACROS (ZONE 4)
				25	000-255	RED (ZONE 5) 0%-100%
				26	000-255	GREEN (ZONE 5) 0%-100%
				27	000-255	BLUE (ZONE 5) 0%-100%
				28	000-255	WHITE (ZONE 5) 0%-100%
				29	000-255	33 COLOR MACROS (ZONE 5)
				30	000-255	RED (ZONE 6) 0%-100%
				31	000-255	GREEN (ZONE 6) 0%-100%
				32	000-255	BLUE (ZONE 6) 0%-100%
				33	000-255	WHITE (ZONE 6) 0%-100%
				34	000-255	33 COLOR MACROS (ZONE 6)
				35	000-255	RED (ZONE 7) 0%-100%
				36	000-255	GREEN (ZONE 7) 0%-100%
				37	000-255	BLUE (ZONE 7) 0%-100%
				38	000-255	WHITE (ZONE 7) 0%-100%
				39	000-255	33 COLOR MACROS (ZONE 7)
				40	000-255	RED (ZONE 8) 0%-100%
				41	000-255	GREEN (ZONE 8) 0%-100%
				42	000-255	BLUE (ZONE 8) 0%-100%
				43	000-255	WHITE (ZONE 8) 0%-100%
				44	000-255	33 COLOR MACROS (ZONE 8)
				45	000-255	RED (ZONE 9) 0%-100%
				46	000-255	GREEN (ZONE 9) 0%-100%
				47	000-255	BLUE (ZONE 9) 0%-100%
				48	000-255	WHITE (ZONE 9) 0%-100%
				49	000-255	33 COLOR MACROS (ZONE 9)
				50	000-255	RED (ZONE 10) 0%-100%
				51	000-255	GREEN (ZONE 10) 0%-100%
				52	000-255	BLUE (ZONE 10) 0%-100%
				53	000-255	WHITE (ZONE 10) 0%-100%
				54	000-255	33 COLOR MACROS (ZONE 10)
				55	000-255	RED (ZONE 11) 0%-100%
				56	000-255	GREEN (ZONE 11) 0%-100%
				57	000-255	BLUE (ZONE 11) 0%-100%
				58	000-255	WHITE (ZONE 11) 0%-100%
				59	000-255	33 COLOR MACROS (ZONE 11)

14 Channels	15 Channels	17 Channels	18 Channels	72 Channels	Values	Functions
						COLOR MACROS (ALL ZONES)
					000-009	Open
					010-014	Color 1
					015-019	Color 2
					020-024	Color 3
					025-029	Color 4
					030-034	Color 5
					035-039	Color 6
					040-044	Color 7
					045-049	Color 8
					050-054	Color 9
					055-059	Color 10
					060-064	Color 11
					065-069	Color 12
					070-074	Color 13
					075-079	Color 14
					080-084	Color 15
					085-089	Color 16
					090-094	Color 17
					095-099	Color 18
				61	100-104	Color 19
					105-109	Color 20
					110-114	Color 21
					115-119	Color 22
					120-124	Color 23
					125-129	Color 24
					130-134	Color 25
					135-139	Color 26
					140-144	Color 27
					145-149	Color 28
					150-154	Color 29
					155-159	Color 30
					160-164	Color 31
					165-169	Color 32
					170-174	Color 33
					175-179	Open
					180-201	Clockwise Fast-Slow
					202-207	Stop
					208-229	Counter-Clockwise Slow-Fast
					230-234	Open
					235-239	Random Colors Fast Speed
					240-244	Random Colors Medium Speed
					245-249	Random Colors Slow Speed
					250-255	Open
				62	000-255	BASE COLORS See 33 COLOR PRESETS

14 Channels	15 Channels	17 Channels	18 Channels	72 Channels	Values	Functions
						BLOCK MACROS
					000-007	Blackout
					008-022	Macro 1
					023-037	Macro 2
					038-052	Macro 3
					053-067	Macro 4
					068-082	Macro 5
					083-097	Macro 6
					098-112	Macro 7
					113-127	Macro 8
					128-142	Macro 9
					143-157	Macro 10
					158-172	Macro 11
					173-187	Macro 12
					188-202	Macro 13
					203-217	Macro 14
					218-232	Macro 15
					233-247	Macro 16
					248-255	Macro 17
						SHUTTER & STROBE
					000-031	LEDs Off
					032-063	LEDs On
					064-095	Strobing Slow-Fast
					096-127	LEDs On
					128-159	Pulse Effect in Sequences
					160-191	LEDs On
					192-223	Random Strobing Slow-Fast
					224-255	LEDs On
						SHUTTER & STROBE
					000-019	LEDs Off
					020-024	LEDs On
					025-064	Strobe Slow-Fast
					065-069	LEDs On
					070-084	Pulse Slow Open-Fast Closed
					085-089	LEDs On
					090-104	Pulse Fast Open-Slow Closed
					105-109	LEDs On
					110-124	Random Strobe
					125-129	LEDs On
					130-144	Random Pulse Open
					145-149	LEDs On
					150-164	Random Pulse Closed
					165-169	LEDs On
					170-184	Burst Pulse
					185-189	LEDs On
					190-204	Random Burst Pulse
					205-209	LEDs On
					210-224	Pulse
					225-229	LEDs On
					230-244	Burst
					245-255	LEDs On
10	10	12	13	65	000-255	MASTER DIMMER 0%-100%
	11	13	14	66	000-255	DIMMER FINE
12	12	14	15	67	000-255	ZOOM WIDE-NARROW
				68	000-255	ZOOM FINE

14 Channels	15 Channels	17 Channels	18 Channels	72 Channels	Values	Functions
11	13	15	16	69		DIMMER MODES & DIMMER SPEED
					000-020	Standard
					021-040	Stage
					041-060	TV
					061-080	Architectural
					081-100	Theatre
					101-120	Stage 2
						DIMMER DELAY TIME
					121	0.1Sec.
					122	0.2Sec.
					123	0.3Sec.
					124	0.4Sec.
					125	0.5Sec.
					126	0.6Sec.
					127	0.7Sec.
					128	0.8Sec.
					129	0.9Sec.
					130	1.0Sec.
					131	1.5Sec.
					132	2.0Sec.
					133	3.0Sec.
134	4.0Sec.					
135	5.0Sec.					
136	6.0Sec.					
137	7.0Sec.					
138	8.0Sec.					
139	9.0Sec.					
140	10Sec.					
	141-255	Default to Unit Setting				
				70	000-255	COLOR BLOCK MACRO SPEED Slow-Fast
13	14	16	17	71	000-255	PAN/TILT SPEED Fast-Slow
	15	17	18	72	000-069	SPECIAL FUNCTIONS Null
					070-079	Blackout with Pan/Tilt Enabled
					080-089	Blackout with Pan/Tilt Disabled
					090-189	Null
					190-199	Zoom Reset
					200-209	Reset All
					210-219	Null
					220-229	Pan/Tilt Reset
230-255	Null					
14					000-069	SPECIAL FUNCTIONS Null
					070-079	Blackout with Pan/Tilt Enabled
					080-089	Blackout with Pan/Tilt Disabled
					090-099	Reset All
					100-109	Zoom Reset
					110-119	Pan/Tilt Reset
					120-255	Null

ADJ Vizi Wash Z37
DMX Channel Values & Functions
 Supports Software Version: ≥ 1.5

Channel						DMX Values	Function
14 CH	15 CH	17 CH	18 CH	38 CH	72 CH		
1	1	1	1	1	1	000 - 255	Pan Movement , 0 to 540 degrees
		2	2	2	2	000 - 255	Pan Fine
2	2	3	3	3	3	000 - 255	Tilt Movement , 0 to 255 degrees
		4	4	4	4	000 - 255	Tilt Fine
3	3	5	5	5		000 - 255	Red , 0 to 100%
4	4	6	6	6		000 - 255	Green , 0 to 100%
5	5	7	7	7		000 - 255	Blue , 0 to 100%
6	6	8	8	8		000 - 255	White , 0 to 100%
8	7	9	9	9	60	000 - 255	Color Temperature , 2700K to 7000K
7			10	10		000 - 255	Color Macros , see Color Macros Chart
							Color Preset
						000 - 009	Open
						010 - 017	Color1
						018 - 024	Color2
						025 - 032	Color3
						033 - 039	Color4
						040 - 047	Color5
						048 - 054	Color6
						055 - 061	Color7
						062 - 069	Color8
						070 - 076	Color9
						077 - 084	Color10
						085 - 091	Color11
						092 - 099	Color12
						100 - 106	Color13
						107 - 113	Color14
						114 - 121	Color15
						122 - 128	Color16
						129 - 136	Color17
						137 - 143	Color18
						144 - 151	Color19
						152 - 158	Color20
						159 - 165	Color21
						166 - 173	Color22

ADJ Vizi Wash Z37
DMX Channel Values & Functions
Supports Software Version: ≥ 1.5

Channel						DMX Values	Function
14 CH	15 CH	17 CH	18 CH	38 CH	72 CH		
							Color Preset (continued from prev page)
						174 - 180	Color23
						181 - 188	Color24
						189 - 195	Color25
						196 - 203	Color26
	8	10	11	11		204 - 210	Color27
						211 - 217	Color28
						218 - 225	Color29
						226 - 232	Color30
						233 - 240	Color31
						241 - 247	Color32
						248 - 255	Color33
					5	000 - 255	Block 1 Red , 0 to 100%
					6	000 - 255	Block 1 Green , 0 to 100%
					7	000 - 255	Block 1 Blue , 0 to 100%
					8	000 - 255	Block 1 White , 0 to 100%
				12		000 - 255	Ring 1 Red , 0 to 100%
				13		000 - 255	Ring 1 Green , 0 to 100%
				14		000 - 255	Ring 1 Blue , 0 to 100%
				15		000 - 255	Ring 1 White , 0 to 100%
							Block 1 Color Preset
						000 - 009	Open
						010 - 017	Color1
						018 - 024	Color2
						025 - 032	Color3
						033 - 039	Color4
						040 - 047	Color5
					9	048 - 054	Color6
						055 - 061	Color7
						062 - 069	Color8
						070 - 076	Color9
						077 - 084	Color10
						085 - 091	Color11
						092 - 099	Color12

ADJ Vizi Wash Z37
DMX Channel Values & Functions
Supports Software Version: ≥ 1.5

Channel						DMX Values	Function
14 CH	15 CH	17 CH	18 CH	38 CH	72 CH		
					9		Block 1 Color Preset (continued from prev page)
						100 - 106	Color13
						107 - 113	Color14
						114 - 121	Color15
						122 - 128	Color16
						129 - 136	Color17
						137 - 143	Color18
						144 - 151	Color19
						152 - 158	Color20
						159 - 165	Color21
						166 - 173	Color22
						174 - 180	Color23
						181 - 188	Color24
						189 - 195	Color25
						196 - 203	Color26
						204 - 210	Color27
						211 - 217	Color28
						218 - 225	Color29
					226 - 232	Color30	
					233 - 240	Color31	
					241 - 247	Color32	
					248 - 255	Color33	
					10	000 - 255	Block 2 Red , 0 to 100%
					11	000 - 255	Block 2 Green , 0 to 100%
					12	000 - 255	Block 2 Blue , 0 to 100%
					13	000 - 255	Block 2 White , 0 to 100%
				16		000 - 255	Ring 2 Red , 0 to 100%
				17		000 - 255	Ring 2 Green , 0 to 100%
				18		000 - 255	Ring 2 Blue , 0 to 100%
				19		000 - 255	Ring 2 White , 0 to 100%
					14	000 - 255	Block 2 Color Preset (same as CH 9: Block 1 Color Preset)
					15	000 - 255	Block 3 Red , 0 to 100%
					16	000 - 255	Block 3 Green , 0 to 100%

ADJ Vizi Wash Z37
DMX Channel Values & Functions
Supports Software Version: \geq 1.5

Channel						DMX Values	Function
14 CH	15 CH	17 CH	18 CH	38 CH	72 CH		
					17	000 - 255	Block 3 Blue , 0 to 100%
					18	000 - 255	Block 3 White , 0 to 100%
				20		000 - 255	Ring 3 Red , 0 to 100%
				21		000 - 255	Ring 3 Green , 0 to 100%
				22		000 - 255	Ring 3 Blue , 0 to 100%
				23		000 - 255	Ring 3 White , 0 to 100%
					19	000 - 255	Block 3 Color Preset (same as CH 9: Block 1 Color Preset)
					20	000 - 255	Block 4 Red , 0 to 100%
					21	000 - 255	Block 4 Green , 0 to 100%
					22	000 - 255	Block 4 Blue , 0 to 100%
					23	000 - 255	Block 4 White , 0 to 100%
				24		000 - 255	Ring 4 Red , 0 to 100%
				25		000 - 255	Ring 4 Green , 0 to 100%
				26		000 - 255	Ring 4 Blue , 0 to 100%
				27		000 - 255	Ring 4 White , 0 to 100%
					24	000 - 255	Block 4 Color Preset (same as CH 9: Block 1 Color Preset)
					25	000 - 255	Block 5 Red , 0 to 100%
					26	000 - 255	Block 5 Green , 0 to 100%
					27	000 - 255	Block 5 Blue , 0 to 100%
					28	000 - 255	Block 5 White , 0 to 100%
					29	000 - 255	Block 5 Color Preset (same as CH 9: Block 1 Color Preset)
					30	000 - 255	Block 6 Red , 0 to 100%
					31	000 - 255	Block 6 Green , 0 to 100%
					32	000 - 255	Block 6 Blue , 0 to 100%
					33	000 - 255	Block 6 White , 0 to 100%
					34	000 - 255	Block 6 Color Preset (same as CH 9: Block 1 Color Preset)
					35	000 - 255	Block 7 Red , 0 to 100%
					36	000 - 255	Block 7 Green , 0 to 100%
					37	000 - 255	Block 7 Blue , 0 to 100%
					38	000 - 255	Block 7 White , 0 to 100%

ADJ Vizi Wash Z37
DMX Channel Values & Functions
Supports Software Version: ≥ 1.5

Channel						DMX Values	Function
14 CH	15 CH	17 CH	18 CH	38 CH	72 CH		
					39	000 - 255	Block 7 Color Preset (same as CH 9: Block 1 Color Preset)
					40	000 - 255	Block 8 Red , 0 to 100%
					41	000 - 255	Block 8 Green , 0 to 100%
					42	000 - 255	Block 8 Blue , 0 to 100%
					43	000 - 255	Block 8 White , 0 to 100%
					44	000 - 255	Block 8 Color Preset (same as CH 9: Block 1 Color Preset)
					45	000 - 255	Block 9 Red , 0 to 100%
					46	000 - 255	Block 9 Green , 0 to 100%
					47	000 - 255	Block 9 Blue , 0 to 100%
					48	000 - 255	Block 9 White , 0 to 100%
					49	000 - 255	Block 9 Color Preset (same as CH 9: Block 1 Color Preset)
					50	000 - 255	Block 10 Red , 0 to 100%
					51	000 - 255	Block 10 Green , 0 to 100%
					52	000 - 255	Block 10 Blue , 0 to 100%
					53	000 - 255	Block 10 White , 0 to 100%
					54	000 - 255	Block 10 Color Preset (same as CH 9: Block 1 Color Preset)
					55	000 - 255	Block 11 Red , 0 to 100%
					56	000 - 255	Block 11 Green , 0 to 100%
					57	000 - 255	Block 11 Blue , 0 to 100%
					58	000 - 255	Block 11 White , 0 to 100%
					59	000 - 255	Block 11 Color Preset (same as CH 9: Block 1 Color Preset)
					61		Color Macros
						000 - 009	Open
						010 - 014	Color1
						015 - 019	Color2
						020 - 024	Color3
						025 - 029	Color4
						030 - 034	Color5
						035 - 039	Color6
						040 - 044	Color7

ADJ Vizi Wash Z37
DMX Channel Values & Functions
Supports Software Version: ≥ 1.5

Channel						DMX Values	Function
14 CH	15 CH	17 CH	18 CH	38 CH	72 CH		
							Color Macros (continued from prev page)
						045 - 049	Color8
						050 - 054	Color9
						055 - 059	Color10
						060 - 064	Color11
						065 - 069	Color12
						070 - 074	Color13
						075 - 079	Color14
						080 - 084	Color15
						085 - 089	Color16
						090 - 094	Color17
						095 - 099	Color18
						100 - 104	Color19
						105 - 109	Color20
						110 - 114	Color21
						115 - 119	Color22
					61	120 - 124	Color23
						125 - 129	Color24
						130 - 134	Color25
						135 - 139	Color26
						140 - 144	Color27
						145 - 149	Color28
						150 - 154	Color29
						155 - 159	Color30
						160 - 164	Color31
						165 - 169	Color32
						170 - 174	Color33
						175 - 179	Open
							Color Wheel Rotation Effect
						180 - 201	Clockwise, fast to slow
						202 - 207	Stop on currently displayed color
						208 - 229	Counter-clockwise, slow to fast
						230 - 234	Open

ADJ Vizi Wash Z37
DMX Channel Values & Functions
Supports Software Version: ≥ 1.5

Channel						DMX Values	Function	
14 CH	15 CH	17 CH	18 CH	38 CH	72 CH			
					61		Random Color	
						235 - 239	Fast	
						240 - 244	Medium	
						245 - 249	Slow	
						250 - 255	Open	
				28	62		Base Color Preset	
							000 - 009	No Base Color
							010 - 017	Color1
							018 - 024	Color2
							025 - 032	Color3
							033 - 039	Color4
							040 - 047	Color5
							048 - 054	Color6
							055 - 061	Color7
							062 - 069	Color8
							070 - 076	Color9
							077 - 084	Color10
							085 - 091	Color11
							092 - 099	Color12
							100 - 106	Color13
							107 - 113	Color14
							114 - 121	Color15
							122 - 128	Color16
							129 - 136	Color17
							137 - 143	Color18
							144 - 151	Color19
							152 - 158	Color20
							159 - 165	Color21
							166 - 173	Color22
							174 - 180	Color23
							181 - 188	Color24
							189 - 195	Color25
					196 - 203	Color26		
					204 - 210	Color27		

ADJ Vizi Wash Z37
DMX Channel Values & Functions
Supports Software Version: \geq 1.5

Channel						DMX Values	Function
14 CH	15 CH	17 CH	18 CH	38 CH	72 CH		
				28	62		Base Color Preset (continued from previous page)
						211 - 217	Color28
						218 - 225	Color29
						226 - 232	Color30
						233 - 240	Color31
						241 - 247	Color32
						248 - 255	Color33
				29	63		Block Macros
						000 - 007	Blackout
						008 - 022	Macro1
						023 - 037	Macro2
						038 - 052	Macro3
						053 - 067	Macro4
						068 - 082	Macro5
						083 - 097	Macro6
						098 - 112	Macro7
						113 - 127	Macro8
						128 - 142	Macro9
						143 - 157	Macro10
						158 - 172	Macro11
						173 - 187	Macro12
						188 - 202	Macro13
						203 - 217	Macro14
						218 - 232	Macro15
						233 - 247	Macro16
						248 - 255	Macro17
9							Shutter
						000 - 019	Blackout
						020 - 024	Open
						025 - 064	Strobe, slow to fast
						065 - 069	Open
						070 - 084	Pulse: slow open, fast close
						085 - 089	Opem
						090 - 104	Pulse: fast open, slow close

ADJ Vizi Wash Z37
DMX Channel Values & Functions
Supports Software Version: \geq 1.5

Channel						DMX Values	Function
14 CH	15 CH	17 CH	18 CH	38 CH	72 CH		
9							Shutter (continued from previous page)
						105 - 109	Open
						110 - 124	Random Strobe
						125 - 129	Open
						130 - 144	Random Pulse Open
						145 - 149	Open
						150 - 164	Random Pulse Close
						165 - 169	Open
						170 - 184	Burst Pulse
						185 - 189	Open
						190 - 204	Random Burst Pulse
						205 - 209	Open
						210 - 224	Shutter Strobe Pulse
						225 - 229	Open
230 - 244	Burst						
245 - 255	Open						
	9	11	12	30	64		Strobe
						000 - 031	Shutter Closed (LEDs Off)
						032 - 063	Shutter Open (LEDs On)
						064 - 095	Strobe Effect, Show to Fast
						096 - 127	Shutter Open (LEDs On)
						128 - 159	Pulse Effect in Sequence
						160 - 191	Shutter Open (LEDs On)
						192 - 223	Random Strobe, Slow to Fast
224 - 255	Shutter Open (LEDs On)						
10	10	12	13	31	65	000 - 255	Dimmer Intensity , 0 to 100%
	11	13	14	32	66	000 - 255	Dimmer Fine
12	12	14	15	33	67	000 - 255	Zoom Adjustment , Wide to Narrow
				34	68	000 - 255	Zoom Fine
11	13	15	16	35	69		Dim Modes
						000 - 020	Standard
						021 - 040	Stage
						041 - 060	TV
						061 - 080	Architectural

ADJ Vizi Wash Z37
DMX Channel Values & Functions
Supports Software Version: ≥ 1.5

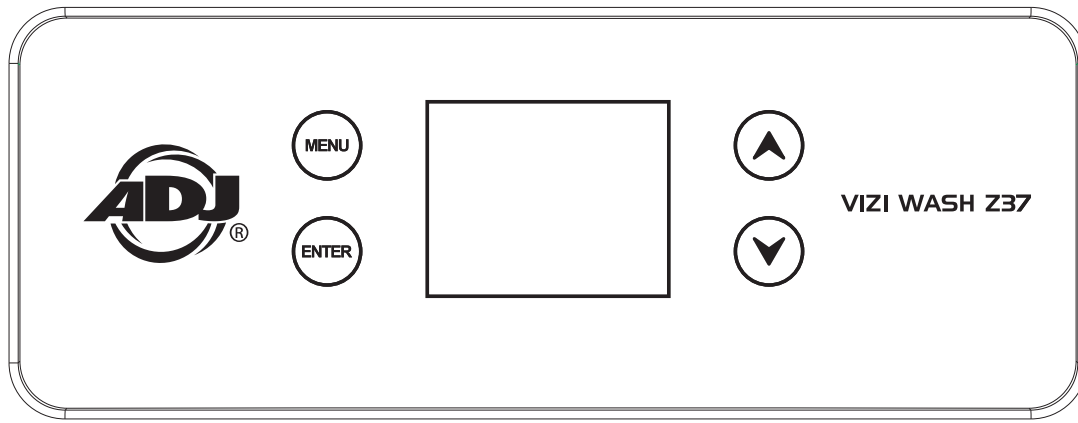
Channel						DMX Values	Function
14 CH	15 CH	17 CH	18 CH	38 CH	72 CH		
11	13	15	16	35	69		Dim Modes (continued from previous page)
						081 - 100	Theatre
						101 - 120	Stage 2
						121 - 140	Dim Speed, fast to slow (0.1s to 10.0s)
						141 - 255	Default
				36	70	000 - 255	Color Block Macro Speed , Slow to Fast
13	14	16	17	37	71	000 - 255	Pan/Tilt Speed , Max Speed to Min Speed
14							Special Functions
						000 - 069	Null
						070 - 079	Blackout Pan/Tilt Move Enable
						080 - 089	Blackout Pan/Tilt Move Disable
						090 - 099	Reset All
						100 - 109	Zoom Reset
						110 - 119	Pan/Tilt Reset
						120 - 255	Null
	15	17	18	38	72		Function
						000 - 069	Null
						070 - 079	Blackout Pan/Tilt Move Enable
						080 - 089	Blackout Pan/Tilt Move Disable
						090 - 189	Null
						190 - 199	Zoom Reset
						200 - 209	Reset All
						210 - 219	Null
						220 - 229	Pan/Tilt Reset
						230 - 255	Null

Color No.	DMX VAULE	RGBW COLOR INTENSITY			
		RED	GREEN	BLUE	WHITE
OFF	0	0	0	0	0
Color1	1-4	80	255	234	80
Color2	5-8	80	255	164	80
Color3	9-12	77	255	112	77
Color4	13-16	117	255	83	83
Color5	17-20	160	255	77	77
Color6	21-24	223	255	83	83
Color7	25-28	255	243	77	77
Color8	29-32	255	200	74	74
Color9	33-36	255	166	77	77
Color10	37-40	255	125	74	74
Color11	41-44	255	97	77	74
Color12	45-48	255	71	77	71
Color13	49-52	255	83	134	83
Color14	53-56	255	93	182	93
Color15	57-60	255	96	236	96
Color16	61-64	238	93	255	93
Color17	65-68	196	87	255	87
Color18	69-72	150	90	255	90
Color19	73-76	100	77	255	77
Color20	77-80	77	100	255	77
Color21	81-84	67	148	255	67
Color22	85-88	77	195	255	77
Color23	89-92	77	234	255	77
Color24	93-96	158	255	144	144
Color25	97-100	255	251	153	153
Color26	101-104	255	175	147	147
Color27	105-108	255	138	186	138
Color28	109-112	255	147	251	147
Color29	113-116	151	138	255	138
Color30	117-120	99	0	255	100
Color31	121-124	138	169	255	138
Color32	125-128	255	255	255	255

Color No.	DMX VAULE	RGBW COLOR INTENSITY			
		RED	GREEN	BLUE	WHITE
Color33	129-132	255	206	143	0
Color34	133-136	254	177	153	0
Color35	137-140	254	192	138	0
Color36	141-144	254	165	98	0
Color37	145-148	254	121	0	0
Color38	149-152	176	17	0	0
Color39	153-156	96	0	11	0
Color40	157-160	234	139	171	0
Color41	161-164	224	5	97	0
Color42	165-168	175	77	173	0
Color43	169-172	119	130	199	0
Color44	173-176	147	164	212	0
Color45	177-180	88	2	163	0
Color46	181-184	0	38	86	0
Color47	185-188	0	142	208	0
Color48	189-192	52	148	209	0
Color49	193-196	1	134	201	0
Color50	197-200	0	145	212	0
Color51	201-204	0	121	192	0
Color52	205-208	0	129	184	0
Color53	209-212	0	83	115	0
Color54	213-216	0	97	166	0
Color55	217-220	1	100	167	0
Color56	221-224	0	40	86	0
Color57	225-228	209	219	182	0
Color58	229-232	42	165	85	0
Color59	233-236	0	46	35	0
Color60	237-240	8	107	222	0
Color61	241-244	255	0	0	0
Color62	245-248	0	255	0	0
Color63	249-252	0	0	255	0
Color64	253-255	0	0	0	255

SYSTEM MENU

The fixture includes an easy to navigate system menu control panel display where all necessary settings and adjustments are made. (See image below) During normal operation, pressing the **MENU** button once will access the fixture's main menu. Once in the main menu, you can navigate through the different functions and access the sub-menus with the **UP** and **DOWN** buttons. When you reach a field that requires adjusting, press the **ENTER** button to access that field and use the **UP** and **DOWN** buttons to adjust the field. Pressing the **ENTER** button once more will confirm your setting. You may exit the main menu at any time without making any adjustments by pressing the **MENU** button.



SOFTWARE VERSION ≤V1.0

MENU	SUBMENU	OPTIONS	DESCRIPTION
DMX Settings	DMX Address	001~XXX	DMX Addressing
	DMX Channel Mode	14Ch / 16Ch / 17Ch / 71Ch	DMX Channel Mode Selection
	No DMX Status	HoldLast / BlackOut / Int Program / Manual	DMX Lost Status
Personality	Status Settings	Pan Invert: On / Off	Reverse Pan Motion
		Tilt Invert: On / Off	Reverse Tilt Motion
		P/T Feedback: On / Off	Movement Feedback
		P/T Speed: Speed 1 / Speed 2	Pan/Tilt Movement Speed
		Hibernation: Off / 01M~99M / 15M	Sleep Setting (No Activity)
	Fan Settings	Head: Auto / High / Silent	Head Fan Setting
		Base: Auto / High / Silent	Base Fan Setting
	Dim Modes	Standard / Stage / TV / Architectural / Theatre / Stage2	Dimmer Modes
		Dim Speed: 0.1-10s	Dimming Speed
	Gamma	1.0 / 2.0 / 2.2 / 2.4 / 2.6 / 2.8	Gamma Brightness
	Reset Motors	Reset All Motors: Yes / No	Reset Pan/Tilt Motors
		Pan/Tilt Reset: Yes / No	Reset Effect Motor
		Zoom Reset: Yes / No	Reset All Motors
	Display	Intensity: 1~10 (Dimmest-Brightest)	Backlight Brightness
		Display Invert: Yes / No	Display Readout Inversion
		Screen Saver Delay: Off~10Mins	Display Blackout
		Lock On/Off: On / Off	Display Lock
Service (Pass Code = 50)	Calibration: Pass Code = 050	Calibration	
	USB Port Power: On / Off	USB Port Activation	
	Update Software: Yes / No	Software Update	
	Factory Restore: Yes / No - Pass Code = 011	Restore Factory Settings	
Manual Control	Pan	000~255	Manual Control Settings
	Pan Fine	000~255	
	Tilt	000~255	
	Tilt Fine	000~255	
	Red 1-11	000~255	
	Green 1-11	000~255	
	Blue 1-11	000~255	
	White 1-11	000~255	
	Color Macros	000~255	
	Base Color	000~255	
	Block Macro	000~255	
	Shutter	000~255	
	Dimmer	000~255	
	Dimmer Fine	000~255	
	Zoom	000~255	
	Zoom Fine	000~255	
	Macro Speed	000~255	
P/T Sp.	000~255		
Internal Programs	Program 0	Speed: 000~255 Fade: 000~255	Program 0 with Adjustments
	Program 1	Speed: 000~255 Fade: 000~255	Program 1 with Adjustments
	Program 2	Speed: 000~255 Fade: 000~255	Program 2 with Adjustments
	Program 3	Speed: 000~255 Fade: 000~255	Program 3 with Adjustments
	Program 4	Speed: 000~255 Fade: 000~255	Program 4 with Adjustments

SOFTWARE VERSION 1.3-1.4

MENU	SUBMENU	OPTIONS	DESCRIPTION
DMX Settings	DMX Address	001~XXX	DMX Addressing
	DMX Channel Mode	14Ch / 15Ch / 17Ch / 18Ch / 72Ch	DMX Channel Mode Selection
	No DMX Status	HoldLast / BlackOut / Int Program / Manual	DMX Lost Status
Personality	Status Settings	Pan Invert: On / Off	Reverse Pan Motion
		Tilt Invert: On / Off	Reverse Tilt Motion
		P/T Feedback: On / Off	Movement Feedback
		P/T Speed: Speed 1 / Speed 2	Pan/Tilt Movement Speed
		Hibernation: Off / 01M~99M / 15M	Sleep Setting (No Activity)
	Fan Settings	Head: Auto / High / Silent	Head Fan Setting
		Base: Auto / High / Silent	Base Fan Setting
	Dim Modes	Standard / Stage / TV / Architectural / Theatre / Stage2	Dimmer Modes
		Dim Speed: 0.1-10s	Dimming Speed
	Gamma	1.0 / 2.0 / 2.2 / 2.4 / 2.6 / 2.8	Gamma Brightness
	Reset Motors	Reset All Motors: Yes / No	Reset Pan/Tilt Motors
		Pan/Tilt Reset: Yes / No	Reset Effect Motor
		Zoom Reset: Yes / No	Reset All Motors
	Display	Intensity: 1~10 (Dimmest-Brightest)	Backlight Brightness
		Display Invert: Yes / No	Display Readout Inversion
		Screen Saver Delay: Off~10Mins	Display Blackout
		Lock On/Off: On / Off	Display Lock
Service (Pass Code = 50)	Calibration: Pass Code = 050	Calibration	
	USB Port Power: On / Off	USB Port Activation	
	Update Software: Yes / No	Software Update	
	Factory Restore: Yes / No - Pass Code = 011	Restore Factory Settings	
Manual Control	Pan	000~255	Manual Control Settings
	Pan Fine	000~255	
	Tilt	000~255	
	Tilt Fine	000~255	
	Red 1-11	000~255	
	Green 1-11	000~255	
	Blue 1-11	000~255	
	White 1-11	000~255	
	Cto	000~255	
	Color Macros	000~255	
	Base Color	000~255	
	Block Macro	000~255	
	Shutter	000~255	
	Dimmer	000~255	
	Dimmer Fine	000~255	
	Zoom	000~255	
	Zoom Fine	000~255	
Macro Speed	000~255		
Internal Programs	Program 0	Speed: 000~255 Fade: 000~255	Program 0 with Adjustments
	Program 1	Speed: 000~255 Fade: 000~255	Program 1 with Adjustments
	Program 2	Speed: 000~255 Fade: 000~255	Program 2 with Adjustments
	Program 3	Speed: 000~255 Fade: 000~255	Program 3 with Adjustments
	Program 4	Speed: 000~255 Fade: 000~255	Program 4 with Adjustments

MENU	SUBMENU	OPTIONS	DESCRIPTION	
Target Mode	Target Mode	Mode 0	Target Mode	
		Mode 1		
		Mode 2		
		Mode 3		
		Mode 4		
Information	Fixture Life Time	Power On Time - XXXXXX Hours	Total Running Time (Not Resettable)	
		P-On Time-R - XXXXXX Hours	Total Running Time (Resettable)	
		P-On Time Reset - Pass Code = 050	Reset Total Running Time	
	Total LED Time	LED On Time - XXXXXX Hours	Total LED On Running Time (Not Resettable)	
		LED On Time-R - XXXXXX Hours	LED On Running Time (Resettable)	
		LED On Time Reset - Pass Code = 050	Reset LED Running Time	
	Fixture Temps	LED's	Current	Current Temperature
			Max Resettable	Maximum Temperature ⁽¹⁾ Reached (Resettable) (See Note 1)
			Max Not Resettable	Maximum Temperature ⁽²⁾ Reached (Not Resettable) (See Note 2)
		Reset LED Temp: Pass Code = 050	Reset Temperature	
	Fan Info. (RPM)	LED Fan 1: XXX	LED Fan 1 Speed	
		LED Fan 2: XXX	LED Fan 2 Speed	
		LED Fan 3: XXX	LED Fan 3 Speed	
		Head Fan: XXX	Head Fan Speed	
		Base Fan 1: XXX	Base Fan 1 Speed	
		Base Fan 2: XXX	Base Fan 2 Speed	
	DMX Values ⁽³⁾ (See Note 3)	Pan / Pan Fine / Tilt / Tilt Fine / Red (1-11) / Green (1-11) / Blue (1-11) / White (1-11) / Color (Presets 1-11) Color Macros / Base Color / Block Macro / Shutter / Dimmer / Dimmer Fine / Zoom / Zoom Fine / Dimmer Mode / Macro Speed / P/T Sp. / Spe. Func	Current DMX Values	
	Error Logs	Fixture Errors	List of Errors (One by One)	
		Reset Error Log: Yes / No - Pass Code = 050	Clear Error Log	
	Max Temp LED ON	32~169°F, 102°F ⁽⁴⁾ / 0~76°C, 39°C ⁽⁴⁾ (See Note 4)	Fixture Temp. (LED On)	
	High Temp LED OFF	170°F, 100°F ⁽⁵⁾ / 77°C, 38°C ⁽⁵⁾ (See Note 5)	Fixture Temp. (LED Off)	
Software Version	X.XX	Current Software Version		

NOTES:

- (1) Current Maximum Temperature - Maximum fixture temp. that has been recorded, before reset and after reset.
- (2) Maximum Temperature - Overall maximum fixture temp. that has been recorded. (Not Resettable)
- (3) DMX Value options depend on the DMX Channel mode the fixture is set to.
- (4) Max Temp LED ON - Normal Operating Temperature
- (5) Max Temp LED OFF - Normal Operating Temperature

SOFTWARE VERSION ≥ 1.5

MENU	SUBMENU	OPTIONS	DESCRIPTION
DMX Settings	DMX Address	001~XXX	DMX Addressing
	DMX Channel Mode	14Ch / 15Ch / 17Ch / 18Ch / 38 / 72Ch	DMX Channel Mode Selection
	No DMX Status	HoldLast / BlackOut / Int Program / Manual	DMX Lost Status
Personality	Status Settings	Pan Invert: On / Off	Reverse Pan Motion
		Tilt Invert: On / Off	Reverse Tilt Motion
		P/T Feedback: On / Off	Movement Feedback
		P/T Speed: Speed 1 / Speed 2	Pan/Tilt Movement Speed
		Hibernation: Off / 01M~99M / 15M	Sleep Setting (No Activity)
	Fan Settings	Head: Auto / High / Silent	Head Fan Setting
		Base: Auto / High / Silent	Base Fan Setting
	Dim Modes	Standard / Stage / TV / Architectural / Theatre / Stage2	Dimmer Modes
		Dim Speed: 0.1-10s	Dimming Speed
	Gamma	1.0 / 2.0 / 2.2 / 2.4 / 2.6 / 2.8	Gamma Brightness
	Reset Motors	Reset All Motors: Yes / No	Reset Pan/Tilt Motors
		Pan/Tilt Reset: Yes / No	Reset Effect Motor
		Zoom Reset: Yes / No	Reset All Motors
	Display	Intensity: 1~10 (Dimmest-Brightest)	Backlight Brightness
		Display Invert: Yes / No	Display Readout Inversion
		Screen Saver Delay: Off~10Mins	Display Blackout
		Lock On/Off: On / Off	Display Lock
	Service (Pass Code = 50)	Calibration: Pass Code = 050	Calibration
USB Port Power: On / Off		USB Port Activation	
Update Software: Yes / No		Software Update	
Factory Restore: Yes / No - Pass Code = 011		Restore Factory Settings	
Manual Control	Pan	000~255	Manual Control Settings
	Pan Fine	000~255	
	Tilt	000~255	
	Tilt Fine	000~255	
	Red 1-11	000~255	
	Green 1-11	000~255	
	Blue 1-11	000~255	
	White 1-11	000~255	
	Cto	000~255	
	Color Macros	000~255	
	Base Color	000~255	
	Block Macro	000~255	
	Shutter	000~255	
	Dimmer	000~255	
	Dimmer Fine	000~255	
	Zoom	000~255	
	Zoom Fine	000~255	
Macro Speed	000~255		
Internal Programs	Program 0	Speed: 000~255 Fade: 000~255	Program 0 with Adjustments
	Program 1	Speed: 000~255 Fade: 000~255	Program 1 with Adjustments
	Program 2	Speed: 000~255 Fade: 000~255	Program 2 with Adjustments
	Program 3	Speed: 000~255 Fade: 000~255	Program 3 with Adjustments
	Program 4	Speed: 000~255 Fade: 000~255	Program 4 with Adjustments

MENU	SUBMENU	OPTIONS	DESCRIPTION	
Target Mode	Target Mode	Mode 0	Target Mode	
		Mode 1		
		Mode 2		
		Mode 3		
		Mode 4		
Information	Fixture Life Time	Power On Time - XXXXXX Hours	Total Running Time (Not Resettable)	
		P-On Time-R - XXXXXX Hours	Total Running Time (Resettable)	
		P-On Time Reset - Pass Code = 050	Reset Total Running Time	
	Total LED Time	LED On Time - XXXXXX Hours	Total LED On Running Time (Not Resettable)	
		LED On Time-R - XXXXXX Hours	LED On Running Time (Resettable)	
		LED On Time Reset - Pass Code = 050	Reset LED Running Time	
	Fixture Temps	LED's	Current	Current Temperature
			Max Resettable	Maximum Temperature ⁽¹⁾ Reached (Resettable) (See Note 1)
			Max Not Resettable	Maximum Temperature ⁽²⁾ Reached (Not Resettable) (See Note 2)
		Reset LED Temp: Pass Code = 050	Reset Temperature	
	Fan Info. (RPM)	LED Fan 1: XXX	LED Fan 1 Speed	
		LED Fan 2: XXX	LED Fan 2 Speed	
		LED Fan 3: XXX	LED Fan 3 Speed	
		Head Fan: XXX	Head Fan Speed	
		Base Fan 1: XXX	Base Fan 1 Speed	
		Base Fan 2: XXX	Base Fan 2 Speed	
	DMX Values ⁽³⁾ (See Note 3)	Pan / Pan Fine / Tilt / Tilt Fine / Red (1-11) / Green (1-11) / Blue (1-11) / White (1-11) / Color (Presets 1-11) Color Macros / Base Color / Block Macro / Shutter / Dimmer / Dimmer Fine / Zoom / Zoom Fine / Dimmer Mode / Macro Speed / P/T Sp. / Spe. Func	Current DMX Values	
	Error Logs	Fixture Errors	List of Errors (One by One)	
		Reset Error Log: Yes / No - Pass Code = 050	Clear Error Log	
	Max Temp LED ON	32~169°F, 102°F ⁽⁴⁾ / 0~76°C, 39°C ⁽⁴⁾ (See Note 4)	Fixture Temp. (LED On)	
High Temp LED OFF	170°F, 100°F ⁽⁵⁾ / 77°C, 38°C ⁽⁵⁾ (See Note 5)	Fixture Temp. (LED Off)		
Software Version	X.XX	Current Software Version		

NOTES:

- (1) Current Maximum Temperature - Maximum fixture temp. that has been recorded, before reset and after reset.
- (2) Maximum Temperature - Overall maximum fixture temp. that has been recorded. (Not Resettable)
- (3) DMX Value options depend on the DMX Channel mode the fixture is set to.
- (4) Max Temp LED ON - Normal Operating Temperature
- (5) Max Temp LED OFF - Normal Operating Temperature

DMX SETTINGS - The submenus listed under **DMX SETTINGS** are as follows: **DMX Address**, **DMX Channel Mode**, and **No DMX Status**.

- **DMX ADDRESS** - In this submenu you can find and set your desired DMX address.
- **DMX CHANNEL MODE** - In this submenu you can find and set your desired DMX channel mode.
- **NO DMX STATUS** - This submenu setting is used as a precaution mode in case the DMX signal is lost or interrupted. The operating mode chosen in this submenu is the running mode the fixture will go into when the DMX signal is lost. Listed below are the 4 modes.
 - **Hold Last** - This setting will have the fixture stay in the last DMX setup.
 - **Blackout** - This setting will have the fixture automatically go into stand by mode (blackout).
 - **Int (Internal) Program** - This setting will have the fixture run an internal program.
 - **Manual** - This setting will have the fixture automatically go to the setup made under the “**Manual Control**” menu.

PERSONALITY - The submenus listed under **PERSONALITY** are as follows: **Status Settings**, **Fan Settings**, **Dim Modes**, **Gamma**, **Reset Motors**, **Display**, and **Service**.

- **STATUS SETTINGS** - In this submenu you are able to access and adjust/change the Pan Invert, Tilt Invert, P./T. Feedback, P./T. Speed, and Hibernation.
- **FAN SETTINGS** - In this submenu you are able to select your desired fan speed settings for both the head and base fans.
- **DIM MODES** - In this submenu you are able to select your desired dimmer mode and adjust the dimming speed time.
- **GAMMA** - In this submenu you are able to select your desired gamma setting.
- **RESET MOTORS** - In this submenu you are able to reset selected motors.
- **DISPLAY** - In this submenu you are able to access and adjust/change the backlight intensity, display inversion, screen saver display time, and display lock function.
- **SERVICE** - In this submenu you are able to access the effect calibration, USB port power on/off, software update, and restore the factory settings. **NOTE: Please contact ADJ customer service for instructions on updating software.**

MANUAL CONTROL - This menu is for manual testing and manual control. All adjustments and settings made under this menu will be reflected under the “**Manual**” setting in the “**NO DMX STATUS**” submenu. **NOTE:** For Manual Control to work “**NO DMX STATUS**” must be set to “**MANUAL**”.

INTERNAL PROGRAMS - In this menu you are able to select 1 of 5 (0-4) internal programs to run. Program running speed and fade speed are adjustable. **NOTE:** For Internal Program to work “**NO DMX STATUS**” must be set to “**Int Program**”.

TARGET MODE - Target mode is a restrictive pan/tilt control limiting the movement to a certain degree. See page 35 for a diagram of the Target mode movements.

INFORMATION - The submenus listed under **INFORMATION** are as follows: *Fixture Life Time, Total LED Time, Fixture Temps, Fan Info. (RPM), DMX Values, Error Logs, Max Temp LED ON, High Temp LED OFF, and Software Version.*

- **FIXTUE LIFE TIME**

- **Power On Time** - The total power ON running time of the unit will be displayed. This power ON time **CANNOT** be reset.
- **P-On Time-R** - The current power ON running time of the unit is displayed. This running time may not be the same as the total power ON running time displayed under “**Power On Time**”. This time **CAN** be reset.
- **P-On Time Reset** - Reset the current power ON running time that is displayed under “**P-On Time-R**”.

- **TOTAL LED TIME**

- **LED On Time** - The total LED ON time will be displayed. This total Lamp ON time **CANNOT** be reset.
- **LED On Time-R** - The current LED ON running time is displayed. This running time may not be the same as the total LED ON time displayed under “**LED On Time**”. This current LED ON time **CAN** be reset. **NOTE: The displayed time represents the current LED ON time since the last reset.**
- **LED On Time Reset** - With this function you can reset the current LED ON time that is displayed under “**LED On Time-R**”.

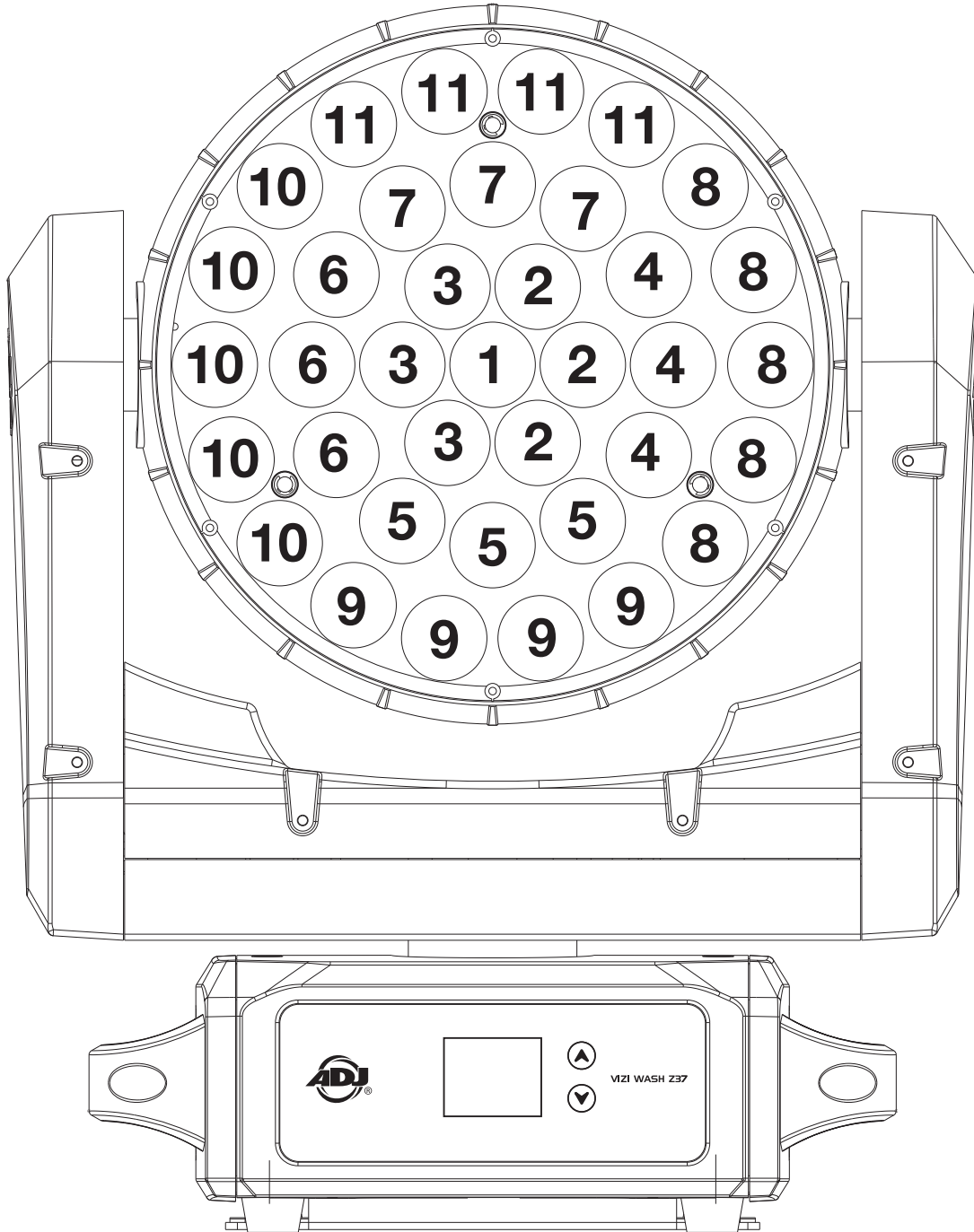
- **FIXTURE TEMPS**

• **LED's:**

- **Current** - The current LED temperature will be displayed.
- **Max Resettable** - The current highest temperature the LED has reached will be displayed. This LED temperature may not be the same as the temperature displayed under “**CURRENT**” or “**MAX NOT RESETTABLE**”. This LED temperature **CAN** be reset. **NOTE: The displayed temperature represents the highest temperature the LED has reached since the last reset.**
- **Max Not Resettable** - The highest temperature the LED has reached will be displayed. This LED temperature **CANNOT** be reset, and could continue rise.
- **RESET LED TEMP** - With this function you can reset the “**MAX RESETTABLE**” LED temperature. **NOTE: When the temperature is reset, the temperature will revert to the CURRENT LED temperature.**

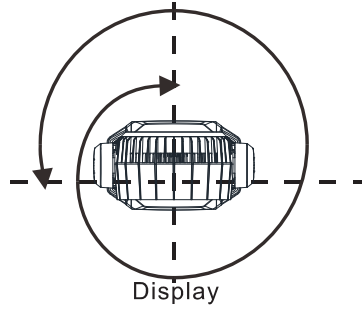
- **FAN INFO. (RPM)**
 - LED Fan 1** - Current speed of base fan 1 is displayed.
 - LED Fan 2** - Current speed of base fan 2 is displayed.
 - LED Fan 3** - Current speed of base fan 3 is displayed.
 - Head Fan** - Current speed of arm fan 1 is displayed.
 - Base Fan 1** - Current speed of arm fan 2 is displayed.
 - Base Fan 2** - Current speed of moving head fan 1 is displayed.
- **DMX VALUES** - In this submenu are able to check the DMX values of any DMX channel that is currently in use. **Note: The DMX values options displayed under this submenu depend on the DMX channel mode setting.**
- **ERROR LOGS** - in this submenu you are able to check the status of any error codes.
- **MAX TEMP LED ON** - The operating temperatures of the fixture will be displayed. **Note: This reflects the operating temperatures of the fixture when the LED is On.**
- **HIGH TEMP LED OFF** - The operating temperatures of the fixture will be displayed. **Note: This reflects the operating temperatures of the fixture when the LED is Off.**
- **SOFTWARE VERSION** - The current software version will be displayed.

Note: Zone Layout depends on PAN/TILT position of the head.

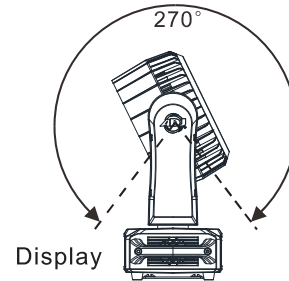


Mode 0

Pan Movement Range = 540°

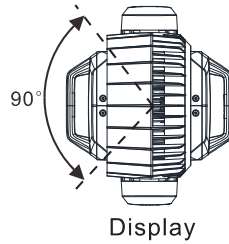


Tilt Movement Range = 270°

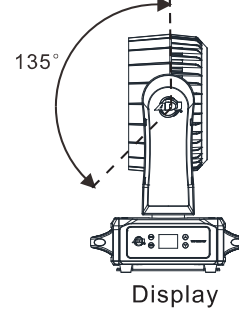


Mode 1

Pan Movement Range = 90°

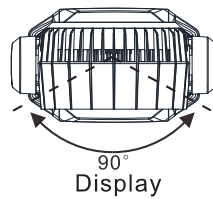


Tilt Movement Range = 135°

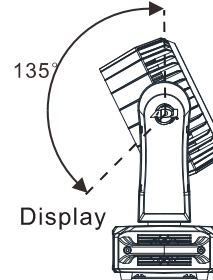


Mode 2

Pan Movement Range = 90°

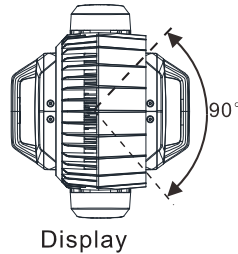


Tilt Movement Range = 135°

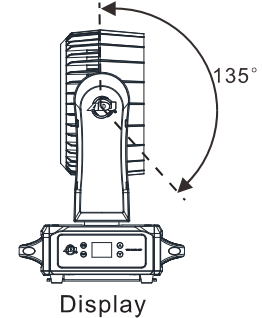


Mode 3

Pan Movement Range = 90°

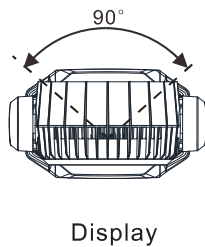


Tilt Movement Range = 135°

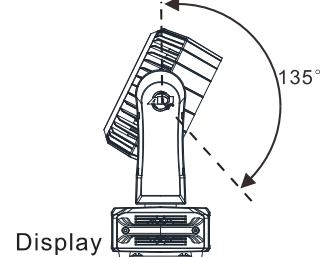


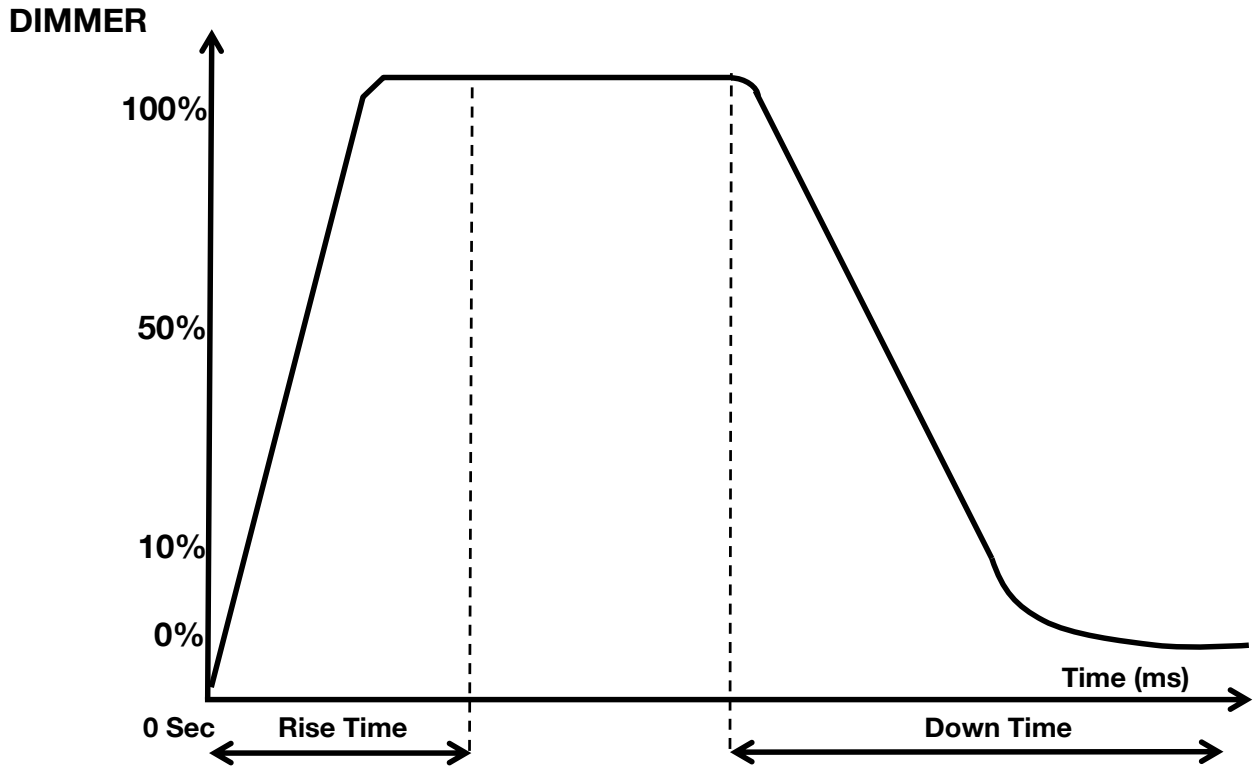
Mode 4

Pan Movement Range = 90°



Tilt Movement Range = 135°

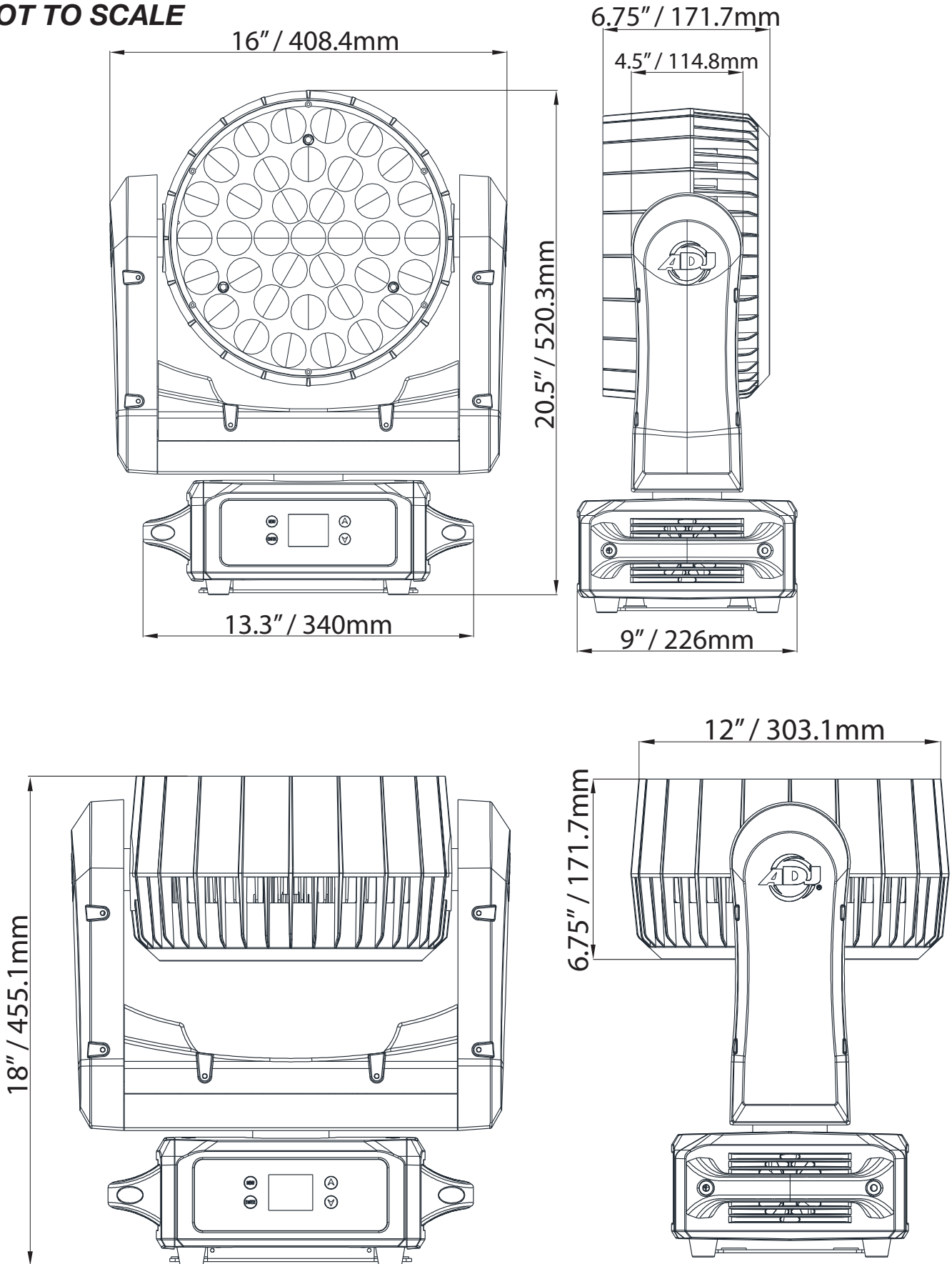




Dimming Curve Ramp Effect	0 sec Fade Time		1 sec Fade Time	
	Rise Time (ms)	Down Time (ms)	Rise Time (ms)	Down Time (ms)
Standard (default)	0	0	0	0
Stage	780	1100	1540	1660
TV	1180	1520	1860	1940
Architectural	1380	1730	2040	2120
Theatre	1580	1940	2230	2280
Stage 2	0	1100	0	1660

	Print error message	Description
1	CPU-B Error	CPU-B Error
2	CPU-C Error	CPU-C Error
3	Pan Reset Error	Pan: Reset Error
4	Pan Encoder Error	Pan: Encoder Error
5	Tilt Reset Error	Tilt: Reset Error
6	Tilt Encoder Error	Tilt: Encoder Error
7	Led Temp Error	Led Temp: Error
8	Led Temp Too High	Led Temp: Too High
9	LedFan1 start errors	Led Fan1 Can't Start
10	LedFan1 stop errors	Led Fan1 Can't Stop
11	LedFan1 slow speed	Led Fan1 Too Slow
12	LedFan1 fast speed	Led Fan1 Too Fast
13	LedFan2 start errors	LedFan2 Can't Start
14	LedFan2 stop errors	LedFan2 Can't Stop
15	LedFan2 slow speed	LedFan2 Too Slow
16	LedFan2 fast speed	LedFan2 Too Fast
17	LedFan3 start errors	LedFan3 Can't Start
18	LedFan3 stop errors	LedFan3 Can't Stop
19	LedFan3 slow speed	LedFan3 Too Slow
20	LedFan3 fast speed	LedFan3 Too Fast
21	HeadFan start errors	HeadFan Can't Start
22	HeadFan stop errors	HeadFan Can't Stop
23	HeadFan slow speed	HeadFan Too Slow
24	HeadFan fast speed	HeadFan Too Fast
25	BaseFan1 start errors	BaseFan1 Can't Start
26	BaseFan1 stop errors	BaseFan1 Can't Stop
27	BaseFan1 slow speed	BaseFan1 Too Slow
28	BaseFan1 fast speed	BaseFan1 Too Fast
29	BaseFan2 start errors	BaseFan2 Can't Start
30	BaseFan2 stop errors	BaseFan2 Can't Stop
31	BaseFan2 slow speed	BaseFan2 Too Slow
32	BaseFan2 fast speed	BaseFan2 Too Fast

***NOT TO SCALE**



Vizi Wash Z37

Multiple Unit Power Linking

With this feature you can connect the fixtures to one another using the power cable input and output sockets.

NOTE: USE CAUTION WHEN POWER LINKING OTHER FIXTURES AS THE POWER CONSUMPTION OF OTHER MODEL FIXTURES MAY EXCEED THE MAX POWER OUTPUT ON THIS FIXTURE! CHECK SILK SCREEN FOR MAX AMPS.

Vizi Wash Z37

Fuse Replacement

Unplug the unit from any power source it may be connected to. Once the power has been disconnected, use a phillips head screw driver to unscrew the fuse holder located next to the powerCON input. Remove the bad fuse and replace with a new one, and screw the fuse holder back in.

Vizi Wash Z37

Trouble Shooting

Listed below are a few common problems the user may encounter, with solutions.

Unit not responding to DMX:

1. Check that the DMX cables are connected properly and are wired correctly (pin 3 is “hot”; on some other DMX devices pin 2 may be ‘hot’). Also, check that all cables are connected to the right connectors; it does matter which way the inputs and outputs are connected.

Vizi Wash Z37

Cleaning

Due to fog residue, smoke, and dust cleaning the internal and external optical lenses must be carried out periodically to optimize light output.

1. Use normal glass cleaner and a soft cloth to wipe down the outside casing.
2. Clean the external optics with glass cleaner and a soft cloth every 20 days.
3. Always be sure to dry all parts completely before plugging the unit back in.

Cleaning frequency depends on the environment in which the fixture operates (i.e. smoke, fog residue, dust, dew).

MANUFACTURER'S LIMITED WARRANTY

- A. ADJ Products, LLC hereby warrants, to the original purchaser, ADJ Products, LLC products to be free of manufacturing defects in material and workmanship for a prescribed period from the date of purchase (see specific warranty period on reverse). This warranty shall be valid only if the product is purchased within the United States of America, including possessions and territories. It is the owner's responsibility to establish the date and place of purchase by acceptable evidence, at the time service is sought.
- B. For warranty service you must obtain a Return Authorization number (RA#) before sending back the product—please contact ADJ Products, LLC Service Department at 800-322-6337. Send the product only to the ADJ Products, LLC factory. All shipping charges must be pre-paid. If the requested repairs or service (including parts replacement) are within the terms of this warranty, ADJ Products, LLC will pay return shipping charges only to a designated point within the United States. If the entire instrument is sent, it must be shipped in its original package. No accessories should be shipped with the product. If any accessories are shipped with the product, ADJ Products, LLC shall have no liability whatsoever for loss of or damage to any such accessories, nor for the safe return thereof.
- C. This warranty is void if the serial number has been altered or removed; if the product is modified in any manner which ADJ Products, LLC concludes, after inspection, affects the reliability of the product; if the product has been repaired or serviced by anyone other than the ADJ Products, LLC factory unless prior written authorization was issued to purchaser by ADJ Products, LLC; if the product is damaged because not properly maintained as set forth in the instruction manual.
- D. This is not a service contract, and this warranty does not include maintenance, cleaning or periodic check up. During the period specified above, ADJ Products, LLC will replace defective parts at its expense with new or refurbished parts, and will absorb all expenses for warranty service and repair labor by reason of defects in material or workmanship. The sole responsibility of ADJ Products, LLC under this warranty shall be limited to the repair of the product, or replacement thereof, including parts, at the sole discretion of ADJ Products, LLC. All products covered by this warranty were manufactured after August 15, 2012, and bear indentifying marks to that effect.
- E. ADJ Products, LLC reserves the right to make changes in design and/or improvements upon its products without any obligation to include these changes in any products theretofore manufactured.

No warranty, whether expressed or implied, is given or made with respect to any accessory supplied with products described above. Except to the extent prohibited by applicable law, all implied warranties made by ADJ Products, LLC in connection with this product, including warranties of merchantability or fitness, are limited in duration to the warranty period set forth above. And no warranties, whether expressed or implied, including warranties of merchantability or fitness, shall apply to this product after said period has expired. The consumer's and/or Dealer's sole remedy shall be such repair or replacement as is expressly provided above; and under no circumstances shall ADJ Products, LLC be liable for any loss or damage, direct or consequential, arising out of the use of, or inability to use, this product.

This warranty is the only written warranty applicable to ADJ Products, LLC Products and supersedes all prior warranties and written descriptions of warranty terms and conditions heretofore published.

MANUFACTURER'S LIMITED WARRANTY PERIODS:

- **Non L.E.D. Lighting Products = 1-year (365 days) Limited Warranty** (Such as: Special Effect Lighting, Intelligent Lighting, UV lighting, Strobes, Fog Machines, Bubble Machines, Mirror Balls, Par Cans, Trussing, Lighting Stands etc. excluding LED and lamps)
- **Laser Products = 1 Year (365 Days) Limited Warranty** (excluding laser diodes which have a 6 month limited warranty)
- **L.E.D. Products = 2-year (730 days) Limited Warranty** (excluding batteries which have a 180 day limited warranty).
Note: 2 Year Warranty only applies to purchases within the United States.
- **StarTec Series = 1 Year Limited Warranty** (excluding batteries which have a 180 day limited warranty).
- **ADJ DMX Controllers = 2 Year (730 Days) Limited Warranty**

Voltage:	100V ~ 240V / 50~60Hz
LEDs:	37 x 20W Osram RGBW (4-in-1) LEDs
LED Life:	20,000 Hours Average LED Life*
Working Position:	Any safe working position
Power Draw:	525W
Weight:	40 lbs. / 18 Kgs.
Dimensions:	16" (L) x 9" (W) x 20.5" (H) 408.4 x 226 x 520.3 mm
DMX Channels:	4 DMX Modes: 14/16/17/71 (Ver \leq 1.0) 5 DMX Modes: 14/15/17/18/72 (Ver 1.3-1.4) 6 DMX Modes: 14/15/17/18/38/72 (Ver \geq 1.5)
Warranty:	2 Years (730 days)
Ratings/Approval:	ETL Approved

* May vary depending on several factors including but not limited to:
Environmental Conditions, Power/Voltage, Usage Patterns (On/Off Cycling), Control, and Dimming

Please Note: Specifications and improvements in the design of this units and this manual are subject to change.

