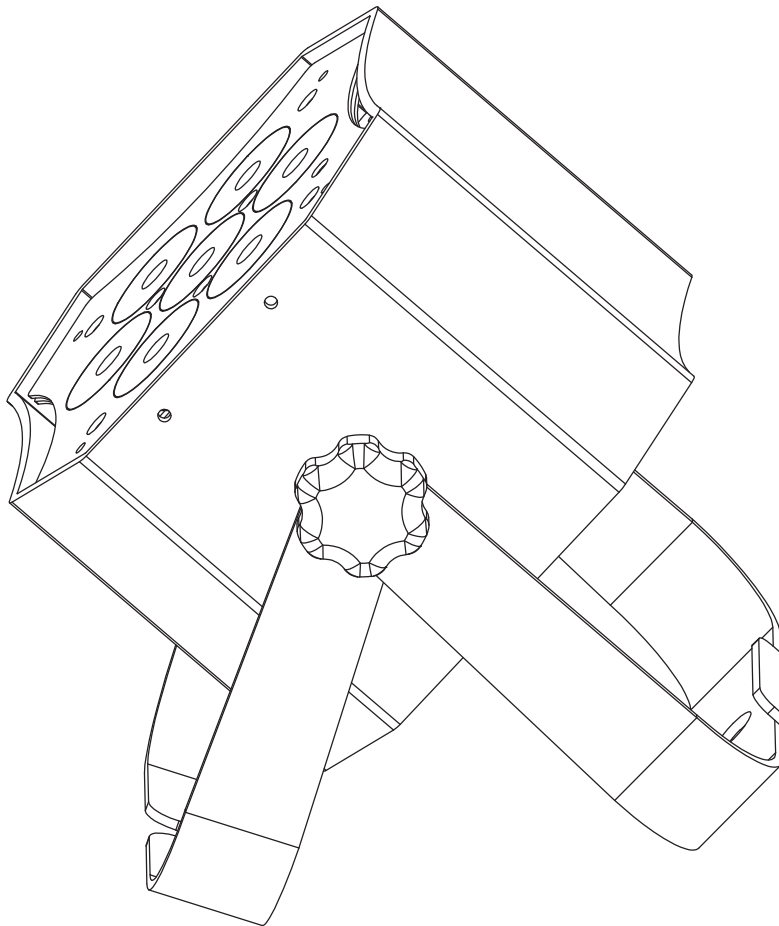




# MOD STQ



## ***User Instructions***

©2020 ADJ Products, LLC all rights reserved. Information, specifications, diagrams, images, and instructions herein are subject to change without notice. ADJ Products, LLC logo and identifying product names and numbers herein are trademarks of ADJ Products, LLC. Copyright protection claimed includes all forms and matters of copyrightable materials and information now allowed by statutory or judicial law or hereinafter granted. Product names used in this document may be trademarks or registered trademarks of their respective companies and are hereby acknowledged. All non-ADJ Products, LLC brands and product names are trademarks or registered trademarks of their respective companies.

**ADJ Products, LLC** and all affiliated companies hereby disclaim any and all liabilities for property, equipment, building, and electrical damages, injuries to any persons, and direct or indirect economic loss associated with the use or reliance of any information contained within this document, and/or as a result of the improper, unsafe, insufficient and negligent assembly, installation, rigging, and operation of this product.

#### **FCC STATEMENT**

This device complies with Part 15 of the FCC Rules. Operation is subject to the following two conditions: (1) this device may not cause harmful interference, and (2) this device must accept any interference received, including interference that may cause undesired operation.

#### **FCC RADIO FREQUENCY INTERFERENCE WARNINGS & INSTRUCTIONS**

This product has been tested and found to comply with the limits as per Part 15 of the FCC Rules. These limits are designed to provide reasonable protection against harmful interference in a residential installation. This device uses and can radiate radio frequency energy and, if not installed and used in accordance with the included instructions, may cause harmful interference to radio communications. However, there is no guarantee that interference will not occur in a particular installation. If this device does cause harmful interference to radio or television reception, which can be determined by turning the device off and on, the user is encouraged to try to correct the interference by one or more of the following methods:

- Reorient or relocate the device.
- Increase the separation between the device and the receiver.
- Connect the device to an electrical outlet on a circuit different from which the radio receiver is connected.
- Consult the dealer or an experienced radio/TV technician for help.

## **DOCUMENT VERSION**

Due to additional product features and/or enhancements, an updated version of this document may be available online.

Please check [www.adj.com](http://www.adj.com) for the latest revision/update of this manual before beginning installation and/or programming.

<b>Date</b>	<b>Document Version</b>	<b>Software Version <math>\geq</math></b>	<b>DMX Channel Mode</b>	<b>Notes</b>
10/01/19	1	1.00	4/5//7/8/9/12/13/15	Initial Version
09/01/20	2	1.01	No Change	Updated primary/secondary

Europe Energy Saving Notice

Energy Saving Matters (EuP 2009/125/EC)

Saving electric energy is a key to help protecting the environment. Please turn off all electrical products when they are not in use. To avoid power consumption in idle mode, disconnect all electrical equipment from power when not in use. Thank you!

Introduction	3
Features   Warranty Registration	4
Safety Guidelines	5
Overview	6
Installation	7
DMX Set Up	8
DMX Addressing	10
DMX Modes & Values	11
Color Macro Chart	13
System Menu	15
Primary-Secondary Set Up	18
UC IR & Airstream Remote Control	19
Dimmer Curve Chart	20
Dimensional Drawings   Frost Filter Install	21
Power Linking   Trouble Shooting   Cleaning	22
Limited Warranty (USA Only)	23
Technical Specifications	24

**Unpacking:** Thank you for purchasing the MOD STQ by ADJ Products, LLC. Every MOD STQ has been thoroughly tested and has been shipped in perfect operating condition. Carefully check the shipping carton for damage that may have occurred during shipping. If the carton appears to be damaged, carefully inspect your fixture for any damage and be sure all accessories necessary to operate the unit has arrived intact. In the case damage has been found or parts are missing, please contact our toll free customer support number for further instructions. Do not return this unit to your dealer without first contacting customer support.

**Introduction:** The ADJ MOD STQ is a DMX intelligent, high powered LED par fixture. This fixture can be used in a stand alone set up or connected in a Primary/Secondary set up. To optimize the performance of this product, please read these operating instructions carefully to familiarize yourself with the basic operations of this unit. These instructions contain important safety information regarding the use and maintenance of this unit. Please keep this manual with the unit, for future reference.

**Customer Support:** Contact ADJ Service for any product related service and support needs. Also visit [forums.adj.com](http://forums.adj.com) with questions, comments or suggestions.

**Parts:** To purchase parts online visit:

<http://parts.adj.com> (US)

<http://www.adjparts.eu> (EU)

**ADJ SERVICE USA - Monday - Friday 8:00am to 4:30pm PST**

Voice: 800-322-6337 | Fax: 323-582-2941 | [support@adj.com](mailto:support@adj.com)

**ADJ SERVICE EUROPE - Monday - Friday 08:30 to 17:00 CET**

Voice: +31 45 546 85 60 | Fax: +31 45 546 85 96 | [support@adj.eu](mailto:support@adj.eu)

#### **ADJ PRODUCTS LLC USA**

6122 S. Eastern Ave. Los Angeles, CA. 90040

323-582-2650 | Fax 323-532-2941 | [www.adj.com](http://www.adj.com) | [info@adj.com](mailto:info@adj.com)

#### **ADJ SUPPLY Europe B.V**

Junostraat 2 6468 EW Kerkrade, The Netherlands

+31 (0)45 546 85 00 | Fax +31 45 546 85 99

[www.adj.eu](http://www.adj.eu) | [info@adj.eu](mailto:info@adj.eu)

#### **ADJ PRODUCTS GROUP Mexico**

AV Santa Ana 30 Parque Industrial Lerma, Lerma, Mexico 52000

+52 (728) 282-7070

**Caution!** There are no user serviceable parts inside this unit. Do not attempt any repairs yourself, doing so will void your manufactures warranty. In the unlikely event your unit may require service please contact ADJ Products, LLC.

***PLEASE recycle the shipping carton when ever possible.***

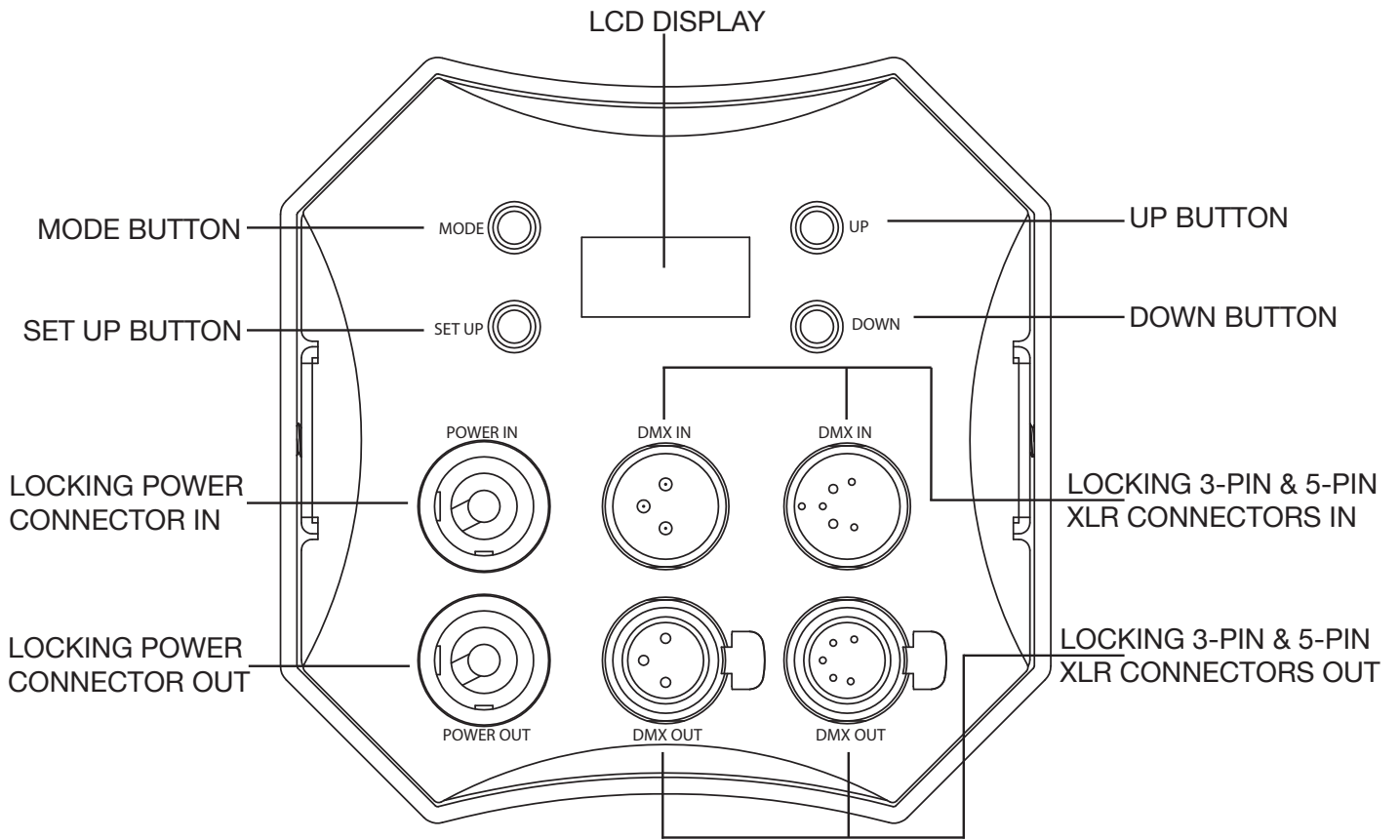
- Multi-Colors
- Electronic Dimming 0-100%
- Built in Microphone
- DMX-512 protocol
- Locking 3-Pin & 5-Pin XLR Connections In/Out
- 8 DMX Channel Modes: 4 / 5 / 7 / 8 / 9 / 12 / 13 / 15
- ADJ UC IR compatible and Airstream IR compatible
- Multiple Unit Power Linking (See page 22)

**INCLUDED:**

- 1 x Scissor Yoke
- 1 x Locking Power Cable
- 3 x Frost Filters (20/40/60 Degrees)

The MOD STQ carries a 2 year limited warranty. Please fill out the enclosed warranty card to validate your purchase. All returned service items whether under warranty or not, must be freight pre-paid and accompany a return authorization (R.A.) number. The R.A. number must be clearly written on the outside of the return package. A brief description of the problem as well as the R.A. number must also be written down on a piece of paper included in the shipping carton. If the unit is under warranty, you must provide a copy of your proof of purchase invoice. You may obtain a R.A. number by contacting our customer support team on our customer support number. All packages returned to the service department not displaying a R.A. number on the outside of the package will be returned to the shipper.

- Do not attempt to operate this unit if the power cord has been frayed or broken. Do not attempt to remove or break off the ground prong from the electrical cord. This prong is used to reduce the risk of electrical shock and fire in case of an internal short.
- Disconnect from main power before making any type of connection.
- Do not remove the cover under any conditions. There are no user serviceable parts inside.
- Never operate this unit when it's cover is removed.
- Never plug this unit in to a dimmer pack
- Always be sure to mount this unit in an area that will allow proper ventilation. Allow about 6" (15cm) between this device and a wall.
- Do not attempt to operate this unit, if it becomes damaged.
- During long periods of non-use, disconnect the unit's main power.
- Always mount this unit in safe and stable matter.
- Power-supply cords should be routed so that they are not likely to be walked on or pinched by items placed upon or against them, paying particular attention to the point they exit from the unit.
- Cleaning -The fixture should be cleaned only as recommended by the manufacturer. See page 23 for cleaning details.
- Heat -The appliance should be situated away from heat sources such as radiators, heat registers, stoves, or other appliances (including amplifiers) that produce heat.
- The fixture should be serviced by qualified service personnel when:
  - A. The power-supply cord or the plug has been damaged.
  - B. Objects have fallen, or liquid has been spilled into the fixture.
  - C. The fixture does not appear to operate normally or exhibits a marked change in performance.
  - D. The fixture has fallen and/or subjected to extreme handling.

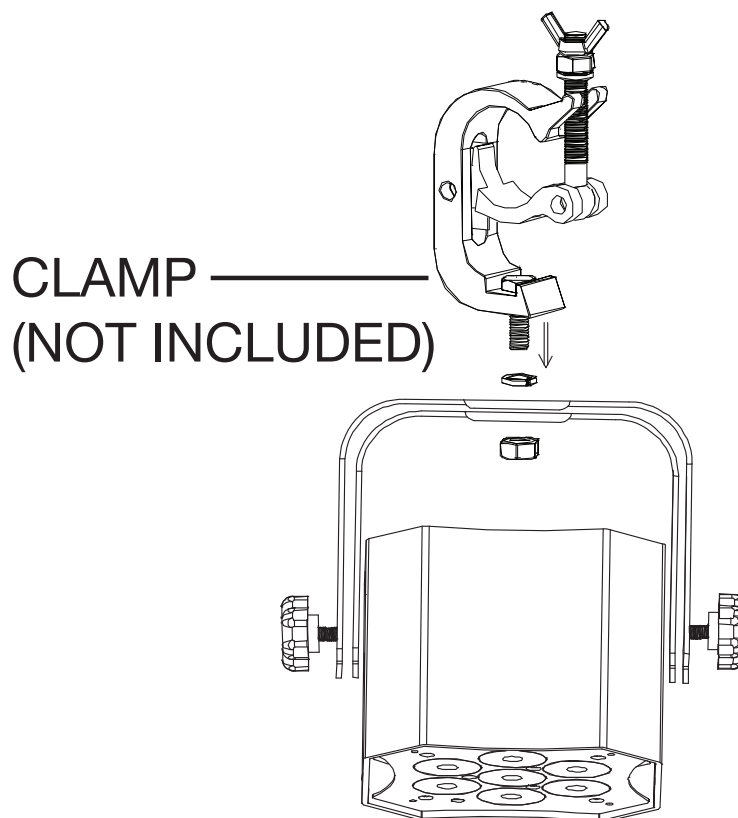


When installing the unit, the trussing or area of installation must be able to hold 10 times the weight without any deformation. When installing the unit must be secured with a secondary safety attachment, e.g. and appropriate safety cable. Never stand directly below the unit when mounting, removing, or servicing the unit.

Overhead mounting requires extensive experience, including calculating working load limits, installation material being used, and periodic safety inspection of all installation material and unit. If you lack these qualifications, do not attempt the installation yourself.

These installation should be checked by a skilled person once a year.

**NOTICE:** The suitable environmental temperature for this lighting fixture is between  $-25^{\circ}\text{C}$  to  $45^{\circ}\text{C}$ . Do not place this lighting fixture in an environment where the temperatures are under or above the temperatures stated above. This will allow the fixture to run at its best and help prolong the fixture life.



Screw one clamp via a M12 screw and nut into the bracket. Pull a safety cable through the opening(s) located on either side of the bracket and over the trussing system or a safe fixation spot. Insert the end in the carabine and tighten the safety screw.

The MOD STQ is fully operational in three different mounting positions, hanging upside-down from a ceiling or trussing, sideways on trussing, or set on a flat level surface. Be sure this fixture is kept at least 12m (40ft) away from any flammable materials (decoration etc.). Always use and install the supplied safety cable as a safety measure to prevent accidental damage and/or injury in the event the clamp fails (see next page). Never use the carrying handles for secondary attachment.



**DMX-512:** DMX is short for Digital Multiplex. This is a universal protocol used as a form of communication between intelligent fixtures and controllers. A DMX controller sends DMX data instructions from the controller to the fixture. DMX data is sent as serial data that travels from fixture to fixture via the DATA “IN” and DATA “OUT” XLR terminals located on all DMX fixtures (most controllers only have a DATA “OUT” terminal).

**DMX Linking:** DMX is a language allowing all makes and models of different manufactures to be linked together and operate from a single controller, as long as all fixtures and the controller are DMX compliant. To ensure proper DMX data transmission, when using several DMX fixtures try to use the shortest cable path possible. The order in which fixtures are connected in a DMX line does not influence the DMX addressing. For example; a fixture assigned a DMX address of 1 may be placed anywhere in a DMX line, at the beginning, at the end, or anywhere in the middle. When a fixture is assigned a DMX address of 1, the DMX controller knows to send DATA assigned to address 1 to that unit, no matter where it is located in the DMX chain.

**Data Cable (DMX Cable) Requirements (For DMX Operation):** The MOD STQ can be controlled via DMX-512 protocol. The DMX address is set on the rear panel of the MOD STQ. Your unit and your DMX controller require a standard 3-pin XLR connector for data input and data output (Figure 1). We recommend Accu-Cable DMX cables. If you are making your own cables, be sure to use standard 110-120 Ohm shielded cable (This cable may be purchased at almost all pro lighting stores). Your cables should be made with a male and female XLR connector on either end of the cable. Also remember that DMX cable must be daisy chained and cannot be split.



Figure 1

**Notice:** Be sure to follow figures two and three when making your own cables. Do not use the ground lug on the XLR connector. Do not connect the cable’s shield conductor to the ground lug or allow the shield conductor to come in contact with the XLR’s outer casing. Grounding the shield could cause a short circuit and erratic behavior.

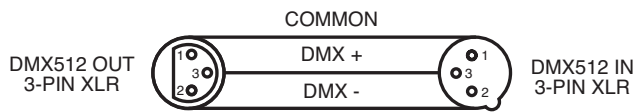


Figure 2

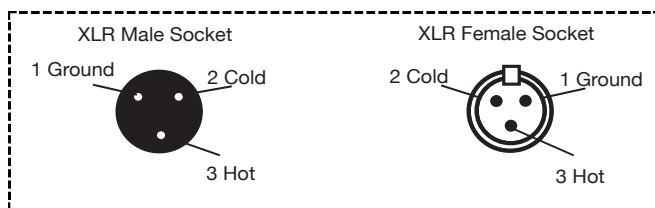


Figure 3

XLR Pin Configuration
Pin 1 = Ground
Pin 2 = Data Compliment (negative)
Pin 3 = Data True (positive)

**Special Note: Line Termination.** When longer runs of cable are used, you may need to use a terminator on the last unit to avoid erratic behavior. A terminator is a 110-120 ohm 1/4 watt resistor which is connected between pins 2 and 3 of a male XLR connector (DATA + and DATA -). This unit is inserted in the female XLR connector of the last unit in your daisy chain to terminate the line. Using a cable terminator (ADJ part number Z-DMX/T) will decrease the possibilities of erratic behavior.



Termination reduces signal errors and avoids signal transmission problems and interference. It is always advisable to connect a DMX terminal, (Resistance 120 Ohm 1/4 W) between PIN 2 (DMX-) and PIN 3 (DMX +) of the last fixture.

Figure 4

**5-Pin XLR DMX Connectors.** Some manufactures use 5-pin DMX-512 data cables for DATA transmission in place of 3-pin. 5-pin DMX fixtures may be implemented in a 3-pin DMX line. When inserting standard 5-pin data cables in to a 3-pin line a cable adaptor must be used, these adaptors are readily available at most electric stores. The chart below details a proper cable conversion.

3-Pin XLR to 5-Pin XLR Conversion		
Conductor	3-Pin XLR Female (Out)	5-Pin XLR Male (In)
Ground/Shield	Pin 1	Pin 1
Data Compliment (- signal)	Pin 2	Pin 2
Data True (+ signal)	Pin 3	Pin 3
Not Used		Do Not Use
Not Used		Do Not Use

**DMX ADDRESSING**

All fixtures should be given a DMX starting address when using a DMX controller, so the correct fixture responds to the correct control signal. This digital starting address is the channel number from which the fixture starts to “listen” to the digital control signal sent out from the DMX controller. The assignment of this starting DMX address is achieved by setting the correct DMX address on the digital control display on the fixture.

You can set the same starting address for all fixtures or a group of fixtures, or set different addresses for each individual fixture. Setting all fixtures to the same DMX address will cause all fixtures to react in the same way, in other words, changing the settings of one channel will affect all the fixtures simultaneously.

If you set each fixture to a different DMX address, each unit will start to “listen” to the channel number you have set, based on the quantity of DMX channels of each fixture. That means changing the settings of one channel will only affect the selected fixture.

In the case of the MOD STQ, when in 4 Channel you should set the starting DMX address of the first unit to 1, the second unit to 5 (4 + 1), the third unit to 9 (5 + 4), and so on. (See chart below for more details.)

Channel Mode	Unit 1 Address	Unit 2 Address	Unit 3 Address	Unit 4 Address
4 channels	1	5	9	13
5 channels	1	6	11	16
7 channels	1	8	15	22
8 channels	1	9	17	25
9 channels	1	10	19	28
12 channels	1	13	25	37
13 channels	1	14	27	40
15 channels	1	16	31	46

4 Ch	5 Ch	7 Ch	8 Ch	9 Ch	12 Ch	13 Ch	15 Ch	VALUES	FUNCTIONS
1	1	1	1	1	1	1	1	000-255	<b>RED</b> 0-100%
2	2	2	2	2	2	2	2	000-255	<b>GREEN</b> 0-100%
3	3	3	3	3	3	3	3	000-255	<b>BLUE</b> 0-100%
4	4	4	4	4	4	4	4	000-255	<b>WHITE</b> 0-100%
	5		5	5	5	5	5	000-255	<b>COLOR MACROS</b> See pages 14-15 for Macro Chart
				6	6	6	6	000-255	<b>COLOR TEMPERATURE</b> 2700-6500K
									<b>SHUTTER &amp; STROBE</b>
								000-031	Closed
								032-063	Open
								064-095	Strobing Slow-Fast
		5	6	7	7	7	7	096-127	Open
								128-159	Pulse Effect
								160-191	Open
								192-223	Random Strobing Slow-Fast
								224-255	Open
		6	7	8	8	8	8	000-255	<b>MASTER DIMMER</b> 0-100%
		7	8	9	9	9	9	000-255	<b>MASTER DIMMER FINE</b>
									<b>AUTO PROGRAMS</b>
								000-010	No Function
								011-020	Auto Program 1
								021-030	Auto Program 2
								031-040	Auto Program 3
								041-050	Auto Program 4
								051-060	Auto Program 5
								061-070	Auto Program 6
								071-080	Auto Program 7
					10	10	10	081-090	Auto Program 8
								091-100	Auto Program 9
								101-110	Auto Program 10
								111-120	Auto Program 11
								121-130	Auto Program 12
								131-140	Auto Program 13
								141-150	Auto Program 14
								151-160	Auto Program 15
								161-170	Auto Program 16
								171-255	No Function
					11	11	11	000-255	<b>AUTO PROGRAM SPEED</b> Slow-Fast
					12	12	12	000-255	<b>AUTO PROGRAM FADE</b> Less-More or Slow-Fast

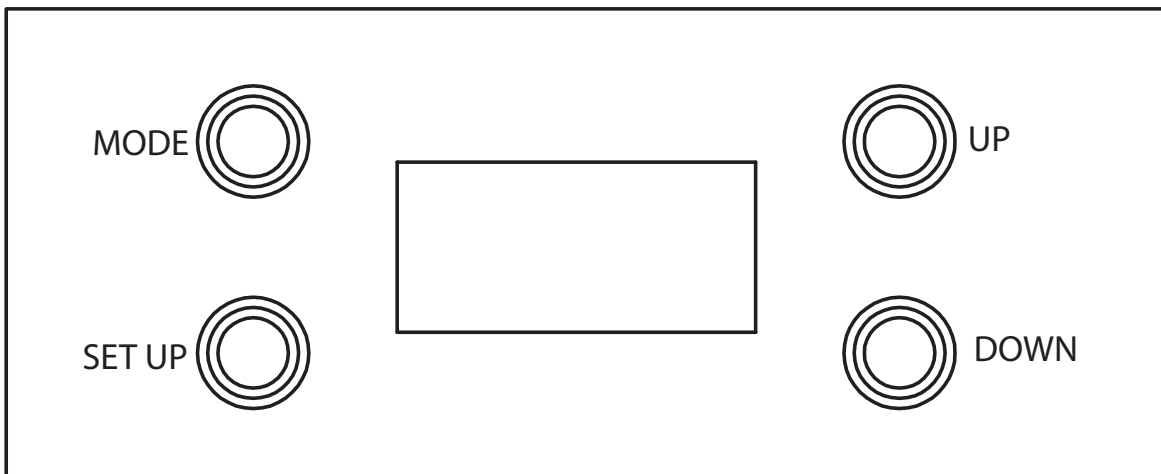
4 Ch	5 Ch	7 Ch	8 Ch	9 Ch	12 Ch	13 Ch	15 Ch	VALUES	FUNCTIONS
									<b>DIMMER MODES</b>
								000-020	Standard
								021-040	Stage
								041-060	TV
								061-080	Architectural
								081-100	Theatre
								101-120	Stage 2
									<b>DIMMER DELAY TIME</b>
								121	0.1Sec.
								122	0.2Sec.
								123	0.3Sec.
								124	0.4Sec.
								125	0.5Sec.
						13	13	126	0.6Sec.
								127	0.7Sec.
								128	0.8Sec.
								129	0.9Sec.
								130	1.0Sec.
								131	1.5Sec.
								132	2.0Sec.
								133	3.0Sec.
								134	4.0Sec.
								135	5.0Sec.
								136	6.0Sec.
								137	7.0Sec.
								138	8.0Sec.
								139	9.0Sec.
								140	10Sec.
								141-255	Default to Unit Setting
									<b>REFRESH RATES</b>
								000-015	Default to Unit Setting
								016-030	900Hz
								031-045	1000Hz
								046-060	1100Hz
								061-075	1200Hz
								076-090	1300Hz
								091-105	1400Hz
								106-120	1500Hz
								121-135	2500Hz
								136-150	4000Hz
								151-165	5000Hz
								166-180	10000Hz
								181-195	15000Hz
								196-210	20000Hz
								211-225	25000Hz
								226-255	No Function
									<b>GAMMA</b>
								000-020	Default to Unit Setting
								021-040	2.0
								041-060	2.2
								061-080	2.4
								081-100	2.6
								101-120	2.8
								121-255	No Function

Color No.	DMX VAULE	RGBW COLOR INTENSITY			
		RED	GREEN	BLUE	WHITE
OFF	0	0	0	0	0
Color1	1-4	80	255	234	80
Color2	5-8	80	255	164	80
Color3	9-12	77	255	112	77
Color4	13-16	117	255	83	83
Color5	17-20	160	255	77	77
Color6	21-24	223	255	83	83
Color7	25-28	255	243	77	77
Color8	29-32	255	200	74	74
Color9	33-36	255	166	77	77
Color10	37-40	255	125	74	74
Color11	41-44	255	97	77	74
Color12	45-48	255	71	77	71
Color13	49-52	255	83	134	83
Color14	53-56	255	93	182	93
Color15	57-60	255	96	236	96
Color16	61-64	238	93	255	93
Color17	65-68	196	87	255	87
Color18	69-72	150	90	255	90
Color19	73-76	100	77	255	77
Color20	77-80	77	100	255	77
Color21	81-84	67	148	255	67
Color22	85-88	77	195	255	77
Color23	89-92	77	234	255	77
Color24	93-96	158	255	144	144
Color25	97-100	255	251	153	153
Color26	101-104	255	175	147	147
Color27	105-108	255	138	186	138
Color28	109-112	255	147	251	147
Color29	113-116	151	138	255	138
Color30	117-120	99	0	255	100
Color31	121-124	138	169	255	138
Color32	125-128	255	255	255	255

Color No.	DMX VAULE	RGBW COLOR INTENSITY			
		RED	GREEN	BLUE	WHITE
Color33	129-132	255	206	143	0
Color34	133-136	254	177	153	0
Color35	137-140	254	192	138	0
Color36	141-144	254	165	98	0
Color37	145-148	254	121	0	0
Color38	149-152	176	17	0	0
Color39	153-156	96	0	11	0
Color40	157-160	234	139	171	0
Color41	161-164	224	5	97	0
Color42	165-168	175	77	173	0
Color43	169-172	119	130	199	0
Color44	173-176	147	164	212	0
Color45	177-180	88	2	163	0
Color46	181-184	0	38	86	0
Color47	185-188	0	142	208	0
Color48	189-192	52	148	209	0
Color49	193-196	1	134	201	0
Color50	197-200	0	145	212	0
Color51	201-204	0	121	192	0
Color52	205-208	0	129	184	0
Color53	209-212	0	83	115	0
Color54	213-216	0	97	166	0
Color55	217-220	1	100	167	0
Color56	221-224	0	40	86	0
Color57	225-228	209	219	182	0
Color58	229-232	42	165	85	0
Color59	233-236	0	46	35	0
Color60	237-240	8	107	222	0
Color61	241-244	255	0	0	0
Color62	245-248	0	255	0	0
Color63	249-252	0	0	255	0
Color64	253-255	0	0	0	255

## SYSTEM MENU

The fixture includes an easy to navigate system menu control panel display where all necessary settings and adjustments are made. (See image below) During normal operation, pressing the **MODE** button once will access the fixture's main menu. Once in the main menu, you can navigate through the different functions and access the sub-menus with the **UP** and **DOWN** buttons. When you reach a field that requires adjusting, press the **ENTER** button to access that field and use the **UP** and **DOWN** buttons to adjust the field. Pressing the **ENTER** button once more will confirm your setting. You may exit the main menu at any time without making any adjustments by pressing the **MODE** button.





MENU	SUBMENU	OPTIONS	DESCRIPTION
<b>DMX MODE</b>	ADDR:	001-XXX	DMX Addressing
	CHAN:	4 / 5 / 7 / 8 / 9 / 12 / 13 / 15	DMX Channel Mode Selection
	NO:	HOLD / BLACK / PROG	DMX Lost Status
<b>PERSON (Personality)</b>	PRIMARY:	ON / OFF	Primary Setting
	SECONDARY:	ON / OFF	Secondary Setting
	Standard / Stage / TV / Archi / Theatre / Stage2 Speed: 0.1-0.9s ~ 1-10s		Dimming Modes Dimming Speed
	1200 / 900-1500 / 2500 / 4000 / 5000 / 6000 / 10000 / 15000 / 20000 / 25000 (Hz)		LED Refresh Rate Setting
	GMA:	1.0 / 2.0 / 2.2 / 2.4 / 2.6 / 2.8	Gamma Brightness
	BACK:	OFF~10M	Display Shutoff Time
	LOCK:	OFF~10M	Display Control Lock
	CALI:	YES / NO (Pass Code = 11)	Calibration Adjustment
	REST:	YES / NO (Pass Code = 11)	Restore Factory Settings
<b>MANUAL</b>	RED	000-255	Manual Control Settings
	GREEN (Green)	000-255	
	BLUE	000-255	
	WHIT (White)	000-255	
	CLRMA (Color Macro)	0-64	
	CRTP (Color Temp.)	0-21	
	STROB (Strobe)	0-16	
	DIM (Master Dimmer)	000-255	
	AtPr (Auto Program)	0-16	
	SPEED (Prog. Speed)	0-16	
FADE (Prog. Fade)	0-16		
<b>IntProgs (Internal Programs)</b>	Program 0	Speed: 0~16 Fade: 0~16 Sound: ON / OFF	Program 0 with Adjustments
	Program 1	Speed: 0~16 Fade: 0~16 Sound: ON / OFF	Program 1 with Adjustments
	Program 2	Speed: 0~16 Fade: 0~16 Sound: ON / OFF	Program 2 with Adjustments
	Program 3	Speed: 0~16 Fade: 0~16 Sound: ON / OFF	Program 3 with Adjustments
	Program 4	Speed: 0~16 Fade: 0~16 Sound: ON / OFF	Program 4 with Adjustments
	Program 5	Speed: 0~16 Fade: 0~16 Sound: ON / OFF	Program 5 with Adjustments
	Program 6	Speed: 0~16 Fade: 0~16 Sound: ON / OFF	Program 6 with Adjustments
	Program 7	Speed: 0~16 Fade: 0~16 Sound: ON / OFF	Program 7 with Adjustments
	Program 8	Speed: 0~16 Fade: 0~16 Sound: ON / OFF	Program 8 with Adjustments
	Program 9	Speed: 0~16 Fade: 0~16 Sound: ON / OFF	Program 9 with Adjustments
	Program 10	Speed: 0~16 Fade: 0~16 Sound: ON / OFF	Program 10 with Adjustments
	Program 11	Speed: 0~16 Fade: 0~16 Sound: ON / OFF	Program 11 with Adjustments
	Program 12	Speed: 0~16 Fade: 0~16 Sound: ON / OFF	Program 12 with Adjustments
	Program 13	Speed: 0~16 Fade: 0~16 Sound: ON / OFF	Program 13 with Adjustments
	Program 14	Speed: 0~16 Fade: 0~16 Sound: ON / OFF	Program 14 with Adjustments
	Program 15	Speed: 0~16 Fade: 0~16 Sound: ON / OFF	Program 15 with Adjustments
	Program 16	Speed: 0~16 Fade: 0~16 Sound: ON / OFF	Program 16 with Adjustments
<b>PwronHr1: XXXXXXXH</b>			Total Power On Time (Not Resettable)
<b>PwronHr2: XXXXXXXH</b>			Current Power On Time (Resettable)
<b>PwronRst: Pass Code = 050</b>			Reset Current Power On Time
<b>INFORMAT TMP: XXX F / XXX C</b>			Current Temperature
<b>INFORMAT: VX.XX</b>			Current Software Version

**DMX MODE** - The submenus listed under **DMX MODE** are as follows: **ADDR (Address)**, **CHAN (Channel Mode)**, and **NO (No DMX Status)**.

- **ADDR** - In this submenu you are able to find and set your desired DMX address.
- **CHAN** - In this submenu you are able to find and set your desired DMX channel mode.
- **NO** - This setting is used as a precaution mode in case the DMX signal is lost or interrupted. The operating mode chosen is the running mode the fixture will go into when the DMX signal is lost. Listed below are the 3 modes.
  - **HOLD** - This setting will have the fixture stay in the last DMX setup.
  - **BLACK** - This setting will have the fixture automatically go into blackout mode.
  - **PROG** - This setting will have the fixture automatically run 1 of 17 (0-16) internal programs.

**PERSON (PERSONALITY)** - The submenus listed under **PERSON (PERSONALITY)** are as follows: **PRIMARY**, **SECONDRY (Secondary)**, **Dim Mode**, **LED Refresh Rate (LEDRfrsh)**, **Gamma**, **Display**, and **Service**.

- **PRIMARY** - Set the unit to act as the primary unit in a primary-secondary set up.
- **SECONDRY (Secondary)** - Set the unit to act as the secondary unit in a primary-secondary set up.
- **Dimming Modes & Dimming Speed Settings** - In this submenu you are able to set your desired dimmer mode or dimming speed.
- **LED Refresh Rate Setting** - In this submenu you are able to set your desired LED refresh rate.
- **GMA (Gamma)** - In this submenu you are able to set your desired gamma brightness.
- **BACK (Display Blackout)** - In this submenu you you are able to adjust and set the display backlight blackout time.
- **LOCK (Display Lock)** - In this submenu you are able to adjust the display/system lock time.
- **CALI (Calibration Adjustment)** - In this submenu you you are able to adjust the calibration settings.
- **REST (Factory Settings)** - In this submenu you are able to reset the unit to its factory/default settings.

**MANUAL** - This submenu is for manual control and testing.

**INTPROGS (INTERNAL PROGRAMS)** - This menu allows you to select 1 of 16 (0-16) internal programs to run. The internal program speed and fade speeds are adjustable. The internal programs can also be run as sound active.

**INFORMATION** - The submenus listed under **INFORMATION** are as follows: *Fixture Hours*, *Fixture Temperature*, and *Software Version*.

- **HOURS (FIXTURE HOURS)**

- **PwrOnHr1** - The **TOTAL** power ON running time of the unit is displayed. This time **CANNOT** be reset.
- **PwrOnHr2** - The **CURRENT** power ON running time of the unit is displayed. This running time may not be the same as the total power ON running time displayed under **"Power On Time"**. This time **CAN** be reset.
- **PwrOnRst** - Reset the current power ON running time that is displayed under **"PwrOnHr2"**.

- **INFORMAT TMP (FIXTURE TEMPERATURE)**

**XXX F / XXX C** - Current temperature

- **INFORMAT VX.XX (Software Version)** - Current software version is displayed.

**Primary-Secondary Set Up:**

This function will allow the user to link units together to run in a Primary-Secondary set-up. In a Primary-Secondary set up, one unit will act as the controlling unit and the others will react to the controlling units operating mode. Any unit can act as a Primary or as a Secondary, however, only one unit can be programmed to act as the "Primary."

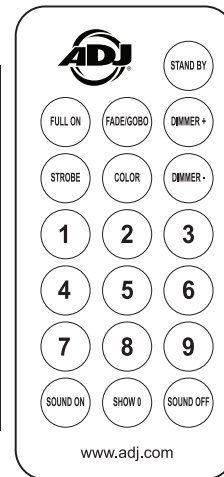
**Primary-Secondary Connections and Settings:**

1. Daisy chain your units via the XLR connector on the rear of the unit. Use standard XLR data cables to link your units together. Remember that the Male XLR connector is the input and the Female XLR connector is the output. The first unit in the chain (primary) will use the female XLR connector only. The last unit in the chain will use the male XLR connector only.
2. Connect the first "Secondary" unit to the "Primary."
3. **"Primary" Unit:** Activate the "Primary" setting located in the **"PERSNLTY"** menu.  
**"Secondary" Unit(s):** Activate the "Secondary" setting located in the **"PERSNLTY"** menu.
4. Set the "Primary" unit to your desired mode of operation.
5. The secondary unit(s) will now follow the primary unit.

The **UC IR** infrared remote gives you control of various functions (See below). To control the fixture you must aim the remote at the front of the fixture and be no more than 30 feet away.

The **Airstream IR** remote transmitter plugs into the headphone jack of your iOS phone or tablet. To control your IR fixture you must raise the volume to the maximum on your iOS phone or tablet and aim the transmitter at the fixture sensor and be no more than 15 feet away. The app is a free download from the app store for your iOS phone or tablet. The app comes with 3 pages of control depending on the fixture you are using. Please see below for the IR functions.

		Stand by
Full ON	Fade/Gobo	
Strobe	Color	
1	2	3
4	5	6
7	8	9
SoundOn	Show 0	SoundOff



**Works with App page 1**

**STAND BY** - Pressing this button will blackout the fixture. Press the button again to return to the initial state.

**FULL ON** - Press this button down to fully light up the unit. Press any button to exit this mode..

**FADE/GOBO** - This button activate’s the internal program mode. Use the numeral buttons 0-9 to select the program number (0-16). Use the dimmer buttons to adjust the output intensity.

**NOTE:** Running speed and fade speed is not adjustable using the IR control functions.

**“DIMMER +” and “DIMMER -”** - Use these buttons to adjust the output intensity.

**STROBE** - Press this button to activate and deactivate strobing. Use buttons 1-4 to adjust the strobe speed. “1” being the slowest, “4” being the fastest. Press this button again to stop strobing.

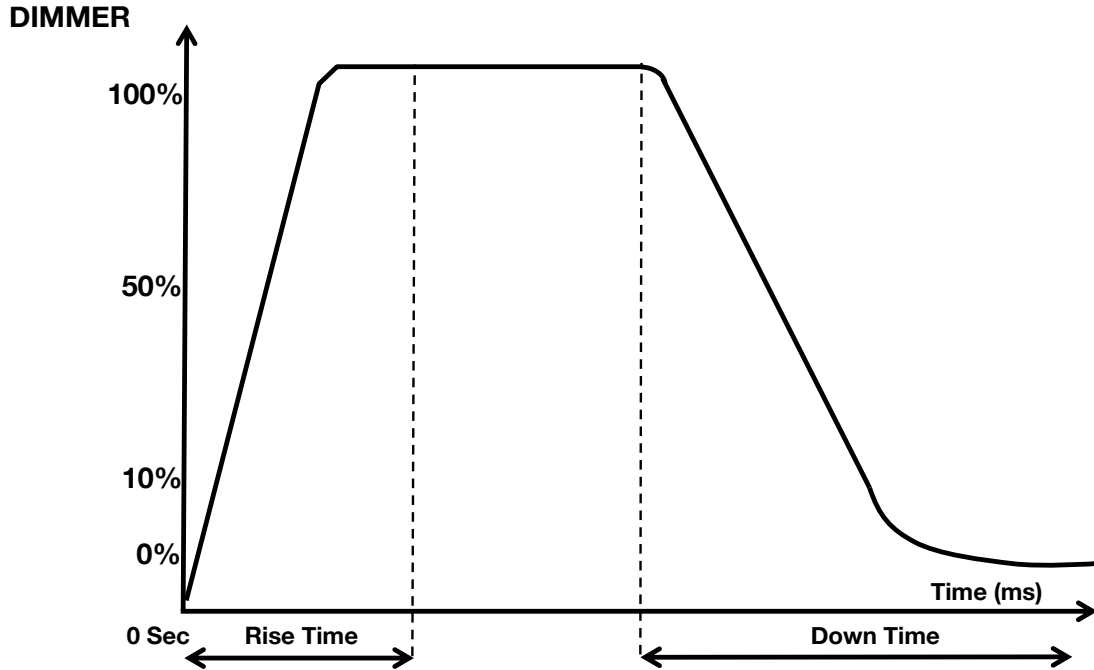
**COLOR** - Press this button to activate color macro mode. Use the numeral buttons 1-9 to select your desired color (0-64). Use the dimmer buttons to adjust the output intensity.

**Example:** Press the numeral buttons “1+3” to activate color “13”.

**SOUND ON & OFF** - Use these buttons to activate and deactivate sound active mode. Use the dimmer buttons to adjust the output intensity.

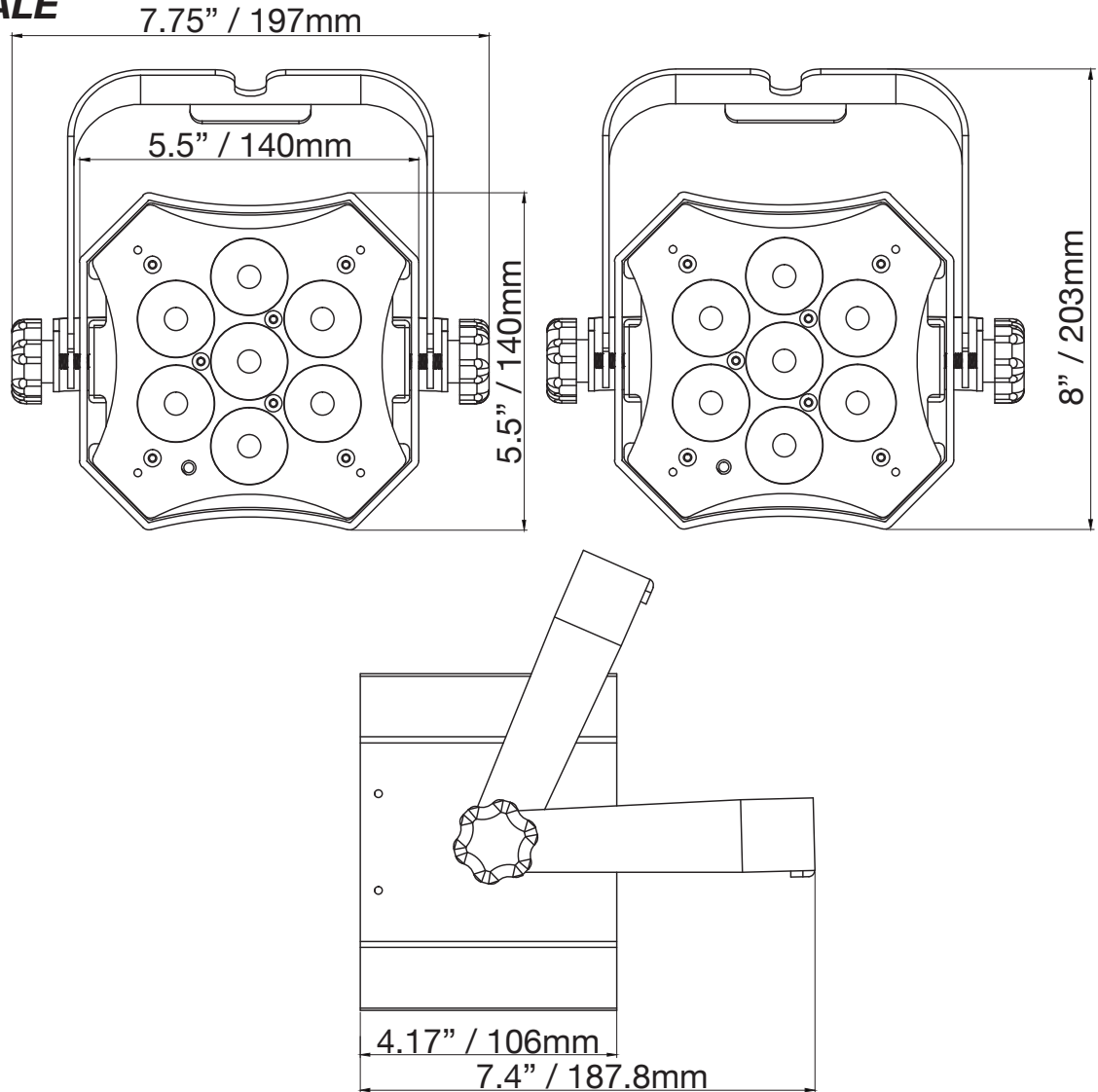
**NOTE:** Sound sensitivity is not adjustable using the IR control functions.

**SHOW 0** - Press this button to select show “0” or color “0” when either internal program mode or color macro mode is active.

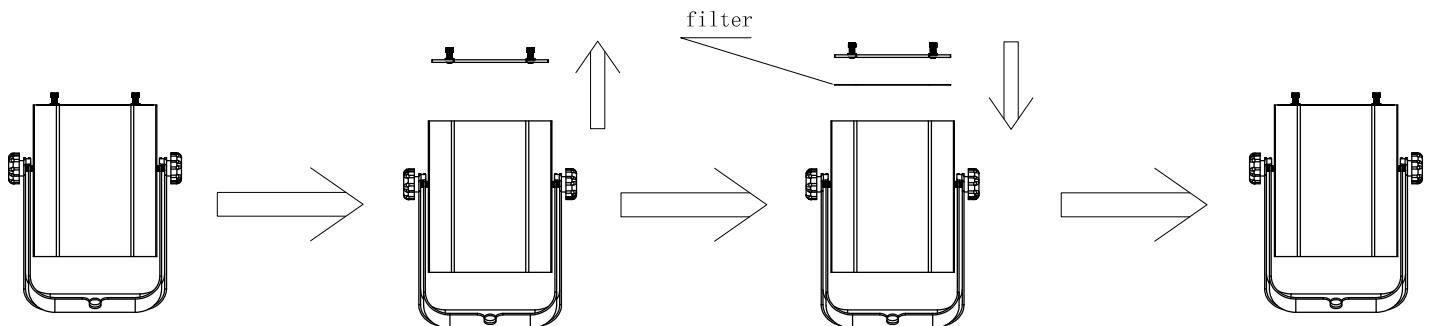


Dimming Curve Ramp Effect	0 sec Fade Time		1 sec Fade Time	
	Rise Time (ms)	Down Time (ms)	Rise Time (ms)	Down Time (ms)
Standard (default)	0	0	0	0
Stage	780	1100	1540	1660
TV	1180	1520	1860	1940
Architectural	1380	1730	2040	2120
Theatre	1580	1940	2230	2280
Stage 2	0	1100	0	1660

**\*NOT TO SCALE**



The MOD STQ comes with 3 interchangeable frost filters. The degree of the individual filters is stamped into the corner of each filter. To install the frost filter unscrew the four thumb screws holding the lens in place. Remove the lens and install the filter inside the unit. Line up the thumb screw holes on the edges of filter with screw holes of the unit. Screw the thumb screws back into place securing the frost filter and lens. For help contact ADJ Customer Support.



With this feature you can connect the fixtures to one another using the power cable input and output sockets.

**NOTE: USE CAUTION WHEN POWER LINKING OTHER FIXTURES AS THE POWER CONSUMPTION OF OTHER MODEL FIXTURES MAY EXCEED THE MAX POWER OUTPUT ON THIS FIXTURE! CHECK SILK SCREEN FOR MAX AMPS.**

Listed below are a few common problems the user may encounter, with solutions.

***Unit not responding to DMX:***

1. Check that the DMX cables are connected properly and are wired correctly (pin 3 is “hot”; on some other DMX devices pin 2 may be ‘hot’). Also, check that all cables are connected to the right connectors; it does matter which way the inputs and outputs are connected.

***Unit does not respond to sound:***

1. Quiet or high pitched sounds will not activate the unit.
2. Make sure that Sound mode is activated.

Due to fog residue, smoke, and dust cleaning the internal and external optical lenses must be carried out periodically to optimize light output.

1. Use normal glass cleaner and a soft cloth to wipe down the outside casing.
  2. Clean the external optics with glass cleaner and a soft cloth every 20 days.
  3. Always be sure to dry all parts completely before plugging the unit back in.
- Cleaning frequency depends on the environment in which the fixture operates (i.e. smoke, fog residue, dust, dew).

**MANUFACTURER'S LIMITED WARRANTY**

- A. ADJ Products, LLC hereby warrants, to the original purchaser, ADJ Products, LLC products to be free of manufacturing defects in material and workmanship for a prescribed period from the date of purchase (see specific warranty period on reverse). This warranty shall be valid only if the product is purchased within the United States of America, including possessions and territories. It is the owner's responsibility to establish the date and place of purchase by acceptable evidence, at the time service is sought.
- B. For warranty service you must obtain a Return Authorization number (RA#) before sending back the product—please contact ADJ Products, LLC Service Department at 800-322-6337. Send the product only to the ADJ Products, LLC factory. All shipping charges must be pre-paid. If the requested repairs or service (including parts replacement) are within the terms of this warranty, ADJ Products, LLC will pay return shipping charges only to a designated point within the United States. If the entire instrument is sent, it must be shipped in its original package. No accessories should be shipped with the product. If any accessories are shipped with the product, ADJ Products, LLC shall have no liability whatsoever for loss of or damage to any such accessories, nor for the safe return thereof.
- C. This warranty is void if the serial number has been altered or removed; if the product is modified in any manner which ADJ Products, LLC concludes, after inspection, affects the reliability of the product; if the product has been repaired or serviced by anyone other than the ADJ Products, LLC factory unless prior written authorization was issued to purchaser by ADJ Products, LLC; if the product is damaged because not properly maintained as set forth in the instruction manual.
- D. This is not a service contract, and this warranty does not include maintenance, cleaning or periodic check up. During the period specified above, ADJ Products, LLC will replace defective parts at its expense with new or refurbished parts, and will absorb all expenses for warranty service and repair labor by reason of defects in material or workmanship. The sole responsibility of ADJ Products, LLC under this warranty shall be limited to the repair of the product, or replacement thereof, including parts, at the sole discretion of ADJ Products, LLC. All products covered by this warranty were manufactured after August 15, 2012, and bear identifying marks to that effect.
- E. ADJ Products, LLC reserves the right to make changes in design and/or improvements upon its products without any obligation to include these changes in any products theretofore manufactured.

No warranty, whether expressed or implied, is given or made with respect to any accessory supplied with products described above. Except to the extent prohibited by applicable law, all implied warranties made by ADJ Products, LLC in connection with this product, including warranties of merchantability or fitness, are limited in duration to the warranty period set forth above. And no warranties, whether expressed or implied, including warranties of merchantability or fitness, shall apply to this product after said period has expired. The consumer's and/or Dealer's sole remedy shall be such repair or replacement as is expressly provided above; and under no circumstances shall ADJ Products, LLC be liable for any loss or damage, direct or consequential, arising out of the use of, or inability to use, this product.

This warranty is the only written warranty applicable to ADJ Products, LLC Products and supersedes all prior warranties and written descriptions of warranty terms and conditions heretofore published.

**MANUFACTURER'S LIMITED WARRANTY PERIODS:**

- **Non L.E.D. Lighting Products = 1-year (365 days) Limited Warranty** (Such as: Special Effect Lighting, Intelligent Lighting, UV lighting, Strobes, Fog Machines, Bubble Machines, Mirror Balls, Par Cans, Trussing, Lighting Stands etc. excluding LED and lamps)
- **Laser Products = 1 Year (365 Days) Limited Warranty** (excluding laser diodes which have a 6 month limited warranty)
- **L.E.D. Products = 2-year (730 days) Limited Warranty** (excluding batteries which have a 180 day limited warranty).  
**Note: 2 Year Warranty only applies to purchases within the United States.**
- **StarTec Series = 1 Year Limited Warranty** (excluding batteries which have a 180 day limited warranty).
- **ADJ DMX Controllers = 2 Year (730 Days) Limited Warranty**



**Model: MOD STQ**

Voltage:	100V ~ 240V/50~60Hz
LEDs:	7 x 8W 4-in-1 RGBW LED's
Working Position:	Any safe working position
Power Draw:	57W
Weight:	4.3 lbs./ 1.95 Kgs.
Dimensions:	7.75" (L) x 7.4" (W) x 8" (H) 197 x 187.8 x 203mm
Colors:	RGBW Color Mixing
DMX Channels:	4/5/7/8/9/12/13/15
Warranty:	2 Year (730 days)

**Please Note:** Specifications and improvements in the design of this unit and this manual are subject to change.