

DOUBLE WIDE POCKET



VERTICAL SLANT POCKET



PROUDLY MADE IN THE U.S.A.

REVISIONS

REV

DESCRIPTION

DATE

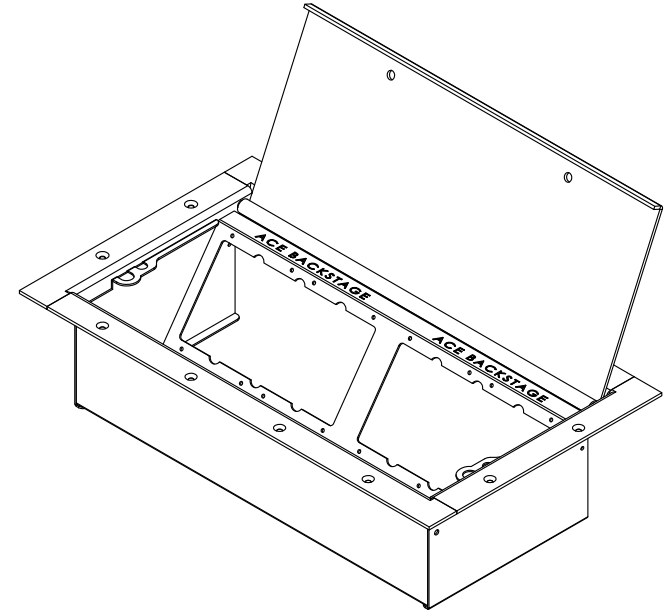
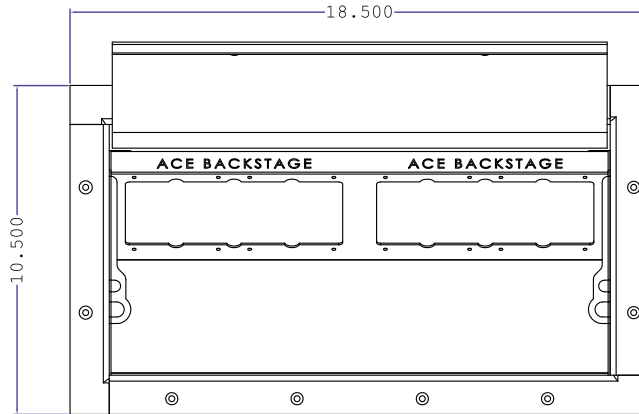


ACE BACKSTAGE CO., INC. - STAGE POCKET SYSTEMS

www.acebackstage.com

SHOWN WITH STANDARD LID

MODEL NUMBERS:	DESCRIPTION:
124SLBK	STANDARD LID / BLACK
124CLBK	CARPET LID / BLACK
124SLCV	STANDARD LID / COPPER VEIN
124CLCV	CARPET LID / COPPER VEIN
224SLBR	STANDARD LID / SOLID BRASS
224CLBR	CARPET LID / SOLID BRASS
324SLSS	STANDARD LID / STAINLESS STEEL
324CLSS	CARPET LID / STAINLESS STEEL



CONNECTRIX PANELS (4 PER POCKET)

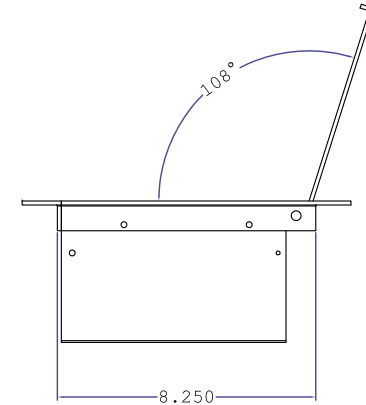
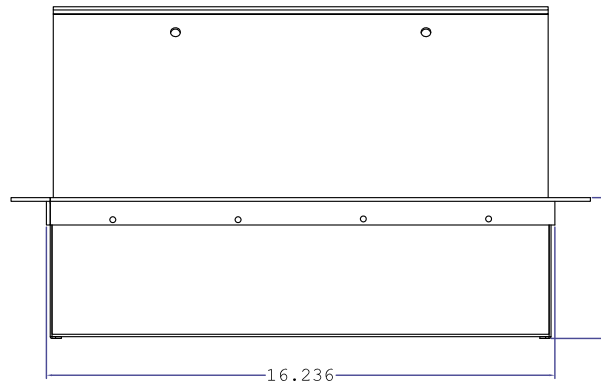
PNL-106 PNL-105 PNL-104
PNL-103 PNL-102 PNL-107
PE** PNL-100

* ADDITIONAL PANELS AVAILABLE. VISIT OUR WEBSITE AT:
www.acebackstage.com/abc_pages/panels_ace.html
FOR ADDITIONAL PANEL CHOICES.

CONNECTRIX CONNECTORS (UP TO 24 SPACES)

(1) SPACE (2) SPACE (3) SPACE

*FOR A COMPLETE LIST OF ACE CONNECTRIX CONNECTORS, VISIT OUR WEBSITE AT
www.acebackstage.com/abc_pages/connectrix_connectors.html



APPROVALS	DATE
DRAWN JM	08/04/11
CUSTOMER APPROVAL	



ALL DIMENSIONS ARE FOR REFERENCE ONLY. UNLESS OTHERWISE SPECIFIED ALL DIMENSIONS ARE IN INCHES.

BEZEL/LID FINISH, MATERIALS:
*BLACK ELECTROSTATIC POWDER COAT, 11 GA CRS *COPPERVEIN ELECTROSTATIC POWDER COAT, 11 GA CRS *SOLID BRASS HALF HARD, 11 GA *SOLID STAINLESS STEEL HALF HARD, 11 GA
POCKET BODY
16 GAUGE CRS

ITEM:	124XXYY/224XXYY/324XXYY
DESCRIPTION:	CAPACITY: UP TO (24) CONNECTORS OR (6) DUPLEX OUTLETS. COMPATIBLE WITH 104 SERIES DOUBLE WIDE BACK BOXES OR 24 SERIES DOUBLE WIDE BACK ACCESS COVERS.
REV	1
SHEET	1 OF 1